



CATALOG OF REPLACEMENT PARTS



MODEL HGC GAS CONVEYOR OVEN

HGC3018 ML-136016

HGC4018 ML-136017

PRIOR MLS COVERED IN THE CATALOG

HGC3018 ML-126180

HGC4018 ML-126181

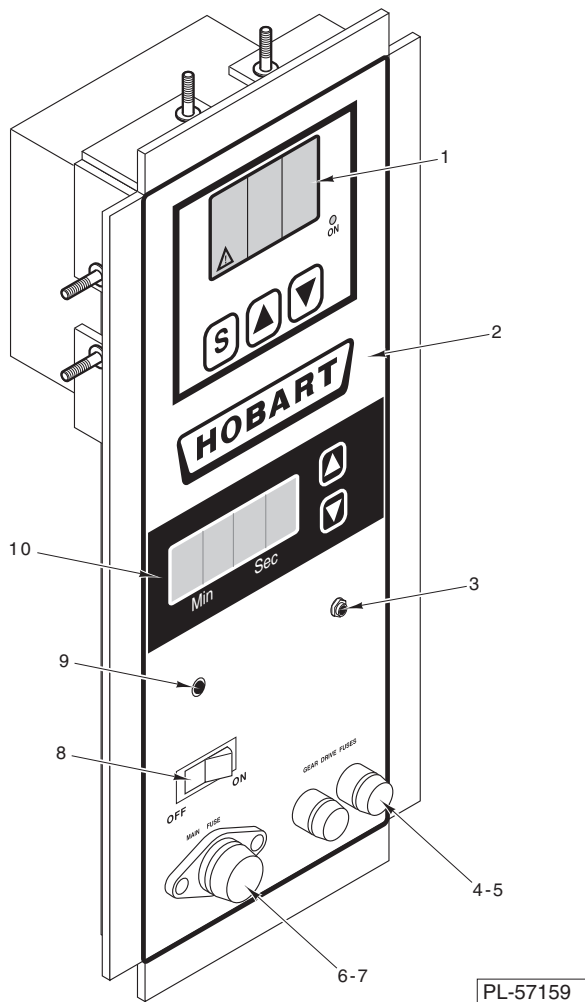
HGC3632 ML-126183

HGC4832 ML-126185

HGC6032 ML-126187

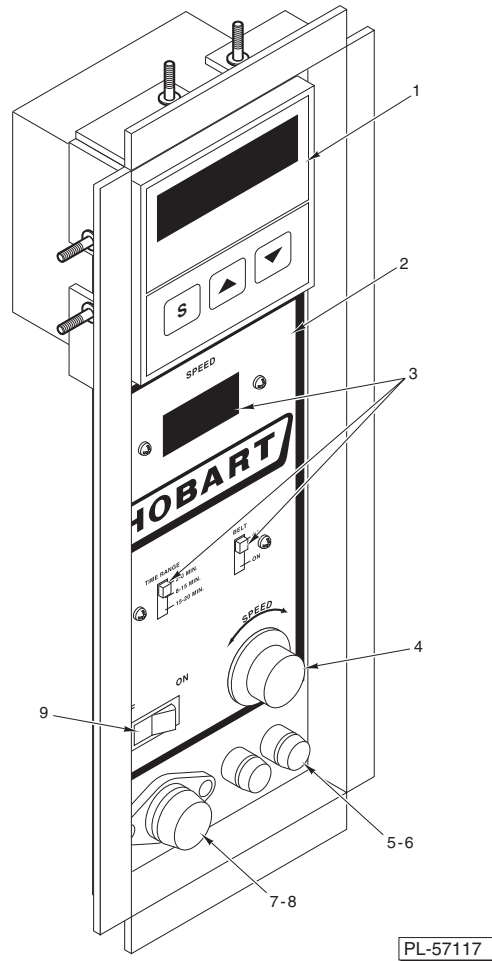
Table of Contents

Page	Description
3	Control Panel (ML-136016 and ML-136017)
4	Control Panel (ML-126180, ML-126181, ML-126183, ML-126185, and ML-126187)
5	Front Access Panels
7	Panels and Ducts
9	Conveyor Assembly
10	Control Plate Assembly
11	Gas Burner Unit
13	Conveyor Drive Motor
15	Blower Motor and Fan
16	Accessories and Legs



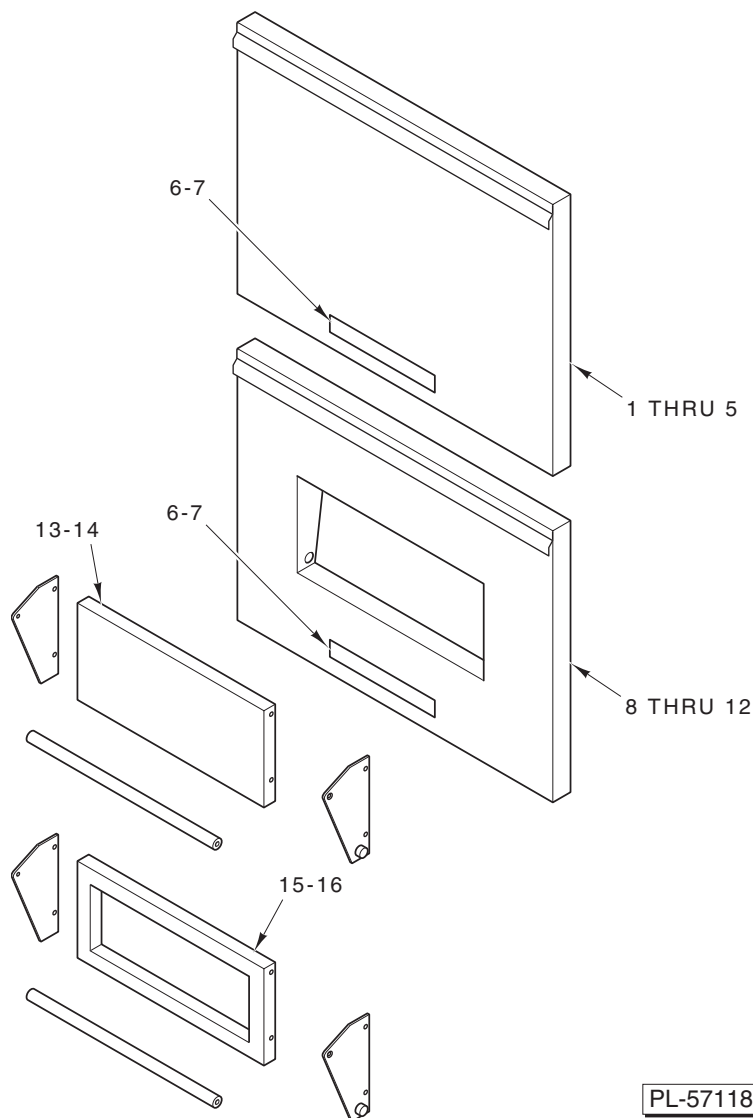
**CONTROL PANEL
(ML-136016 AND ML-136017)**

ILLUS.	PART	NAME OF PART	AMT.
PL-57159			
1	00-425058-00001	Controller – Temperature (Oven)	1
2	00-855341-00012	Overlay – Hobart	1
3	00-855341-00010	Reset Button – High Limit	1
4	00-425535-00001	Holder – Fuse (Drive Motor)	2
5	FE-022-29	Fuse (250 V.) (1 Amp.)	2
6	00-425537-00001	Holder – Fuse (Control Circuit)	1
7	00-425538-00001	Fuse (25 Amp.) (Control Circuit)	1
8	00-425451-00001	Switch – ON/OFF	1
9	00-855341-00011	Lamp – Neon (High Limit Indicator)	1
10	00-427766-00001	Board – Speed Control	1
	00-425876-00001	Sleeve – Wrap (Polyethylene)	1
	00-402558-00004	Clip – Tubing	1
	SD-029-04	Self-Tapping Screw 8-32 x 3/8 Phil. Truss Hd., Type F	1
	00-425059-00001	Thermocouple (Oven)	1
	00-855341-00007	Hi-Limit Control (W/Time Delay)	1
	00-855341-00009	Thermocouple (Hi-Limit)	1
	00-855341-00008	Control – Relay Power (W/Heatsink)	1



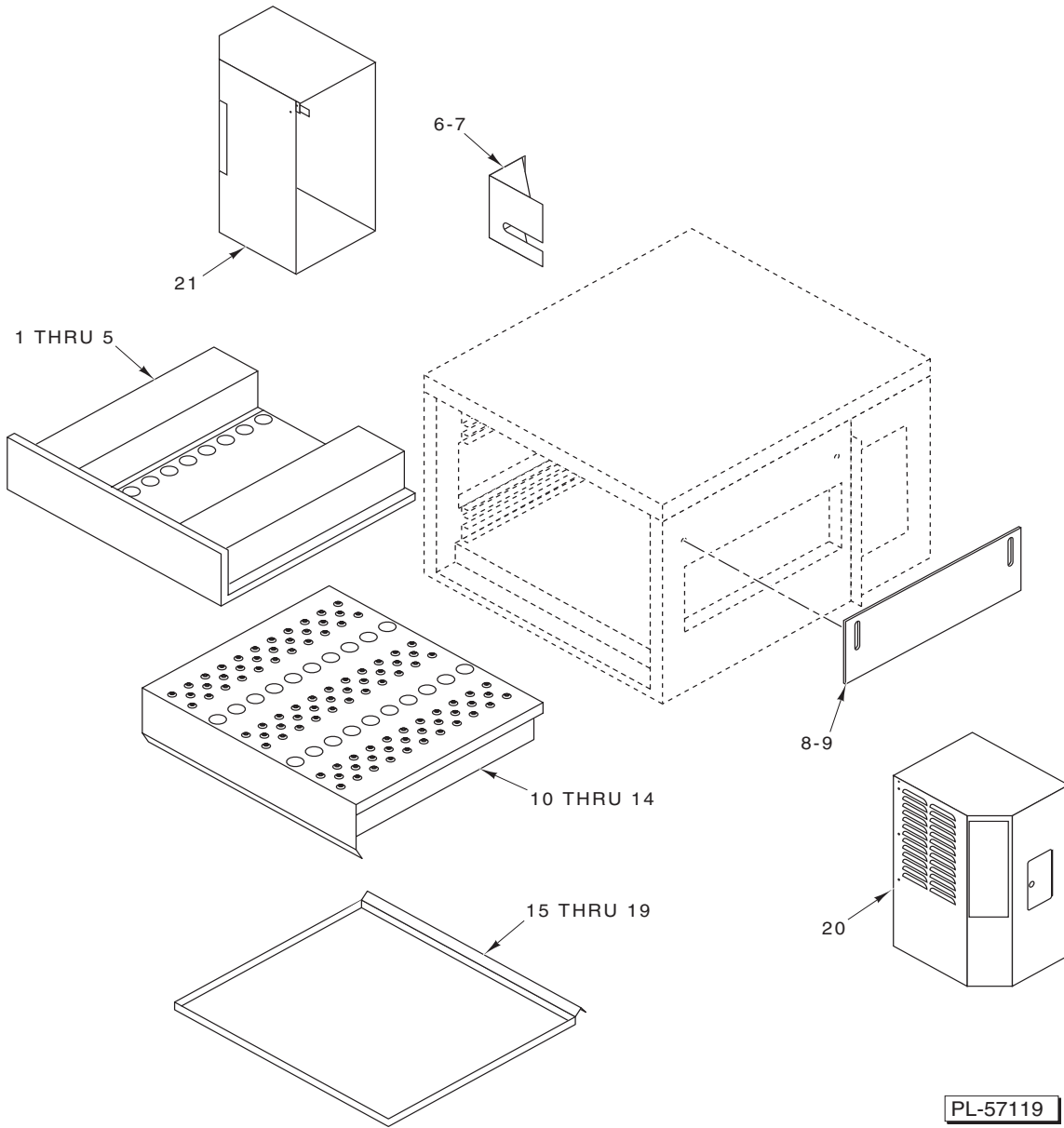
**CONTROL PANEL
(ML-126180, ML-126181, ML-126183, ML-126185, AND ML-126187)**

ILLUS. PL-57117	PART	NAME OF PART	AMT.
1	00-425058-00001	Temperature Controller	1
2	00-425061-00001	Decal – Hobart	1
3	00-425063-00001	Speed Control Board *See Note Below	1
4	00-425062-00001	Knob – Speed Control	1
5	00-425535-00001	Fuse Holder (Drive Motor)	2
6	FE-022-29	Fuse – (250 V.) (1 Amp.)	2
7	00-425537-00001	Fuse Holder – (Control Circuit)	1
8	00-425538-00001	Fuse – (25 Amp.) Control Circuit	1
9	00-425451-00001	Switch – ON/OFF	1
	00-425059-00001	Thermocouple	1
	00-425876-00001	Sleeve – Wrap (Polyethylene)	1
	00-402558-00004	Clip – Tubing	1
	SD-029-04	Self-Tapping Screw 8-32 x 3/8 Phil. Truss Hd., Type F	1
		Note:	
		425063-1 Speed Control Board (Use on Machines Before April 1, 2000)	
		426559-1 Speed Control Board (Use on Machines After April 1, 2000 to Serial Number CP1000310)	
		427766-1 Speed Control Board (Use on Machines After Serial Number CP1000310)	



FRONT ACCESS PANELS

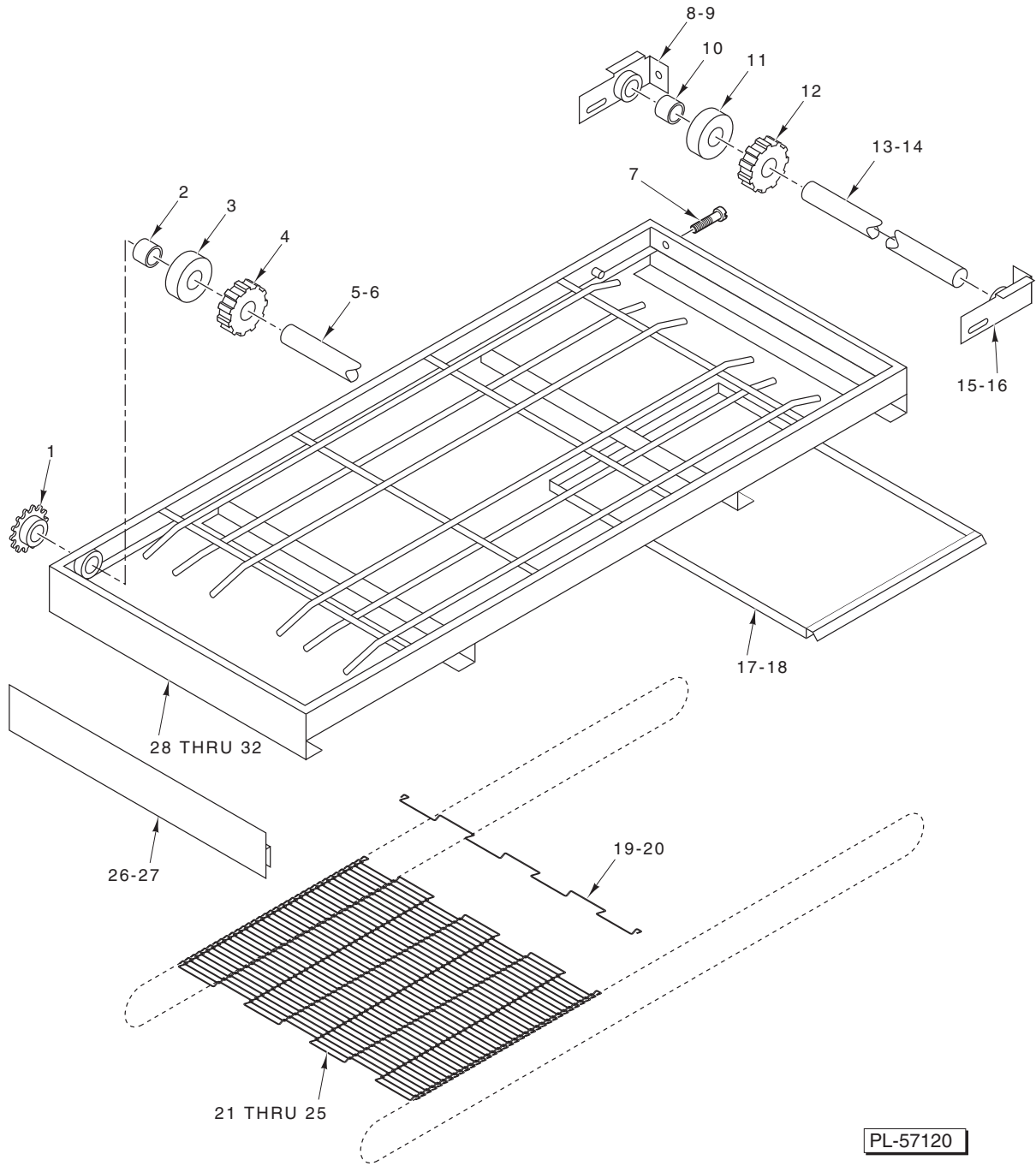
ILLUS. PL-57118	PART NO.	NAME OF PART	AMT.
1	00-426773-000G1	Front Access Panel (ML-126180 & ML-136016).....	1
2	00-426777-000G1	Front Access Panel (ML-126181 & ML-136017).....	1
3	00-426300-000G1	Front Access Panel (ML-126183).....	1
4	00-426300-000G2	Front Access Panel (ML-126185).....	1
5	00-426300-000G3	Front Access Panel (ML-126187).....	1
6	00-418959-00001	Nameplate – Hobart.....	1
7	00-425982-00001	Receptacle – Stud.....	2
8	00-426781-000G1	Front Access Panel (ML-126180 & ML-136016).....	1
9	00-426786-000G1	Front Access Panel (ML-126181 & ML-136017).....	1
10	00-426363-000G1	Front Access Panel (ML-126183).....	1
11	00-426363-000G2	Front Access Panel (ML-126185).....	1
12	00-426363-000G3	Front Access Panel (ML-126187).....	1
13	00-427192-000G1	Front Sandwich Door – (SST) (ML-126180, ML-126181, ML-136016, & ML-136017).....	1
14	00-425553-000G1	Front Sandwich Door – (SST) (ML-126183, ML-126185, & ML-126187).....	1
15	00-427188-000G1	Front Sandwich Door – Glass (ML-126180, ML-126181, ML-136016, & ML-136017).....	1
16	00-426375-000G1	Front Sandwich Door – Glass (ML-126183, ML-126185, & ML-126187).....	1



PANELS AND DUCTS

PANELS AND DUCTS

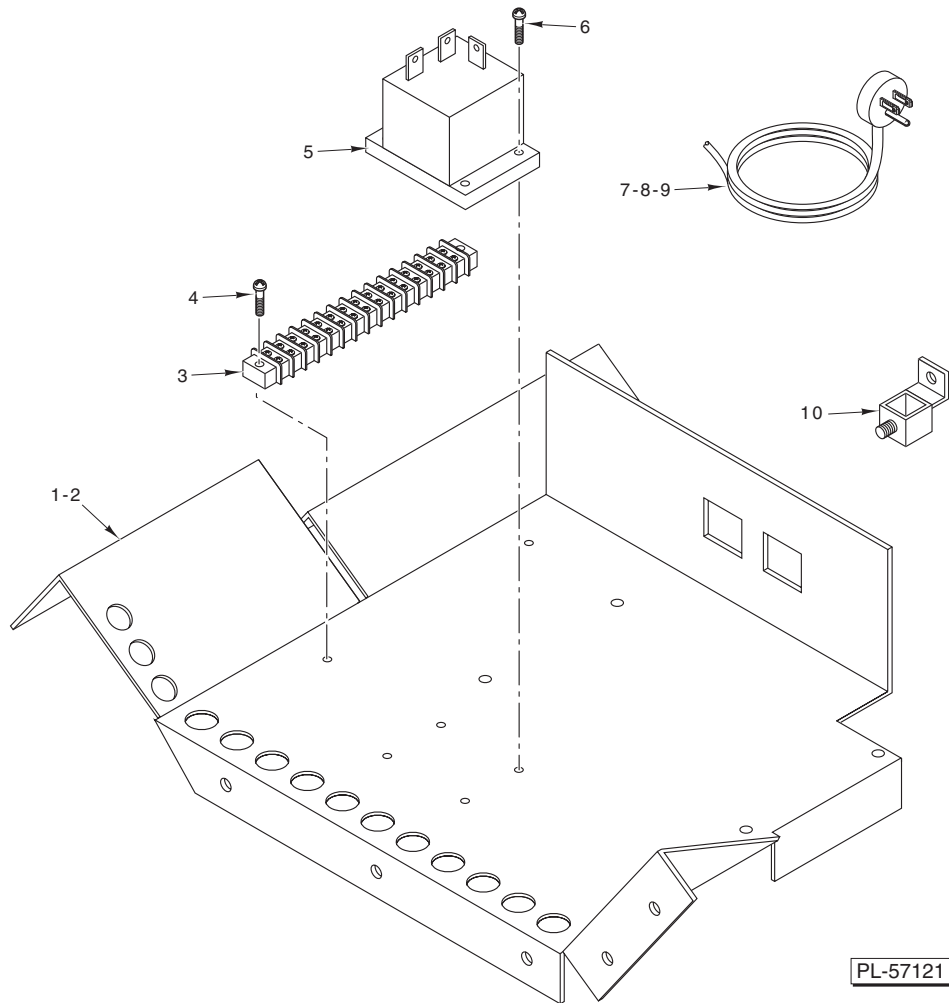
ILLUS. PL-57119	PART NO.	NAME OF PART	AMT.
1	00-425483-000G1	Top – Air Distribution Panel (ML-126180 & ML-136016)	1
2	00-425574-000G1	Top – Air Distribution Panel (ML-126183)	1
3	00-425483-000G2	Top – Air Distribution Panel (ML-126181 & 136017)	1
4	00-425579-000G2	Top – Air Distribution Panel (ML-126185)	1
5	00-425585-000G2	Top – Air Distribution Panel (ML-126187)	1
6	00-427022-000G1	Chain Cover Assy. (ML-126180, ML-126181, ML-136016, & ML-136017)	1
7	00-427022-000G2	Chain Cover Assy. (ML-126183, ML-126185, & ML-126187)	1
8	00-427021-000G1	Tunnel Curtain (18") (ML-126180, ML-126181, ML-136016, & ML-136017)	2
9	00-425576-000G1	Tunnel Curtain (32") (ML-126183, ML-126185, & ML-126187)	2
10	00-425485-000G1	Bottom – Air Distribution Panel ML-126180 & ML-136016)	1
11	00-425575-000G2	Bottom – Air Distribution Panel ML-126183)	1
12	00-425485-000G2	Bottom – Air Distribution Panel (ML-126181 & ML-136017)	1
13	00-425580-000G2	Bottom – Air Distribution Panel (ML-126185)	1
14	00-425586-000G2	Bottom – Air Distribution Panel (ML-126187)	1
15	00-425481-00001	Tray – Crumb (Inside Oven) (ML-126180 & ML-136016)	1
16	00-425573-00001	Tray – Crumb (Inside Oven) (ML-126183)	1
17	00-425481-00002	Tray – Crumb (Inside Oven) (ML-126181 & ML-136017)	1
18	00-425573-00002	Tray – Crumb (Inside Oven) (ML-126185)	1
19	00-425573-00003	Tray – Crumb (Inside Oven) (ML-126187)	1
20	00-425988-000G1	Control Cover Assy. (Right Side)	1
21	00-425724-000G1	Conveyor Drive Motor Cover Assy. (Left Side)	1



CONVEYOR ASSEMBLY

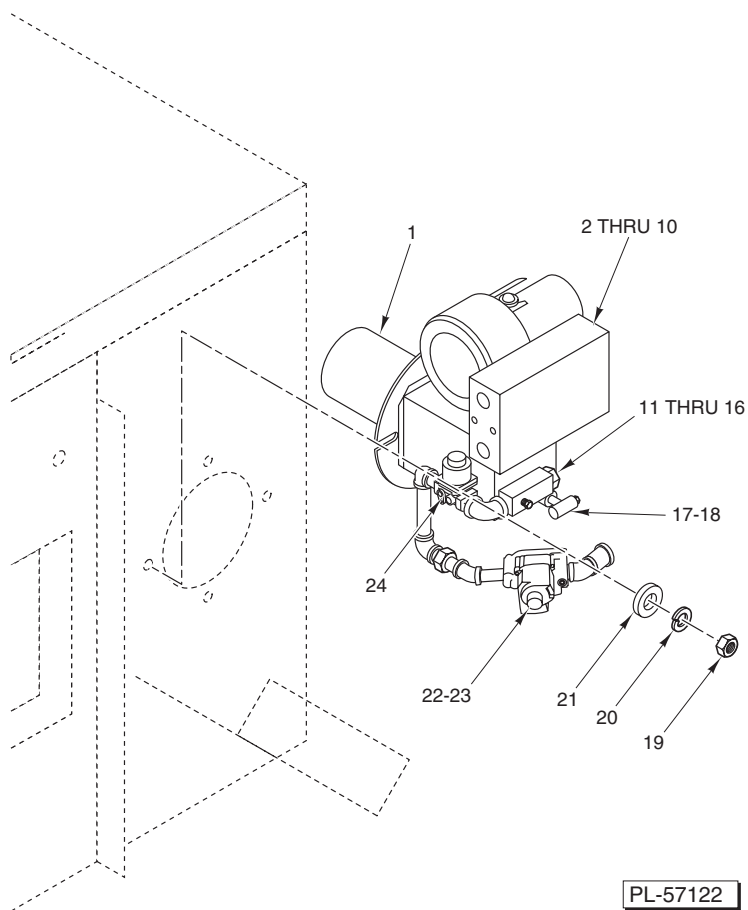
CONVEYOR ASSEMBLY

ILLUS. PL-57120	PART NO.	NAME OF PART	AMT.
1	00-425444-00001	Sprocket – Drive	1
2	00-425446-00001	Bushing – Shaft	2
3	00-425447-00001	Blank – Belt	AR
4	00-425448-00001	Sprocket – Belt	AR
5	00-425445-00001	Shaft – Drive (ML-126180, ML-126181, ML-136016, & ML-136017)	1
6	00-425516-00002	Shaft – Drive (ML-126183, ML-126185, & ML-126187)	1
7	SC-022-36	Mach. Screw 1/4-20 x 1 1/4 Flat Hd.	2
8	00-425673-000G1	Plate – Tensioner (Belt) (ML-126180, ML-126181, ML-136016, & ML-136017)	1
9	00-424482-000G1	Tensioner – Belt (Right) (ML-126183, ML-126185, & ML-126187)	1
10	00-425446-00001	Bushing – Shaft	2
11	00-425447-00001	Blank – Belt	AR
12	00-425448-00001	Sprocket – Belt	AR
13	00-425480-00001	Shaft – Idle (ML-126180, ML-126181, ML-136016, & ML-136017)	1
14	00-425572-00002	Shaft – Idle (ML-126183, ML-126185, & ML-126187)	1
15	00-424482-000G2	Tensioner – Belt (Left) (ML-126183, ML-126185, & ML-126187)	1
16	00-425673-000G1	Plate – Tensioner (Belt) (ML-126180, ML-126181, ML-136016, & ML-136017)	1
17	00-425475-00001	Pan – Crumb (18") (ML-126180, ML-126181, ML-136016, & ML-136017)	2
18	00-425568-00001	Pan – Crumb (32") (ML-126183, ML-126185, & ML-126187)	2
19	00-425476-00001	Splicing Strand (18") (ML-126180, ML-126181, ML-136016, & ML-136017)	2
20	00-425569-00001	Splicing Strand (32") (ML-126183, ML-126185, & ML-126187)	3
21	00-425449-00001	Wire – Belt (18") (ML-126016 & ML-136016)	1
22	00-425520-00001	Wire – Belt (32") (ML-126183)	1
23	00-425477-00001	Wire – Belt (18") (ML-126181 & ML-136017)	1
24	00-425521-00001	Wire – Belt (32") (ML-126185)	1
25	00-425522-00001	Wire – Belt (32") (ML-126187)	1
26	00-425450-00001	Product Stop (ML-126180, ML-126181, ML-136016, & ML-136017)	1
27	00-425527-00001	Product Stop (ML-126183, ML-126185, & ML-126187)	1
28	00-425676-000G1	Conveyor Assy. (ML-126180 & ML-136016)	1
29	00-425571-000G1	Conveyor Assy. (ML-126183)	1
30	00-425677-000G1	Conveyor Assy. (ML-126181 & ML-136017)	1
31	00-425577-000G1	Conveyor Assy. (ML-126185)	1
32	00-425583-000G1	Conveyor Assy. (ML-126187)	1



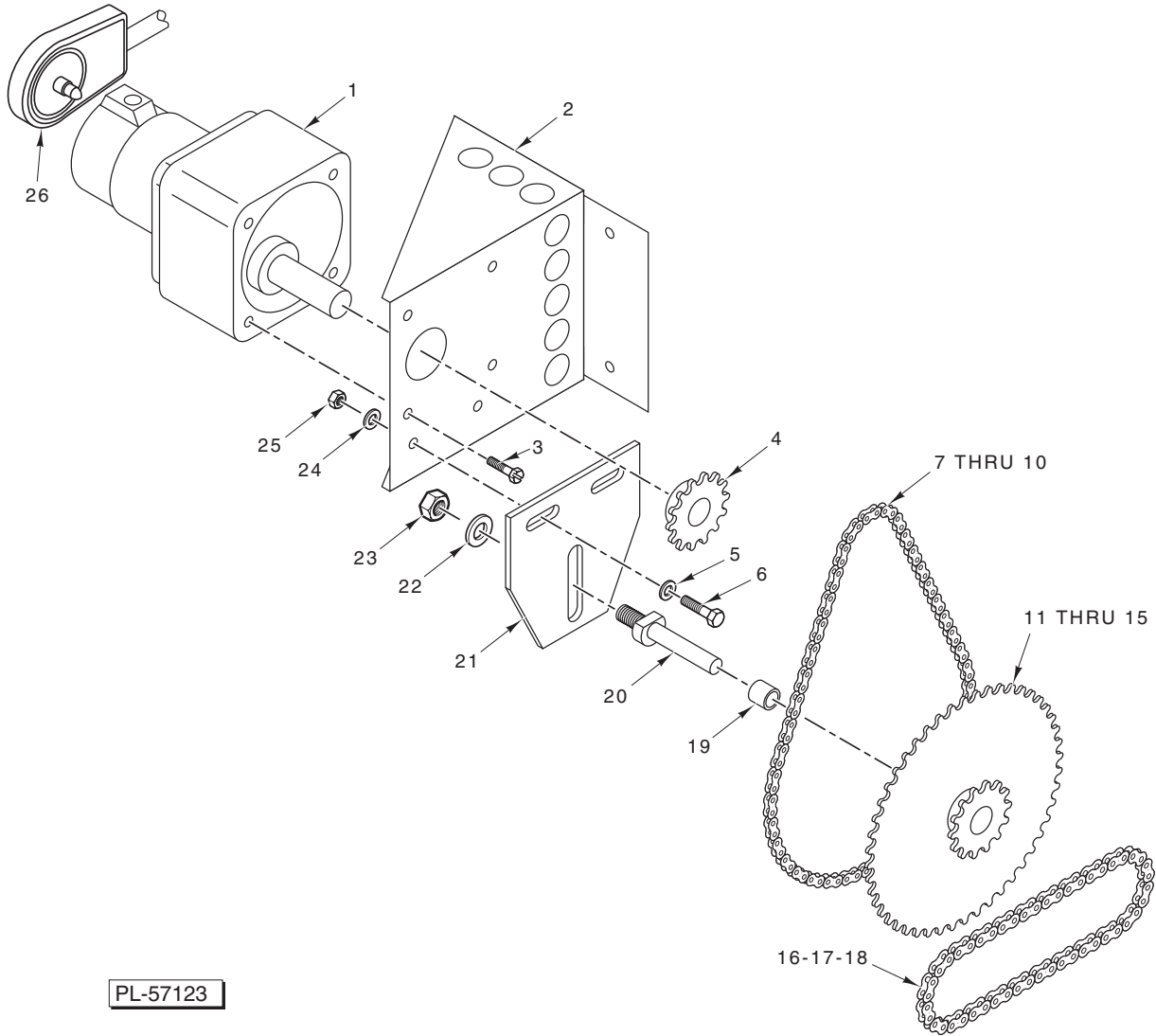
CONTROL PLATE ASSEMBLY

ILLUS. NO.	PART NO.	NAME OF PART	AMT.
1	00-425868-00001	Plate – Gas Mounting (ML-126180, ML-126181, ML-136016, & ML-136017)	1
2	00-426131-000G1	Plate – Gas Mounting (ML-126183, ML-126185, & ML-126187)	1
3	00-425453-00001	Terminal Block (15-Pole) (250 V.)	1
4	SD-036-96	Self-Tapping Screw 8-18 x 3/4 Hex Washer Hd., Type AB	2
4	00-425454-00001	Relay	1
6	SD-036-96	Self-Tapping Screw 8-18 x 3/4 Hex Washer Hd., Type AB	2
7	00-425492-00001	Cord – Power (ML-126180, ML-126181, ML-136016, & ML-136017)	1
8	00-426132-00001	Cord – Power (ML-126183, ML-126185, & ML-126187)	1
9	00-425873-00001	Strain Relief	1
10	00-425455-00001	Lug – Ground	1
	00-426559-00001	Board – Speed Control	1



GAS BURNER UNIT

ILLUS. PL-57122	PART NO.	NAME OF PART	AMT.
1	00-425462-00001	Burner Assy.	1
2	00-425466-00001	Electronic Control – Ignition	1
3	00-425467-00001	Motor (With Centrifugal Switch)	1
4	00-425468-00001	Relay – Motor Switching	1
5	00-425469-00001	Flame Sensor	1
6	00-425470-00001	Spark Electrode	1
7	00-425471-00001	Boot – Flame Sensor	1
8	00-425472-00001	Spark Ignition Wire	1
9	00-425473-00001	Flame Sensor Wire	1
10	00-425474-00001	Transformer (120 V. Primary) (24 V. Secondary)	1
11	00-425463-00001	Orifice #25 (0.1495") (ML-126180, ML-126181, ML-136016, & ML-136017) (NAT)	1
12	00-425463-00002	Orifice #17 (0.1730") (ML-126183) (PRO)	1
13	00-425463-00003	Orifice #8 (0.1990") (ML-126185 & ML-126187) (PRO)	1
14	00-426463-00004	Orifice #A (0.2340") (ML-126183 & ML-126185) (NAT)	1
15	00-425463-00005	Orifice #J (0.2770") (ML-126187) (NAT)	1
16	00-425463-00007	Orifice (0.125") (ML-126180, ML-126181, ML-136016, & ML-136017) (PRO)	1
17	00-425534-00001	Pilot Orifice – (NAT)	1
18	00-425534-00002	Pilot Orifice – (PRO)	1
19	NS-015-13	Nut 3/8-16 Hex	4
20	WL-006-28	Lockwasher 3/8 Medium	4
21	WS-006-33	Washer	4
22	00-425465-00001	Valve – Redundant Type	1
23	00-426295-00001	Tube – Pilot 1/4 x 12" Lg.	1
24	00-425712-00001	Valve – Solenoid	1

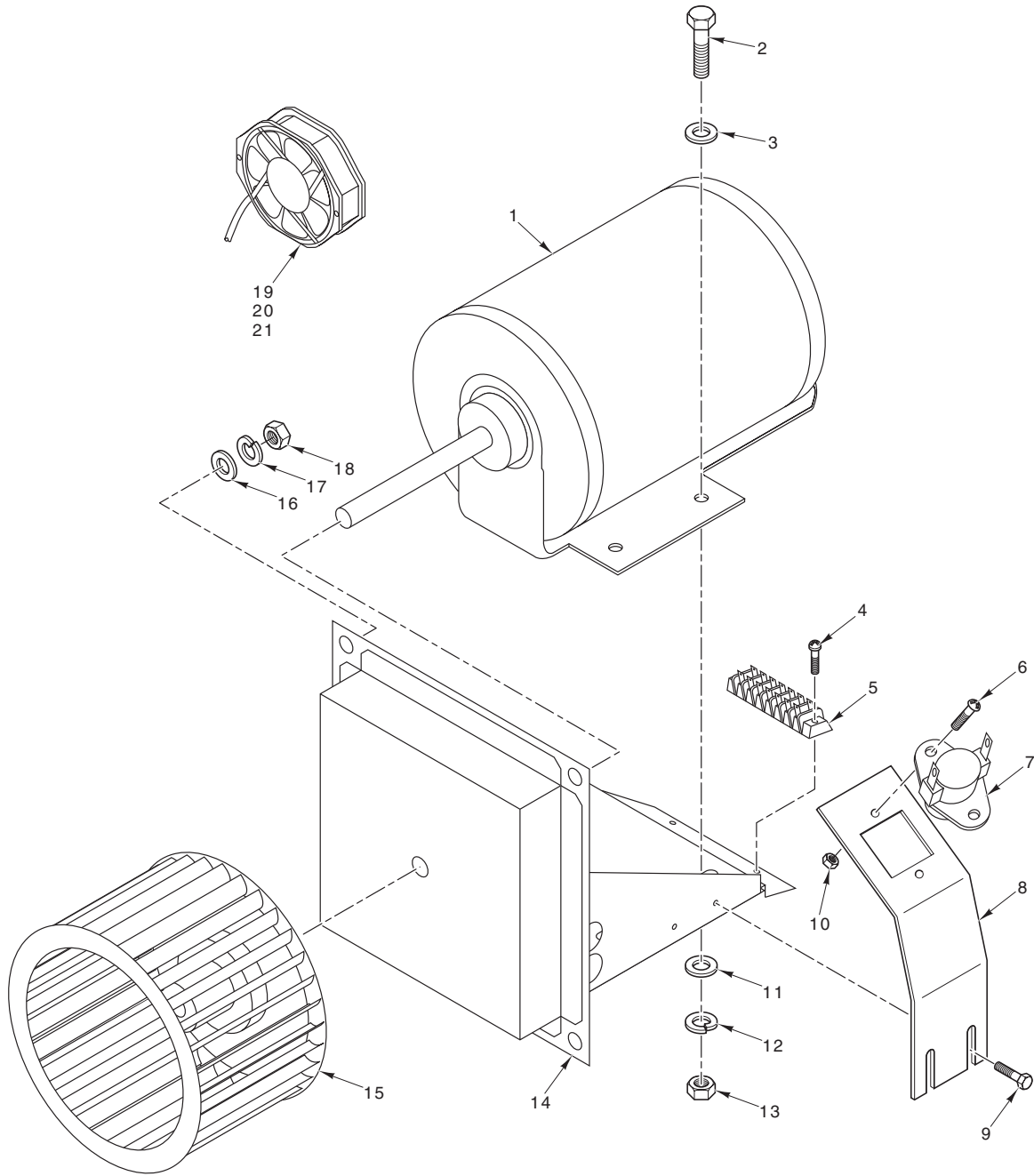


PL-57123

CONVEYOR DRIVE MOTOR

CONVEYOR DRIVE MOTOR

ILLUS. PL-57123	PART NO.	NAME OF PART	AMT.
1	00-427037-00001	Gear Motor	1
2	00-425857-00001	Plate – Gear Motor Mounting	1
3	SC-114-03	Mach. Screw 10-32 x 1/2 Hex Washer Hd.	4
4	00-425072-00001	Sprocket – Large	1
5	WS-003-03	Washer	4
6	SC-110-26	Mach. Screw 1/4-20 x 1 Hex Hd.	2
7	00-425442-00001	Chain – Motor to Reducer (ML-126180, ML-126181, ML-136016, & ML-136017)	1
8	00-425541-00001	Chain – Motor to Reducer (ML-126183)	1
9	00-425543-00001	Chain – Motor to Reducer (ML-126187)	1
10	00-425542-00001	Chain – Motor to Reducer (ML-126185)	1
11	00-425073-00001	Sprocket Assy. – Reducer (ML-126180 & ML-136016)	1
12	00-425539-000G1	Sprocket Assy. – Reducer (ML-126183)	1
13	00-425074-00001	Sprocket Assy. – Reducer (ML-126181 & ML-136017)	1
14	00-425513-000G1	Sprocket Assy. – Reducer (ML-126185)	1
15	00-425514-000G1	Sprocket Assy. – Reducer (ML-126187)	1
16	00-425533-00001	Chain – Reducer to Conveyor (ML-126180, ML-126185, ML-126187, & ML-136016)	1
17	00-426751-00001	Chain – Reducer to Conveyor (ML-126183)	1
18	00-425540-00001	Chain – Reducer to Conveyor (ML-126181 & ML-136017)	1
19	00-425071-00001	Bushing – Reducer	1
20	00-425070-00001	Pin – Sprocket	1
21	00-425858-00001	Support – Gear Reducer	1
22	WS-006-33	Washer	1
23	NS-015-13	Nut 3/8-16 Hex	1
24	WS-006-17	Washer	2
25	NS-013-01	Nut 1/4-20 Hex	2
26	00-426753-00001	Sensor – Speed Control	1
	00-425075-00001	Chain Cover	1



PL-57124

BLOWER MOTOR AND FAN

BLOWER MOTOR AND FAN

ILLUS. PL-55124	PART NO.	NAME OF PART	AMT.
1	00-425052-00001	Motor – Blower (High Temp)	1
2	SC-110-26	Mach. Screw 1/4-20 x 1 Hex Hd.	4
3	WS-003-03	Washer	4
4	SD-036-96	Self-Tapping Screw 8-18 x 3/4 Hex Washer Hd., Type AB	2
5	00-425452-00001	Terminal Block	1
6	SC-060-23	Mach. Screw 4-40 x 1/4 Rd. Hd.	2
7	00-425056-00001	Thermodisc	1
8	00-425055-00001	Support – Thermodisc	1
9	SD-036-96	Self-Tapping Screw 8-18 x 3/4 Hex Washer Hd., Type AB	2
10	NS-044-01	Nut Assy. 4-40 Keps	2
11	WS-003-03	Washer	4
12	WL-006-17	Lockwasher 1/4 Medium	4
13	NS-013-01	Nut 1/4-20 Hex	4
14	00-425851-000G1	Support – Blower Motor Assy.	1
15	00-425053-00001	Blower – Wheel	1
16	WS-006-33	Washer	4
17	WL-006-28	Lockwasher 3/8 Medium	4
18	NS-015-13	Nut 3/8-16 Hex	4
19	00-425064-00001	Axial Fan	1
20	00-425065-00001	Guard – Axial Fan Cover	1
21	00-425066-00001	Cord – Axial Fan	1

ACCESSORIES AND LEGS

ILLUS. PL-53625	PART NO.	NAME OF PART	AMT.
1	00-423745-00001	Leg – (4") Adjustable (SST)	4
2	00-426199-000G1	Leg Assy. (17")	4
3	00-426199-000G2	Leg Assy. (23")	4
4	00-425458-00001	Caster (5") (Use with Items 2 & 3)	4
5	00-425700-000G1	Flexhose (4 Ft.) Strain Relief & Shutoff Valve	AR