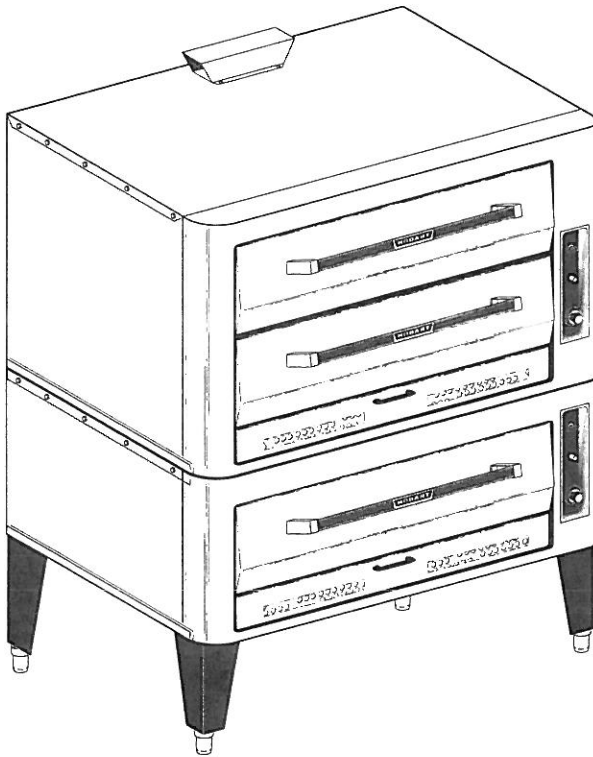




CATALOG OF REPLACEMENT PARTS

MODEL HGSO BAKE & ROAST OVEN SERIES



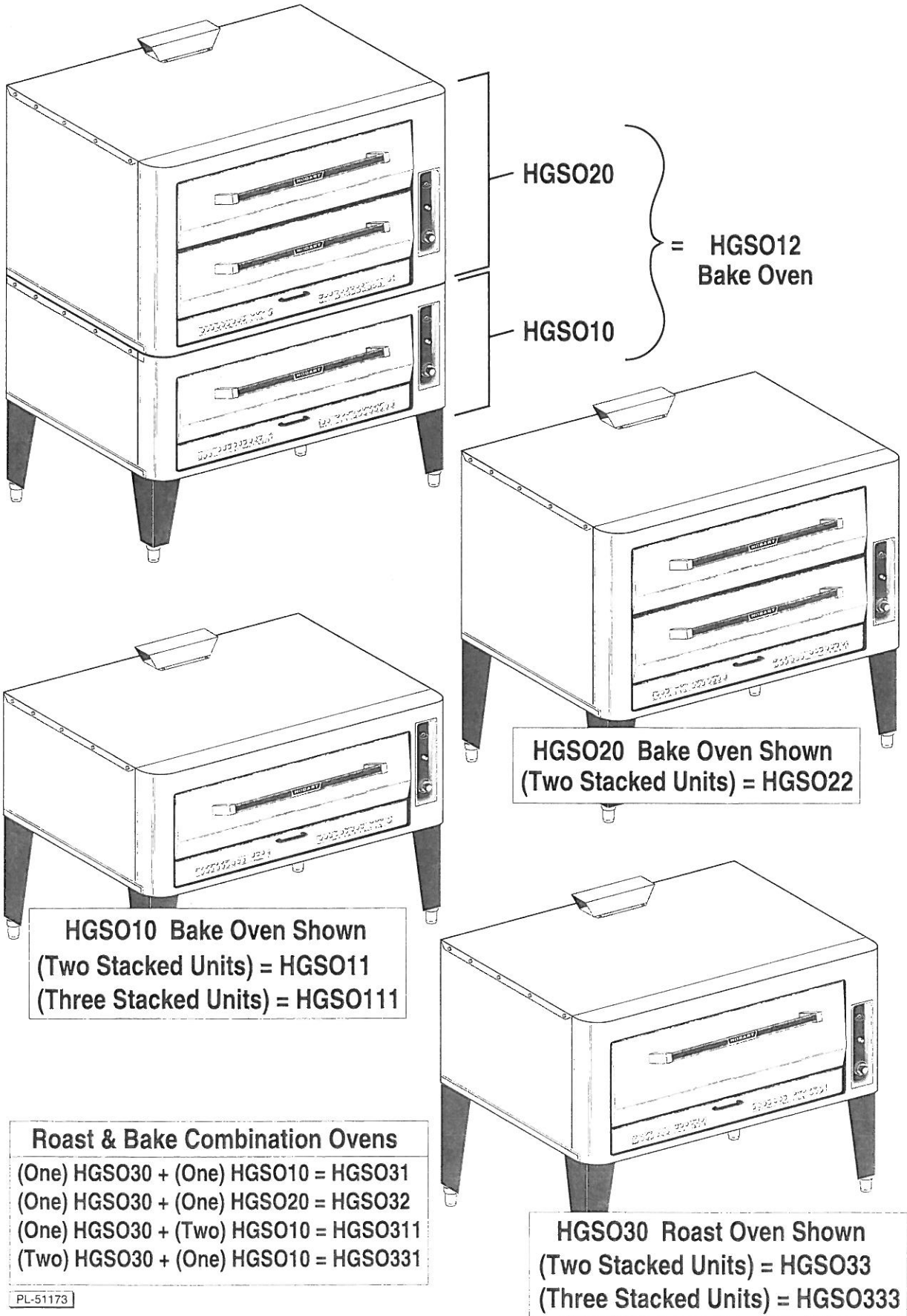
HGSO10	ML-43826
HGSO20	ML-43825
HGSO30	ML-43827

HGSO12 SHOWN

Table of Contents

Page	Description
5	Doors
7	Panels and Legs
9	Oven Cavity
11	Burner and Pilot
13	Piping-Gas
15	Miscellaneous

Note: Quantities are listed per Unit (HGSO10, 20 or 30) unless otherwise stated.
Adjust quantities for stacked oven series models.



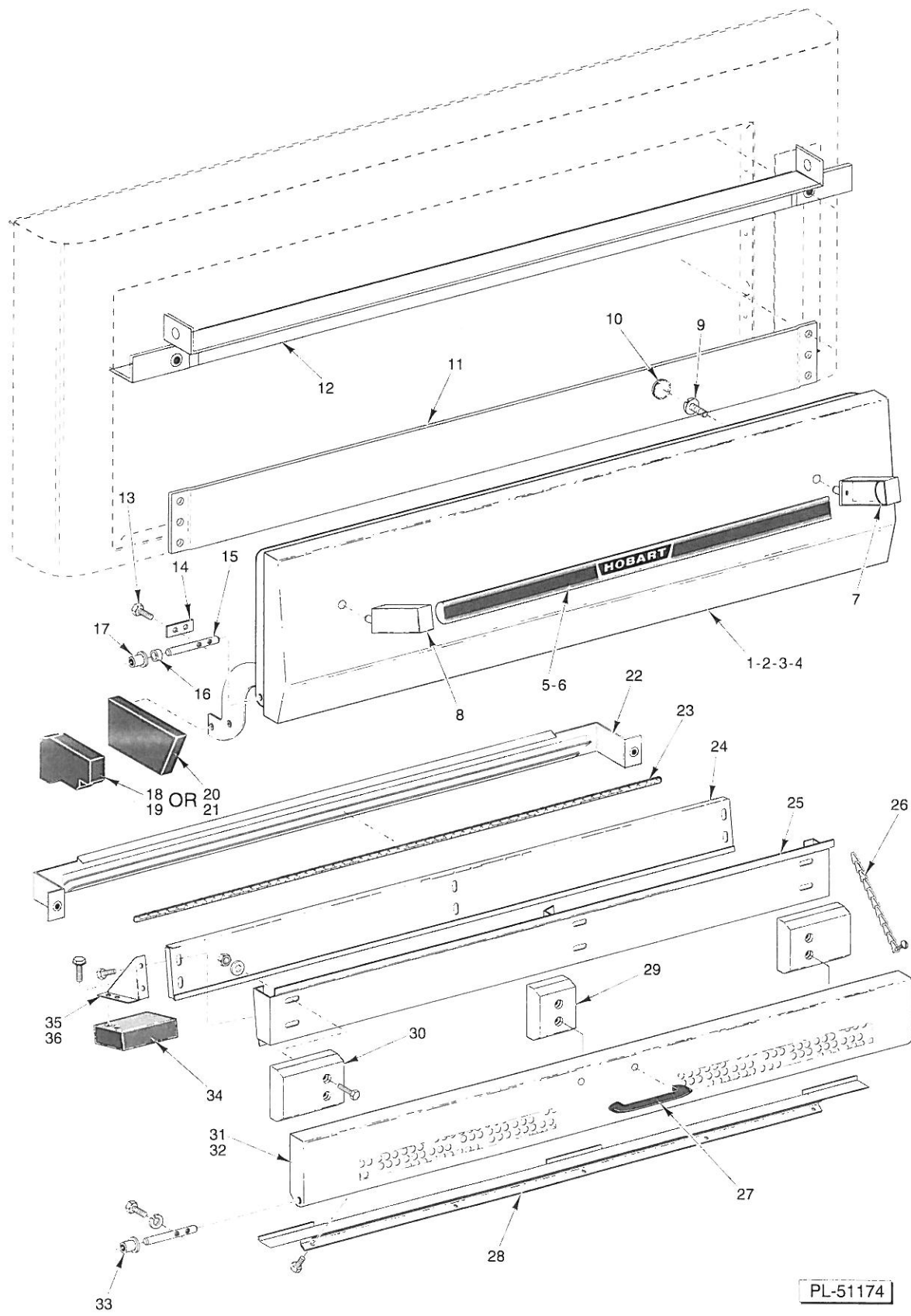
**HGSO10 Bake Oven Shown
(Two Stacked Units) = HGSO11
(Three Stacked Units) = HGSO111**

**HGSO20 Bake Oven Shown
(Two Stacked Units) = HGSO22**

Roast & Bake Combination Ovens
 (One) HGSO30 + (One) HGSO10 = HGSO31
 (One) HGSO30 + (One) HGSO20 = HGSO32
 (One) HGSO30 + (Two) HGSO10 = HGSO311
 (Two) HGSO30 + (One) HGSO10 = HGSO331

**HGSO30 Roast Oven Shown
(Two Stacked Units) = HGSO33
(Three Stacked Units) = HGSO333**

PL-51173



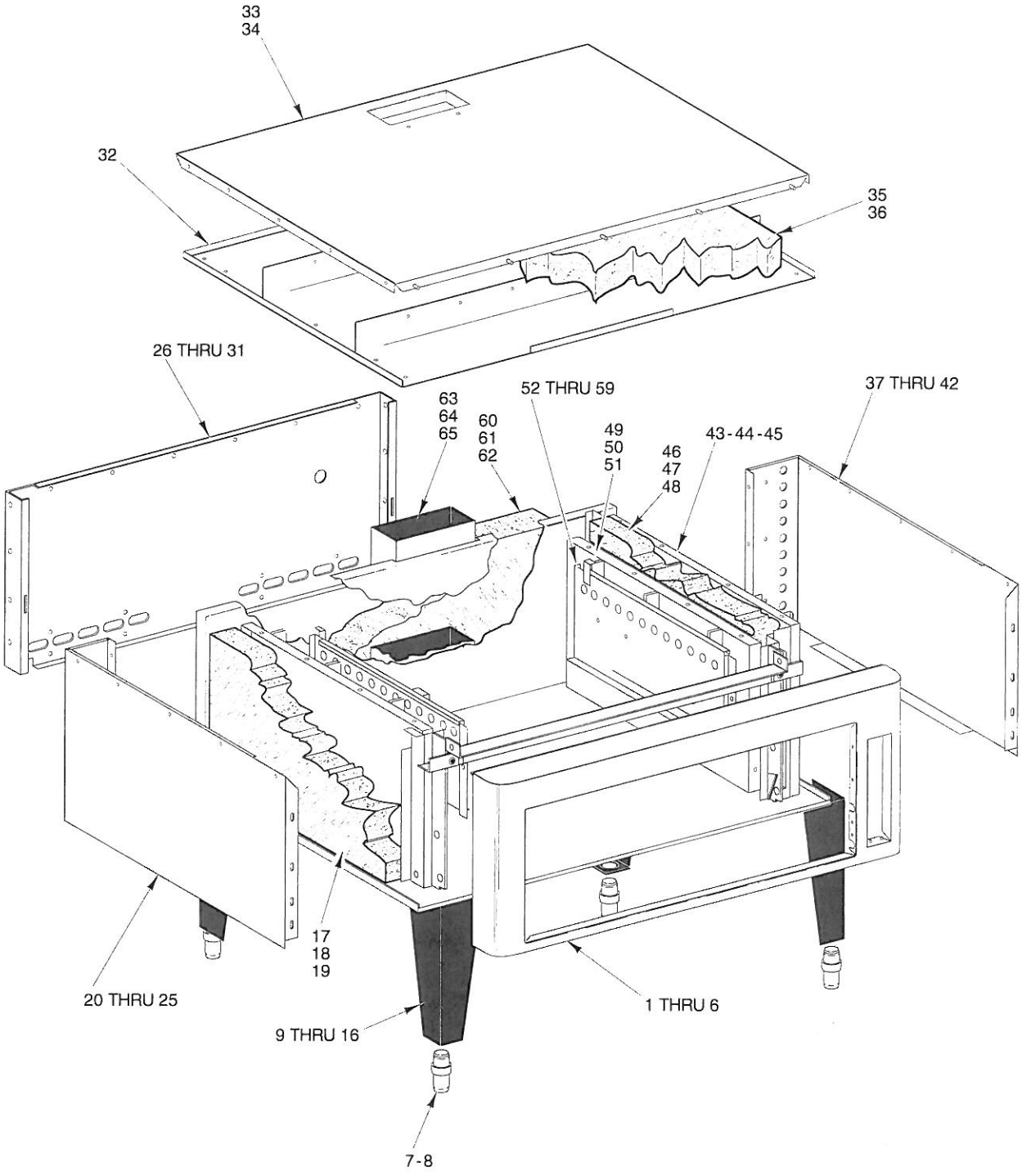
PL-51174

DOORS

DOORS

ILLUS. PL-51174	PART NO.	NAME OF PART	AMT.
1	357543-G1	Door Assy. - Complete (PTD) HGSO 10 & 20 Series (Incls.items 5 thru 10, 13, 14 & 15)	AR
2	357543-G2	Door Assy. - Complete (PTD) HGSO 30 Series (Incls.items 5 thru 10, 13, 14 & 15)	1
3	357543-G3	Door Assy. - Complete (SST) HGSO 10 & 20 Series (Incls.items 5 thru 10, 13, 14 & 15)	AR
4	357543-G4	Door Assy. - Complete (SST) HGSO 30 Series (Incls.items 5 thru 10, 13, 14 & 15)	1
* 5	419765-2	Handle - Door	1
* 6	419766-G2	Insert - Door Handle	1
* 7	419764-2	End Cap R.H.	1
* 8	419764-1	End Cap L.H.	1
* 9	SC-120-20	Cap Screw 3/8-16 x 1 Hex Dr., Button Hd.	2
*10	PB-4-73	Plug Button	2
11	407320-G2	Frame - Door (Center) HGSO 20 Series Only	1
12	407315-1	Frame - Door (Top)	1
*13	SC-36-13	Cap Screw 1/4-20 x 3/4 Hex Hd.	4
*14	410511-2	Closure Piece	2
*15	417862-4	Hinge Pin	2
*16	410950-1	Spacer	2
*17	404629-1	Bearing - Hinge Pin	2
18	407406-3	Counterweight - Oven Door (L.H. Shown)(HGSO 10 & 20 Series)	AR
19	407406-4	Counterweight - Oven Door (R.H.)(HGSO 10 & 20 Series)	AR
20	407407-1	Counterweight - Oven Door (L.H. Shown)(HGSO 30 Series)	1
21	407407-2	Counterweight - Oven Door (R.H.)(HGSO 30 Series)	1
22	407410-G1	Frame - Door (Lower)	1
23	407414-1	Gasket - Lower Door	1
24	409159-1	Baffle	1
25	407384-G1	Support - Baffle	1
26	404828-1	Chain	1
27	407023-1	Handle	1
28	407378-G1	Retainer - Insulation	1
29	407274-2	Insulation Block	1
30	407274-1	Insulation Block	2
31	407377-G1	Door - Lower (PTD)	1
32	407377-G3	Door - Lower (SST)	1
33	404629-1	Bearing - Hinge Pin	2
34	407417-1	Counterweight - Lower Door	2
35	407416-1	Bracket - Lower Door (L.H.)	1
36	407416-2	Bracket - Lower Door (R.H.)	1

* Quantities Are Listed For One Door. Double Quantity For HGSO 20.

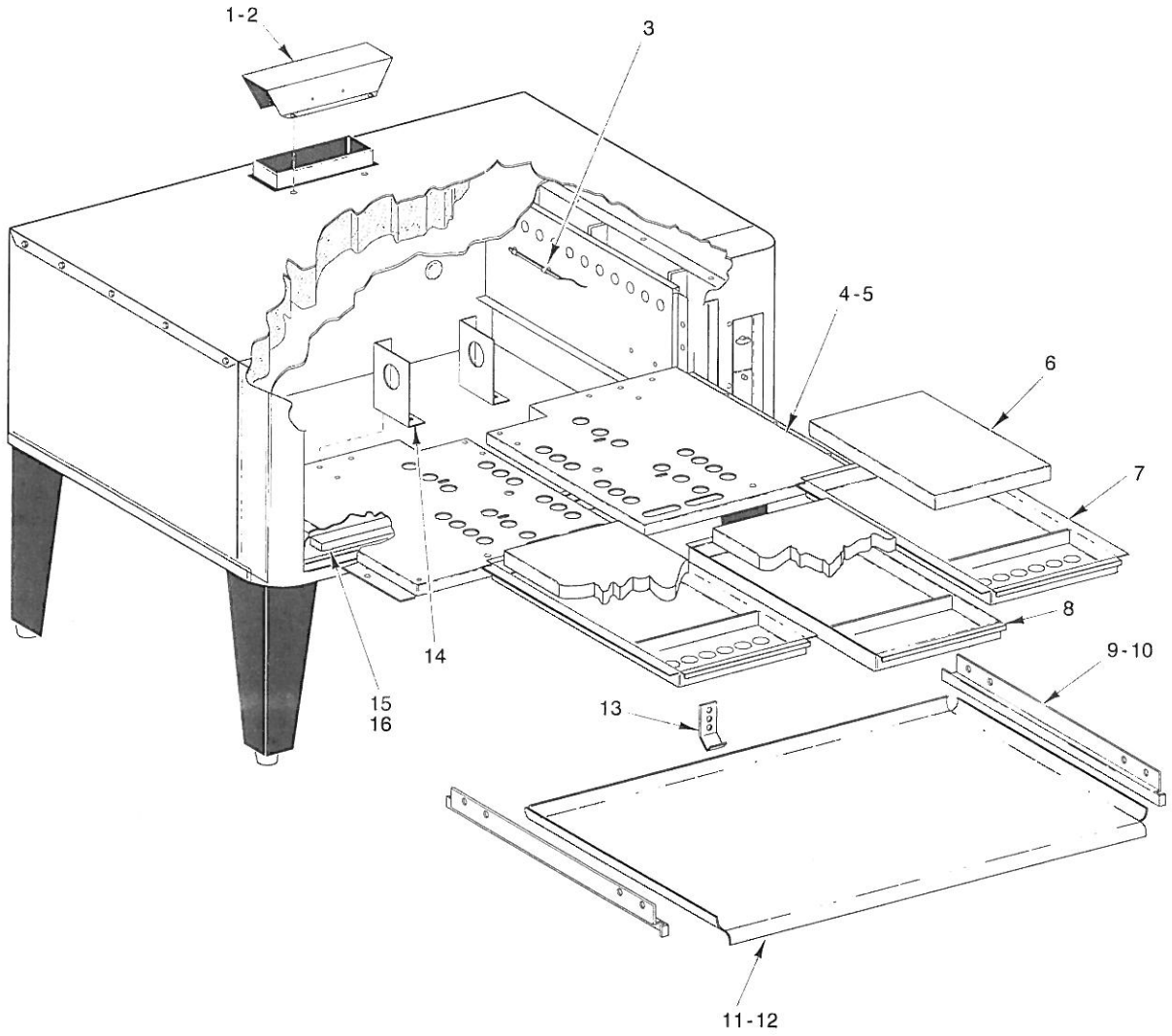


PL-51176

PANELS & LEGS

PANELS & LEGS

ILLUS. PL-51176	PART NO.	NAME OF PART	AMT.
1	407287-G2	Panel - Front (HGSO 10 Series, PTD)(Shown)	1
2	407287-G4	Panel - Front (HGSO 30 Series, PTD)	1
3	407287-G6	Panel - Front (HGSO 20 Series, PTD)	1
4	407287-G8	Panel - Front (HGSO 10 Series SST)	1
5	407287-G10	Panel - Front (HGSO 30 Series, SST)	1
6	407287-G12	Panel - Front (HGSO 20 Series, SST)	1
7	412681-1	Foot - Adjustable (Plain)	AR
8	412681-2	Foot - Adjustable (SST)	AR
9	414007-G1	Leg Assy. 6" (PTD)	AR
10	414007-G6	Leg Assy. 6" (SST)	AR
11	414007-G2	Leg Assy. 9" (PTD)	AR
12	414007-G7	Leg Assy. 9" (SST)	AR
13	414007-G3	Leg Assy. 17" (PTD)	AR
14	414007-G8	Leg Assy. 17" (SST)	AR
15	414007-G4	Leg Assy. 23" (PTD)	AR
16	414007-G9	Leg Assy. 23" (SST)	AR
17	407337-6	Insulation - Side (HGSO 30 Series)	1
18	407337-5	Insulation - Side (HGSO 10 Series)	1
19	407337-3	Insulation - Side (HGSO 20 Series)	1
20	407246-2	Panel - L.H. (HGSO 20 Series, PTD)	1
21	407246-4	Panel - L.H. (HGSO 10 Series, PTD)	1
22	407246-6	Panel - L.H. (HGSO 30 Series, PTD)	1
23	407246-8	Panel - L.H. (HGSO 20 Series, SST)	1
24	407246-10	Panel - L.H. (HGSO 10 Series, SST)	1
25	407246-12	Panel - L.H. (HGSO 30 Series, SST)	1
26	407255-1	Panel - Back (HGSO 20 Series, PTD)	1
27	407255-2	Panel - Back (HGSO 10 Series, PTD)	1
28	407255-3	Panel - Back (HGSO 30 Series, PTD)	1
29	407255-7	Panel - Back (HGSO 20 Series, SST)	1
30	407255-8	Panel - Back (HGSO 10 Series, SST)	1
31	407255-9	Panel - Back (HGSO 30 Series, SST)	1
32	407330-G1	Lining - Top Insulation	1
33	407338-G1	Panel - Top (PTD)	1
34	407338-G3	Panel - Top (SST)	1
35	407337-13	Insulation - Top	1
36	407408-1	Insulation Pad (Top Lining)	2
37	407246-1	Panel - R.H. (HGSO 20 Series, PTD)	1
38	407246-3	Panel - R.H. (HGSO 10 Series, PTD)	1
39	407246-5	Panel - R.H. (HGSO 30 Series, PTD)	1
40	407246-7	Panel - R.H. (HGSO 20 Series, SST)	1
41	407246-9	Panel - R.H. (HGSO 10 Series, SST)	1
42	407246-11	Panel - R.H. (HGSO 30 Series, SST)	1
43	410805-G2	Partition Assy. (HGSO 10 Series)	1
44	410805-G6	Partition Assy. (HGSO 20 Series)	1
45	410805-G4	Partition Assy. (HGSO 30 Series)	1
46	407337-6	Insulation Side (HGSO 30 Series)	1
47	407337-5	Insulation Side (HGSO 10 Series)	1
48	407337-3	Insulation Side (HGSO 20 Series)	1
49	407265-G1	Lining Assy. (HGSO 10 Series)	2
50	407265-G3	Lining Assy. (HGSO 20 Series)	2
51	407265-G2	Lining Assy. (HGSO 30 Series)	2
52	412889-G1	Lining - Inside R.H. (HGSO 10 Series)	1
53	412889-G2	Lining - Inside L.H. (HGSO 10 Series)	1
54	412889-G3	Lining - Inside R.H. (HGSO 30 Series W/O Center Shelf)	1
55	412889-G4	Lining - Inside L.H. (HGSO 30 Series W/O Center Shelf)	1
56	412888-G1	Lining - Inside R.H. (HGSO 30 Series W/Center Shelf)	1
57	412888-G2	Lining - Inside L.H. (HGSO 30 Series W/Center Shelf)	1
58	412914-G1	Lining - Inside R.H. (HGSO 20 Series)	1
59	412914-G2	Lining - Inside L.H. (HGSO 20 Series)	1
60	407337-11	Insulation - Back (HGSO 10 Series)	1
61	407337-9	Insulation - Back (HGSO 20 Series)	1
62	407337-12	Insulation - Back (HGSO 30 Series)	1
63	407276-G1	Lining - Rear (HGSO 10 Series)	1
64	407276-G2	Lining - Rear (HGSO 30 Series)	1
65	407276-G3	Lining - Rear (HGSO 20 Series)	1

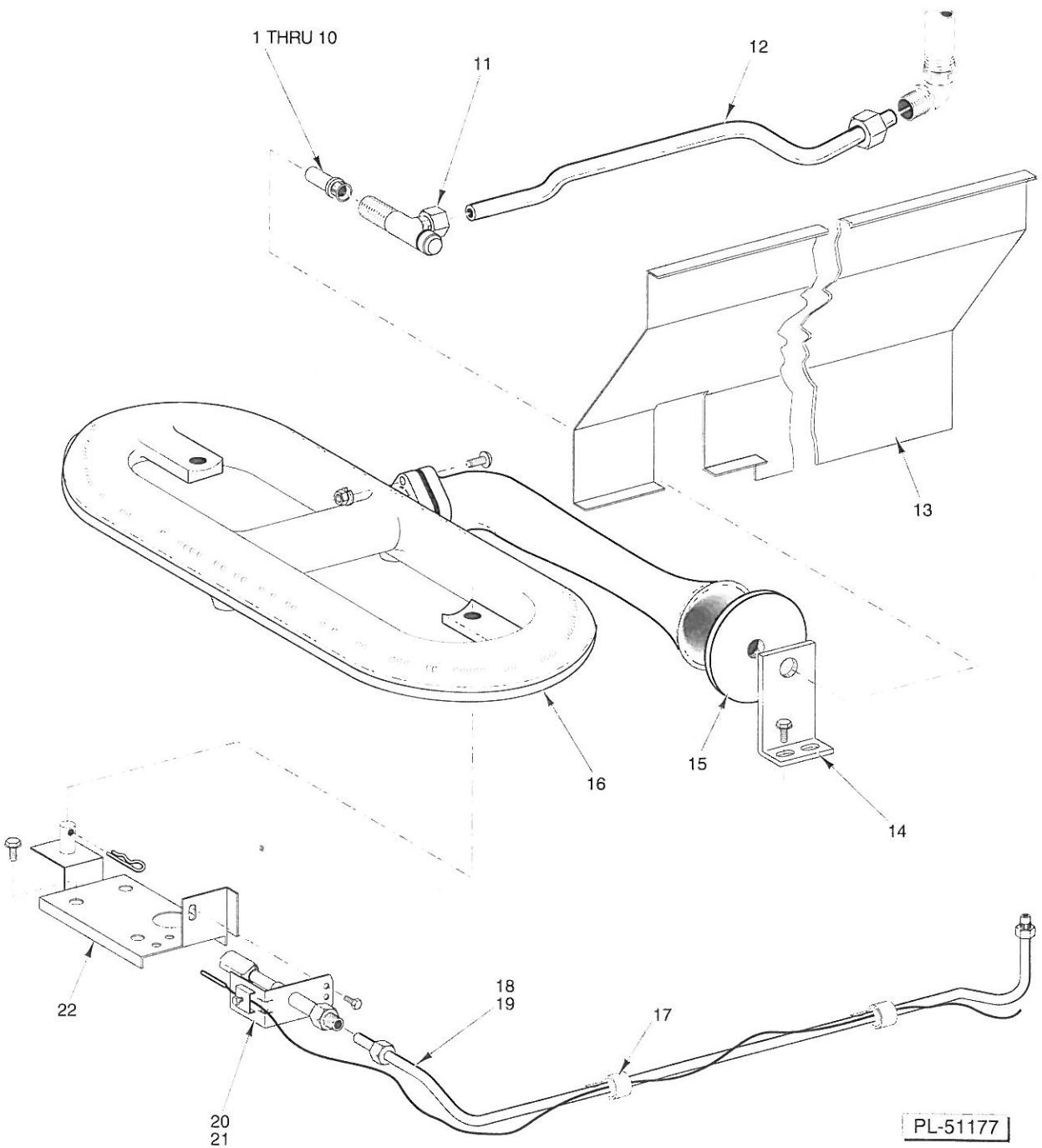


PL-51175

OVEN CAVITY

OVEN CAVITY

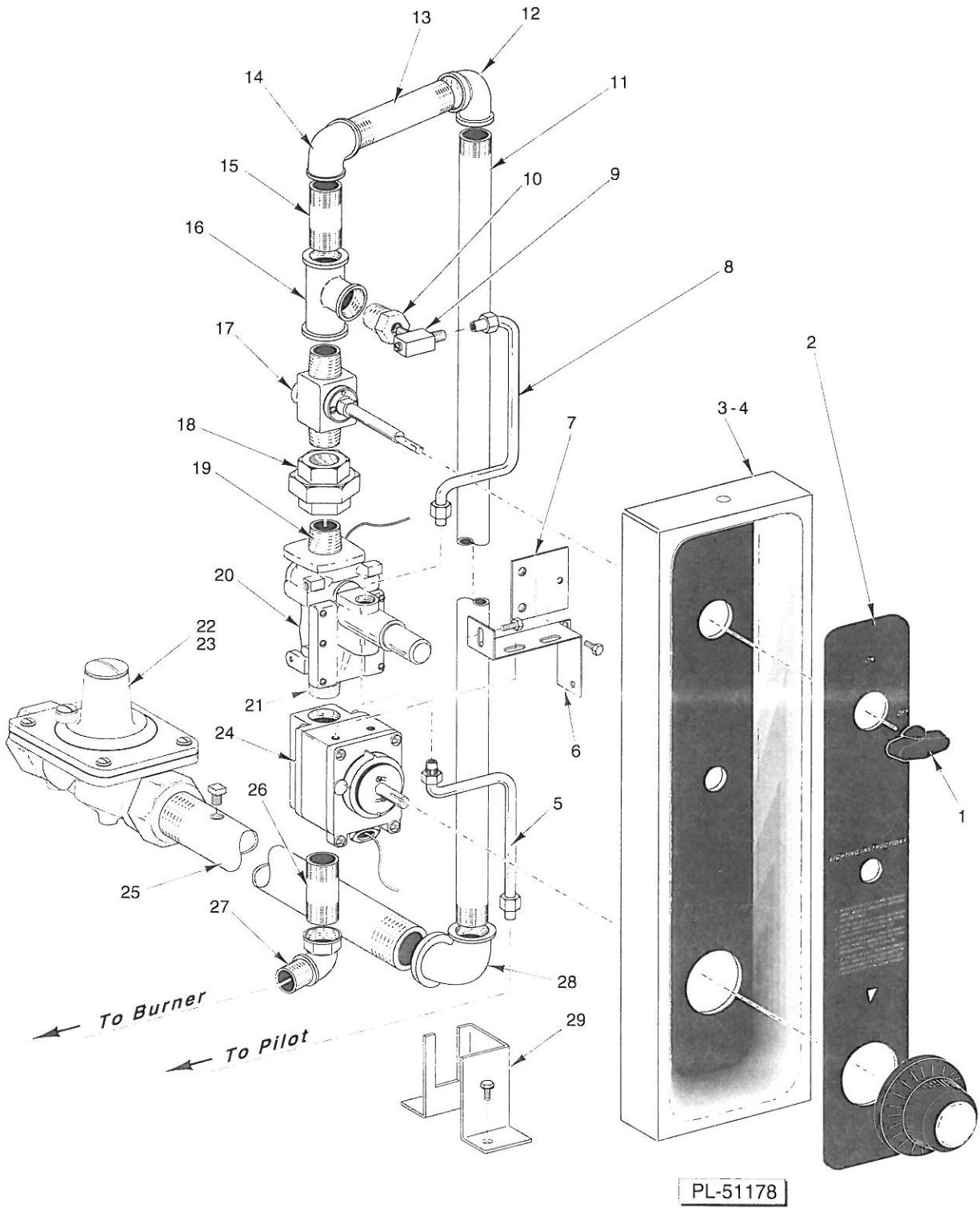
ILLUS. PL-51175	PART NO.	NAME OF PART	AMT.
1	412640-3	Deflector - Flue (PTD)	1
2	412640-4	Deflector - Flue (SST)	1
3	415677-1	Clip - Capillary	2
4	407288-G5	Chamber - Secondary Air (R.H.)	1
5	407288-G1	Chamber - Secondary Air (L.H.)	1
6	412897-2	Insulation Blanket	3
7	413147-G1	Baffle - Side	2
8	413146-G1	Baffle - Center	1
9	405538-3	Clamp - Deck (R.H.)	AR
10	405538-4	Clamp - Deck (L.H.)	AR
11	405041-3	Deck	AR
12	405041-1	Deck - Center Shelf (HGSO 30 Series Only)	1
13	405355-1	Clamp - Deck	1
14	408915-1	Support - Oven Baffle	2
15	407374-1	Pad - Insulation (W/Notch)	1
16	407374-2	Pad - Insulation (W/O Notch)	1



BURNER & PILOT

BURNER & PILOT

ILLUS. PL-51177	PART NO.	NAME OF PART	AMT.
1	409290-27	Orifice - Spud (Nat. Gas)(Sea Level to 2000 Ft.)	1
2	409290-28	Orifice - Spud (Nat. Gas)(2001 to 2499 Ft.)	1
3	409290-29	Orifice - Spud (Nat. Gas)(2500 to 5499 Ft.)	1
4	409290-30	Orifice - Spud (Nat. Gas)(5500 to 8499 Ft.)	1
5	409290-31	Orifice - Spud (Nat. Gas)(8500 to 10,500 Ft.)	1
6	409290-47	Orifice - Spud (L.P. Gas)(Sea Level to 2000 Ft.)	1
7	409290-48	Orifice - Spud (L.P. Gas)(2001 to 3499 Ft.)	1
8	409290-49	Orifice - Spud (L.P. Gas)(3500 to 5499 Ft.)	1
9	409290-50	Orifice - Spud (L.P. Gas)(5500 to 8499 Ft.)	1
10	409290-51	Orifice - Spud (L.P. Gas)(8500 to 10,500 Ft.)	1
11	407634-F	Nozzle - Oven Burner	1
12	407609-1	Tube - Burner ½ Dia.	1
13	409101-1	Shield - Heat	1
14	407637-1	Support - Nozzle	1
15	405697-2	Mixer - Air	1
16	404073-G3	Burner Assy. - Oven	1
17	407566-1	Clip - Capillary	2
18	413350-1	Tube - Pilot ¼ Dia. (Compression Fitting to Pilot)	1
19	FP-75-1	Union - Compression ¼ Tube to ¼ Tube	1
20	409125-1	Pilot Assy. - Burner (Nat. Gas)	1
21	409125-3	Pilot Assy. - Burner (L.P. Gas)	1
22	409117-G1	Bracket Assy. - Burner & Pilot	1

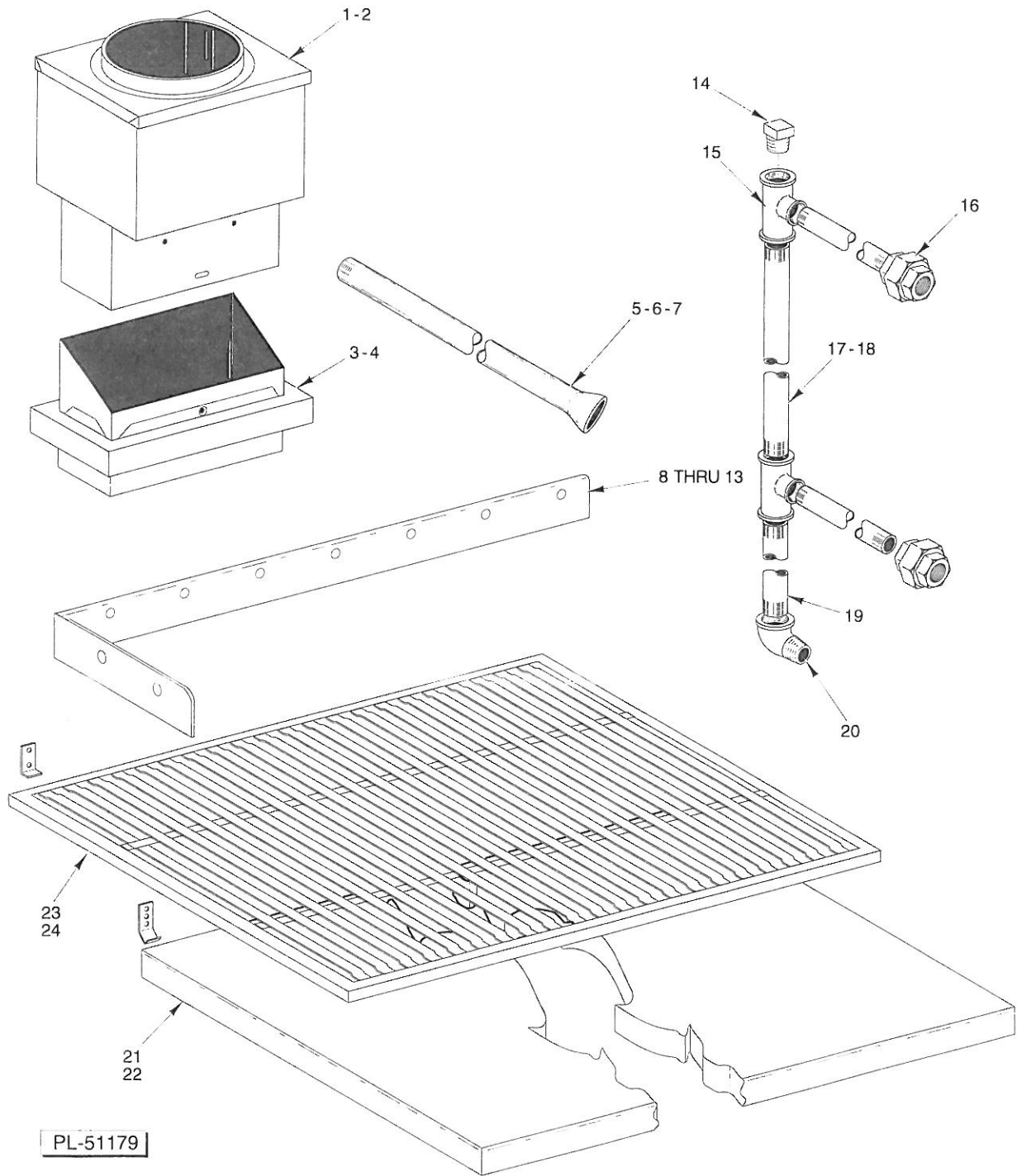


PIPING - GAS

PIPING - GAS

ILLUS. PL-51178	PART NO.	NAME OF PART	AMT.
1	402957-2	Handle - Gas Cock (RED)	1
2	413966-4	Label - Control	1
3	407845-1	Panel - Control (PTD)	1
4	407845-2	Panel - Control (SST)	1
5	412703-1	Tube - Pilot ¼ dia. (Pilot Control Valve to Compression Fitting)	1
6	407635-1	Support - Thermostat	1
7	407851-G1	Bracket - Thermostat Support	1
8	407846-1	Tube - Pilot ¼ dia. (Tee to Pilot Control Valve)	1
9	404193-1	Valve-Adjustable	1
10	FP-26-9	Bushing - Pipe ¾ to ¼	1
11	413500-C124	Nipple ¾ x 15½ TBE	1
12	414798-3	Elbow ¾ x 90 Deg.	1
13	413500-C19	Nipple ¾ x 2¾ TBE	1
14	414798-3	Elbow ¾ x 90 Deg.	1
15	413500-C12	Nipple ¾ x 1½ TBE	1
16	FP-19-10	Tee ¾ x ¾ x ¾	1
17	407789-1	Valve-Service	1
18	FP-22-6	Union -Pipe ¾ straight (Ground Seat)	1
19	413500-C6	Nipple ¾ x ¾ Lg. TBE	1
20	407798-4	Valve - Pilot Control	1
21	413500-C9	Nipple ¾ x 1½ TBE	1
22	408279-20	Regulator - Pressure (Nat. Gas)	1
23	408279-21	Regulator - Pressure (L.P. Gas)	1
24	407522-1	Thermostat (Incls. Knob)	1
25	407272-1	Pipe - Inlet ¾ x 34½ W/½-27 NPT Hole	1
26	413500-C19	Nipple ¾ x 2¾ TBE	1
27	FP-12-25	Fitting - Tube ½ Tube x ¾ FPT Brass Compression Elbow	1
28	412812-2	Elbow 90 Deg. Reducing ¾ to ¾	1
29	407713-1	Bracket - Inlet Pipe Stop	1

414812-2



MISCELLANEOUS

MISCELLANEOUS

ILLUS. PL-51179	PART NO.	NAME OF PART	AMT.
1	413602-G3	Diverter - Draft	1
2	413602-G4	Diverter - Draft (SST)	1
3	407399-G1	Collar - Draft Deflector	1
4	407399-G3	Collar - Draft Deflector (SST)	1
5	403476-2	Injector - Steam	1
6	404524	Washer	1
7	404087-7	Nut	1
8	407419-1	Retainer - Stacked Ovens (R.H.)(PTD.)	AR
9	407419-2	Retainer - Stacked Ovens (L.H.)(PTD.)	AR
10	407419-5	Retainer - Stacked Ovens (R.H.)(SST)	AR
11	407419-6	Retainer - Stacked Ovens (L.H.)(SST)	AR
12	SC-37-87	Cap Screw 1/4-20 x 1 Hex (Stacked Ovens)	16
13	WL-3-44	Lock Washer 5/16 Med (Stacked Ovens)	16
14	FP-28-21	Plug - Pipe 1 Sq. Hd. (Stacked Oven)	1
15	FP-19-42	Tee-Pipe 1 x 1 x 3/4 (Stacked Oven)	AR
16	FP-85-60	Union - Pipe 3/4 (Stacked Oven)	AR
17	FP-86-58	Nipple 1 x 1 9/16 (Stacked Oven)	AR
18	FP-86-18	Nipple 1 x 1 24/32 (Stacked Oven)	AR
19	FP-36-17	Nipple 1 x 1 1/2 (Stacked Oven)	1
20	FP-85-69	Elbow - Street 90 Deg. Red 1 x 3/4	1
21	417028-1	Deck Plate - Cordierite (HGSO 10 & 30 Series)	1
22	405355-1	Clamp - Deck	2
23	407721-G1	Rack-Slotted (HGSO 30 Series Only)	1
24	405355-5	Clamp-Deck (HGSO 30 Series Only)	2

