



CATALOG OF REPLACEMENT PARTS

HL300CE/AUS SERIES LEGACY MIXER



ML-134364
ML-141038
ML-134369
ML-134390
ML-134454

HL300CE
HL300CE
HL300AUS
HL300 (Mexico)
HL300 (Korea)

Table of Contents

5 CONTROL PANEL

7 ELECTRICAL COMPONENTS (ML-134390 & ML-134454)

9 ELECTRICAL COMPONENTS CE/AUS (LOW VOLTAGE UNITS)
(ML-134364, ML-134369, & ML-141038)

11 ELECTRICAL COMPONENTS CE/AUS (HIGH VOLTAGE UNITS)
(ML-134364, ML-134369, & ML-141038)

13 BASE AND PEDESTAL

15 ATTACHMENT HUB

17 TRANSMISSION CASE AND MOTOR

19 TRANSMISSION

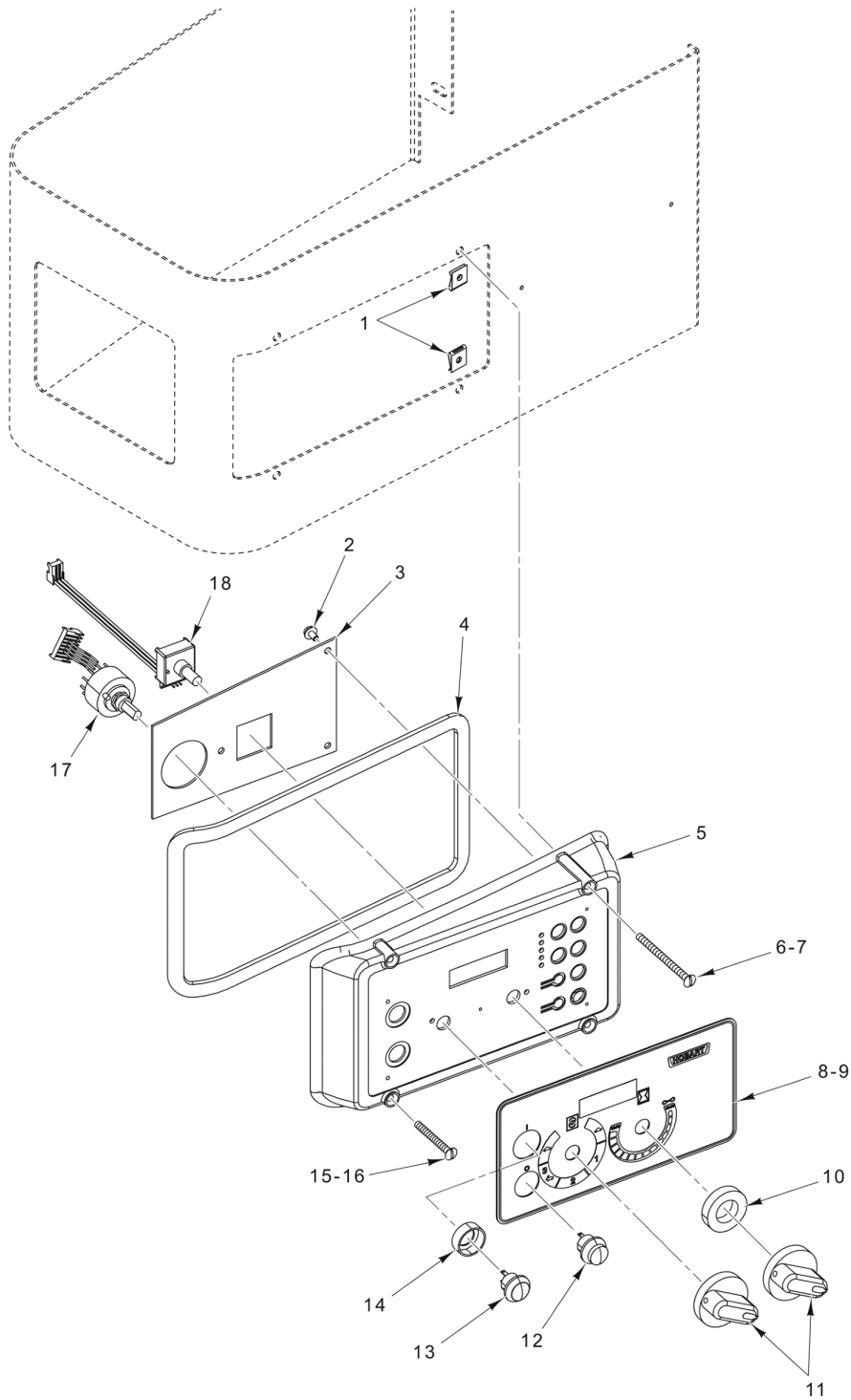
21 PLANETARY

23 BOWL SUPPORT

25 BOWL AND BOWL GUARD

27 AGITATORS AND ACCESSORIES

29 LABELS & NAMEPLATES

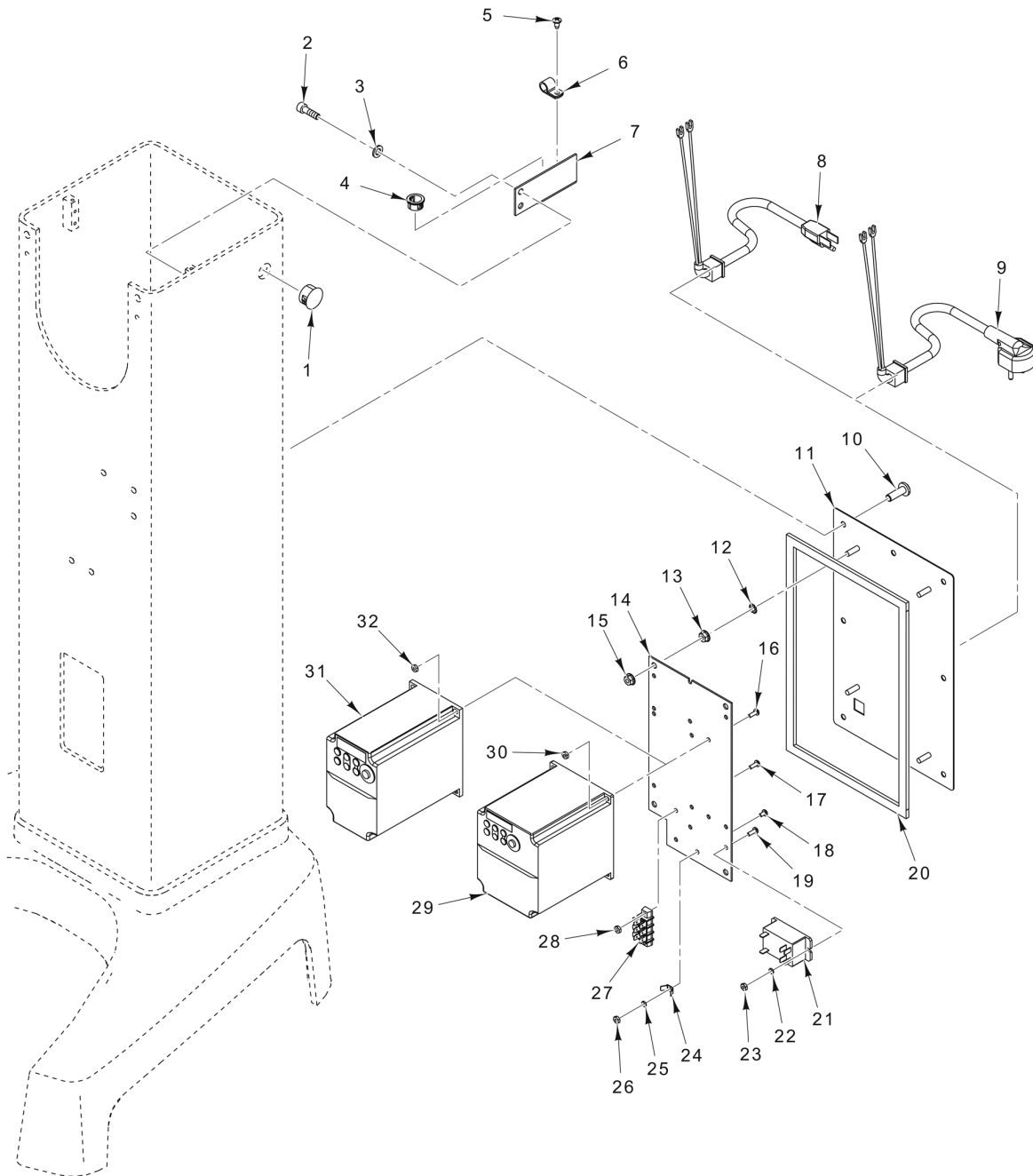


PL-58595

CONTROL PANEL

CONTROL PANEL

ILLUS.	PART NO.	NAME OF PART	AMT.
PL-58595			
1	00-874338	Fastener - Self-Retaining.....	4
2	SD-039-23	Self-Tapping Screw 6-32 x 1/4 Hex Washer Hd., Type RL.....	3
3	00-937135	PCB Assy. (Standard Timer With 2 Stir Positions & Replaceable Start and Stop Switch).....	1
4	00-916613	Seal - Control Panel.....	1
5	00-917302	Panel - Control.....	1
6	SC-128-40	Mach. Screw 8-32 x 2-1/4 Phil. Oval Hd. (SST) (ML-134390 & ML-134454).....	2
7	SC-129-29	Mach. Screw 8-32 x 2-1/4 Slotted Oval Hd. (SST) (ML-134364, ML-134369, & ML-141038).....	2
8	00-937066	Overlay - Standard (6-Postition Speed Selector) (ML-134390 & ML-134454).....	1
9	00-937070	Overlay - Standard (ML-134364, ML-134369, & ML-141038).....	1
10	WS-031-55	Washer (Rubber).....	1
11	00-874809	Knob (Plastic).....	2
	00-938685	Knob (Metallic)(Starting S/N: 311628503).....	2
12	00-916592	Switch - Sealed Dome (Stop).....	1
13	00-916593	Switch - Sealed Dome (Start).....	1
14	00-916958-00002	Guard - Switch.....	1
15	SC-128-39	Mach. Screw 8-32 x 1-1/2 Phil. Oval Hd. (SST) (ML-134390 & ML-134454).....	2
16	SC-129-28	Mach. Screw 8-32 x 1-1/2 Slotted Oval Hd. (SST) (ML-134364, ML-134369, & ML-141038).....	2
17	00-937061	Switch - Speed Selector Assy. (6-Position).....	1
18	00-916594	Potentiometer Assy.....	1
	00-916566-00001	Harness - Switch.....	1

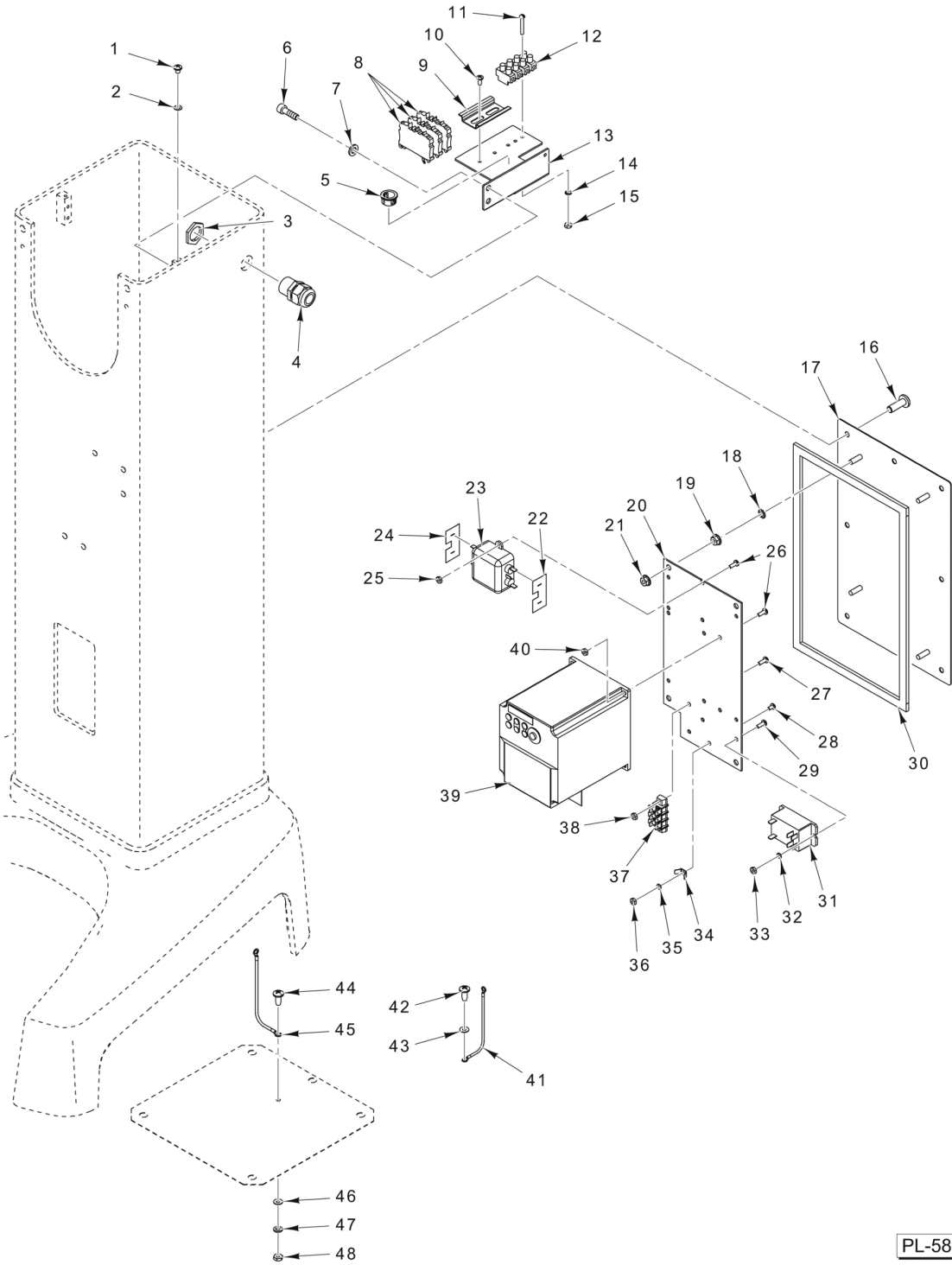


PL-59962

**ELECTRICAL COMPONENTS
(ML-134390 & ML-134454)**

**ELECTRICAL COMPONENTS
(ML-134390 & ML-134454)**

ILLUS. PL-59962	PART NO.	NAME OF PART	AMT.
1	PB-005-30	Plug - Button.....	1
2	SC-129-49	Mach. Screw 1/4-20 x 1/2 Hex Washer Hd. (SST).....	2
3	WS-003-19	Washer.....	2
4	FE-021-13	Bushing (Nylon) 1/2 I.D.....	1
5	SD-019-23	Self-Tapping Screw 10-16 x 3/8 Phil. Pan Hd., Type B.....	1
6	00-078752-00009	Clamp - Cable.....	1
7	00-937123	Bracket.....	1
8	00-874833-00001	Cord & Plug Assy. (120 V.) (ML-134390).....	1
9	00-874833-00003	NLA - Obsolete--Cord & Plug Assy. (230 V.) (ML-134454).....	1
10	SC-053-46	Mach. Screw 1/4-20 x 3/4 Slotted Truss Hd. (SST).....	7
11	00-916772-00001	Cover - Back & Studs (100/120 V. & 200/230 V., 1 Ph.).....	1
12	WL-007-16	Lockwasher 1/4 External Shakeproof.....	4
13	NS-038-04	Lock Nut 1/4-20.....	4
14	00-916871	Plate - Controller Mounting.....	1
15	NS-038-04	Lock Nut 1/4-20.....	4
16	SC-018-34	Mach. Screw 8-32 x 1/2 Phil. Pan Hd.....	4
17	SC-018-34	Mach. Screw 8-32 x 1/2 Phil. Pan Hd.....	2
18	SC-018-33	Mach. Screw 8-32 x 5/16 Phil. Pan Hd.....	1
19	SC-018-34	Mach. Screw 8-32 x 1/2 Phil. Pan Hd.....	2
20	00-557188	Foam - Tape (0.187 Thk. x 0.500 Wide).....	AR
21	00-087714-042-5	Relay (2-Pole, 30 Amp.).....	1
22	WS-023-48	Washer.....	2
23	NS-009-12	Nut 8-32 Hex.....	2
24	00-065890-00090	Terminal (2-Tab).....	1
25	WL-003-12	Lockwasher #8 Helical.....	1
26	NS-009-12	Nut 8-32 Hex.....	1
27	00-916269	Block - Terminal.....	1
28	NS-009-12	Nut 8-32 Hex.....	2
29	00-916761	Controller (100/120 V., 50/60 Hz., 1 Ph.) (ML-134390).....	1
30	NS-009-12	Nut 8-32 Hex (ML-134390).....	4
31	00-916762	Controller (200/230 V., 50/60 Hz., 1 Ph.) (ML-134454).....	1
32	NS-009-12	Nut 8-32 Hex (ML-134454).....	4

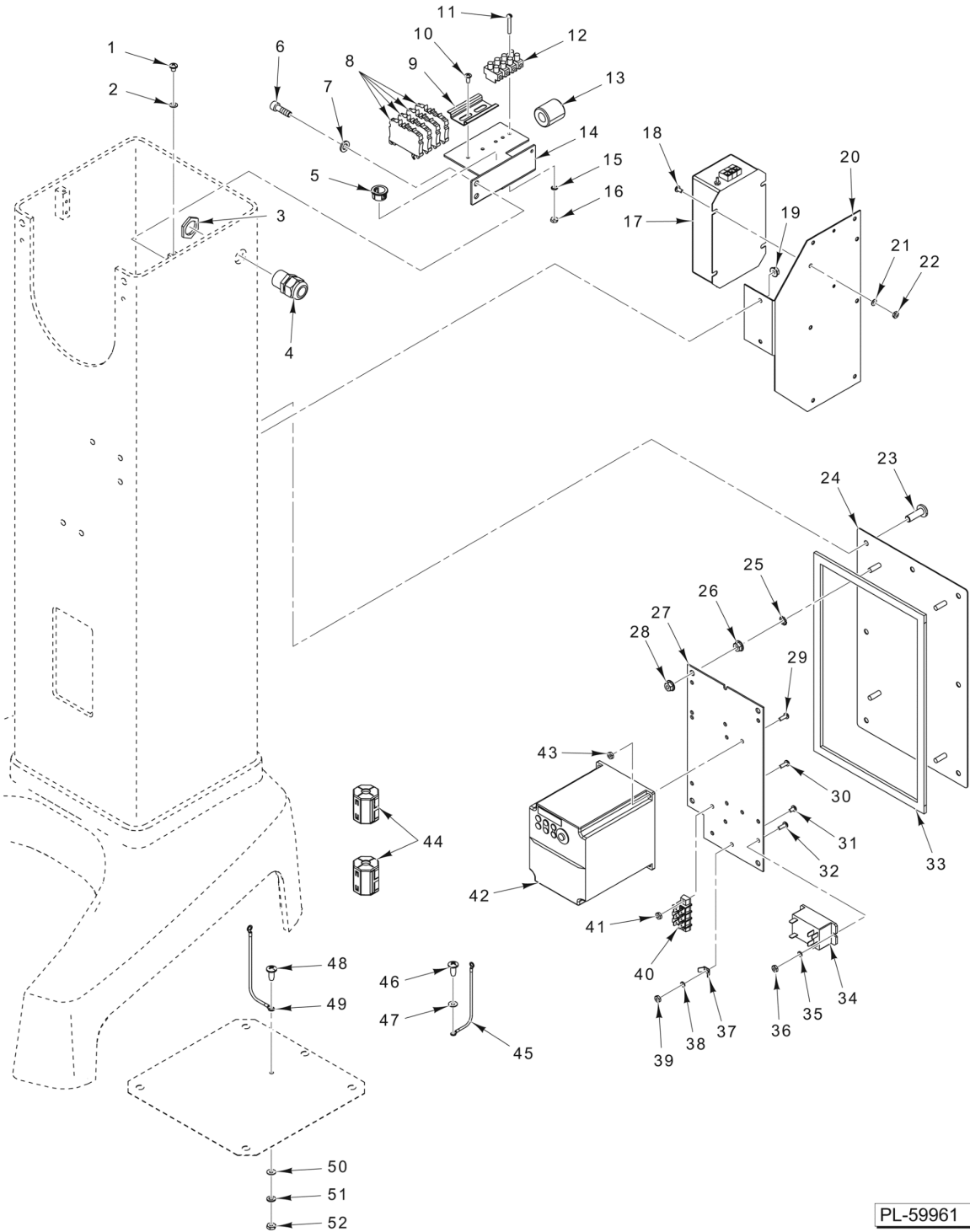


PL-58596

**ELECTRICAL COMPONENTS CE/AUS
(LOW VOLTAGE UNITS)
(ML-134364, ML-134369, & ML-141038)**

**ELECTRICAL COMPONENTS CE/AUS
(LOW VOLTAGE UNITS)
(ML-134364, ML-134369, & ML-141038)**

ILLUS. PL-58596	PART NO.	NAME OF PART	AMT.
1	SC-128-12	Mach. Screw 10-24 x 1/4 Phil. Pan Hd. (SST).....	1
2	WL-008-13	Lockwasher #10 Internal Shakeproof.....	1
3	FE-006-07	Lock Nut 1/2 (Cnd.).....	1
4	FE-022-84	Connector - Strain Relief.....	1
5	FE-021-13	Bushing (Nylon) 1/2 I.D.....	1
6	SC-129-49	Mach. Screw 1/4-20 x 1/2 Hex Washer Hd. (SST).....	2
7	WS-003-19	Washer.....	2
8	00-916906-00001	NLA - Obsolete--Block - Terminal.....	3
9	00-477300-00003	NLA - Obsolete--Rail -Din.....	1
10	SD-015-40	Self-Tapping Screw 8-32 x 3/8 Phil. Pan Hd., Type TT.....	2
11	SC-009-64	Mach. Screw 6-32 x 1 Slotted Rd. Hd.....	2
12	00-477562-00002	Block - Terminal.....	1
13	00-937130	Bracket - Terminal Block.....	1
14	WL-014-03	Lockwasher #6 External (SST).....	2
15	NS-009-07	Nut 6-32 Hex.....	2
16	SC-053-46	Mach. Screw 1/4-20 x 3/4 Slotted Truss Hd. (SST).....	7
17	00-916772-00002	Cover - Back & Studs (200/230 V. & 380/480 V., 3 Ph.).....	1
18	WL-007-16	Lockwasher 1/4 External Shakeproof.....	4
19	NS-038-04	Lock Nut 1/4-20.....	4
20	00-916871	Plate - Controller Mounting.....	1
21	NS-038-04	Lock Nut 1/4-20.....	4
22	00-916215	Insulator - Mylar.....	1
23	00-916194	Filter & Bracket With Mylar Insulator Incls. Items 22, & 25.....	1
24	00-916215	Insulator - Mylar.....	1
25	NS-009-12	Nut 8-32 Hex.....	2
26	SC-018-34	Mach. Screw 8-32 x 1/2 Phil. Pan Hd.....	6
27	SC-018-34	Mach. Screw 8-32 x 1/2 Phil. Pan Hd.....	2
28	SC-018-33	Mach. Screw 8-32 x 5/16 Phil. Pan Hd.....	1
29	SC-018-34	Mach. Screw 8-32 x 1/2 Phil. Pan Hd.....	2
30	00-557188	Foam - Tape (0.187 Thk. x 0.500 Wide).....	AR
31	00-087714-042-5	Relay (2-Pole, 30 Amp.).....	1
32	WS-023-48	Washer.....	2
33	NS-009-12	Nut 8-32 Hex.....	2
34	00-065890-00090	Terminal (2-Tab).....	1
35	WL-003-12	Lockwasher #8 Helical.....	1
36	NS-009-12	Nut 8-32 Hex.....	1
37	00-916269	Block - Terminal.....	1
38	NS-009-12	Nut 8-32 Hex.....	2
39	00-917092	Controller (230 V., 50 Hz, 1 Ph.).....	1
40	NS-009-12	Nut 8-32 Hex.....	4
41	00-087532-00088	Lead Wire Assy.....	1
42	SC-128-15	Mach. Screw M5 x 0.8 x 12mm Phil. Pan Hd.....	1
43	WL-008-13	Lockwasher #10 Internal Shakeproof.....	1
44	SC-128-15	Mach. Screw M5 x 0.8 x 12mm Phil. Pan Hd.....	1
45	00-087532-00088	Lead Wire Assy.....	1
46	WS-002-51	Washer.....	1
47	WL-003-38	Lockwasher 1/4 Helical.....	1
48	NS-047-49	Nut M5 Hex.....	1

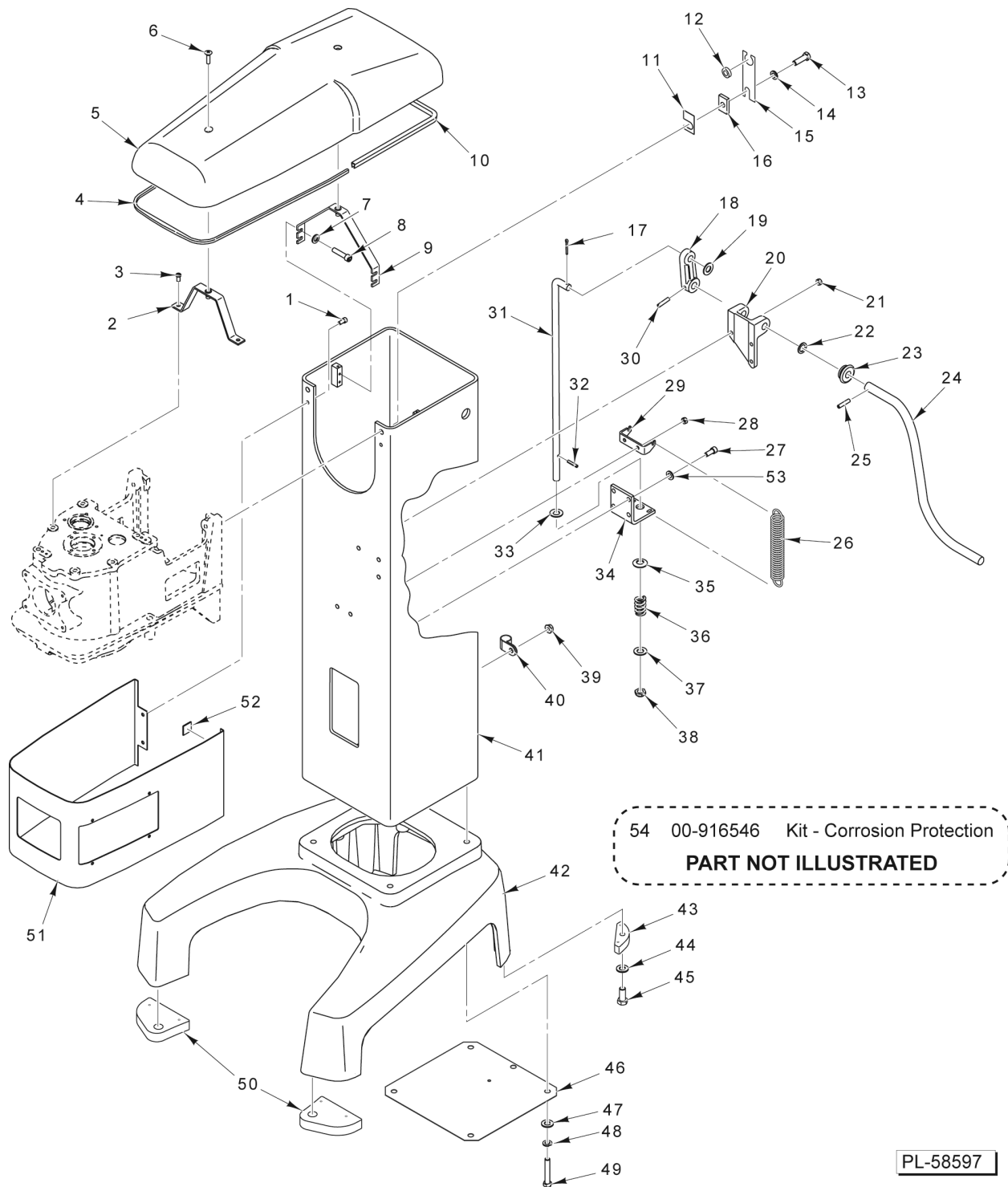


PL-59961

**ELECTRICAL COMPONENTS CE/AUS
(HIGH VOLTAGE UNITS)
(ML-134364, ML-134369, & ML-141038)**

**ELECTRICAL COMPONENTS CE/AUS
(HIGH VOLTAGE UNITS)
(ML-134364, ML-134369, & ML-141038)**

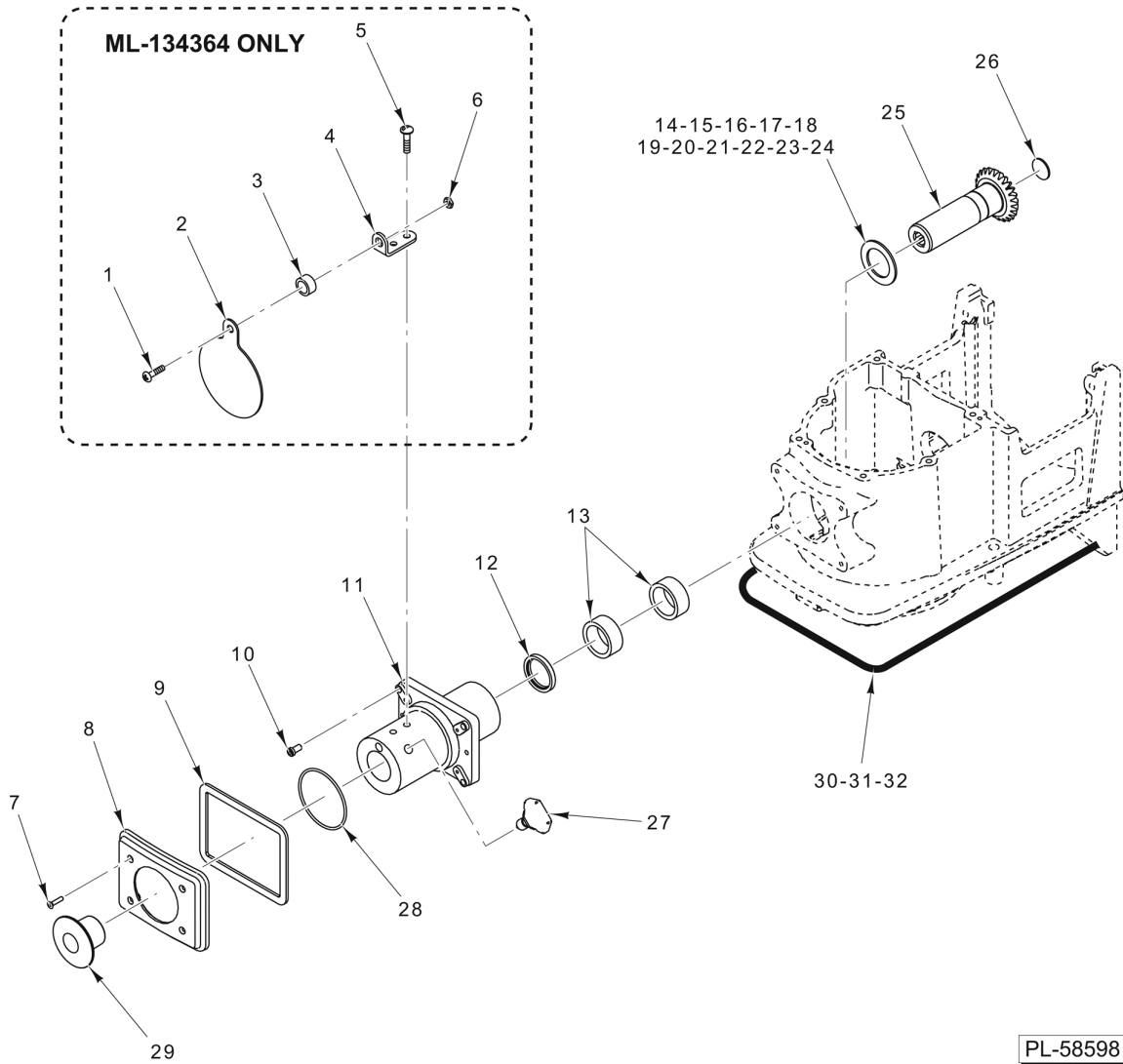
ILLUS. PL-59961	PART NO.	NAME OF PART	AMT.
1	SC-128-12	Mach. Screw 10-24 x 1/4 Phil. Pan Hd. (SST).....	1
2	WL-008-13	Lockwasher #10 Internal Shakeproof.....	1
3	FE-006-07	Lock Nut 1/2 (Cnd.).....	1
4	FE-022-84	Connector - Strain Relief.....	1
5	FE-021-13	Bushing (Nylon) 1/2 I.D.....	1
6	SC-129-49	Mach. Screw 1/4-20 x 1/2 Hex Washer Hd. (SST).....	2
7	WS-003-19	Washer.....	2
8	00-916906-00001	NLA - Obsolete--Block - Terminal.....	4
9	00-477300-00003	NLA - Obsolete--Rail -Din.....	1
10	SD-015-40	Self-Tapping Screw 8-32 x 3/8 Phil. Pan Hd., Type TT.....	2
11	SC-009-64	Mach. Screw 6-32 x 1 Slotted Rd. Hd.....	2
12	00-477562-00002	Block - Terminal.....	1
13	00-917363	NLA - Obsolete--Ferrite.....	1
14	00-937130	Bracket - Terminal Block.....	1
15	WL-014-03	Lockwasher #6 External (SST).....	2
16	NS-009-07	Nut 6-32 Hex.....	2
17	00-917183	Filter - Power Line.....	2
18	SC-018-62	Mach. Screw 10-24 x 3/8 Phil. Pan Hd.....	4
19	NS-038-04	Lock Nut 1/4-20.....	2
20	00-917060	NLA - Obsolete--Bracket - Filter.....	1
21	WL-007-12	Lockwasher #10 External Shakeproof.....	4
22	NS-009-22	Nut 10-24 Hex.....	4
23	SC-053-46	Mach. Screw 1/4-20 x 3/4 Slotted Truss Hd. (SST).....	7
24	00-916772-00002	Cover - Back & Studs (200/230 V. & 380/480 V., 3 Ph.).....	1
25	WL-007-16	Lockwasher 1/4 External Shakeproof.....	4
26	NS-038-04	Lock Nut 1/4-20.....	4
27	00-916871	Plate - Controller Mounting.....	1
28	NS-038-04	Lock Nut 1/4-20.....	4
29	SC-018-34	Mach. Screw 8-32 x 1/2 Phil. Pan Hd.....	4
30	SC-018-34	Mach. Screw 8-32 x 1/2 Phil. Pan Hd.....	2
31	SC-018-33	Mach. Screw 8-32 x 5/16 Phil. Pan Hd.....	1
32	SC-018-34	Mach. Screw 8-32 x 1/2 Phil. Pan Hd.....	2
33	00-557188	Foam - Tape (0.187 Thk. x 0.500 Wide).....	AR
34	00-087714-042-5	Relay (2-Pole, 30 Amp.).....	1
35	WS-023-48	Washer.....	2
36	NS-009-12	Nut 8-32 Hex.....	2
37	00-065890-00090	Terminal (2-Tab).....	1
38	WL-003-12	Lockwasher #8 Helical.....	1
39	NS-009-12	Nut 8-32 Hex.....	1
40	00-916269	Block - Terminal.....	1
41	NS-009-12	Nut 8-32 Hex.....	2
42	00-916764	Controller (380/480 V., 50/60 Hz., 3 Ph.).....	1
43	NS-009-12	Nut 8-32 Hex.....	4
44	00-917392-00005	Ferrite.....	2
45	00-087532-00088	Lead Wire Assy.....	1
46	SC-128-15	Mach. Screw M5 x 0.8 x 12mm Phil. Pan Hd.....	1
47	WL-008-13	Lockwasher #10 Internal Shakeproof.....	1
48	SC-128-15	Mach. Screw M5 x 0.8 x 12mm Phil. Pan Hd.....	1
49	00-087532-00088	Lead Wire Assy.....	1
50	WS-002-51	Washer.....	1
51	WL-003-38	Lockwasher 1/4 Helical.....	1
52	NS-047-49	Nut M5 Hex.....	1



BASE AND PEDESTAL

BASE AND PEDESTAL

ILLUS. PL-58597	PART NO.	NAME OF PART	AMT.
1	SC-089-01	Cap Screw 1/4-20 x 1/2 Hex Socket Hd.....	2
2	00-916452	Strap - Front Cover Mounting.....	1
3	SC-040-15	Cap Screw 5/16-18 x 1-1/4 Hex Socket Hd.....	2
4	00-874512-00003	Seal - Top Cover.....	1
5	00-937186	Cover -Top.....	1
6	SC-024-03	Mach. Screw 1/4-20 x 7/8 Slotted Fil. Hd. (SST).....	2
7	WS-003-19	Washer.....	4
8	SC-129-49	Mach. Screw 1/4-20 x 1/2 Hex Washer Hd. (SST).....	4
9	00-916454	Strap - Rear Cover Mounting.....	1
10	00-916535-00001	Seal - Top Cover.....	1
11	00-068288	Shim (0.0179 In. Thk.).....	AR
12	FE-021-13	Bushing (Nylon) 1/2 I.D.....	1
13	SC-118-09	Cap Screw 3/8-16 x 1-1/4 Hex Hd.....	6
14	WL-004-06	Lockwasher 3/8 Helical.....	6
15	00-916815	Plate - Wire Routing.....	1
16	00-271340	Bar - Reinforcing.....	6
17	PC-006-13	Cotter Pin.....	1
18	00-916467	Arm - Bowl Lift.....	1
19	WS-008-47	Washer.....	1
20	00-916442	Block - Bowl Lift Bearing.....	1
21	NS-013-02	Nut 1/4-20 Hex.....	3
22	WS-020-01	Washer (SST).....	1
23	00-271343	Grommet - Handle.....	1
24	00-916482	Handle - Bowl Lift.....	1
25	RP-002-25	Roll Pin 1/8 Dia. x 7/8 Lg.....	1
26	00-916463	Spring - Bowl Lift.....	2
27	SC-040-14	Cap Screw 5/16-18 x 3/4 Hex Socket Hd.....	4
28	NS-013-02	Nut 1/4-20 Hex.....	2
29	00-916449	Hook - Bowl Lift Spring.....	1
30	PS-004-15	Spiral Pin 1/4 Dia. x 1-1/8 Lg.....	1
31	00-916468	Rod - Bowl Lift.....	1
32	RP-002-10	Roll Pin 3/16 Dia. x 1 Lg.....	1
33	WS-008-47	Washer.....	1
34	00-916469	Bracket - Bowl Lift Support.....	1
35	00-070131	Washer - Cup Bowl Lift.....	1
36	00-070104	Spring - Bowl Lift.....	1
37	WS-008-47	Washer.....	1
38	NS-031-39	Stop Nut 1/2-20 "Elastic".....	1
39	NS-048-40	Lock Nut 5/16-18 Flange (SST).....	4
40	00-917761	NLA - Obsolete--Clamp.....	4
41	00-916364-00004	Column.....	1
42	00-916213-00004	Base.....	1
43	00-916353	Kit - Foot Pad (Incls. Items 44, 45, & 50).....	1
44	WS-018-34	Washer - Shim .010 THK. (SST).....	4
45	SC-118-32	Mach. Screw M5 x 0.8 x 10MM Pan Hd.....	4
46	00-916987	NLA - Obsolete--Cover - Bottom.....	1
47	WS-018-19	Washer.....	4
48	WL-004-04	Lockwasher 3/8 Helical.....	4
49	SC-118-05	Cap Screw 3/8-16 x 2-3/4 Hex Hd.....	4
50	00-916353	Kit - Foot Pad (Incls. Items 43, 44, & 45).....	1
51	00-916387-00002	Wrapper - Transmission.....	1
52	00-916972-00001	Tiedown - Cable.....	1
53	WL-006-22	Lockwasher 5/16 Light.....	4
54	00-916546	Kit - Pad Corrosion Protection.....	1

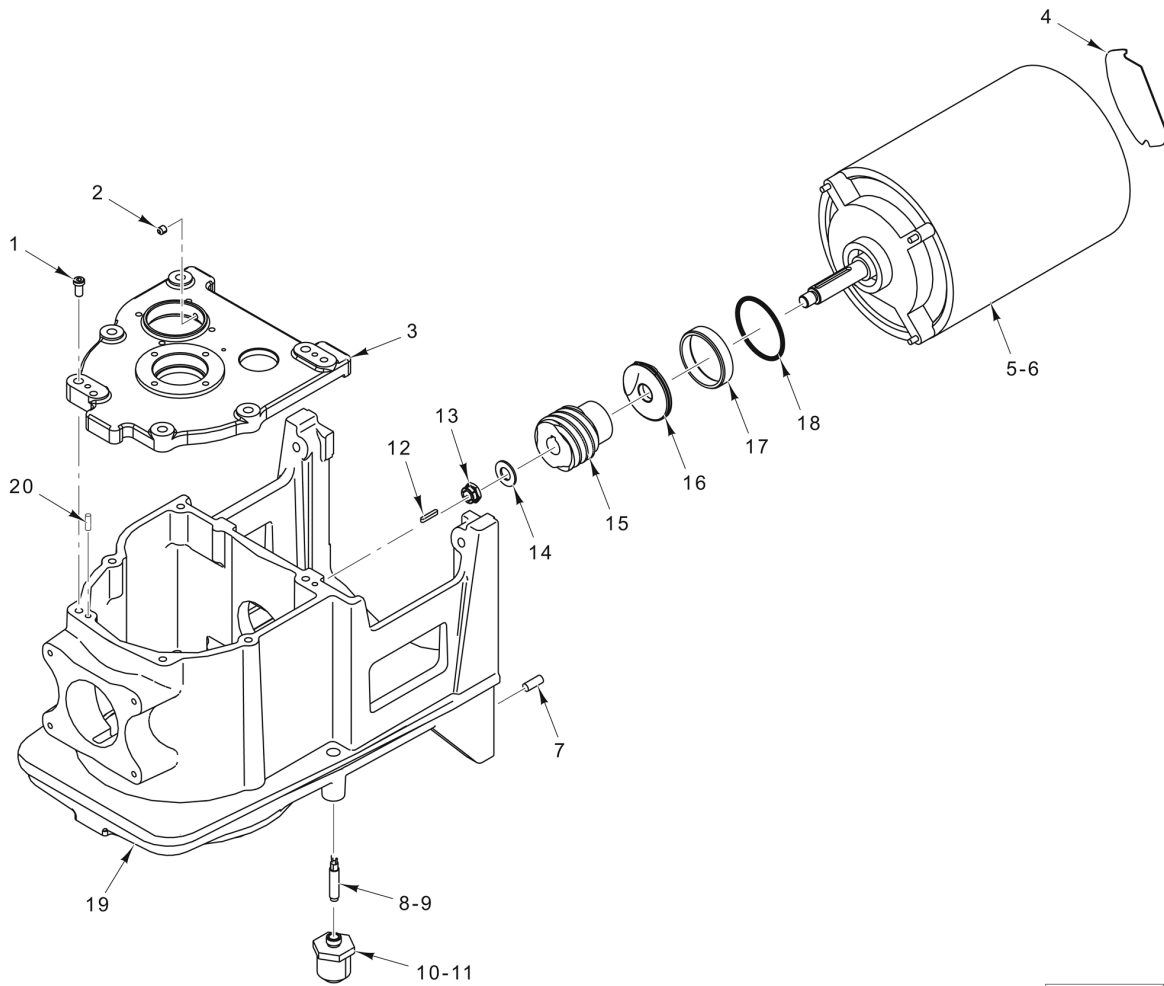


PL-58598

ATTACHMENT HUB

ATTACHMENT HUB

ILLUS.	PART NO.	NAME OF PART	AMT.
PL-58598			
1	SC-093-23	Mach. Screw 10-24 x 3/8 Phil. Pan Hd. (ML-134364).....	1
2	00-875989	Cover - Attachment Hub (ML-134364).....	1
3	00-875991	Bushing - Cover Mounting (ML-134364).....	1
4	00-875988	Bracket - Cover Mounting (ML-134364).....	1
5	SC-093-23	Mach. Screw 10-24 x 3/8 Phil. Pan Hd. (ML-134364).....	2
6	NS-046-28	Stop Nut - Special 10-24 High Crown (SST) (ML-134364).....	1
7	SC-115-37	Mach. Screw 8-32 x 3/4 Slotted Oval Hd.....	4
8	00-917222	Panel - Front.....	1
9	00-875813	Seal - Front Cover.....	1
10	SC-040-09	Cap Screw 1/4-20 x 1-1/4 Hex Socket Hd.....	4
11	00-916662-00002	Hub - Attachment.....	1
12	00-916733	Seal - Attachment Hub.....	1
13	BN-005-12	Bearing - Needle (Pre-Greased).....	2
14	00-061920-00001	Washer - Thrust (0.076 Thk.).....	AR
15	00-061920-00002	Washer - Thrust (0.079 Thk.).....	AR
16	00-061920-00003	Washer - Thrust (0.082 Thk.).....	AR
17	00-061920-00004	Washer - Thrust (0.085 Thk.).....	AR
18	00-061920-00005	Washer - Thrust (0.088 Thk.).....	AR
19	00-061920-00006	Washer - Thrust (0.091 Thk.).....	AR
20	00-061920-00007	Washer - Thrust (0.094 Thk.).....	AR
21	00-061920-00008	Washer - Thrust (0.097 Thk.).....	AR
22	00-061920-00009	Washer - Thrust (0.100 Thk.).....	AR
23	00-061920-00010	Washer - Thrust (0.103 Thk.).....	AR
24	00-061920-00011	Washer - Thrust (0.106 Thk.).....	AR
25	00-916601-00002	Gear - Drive Attachment (Incls. Item 26).....	1
26	PL-003-17	Plug - Expansion.....	1
27	00-108197-00001	Thumb Screw 1-1/4.....	1
28	OR-001-09	O-Ring.....	1
29	00-917221	Plug - Attachment (All Except ML-134364) (Plastic).....	1
	00-938670	Plug - Attachment (Metallic)(Starting S/N: 311628503).....	1
30	00-874925-00005	Seal - Neoprene.....	1
31	00-874925-00008	Seal - Neoprene.....	1
32	00-874925-00009	Seal - Neoprene.....	1

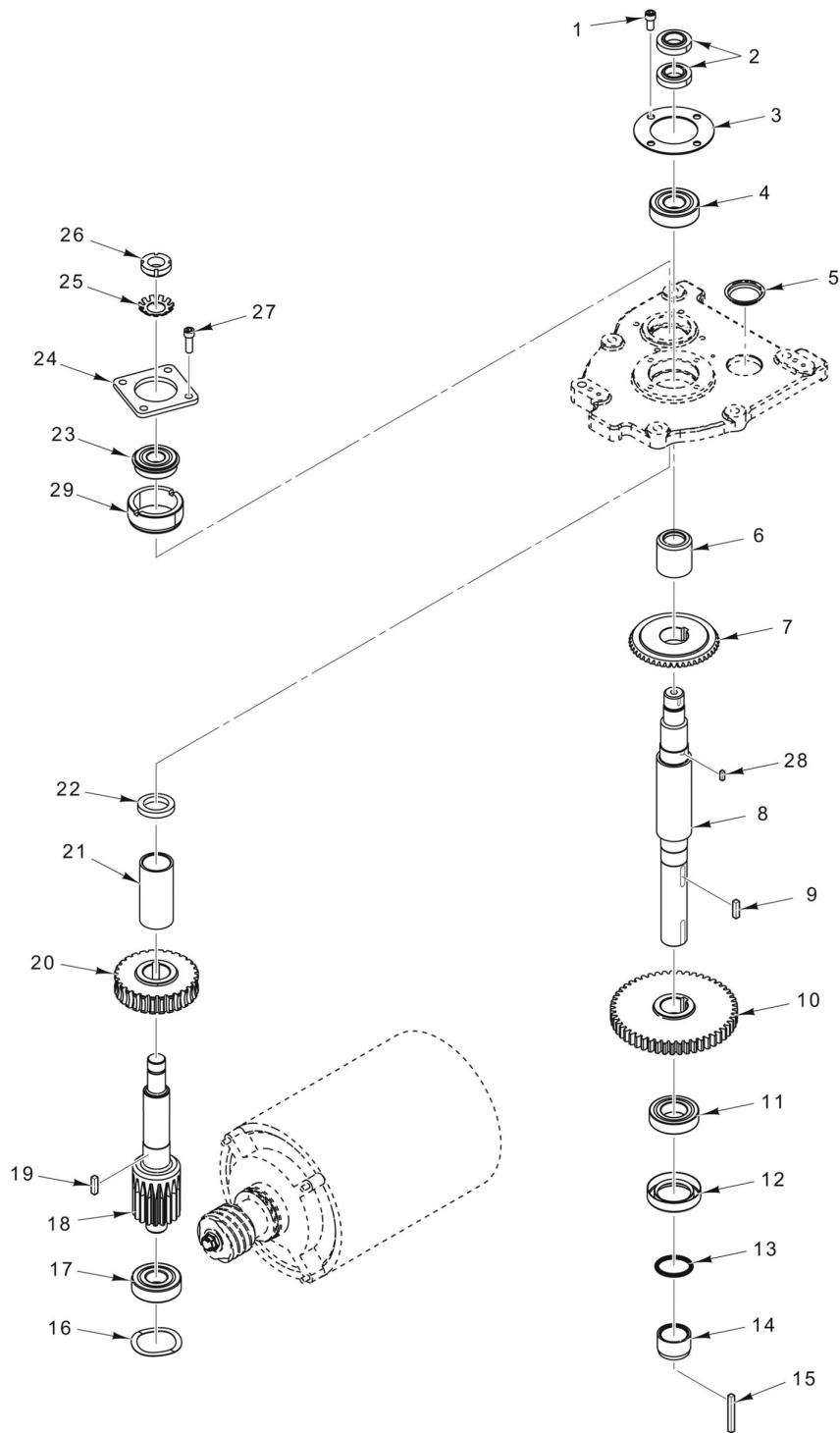


PL-58599

TRANSMISSION CASE AND MOTOR

TRANSMISSION CASE AND MOTOR

ILLUS. PL-58599	PART NO.	NAME OF PART	AMT.
1	SC-040-15	Cap Screw 5/16-18 x 1-1/4 Hex Socket Hd.....	6
2	SC-047-09	Set Screw 1/4-20 x 1/4 Hex Hdls., Cup Pt.....	2
3	00-913102-00212	Kit - Top Cover (Incls. Item 2 & Sleeve).....	1
4	00-916220	Plate - Motor Access.....	1
5	00-917096	Motor Assy. (ML-134364, ML-134369, & ML-141038).....	1
6	00-916446	Motor (ML-134390 & ML-134454).....	1
7	00-011800-00141	Dowel 1/16 x 1-3/16.....	2
8	00-874929	Switch - Reed (ML-134364, ML-134369, & ML-141038).....	1
9	00-087711-00352	Switch - Reed (ML-134390 & ML-134454).....	1
10	00-917600	Holder - Reed Switch (ML-134364, ML-134369, & ML-141038).....	1
11	00-917596	Holder - Reed Switch (Fused) (ML-134390 & ML-134454).....	1
12	00-012430-00069	Key 3/16 x 3/16 x 1-39/64.....	1
13	NS-032-23	Lock Nut 7/16-20 Special.....	1
14	WS-021-08	Washer.....	1
15	00-916338	Worm - Motor.....	1
16	00-916388	Deflector - Grease (LH).....	1
17	00-916445	Bushing - Motor.....	1
18	00-067500-00057	O-Ring.....	1
19	00-916326-00003	Transmission.....	1
20	00-011800-00187	Dowel.....	2

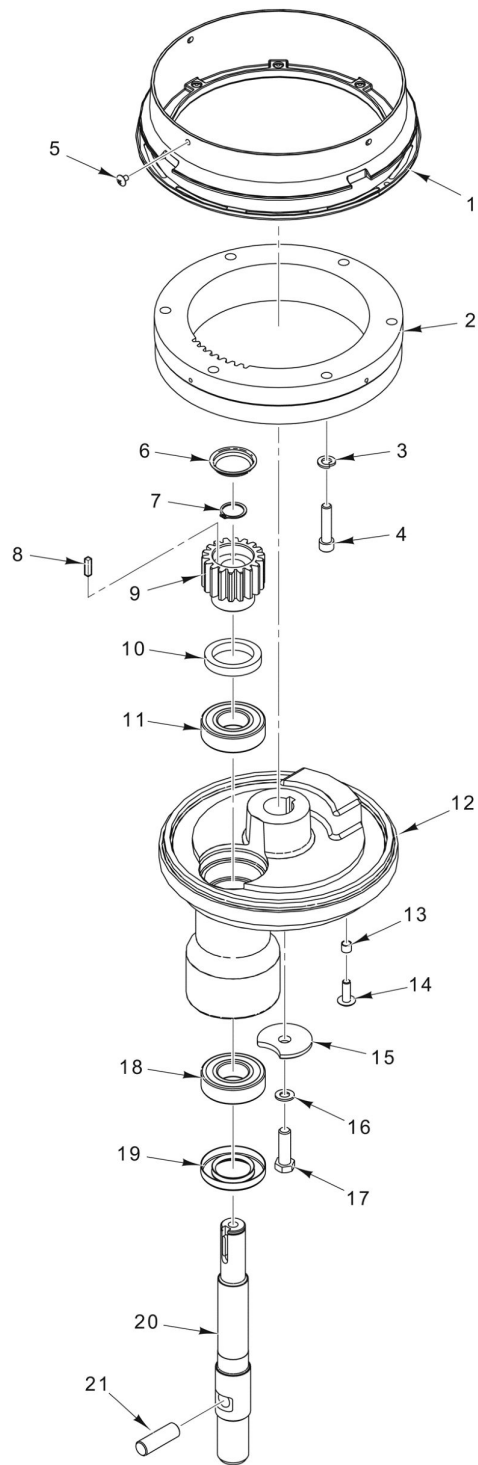


PL-58600

TRANSMISSION

TRANSMISSION

ILLUS.	PART NO.	NAME OF PART	AMT.
1	SC-089-01	Cap Screw 1/4-20 x 1/2 Hex Socket Hd.....	4
2	00-937473	Nut 3/4-16 (LH Thread).....	2
3	00-916439-00002	Retainer - Planetary.....	1
4	BB-005-34	Ball Bearing.....	1
5	00-064871	Plug - Friction.....	1
6	00-916665	Spacer - Upper Planetary.....	1
7	00-070020-00002	Gear - Bevel (46T).....	1
8	00-916667	Shaft - Planetary.....	1
9	00-012430-00136	Key.....	1
10	00-916666	Gear - Helical (51T).....	1
11	BB-015-08	Bearing - Ball.....	1
12	00-110334	Seal - Planetary.....	1
13	00-067500-00068	O-Ring.....	1
14	00-916663	Spacer - Lower Planetary.....	1
15	00-012430-00158	Key.....	1
16	SL-005-04	Spring - Loading.....	1
17	BB-005-34	Ball Bearing.....	1
18	00-916340	Shaft - Worm Gear.....	1
19	00-012430-00138	Key 1/4 Sq. x 3/4 Lg.....	1
20	00-916339	Gear - Worm.....	1
21	00-916357	Spacer - Input Shaft.....	1
22	00-916358	Spacer - Upper Input Shaft.....	1
23	BB-021-21	Bearing - Ball.....	1
24	00-916438	Retainer - Wormwheel.....	1
25	WL-012-04	Lockwasher N.D. #W-03.....	1
26	NS-034-04	Lock Nut N.D. #N-03.....	1
27	SC-089-02	Cap Screw 1/4-20 x 3/4 Hex Socket Hd.....	4
28	00-012430-00134	Key.....	1
29	00-271301-00002	Sleeve - Worm Gear Adjustment.....	AR

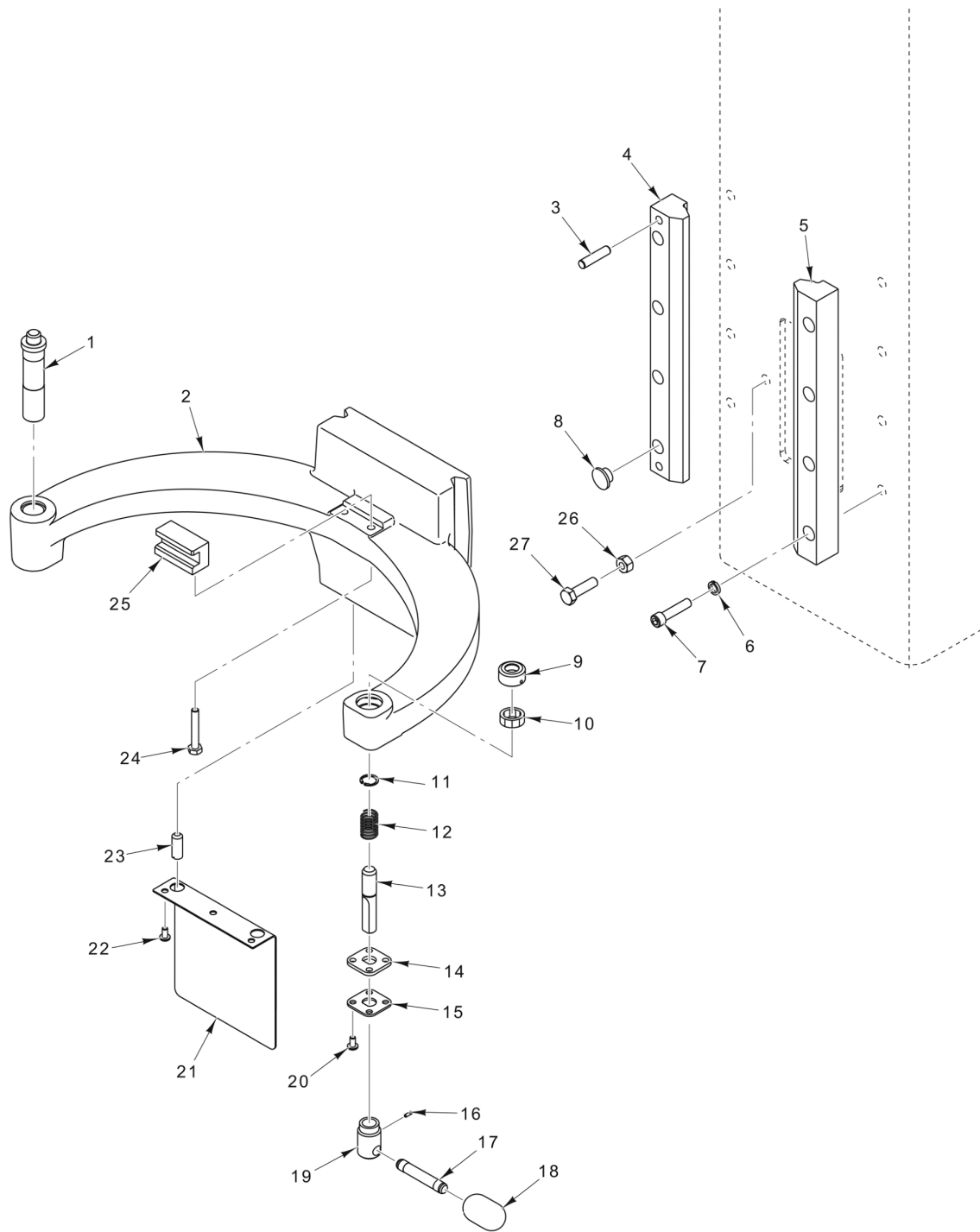


PL-58601

PLANETARY

PLANETARY

ILLUS.	PART NO.	NAME OF PART	AMT.
PL-58601			
1	00-917253	Drip Cup - Flange.....	1
2	00-916416-00001	Gear - Internal.....	1
3	WL-003-48	Lockwasher 5/16 High Collar.....	6
4	SC-089-19	Cap Screw 5/16-18 x 1-3/8 Hex Socket Hd.....	6
5	SC-093-03	Mach. Screw 8-32 x 3/8 Slotted Pan Hd. (SST).....	3
6	00-064871	Plug - Friction.....	1
7	RR-004-06	Retaining Ring.....	1
8	00-012430-00142	Key 1/4 x 1/4 x 1.....	1
9	00-916461	Pinion - Agitator Shaft.....	1
10	00-916563	Seal - Upper Agitator Shaft.....	1
11	BB-005-34	Ball Bearing.....	1
12	00-916435	Planetary.....	1
13	00-874770	Spacer - Bowl Scraper.....	2
14	SC-053-46	Mach. Screw 1/4-20 x 3/4 Slotted Truss Hd. (SST).....	2
15	00-917743	Washer - Planetary Assy.....	1
16	WL-006-28	Lockwasher 3/8 Helical.....	1
17	SC-062-58	Cap Screw 3/8-24 x 1-1/4 Hex Hd.....	1
18	BB-017-36	Ball Bearing - SKF #6205Z.....	1
19	00-110335	Seal - Agitator Shaft.....	1
20	00-916457	Shaft - Agitator.....	1
21	00-070019	Pin - Agitator.....	1

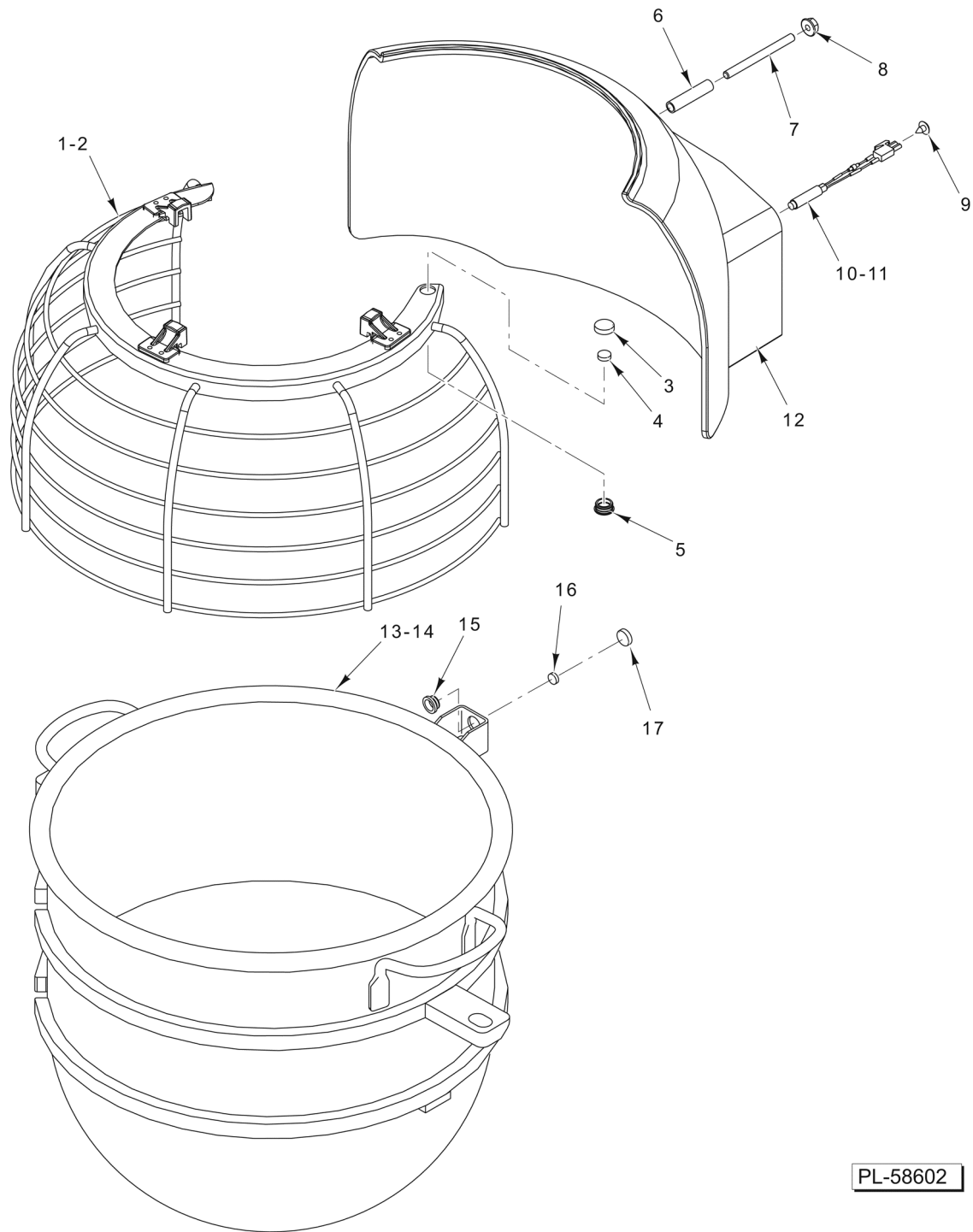


PL-58603

BOWL SUPPORT

BOWL SUPPORT

ILLUS.	PART NO.	NAME OF PART	AMT.
PL-58603			
1	00-916516	Pin - Bowl (LH).....	1
2	00-916497	Support - Bowl.....	1
3	00-968081-00001	Dowel.....	2
4	00-916365-00001	Slideway - Bowl Lift (LH).....	1
5	00-916365-00002	Slideway - Bowl Lift (RH).....	1
6	WL-003-48	Lockwasher 5/16 High Collar.....	8
7	SC-089-19	Cap Screw 5/16-18 x 1-3/8 Hex Socket Hd.....	8
8	PB-004-96	Cap.....	8
9	00-916501	Ramp.....	1
10	00-916502	Bushing - Split.....	1
11	RR-012-30	Retaining Ring.....	1
12	00-916488	Spring - Compression.....	1
13	00-916505	Pin - Bowl (RH).....	1
14	00-916550	Glide - Bowl Release.....	1
15	00-916506	Plate - Bowl Release.....	1
16	SC-047-74	Set Screw 8-32 x 1/4 Hdls. Cup Pt.....	1
17	00-916552	Shaft - Bowl Pin Handle.....	1
18	00-875356	Handle - Lift Lever.....	1
19	00-916503	Block - Bowl Handle.....	1
20	SC-109-62	Mach. Screw 10-24 x 3/8 Slotted Pan Hd.....	4
21	00-916470	Apron - Lower.....	1
22	SC-109-62	Mach. Screw 10-24 x 3/8 Slotted Pan Hd.....	3
23	SC-047-46	Set Screw 3/8-16 x 1-1/4 Hex Hdls., Half Dog Pt.....	2
24	SC-097-15	Cap Screw 1/4-20 x 1-5/8 Hex Hd.....	2
25	00-916515	Catch - Rear Bowl.....	1
26	NS-013-14	Nut 5/16-18 Hex.....	2
27	SC-041-14	Cap Screw 5/16-18 x 1-1/8 Hex Hd. (SST).....	2

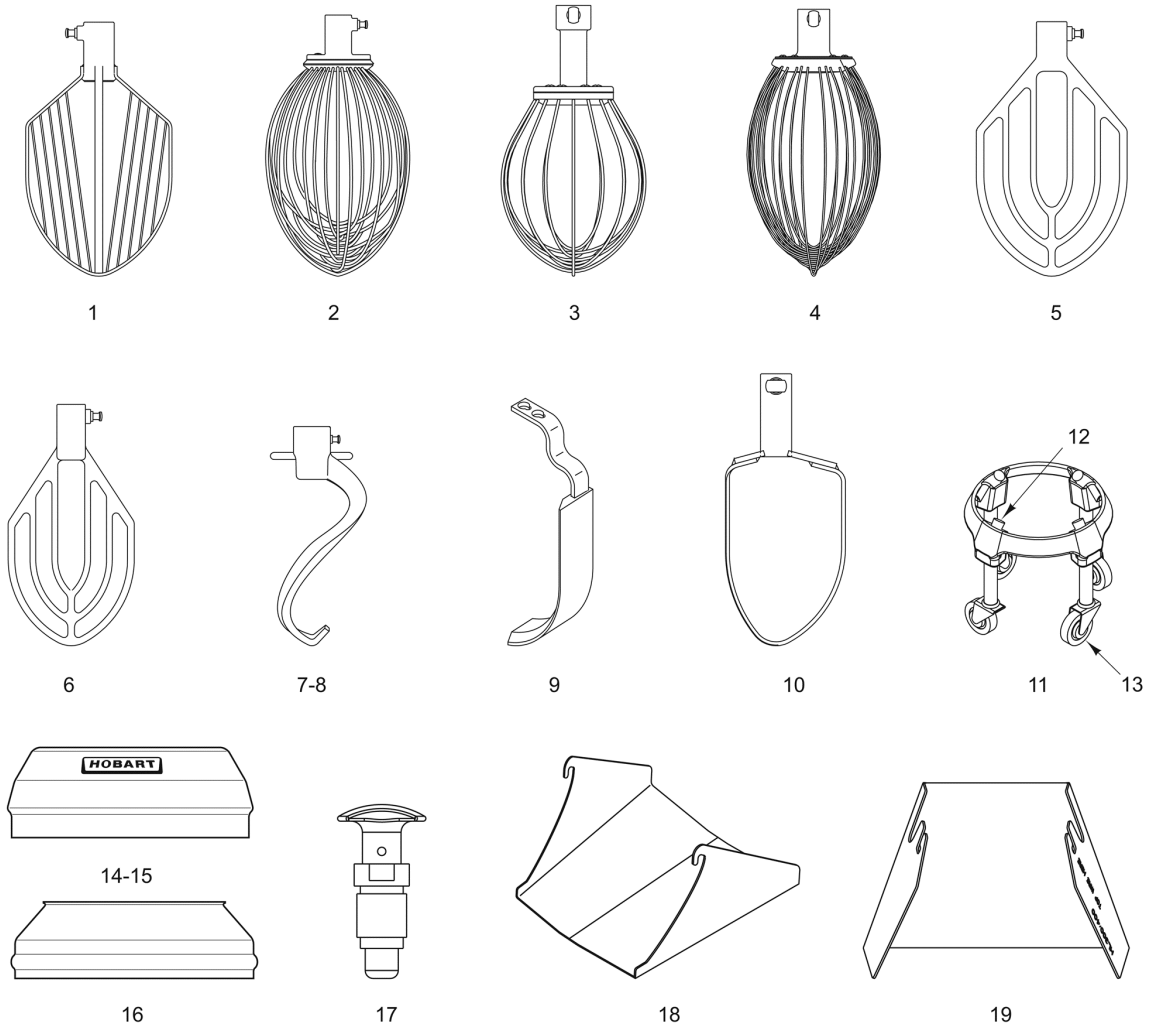


PL-58602

BOWL AND BOWL GUARD

BOWL AND BOWL GUARD

ILLUS.	PART NO.	NAME OF PART	AMT.
1	00-916423-00001	Cage - Wire Weldment (ML-134364, ML-134390, ML-134454, & ML-141038).....	1
2	00-916423-00003	Cage - Wire Weldment (ML-134369).....	1
3	00-917357	Holder - Magnet (Upper).....	1
4	00-874875	Magnet - Disc.....	1
5	00-917358	Holder - Magnet (Lower).....	1
6	00-916610	Spacer - Splash Guard.....	4
7	00-916671	Rod - Splash Guard.....	4
8	NS-038-04	Lock Nut 1/4-20.....	4
9	SD-034-19	Self-Tapping Screw 10-16 x 3/8 Phil. Truss Hd., Type AB.....	1
10	00-874929	Switch - Reed (Fused) (ML-134364, ML-134369, & ML-141038).....	1
11	00-087711-00352	Switch - Reed (ML-134390 & ML-134454).....	1
12	00-917228	Guard - Splash Back.....	1
13	00-916617	Bowl Assy. (20 Qt.) (Incls. Items 15, 16, & 17).....	1
14	00-916616	Bowl Assy. (30 Qt.) (Incls. Items 15, 16, & 17).....	1
15	00-917358	Holder - Magnet (Lower).....	1
16	00-874875	Magnet - Disc.....	1
17	00-917357	Holder - Magnet (Upper).....	1
	00-937210-00001	Wire Cage Assy. (Incls. Items 1, 3, 4, & 5) (ML-134364, ML-134390, ML-134454, & ML-141038).....	1
	00-937210-00003	Wire Cage Assy. (Incls. Items 2 thru 5) (ML-134369).....	1

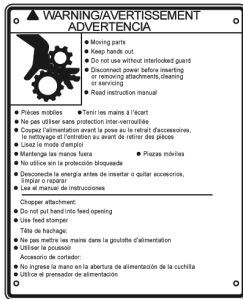


PL-58604

AGITATORS AND ACCESSORIES

AGITATORS AND ACCESSORIES

ILLUS.	PART NO.	NAME OF PART	AMT.
PL-58604			
1	00-916573	"C" Wire Whip (30 & 40 Qt.) (Packaged).....	1
2	00-916598	"D" Wire Whip (20 Qt.) (Packaged).....	1
3	00-916520	"I" Wire Whip (30 & 40 Qt.) (Packaged).....	1
4	00-916421	"D" Wire Whip (30 & 40 Qt.) (Packaged).....	1
5	00-916372	"B" Beater (30 & 40 Qt.) (Packaged).....	1
6	00-916582	"B" Flat Beater (20 Qt.) (Packaged).....	1
7	00-916827	"ED" Dough Arm (20 Qt.) (Packaged).....	1
8	00-916618-00001	"ED" Hook (30 & 40 Qt.) (Packaged).....	1
9	00-916838	Bowl Scraper (30 Qt.) (Packaged).....	1
10	00-916481	"P" Pastry Knife (30 & 40 Qt.) (Packaged).....	1
11	00-916883	Bowl Truck Assy.....	1
12	00-018682-00001	Foot.....	4
13	00-087668-00002	Caster.....	4
14	00-438079	Splash Cover & Bowl Extension (20 Qt.) (Packaged) (Lexan).....	1
15	00-438080	Splash Cover Assy. - 30 Qt. (Packaged) (Lexan).....	1
16	00-875677	Splash Cover (20 Qt.) (Packaged) (SST).....	1
17	00-874753	Plunger Assy.....	1
18	00-916684	Ingredient Chute (20 Qt.) (Packaged).....	1
19	00-438607	Ingredient Chute (30 Qt.) (Packaged).....	1



1



PL-65198

LABELS & NAMEPLATES

LABELS & NAMEPLATES

ILLUS.	PART NO.	NAME OF PART	AMT.
PL-PL-65198			
1	00-916957-00064	Label - Warning, Moving Parts (Trilingual).....	1
2	00-938643	Label, Legacy "+" Medium (2.81" X .478")(Starting S/N: 311628503).....	1

