



CATALOG OF REPLACEMENT PARTS

HL300 LVN/HVN Navy Mixer

ML-141164

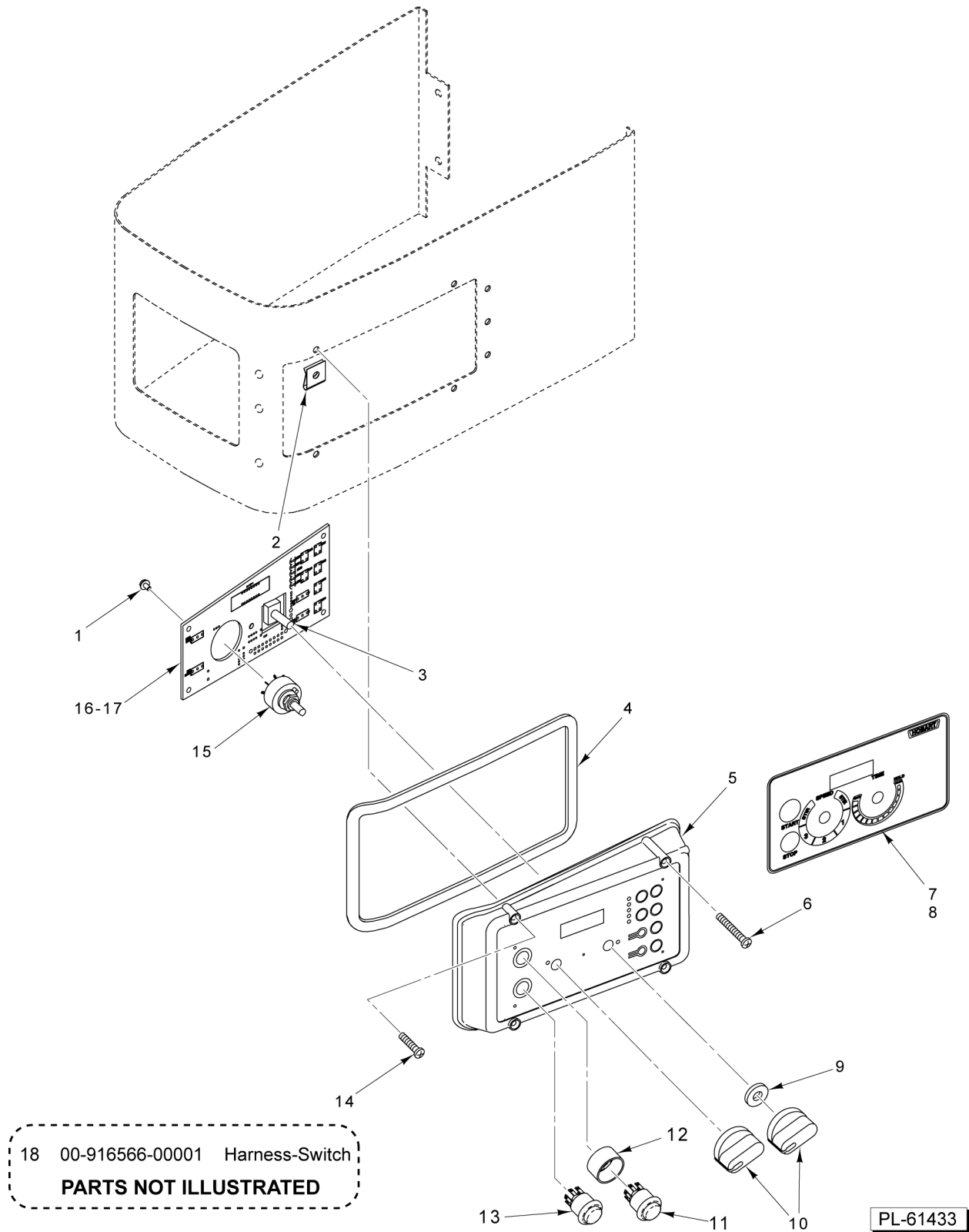
HL300 NAVY



33480

Table of Contents

5	CONTROL PANEL
7	ELECTRICAL COMPONENTS
9	BASE AND PEDESTAL
11	ATTACHMENT HUB
13	TRANSMISSION CASE AND MOTOR
15	TRANSMISSION
17	PLANETARY
19	BOWL AND BOWL GUARD
21	BOWL SUPPORT
23	AGITATORS AND ACCESSORIES



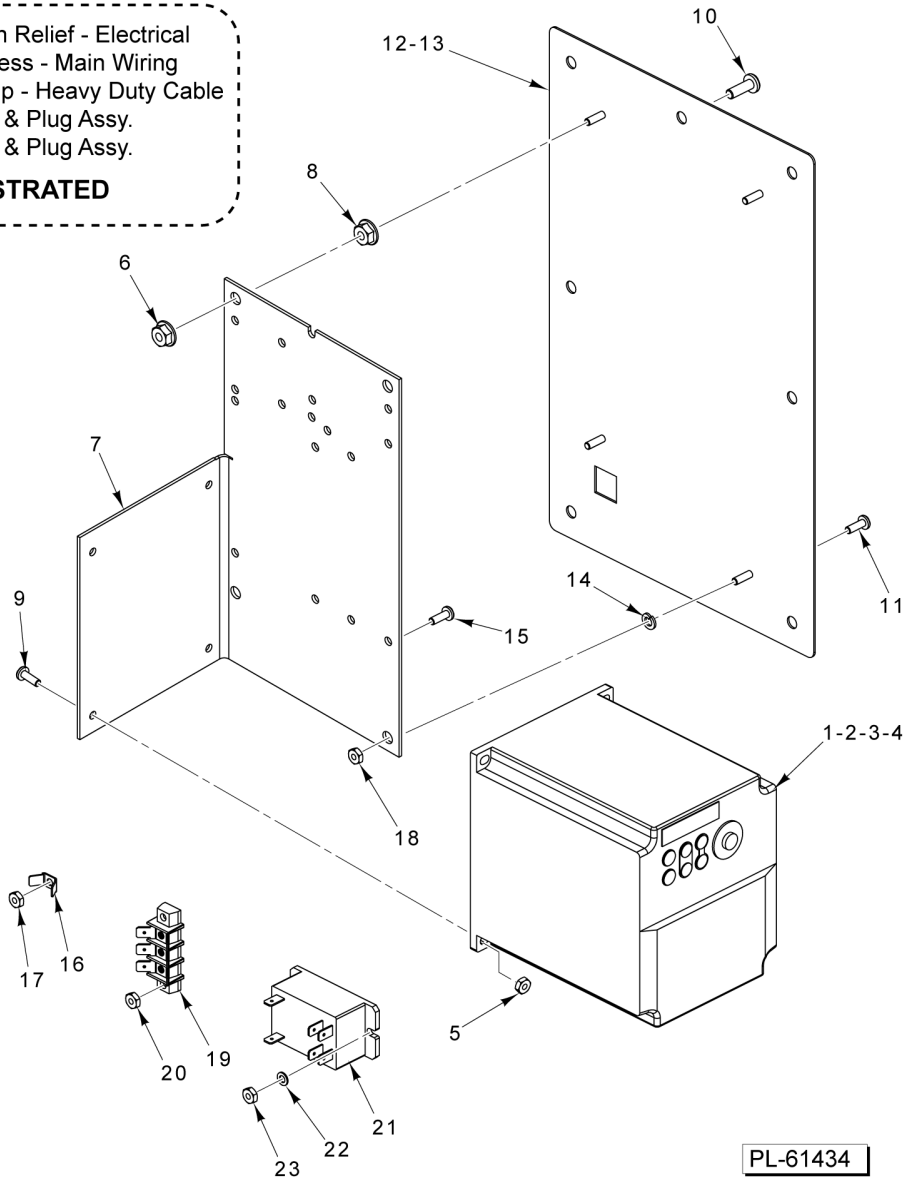
CONTROL PANEL

CONTROL PANEL

ILLUS.	PART NO.	NAME OF PART	AMT.
PL-61433			
1	SD-039-23	Self-Tapping Screw 6-32 x 1/4 Hex Washer Hd., Type RL.....	5
2	00-874338	Fastener - Self-Retaining.....	4
3	00-916594	Potentiometer Assy.....	1
4	00-916613	Seal - Control Panel.....	1
5	00-917302	Panel - Control.....	1
6	SC-128-40	Mach. Screw 8-32 x 2-1/4 Phil. Oval Hd. (SST).....	2
7	00-937066	Overlay - Standard (6-Position Speed Selector).....	1
8	00-937069	Overlay - Recipe (6-Position Speed Selector).....	1
9	WS-031-55	Washer (Rubber).....	1
10	00-874809	Knob.....	2
11	00-916593	Switch - Sealed Dome (Start).....	1
12	00-916958-00002	Guard - Switch.....	1
13	00-916592	Switch - Sealed Dome (Stop).....	1
14	SC-128-39	Mach. Screw 8-32 x 1-1/2 Phil. Oval Hd. (SST).....	2
15	00-937061	Switch - Speed Selector Assy. (6-Position).....	1
16	00-937135	PCB Assy. (Standard) (6-Position Speed Selector).....	1
17	00-937136	PCB Assy. (Recipe Timer) (6-Position Speed Selector).....	1
18	00-916566-00001	Harness - Switch.....	1

- | | | |
|----|-----------------|----------------------------|
| 24 | FE-026-34 | Strain Relief - Electrical |
| 25 | 00-916649 | Harness - Main Wiring |
| 26 | 00-971161 | Clamp - Heavy Duty Cable |
| 27 | 00-874833-00001 | Cord & Plug Assy. |
| 28 | 00-874833-00002 | Cord & Plug Assy. |

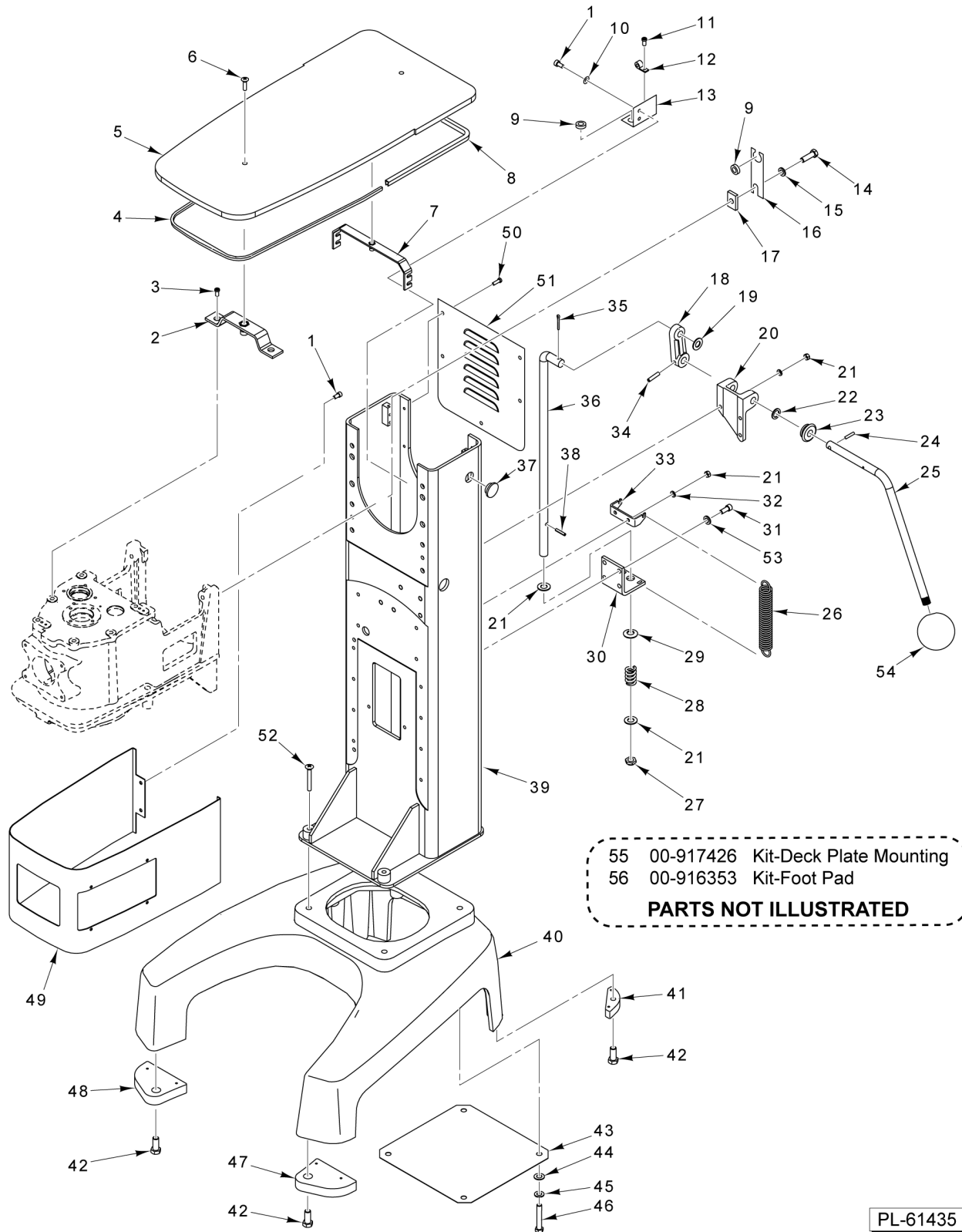
PARTS NOT ILLUSTRATED



ELECTRICAL COMPONENTS

ELECTRICAL COMPONENTS

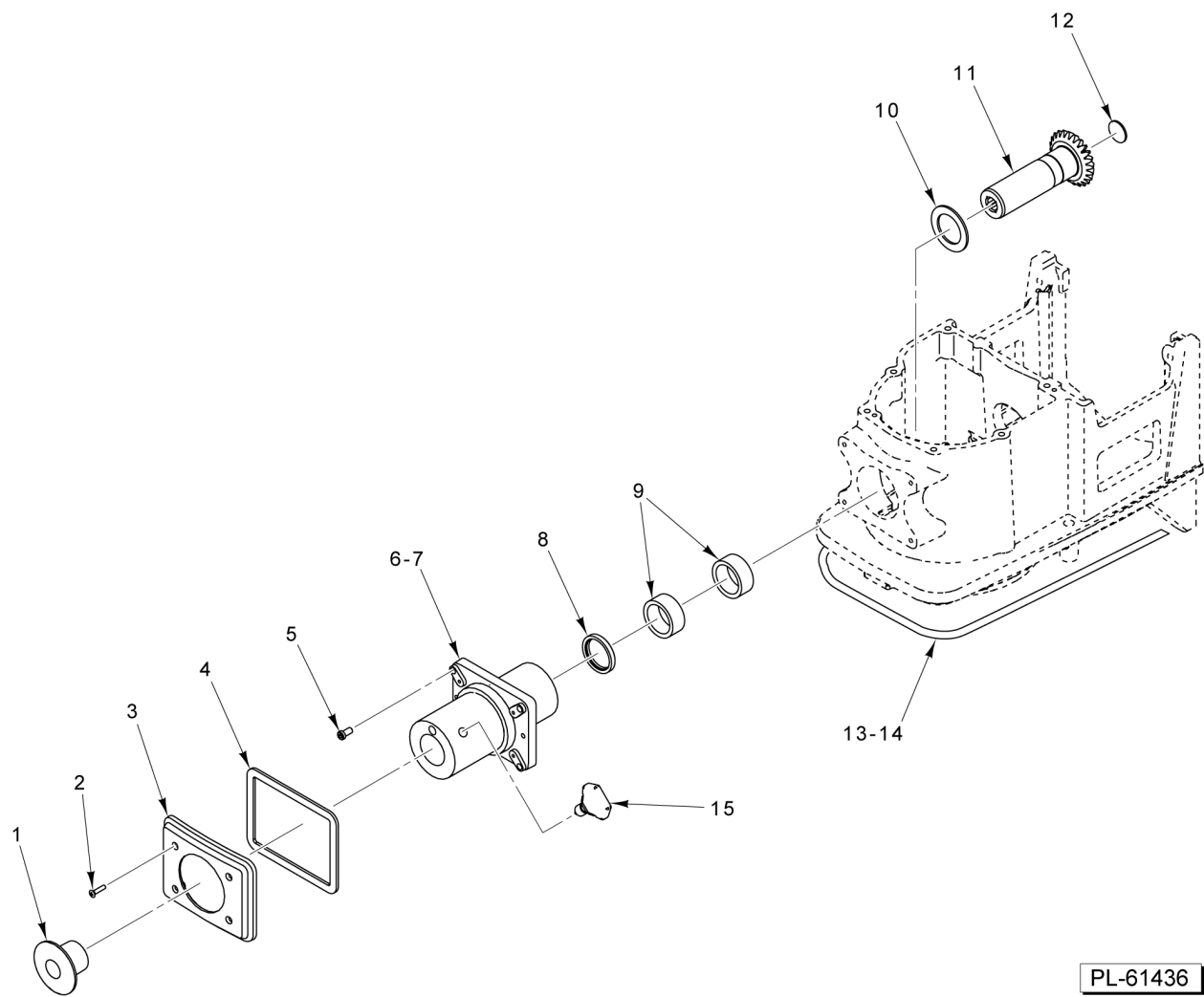
ILLUS.	PART NO.	NAME OF PART	AMT.
PL-61434			
1	00-916761	Controller (100/120 V., 50/60 Hz., 1 Ph.).....	1
2	00-916762	Controller (200/230 V., 50/60 Hz., 1 Ph.).....	1
3	00-916763	Controller (200/230 V., 50/60 Hz., 3 Ph.).....	1
4	00-916764	Controller (380/480 V., 50/60 Hz., 3 Ph.).....	1
5	WS-023-48	Washer.....	4
6	NS-038-04	Lock Nut 1/4-20.....	4
7	00-937859	Plate - Controller Mounting.....	1
8	NS-038-04	Lock Nut 1/4-20.....	4
9	SC-018-34	Mach. Screw 8-32 x 1/2 Phil. Pan Hd.....	4
10	SC-053-46	Mach. Screw 1/4-20 x 3/4 Slotted Truss Hd. (SST).....	7
11	SC-018-33	Mach. Screw 8-32 x 5/16 Phil. Pan Hd.....	1
12	00-916772-00001	Cover - Back & Studs (100/120 V. & 200/230 V., 1 Ph.).....	1
13	00-916772-00002	Cover - Back & Studs (200/230 V. & 380/480 V., 3 Ph.).....	1
14	WL-003-12	Lockwasher #8 Helical.....	1
15	SC-018-34	Mach. Screw 8-32 x 1/2 Phil. Pan Hd.....	5
16	00-065890-00090	Terminal (2-Tab).....	1
17	NS-009-12	Nut 8-32 Hex.....	1
18	NS-038-04	Lock Nut 1/4-20.....	1
19	00-916269	Block - Terminal.....	1
20	NS-009-12	Nut 8-32 Hex.....	2
21	00-087714-042-5	Relay (2-Pole, 30 Amp.).....	1
22	WS-023-48	Washer.....	2
23	NS-009-12	Nut 8-32 Hex.....	2
24	FE-026-34	Strain Relief - Electrical.....	1
25	00-916649	Harness - Main Wiring.....	1
26	00-971161	Clamp - Heavy Duty Cable.....	1
27	00-874833-00001	Cord & Plug Assy. (120 V.).....	1
28	00-874833-00002	Cord & Plug Assy. (220 V.).....	1



BASE AND PEDESTAL

BASE AND PEDESTAL

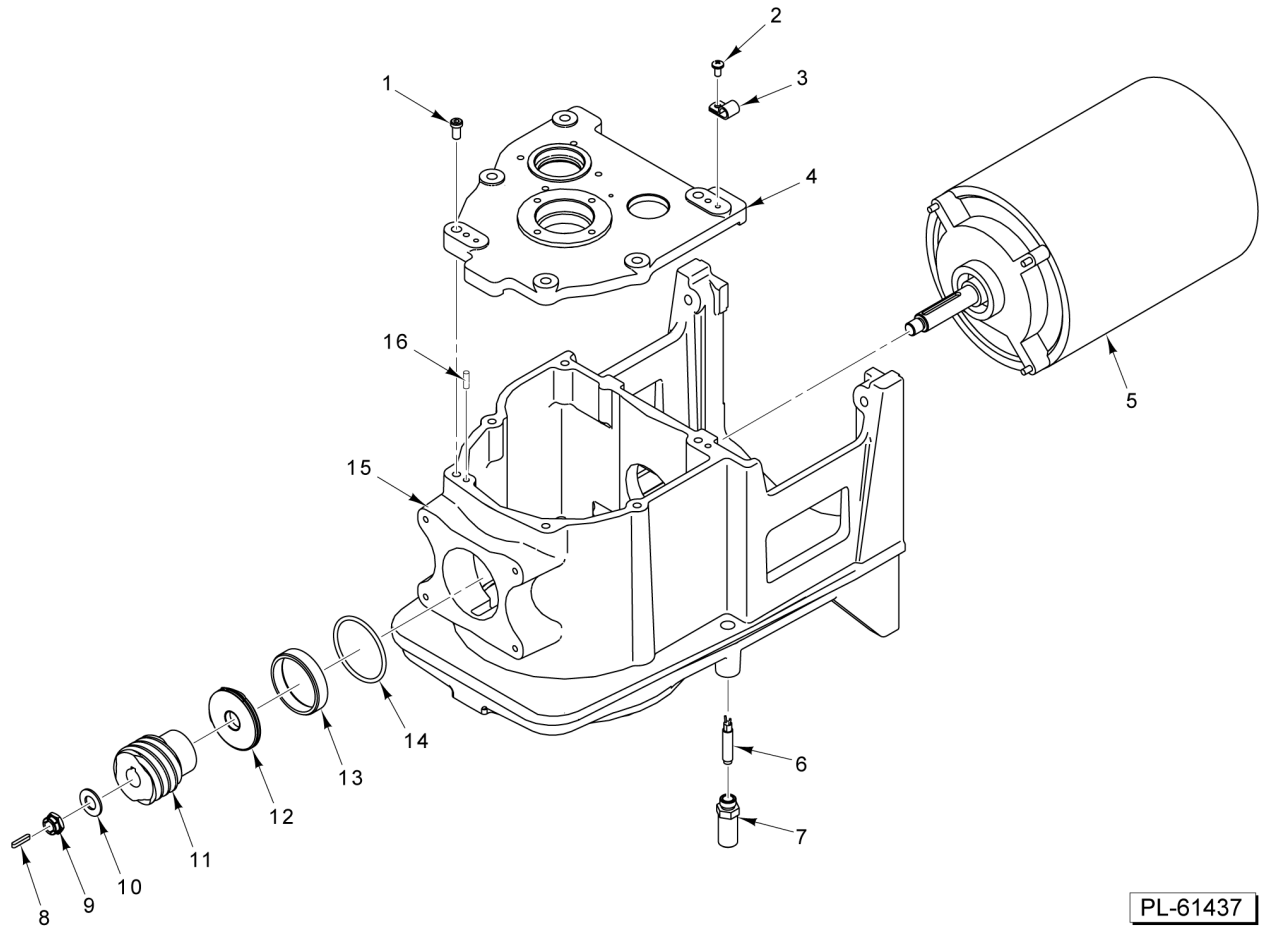
ILLUS.	PART NO.	NAME OF PART	AMT.
PL-61435			
1	SC-129-49	Mach. Screw 1/4-20 x 1/2 Hex Washer Hd. (SST).....	3
2	00-938280	Strap - Front Cover Mounting.....	1
3	SC-089-19	Cap Screw 5/16-18 x 1-3/8 Hex Socket Hd.....	2
4	00-874512-00003	Seal - Top Cover.....	1
5	00-937856	Cover - Top.....	1
6	SC-024-03	Mach. Screw 1/4-20 x 7/8 Slotted Fil. Hd. (SST) (SST).....	2
7	00-938281	Strap - Rear Cover Mounting.....	1
8	00-916535-00001	Seal - Top Cover.....	1
9	FE-021-13	Bushing (Nylon) 1/2 I.D.....	AR
10	WS-003-19	Washer.....	3
11	SD-019-23	Self-Tapping Screw 10-16 x 3/8 Phil. Pan Hd., Type B.....	1
12	00-078752-00009	Clamp - Cable.....	1
13	00-937123	Bracket.....	1
14	SC-118-09	Cap Screw 3/8-16 x 1-1/4 Hex Hd.....	6
15	WL-004-06	Lockwasher 3/8 Helical.....	6
16	00-916815	Plate - Wire Routing.....	1
17	00-271340	Bar - Reinforcing.....	6
18	00-916467	Arm - Bowl Lift.....	1
19	WS-008-47	Washer.....	AR
20	00-916442	Block - Bowl Lift Bearing.....	1
21	NS-013-02	Nut 1/4-20 Hex.....	AR
22	WS-020-01	Washer (SST).....	1
23	00-271343	Grommet - Handle.....	1
24	RP-002-25	Roll Pin 1/8 Dia. x 7/8 Lg.....	1
25	00-937858	Handle - Bowl Lift.....	1
26	00-916463	Spring - Bowl Lift.....	2
27	NS-031-39	Stop Nut 1/2-20 "Elastic".....	1
28	00-070104	Spring - Bowl Lift.....	1
29	00-070131	Washer - Cup Bowl Lift.....	1
30	00-937854	Bracket - Bowl Lift Support.....	1
31	SC-041-13	Cap Screw 5/16-18 x 1 Hex Hd. (SST).....	4
32	WL-003-38	Lockwasher 1/4 Helical.....	2
33	00-916449	Hook - Bowl Lift Spring.....	1
34	PS-004-15	Spiral Pin 1/4 Dia. x 1-1/8 Lg.....	1
35	PC-006-13	Cotter Pin.....	1
36	00-937853	Rod - Bowl Lift.....	1
37	PB-005-30	Plug - Button.....	1
38	RP-002-10	Roll Pin 3/16 Dia. x 1 Lg.....	1
39	00-937852	Column.....	1
40	00-916213-00004	Base.....	1
41	00-916309	Pad - Rear.....	2
42	SC-110-36	Cap Screw 3/8-16 x 1 Hex Flat Hd. (SST).....	AR
43	00-916549	Screen - Air Floor.....	1
44	WS-018-19	Washer.....	4
45	WL-004-04	Lockwasher 3/8 Helical.....	4
46	SC-118-05	Cap Screw 3/8-16 x 2-3/4 Hex Hd.....	4
47	00-916308	Pad - Front (RH).....	1
48	00-916549	Screen - Air Floor.....	1
49	00-916387-00002	Wrapper - Transmission.....	1
50	SC-053-46	Mach. Screw 1/4-20 x 3/4 Slotted Truss Hd. (SST).....	5
51	00-937855	Cover - Rear.....	1
52	00-938602	Screw.....	4
53	WL-006-22	Lockwasher 5/16 Light.....	1
54	00-938579	Knob.....	1
55	00-917426	Kit - Deck Plate Mounting (Incls. 4 Deck Plates and Hardware).....	1
56	00-916353	Kit - Foot Pad (Incls. Items 41, 42, 47, & 48).....	1



ATTACHMENT HUB

ATTACHMENT HUB

ILLUS.	PART NO.	NAME OF PART	AMT.
PL-61436			
1	00-917221	Plug - Attachment.....	1
2	SC-079-04	Mach. Screw 8-32 x 3/4 Phil. Oval Hd. (SST).....	4
3	00-917222	Panel - Front.....	1
4	00-875813	Seal - Front Cover.....	1
5	SC-040-09	Cap Screw 1/4-20 x 1-1/4 Hex Socket Hd.....	4
6	00-916662-00002	Hub - Attachment.....	1
7	OR-001-09	O-Ring.....	1
8	00-916733	Seal - Attachment Hub.....	1
9	BN-005-11	Bearing - Needle.....	2
10	00-061920-00009	Washer - Thrust (0.100 Thk.).....	1
11	00-916601-00002	Gear - Drive Attachment (Incls. Item 13).....	1
12	PL-003-17	Plug - Expansion.....	1
13	00-874925-00008	Seal - Neoprene.....	1
14	00-874925-00009	Seal - Neoprene.....	1
15	00-108197-00001	Thumb Screw 1-1/4.....	1

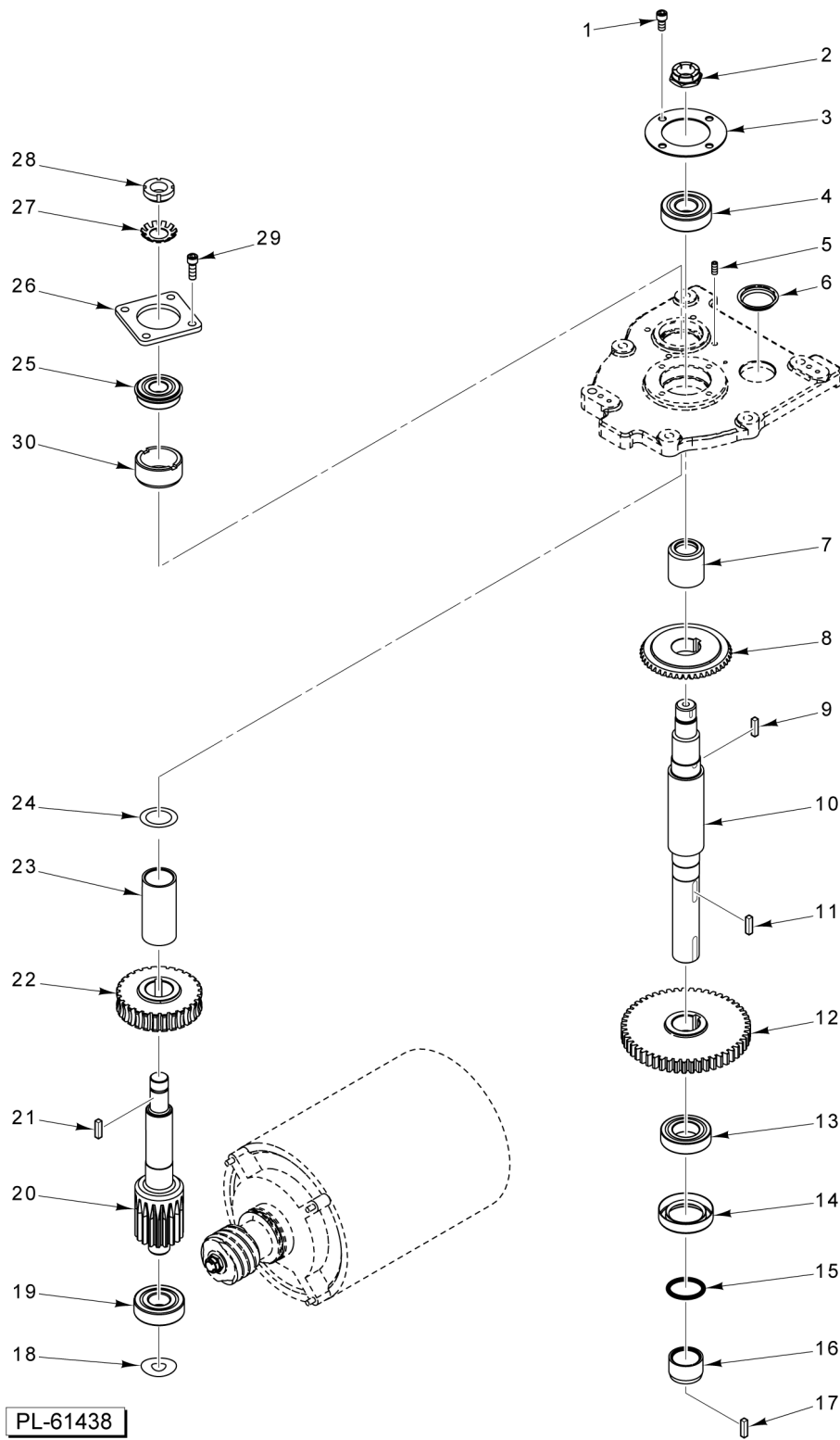


PL-61437

TRANSMISSION CASE AND MOTOR

TRANSMISSION CASE AND MOTOR

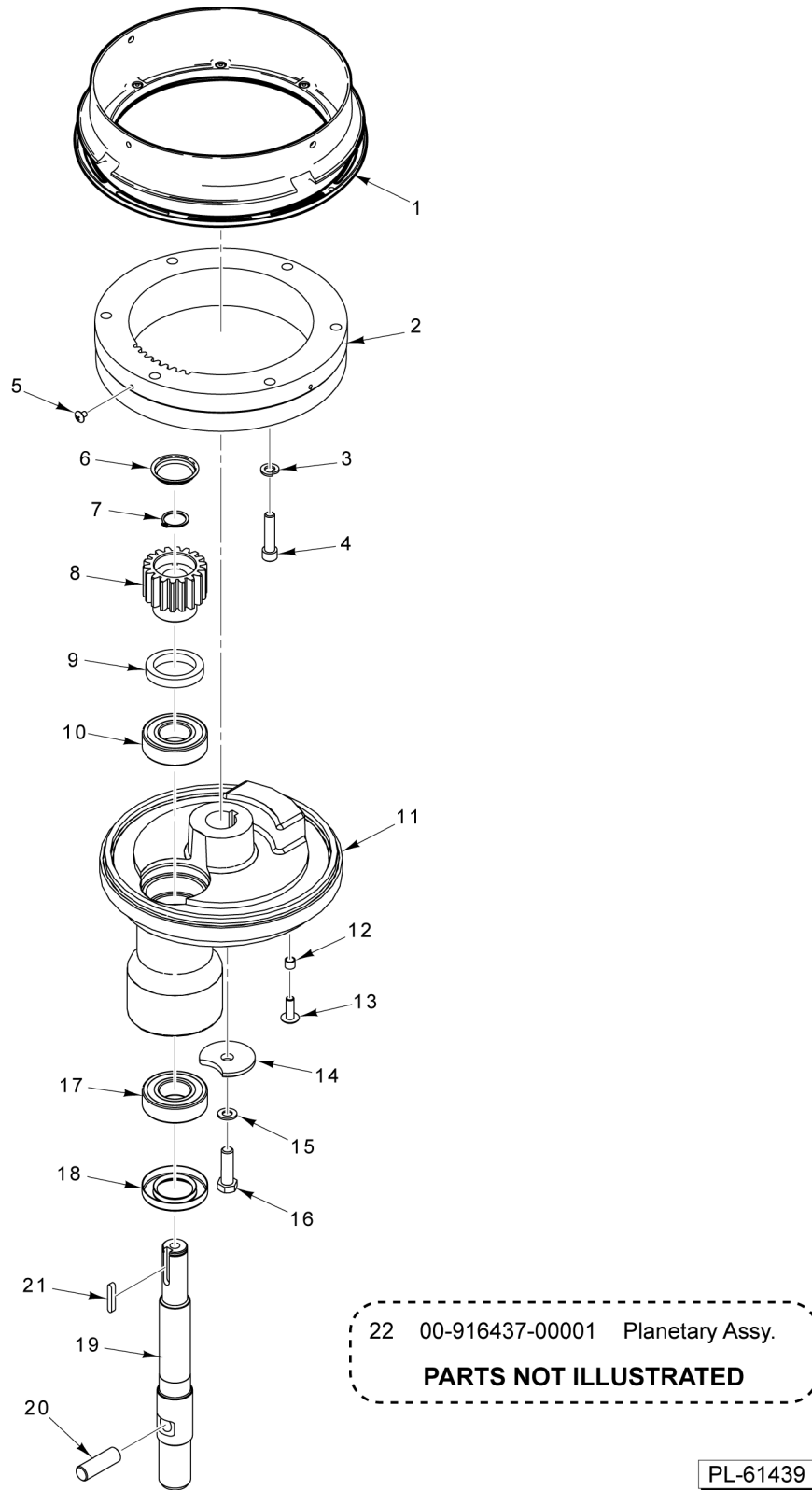
ILLUS.	PART NO.	NAME OF PART	AMT.
PL-61437			
1	SC-040-15	Cap Screw 5/16-18 x 1-1/4 Hex Socket Hd.....	6
2	SC-018-62	Mach. Screw 10-24 x 3/8 Phil. Pan Hd.....	1
3	00-078752-00009	Clamp - Cable.....	1
4	00-916324	Cover - Top.....	1
5	00-916446	Motor.....	1
6	00-087711-00352	Switch - Reed.....	1
7	00-917596	Holder - Reed Switch.....	1
8	00-012430-00069	Key 3/16 x 3/16 x 1-39/64.....	1
9	NS-032-23	Lock Nut 7/16-20 Special.....	1
10	WS-021-08	Washer.....	1
11	00-916338	Worm - Motor.....	1
12	00-937535	Deflector - Grease (RH).....	1
13	00-916445	Bushing - Motor.....	1
14	00-067500-00057	O-Ring.....	1
15	00-916326-00003	Transmission.....	1
16	00-011800-00187	Dowel.....	2



TRANSMISSION

TRANSMISSION

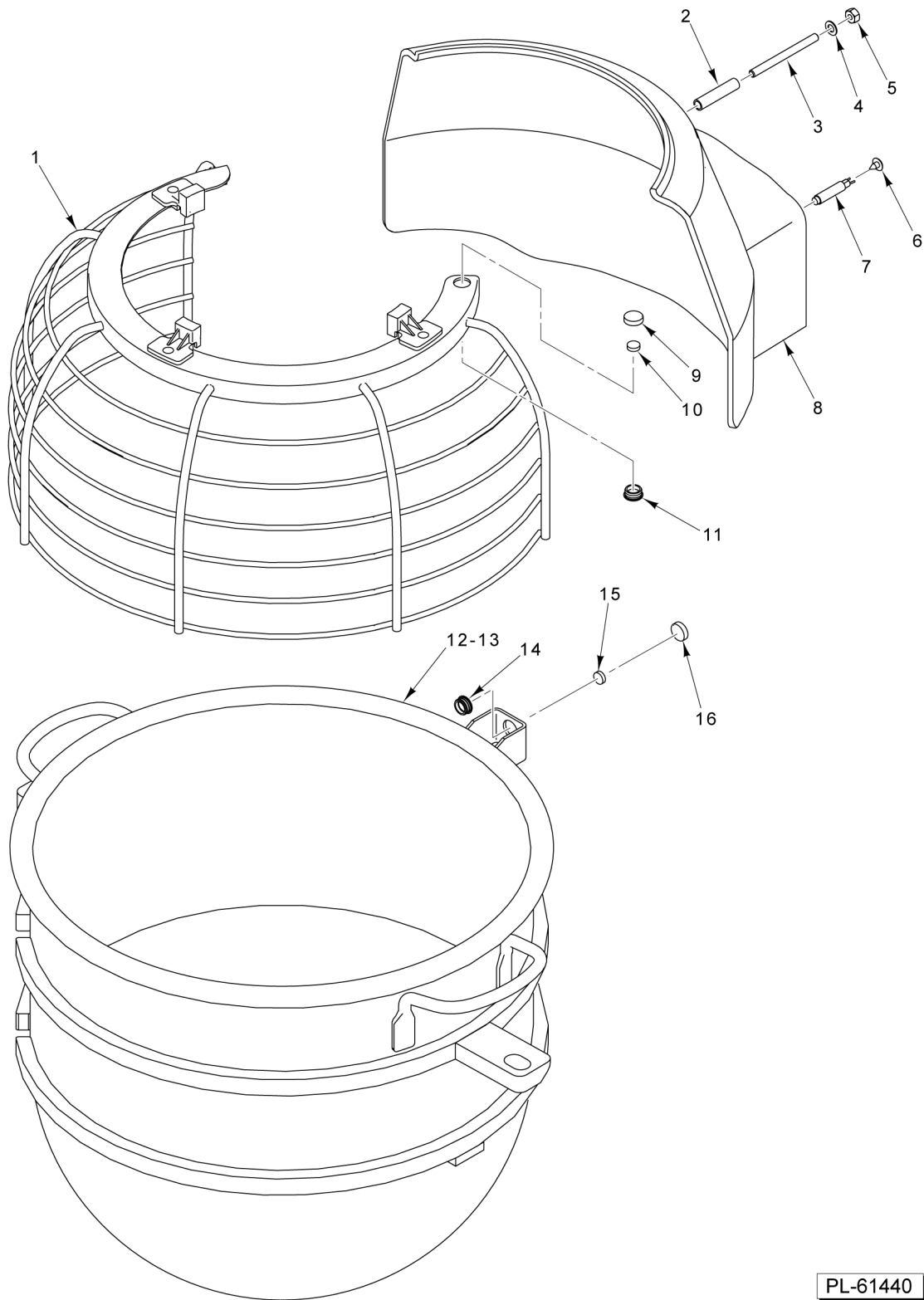
ILLUS.	PART NO.	NAME OF PART	AMT.
PL-61438			
1	SC-089-01	Cap Screw 1/4-20 x 1/2 Hex Socket Hd.....	4
2	00-937473	Nut 3/4-16 (LH Thread).....	2
3	00-916439-00002	Retainer - Planetary.....	1
4	BB-005-34	Ball Bearing.....	1
5	SC-047-09	Set Screw 1/4-20 x 1/4 Hex Hdls., Cup Pt.....	AR
6	00-064871	Plug - Friction.....	1
7	00-916665	Spacer - Upper Planetary.....	1
8	00-070020-00002	Gear - Bevel (46T).....	1
9	00-012430-00134	Key.....	1
10	00-916667	Shaft - Planetary.....	1
11	00-012430-00136	Key.....	1
12	00-916666	Gear - Helical (51T).....	1
13	BB-015-08	Bearing - Ball.....	1
14	00-110334	Seal - Planetary.....	1
15	00-067500-00068	O-Ring.....	1
16	00-916663	Spacer - Lower Planetary.....	1
17	00-012430-00158	Key.....	1
18	SL-005-04	Spring - Loading.....	1
19	BB-005-34	Ball Bearing.....	1
20	00-916340	Shaft - Worm Gear.....	1
21	00-012430-00138	Key 1/4 Sq. x 3/4 Lg.....	1
22	00-916339	Gear - Worm.....	1
23	00-916357	Spacer - Input Shaft.....	1
24	00-916358	Spacer - Upper Input Shaft.....	1
25	BB-021-21	Bearing - Ball.....	1
26	00-916438	Retainer - Wormwheel.....	1
27	WL-012-04	Lockwasher N.D. #W-03.....	1
28	NS-034-04	Lock Nut N.D. #N-03.....	1
29	SC-089-02	Cap Screw 1/4-20 x 3/4 Hex Socket Hd.....	4
30	00-271301-00002	Sleeve - Worm Gear Adjustment.....	AR



PLANETARY

PLANETARY

ILLUS.	PART NO.	NAME OF PART	AMT.
PL-61439			
1	00-916363	Flange - Dripcup.....	1
2	00-916416-00001	Gear - Internal.....	1
3	WL-003-48	Lockwasher 5/16 High Collar.....	6
4	SC-089-19	Cap Screw 5/16-18 x 1-3/8 Hex Socket Hd.....	6
5	SC-066-13	Mach. Screw 8-32 x 1/4 Phil. Truss Hd. (SST).....	3
6	00-064871	Plug - Friction.....	1
7	RR-004-06	Retaining Ring.....	1
8	00-916461	Pinion - Agitator Shaft.....	1
9	00-916563	Seal - Upper Agitator Shaft.....	1
10	BB-020-06	Ball Bearing (Fafnir 204KDFA51580).....	1
11	00-916435	Planetary.....	1
12	00-874770	Spacer - Bowl Scraper.....	2
13	SC-053-46	Mach. Screw 1/4-20 x 3/4 Slotted Truss Hd. (SST).....	2
14	00-917743	Washer - Planetary Assy.....	1
15	WL-006-28	Lockwasher 3/8 Helical.....	1
16	SC-062-58	Cap Screw 3/8-24 x 1-1/4 Hex Hd.....	1
17	BB-017-36	Ball Bearing - SKF #6205Z.....	1
18	00-110335	Seal - Agitator Shaft.....	1
19	00-916457	Shaft - Agitator.....	1
20	00-070019	Pin - Agitator.....	1
21	00-012430-00142	Key 1/4 x 1/4 x 1.....	1
22	00-916437-00001	Planetary Assy. (Incls. Items 7 thru 14 & 18 thru 21).....	1

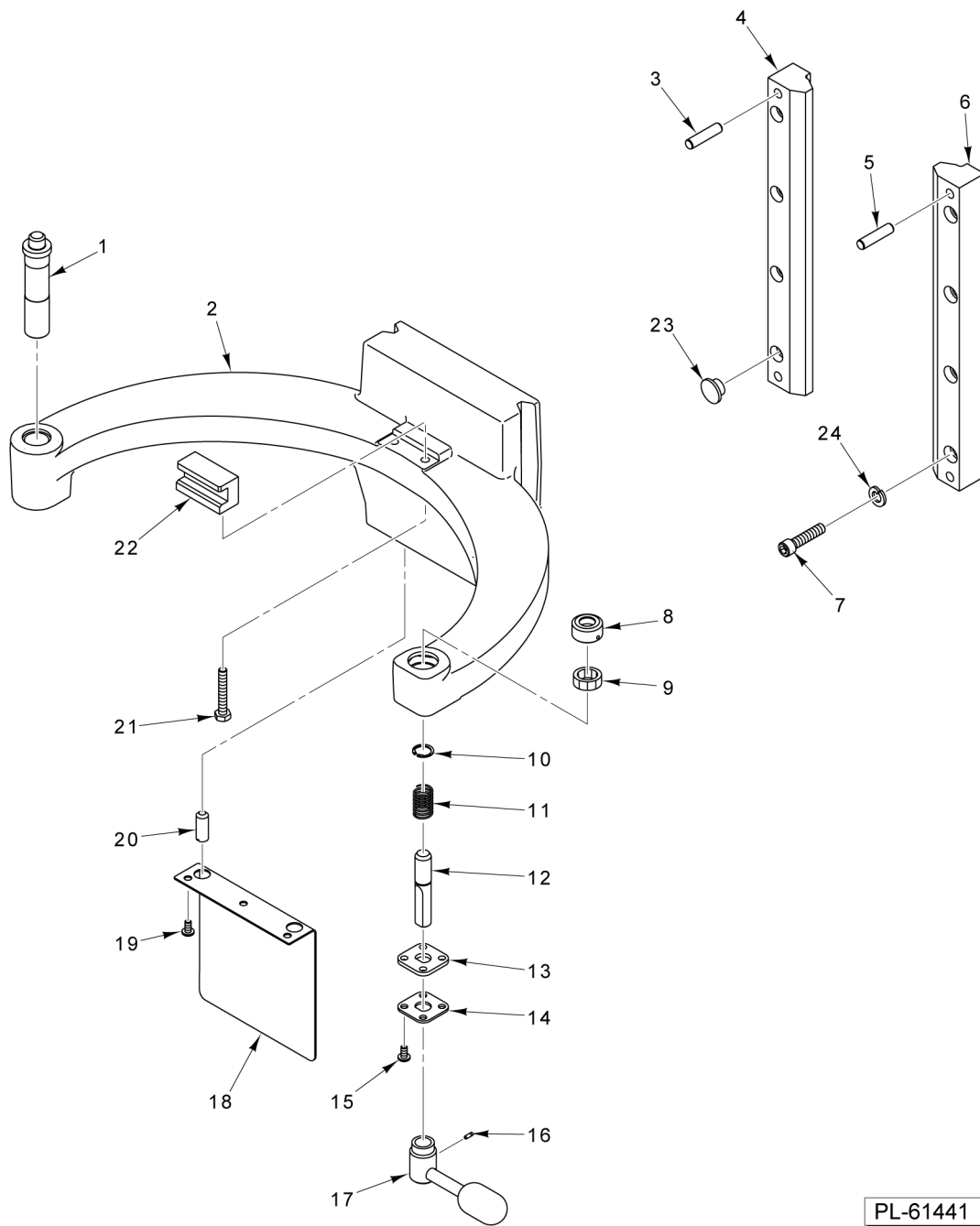


PL-61440

BOWL AND BOWL GUARD

BOWL AND BOWL GUARD

ILLUS.	PART NO.	NAME OF PART	AMT.
PL-61440			
1	00-937210-00001	Wire Cage Assy. (Incls. Items 9, 10, & 11).....	1
2	00-916610	Spacer - Splash Guard.....	4
3	00-916671	Rod - Splash Guard.....	4
4	WS-003-19	Washer.....	4
5	NS-013-02	Nut 1/4-20 Hex.....	4
6	SD-034-19	Self-Tapping Screw 10-16 x 3/8 Phil. Truss Hd., Type AB.....	1
7	00-087711-00352	Switch - Reed.....	1
8	00-917228	Guard - Splash Back.....	1
9	00-917357	Holder - Magnet (Upper).....	1
10	00-874875	Magnet - Disc.....	1
11	00-917358	Holder - Magnet (Lower).....	1
12	00-916617	Bowl Assy. (20 Qt.).....	1
13	00-916616	Bowl Assy. (30 Qt.).....	1
14	00-917358	Holder - Magnet (Lower).....	1
15	00-874875	Magnet - Disc.....	1
16	00-917357	Holder - Magnet (Upper).....	1

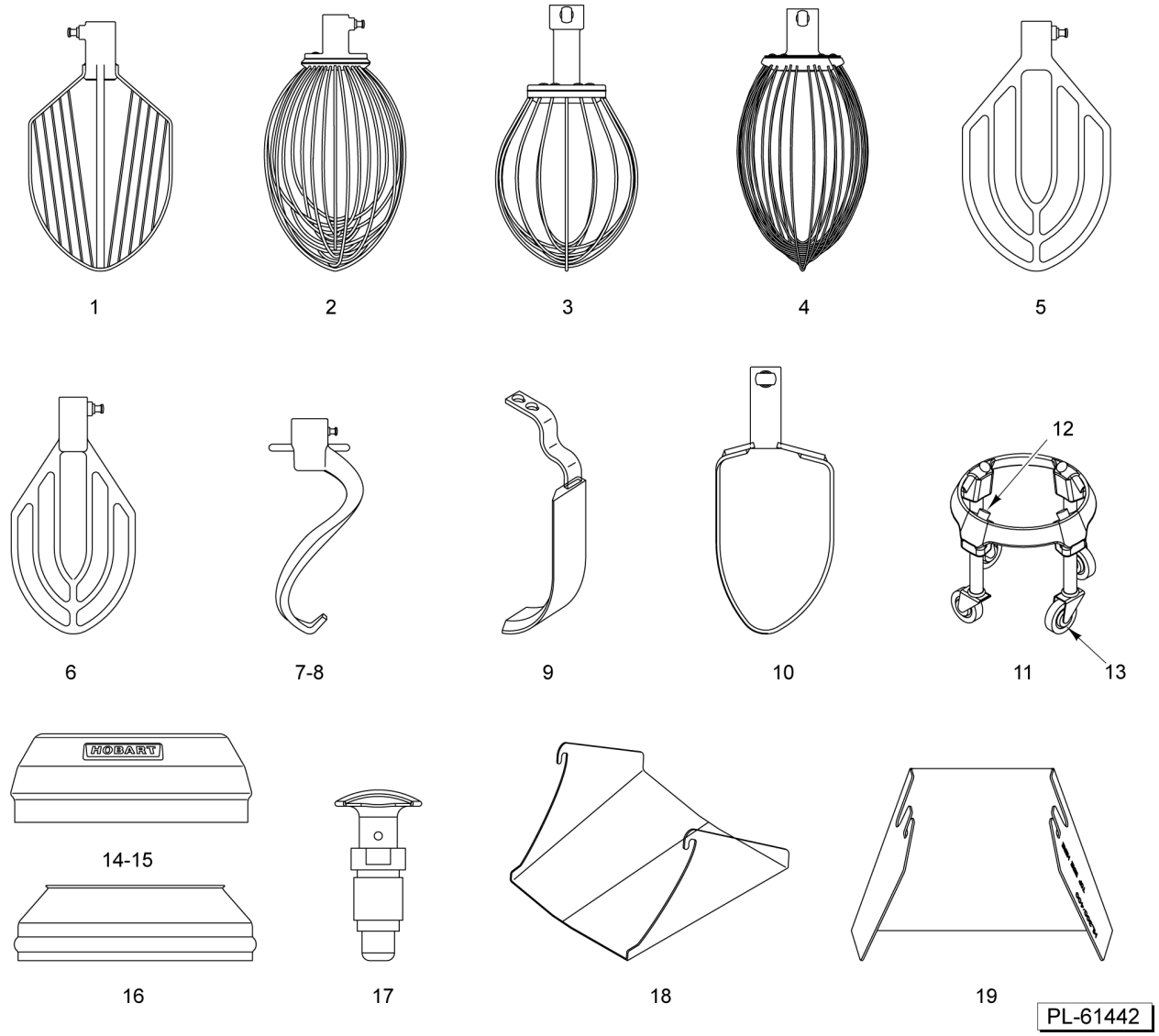


PL-61441

BOWL SUPPORT

BOWL SUPPORT

ILLUS. PL-61441	PART NO.	NAME OF PART	AMT.
1	00-916516	Pin - Bowl (LH).....	1
2	00-916497	Support - Bowl.....	1
3	00-011800-00141	Dowel 1/16 x 1-3/16.....	2
4	00-916365-00001	Slideway - Bowl Lift (LH).....	1
5	00-011800-00141	Dowel 1/16 x 1-3/16.....	2
6	00-916365-00002	Slideway - Bowl Lift (RH).....	1
7	SC-089-19	Cap Screw 5/16-18 x 1-3/8 Hex Socket Hd.....	8
8	00-916501	Ramp.....	1
9	00-916502	Bushing - Split.....	1
10	RR-012-47	Retaining Ring SST.....	1
11	00-916488	Spring - Compression.....	1
12	00-916505	Pin - Bowl (RH).....	1
13	00-916550	Glide - Bowl Release.....	1
14	00-916506	Plate - Bowl Release.....	1
15	SC-093-23	Mach. Screw 10-24 x 3/8 Phil. Pan Hd.....	4
16	SC-047-74	Set Screw 8-32 x 1/4 Hdls. Cup Pt.....	1
17	00-916504-00001	Handle - Bowl Release.....	1
18	00-916470	Apron - Lower.....	1
19	SC-093-23	Mach. Screw 10-24 x 3/8 Phil. Pan Hd.....	3
20	SC-129-59	Set Screw 3/8-16 x 1.....	2
21	SC-097-15	Cap Screw 1/4-20 x 1-5/8 Hex Hd.....	2
22	00-916515	Catch - Rear Bowl.....	1
23	PB-004-96	Cap.....	8
24	WL-003-48	Lockwasher 5/16 High Collar.....	8



AGITATORS AND ACCESSORIES

AGITATORS AND ACCESSORIES

ILLUS.	PART NO.	NAME OF PART	AMT.
PL-61442			
1	00-916573	"C" Wire Whip (30 & 40 Qt.) (Packaged).....	1
2	00-916598	"D" Wire Whip (20 Qt.) (Packaged).....	1
3	00-916520	"I" Wire Whip (30 & 40 Qt.) (Packaged).....	1
4	00-916421	"D" Wire Whip (30 & 40 Qt.) (Packaged).....	1
5	00-916372	"B" Beater (30 & 40 Qt.) (Packaged).....	1
6	00-916582	"B" Flat Beater (20 Qt.) (Packaged).....	1
7	00-916827	"ED" Dough Arm (20 Qt.) (Packaged).....	1
8	00-916618-00001	"ED" Hook (30 & 40 Qt.) (Packaged).....	1
9	00-916838	Bowl Scraper (30 Qt.) (Packaged).....	1
10	00-916481	"P" Pastry Knife (30 & 40 Qt.) (Packaged).....	1
11	00-916883	Bowl Truck Assy.....	1
12	00-018682-00001	Foot.....	4
13	00-087668-00002	Caster.....	4
14	00-438079	Splash Cover & Bowl Extension (20 Qt.) (Packaged) (Lexan).....	1
15	00-438080	Splash Cover Assy. - 30 Qt. (Packaged) (Lexan).....	1
16	00-875677	Splash Cover (20 Qt.) (Packaged) (SST).....	1
17	00-874753	Plunger Assy.....	1
18	00-916684	Ingredient Chute (20 Qt.) (Packaged).....	1
19	00-438607	Ingredient Chute (30 Qt.) (Packaged).....	1

