



CATALOG OF REPLACEMENT PARTS



HL400CE/AUS SERIES LEGACY MIXER

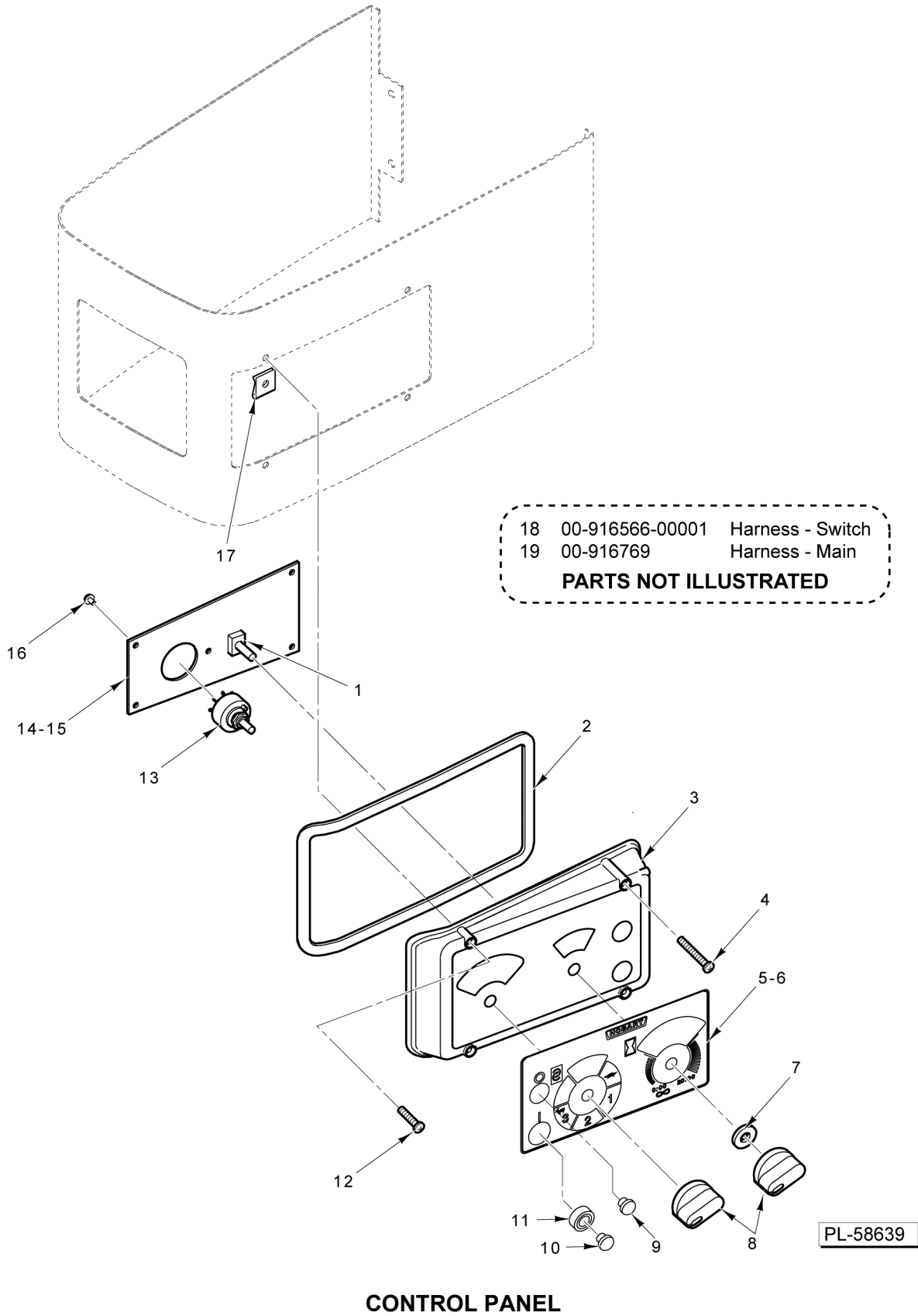
ML-134368	HL400AUS
ML-141039	HL400CE
ML-141091	HL400 (Brazil)

PRIOR MLS COVERED IN THIS
MANUAL

ML-134365	HL400CE
-----------	---------

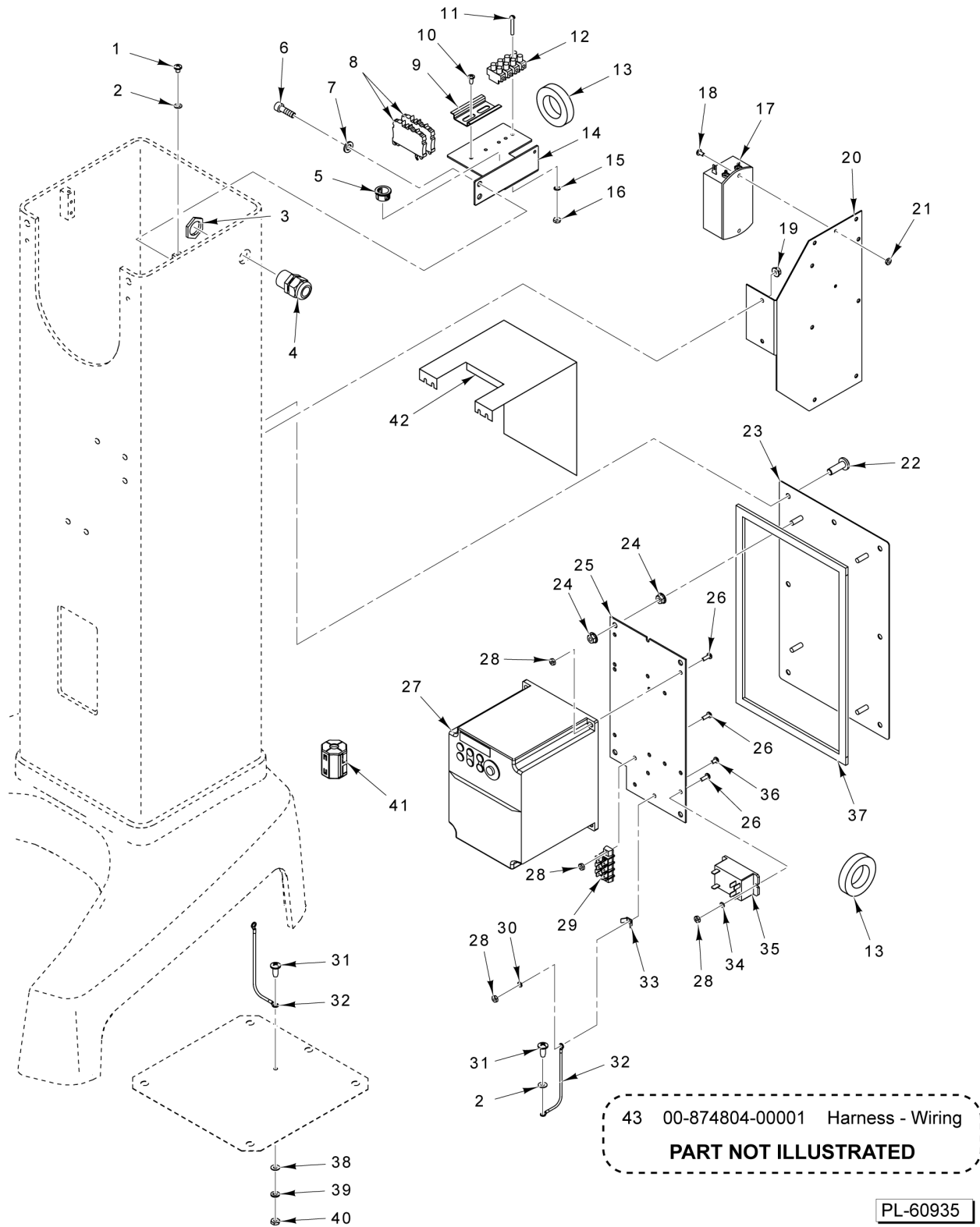
Table of Contents

5	CONTROL PANEL
7	ELECTRICAL COMPONENTS (LOW VOLTAGE) (ML-141039)
9	ELECTRICAL COMPONENTS (ML-134365, ML-134368, & ML-141039)
11	ELECTRICAL COMPONENTS (ML-141091)
13	BASE AND PEDESTAL
15	ATTACHMENT HUB
17	TRANSMISSION CASE AND MOTOR
19	TRANSMISSION
21	PLANETARY
23	BOWL SUPPORT
25	BOWL AND BOWL GUARD
27	AGITATORS AND ACCESSORIES
29	LABELS & NAMEPLATES



CONTROL PANEL

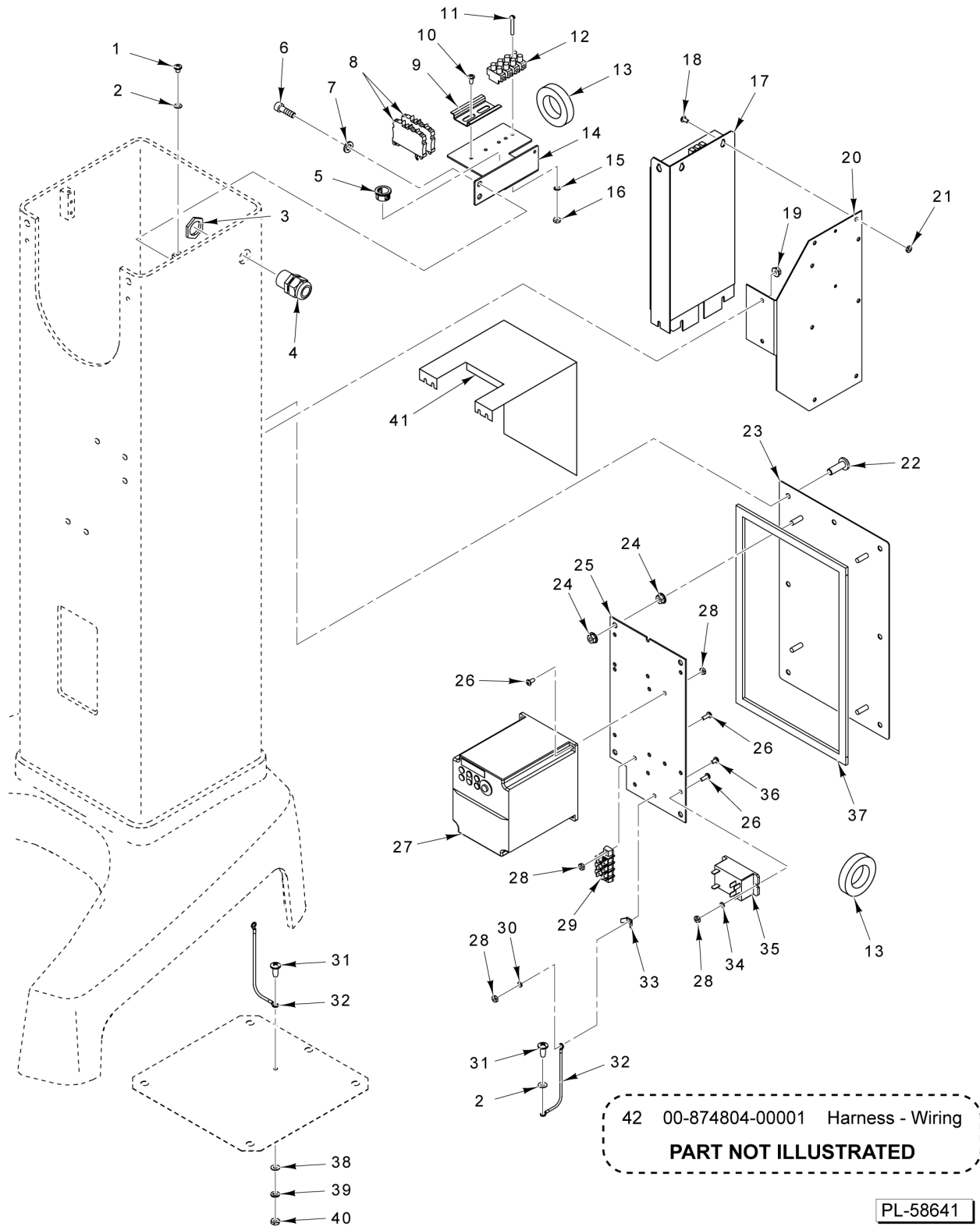
ILLUS.	PART NO.	NAME OF PART	AMT.
PL-58639			
1	00-916594	Potentiometer Assy.....	1
2	00-916613	Seal - Control Panel.....	1
3	00-917226	Panel - Control.....	1
4	SC-128-40	Mach. Screw 8-32 x 2-1/4 Phil. Oval Hd. (SST).....	2
5	00-917108	Overlay - Standard (ML-134365, ML-134368, & ML-141039).....	1
6	00-916575	Overlay - Standard (ML-141091).....	1
7	WS-031-55	Washer (Rubber).....	1
8	00-874809	Knob (Plastic).....	2
	00-938685	Knob (Metallic).....	2
9	00-916593	Switch - Sealed Dome (Start).....	1
10	00-916592	Switch - Sealed Dome (Stop).....	1
11	00-916958-00002	Guard - Switch.....	1
12	SC-128-39	Mach. Screw 8-32 x 1-1/2 Phil. Oval Hd. (SST).....	2
13	00-916923	Switch Assy. - Selector.....	1
14	00-916611	PCB Assy. (Standard).....	1
15	00-916491	PCB Assy. (Recipe Timer) (ML-134365).....	1
16	SD-039-23	Self-Tapping Screw 6-32 x 1/4 Hex Washer Hd., Type RL.....	5
17	00-874338	Fastener - Self-Retaining.....	4
18	00-916566-00001	Harness - Switch.....	1
19	00-916769	Harness - Main.....	1



**ELECTRICAL COMPONENTS
 (LOW VOLTAGE) (ML-141039)**

**ELECTRICAL COMPONENTS
(LOW VOLTAGE) (ML-141039)**

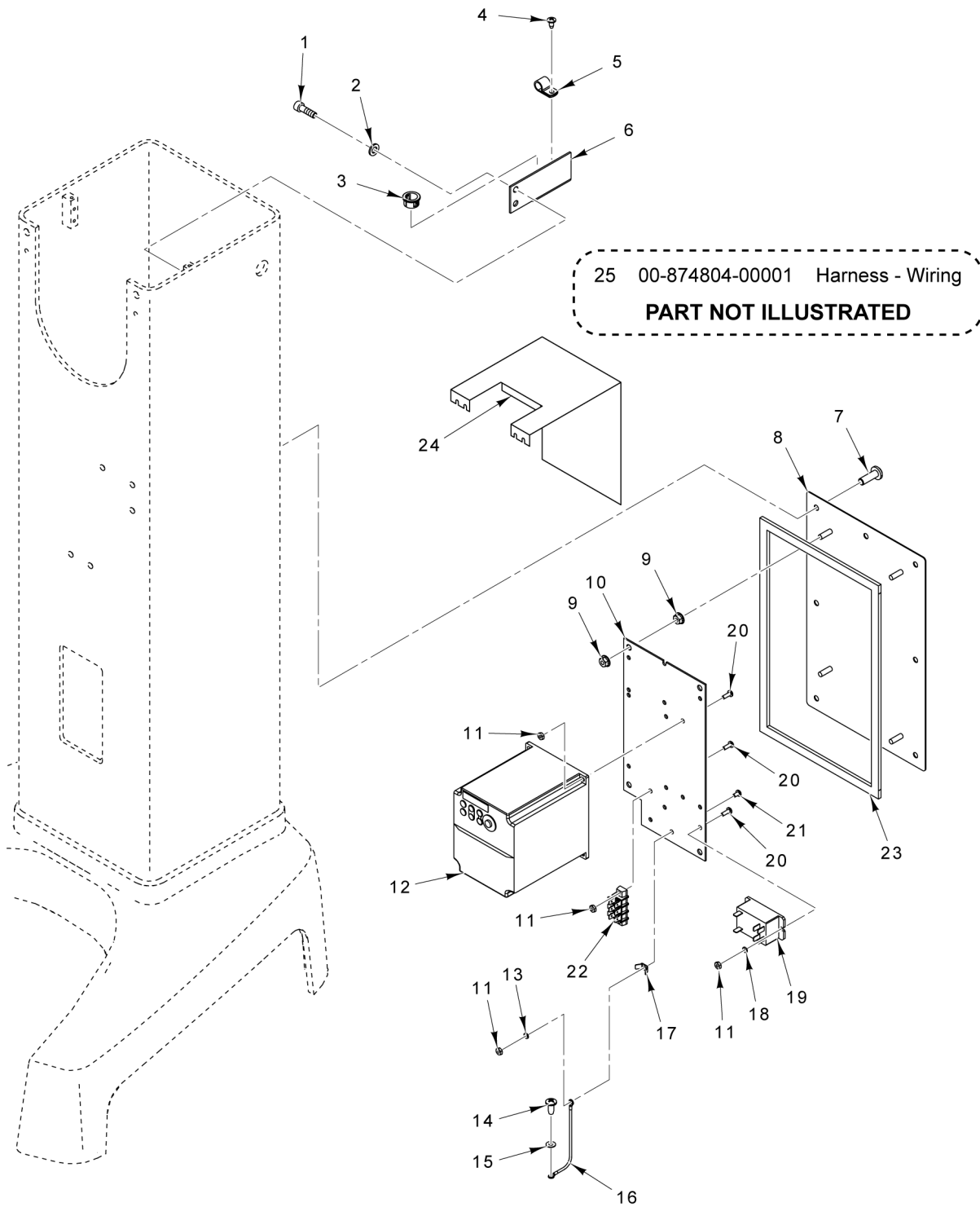
ILLUS.	PART NO.	NAME OF PART	AMT.
PL-60935			
1	SC-128-12	Mach. Screw 10-24 x 1/4 Phil. Pan Hd. (SST).....	1
2	WL-008-13	Lockwasher #10 Internal Shakeproof.....	2
3	FE-006-07	Lock Nut 1/2 (Cnd.).....	1
4	FE-022-84	Connector - Strain Relief.....	1
5	FE-021-13	Bushing (Nylon) 1/2 I.D.....	1
6	SC-129-49	Mach. Screw 1/4-20 x 1/2 Hex Washer Hd. (SST).....	2
7	WS-003-19	Washer.....	2
8	00-916906-00002	Block - Terminal.....	2
9		Rail - Din.....	1
10	SD-015-39	Self-Tapping Screw 8-32 x 1/4 Phil. Pan Hd., Type TT.....	2
11	SC-009-64	Mach. Screw 6-32 x 1 Slotted Rd. Hd.....	2
12	00-477562-00002	Block - Terminal.....	1
13	00-916185-00001	Ferrite.....	2
14	00-937130	Bracket - Terminal Block.....	1
15	WL-014-03	Lockwasher #6 External (SST).....	2
16	NS-009-07	Nut 6-32 Hex.....	2
17	00-917615	Filter - Power Line.....	1
18	SC-018-62	Mach. Screw 10-24 x 3/8 Phil. Pan Hd.....	4
19	NS-038-04	Lock Nut 1/4-20.....	2
20		Bracket - Filter.....	1
21	NS-038-13	Lock Nut 10-24 Hex.....	4
22	SC-053-46	Mach. Screw 1/4-20 x 3/4 Slotted Truss Hd. (SST).....	7
23	00-916772-00002	Cover - Back & Studs (200/230 V. & 380/480 V., 3 Ph.).....	1
24	NS-038-04	Lock Nut 1/4-20.....	4
25		Plate - Controller Mounting.....	1
26	SC-018-34	Mach. Screw 8-32 x 1/2 Phil. Pan Hd.....	8
27	00-916526-00001	Controller (200/230 V., 50/60 Hz., 1 Ph.).....	1
28	NS-009-12	Nut 8-32 Hex.....	9
29	00-916269	Block - Terminal.....	1
30	WL-003-12	Lockwasher #8 Helical.....	1
31	SC-128-15	Mach. Screw M5 x 0.8 x 12mm Phil. Pan Hd.....	2
32	00-087532-00088	Lead Wire Assy.....	2
33	00-065890-00090	Terminal (2-Tab).....	1
34	WS-023-48	Washer.....	2
35	00-087714-042-5	Relay (2-Pole, 30 Amp.).....	1
36	SC-018-33	Mach. Screw 8-32 x 5/16 Phil. Pan Hd.....	1
37		Foam - Tape (0.187 Thk. x 0.500 Wide).....	AR
38	WS-002-51	Washer.....	1
39	WL-003-38	Lockwasher 1/4 Helical.....	1
40	NS-047-49	Nut M5 Hex.....	1
41	00-917392-00006	Ferrite.....	1
42	00-938271	Shield - Mylar.....	1
43	00-874804-00001	Harness - Power.....	1



**ELECTRICAL COMPONENTS
 (ML-134365, ML-134368, & ML-141039)**

ELECTRICAL COMPONENTS
(ML-134365, ML-134368, & ML-141039)

ILLUS. PL-58641	PART NO.	NAME OF PART	AMT.
1	SC-128-12	Mach. Screw 10-24 x 1/4 Phil. Pan Hd. (SST).....	1
2	WL-008-13	Lockwasher #10 Internal Shakeproof.....	2
3	FE-006-07	Lock Nut 1/2 (Cnd.).....	1
4	FE-022-84	Connector - Strain Relief.....	1
5	FE-021-13	Bushing (Nylon) 1/2 I.D.....	1
6	SC-129-49	Mach. Screw 1/4-20 x 1/2 Hex Washer Hd. (SST).....	2
7	WS-003-19	Washer.....	2
8	00-916906-00002	Block - Terminal.....	2
9		Rail - Din.....	1
10	SD-015-39	Self-Tapping Screw 8-32 x 1/4 Phil. Pan Hd., Type TT.....	2
11	SC-009-64	Mach. Screw 6-32 x 1 Slotted Rd. Hd.....	2
12	00-477562-00002	Block - Terminal.....	1
13	00-916185-00001	Ferrite.....	2
14	00-937130	Bracket - Terminal Block.....	1
15	WL-014-03	Lockwasher #6 External (SST).....	2
16	NS-009-07	Nut 6-32 Hex.....	2
17	00-916327-00003	Filter - Power Line.....	1
18	SC-018-62	Mach. Screw 10-24 x 3/8 Phil. Pan Hd.....	4
19	NS-038-04	Lock Nut 1/4-20.....	2
20		Bracket - Filter.....	1
21	NS-038-13	Lock Nut 10-24 Hex.....	4
22	SC-053-46	Mach. Screw 1/4-20 x 3/4 Slotted Truss Hd. (SST).....	7
23	00-916772-00002	Cover - Back & Studs (200/230 V. & 380/480 V., 3 Ph.).....	1
24	NS-038-04	Lock Nut 1/4-20.....	4
25		Plate - Controller Mounting.....	1
26	SC-018-34	Mach. Screw 8-32 x 1/2 Phil. Pan Hd.....	8
27	00-916527-00002	Controller (380/480 V., 50/60 Hz., 3 Ph.).....	1
28	NS-009-12	Nut 8-32 Hex.....	9
29	00-916269	Block - Terminal.....	1
30	WL-003-12	Lockwasher #8 Helical.....	1
31	SC-128-15	Mach. Screw M5 x 0.8 x 12mm Phil. Pan Hd.....	2
32	00-087532-00088	Lead Wire Assy.....	2
33	00-065890-00090	Terminal (2-Tab).....	1
34	WS-023-48	Washer.....	2
35	00-087714-042-5	Relay (2-Pole, 30 Amp.).....	1
36	SC-018-33	Mach. Screw 8-32 x 5/16 Phil. Pan Hd.....	1
37		Foam - Tape (0.187 Thk. x 0.500 Wide).....	AR
38	WS-002-51	Washer.....	1
39	WL-003-38	Lockwasher 1/4 Helical.....	1
40	NS-047-49	Nut M5 Hex.....	1
41	00-938271	Shield - Mylar.....	AR
42	00-874804-00001	Harness - Power.....	1

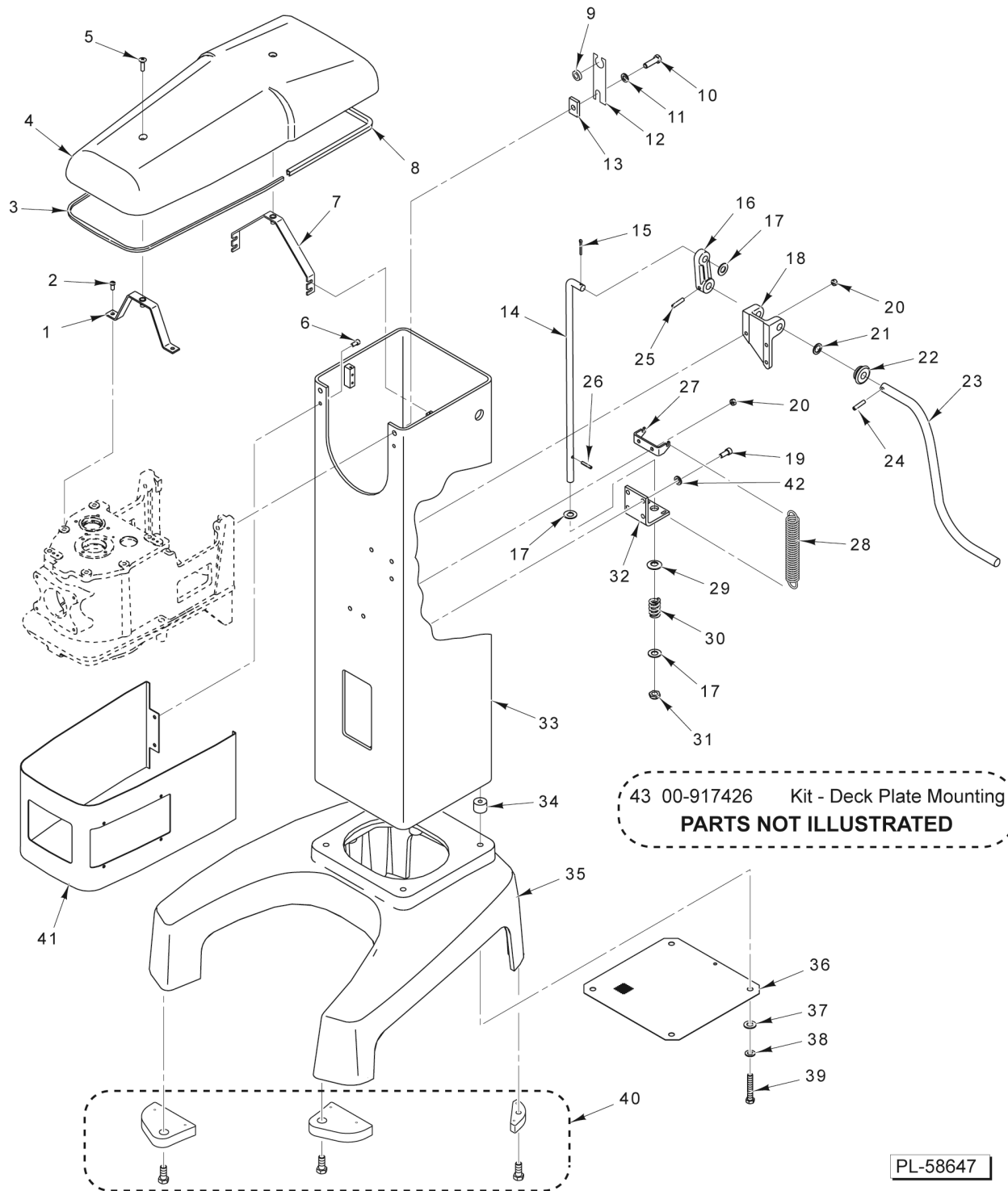


PL-60934

ELECTRICAL COMPONENTS (ML-141091)

ELECTRICAL COMPONENTS (ML-141091)

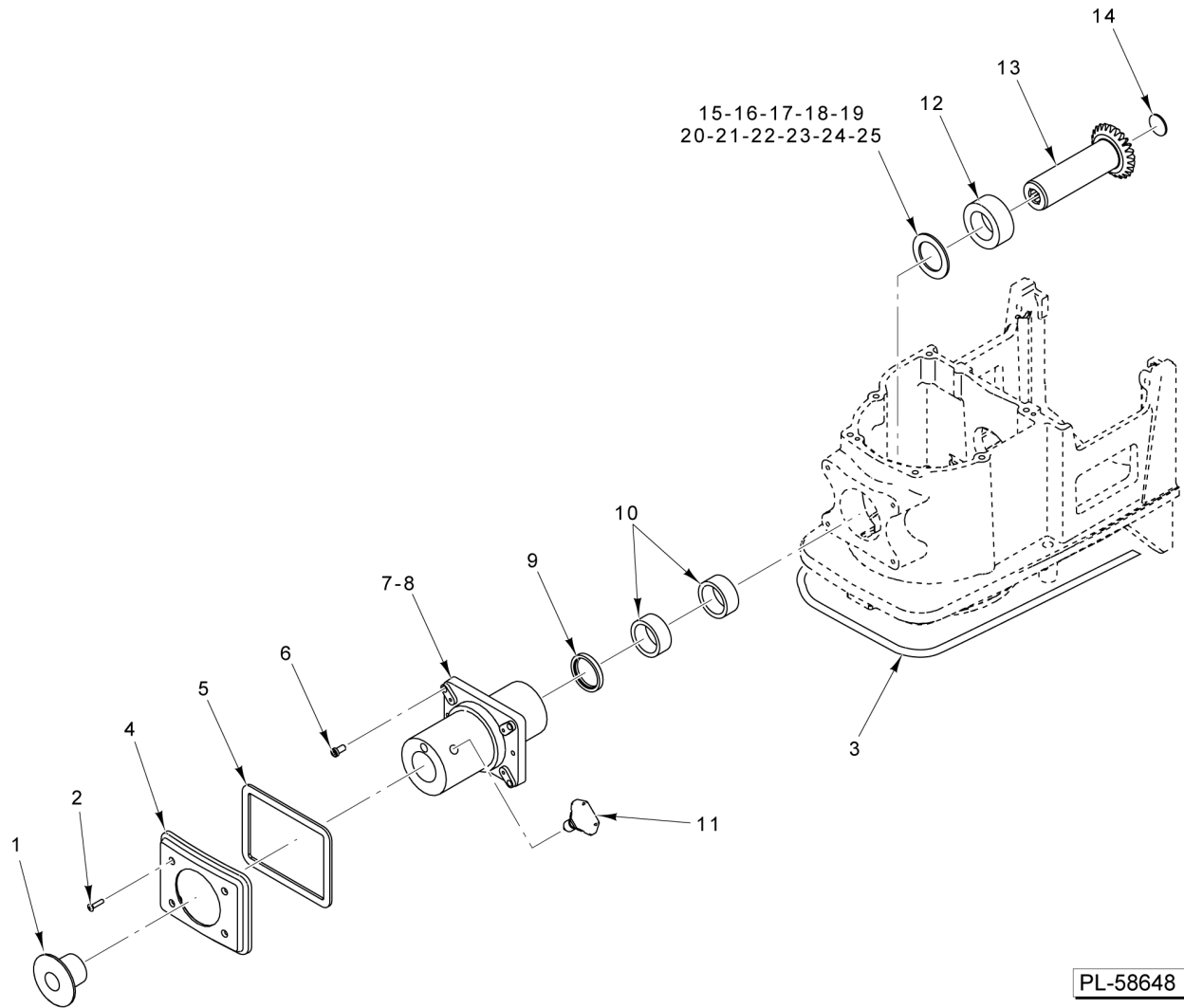
ILLUS.	PART NO.	NAME OF PART	AMT.
PL-60934			
1	SC-129-49	Mach. Screw 1/4-20 x 1/2 Hex Washer Hd. (SST).....	2
2	WS-003-19	Washer.....	2
3	FE-021-13	Bushing (Nylon) 1/2 I.D.....	1
4	SD-019-23	Self-Tapping Screw 10-16 x 3/8 Phil. Pan Hd., Type B.....	1
5	00-078752-00009	Clamp - Cable.....	1
6	00-937123	Bracket.....	1
7	SC-053-46	Mach. Screw 1/4-20 x 3/4 Slotted Truss Hd. (SST).....	7
8	00-916772-00002	Cover - Back & Studs (200/230 V. & 380/480 V., 3 Ph.).....	1
9	NS-038-04	Lock Nut 1/4-20.....	8
10		Plate - Controller Mounting.....	1
11	NS-009-12	Nut 8-32 Hex.....	8
12	00-916527-00002	Controller (380/480 V., 50/60 Hz., 3 Ph.).....	1
13	WL-003-12	Lockwasher #8 Helical.....	1
14	SC-128-15	Mach. Screw M5 x 0.8 x 12mm Phil. Pan Hd.....	1
15	WL-008-13	Lockwasher #10 Internal Shakeproof.....	1
16	00-087532-00088	Lead Wire Assy.....	1
17	00-065890-00090	Terminal (2-Tab).....	1
18	WS-023-48	Washer.....	2
19	00-087714-042-5	Relay (2-Pole, 30 Amp.).....	1
20	SC-018-34	Mach. Screw 8-32 x 1/2 Phil. Pan Hd.....	4
21	SC-018-33	Mach. Screw 8-32 x 5/16 Phil. Pan Hd.....	1
22	00-916269	Block - Terminal.....	1
23		Foam - Tape (0.187 Thk. x 0.500 Wide).....	AR
24	00-938271	Shield - Mylar.....	AR
25	00-874804-00001	Harness - Power.....	1



BASE AND PEDESTAL

BASE AND PEDESTAL

ILLUS. PL-58647	PART NO.	NAME OF PART	AMT.
1	00-916452	Strap - Front Cover Mounting.....	1
2	SC-089-19	Cap Screw 5/16-18 x 1-3/8 Hex Socket Hd.....	2
3	00-874512-00003	Seal - Top Cover.....	1
4	00-937186	Cover -Top (Incls. Item 5).....	1
5	SC-024-03	Mach. Screw 1/4-20 x 7/8 Slotted Fil. Hd. (SST).....	2
6	SC-089-01	Cap Screw 1/4-20 x 1/2 Hex Socket Hd.....	4
7	00-916454	Strap - Rear Cover Mounting.....	1
8	00-916535-00001	Seal - Top Cover.....	1
9	FE-021-13	Bushing (Nylon) 1/2 I.D.....	1
10	SC-118-09	Cap Screw 3/8-16 x 1-1/4 Hex Hd.....	1
11	WL-004-06	Lockwasher 3/8 Helical.....	1
12	00-916815	Plate - Wire Routing.....	1
13	00-271340	Bar - Reinforcing.....	1
14	00-916468	Rod - Bowl Lift.....	1
15	PC-006-13	Cotter Pin.....	1
16	00-916467	Arm - Bowl Lift.....	1
17	WS-008-47	Washer.....	3
18	00-916442	Block - Bowl Lift Bearing.....	5
19	SC-040-14	Cap Screw 5/16-18 x 3/4 Hex Socket Hd.....	4
20	NS-013-02	Nut 1/4-20 Hex.....	5
21	WS-020-01	Washer (SST).....	1
22	00-271343	Grommet - Handle.....	1
23	00-916482	Handle - Bowl Lift.....	1
24	RP-002-25	Roll Pin 1/8 Dia. x 7/8 Lg.....	1
25	PS-004-15	Spiral Pin 1/4 Dia. x 1-1/8 Lg.....	1
26	RP-002-10	Roll Pin 3/16 Dia. x 1 Lg.....	1
27	00-916449	Hook - Bowl Lift Spring.....	1
28	00-916463	Spring - Bowl Lift.....	2
29	00-070131	Washer - Cup Bowl Lift.....	1
30	00-070104	Spring - Bowl Lift.....	1
31	NS-031-39	Stop Nut 1/2-20 "Elastic".....	1
32	00-916469	Bracket - Bowl Lift Support.....	1
33	00-916364-00004	Column.....	1
34	00-916508	Lug - Threaded Column.....	4
35	00-916213-00004	Base.....	1
36	00-916549	Screen - Air Floor.....	1
37	WS-018-19	Washer.....	4
38	WL-004-04	Lockwasher 3/8 Helical.....	4
39	SC-118-05	Cap Screw 3/8-16 x 2-3/4 Hex Hd.....	40
40	00-916353	Kit - Foot Pad.....	1
41	00-916387	Wrapper - Transmission.....	1
42	00-916957-00064	Label - Warning, Moving Parts (Trilingual).....	1
43	WL-006-22	Lockwasher 5/16 Light.....	1
44	00-917426	Kit - Deck Plate Mounting.....	1

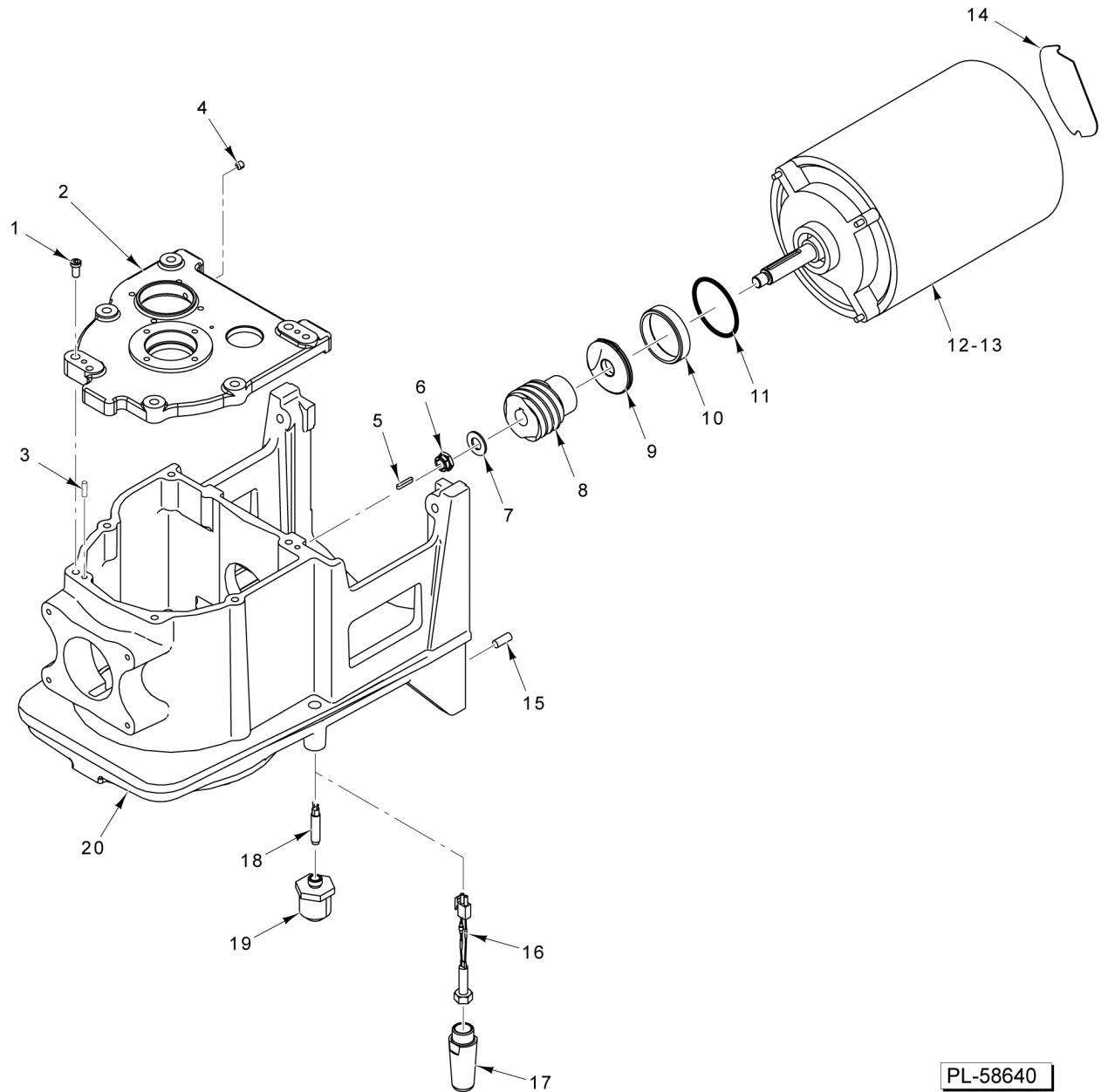


PL-58648

ATTACHMENT HUB

ATTACHMENT HUB

ILLUS.	PART NO.	NAME OF PART	AMT.
PL-58648	1	00-917221 Plug - Attachment (Plastic).....	1
		00-938670 Plug - Attachment (Metallic).....	1
	2	SC-079-04 Mach. Screw 8-32 x 3/4 Phil. Oval Hd. (SST).....	4
	3	00-913102-00105 Kit - Seal.....	1
	4	00-917222 Panel - Front.....	1
	5	00-875813 Seal - Front Cover.....	1
	6	SC-040-09 Cap Screw 1/4-20 x 1-1/4 Hex Socket Hd.....	4
	7	00-916384-00002 Hub - Attachment.....	1
	8	OR-001-09 O-Ring.....	1
	9	00-916733 Seal - Attachment Hub.....	1
	10	BN-005-12 Bearing - Needle (Pre-Greased).....	AR
	11	00-108197-00001 Thumb Screw 1-1/4.....	1
	12	BB-013-03 Ball Bearing - Nice #618.....	1
	13	00-916601 Gear - Drive Attachment (Incls. Item 14).....	1
	14	PL-003-17 Plug - Expansion.....	1
	15	00-061920-00001 Washer - Thrust (0.076 Thk.).....	AR
	16	00-061920-00002 Washer - Thrust (0.079 Thk.).....	AR
	17	00-061920-00003 Washer - Thrust (0.082 Thk.).....	AR
	18	00-061920-00004 Washer - Thrust (0.085 Thk.).....	AR
	19	00-061920-00005 Washer - Thrust (0.088 Thk.).....	AR
	20	00-061920-00006 Washer - Thrust (0.091 Thk.).....	AR
	21	00-061920-00007 Washer - Thrust (0.094 Thk.).....	AR
	22	00-061920-00008 Washer - Thrust (0.097 Thk.).....	AR
	23	00-061920-00009 Washer - Thrust (0.100 Thk.).....	AR
	24	00-061920-00010 Washer - Thrust (0.103 Thk.).....	AR
	25	00-061920-00011 Washer - Thrust (0.106 Thk.).....	AR

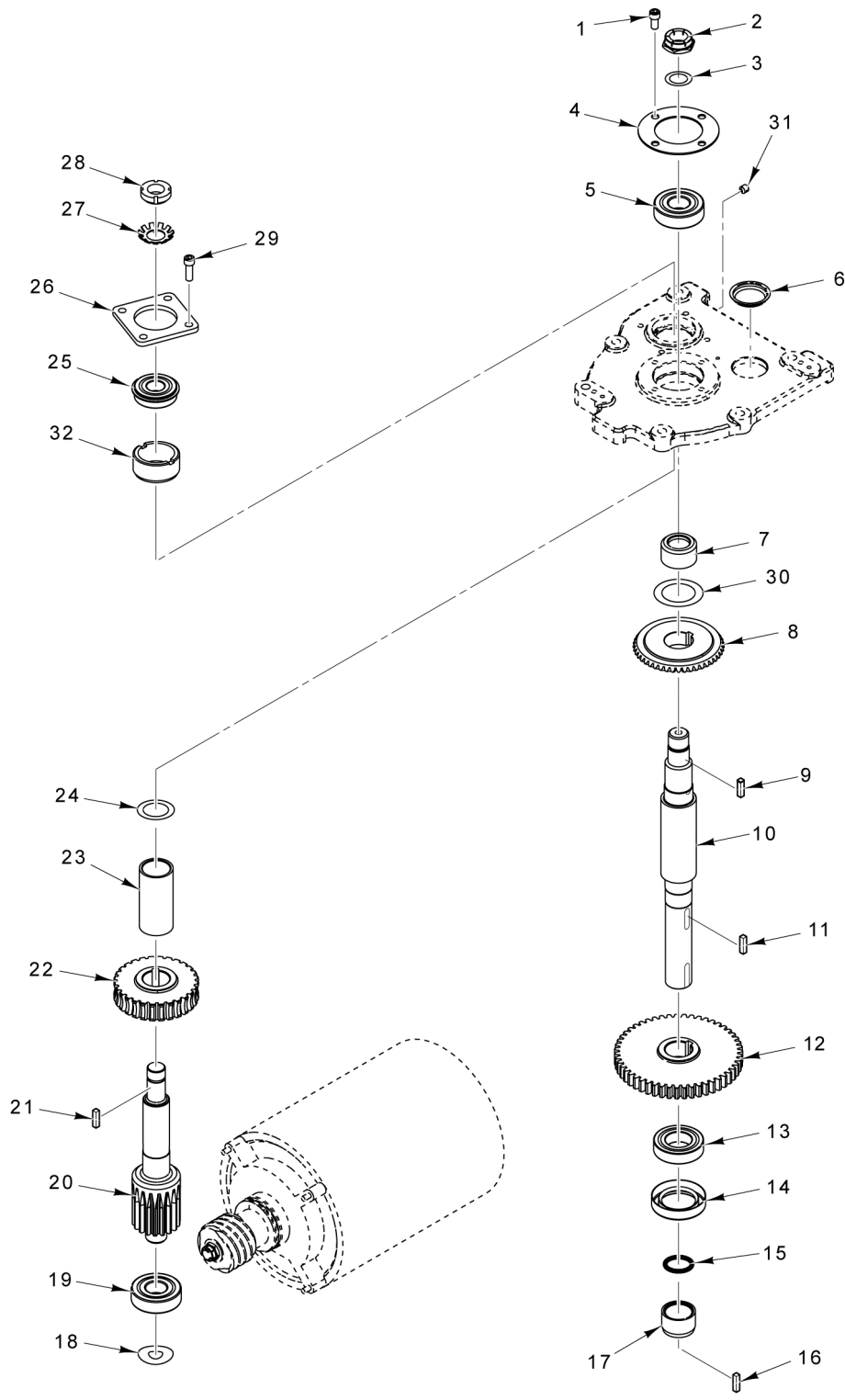


PL-58640

TRANSMISSION CASE AND MOTOR

TRANSMISSION CASE AND MOTOR

ILLUS.	PART NO.	NAME OF PART	AMT.
PL-58640			
1	SC-040-15	Cap Screw 5/16-18 x 1-1/4 Hex Socket Hd.....	6
2	00-913102-00107	Cover - Top (Incls. Item 4 & Sleeve).....	1
3	00-011800-00187	Dowel.....	2
4	SC-047-09	Set Screw 1/4-20 x 1/4 Hex Hdls., Cup Pt.....	2
5	00-012430-00147	Key.....	1
6	NS-046-29	Lock Nut 3/4-16 Flexlox.....	1
7	WS-012-41	Washer (0.797 x 1.125 x 0.062).....	1
8	00-937119	Worm - Motor.....	1
9	00-937535-00002	Deflector - Grease.....	1
10	00-916445	Bushing - Motor.....	1
11	00-067500-00057	O-Ring.....	1
12	00-937122	Motor & Worm.....	1
13	00-558077	Cable - Shielded (Use with Item 12 for ML-134365, ML-134368, & ML-141039).....	1
14	00-916220	Plate - Motor Access (ML-134365, ML-134368, & ML-141039).....	1
15	00-011800-00141	Dowel 1/16 x 1-3/16.....	2
16	00-087711-00352	Switch - Reed (ML-141091).....	1
17	00-917596	Holder - Reed Switch (ML-141091).....	1
18	00-874929	Switch - Reed (Fused) (ML-134365, ML-134368, & ML-141039).....	1
19	00-917600	Holder - Reed Switch (ML-134365, ML-134368, & ML-141039).....	1
20	00-916326-00004	Transmission.....	1

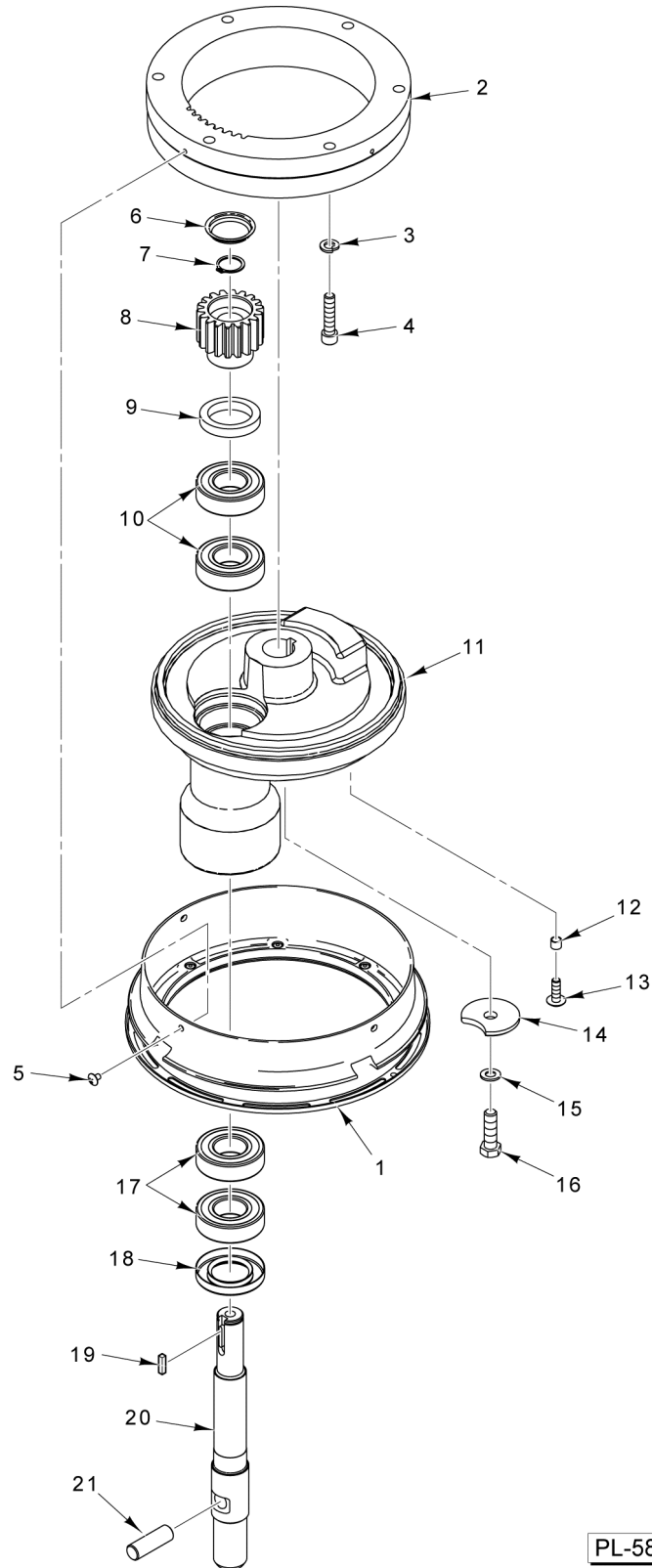


PL-58642

TRANSMISSION

TRANSMISSION

ILLUS. PL-58642	PART NO.	NAME OF PART	AMT.
1	SC-089-01	Cap Screw 1/4-20 x 1/2 Hex Socket Hd.....	4
2	NS-034-06	Lock Nut Brg N.D. N-05.....	1
3	WL-012-06	Lockwasher N.D. #W-05.....	1
4	00-916439	Retainer - Planetary.....	1
5	BB-017-39	Ball Bearing - MRC 205 SZZ-01-ST-A-92-C.....	1
6	00-064871	Plug - Friction.....	1
7	00-916356	Spacer - Upper Planetary.....	1
8	00-271234-00002	Gear - Planetary Shaft Bevel.....	1
9	00-012430-00138	Key 1/4 Sq. x 3/4 Lg.....	1
10	00-916342	Shaft - Planetary.....	1
11	00-012430-00143	Key.....	1
12	00-916341	Gear - Helical (51T).....	1
13	BB-015-36	Ball Bearing - Hoover - NSK 6007 DDUCE1SRIS.....	1
14	00-271341	Seal - Planetary Shaft.....	1
15	00-067500-00070	O-Ring.....	1
16	00-937370-00040	Key.....	1
17	00-437599	Seal - Hub.....	1
18	SL-005-04	Spring - Loading.....	1
19	BB-005-34	Ball Bearing.....	1
20	00-916340	Shaft - Worm Gear.....	1
21	00-012430-00138	Key 1/4 Sq. x 3/4 Lg.....	1
22	00-916339	Gear - Worm.....	1
23	00-916357	Spacer - Input Shaft.....	1
24	00-916358	Spacer - Upper Input Shaft.....	1
25	BB-021-21	Bearing - Ball.....	1
26	00-916438	Retainer - Wormwheel.....	1
27	WL-012-04	Lockwasher N.D. #W-03.....	1
28	NS-034-04	Lock Nut N.D. #N-03.....	1
29	SC-089-02	Cap Screw 1/4-20 x 3/4 Hex Socket Hd.....	4
30	00-060768	Shim - Internal Pinion.....	AR
31	SC-047-09	Set Screw 1/4-20 x 1/4 Hex Hdls., Cup Pt.....	2
32	00-271301-00002	Sleeve - Worm Gear Adjustment.....	1

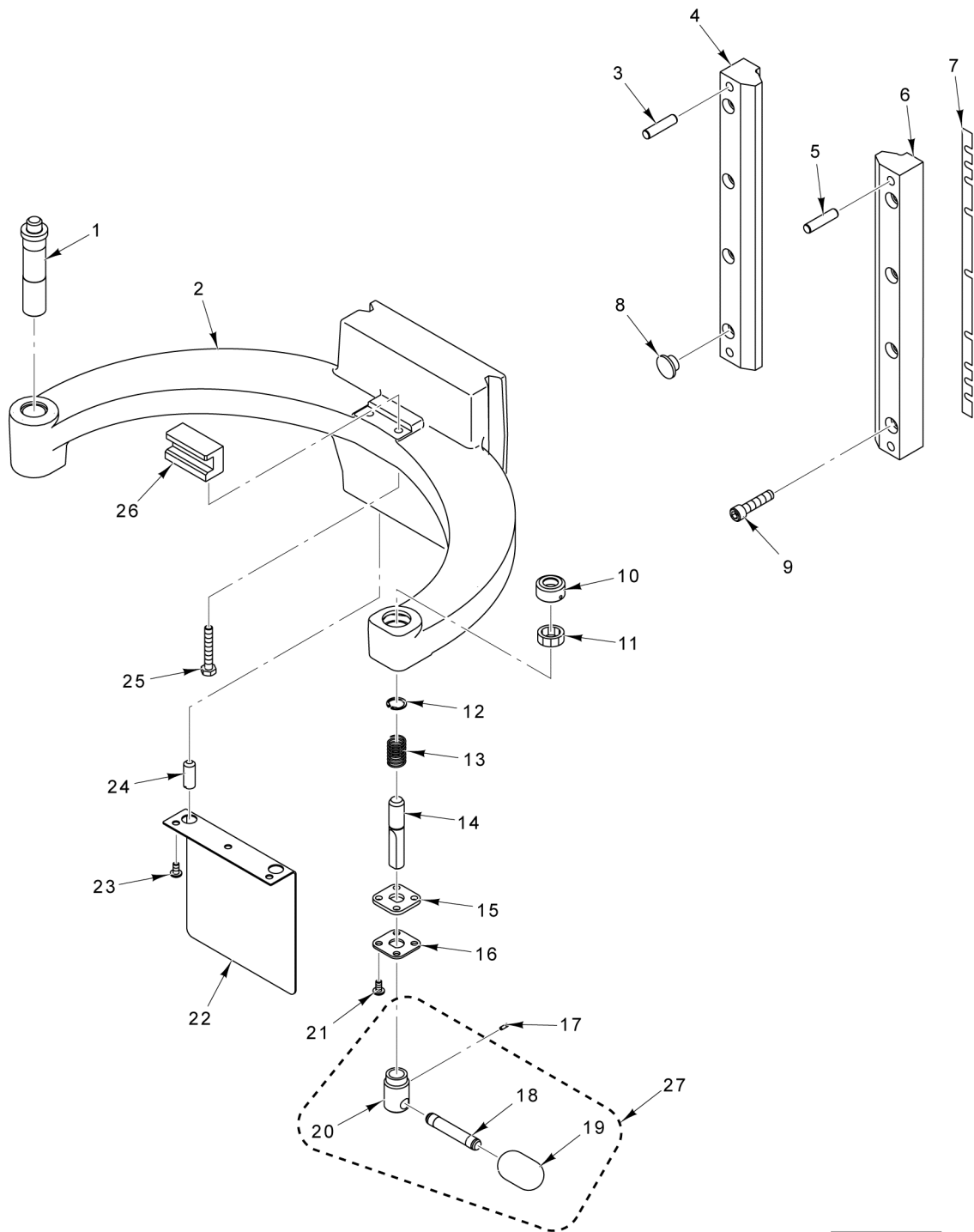


PL-58646

PLANETARY

PLANETARY

ILLUS.	PART NO.	NAME OF PART	AMT.
PL-58646			
1	00-917253	Drip Cup - Flange.....	1
2	00-916416-00001	Gear - Internal.....	1
3	WL-003-48	Lockwasher 5/16 High Collar.....	6
4	SC-089-19	Cap Screw 5/16-18 x 1-3/8 Hex Socket Hd.....	6
5	SC-066-13	Mach. Screw 8-32 x 1/4 Phil. Truss Hd. (SST).....	3
6	00-064871	Plug - Friction.....	1
7	RR-012-26	Retaining Ring.....	1
8	00-916444	Pinion - Planetary.....	1
9	00-916455	Seal - Planetary Upper.....	1
10	BB-017-39	Ball Bearing - MRC 205 SZZ-01-ST-A-92-C.....	2
11	00-916436	Planetary.....	1
12	00-874770	Spacer - Bowl Scraper.....	2
13	SC-053-46	Mach. Screw 1/4-20 x 3/4 Slotted Truss Hd. (SST).....	2
14	00-070047-00001	Washer - Planetary.....	1
15	WL-006-28	Lockwasher 3/8 Helical.....	1
16	SC-062-58	Cap Screw 3/8-24 x 1-1/4 Hex Hd.....	1
17	BB-017-26	Ball Bearing - NSK #6206.....	2
18	00-439286	Seal - Agitator Shaft.....	1
19	00-012430-00149	Key.....	1
20	00-916458	Shaft - Agitator.....	1
21	00-070019	Pin - Agitator.....	1

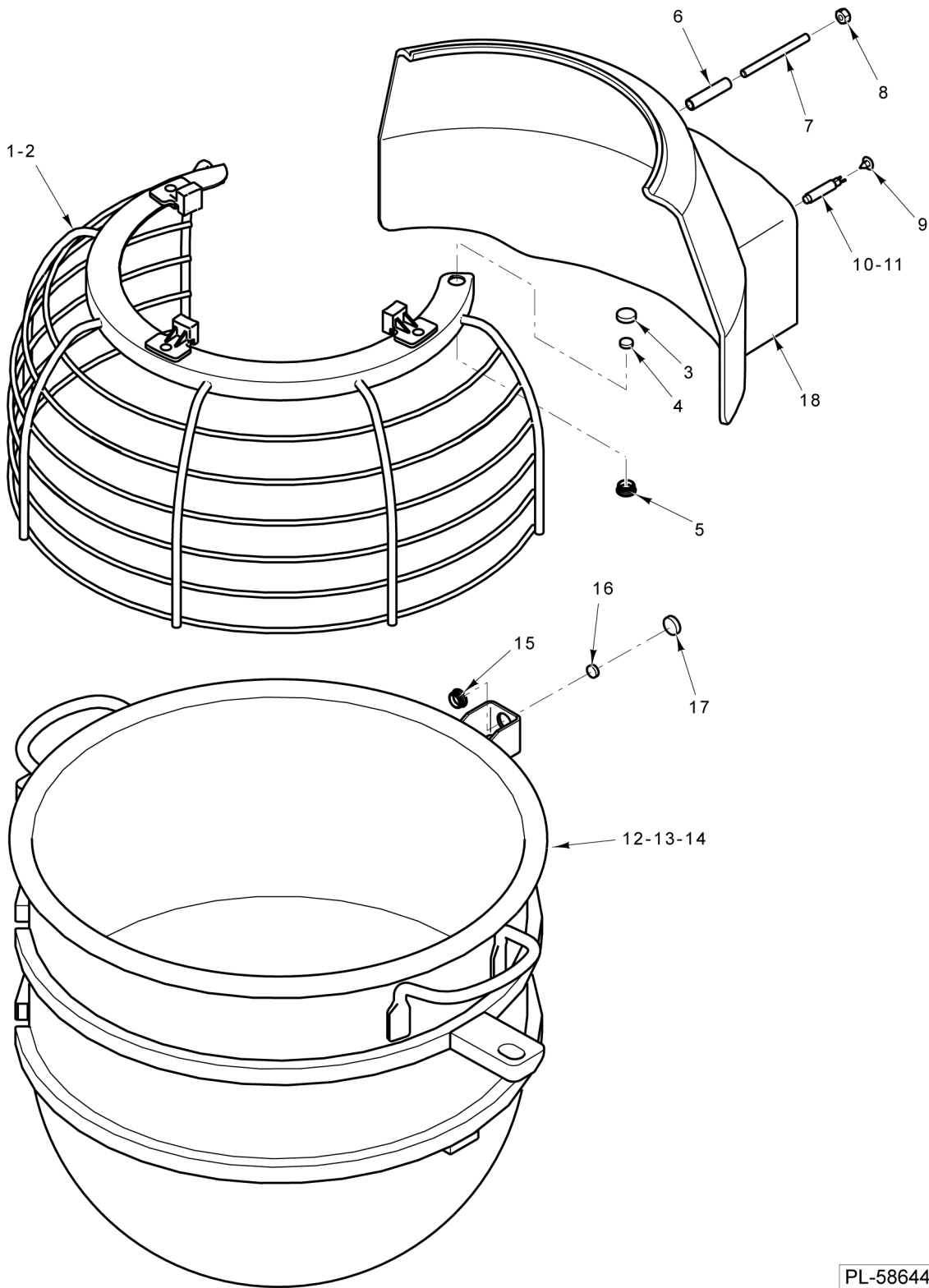


PL-58645

BOWL SUPPORT

BOWL SUPPORT

ILLUS.	PART NO.	NAME OF PART	AMT.
PL-58645			
1	00-916516	Pin - Bowl (LH).....	1
2	00-916497	Support - Bowl.....	1
3	00-968081-00001	Dowel.....	2
4	00-916365-00001	Slideway - Bowl Lift (LH).....	1
5	00-968081-00001	Dowel.....	2
6	00-916365-00002	Slideway - Bowl Lift (RH).....	1
7	00-435264-00003	Shim - Gib (0.010 Thk.).....	AR
8	PB-004-96	Cap.....	8
9	SC-089-19	Cap Screw 5/16-18 x 1-3/8 Hex Socket Hd.....	8
10	00-916501	Ramp.....	1
11	00-916502	Bushing - Split.....	1
12	RR-012-47	Retaining Ring SST.....	1
13	00-916488	Spring - Compression.....	1
14	00-916505	Pin - Bowl (RH).....	1
15	00-916550	Glide - Bowl Release.....	1
16	00-916506	Plate - Bowl Release.....	1
17	SC-047-74	Set Screw 8-32 x 1/4 Hdls. Cup Pt.....	1
18	00-916552	Shaft - Bowl Pin Handle.....	1
19	00-875356	Handle - Lift Lever (Microban).....	1
20	00-916503	Block - Bowl Handle.....	1
21	SC-093-23	Mach. Screw 10-24 x 3/8 Phil. Pan Hd.....	4
22	00-916470	Apron - Lower.....	1
23	SC-093-23	Mach. Screw 10-24 x 3/8 Phil. Pan Hd.....	3
24	SC-047-46	Set Screw 3/8-16 x 1-1/4 Hex Hdls., Half Dog Pt.....	2
25	SC-097-15	Cap Screw 1/4-20 x 1-5/8 Hex Hd.....	2
26	00-916515	Catch - Rear Bowl.....	1
27	00-916504-00001	Handle - Bowl Release (Incls. Items 18, 19, & 20).....	1

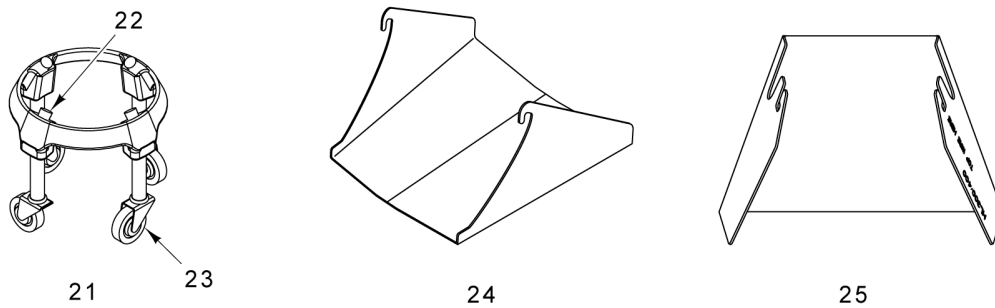
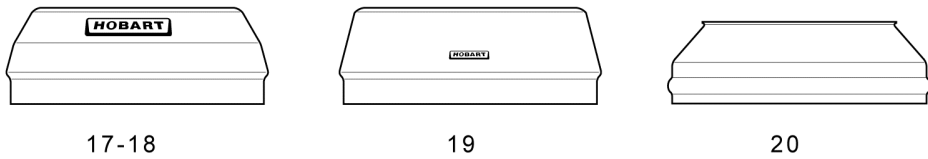
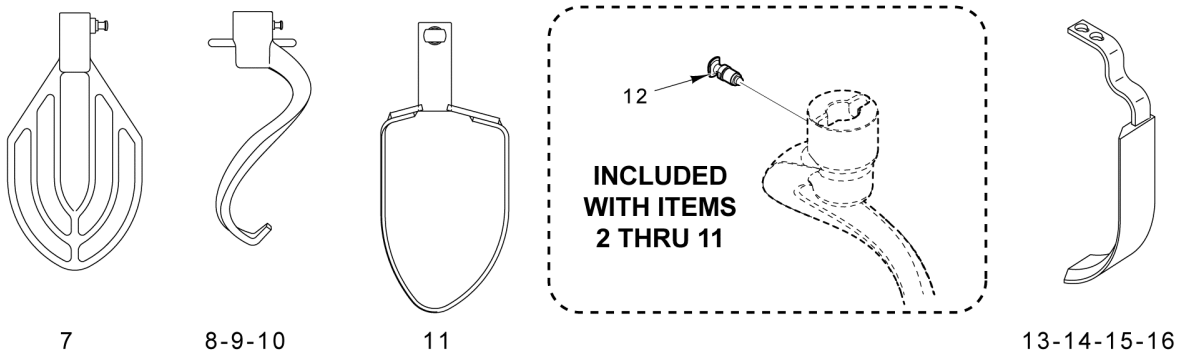
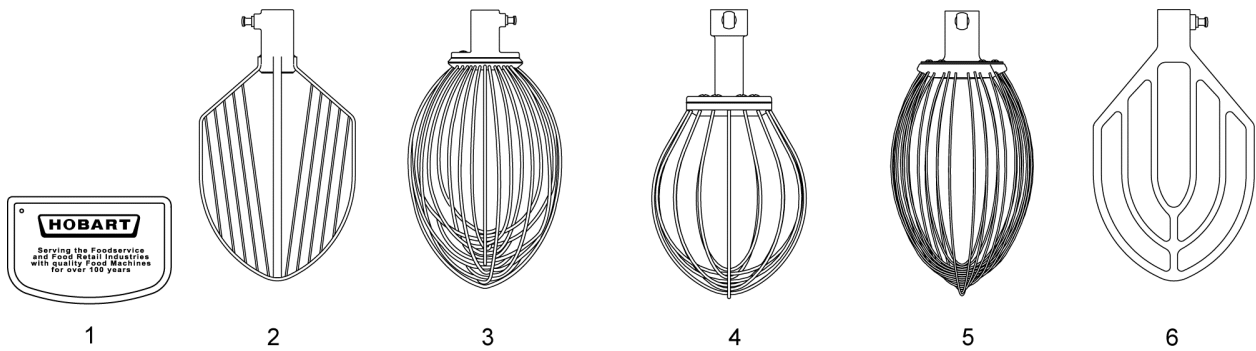


PL-58644

BOWL AND BOWL GUARD

BOWL AND BOWL GUARD

ILLUS.	PART NO.	NAME OF PART	AMT.
PL-58644			
1	00-937210-00001	Wire Cage Assy. (Incls. Items 3, 4, & 5) (ML-134365 & ML-141039)	1
2	00-937210-00003	Wire Cage Assy. (Incls. Items 3, 4, & 5) (ML-134368 & ML-141091).....	1
3	00-917357	Holder - Magnet (Upper).....	1
4	00-937623	Magnet - Disc.....	1
5	00-917358	Holder - Magnet (Lower).....	1
6	00-916610	Spacer - Splash Guard.....	4
7	00-916671	Rod - Splash Guard.....	4
8	NS-038-04	Lock Nut 1/4-20.....	4
9	SD-034-19	Self-Tapping Screw 10-16 x 3/8 Phil. Truss Hd., Type AB.....	1
10	00-874929	Switch - Reed (Fused Assy.) (ML-134365, ML-134368, & ML-141039)	1
11	00-087711-00352	Switch - Reed (ML-141091).....	1
12	00-916617	Bowl Assy. (20 Qt.) (Incls. Items 15, 16, & 17) (Packaged).....	1
13	00-916616	Bowl Assy. (30 Qt.) (Incls. Items 15, 16, & 17) (Packaged).....	1
14	00-916615	Bowl Assy. (40 Qt.) (Incls. Items 15, 16, & 17) (Packaged).....	1
15	00-917358	Holder - Magnet (Lower).....	1
16	00-937623	Magnet - Disc.....	1
17	00-917357	Holder - Magnet (Upper).....	1
18	00-917228	Guard - Splash Back.....	1



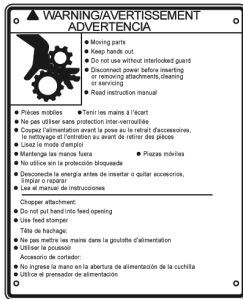
26 00-439096 Chute - Ingredient
 27 00-917928 Chute - Ingredient
PARTS NOT ILLUSTRATED

PL-58643

AGITATORS AND ACCESSORIES

AGITATORS AND ACCESSORIES

ILLUS.	PART NO.	NAME OF PART	AMT.
PL-58643			
1	00-118801	Scraper - Bowl (Handheld).....	1
2	00-916573	"C" Wire Whip (30 & 40 Qt.) (Packaged) (Incls. Item 12).....	1
3	00-916598	"D" Wire Whip (20 Qt.) (Packaged) (Incls. Item 12).....	1
4	00-916520	"I" Wire Whip (30 & 40 Qt.) (Packaged) (Incls. Item 12).....	1
5	00-916421	"D" Wire Whip (30 & 40 Qt.) (Packaged) (Incls. Item 12).....	1
6	00-916372	"B" Beater (30 & 40 Qt.) (Packaged) (Incls. Item 12).....	1
7	00-916582	"B" Flat Beater (20 Qt.) (Packaged) (Incls. Item 12).....	1
8	00-916827	"ED" Dough Arm (20 Qt.) (Packaged) (Incls. Item 12).....	1
9	00-916618-00001	"ED" Hook (30 & 40 Qt.) (Packaged) (Incls. Item 12).....	1
10	00-916618-00002	"ED" Hook (40 Qt.) (SST) (Packaged) (Incls. Item 12).....	1
11	00-916481	"P" Pastry Knife (30 & 40 Qt.) (Packaged) (Incls. Item 12).....	1
12	00-874753	Plunger Assy.....	AR
13	00-916839	Bowl Scraper (40 Qt.) (Packaged) (Incls. Item 14).....	1
14	00-435636-00003	Scraper - Bowl (40 Qt.).....	1
15	00-916838	Bowl Scraper (30 Qt.) (Packaged) (Incls. Item 16).....	1
16	00-435636-00002	Scraper - Bowl (30 Qt.).....	1
17	00-438079	Splash Cover (20 Qt.) (Lexan) (Packaged).....	1
18	00-438080	Splash Cover (30 Qt.) (Lexan) (Packaged).....	1
19	00-916897	Splash Cover (40 Qt.) (Lexan) (Packaged).....	1
20	00-875677	Splash Cover (20 Qt.) (Packaged) (SST).....	1
21	00-916883	Bowl Truck Assy. (Incls. Items 22 & 23).....	1
22	00-018682-00001	Foot.....	4
23	00-087668-00002	Caster.....	4
24	00-916684	Ingredient Chute (20 Qt.) (Packaged).....	1
25	00-438607	Ingredient Chute (30 Qt.) (Packaged).....	1
26	00-439096	Ingredient Chute (40 Qt.) (Packaged).....	1
27	00-917928	Ingredient Chute (HL300/HL400).....	1



1



2

PL-65198

LABELS & NAMEPLATES

LABELS & NAMEPLATES

ILLUS.	PART NO.	NAME OF PART	AMT.
PL-PL-65198			
1	00-916957-00064	Label - Warning, Moving Parts (Trilingual).....	1
2	00-938643	Label, Legacy "+" Medium (2.81" X .478").....	1

