



# CATALOG OF REPLACEMENT PARTS



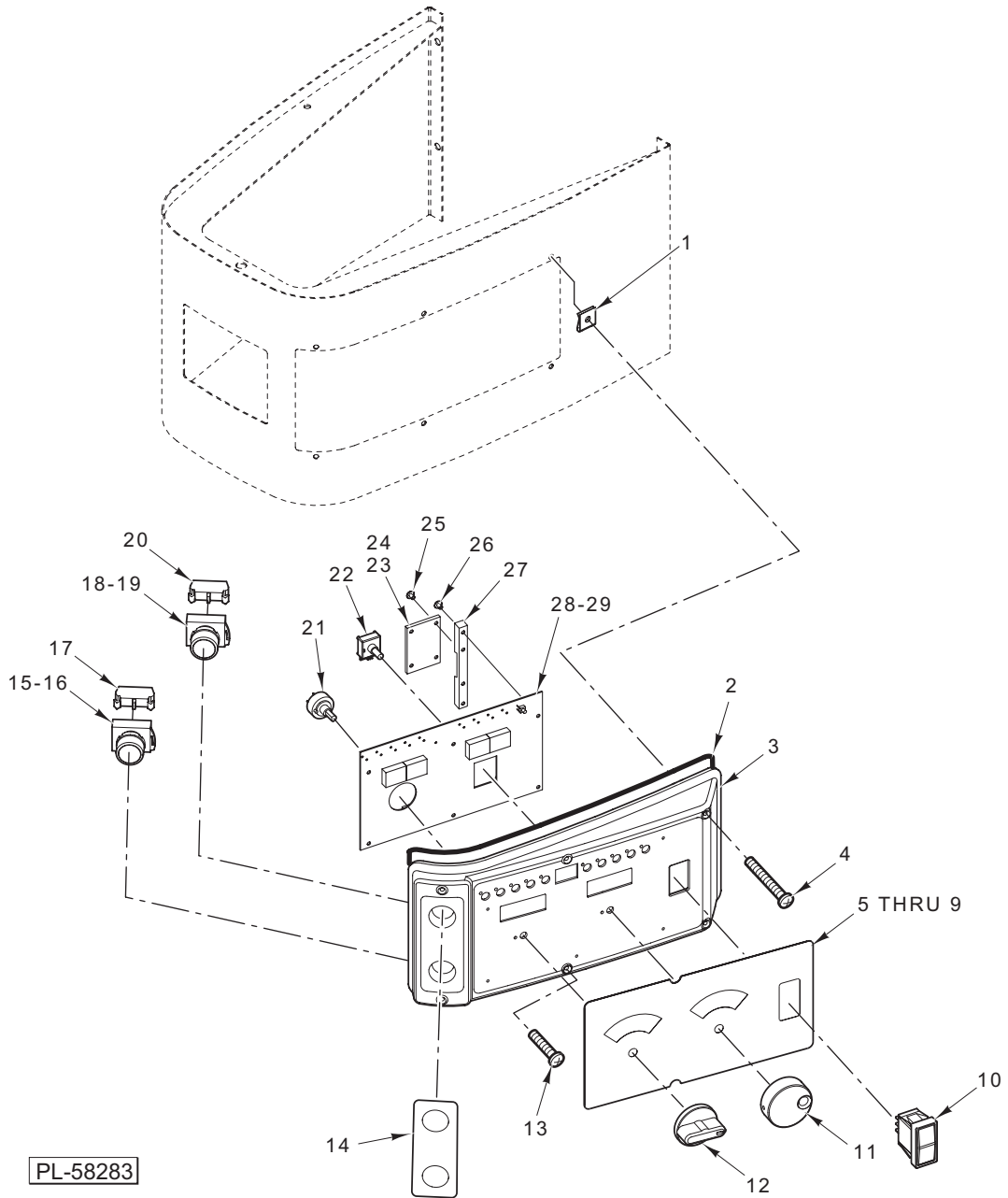
## LEGACY MIXER

HL600CE	ML-134328
HL662CE	ML-134329
HL600AUS	ML-134340



### Table of Contents

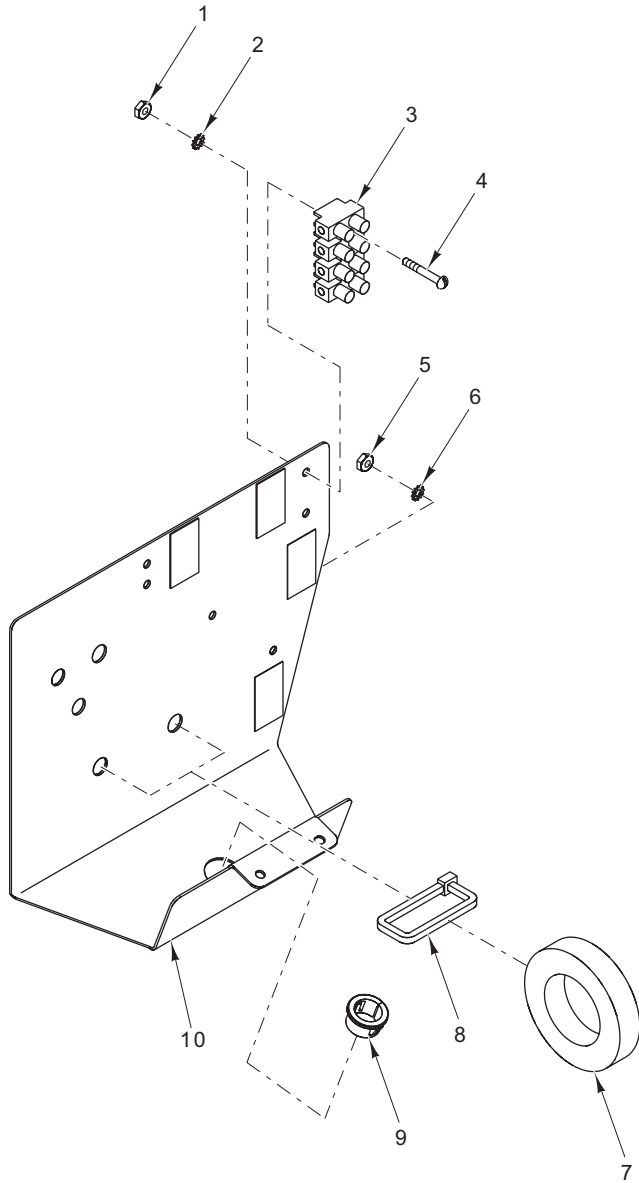
5	CONTROL PANEL
7	ELECTRICAL COMPONENTS
9	ELECTRICAL COMPONENTS
11	ATTACHMENT HUB
13	BASE AND PEDESTAL
15	BOWL SUPPORT
17	TRANSMISSION CASE AND MOTOR
19	TRANSMISSION
21	PLANETARY
23	BOWL GUARD
24	AGITATORS AND ACCESSORIES



**CONTROL PANEL**

## CONTROL PANEL

ILLUS.	PART NO.	NAME OF PART	AMT.
PL-58283			
1	00-874338	Fastener – Self-Retaining .....	6
2	00-875814	Seal – Control Panel .....	1
3	00-873945	Panel – Control .....	1
4	SC-128-40	Mach. Screw 8-32 x 2 <sup>1</sup> / <sub>4</sub> Phil. Oval Hd. (SST) .....	2
5	00-916233	Overlay (ML-134328) (Standard Timer) .....	1
6	00-916234	Overlay (ML-134328) (Recipe Timer) .....	1
7	00-875962	Overlay (ML-134329) .....	1
8	00-916232	Overlay (ML-134340) (Recipe Timer) .....	1
9	00-916231	Overlay (ML-134340) (Standard Timer) .....	1
10	00-087711-330-1	Switch – Rocker (Bowl Lift) .....	1
11	00-875724	Knob – Timer .....	1
12	00-874630	Knob – Speed Selector .....	1
13	SC-128-39	Mach. Screw 8-32 x 1 <sup>1</sup> / <sub>2</sub> Phil. Oval Hd. (SST) .....	4
14	00-875963	Label (Mix/Stop) .....	1
15	00-478752-00002	Switch – Operator (Start) .....	1
16	00-478751-00001	Cap (Start) .....	1
17	00-087711-322-3	Block – Contact (Start) .....	1
18	00-478752-00001	Switch – Operator (Stop) .....	1
19	00-478753-00001	Cap (Stop) .....	1
20	00-087711-322-4	Block – Contact (Stop) .....	1
21	00-874631	Potentiometer Assy. (Speed Selector) .....	1
22	00-875723	Encoder Assy. (Time Selector) .....	1
23	00-916063	Bumper .....	2
24	00-874922	Interface – Circuit Board Assy. ....	1
25	SD-038-49	Mach. Screw 6-32 x 1 <sup>1</sup> / <sub>2</sub> Self Tapping Hex Hd. ....	2
26	SD-039-23	Self-Tapping Screw 6-32 x 1 <sup>1</sup> / <sub>4</sub> Hex Washer Hd., Type RL .....	5
27	00-916061	Block – Interface Mounting .....	1
28	00-916560	PCB Assy. (Recipe Timer) (ML-134328 & ML-134340) .....	1
29	00-916557	PCB Assy. (Standard Timer) (ML-134329) .....	1

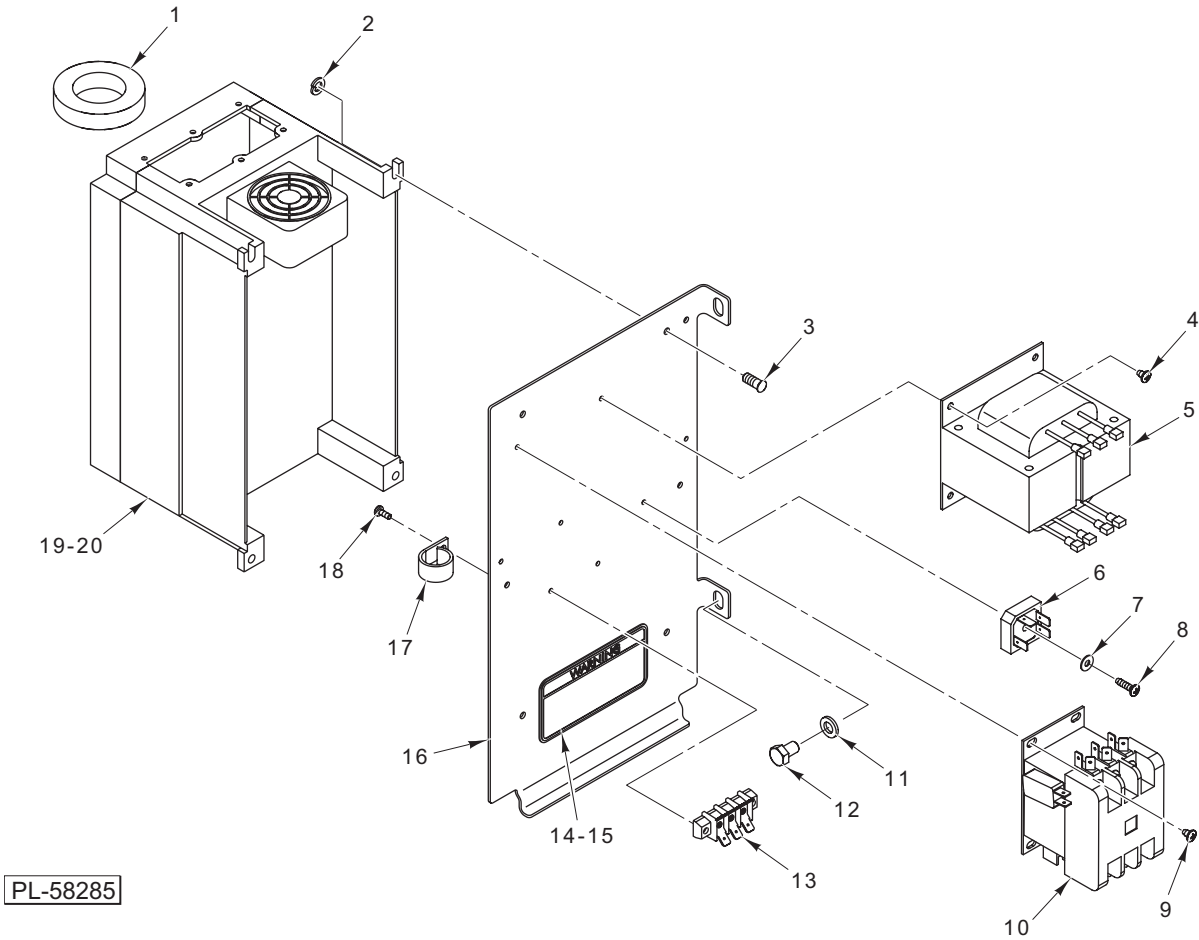


PL-58284

### ELECTRICAL COMPONENTS

**ELECTRICAL COMPONENTS**

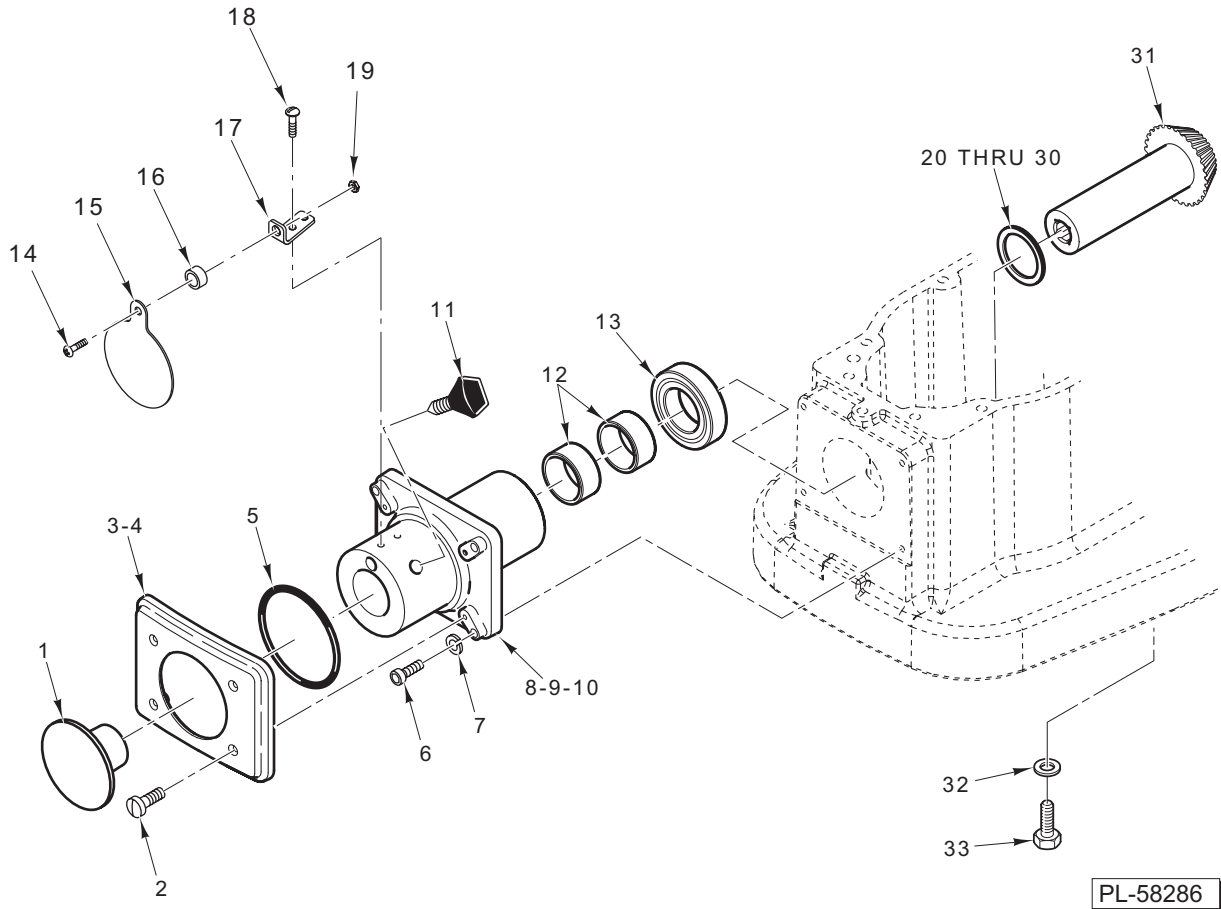
ILLUS.	PART NO.	NAME OF PART	AMT.
PL-58284			
1	NS-009-07	Nut 6-32 Hex.....	2
2	WL-014-03	Lockwasher #6 External Shakeproof.....	2
3	00-477562-00002	Block – Terminal.....	1
4	SC-009-64	Mach. Screw 6-32 x 1 Slotted Rd. Hd.....	2
5	NS-009-07	Nut 6-32 Hex.....	1
6	WL-014-03	Lockwasher #6 External Shakeproof.....	1
7	00-916185-00001	Ferrite.....	1
8	00-113703	Tie – Cable.....	1
9	FE-021-13	Bushing – Electrical Split.....	1
10	00-875981	Shield – Wire.....	1
	00-916485	Fuse Assy.....	1



**ELECTRICAL COMPONENTS**

**ELECTRICAL COMPONENTS**

ILLUS.	PART NO.	NAME OF PART	AMT.
PL-58285			
1	00-916185-00001	Ferrite .....	1
2	WL-007-12	Lockwasher #10 External .....	4
3	00-113631-00043	Stud – Self-Clinching .....	4
4	SD-015-39	Self-Tapping Screw 8-32 x 1/4 Phil. Pan Hd., Type TT .....	2
5	00-294500-050-1	Transformer .....	1
6	00-042159	Rectifier – Bridge (100 V., 35 Amp.).....	1
7	WS-019-41	Washer (SST) .....	1
8	SD-012-20	Self-Tapping Screw 8-32 x 1/2 Phil. Truss Hd., Type T .....	1
9	SD-015-39	Self-Tapping Screw 8-32 x 1/4 Phil. Pan Hd., Type TT .....	2
10	00-087713-101-3	Contactora (3P, 30 Amp./Aux.).....	1
11	WL-003-44	Lockwasher 5/16 Helical .....	2
12	SC-041-09	Cap Screw 5/16-18 x 1/2 Hex Hd. (SST).....	2
13	00-916269	Block – Terminal.....	1
14	00-438131-00174	Label – Warning (ML-134340) .....	1
15	00-438131-00180	Label – Warning (ML-134328 & ML-134329).....	1
16	00-916577	Bracket – Mounting (GE Controller).....	1
17	00-294677-00002	Clamp .....	2
18	SD-015-20	Self-Tapping Screw 10-32 x 3/8 Phil. Pan Hd., Type TT .....	2
19	00-916390-00001	Drive – Switch Reluctance (230 V.) (ML-134340).....	1
20	00-916390-00002	Drive – Switch Reluctance (460 V.) (ML-134328 & ML-134329).....	1
	00-916141-00001	Panel Assy. – SR Drive (230 V., 3 Ph.) (ML-134340) .....	1
	00-916141-00002	Panel Assy. – SR Drive (460 V., 3 Ph.) (ML-134328 & ML-134329).....	1
	00-916327	Filter – Power Line .....	1
	WL-003-22	Lockwasher.....	4
	WS-002-51	Washer.....	4
	NS-009-22	Nut 10-24 Hex.....	8

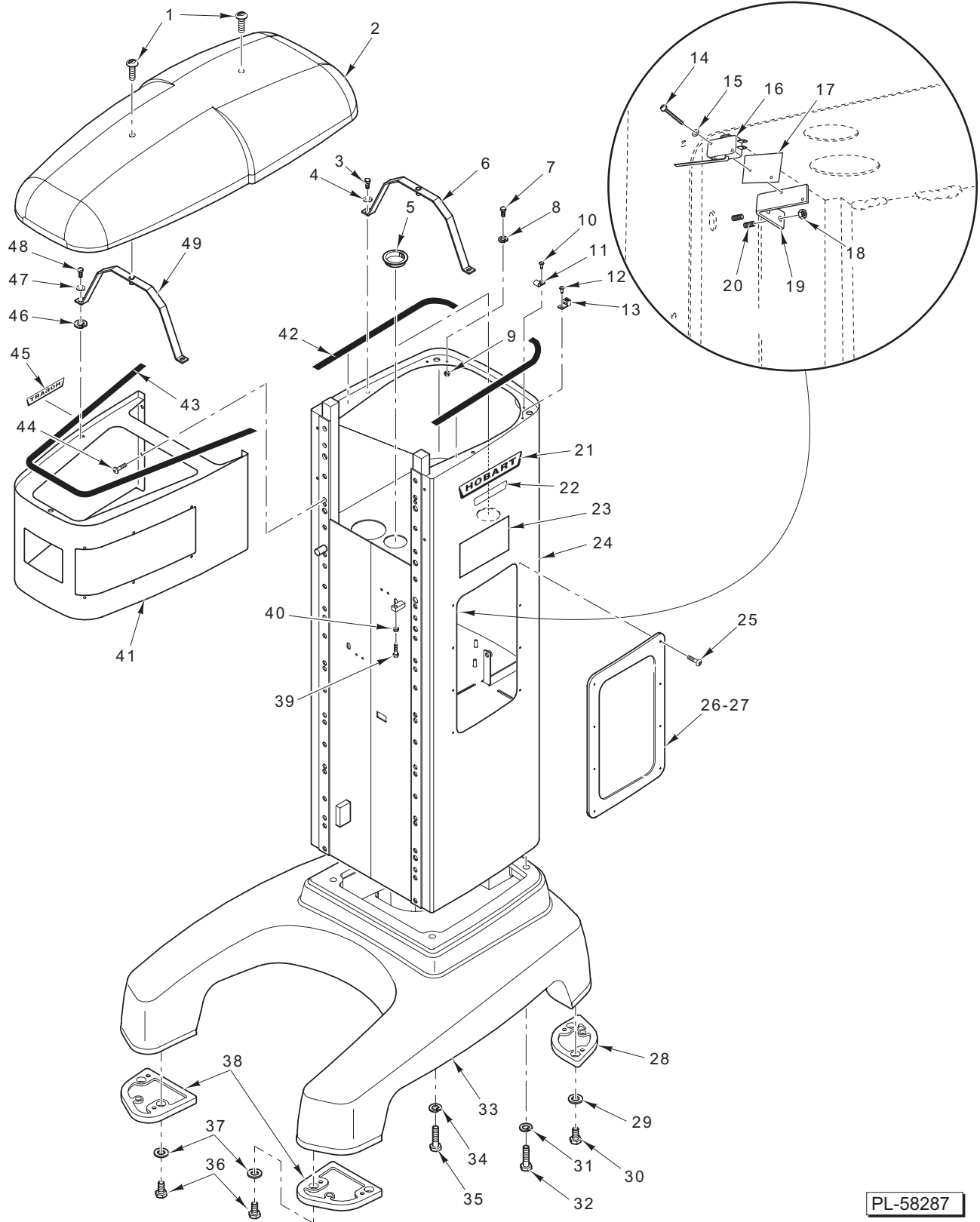


PL-58286

**ATTACHMENT HUB**

## ATTACHMENT HUB

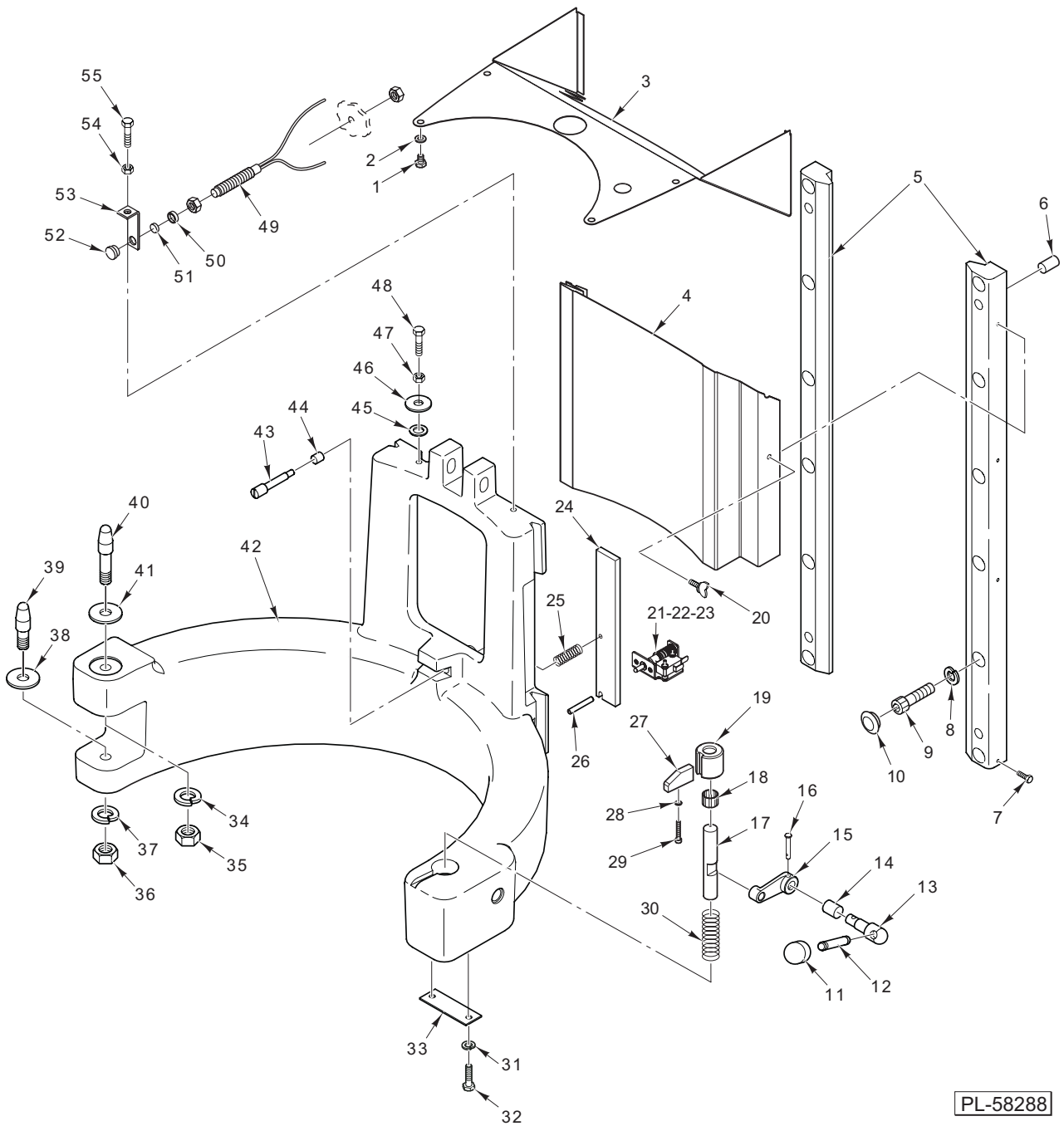
ILLUS.	PART NO.	NAME OF PART	AMT.
PL-58286			
1	00-114824-00001	Plug – Attachment (ML-134340).....	1
2	SC-079-04	Mach. Screw 8-32 x 3/4 Phil. Oval Hd. (SST).....	4
3	00-873973-00002	Panel – Front.....	1
4	00-875813	Seal – Attachment Hub Cover.....	1
5	OR-001-09	O-Ring.....	1
6	SD-036-13	Self-Tapping Screw 1/4-20 x 1 1/4 Type T Hex Hd.....	4
7	WL-003-38	Lockwasher 1/4 Helical.....	4
8	00-874290-00005	Hub – Attachment (ML-134340).....	1
9	00-875984	Hub – Attachment (ML-134328 & ML-134329).....	1
10	00-508462	Sealer – Permatex (11 oz.).....	1
11	00-108197-00001	Thumb Screw.....	1
12	BN-002-06	Bearing – Needle.....	2
13	BB-013-03	Ball Bearing.....	1
14	SC-093-23	Mach. Screw 10-24 x 3/8 Phil. Pan Hd.....	1
15	00-875989	Cover – Attachment Hub (ML-134328 & ML-134329).....	1
16	00-875991	Bushing – Cover Mounting (ML-134328 & ML-134329).....	1
17	00-875988	Bracket – Cover Mounting (ML-134328 & ML-134329).....	1
18	SC-093-23	Mach. Screw 10-24 x 3/8 Phil. Pan Hd. (ML-134328 & ML-134329).....	2
19	NS-046-28	Crown Nut 10-24 (SST) (ML-134328 & ML-134329).....	1
20	00-061920-00001	Washer – Thrust (0.076 Thk.).....	AR
21	00-061920-00002	Washer – Thrust (0.079 Thk.).....	AR
22	00-061920-00003	Washer – Thrust (0.082 Thk.).....	AR
23	00-061920-00004	Washer – Thrust (0.085 Thk.).....	AR
24	00-061920-00005	Washer – Thrust (0.088 Thk.).....	AR
25	00-061920-00006	Washer – Thrust (0.091 Thk.).....	AR
26	00-061920-00007	Washer – Thrust (0.094 Thk.).....	AR
27	00-061920-00008	Washer – Thrust (0.097 Thk.).....	AR
28	00-061920-00009	Washer – Thrust (0.100 Thk.).....	AR
29	00-061920-00010	Washer – Thrust (0.103 Thk.).....	AR
30	00-061920-00011	Washer – Thrust (0.106 Thk.).....	AR
31	00-874277	Pinion – Bevel (24T).....	1
32	WS-021-21	Washer.....	1
33	SC-041-42	Cap Screw 1/2-20 x 1 Hex Hd.....	1



**BASE AND PEDESTAL**

## BASE AND PEDESTAL

ILLUS.	PART NO.	NAME OF PART	AMT.
PL-58287			
1	SC-120-30	Mach. Screw 1/4-20 x 2 Phil. Oval Hd.....	2
2	00-916261	Cover Assy. – Top .....	1
3	SC-036-06	Cap Screw 1/4-20 x 1 Hex Hd. ....	2
4	WS-003-43	Washer.....	2
5	FE-026-28	Bushing – Electric Snap.....	2
6	00-874222	Rear Strap Assy. – Rear .....	1
7	SC-113-96	Mach. Screw 8-32 x 1/2 Slotted Hex Hd. (ML-134328 & ML-134329).....	1
8	WL-008-07	Lockwasher (ML-134328 & ML-134329) .....	2
9	NS-009-12	Nut 8-32 (ML-134328 & ML-134329).....	2
10	SD-029-02	Self-Tapping Screw 10-24 x 1/2 Slotted Pan Hd., Type F .....	1
11	00-078752-00003	Clamp – Cable (ML-134340) .....	1
12	SD-029-02	Self-Tapping Screw 10-24 x 1/2 Slotted Pan Hd., Type F .....	1
13	00-118544-00001	Lug – Solderless (ML-134340) .....	1
14	SC-060-40	Mach. Screw 4-40 x 5/8 Slotted Rd. Hd. ....	4
15	WL-003-03	Lockwasher #4 Helical.....	4
16	00-087711-00248	Switch – Bowl Height.....	2
17	00-439892	Insulator – Switch .....	2
18	NS-009-30	Nut 10-32 Hex .....	4
19	00-874109	Bracket – Bowl Travel Switch .....	2
20	00-113631-00040	Stud – Self-Clinching .....	4
21	00-874401	Logo – Hobart.....	1
22	00-874379	Label – Legacy .....	1
23	00-874605	Label – Timer Instructions (ML-134328 & ML-134340) .....	1
24	00-873894-00005	Pedestal Assy.....	1
25	SD-009-41	Self-Tapping Screw 8-32 x 3/8 Slotted Pan Hd., Type F (SST).....	8
26	00-874238-00001	Cover – Side (Incls. Item 27) .....	1
27	00-875815	Seal – Side Panel .....	2
28	00-874585	Foot – Rear.....	2
29	WS-006-36	Washer.....	4
30	SC-110-03	Cap Screw 3/8-16 x 3/4 Hex Socket Hd. ....	4
31	WL-004-11	Lockwasher 1/2 Helical.....	2
32	SC-062-83	Cap Screw 1/2-13 x 1 1/2 Hex Hd. ....	2
33	00-873950-002-1	Base.....	1
34	WL-004-11	Lockwasher 1/2 Helical.....	6
35	SC-128-47	Cap Screw 1/2-13 x 3 Hex Hd. ....	6
36	SC-110-03	Cap Screw 3/8-16 x 3/4 Hex Socket Hd. ....	4
37	WS-006-36	Washer.....	4
38	00-874152	Foot – Front.....	2
39	SC-041-13	Cap Screw 5/16-18 x 1 Hex Hd. (SST) .....	1
40	NS-013-14	Nut 5/16-18 Hex .....	1
41	00-916196	Wrapper Assy.– Transmission.....	1
42	00-874512-00001	Seal – Top Cover (Rear).....	2
43	00-874512-00002	Seal – Top Cover .....	1
44	SD-039-06	Self-Tapping Screw 1/4-20 x 3/4 Hex Washer Hd., Type F.....	4
45	00-118365	Decal – Hobart.....	1
46	WL-003-38	Lockwasher 1/4 Helical.....	1
47	WS-003-43	Washer.....	2
48	SC-036-06	Cap Screw 1/4-20 x 1 Hex Hd. ....	2
49	00-874223	Strap Assy. – Front.....	1
	FE-026-44	Relief – Strain Electrical.....	1
	00-874604	Kit – Rubber Foot.....	1
	SC-129-46	Cap Screw 6 x 1 x 4mm (SST) (ML-134328 & ML-134329).....	1
	WL-013-14	Lockwasher (SST) (ML-134328 & ML-134329).....	2
	NS-047-13	Nut Hex (SST) (ML-134328 & ML-134329) .....	1

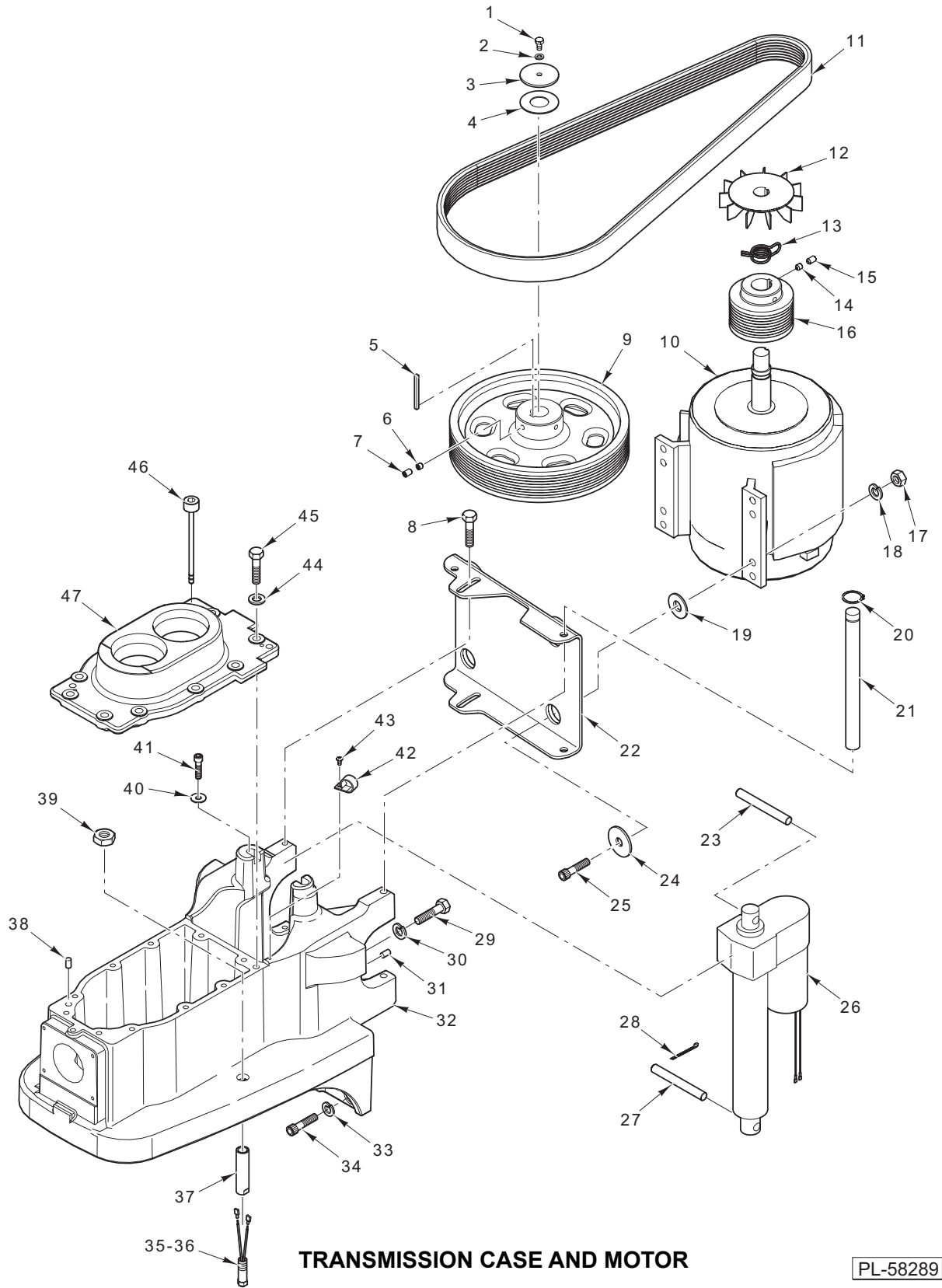


PL-58288

**BOWL SUPPORT**

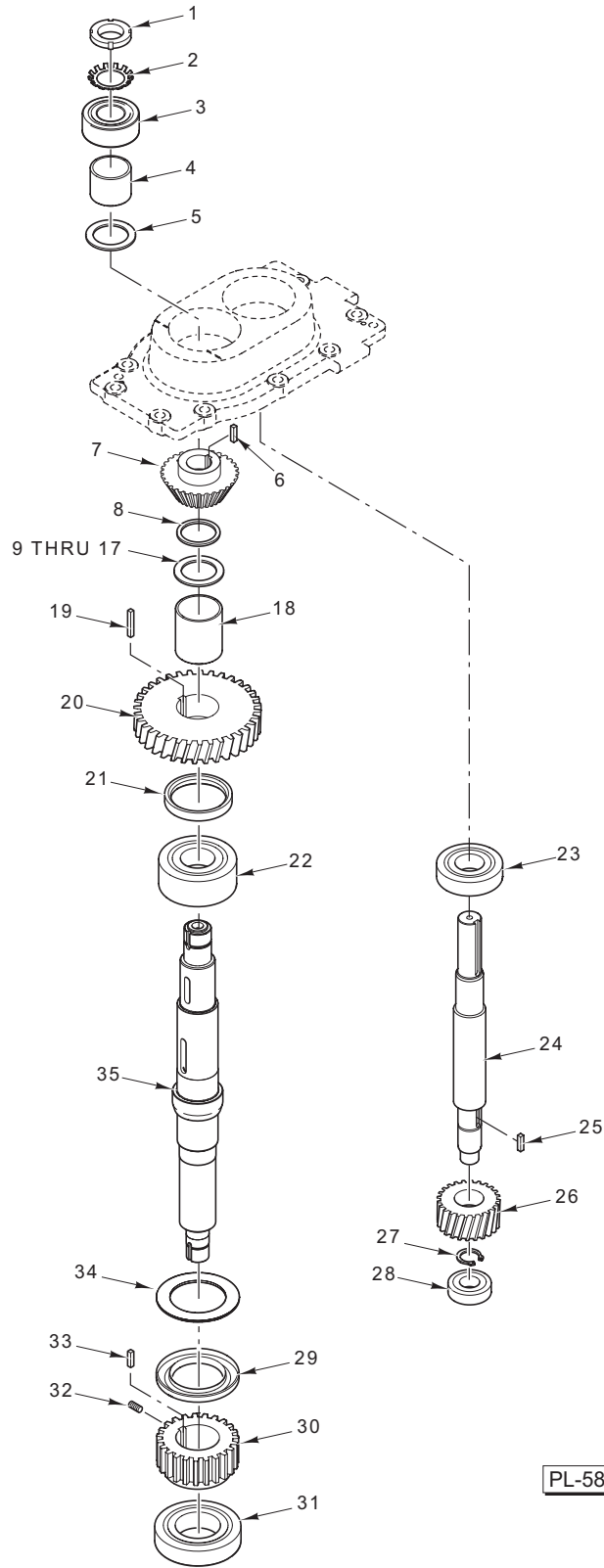
## BOWL SUPPORT

ILLUS. PL-58288	PART NO.	NAME OF PART	AMT.
1	SC-062-20	Cap Screw 1/4-20 x 3/8 Hex Hd.....	4
2	WL-003-38	Lockwasher 1/4 Helical.....	4
3	00-916378	Cover – Upper Apron.....	1
4	00-916379	Apron – Lower.....	1
5	00-873885-00002	Slideway.....	2
6	00-011800-00143	Dowel.....	2
7	SC-128-95	Mach. Screw 10-24 x 1/4 Phil. Rd. Hd.....	AR
8	WL-004-02	Lockwasher 3/8 Helical.....	12
9	SC-092-62	Cap Screw 3/8-16 x 1 1/2 Hex Soc. Hd.....	12
10	PB-004-90	Cap.....	12
11	00-875356	Handle – Lift Lever.....	1
12	00-874197	Shaft – Bowl Pin Handle.....	1
13	00-874220	Handle – Bowl Pin.....	1
14	00-874138	Bushing – Bowl Pin Cam.....	1
15	00-874218	Clevis – Bowl Lock.....	1
16	00-874388	Detent – Clevis Lock.....	1
17	00-874219	Pin – Bowl (RH).....	1
18	00-874499	Bushing – Bowl Lock Pin.....	2
19	00-874506	Button – Rest Bowl.....	1
20	00-070641-00009	Thumb Screw (ML-134340).....	2
21	00-874903	Switch Assy.....	1
22	00-874893	Retainer.....	1
23	SC-010-11	Mach. Screw 8-32 x 3/8 Slotted Truss Hd.....	2
24	00-874464	Plate – Push.....	1
25	00-874496	Spring – Pushplate.....	1
26	RP-005-12	Roll Pin 3/16 x 1 1/4 Lg.....	1
27	00-874113	Ramp – Wear.....	1
28	WL-003-12	Washer.....	1
29	SC-040-92	Cap Screw 8-32 x 1 Hex Soc. Hd.....	1
30	00-874198	Spring – Bowl Pin.....	1
31	WL-003-38	Lockwasher 1/4 Helical.....	2
32	SC-036-14	Cap Screw 1/4-20 x 1/2 Hex Hd.....	2
33	00-874199	Strap – Spring Retaining.....	1
34	WL-004-12	Lockwasher 1/2 Helical.....	1
35	NS-013-30	Nut 1/2-13 Hex.....	1
36	NS-013-30	Nut 1/2-13 Hex.....	1
37	WL-004-12	Lockwasher 1/2 Helical.....	1
38	00-874084	Bushing – Bowl Support.....	1
39	00-873846	Pin – Bowl.....	1
40	00-873845	Pin – Bowl.....	1
41	00-874084	Bushing – Bowl Support.....	1
42	00-873844-00003	Yoke.....	1
43	00-874458	Plunger – Bowl-In.....	1
44	00-874492	Bushing – Bowl-In.....	1
45	WS-006-36	Washer.....	3
46	WS-005-33	Washer (SST).....	1
47	NS-013-14	Nut 5/16-18 Hex.....	1
48	SC-041-13	Cap Screw 5/16-18 x 1 Hex Hd. (SST).....	1
49	00-875734	Switch – Reed (Fused).....	1
50	00-874887	Holder – Magnet (Upper).....	1
51	00-874875	Magnet – Disc.....	1
52	00-874886	Holder – Magnet (Lower).....	1
53	00-916079	Bracket – Magnet.....	1
54	NS-013-14	Nut 5/16-18 Hex.....	1
55	SC-041-13	Cap Screw 5/16-18 x 1 Hex Hd. (SST).....	1
	00-874139	Bowl Lock Handle Assy. (Incls. Items 11, 12, & 13).....	1



## TRANSMISSION CASE AND MOTOR

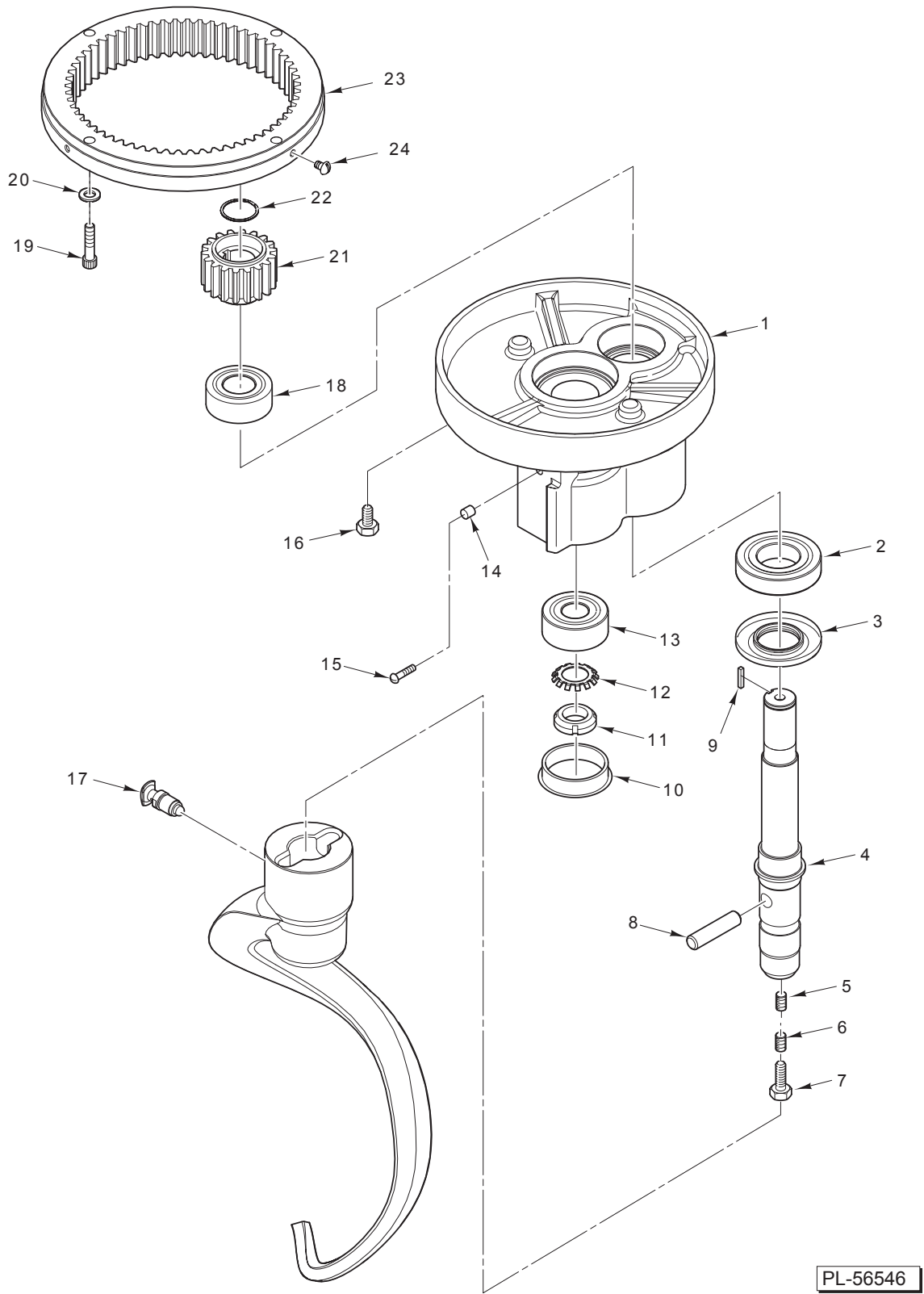
ILLUS. PL-58289	PART NO.	NAME OF PART	AMT.
1	SC-118-19	Cap Screw 1/4-20 x 3/4 Hex Hd.....	1
2	WL-003-38	Lockwasher 1/4 Helical.....	1
3	00-874345-00003	Washer – Special.....	1
4	00-874345-00004	Washer – Special.....	1
5	00-012430-00177	Key 1/4 x 1/4 x 2 1/2 .....	1
6	SC-047-31	Set Screw 5/16-18 x 5/16 Hex Hdls., Cup Pt.....	2
7	SC-047-34	Set Screw 5/16-18 x 1/2 Hex Hdls., Cup Pt.....	2
8	SC-123-50	Cap Screw 3/8-16 x 1 Hex Washer Hd.....	2
9	00-874000	Sheave – Driven .....	1
10	00-916209-00003	Motor (200-400V., 3 Ph.).....	1
11	00-873921-00002	Belt.....	1
12	00-916530	Fan – Cooling .....	1
13	00-916531	Clamp .....	1
14	SC-047-31	Set Screw 5/16-18 x 5/16 Hex Hdls., Cup Pt.....	2
15	SC-047-34	Set Screw 5/16-18 x 1/2 Hex Hdls., Cup Pt.....	2
16	00-873999	Sheave – Drive .....	1
17	NS-013-22	Nut 3/8-16 Hex .....	4
18	WL-004-06	Lockwasher 3/8 Helical.....	4
19	00-874345-00001	Washer.....	1
20	RR-004-19	Retaining Ring .....	2
21	00-874241	Pin – Pivot Motor Bracket .....	1
22	00-916331	Plate – Motor Mounting.....	1
23	00-874315	Pin – Actuator (Upper) .....	1
24	WS-006-36	Washer.....	4
25	SC-040-23	Cap Screw 3/8-16 x 1 1/4 Hex Soc. Hd.....	4
26	00-874057	Actuator (Bowl Lift) .....	1
27	00-874117	Pin – Clevis.....	1
28	PC-003-50	Cotter Pin 7/64 x 1 Lg.....	1
29	SC-062-67	Cap Screw 1/2-13 x 2 1/4 Hex Hd.....	2
30	WL-004-11	Lockwasher 1/2 Helical.....	2
31	00-011800-00221	Dowel.....	2
32	00-873996-00003	Case – Transmission .....	1
33	WL-004-11	Lockwasher 1/2 Helical.....	2
34	SC-040-36	Cap Screw 1/2-13 x 1 3/4 Soc. Hex Hd.....	2
35	00-874958-00001	Switch – Reed & Extension (ML-134340).....	1
36	00-874929-00002	Switch – Reed & Extension (ML-134328 & ML-134329) .....	1
37	00-874128	Extension – Bowl Guard Switch (Bowl Guard) .....	1
38	00-011800-00224	Dowel.....	2
39	NS-017-46	Nut – Jam 3/4-10 Hex.....	1
40	WS-006-36	Washer.....	2
41	SC-040-16	Cap Screw 5/16-18 x 1 Hex Soc. Hd.....	2
42	00-294677-00003	Clamp .....	1
43	SC-018-62	Mach. Screw 10-24 x 3/8 .....	1
44	WL-004-04	Lockwasher 3/8 Helical.....	10
45	SC-062-48	Cap Screw 3/8-16 x 1 1/8 Hex Hd.....	10
46	00-874131	Dipstick .....	1
47	00-873916-00002	Cover – Transmission .....	1



**TRANSMISSION**

## TRANSMISSION

ILLUS.	PART NO.	NAME OF PART	AMT.
PL-58290			
1	NS-034-07	Lock Nut.....	1
2	WL-017-07	Lockwasher – Bearing 1 1/2 x 1 61/64 .....	1
3	BB-021-35	Ball Bearing (SKF-5206 A-2RS/C3/HT51).....	1
4	00-874293	Spacer (1 1/2 I.D.).....	1
5	00-874283-00002	Shim – Gear.....	AR
6	00-875419-00071	Key 5/16 x 5/16 x 1 5/8 .....	1
7	00-874282	Gear – Bevel (30T).....	1
8	00-874384	Spacer – Gear .....	1
9	00-874283-00001	Shim – Gear (0.066 Thk.).....	AR
10	00-874283-00002	Shim – Gear (0.072 Thk.).....	AR
11	00-874283-00003	Shim – Gear (0.078 Thk.).....	AR
12	00-874283-00004	Shim – Gear (0.084 Thk.).....	AR
13	00-874283-00005	Shim – Gear (0.090 Thk.).....	AR
14	00-874283-00006	Shim – Gear (0.096 Thk.).....	AR
15	00-874283-00007	Shim – Gear (0.102 Thk.).....	AR
16	00-874283-00008	Shim – Gear (0.108 Thk.).....	AR
17	00-874283-00009	Shim – Gear (0.116 Thk.).....	AR
18	00-874294	Spacer (1.755 I.D.).....	1
19	00-875419-00080	Key 5/16 x 5/16 x 1 1/16.....	1
20	00-873914	Gear – Drive .....	1
21	00-873922	Spacer – Planetary Shaft.....	1
22	BB-009-30	Ball Bearing .....	1
23	BB-006-36	Ball Bearing .....	1
24	00-873913	Shaft – Input .....	1
25	00-012430-00048	Key 3/16 x 3/16 x 3/4 .....	1
26	00-873915	Gear – Pinion.....	1
27	RR-009-07	Retaining Ring.....	1
28	BB-007-14	Ball Bearing .....	1
29	00-873939	Seal.....	1
30	00-873912	Gear – Sun .....	1
31	BB-007-01	Ball Bearing .....	1
32	SC-047-12	Set Screw 1/4-20 x 3/8 Soc. Hdls., Knife Cup Pt. ....	1
33	00-875419-00075	Key 5/16 x 5/16 x 1 1/16 .....	1
34	00-875909	Spacer .....	1
35	00-875915	Shaft – Planetary .....	1

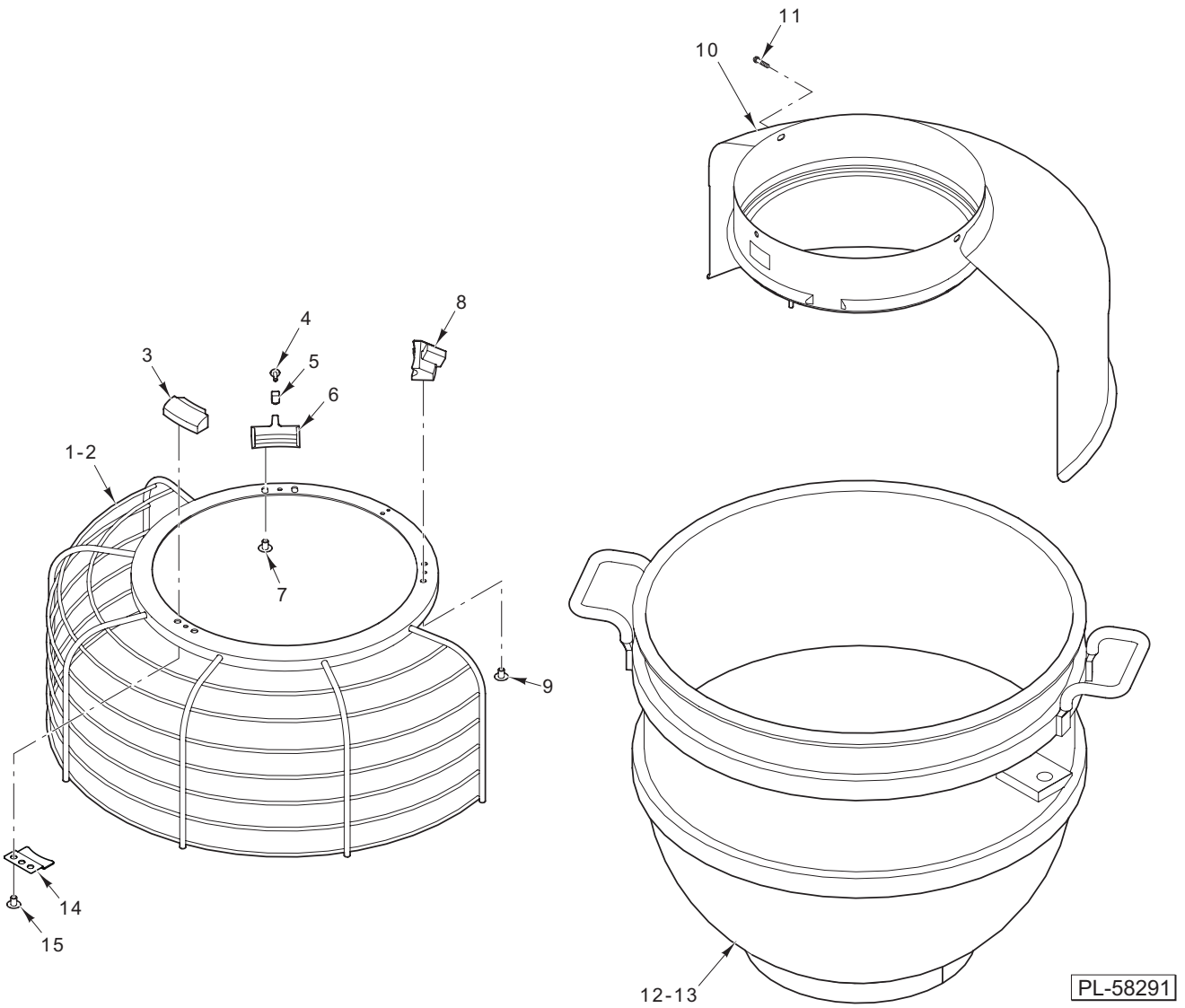


PL-56546

**PLANETARY**

**PLANETARY**

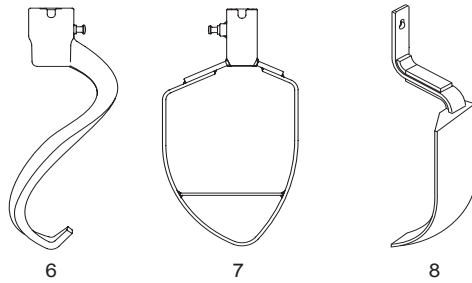
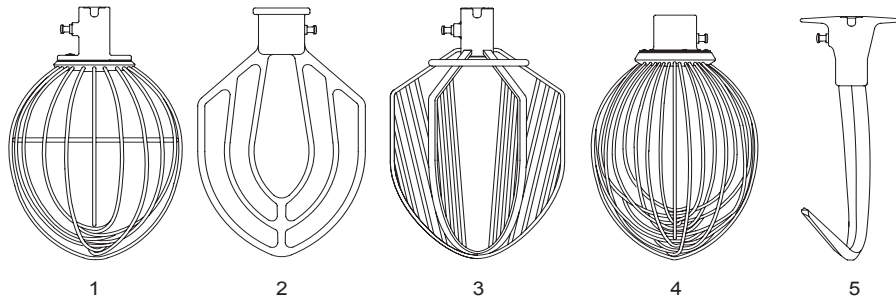
ILLUS.	PART NO.	NAME OF PART	AMT.
PL-56546			
1	00-873995-00002	Planetary.....	1
2	BB-007-01	Ball Bearing .....	1
3	00-292288	Seal.....	1
4	00-873923	Shaft – Agitator .....	1
5	00-007744	Set Screw – Hdls., Cone Pt. ....	1
6	SC-047-41	Set Screw <sup>3</sup> / <sub>8</sub> -16 x <sup>3</sup> / <sub>8</sub> Soc. Hdls., Cup Pt. ....	1
7	00-064723	Plug – Agitator Shaft.....	1
8	00-873953	Pin – Agitator Shaft.....	1
9	00-012430-00154	Key <sup>1</sup> / <sub>4</sub> x <sup>1</sup> / <sub>4</sub> 1 <sup>3</sup> / <sub>8</sub> .....	1
10	00-874291	Plug – Planetary (Plastic) .....	1
11	NS-034-06	Lock Nut.....	1
12	WL-012-06	Lockwasher – Bearing 0.989 x 1.719 .....	1
13	BB-021-52	Ball Bearing .....	1
14	00-874181	Spacer – Scraper Arm .....	1
15	SC-021-54	Mach. Screw <sup>5</sup> / <sub>16</sub> -18 x <sup>7</sup> / <sub>8</sub> Slotted Rd. Hd. (SST) .....	1
16	SC-041-26	Cap Screw <sup>3</sup> / <sub>8</sub> -16 x <sup>1</sup> / <sub>2</sub> Hex Hd. (SST) .....	2
17	00-874145	Plunger Assy. ....	1
18	BB-021-35	Ball Bearing .....	1
19	SC-040-23	Cap Screw <sup>3</sup> / <sub>8</sub> -16 x 1 <sup>1</sup> / <sub>4</sub> Hex Soc. Hd.....	4
20	WL-019-92	Lockwasher <sup>3</sup> / <sub>8</sub> Helical.....	4
21	00-024270	Pinion – Internal (18T) .....	1
22	RR-005-08	Retaining Ring .....	1
23	00-437692	Gear – Internal.....	1
24	SC-021-37	Mach. Screw <sup>1</sup> / <sub>4</sub> -20 x <sup>3</sup> / <sub>8</sub> Slotted Rd. Hd. (SST).....	3
	00-873911-00001	Planetary Assy. (Incls. Items 1 thru 9, 13, 16, 18, 21, & 22) .....	1



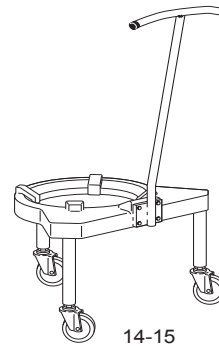
**BOWL GUARD**

**BOWL GUARD**

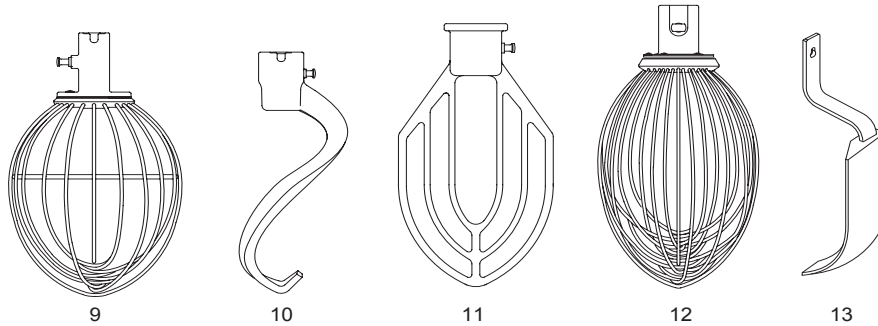
ILLUS.	PART NO.	NAME OF PART	AMT.
PL-58291			
1	00-916005	Wire Cage (ML-134328 & ML-134329).....	1
2	00-875882	Wire Cage (ML-134340) .....	1
3	00-874126	Shoe – Front .....	1
4	SC-123-07	Mach. Screw 8-32 x 1/2 Slotted Truss Hd. ....	1
5	00-437720	Key – Shoe .....	1
6	00-437433-00003	Shoe – Adjustable.....	1
7	SC-122-45	Mach. Screw 1/4-20 x 3/8 Slotted Truss Hd.....	2
8	00-874127	Shoe – Fixed.....	1
9	SC-122-45	Mach. Screw 1/4-20 x 3/8 Slotted Truss Hd.....	2
10	00-874123	Guard – Splash & Drip .....	1
11	SC-021-37	Mach. Screw 1/4-20 x 3/8 Slotted Rd. Hd. (SST).....	3
12	00-875603	Bowl Assy. (60 Quart) (Packaged).....	1
13	00-875604	Bowl Assy. (40 Quart) (Packaged) (Not Shown).....	1
14	00-874168	Stop – Cage.....	1
15	SC-122-45	Mach. Screw 1/4-20 x 3/8 Slotted Truss Hd.....	2
	00-522815	Adhesive .....	AR
	00-916004	Wire Cage Assy. (Incls. Items 1, 3 thru 9, 14, & 15) (ML-134328 & ML-134329) .....	1
	00-875885	Wire Cage Assy. (Incls. Items 2 thru 9, 14, & 15) (ML-134340).....	1



60-QUART AGITATORS



BOWL TRUCK



40-QUART AGITATORS

PL-56515

**AGITATORS AND ACCESSORIES**

ILLUS.	PART NO.	NAME OF PART	AMT.
1	00-874271	"I" Wire Whip (60 Quart) (Packaged).....	1
2	00-874172	"B" Flat Beater (60 Quart) (Packaged).....	1
3	00-874278	"C" Six Wing Whip (60 Quart) (Packaged).....	1
4	00-874190	"D" Wire Whip (60 Quart) (Packaged).....	1
5	00-874284	"E" Dough Arm (60 Quart) (Packaged).....	1
6	00-874285	"ED" Dough Arm (60 Quart) (Packaged).....	1
7	00-874286	"P" Pastry Knife (60 Quart) (Packaged).....	1
8	00-874267	Bowl Scraper (60 Quart) (Packaged).....	1
9	00-874250	"I" Wire Whip (40 Quart) (Packaged).....	1
10	00-874292	"ED" Dough Arm (40 Quart) (Packaged).....	1
11	00-874248	"B" Flat Beater (40 Quart) (Packaged).....	1
12	00-874249	"D" Wire Whip (40 Quart) (Packaged).....	1
13	00-874268	Bowl Scraper (40 Quart) (Packaged).....	1
14	00-874203	Bowl Truck (Packaged).....	1
15	00-874288	Caster – Bowl Truck.....	AR
	00-438104-00004	Extension – Bowl (SST) (Packaged).....	1
	00-438082	Splash Cover (60 Quart) (Packaged).....	1
	00-438081	Splash Cover (40 Quart) (Packaged).....	1
	00-438824	Chute – Ingredient (Packaged).....	1
	00-874773	Arm – Scraper (ML-134340).....	1