



# CATALOG OF REPLACEMENT PARTS



## HL600CE/AUS SERIES LEGACY MIXERS

ML-141064	HL600AUS
ML-141065	HL600CE
ML-141066	HL600 (Mexico)
ML-141067	HL600CE
ML-141071	HL662CE

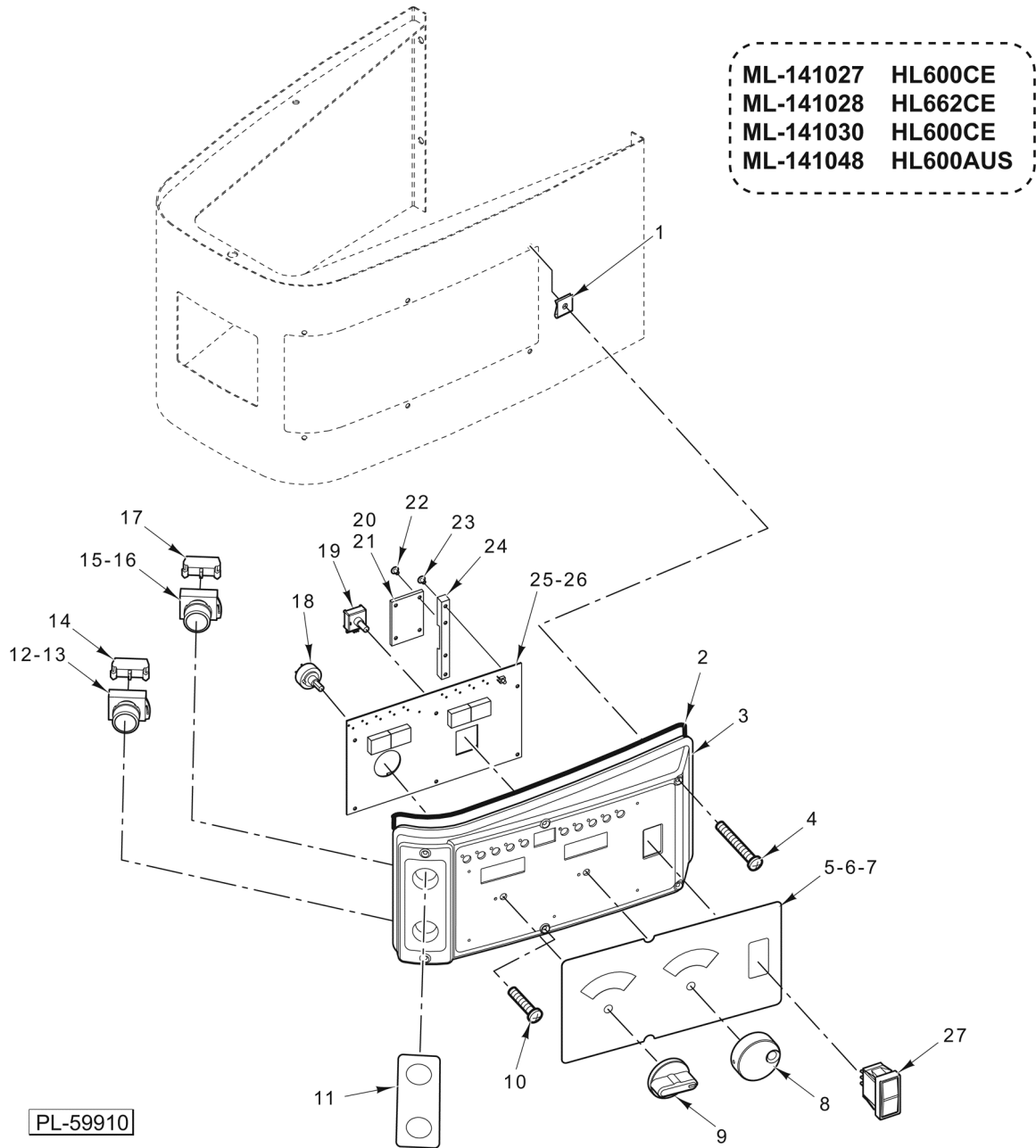
### PRIOR MLS COVERED IN THIS MANUAL

ML-141027	HL600CE
ML-141028	HL662CE
ML-141030	HL600CE
ML-141048	HL600AUS



### **Table of Contents**

5	CONTROL PANEL (PREVIOUS ML'S)
7	CONTROL PANEL (CURRENT ML'S)
9	WIRE SHIELD COMPONENTS (ALL EXCEPT ML-141066)
11	ELECTRICAL COMPONENTS (PREVIOUS ML'S)
13	ELECTRICAL COMPONENTS (CURRENT ML'S)
15	ATTACHMENT HUB
17	BASE AND PEDESTAL
19	BOWL SUPPORT
21	TRANSMISSION CASE AND MOTOR
23	TRANSMISSION
25	PLANETARY
27	BOWL GUARD
29	AGITATORS AND ACCESSORIES

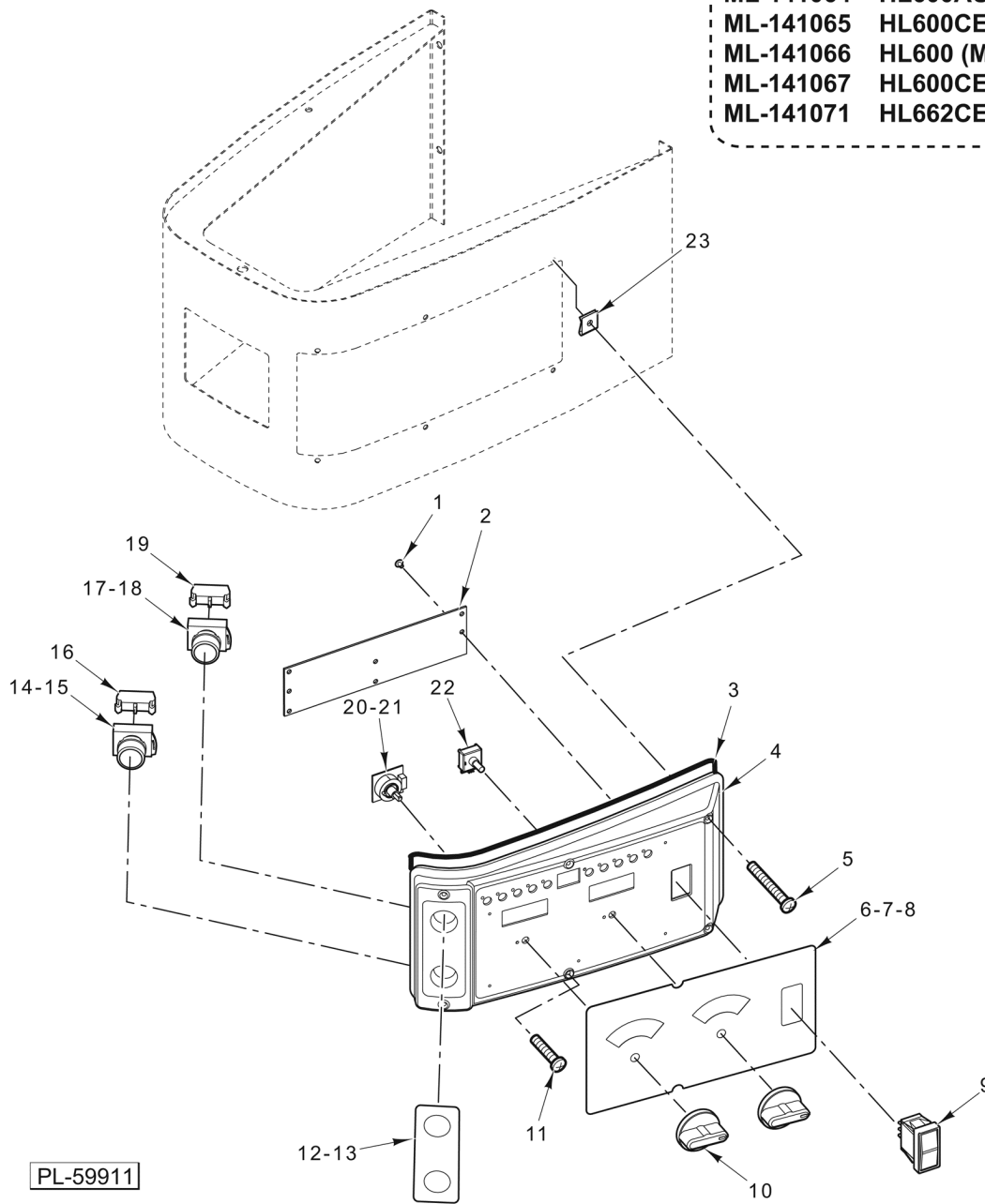


**CONTROL PANEL  
 (PREVIOUS ML'S)**

**CONTROL PANEL  
(PREVIOUS ML'S)**

ILLUS.	PART NO.	NAME OF PART	AMT.
PL-59910			
1	00-874338	Fastener - Self-Retaining.....	6
2	00-875814	Seal - Control Panel.....	1
3	00-917220	Panel - Control.....	1
4	SC-128-40	Mach. Screw 8-32 x 2-1/4 Phil. Oval Hd. (SST).....	2
5	00-916233	Label - Overlay (ML-141027 & ML-141030).....	1
6	00-916231	Overlay (HL600) (Standard Timer) (ML-141048).....	1
7	00-875962	Overlay (HL662) (ML-141028).....	1
8	00-875724	Knob - Timer.....	1
9	00-874630	Knob - Speed Selector.....	1
10	SC-128-39	Mach. Screw 8-32 x 1-1/2 Phil. Oval Hd. (SST).....	4
11	00-875963	Label (Mix/Stop).....	1
12	00-478752-00002	Switch - Operator (Stop).....	1
13	00-478751-00001	Cap - Round Push Button (Extended) (Stop).....	1
14	00-087711-322-4	Block - Contact (Stop).....	1
15	00-478752-00001	Switch - Operator (Start).....	1
16	00-478753-00001	Cap - Round Push Button (Flush) (Start).....	1
17	00-087711-322-3	Block - Contact (Start).....	1
18	00-874631	Potentiometer Assy. (Speed Selector).....	1
19	00-875723	Encoder Assy. (Time Selector).....	1
20	00-916063	Bumper.....	2
21	00-916818	Interface - Circuit Board Assy.....	1
22	SD-038-49	Self-Tapping Screw 6-32 x 1/2 Hex Washer Hd., Type RL.....	2
23	SD-039-23	Self-Tapping Screw 6-32 x 1/4 Hex Washer Hd., Type RL.....	5
24	00-916061	Block - Interface Mounting.....	1
25	00-916801	PCB Assy. (Standard Timer) (ML-141027 & ML-141030).....	1
26	00-916658	PCB Assy. (Standard Timer) (ML-141028 & ML-141048).....	1
27	00-087711-330-1	Switch - Rocker (Bowl Lift).....	1

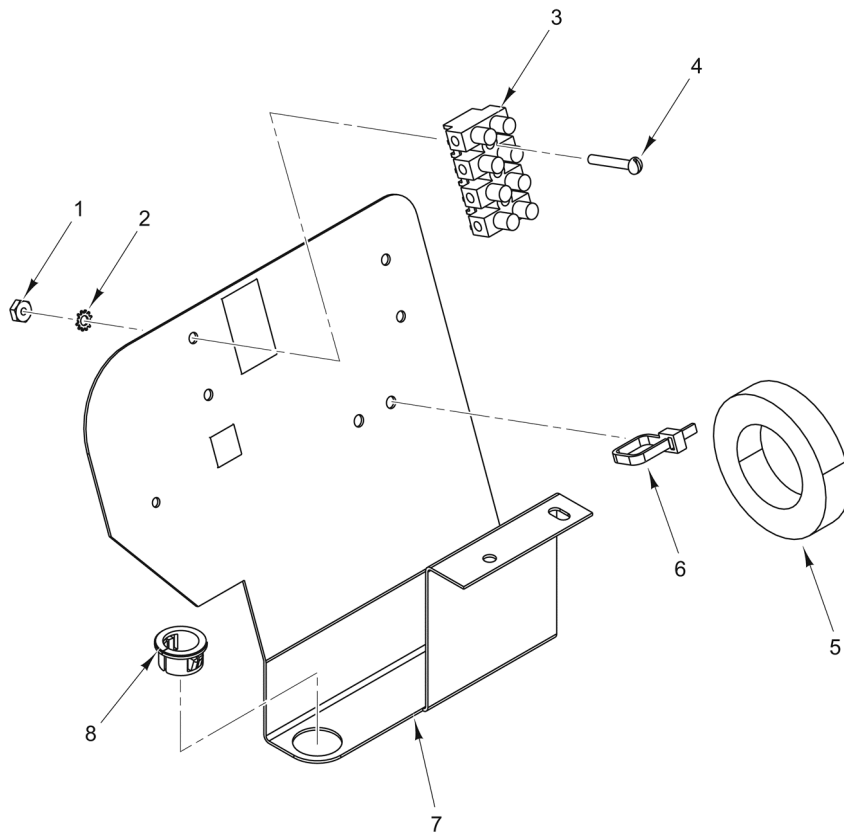
ML-141064	HL600AUS
ML-141065	HL600CE
ML-141066	HL600 (Mexico)
ML-141067	HL600CE
ML-141071	HL662CE



**CONTROL PANEL  
(CURRENT ML'S)**

**CONTROL PANEL  
(CURRENT ML'S)**

ILLUS.	PART NO.	NAME OF PART	AMT.
PL-59911			
1	SD-039-23	Self-Tapping Screw 6-32 x 1/4 Hex Washer Hd., Type RL.....	5
2	00-937277	PCB Assy. (Standard Timer).....	1
3	00-875814	Seal - Control Panel.....	1
4	00-917220	Panel - Control.....	1
5	SC-128-40	Mach. Screw 8-32 x 2-1/4 Phil. Oval Hd. (SST).....	2
6	00-916231	Overlay (HL600) (Standard Timer) (ML-141066).....	1
7	00-916233	Label - Overlay (ML-141064, ML-141065, & ML-141067).....	1
8	00-875962	Overlay (HL662) (ML-141071).....	1
9	00-087711-330-1	Switch - Rocker (Bowl Lift).....	1
10	00-937364	Knob.....	2
11	SC-128-39	Mach. Screw 8-32 x 1-1/2 Phil. Oval Hd. (SST).....	4
12	00-875963	Label (Mix/Stop) (All Except ML-141066).....	1
13	00-875451	Label (Mix/Stop) (ML-141066).....	1
14	00-478752-00002	Switch - Operator (Stop).....	1
15	00-478751-00001	Cap - Round Push Button (Extended) (Stop).....	1
16	00-087711-322-4	Block - Contact (Stop).....	1
17	00-478752-00001	Switch - Operator (Start).....	1
18	00-478753-00001	Cap - Round Push Button (Flush) (Start).....	1
19	00-087711-322-3	Block - Contact (Start).....	1
20	00-937371	PCB Assy. (Speed Select) (ML-141064, ML-141065, ML-141066, & ML-141067).....	1
21	00-937362	PCB Assy. (Speed Select) ( ML-141071).....	1
22	00-937361	Potentiometer (Timer).....	1
23	00-874338	Fastener - Self-Retaining.....	6



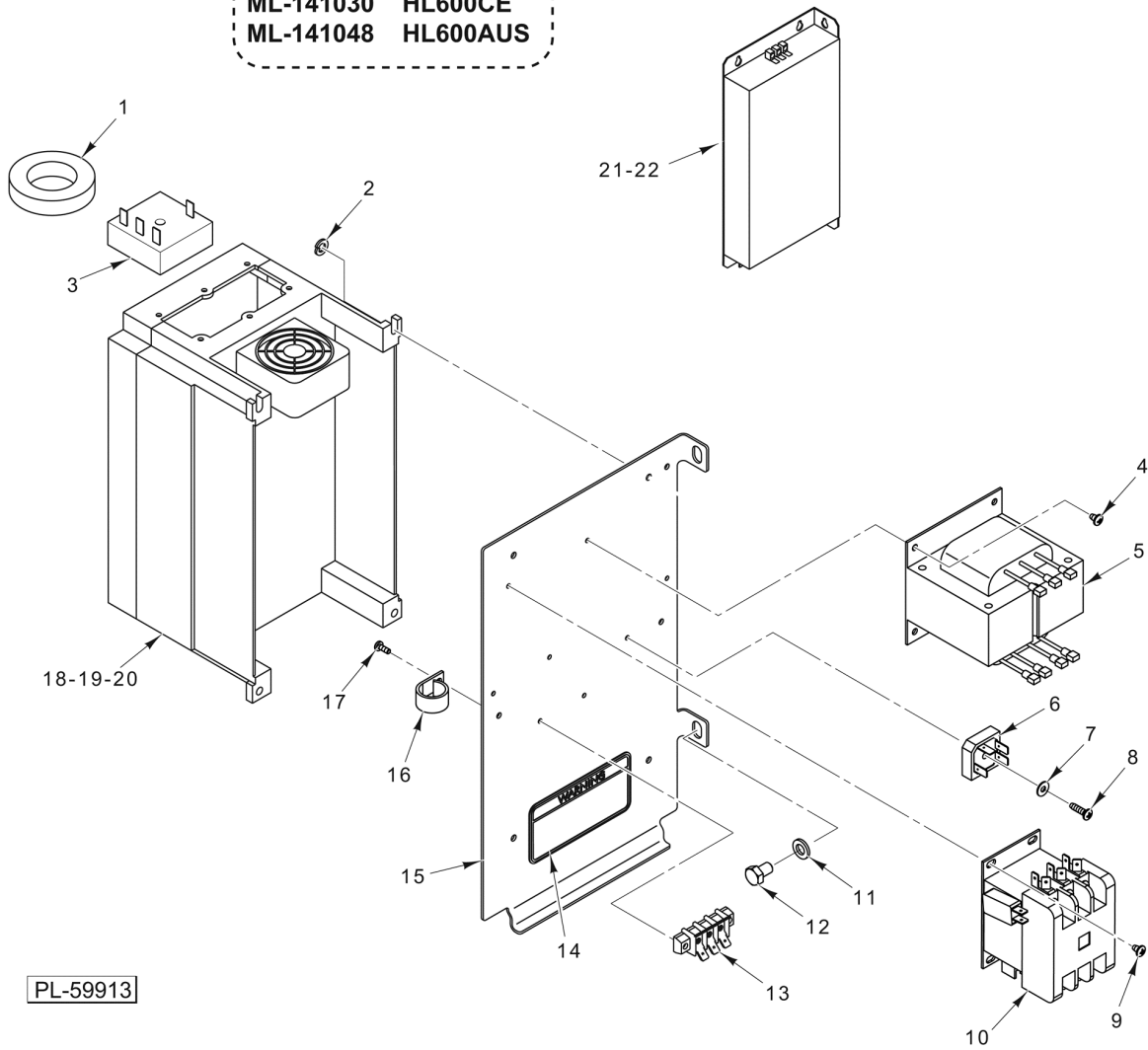
PL-59912

**WIRE SHIELD COMPONENTS  
(ALL EXCEPT ML-141066)**

**WIRE SHIELD COMPONENTS  
(ALL EXCEPT ML-141066)**

ILLUS.	PART NO.	NAME OF PART	AMT.
PL-59912			
1	NS-009-07	Nut 6-32 Hex.....	2
2	WL-014-03	Lockwasher #6 External (SST).....	2
3	00-477562-00002	Block - Terminal.....	1
4	SC-009-64	Mach. Screw 6-32 x 1 Slotted Rd. Hd.....	2
5	00-916185-00001	Ferrite.....	1
6	00-113703	Cable Tie.....	1
7	00-916173	Shield - Wire.....	1
8	FE-021-13	Bushing (Nylon) 1/2 I.D.....	1

ML-141027	HL600CE
ML-141028	HL662CE
ML-141030	HL600CE
ML-141048	HL600AUS



**ELECTRICAL COMPONENTS  
(PREVIOUS ML'S)**

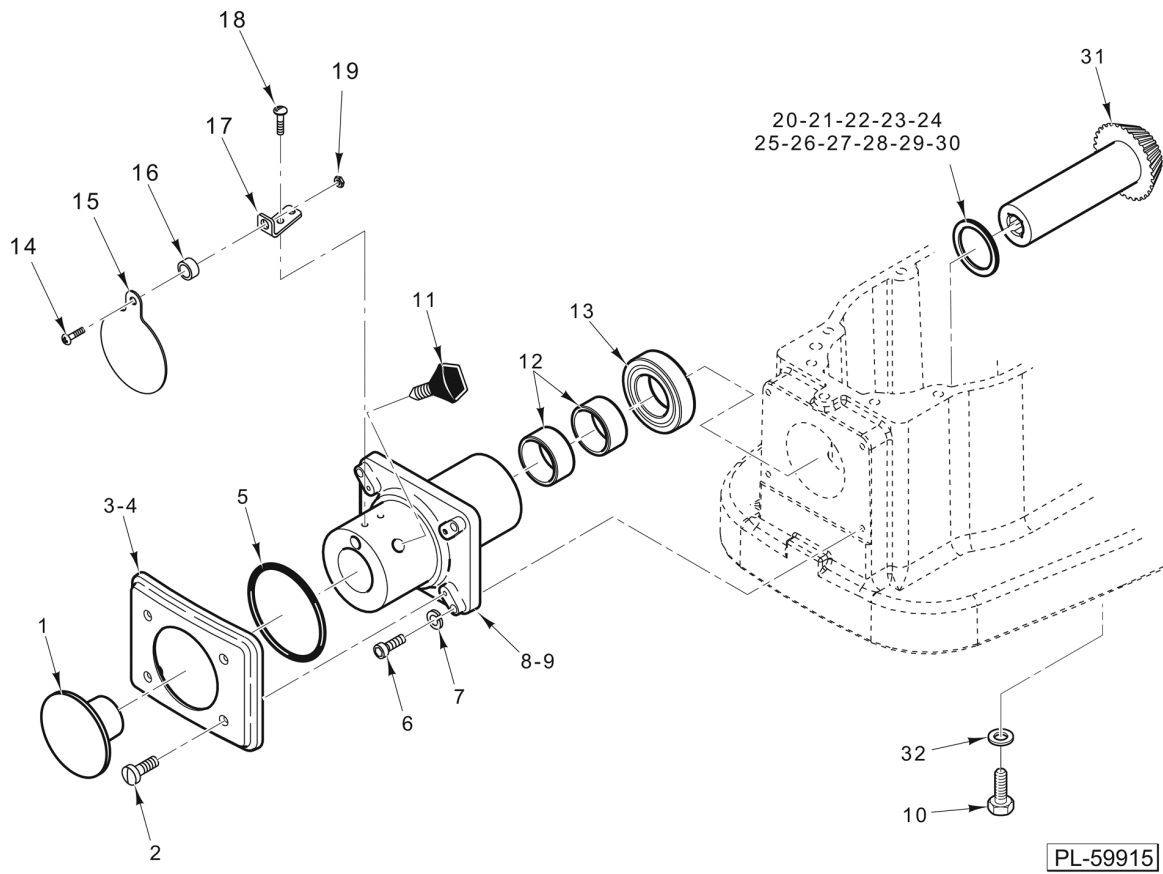
**ELECTRICAL COMPONENTS  
(PREVIOUS ML'S)**

ILLUS.	PART NO.	NAME OF PART	AMT.
PL-59913			
1	00-916185-00001	Ferrite.....	1
2	WL-007-12	Lockwasher #10 External Shakeproof.....	4
3	00-916642	Relay - Time Delay.....	1
4	SD-015-39	Self-Tapping Screw 8-32 x 1/4 Phil. Pan Hd., Type TT.....	2
5	00-294500-050-1	Transformer.....	1
6	00-042159	Rectifier - Bridge (100 V., 35 Amp.).....	1
7	WS-019-41	Washer (SST).....	1
8	SD-012-20	Self-Tapping Screw 8-32 x 1/2 Phil. Truss Hd., Type T.....	1
9	SD-015-39	Self-Tapping Screw 8-32 x 1/4 Phil. Pan Hd., Type TT.....	2
10	00-087713-107-5	Contact (30 Amp./Aux., 3 Ph.).....	1
11	WL-003-44	Lockwasher 5/16 Helical.....	2
12	SC-041-09	Cap Screw 5/16-18 x 1/2 Hex Hd. (SST).....	2
13	00-916269	Block - Terminal.....	1
14	00-438131-00180	Label - Warning.....	1
15	00-916576-00002	Bracket & Label Assy. (Incls. Item 14).....	1
16	00-294677-00002	Clamp - Wire (1/2 I.D.).....	2
17	SD-015-20	Self-Tapping Screw 10-32 x 3/8 Phil. Pan Hd., Type TT.....	2
18	00-937534-00003	Kit - Multi-Drive (Fuji) (200-240 V.) (ML-141030).....	1
19	00-937534-00004	Kit - Multi-Drive (Fuji) (380-460 V.) (ML-141027 & ML-141048).....	1
20	00-937534-00007	Kit - Multi-Drive (Fuji) (380-460 V.) (ML-141028).....	1
21	00-916327-00001	Filter - Powerline.....	1
22	00-916327-00002	Filter - Powerline.....	1



**ELECTRICAL COMPONENTS  
(CURRENT ML'S)**

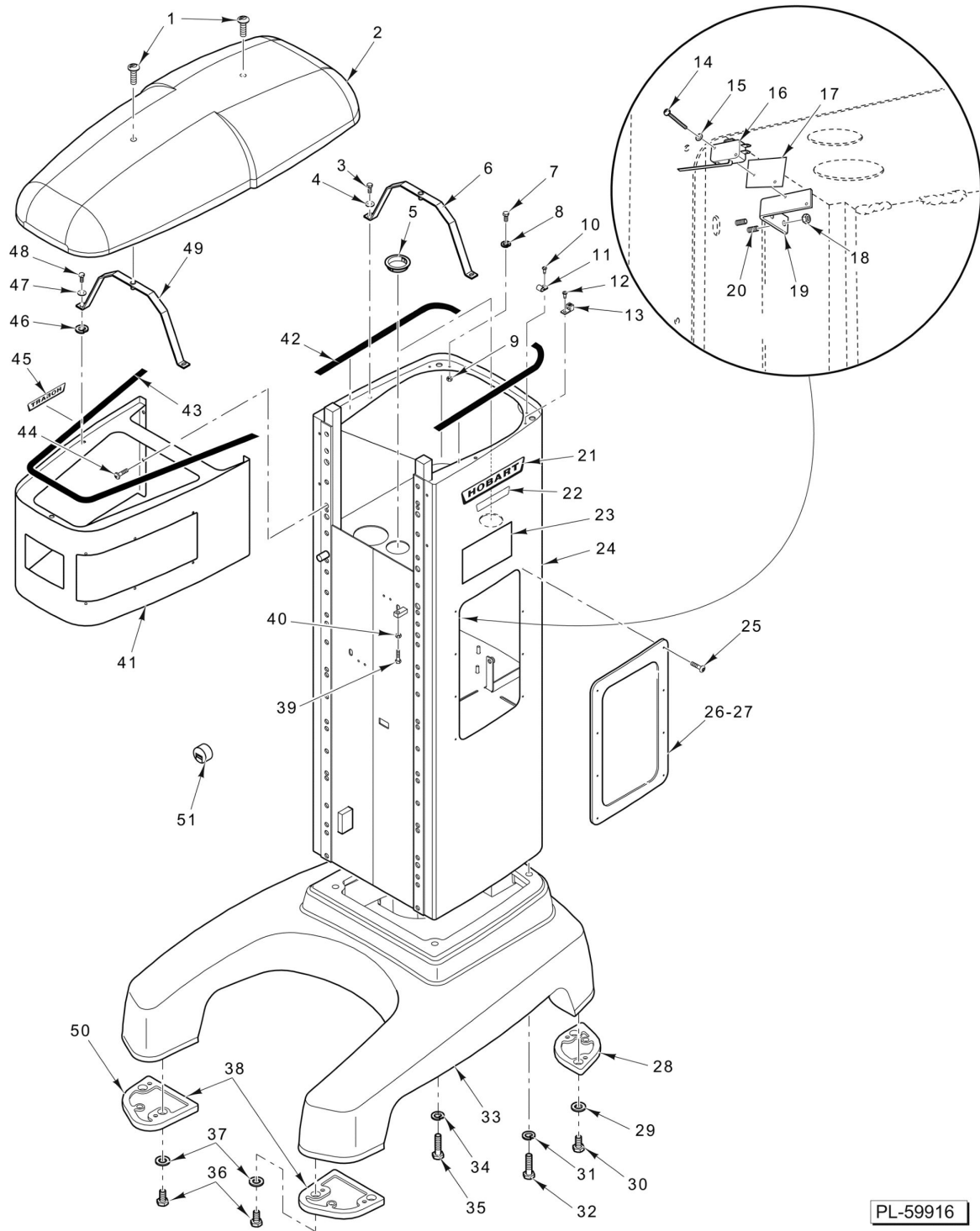
ILLUS.	PART NO.	NAME OF PART	AMT.
PL-59914			
1	WL-007-12	Lockwasher #10 External Shakeproof.....	4
2	00-916642	Relay - Time Delay (All Except ML-141066).....	1
3	SD-015-39	Self-Tapping Screw 8-32 x 1/4 Phil. Pan Hd., Type TT.....	2
4	00-294500-050-1	Transformer.....	1
5	00-042159	Rectifier - Bridge (100 V., 35 Amp.).....	1
6	WS-019-41	Washer (SST).....	1
7	SD-015-41	Self-Tapping Screw 8-32 x 1/2 Phil. Pan Hd., Type TT.....	1
8	SD-015-39	Self-Tapping Screw 8-32 x 1/4 Phil. Pan Hd., Type TT.....	2
9	00-087713-107-4	Contacto (30 Amp./Aux., 3 Ph.) (ML-141066).....	1
10	00-087713-107-5	Contacto (30 Amp./Aux., 3 Ph.) (All Except ML-141066).....	1
11	SD-015-41	Self-Tapping Screw 8-32 x 1/2 Phil. Pan Hd., Type TT.....	2
12	00-916269	Block - Terminal.....	1
13	SC-041-09	Cap Screw 5/16-18 x 1/2 Hex Hd. (SST).....	2
14	WL-003-44	Lockwasher 5/16 Helical.....	2
15	SD-015-37	Self-Tapping Screw 6-32 x 1/4 Phil. Pan Hd., Type TT.....	2
16	00-916904-002-1	Relay (1-Pole) (30 Amp.).....	1
17	00-937325-00001	Bracket & Label Assy. (Incls. Item 19) (ML-141066).....	1
18	00-937325-00002	Bracket & Label Assy. (Incls. Item 19) (All Except ML-141066).....	1
19	00-438131-00174	Label - Warning.....	1
20	00-294677-00002	Clamp - Wire (1/2 I.D.).....	2
21	SD-015-20	Self-Tapping Screw 10-32 x 3/8 Phil. Pan Hd., Type TT.....	2
22	00-937321-00001	Controller (200 V.) (ML-141065, ML-141066, & ML-141067).....	1
23	00-937321-00002	Controller (400 V.) (ML-141064 & ML-141065).....	1
24	00-937321-00004	Controller (400 V.) (ML-141028 & ML-141071).....	1
25	00-917330-00003	Resistor (200-230 V.) (ML-141065, ML-141066, & ML-141067).....	1
26	00-917330-00003	Resistor (400 V.) (ML-141064, ML-141065, & ML-141071).....	1
27	00-916633-00001	Filter Assy. (400 V.).....	1
28	00-916633-00002	Filter Assy. (200-230 V.).....	1
29	00-916185-00001	Ferrite.....	1
30	00-937433	Harness - Drive (ML-141066).....	1
31	00-937435	Harness - Drive (ML-141064, ML-141065, ML-141067, & ML-141071).....	1



### ATTACHMENT HUB

**ATTACHMENT HUB**

ILLUS.	PART NO.	NAME OF PART	AMT.
PL-59915			
1	00-917221	Plug - Attachment (All Except ML-141027 & ML-141030).....	1
2	SC-079-04	Mach. Screw 8-32 x 3/4 Phil. Oval Hd. (SST).....	4
3	00-917222	Panel - Front.....	1
4	00-875813	Seal - Front Cover.....	1
5	OR-001-09	O-Ring.....	1
6	SD-036-13	Self-Tapping Screw 1/4-20 x 1-1/4 Hex Washer Hd., Type T.....	4
7	WL-003-38	Lockwasher 1/4 Helical.....	4
8	00-874290-00005	Hub - Attachment (All Except ML-141027 & ML-141030).....	1
9	00-875984	Hub Attachment (ML-141027 & ML-141030).....	1
10	SC-041-42	Cap Screw 1/2-20 x 1 Hex Hd. (SST).....	1
11	00-108197-00001	Thumb Screw 1-1/4.....	1
12	BN-002-06	Bearing - Needle.....	2
13	BB-013-03	Ball Bearing - Nice #618.....	1
14	SC-093-23	Mach. Screw 10-24 x 3/8 Phil. Pan Hd. (ML-141027 & ML-141030).....	1
15	00-875989	Cover - Attachment Hub (ML-141027 & ML-141030).....	1
16	00-875991	Bushing - Cover Mounting (ML-141027 & ML-141030).....	1
17	00-875988	Bracket - Cover Mounting (ML-141027 & ML-141030).....	1
18	SC-093-23	Mach. Screw 10-24 x 3/8 Phil. Pan Hd. (ML-141027 & ML-141030).....	2
19	NS-046-28	Stop Nut - Special 10-24 High Crown (SST) (ML-141027 & ML-141030).....	1
20	00-061920-00001	Washer - Thrust (0.076 Thk.).....	AR
21	00-061920-00002	Washer - Thrust (0.079 Thk.).....	AR
22	00-061920-00003	Washer - Thrust (0.082 Thk.).....	AR
23	00-061920-00004	Washer - Thrust (0.085 Thk.).....	AR
24	00-061920-00005	Washer - Thrust (0.088 Thk.).....	AR
25	00-061920-00006	Washer - Thrust (0.091 Thk.).....	AR
26	00-061920-00007	Washer - Thrust (0.094 Thk.).....	AR
27	00-061920-00008	Washer - Thrust (0.097 Thk.).....	AR
28	00-061920-00009	Washer - Thrust (0.100 Thk.).....	AR
29	00-061920-00010	Washer - Thrust (0.103 Thk.).....	AR
30	00-061920-00011	Washer - Thrust (0.106 Thk.).....	AR
31	00-874277	Pinion - Bevel (24T).....	1
32	WS-021-21	Washer.....	1

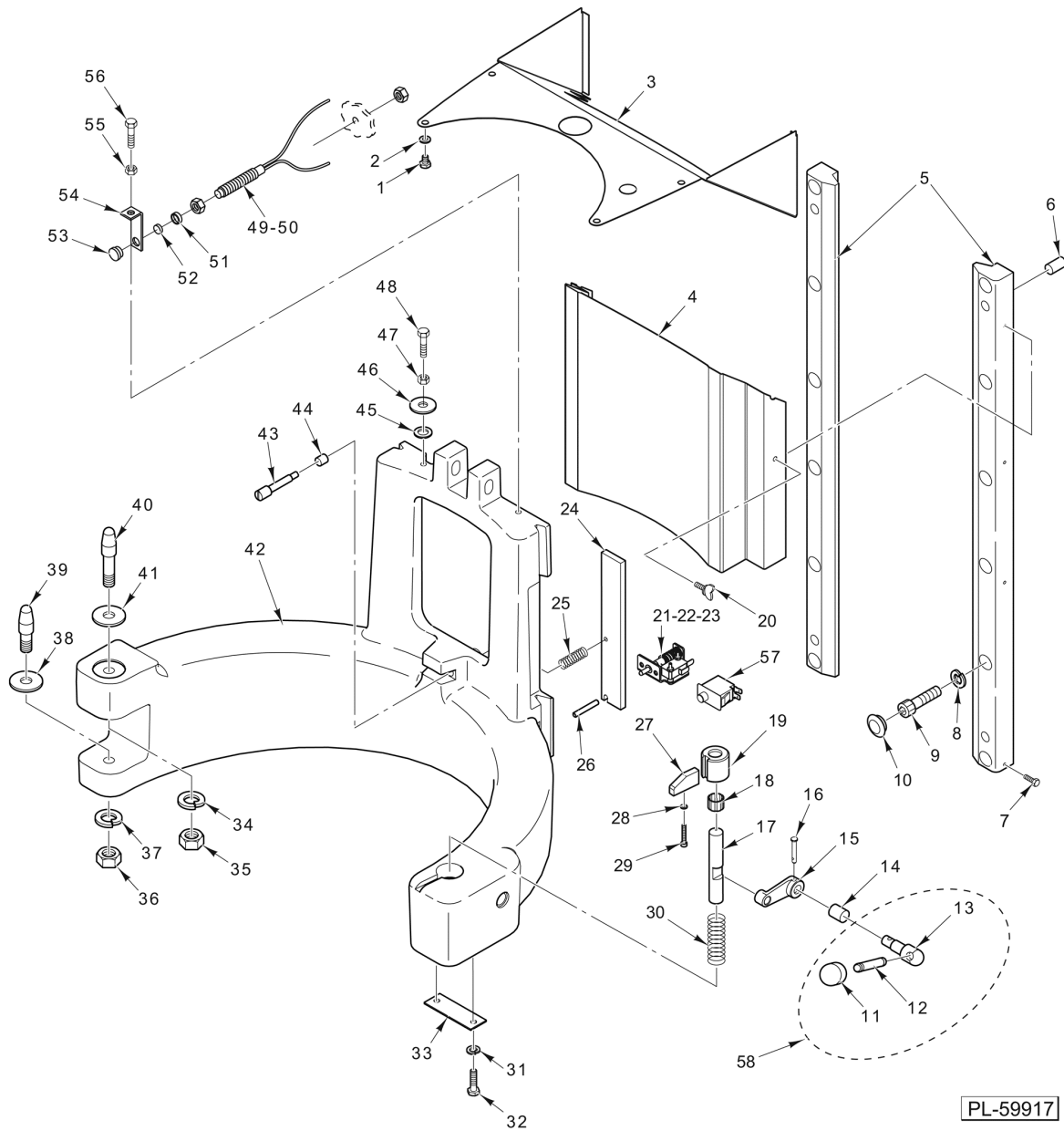


PL-59916

**BASE AND PEDESTAL**

## BASE AND PEDESTAL

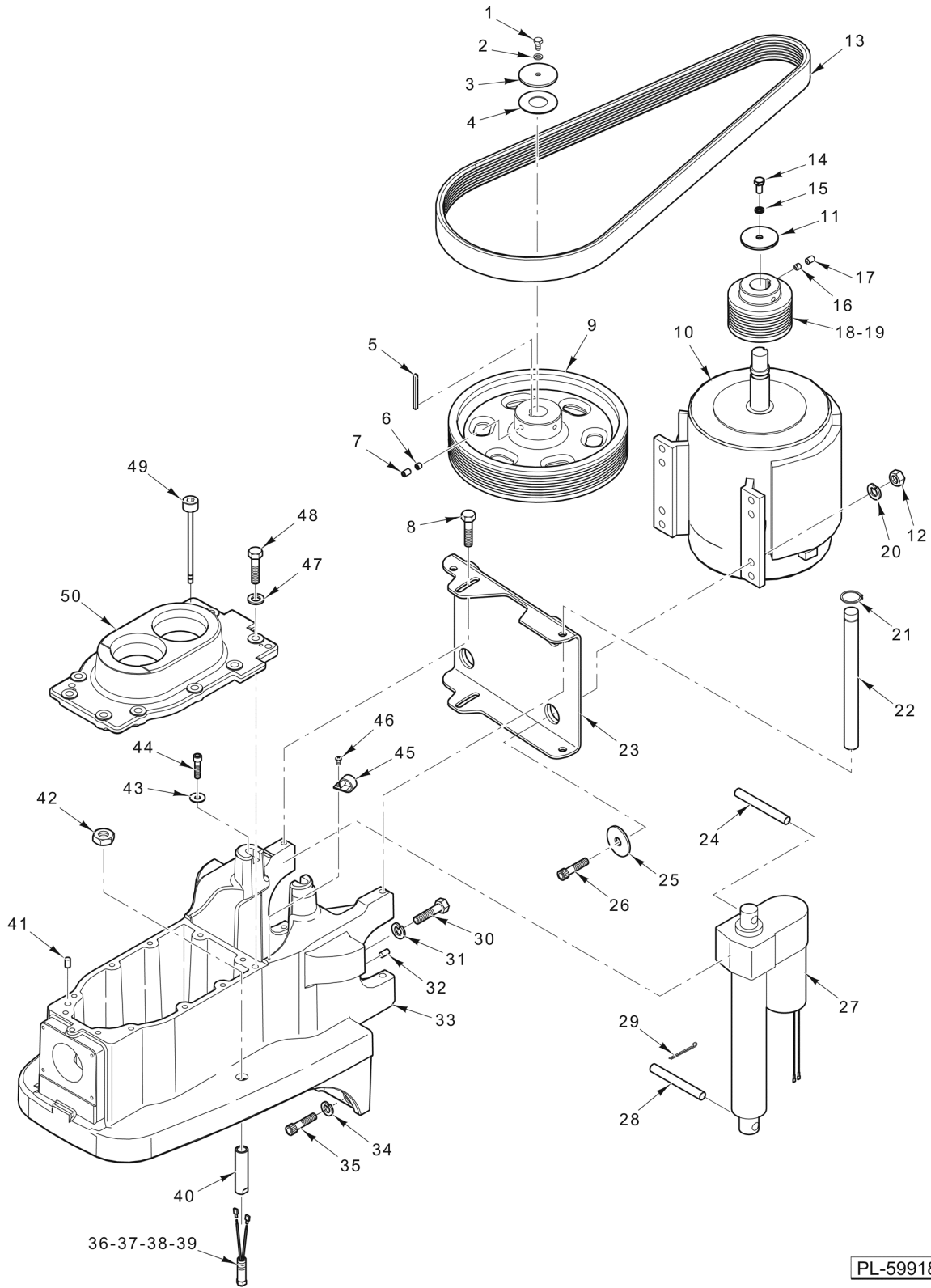
ILLUS.	PART NO.	NAME OF PART	AMT.
PL-59916			
1	SC-120-30	Mach. Screw 1/4-20 x 2 Phil. Oval Hd.....	2
2	00-917437	Cover - Top.....	1
3	SC-036-06	Cap Screw 1/4-20 x 1 Hex Hd.....	2
4	WS-003-43	Washer.....	2
5	FE-026-28	Bushing - Electric Snap.....	2
6	00-874222	Rear Strap Assy. - Rear.....	1
7	SC-113-96	Mach. Screw 8-32 x 1/2 Slotted Hex Washer Hd.....	1
8	WL-008-07	Lockwasher #8 Internal Shakeproof.....	2
9	NS-009-12	Nut 8-32 Hex.....	2
10	SD-029-02	Self-Tapping Screw 10-24 x 1/2 Slotted Pan Hd., Type F.....	1
11	00-078752-00003	Clamp - Cable.....	1
12	SD-029-02	Self-Tapping Screw 10-24 x 1/2 Slotted Pan Hd., Type F.....	1
13	00-118544-00001	Lug - Solderless (ML-141066).....	1
14	SC-060-40	Mach. Screw 4-40 x 5/8 Slotted Rd. Hd.....	4
15	WL-003-03	Lockwasher #4 Helical.....	4
16	00-087711-00248	Switch - Bowl Height.....	2
17	00-439892	Insulator - Switch.....	2
18	NS-009-30	Nut 10-32 Hex.....	4
19	00-874109	Bracket - Bowl Travel Switch.....	2
20	00-113631-00040	Stud - Self-Clinching.....	4
21	00-874401	Logo - Hobart.....	1
22	00-874379	Label - Legacy.....	1
23	00-874605	Label - Timer Instructions.....	1
24	00-873894-00005	Pedestal Assy.....	1
25	SD-009-41	Self-Tapping Screw 8-32 x 3/8 Phil. Pan Hd., Type F (SST).....	8
26	00-874238-00001	Cover - Side (Incls. Gasket) (Incls. Item 27).....	1
27	00-875815	Seal - Side Panel.....	2
28	00-874585	Foot - Rear.....	2
29	WS-006-36	Washer.....	4
30	SC-110-03	Cap Screw 3/8-16 x 3/4 Hex Socket Hd.....	4
31	WL-004-11	Lockwasher 1/2 Helical.....	2
32	SC-062-83	Cap Screw 1/2-13 x 1-1/2 Hex Hd.....	2
33	00-873950-002-1	Base.....	1
34	WL-004-11	Lockwasher 1/2 Helical.....	6
35	SC-128-47	Cap Screw 1/2-13 x 3 Hex Hd.....	6
36	SC-110-03	Cap Screw 3/8-16 x 3/4 Hex Socket Hd.....	4
37	WS-006-36	Washer.....	4
38	00-874152	Foot - Front.....	2
39	SC-041-13	Cap Screw 5/16-18 x 1 Hex Hd. (SST).....	1
40	NS-013-14	Nut 5/16-18 Hex.....	1
41	00-916196	Wrapper Assy. (Transmission).....	1
42	00-874512-00001	Seal - Top Cover (Rear).....	2
43	00-874512-00002	Seal - Top Cover.....	1
44	SD-039-06	Self-Tapping Screw 1/4-20 x 3/4 Hex Washer Hd., Type F.....	4
45	00-118365	Logo.....	1
46	WL-003-38	Lockwasher 1/4 Helical.....	1
47	WS-003-43	Washer.....	2
48	SC-036-06	Cap Screw 1/4-20 x 1 Hex Hd.....	2
49	00-874223	Strap Assy. - Front.....	1
50	00-874604	Kit - Rubber Foot (Incls. Items 28, 29, 30, 36, 37, & 38).....	1
51	FE-026-44	Relief - Electrical Strain.....	1



**BOWL SUPPORT**

## BOWL SUPPORT

ILLUS.	PART NO.	NAME OF PART	AMT.
PL-59917			
1	SC-062-20	Cap Screw 1/4-20 x 3/8 Hex Hd.....	4
2	WL-003-38	Lockwasher 1/4 Helical.....	4
3	00-916378	Cover - Upper Apron.....	1
4	00-916379	Apron - Lower.....	1
5	00-873885	Slideway.....	2
6	00-011800-00264	Dowel.....	2
7	SC-128-95	Mach. Screw 10-24 x 1/4 Phil. Rd. Hd.....	AR
8	WL-004-02	Lockwasher 3/8 Helical.....	12
9	SC-092-62	Cap Screw 3/8-16 x 1-1/2 Socket Fil. Hd.....	12
10	PB-004-90	Cap.....	12
11	00-875356	Handle - Lift Lever.....	1
12	00-874197	Shaft - Bowl Pin Handle.....	1
13	00-874220	Handle - Bowl Pin.....	1
14	00-874138	Bushing - Bowl Pin Cam.....	1
15	00-874218	Clevis - Bowl Lock.....	1
16	00-874388	Detent - Clevis Pin.....	1
17	00-874219	Pin - Bowl (RH).....	1
18	00-874499	Bushing - Bowl Lock Pin.....	2
19	00-874506	Button - Rest Bowl.....	1
20	00-070641-00009	Thumb Screw.....	2
21	00-874903	Switch Assy. (All Except ML-141066).....	1
22	00-874893	Retainer.....	1
23	SC-010-11	Mach. Screw 8-32 x 3/8 Slotted Truss Hd.....	2
24	00-874464	Plate - Push.....	1
25	00-874496	Spring - Pushplate.....	1
26	RP-005-12	Roll Pin 0.187 x 1.250 Lg.....	1
27	00-874113	Ramp - Wear.....	1
28	WL-003-12	Lockwasher #8 Helical.....	1
29	SC-040-92	Cap Screw 8-32 x 1 Hex Socket Hd.....	1
30	00-874198	Spring - Bowl Pin.....	1
31	WL-003-38	Lockwasher 1/4 Helical.....	2
32	SC-036-14	Cap Screw 1/4-20 x 1/2 Hex Hd.....	2
33	00-874199	Strap - Spring Retaining.....	1
34	WL-004-12	Lockwasher 1/2 Helical.....	1
35	NS-013-30	Nut 1/2-13 Hex.....	1
36	NS-013-30	Nut 1/2-13 Hex.....	1
37	WL-004-12	Lockwasher 1/2 Helical.....	1
38	00-874084	Bushing - Bowl Support.....	1
39	00-873846	Pin - Bowl.....	1
40	00-873845	Pin - Bowl.....	1
41	00-874084	Bushing - Bowl Support.....	1
42	00-873844-00003	Yoke.....	1
43	00-874458	Plunger - Bowl-In.....	1
44	00-874492	Bushing - Bowl-In.....	1
45	WS-006-36	Washer.....	3
46	WS-005-33	Washer (SST).....	1
47	NS-013-14	Nut 5/16-18 Hex.....	1
48	SC-041-13	Cap Screw 5/16-18 x 1 Hex Hd. (SST).....	1
49	00-874929	Switch - Reed (All Except ML-141066).....	1
50	00-087711-00352	Switch - Reed (ML-141066).....	1
51	00-917357	Holder - Magnet (Upper).....	1
52	00-874875	Magnet - Disc.....	1
53	00-917358	Holder - Magnet (Lower).....	1
54	00-916079	Bracket - Magnet.....	1
55	NS-013-14	Nut 5/16-18 Hex.....	1
56	SC-041-13	Cap Screw 5/16-18 x 1 Hex Hd. (SST).....	1
57	00-087711-00338	Switch - Panel Front (ML-141066).....	1
58	00-874139	Handle Assy. - Bowl Lock (Incls. Items 11, 12, & 13).....	1

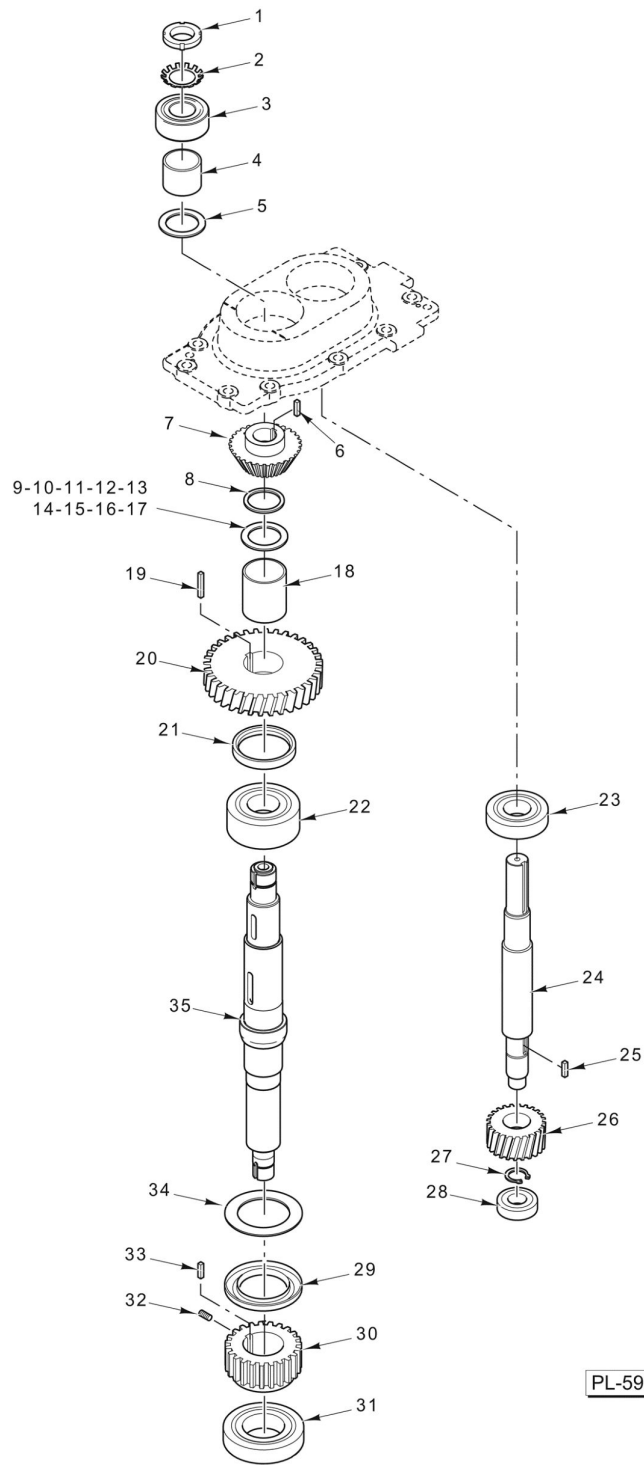


PL-59918

**TRANSMISSION CASE AND MOTOR**

## TRANSMISSION CASE AND MOTOR

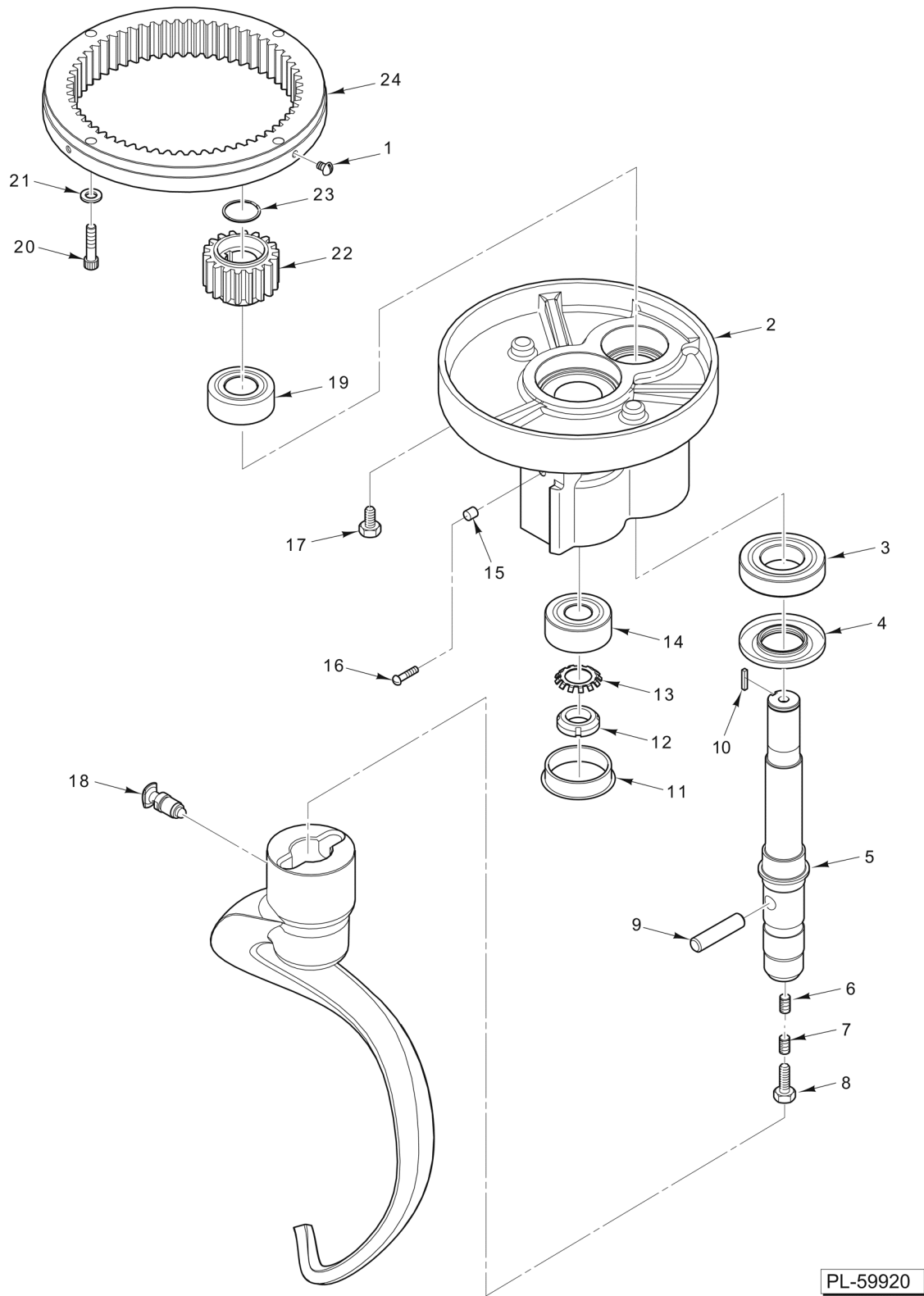
ILLUS.	PART NO.	NAME OF PART	AMT.
1	SC-118-19	Cap Screw 1/4-20 x 3/4 Hex Hd.....	1
2	WL-003-38	Lockwasher 1/4 Helical.....	1
3	00-874345-00003	Washer - Special.....	1
4	00-874345-00004	Washer - Special.....	1
5	00-012430-00177	Key 1/4 x 1/4 x 2-1/2.....	1
6	SC-047-31	Set Screw 5/16-18 x 5/16 Hex Hdls., Cup Pt.....	2
7	SC-047-34	Set Screw 5/16-18 x 1/2 Hex Hdls., Cup Pt.....	2
8	SC-123-50	Cap Screw 3/8-16 x 1 Hex Washer Hd.....	2
9	00-874000	Sheave - Driven.....	1
10	00-917676	Motor - 3 Hp.....	1
11	00-874345-00006	Washer (Special).....	1
12	NS-013-22	Nut 3/8-16 Hex.....	4
13	00-873921-00002	Belt.....	1
14	SC-118-69	Cap Screw M8 x 1.25 x 16mm Socket Fil. Hd.....	1
15	WL-020-13	Lockwasher M8 Helical.....	1
16	SC-047-31	Set Screw 5/16-18 x 5/16 Hex Hdls., Cup Pt.....	2
17	SC-047-34	Set Screw 5/16-18 x 1/2 Hex Hdls., Cup Pt.....	2
18	00-873999	Sheave - Drive.....	1
19	00-012430-00163	Key 1/4 x 1/4 x 1-3/4.....	1
20	WL-004-06	Lockwasher 3/8 Helical.....	4
21	RR-004-19	Retaining Ring.....	2
22	00-874241	Pin - Pivot Motor Bracket.....	1
23	00-916331	Plate - Mounting.....	1
24	00-874315	Pin - Actuator (Upper).....	1
25	WS-006-36	Washer.....	4
26	SC-040-23	Cap Screw 3/8-16 x 1-1/4 Socket Fil. Hd.....	4
27	00-874057	Actuator (Bowl Lift).....	1
28	00-874117	Pin - Clevis.....	1
29	PC-003-50	Cotter Pin 7/64 x 1 Lg.....	1
30	SC-062-67	Cap Screw 1/2-13 x 2-1/4 Hex Hd.....	2
31	WL-004-11	Lockwasher 1/2 Helical.....	2
32	00-011800-00221	Dowel.....	2
33	00-873996-00003	Case - Transmission.....	1
34	WL-004-11	Lockwasher 1/2 Helical.....	2
35	SC-040-36	Cap Screw 1/2-13 x 1-3/4 Socket Fil. Hd.....	2
36	00-874958-00001	Reed - Switch & Plug (ML-141048).....	1
37	00-874958-00005	Switch - Reed (ML-141064, ML-141065, ML-141067, & ML-141071).....	1
38	00-874958-00004	Switch - Reed & Extension (ML-141066).....	1
39	00-874929-00002	Switch - Reed-Fused Assy. (ML-141027, ML-141028, & ML-141030).....	1
40	00-874128	Extension - Bowl Guard Switch (Bowl Guard).....	1
41	00-011800-00224	Dowel.....	2
42	NS-017-46	Jam Nut 3/4-10 Hex.....	1
43	WS-006-36	Washer.....	2
44	SC-040-16	Cap Screw 5/16-18 x 1 Socket Fil. Hd.....	2
45	00-294677-00003	Clamp - Wire (3/4 I.D.).....	1
46	SC-018-62	Mach. Screw 10-24 x 3/8 Phil. Pan Hd.....	1
47	WL-004-04	Lockwasher 3/8 Helical.....	10
48	SC-062-48	Cap Screw 3/8-16 x 1-1/8 Hex Hd.....	10
49	00-874131	Dipstick.....	1
50	00-873916-00002	Cover - Transmission.....	1



**TRANSMISSION**

## TRANSMISSION

ILLUS. PL-59919	PART NO.	NAME OF PART	AMT.
1	NS-034-07	Lock Nut N.D. #N-06.....	1
2	WL-017-07	Lockwasher - Bearing Lock Nut.....	1
3	BB-021-35	Ball Bearing.....	1
4	00-874293	Spacer (1.505 I.D.).....	1
5	00-874283-00002	Shim - Gear (0.072 Thk.).....	AR
6	00-875419-00071	Key 5/16 x 5/16 x 1-5/8.....	1
7	00-874282	Gear - Bevel (30T).....	1
8	00-874384	Spacer - Gear.....	1
9	00-874283-00001	Shim - Gear (0.066 Thk.).....	AR
10	00-874283-00002	Shim - Gear (0.072 Thk.).....	AR
11	00-874283-00003	Shim - Gear (0.078 Thk.).....	AR
12	00-874283-00004	Shim - Gear (0.084 Thk.).....	AR
13	00-874283-00005	Shim - Gear (0.090 Thk.).....	AR
14	00-874283-00006	Shim - Gear (0.096 Thk.).....	AR
15	00-874283-00007	Shim - Gear (0.102 Thk.).....	AR
16	00-874283-00008	Shim - Gear (0.108 Thk.).....	AR
17	00-874283-00009	Shim - Gear (0.116 Thk.).....	AR
18	00-874294	Spacer (1.755 I.D.).....	1
19	00-875419-00075	Key 5/16 x 5/16 x 1-1/16.....	1
20	00-873914	Gear - Drive.....	1
21	00-873922	Spacer - Planetary Shaft.....	1
22	BB-009-30	Ball Bearing - SKF #5209.....	1
23	BB-006-36	Ball Bearing.....	1
24	00-873913	Shaft - Input.....	1
25	00-012430-00048	Key 3/16 Sq. x 3/4 Lg.....	1
26	00-873915	Gear - Pinion.....	1
27	RR-009-07	Retaining Ring.....	1
28	BB-007-14	Ball Bearing - MRC #204S.....	1
29	00-873939	Seal.....	1
30	00-873912	Gear - Sun.....	1
31	BB-007-01	Ball Bearing - SKF #6208Z.....	1
32	SC-047-12	Set Screw 1/4-20 x 3/8 Socket Hlds., Knife Cup Pt.....	1
33	00-875419-00075	Key 5/16 x 5/16 x 1-1/16.....	1
34	00-875909	Spacer.....	1
35	00-875915	Shaft - Planetary.....	1

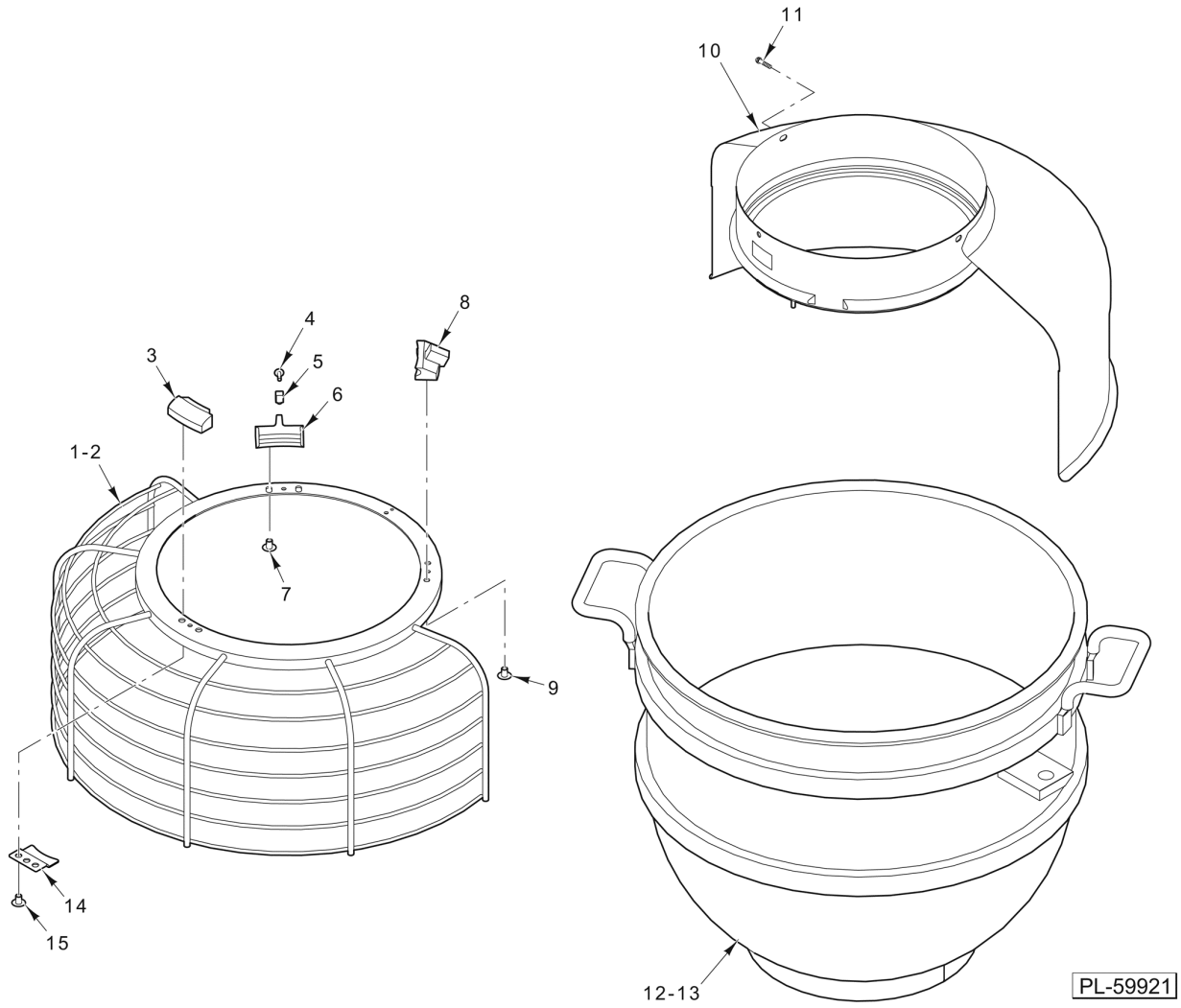


PL-59920

**PLANETARY**

**PLANETARY**

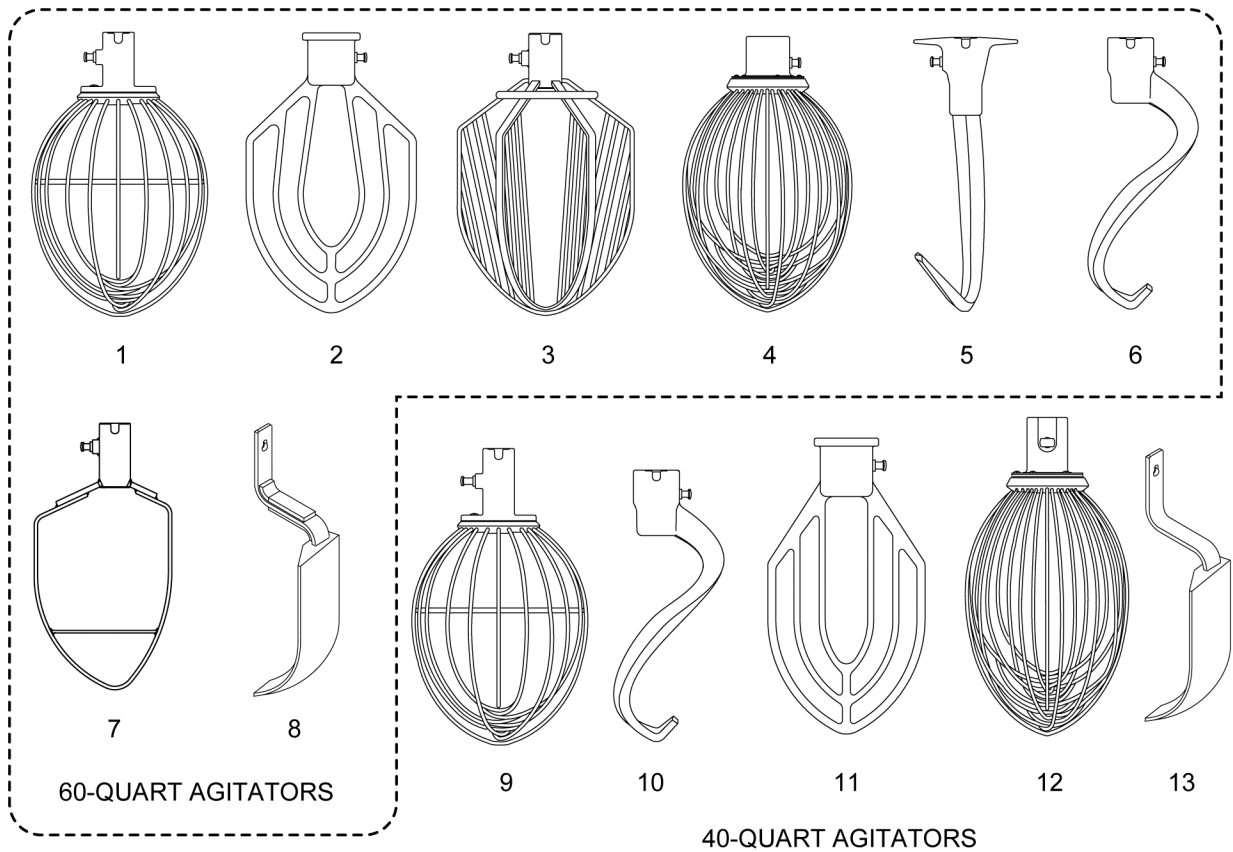
ILLUS.	PART NO.	NAME OF PART	AMT.
PL-59920			
1	SC-021-37	Mach. Screw 1/4-20 x 3/8 Slotted Rd. Hd. (SST).....	3
2	00-873995-00002	Planetary.....	1
3	BB-007-01	Ball Bearing - SKF #6208Z.....	1
4	00-292288	Seal.....	1
5	00-873923	Shaft - Agitator.....	1
6	00-007744	Set Screw Hdls., Cone Pt.....	1
7	SC-047-41	Set Screw 3/8-16 x 3/8 Hex Hdls., Cup Pt.....	1
8	00-064723	Plug - Agitator Shaft.....	1
9	00-873953	Pin - Agitator Shaft.....	1
10	00-012430-00154	Key 1/4 x 1/4 x 1-3/8.....	1
11	00-874291	Plug - Planetary (Plastic).....	1
12	NS-034-06	Lock Nut Brg N.D. N-05.....	1
13	WL-012-06	Lockwasher N.D. #W-05.....	1
14	BB-021-52	Ball Bearing.....	1
15	00-874181	Spacer - Scraper Arm.....	1
16	SC-021-54	Mach. Screw 5/16-18 x 7/8 Slotted Rd. Hd. (SST).....	1
17	SC-041-26	Cap Screw 3/8-16 x 1/2 Hex Hd. (SST).....	2
18	00-874145	Plunger Assy.....	1
19	BB-021-35	Ball Bearing.....	1
20	SC-040-23	Cap Screw 3/8-16 x 1-1/4 Socket Fil. Hd.....	4
21	WL-019-92	Lockwasher 3/8 Helical.....	4
22	00-024270	Pinion - Internal (18T).....	1
23	RR-005-08	Retaining Ring.....	1
24	00-437692	Gear - Internal.....	1



### BOWL GUARD

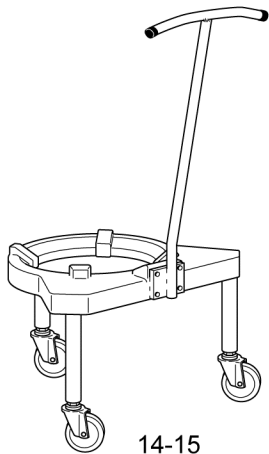
**BOWL GUARD**

ILLUS.	PART NO.	NAME OF PART	AMT.
PL-59921			
1	00-916004	Wire Cage Assy. (Incls. Items 3 thru 9, 14, & 15) (All Except ML-141048 & ML-141064)	1
2	00-875885	Wire Cage Assy. (Incls. Items 3 thru 9, 14, & 15) (ML-141048 & ML-141064)	1
3	00-874126	Shoe - Front	1
4	SC-123-07	Mach. Screw 8-32 x 1/2 Slotted Truss Hd.	1
5	00-437720	Key - Shoe	1
6	00-437433-00003	Shoe - Adjustable	1
7	SC-122-45	Mach. Screw 1/4-20 x 3/8 Slotted Truss Hd.	2
8	00-874127	Shoe - Fixed	1
9	SC-122-45	Mach. Screw 1/4-20 x 3/8 Slotted Truss Hd.	2
10	00-874123	Guard - Splash & Drip	1
11	SC-021-37	Mach. Screw 1/4-20 x 3/8 Slotted Rd. Hd. (SST)	3
12	00-875603	Bowl Assy. (60 Quart) (Packaged)	1
13	00-875604	Bowl Assy. (40 Quart) (Packaged) (Not Shown)	1
14	00-874168	Stop - Cage	1
15	SC-122-45	Mach. Screw 1/4-20 x 3/8 Slotted Truss Hd.	2



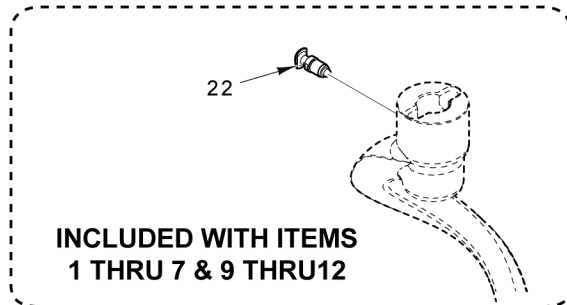
60-QUART AGITATORS

40-QUART AGITATORS



14-15

BOWL TRUCK



**INCLUDED WITH ITEMS  
1 THRU 7 & 9 THRU 12**

- 16 00-438104-00004 Bowl Extension Assy. (60 Quart) (Packaged)
- 17 00-438082 Splash Cover (60 Quart) (Packaged)
- 18 00-438081 Splash Cover (40 Quart) (Packaged)
- 19 00-438824 Ingredient Chute (Packaged)
- 20 00-435637-00001 Scraper - Bowl (60 Quart)
- 21 00-435637-00004 Scraper - Bowl (40 Quart)

**PARTS NOT ILLUSTRATED**

PL-59922

**AGITATORS AND ACCESSORIES**

**AGITATORS AND ACCESSORIES**

ILLUS.	PART NO.	NAME OF PART	AMT.
1	00-874271	"I" Wire Whip (60 Quart) (Packaged) (Incls. Item 22).....	1
2	00-874172	"B" Flat Beater (60 Quart) (Packaged) (Incls. Item 22).....	1
3	00-874278	"C" Six Wing Whip (60 Quart) (Packaged) (Incls. Item 22).....	1
4	00-874190	"D" Wire Whip (60 Quart) (Packaged) (Incls. Item 22).....	1
5	00-874284	"E" Dough Arm (60 Quart) (Packaged) (Incls. Item 22).....	1
6	00-874285	"ED" Dough Arm (60 Quart) (Packaged) (Incls. Item 22).....	1
7	00-874286	"P" Pastry Knife (60 Quart) (Packaged) (Incls. Item 22).....	1
8	00-874267	Bowl Scraper (60 Quart) (Packaged).....	1
9	00-874250	"I" Wire Whip (40 Quart) (Packaged) (Incls. Item 22).....	1
10	00-874292	"ED" Dough Arm (40 Quart) (Packaged) (Incls. Item 22).....	1
11	00-874248	"B" Flat Beater (40 Quart) (Packaged) (Incls. Item 22).....	1
12	00-874249	"D" Wire Whip (40 Quart) (Packaged) (Incls. Item 22).....	1
13	00-874268	Bowl Scraper (40 Quart) (Packaged).....	1
14	00-874203	Bowl Truck (Packaged).....	1
15	00-874288	Caster (4 In.).....	AR
16	00-438104-00004	Bowl Extension Assy. (60 Quart) (Packaged).....	1
17	00-438082	Splash Cover (60 Quart) (Packaged).....	1
18	00-438081	Splash Cover (40 Quart) (Packaged).....	1
19	00-438824	Ingredient Chute (Packaged).....	1
20	00-435637-00001	Scraper - Bowl (60 Qt.).....	1
21	00-435637-00004	Scraper - Bowl (40 Qt.).....	1
22	00-874145	Plunger Assy.....	AR

