



CATALOG OF REPLACEMENT PARTS

LEGACY MIXER



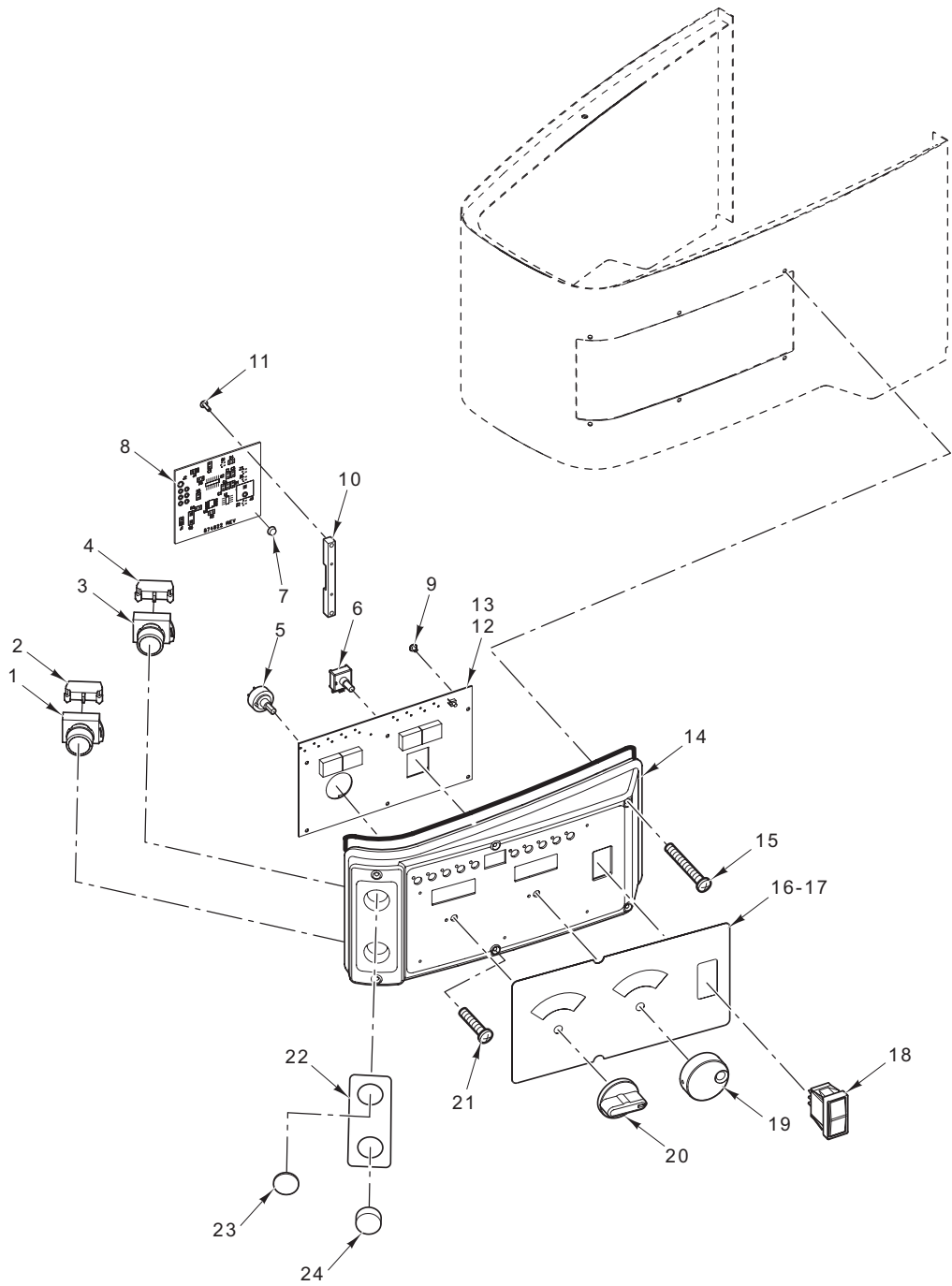
HL800CE	ML-134356
HL800AUS	ML-134357
HL1400CE	ML-134335
HL1400AUS	ML-134336

PRIOR MLS COVERED IN THIS MANUAL

HL800CE	ML-134319
HL800AUS	ML-134326
HL1400CE	ML-134320
HL1400AUS	ML-134330

Table of Contents

5	CONTROL PANEL
7	ELECTRICAL COMPONENTS (HL1400 SERIES) (ML-134320, ML-134330, ML-134335, & ML-134336)
9	ELECTRICAL COMPONENTS (HL800 SERIES) (ML-134319, ML-134326, ML-134356, & ML-134357)
11	BASE AND PEDESTAL
13	BOWL SUPPORT
15	TRANSMISSION CASE AND MOTOR
17	TRANSMISSION
18	PLANETARY (HL1400 SERIES) (ML-134320, ML-134330, ML-134335, & ML-134336)
21	PLANETARY (HL800 SERIES) (ML-134319, ML-134326, ML-134356, & ML-134357)
23	BOWL GUARD
25	AGITATORS AND ACCESSORIES (40 & 60 QUART)
27	AGITATORS AND ACCESSORIES (80 & 140 QUART)
28	BOWL AND EXTENSIONS



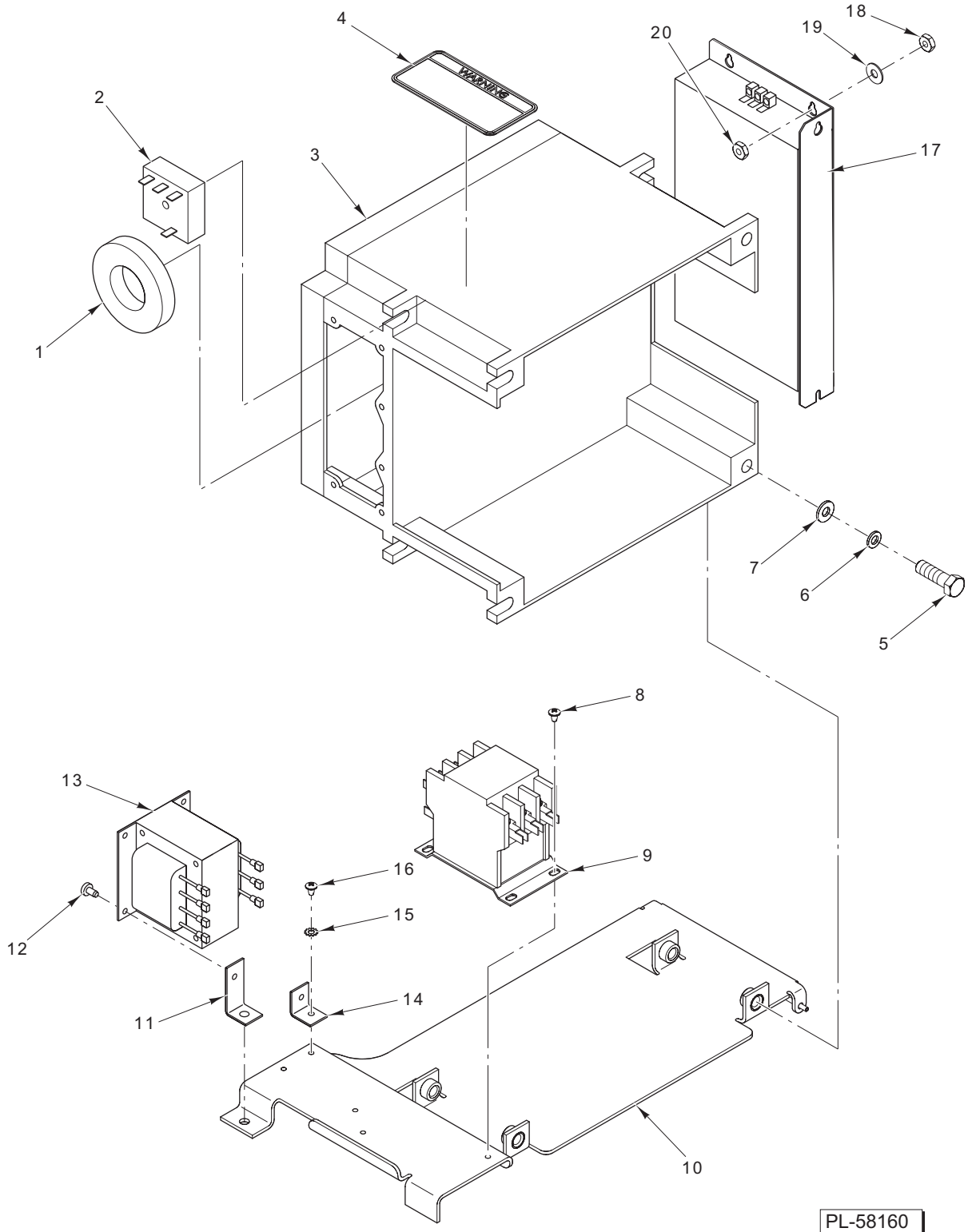
PL-57872

CONTROL PANEL

CONTROL PANEL

ILLUS.	PART NO.	NAME OF PART	AMT.
PL-57872			
1	00-478752-00002	Switch – Operator (Stop)	1
2	00-087711-322-3	Block – Contact (Stop)	1
3	00-478752-00001	Switch – Operator (Start)	1
4	00-087711-322-4	Block – Contact (Start)	1
5	00-874631	Selector – Switch Assy. (Speed Selector)	1
6	00-875723	Encoder Assy. (Time Selector)	1
7	00-916063	Bumper	1
*8	00-916818	Interface – Circuit Board Assy.	1
9	SD-039-23	Self-Tapping Screw 6-32 x 1/4 Hex. Washer Hd., Type RL	2
10	00-916061	Block – Interface	1
11	SD-038-49	Self-Tapping Screw 6-32 x 1/2 Hex. Washer Hd., Type RL	2
12	00-916803	PCB Assy. (Timer Board)	1
13	00-916804	PCB Assy. (Timer Board) (With Recipe Timer)	1
14	00-873945	Panel – Control	1
15	SC-128-40	Mach. Screw 8-32 x 2 1/4 Phil. Oval Hd.	2
16	00-916233	Label – Overlay	1
17	00-916234	Label – Overlay (With Recipe Timer)	1
18	00-087711-330-1	Switch – Rocker (Bowl Lift)	1
19	00-875724	Knob – Timer	1
20	00-874630	Knob – Speed Selector	1
21	SC-128-39	Mach. Screw 8-32 x 1 1/2 Phil. Hd. (SST)	4
22	00-875963	Label (Mix/Stop)	1
23	00-478753-00001	Cap – Round Push Button (Flush)	1
24	00-478751-00001	Cap – Round Push Button (Extended)	1

* On Prior ML's, Order Kit 00-917037.

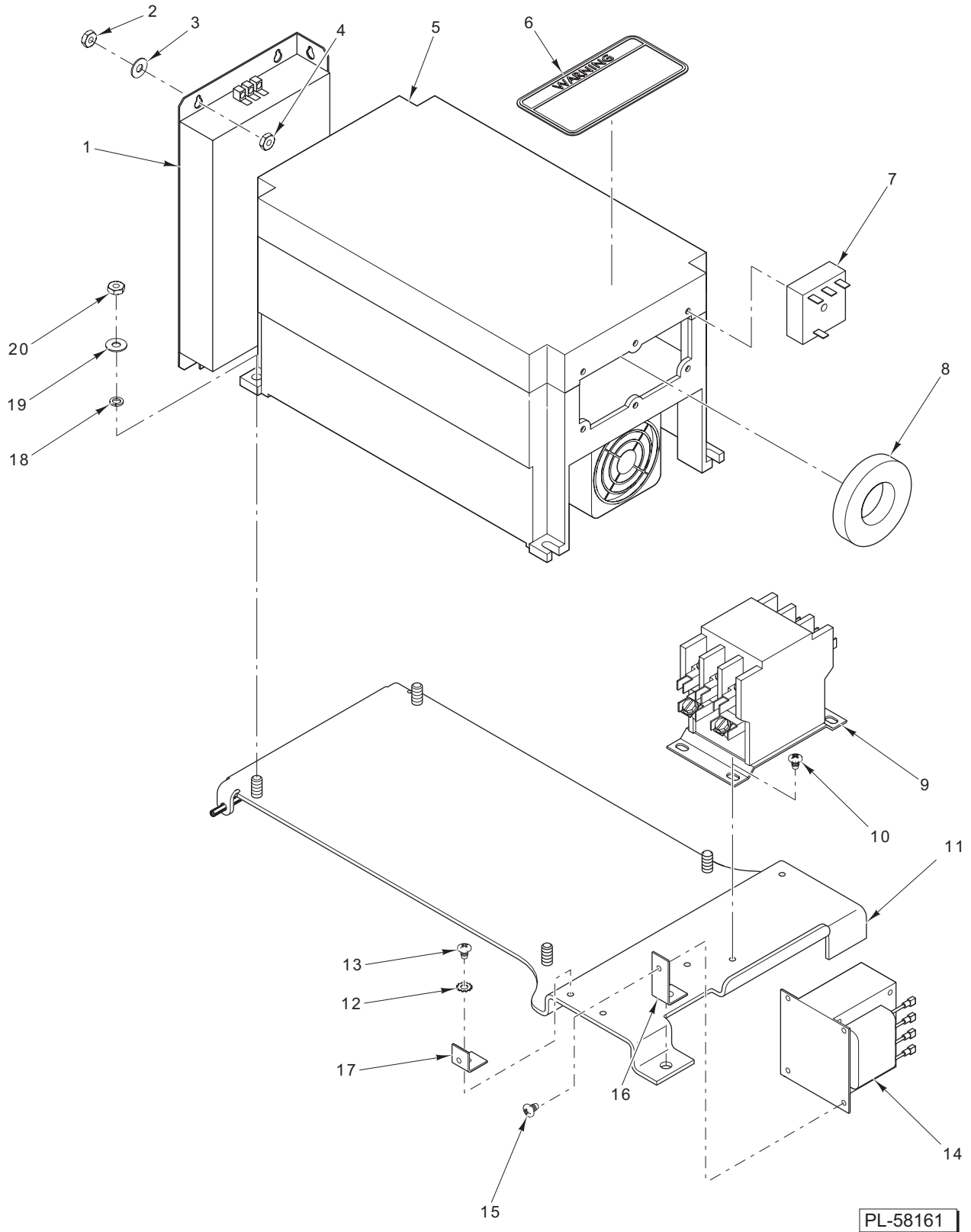


PL-58160

**ELECTRICAL COMPONENTS (HL1400 SERIES)
(ML-134320, ML-134330, ML-134335, & ML-134336)**

**ELECTRICAL COMPONENTS (HL1400 SERIES)
(ML-134320, ML-134330, ML-134335, & ML-134336)**

ILLUS.	PART NO.	NAME OF PART	AMT.
PL-58160			
1	00-916185-00001	Ferrite	1
2	00-916642	Relay – Time Delay.....	1
3	00-916183-00002	Drive – Controller (460 V.)	1
4	00-438131-00180	Label – Warning.....	1
5	SC-118-09	Cap Screw 3/8-16 x 1 1/4 Hex. Hd.....	4
6	WL-004-02	Lockwasher 3/8 Helical.....	4
7	WS-006-36	Washer.....	4
8	SD-015-39	Self-Tapping Screw 8-32 x 1/4 Phil. Pan Hd., Type TT	2
9	00-087713-107-5	Contactora (30 Amp./Aux., 3 Ph.).....	1
10	00-875974	Plate – Drive Mount Assy.....	1
11	00-916587	Bracket – Transformer (Front)	1
12	SD-015-39	Self-Tapping Screw 8-32 x 1/4 Phil. Pan Hd., Type TT	2
13	00-916588	Transformer Assy. (480 V.).....	1
14	00-916586	Bracket – Transformer	1
15	WL-007-06	Lockwasher #8 External	1
16	SD-015-20	Self-Tapping Screw 10-32 x 3/8 Phil. Pan Hd., Type TT	1
17	00-916327-00002	Filter – Powerline	1
18	NS-013-01	Nut 1/4-20 Hex	2
19	WS-003-43	Washer.....	7
20	NS-038-04	Lock Nut 1/4-20 Flange	3
	00-875883-00003	Control Panel Assy. (460 V.) (Incls. Items 1 thru 16)	1
	00-916730-00001	Harness – Main Control	1

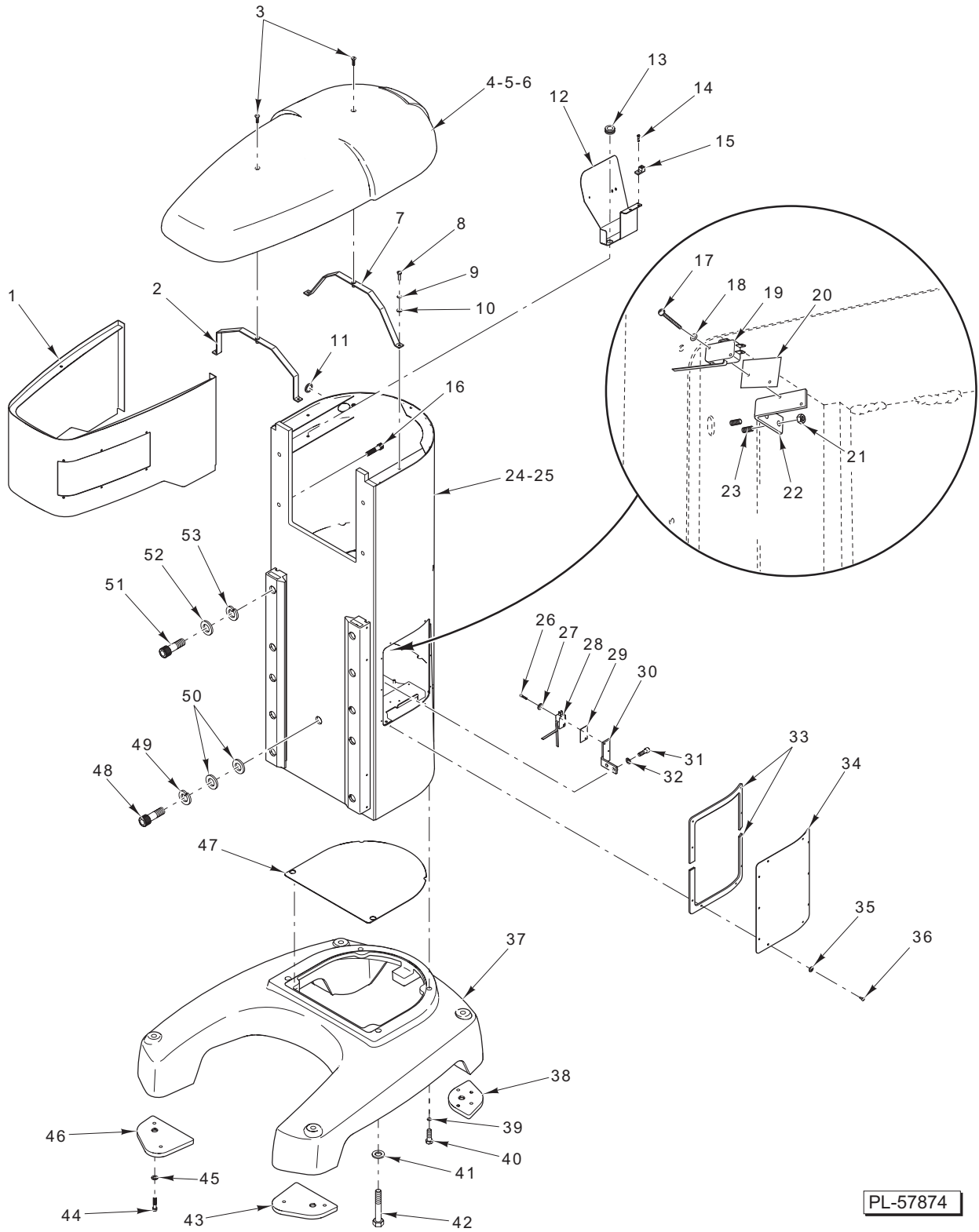


**ELECTRICAL COMPONENTS (HL800 SERIES)
(ML-134319, ML-134326, ML-134356, & ML-134357)**

**ELECTRICAL COMPONENTS (HL800 SERIES)
(ML-134319, ML-134326, ML-134356, & ML-134357)**

ILLUS.	PART NO.	NAME OF PART	AMT.
PL-58161			
1	00-916327-00001	Filter – Powerline	1
2	NS-013-01	Nut 1/4-20 Hex	2
3	WS-003-43	Washer.....	7
4	NS-038-04	Lock Nut 1/4-20 Flange	3
*5	00-916184-00004	Drive – Controller (460 V.)	1
6	00-438131-00180	Label – Warning.....	1
7	00-916642	Relay – Time Delay.....	1
8	00-916185-00001	Ferrite	1
9	00-087713-107-5	Contactora (30 Amp./Aux., 3 Ph.)	1
10	SD-015-39	Self-Tapping Screw 8-32 x 1/4 Phil. Pan Hd., Type TT	2
11	00-916098	Plate – Drive Mount Assy.....	1
12	WL-007-06	Lockwasher #8 External	1
13	SD-015-39	Self-Tapping Screw 8-32 x 1/4 Phil. Pan Hd., Type TT	1
14	00-916588	Transformer Assy.(480 V.).....	1
15	SD-015-20	Self-Tapping Screw 10-32 x 3/8 Phil. Pan Hd., Type TT	1
16	00-916587	Bracket – Transformer (Front)	1
17	00-916586	Bracket – Transformer	1
18	WS-002-51	Washer.....	4
19	WL-003-22	Lockwasher #10 Helical.....	4
20	NS-009-22	Nut 10-24 Hex.....	4
	00-916099-00006	Control Panel Assy. (460 V.) (Incls. Items 5 thru 20)	1
	00-916730-00001	Harness – Main Control.....	1

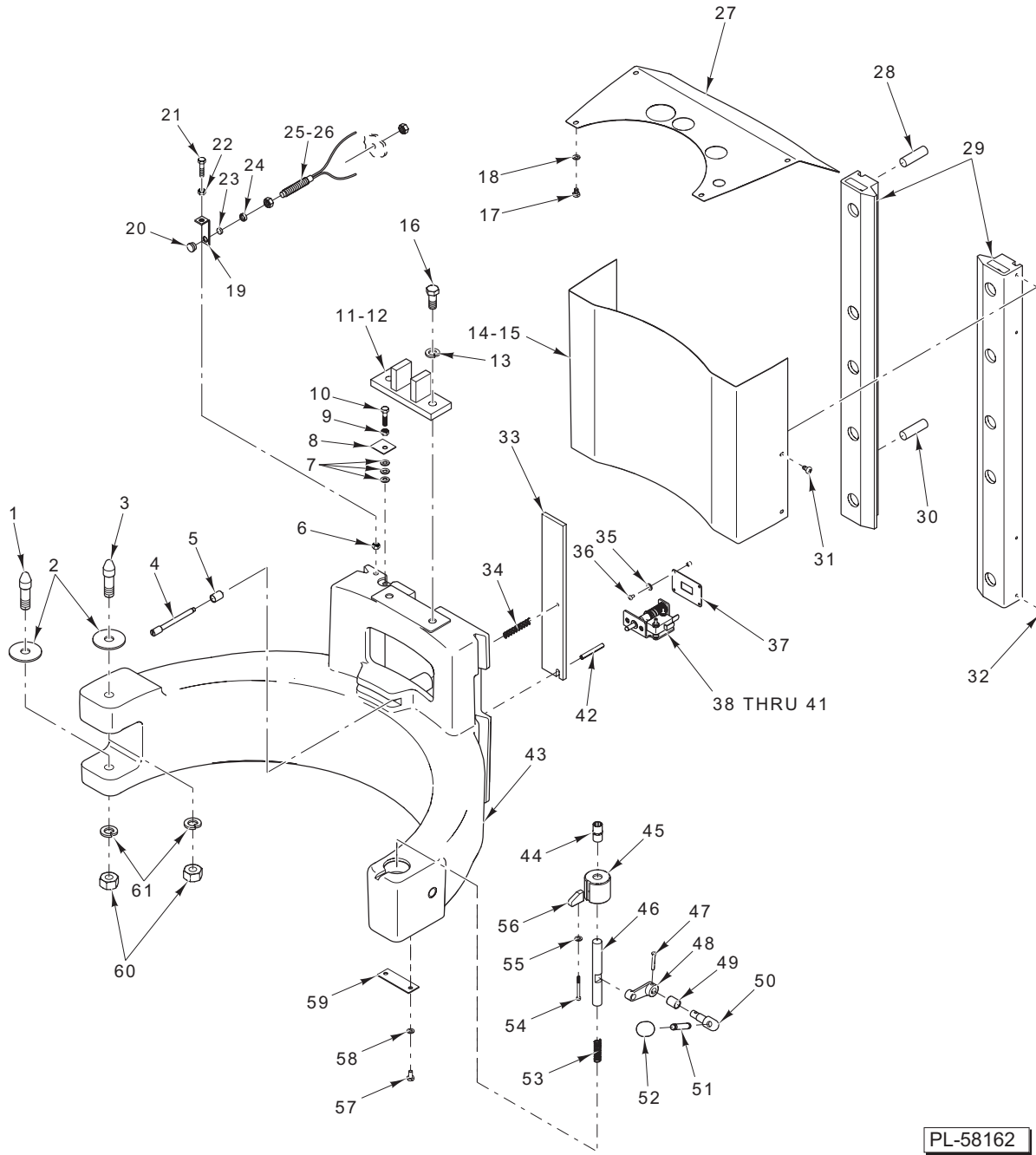
* On Prior ML's, Order with Motor Assy. 00-875995-00002.



BASE AND PEDESTAL

BASE AND PEDESTAL

ILLUS.	PART NO.	NAME OF PART	AMT.
	PL-57874		
1	00-875860	Wrapper Assy. – Transmission.....	1
2	00-874569	Strap Assy. – Top Cover.....	1
3	SC-120-29	Mach. Screw 1/4-20 x 1 Phil. Oval Hd.....	2
4	00-875786	Top – Cover	1
5	00-874512-00001	Seal – Top Cover	1
6	00-874512-00002	Seal – Top Cover	1
7	00-874571	Strap Assy. – Top Cover.....	1
8	SC-036-06	Cap Screw 1/4-20 x 1 Hex Hd.....	4
9	WL-003-38	Lockwasher 1/4 Helical.....	4
10	WS-003-43	Washer.....	4
11	FE-026-44	Relief – Electrical Strain.....	1
12	00-916173	Shield – Wire	1
13	FE-021-13	Grommet.....	1
14	SD-029-02	Self-Tapping Screw 10-24 Slotted Pan Hd., Type F	2
15	00-118544-00001	Lug – Ground.....	1
16	SC-120-38	Cap Screw 5/16-18 x 1 Hex Hd.....	4
17	SC-060-40	Mach. Screw 4-40 x 5/8 Slotted Rd. Hd.	2
18	WL-003-03	Lockwasher #4 Helical.....	2
19	00-087711-00248	Switch – Bowl Height.....	1
20	00-873376	Insulator	1
21	NS-009-30	Nut 10-32 Hex.....	2
22	00-874578	Bracket– Bowl Height Switch.....	1
23	00-113631-00040	Stud – Self-Clinching	2
24	00-916056-00002	Pedestal (ML-134319, ML-134326, ML-134356, & ML-134357).....	1
25	00-916051-00002	Pedestal (ML-134320, ML-134330, ML-134335, & ML-134336).....	1
26	SC-060-40	Mach. Screw 4-40 x 5/8 Slotted Rd. Hd.	2
27	WL-003-03	Lockwasher #4 Helical.....	2
28	00-087711-00248	Switch – Bowl Height.....	1
29	00-873376	Insulator	1
30	00-873371	Bracket – Down Limit Switch	1
31	SC-089-02	Cap Screw 1/4-20 x 3/4 Hex Socket Hd.....	2
32	WL-003-38	Lockwasher 1/4 Helical.....	2
33	00-875815	Seal – Side Panel	2
34	00-874386-00001	Cover – Side	1
35	WS-023-22	Washer (SST).....	8
36	SD-009-41	Self-Tapping Screw 8-32 x 3/8 Phil. Pan Hd. (SST).....	8
37	00-873960-003-2	Base.....	1
38	00-874149	Pad – Foot (Rear)	2
39	WL-004-11	Lockwasher 1/2 Helical.....	2
40	SC-037-01	Cap Screw 1/2-13 x 1 1/2 Hex Hd.....	2
41	WL-004-19	Lockwasher 5/8 Helical.....	2
42	SC-037-36	Cap Screw 5/8-11 x 3 1/2 Hex Hd.....	2
43	00-874150	Pad – Foot	1
44	SC-110-03	Cap Screw 3/8-16 x 3/4 Socket Hex Hd.....	8
45	WS-005-49	Washer.....	8
46	00-874153	Pad – Foot	1
47	00-874327	Plate – Pedestal Bottom	1
48	SC-110-55	Cap Screw 1/2-30 x 1 1/4 Socket Hex Hd.....	1
49	WL-004-11	Lockwasher 1/2 Helical.....	1
50	WS-008-04	Washer.....	2
51	SC-040-69	Cap Screw 1/2-20 x 2 Hex Soc. Hd.....	10
52	WL-004-11	Lockwasher 1/2 Helical.....	10
53	WS-008-04	Washer.....	10

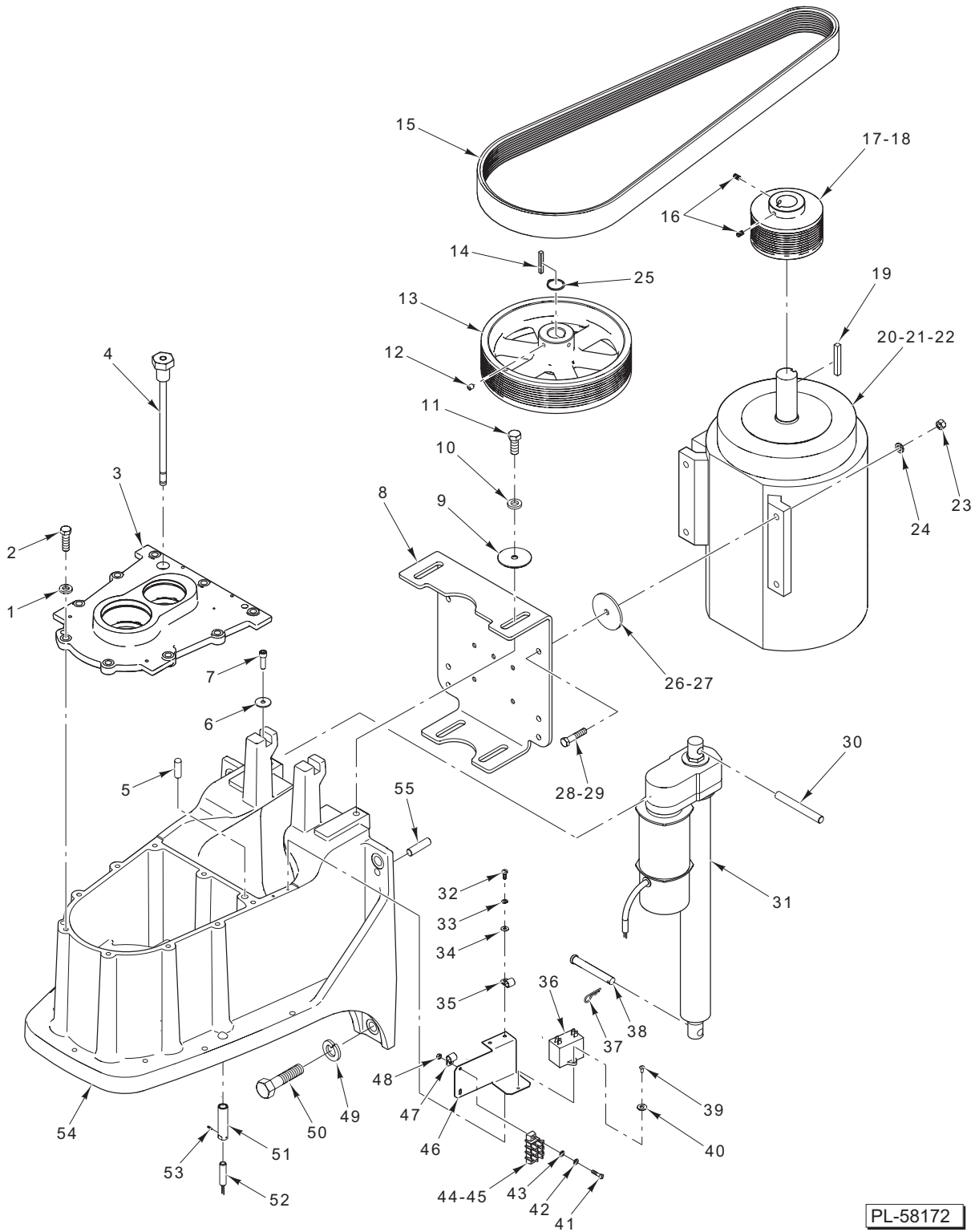


PL-58162

BOWL SUPPORT

BOWL SUPPORT

ILLUS. PL-58162	PART NO.	NAME OF PART	AMT.
1	00-916021	Pin – Bowl.....	1
2	00-916022	Bushing – Bowl Support	2
3	00-916351	Pin – Upper Bowl	1
4	00-874387	Pin – Limit	1
5	00-874492	Bushing – Bowl In	1
6	NS-013-14	Nut ⁵ / ₁₆ -18 Hex	1
7	WS-006-36	Washer.....	3
8	00-916359	Plate – Stop Bowl Travel.....	1
9	NS-013-14	Nut ⁵ / ₁₆ -18 Hex	1
10	SC-041-13	Cap Screw ⁵ / ₁₆ -18 x 1 Hex Hd. (SST)	1
11	00-873352-00002	Actuator – Bracket (ML-134320, ML-134330, ML-134335, & ML-134336).....	1
12	00-873352-00003	Actuator – Bracket (ML-134319, ML-134326, ML-134356, & ML-134357).....	1
13	WL-004-11	Lockwasher ¹ / ₂ Helical.....	2
14	00-916087	Apron – Back (ML-134319, ML-134326, ML-134356, & ML-134357).....	1
15	00-916088	Apron – Back (ML-134320, ML-134330, ML-134335, & ML-134336).....	1
16	SC-062-88	Cap Screw ¹ / ₂ -13 x 1 ¹ / ₄ Hex Hd.	2
17	SC-041-86	Cap Screw ¹ / ₄ -20 x ³ / ₈ Hex Hd.....	4
18	WL-006-17	Lockwasher ³ / ₈ Helical.....	4
19	00-916079	Bracket – Magnet.....	1
20	00-874886	Holder – Magnet (Lower)	1
21	SC-087-23	Cap Screw ⁵ / ₁₆ -18 x ¹ / ₂ Hex Socket Hd.	1
22	WL-003-44	Lockwasher ⁵ / ₁₆ Helical.....	1
23	00-874875	Magnet – Disc.....	1
24	00-874887	Holder – Magnet (Upper)	1
25	00-874929-00002	Switch – Reed-Fused Assy.	1
26	00-874959-00001	Tube – Reed Switch (Short).....	1
27	00-874597	Apron – Top.....	1
28	00-011800-00143	Pin – Dowel ¹ / ₂ x 1 ³ / ₄ SAE	2
29	00-479598	Slideway	2
30	00-011800-00143	Pin – Dowel ¹ / ₂ x 1 ³ / ₄ SAE	2
31	SC-128-95	Mach. Screw 10-24 x ¹ / ₄ Phil. Pan Hd.	4
32	SC-128-12	Mach. Screw 10-24 x ¹ / ₄ Phil. Pan Hd.	4
33	00-874566-00002	Plate – Bowl In Switch	1
34	00-873377	Spring – Bowl Pin	1
35	WL-003-12	Lockwasher #8 Helical.....	2
36	SC-018-33	Mach. Screw 8-32 x ⁵ / ₁₆ Phil. Pan Hd.	2
37	00-874479	Plate – Bowl In Switch	1
38	00-874893	Retainer (ML-134319 & ML-134326).....	1
39	00-874893-00002	Retainer (ML-134335, ML-134336, ML-134356, & ML-134357).....	1
40	00-874903-00002	Switch Assy. (ML-134319, ML-134326, ML-134356, & ML-134357)	1
41	00-916391	Switch Assy. (ML-134320, ML-134330, ML-134335, & ML-134336)	1
42	RP-004-28	Pin – Roll 0.250	1
43	00-873337	Yoke – Bowl	1
44	00-874390	Bushing – Bowl Lock	1
45	00-874376	Button – Bowl Rest	1
46	00-874391	Pin – Bowl.....	1
47	00-874388	Detent – Clevis Pin	1
48	00-874218	Clevis – Bowl Lock.....	1
49	00-874138	Bushing – Bowl Pin.....	1
50	00-874220	Handle – Bowl Pin	1
51	00-874197	Shaft – Bowl Pin Handle.....	1
52	00-875356	Handle – Lift Lever.....	1
53	00-874198	Spring – Bowl Pin	1
54	SC-092-27	Cap Screw 8-32 x 1 ³ / ₄ Hex Socket Hd.	1
55	WL-003-12	Lockwasher #8 Helical.....	1
56	00-874380	Ramp – Wear.....	1
57	SC-036-14	Cap Screw ¹ / ₄ -20 x ¹ / ₂ Hex Hd.....	2
58	WL-003-38	Lockwasher ¹ / ₄ Helical.....	2
59	00-874199	Strap – Spring Retaining.....	1
60	NS-013-40	Nut ⁵ / ₈ -11 Hex.....	2
61	WL-004-18	Lockwasher ⁵ / ₈ Helical.....	2
	00-874139	Handle Assy. – Bowl Lock (Incls. Items 50, 51, & 52).....	1
	SC-128-96	Mach. Screw 8-32 x ³ / ₈ Phil. Truss Hd. (ML-134335 & ML-134336).....	4



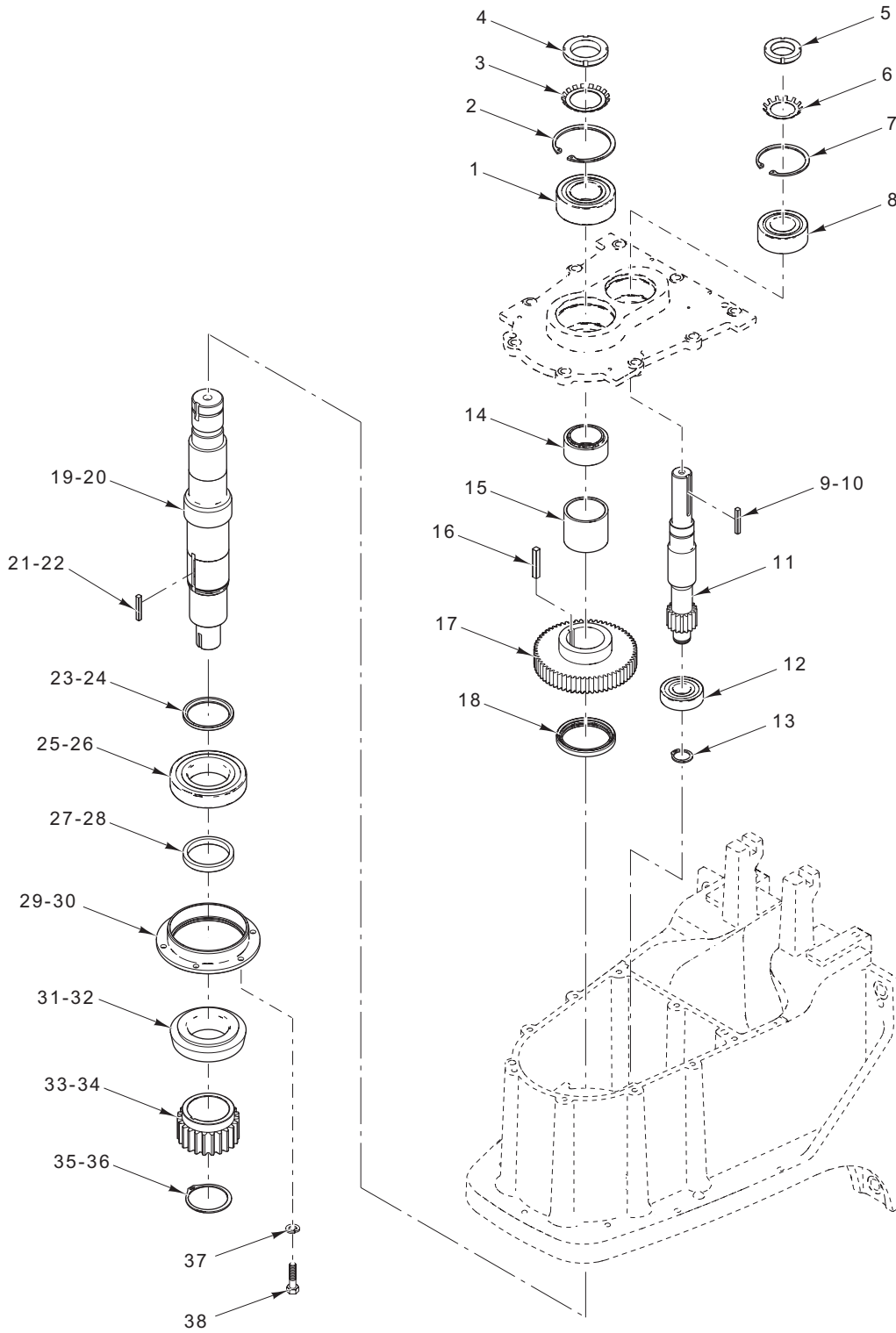
PL-58172

TRANSMISSION CASE AND MOTOR

TRANSMISSION CASE AND MOTOR

ILLUS.	PART NO.	NAME OF PART	AMT.
	PL-58172		
1	WL-019-09	Lockwasher ³ / ₈ Helical.....	9
2	SC-118-09	Cap Screw ³ / ₈ -16 x 1 ¹ / ₄ Hex Hd.....	9
3	00-874653	Cover – Transmission.....	1
4	00-916182	Dipstick – Weldment.....	1
5	00-557555	Dowel.....	2
6	00-916352	Washer – Flat.....	2
7	SC-040-15	Cap Screw ⁵ / ₁₆ -18 x 1 ¹ / ₄ Hex Socket Hd.....	2
8	00-874441-00002	Plate – Motor Mounting.....	1
9	WS-008-40	Washer.....	4
10	WL-019-11	Lockwasher ¹ / ₂ Helical.....	4
11	SC-062-88	Cap Screw ¹ / ₂ -13 x 1 ¹ / ₄ Hex Hd.....	4
12	SC-075-15	Set Screw ⁵ / ₁₆ -18 x ³ / ₈ Hex Hdls., Cup Pt.....	2
13	00-916003	Sheave – Driven (10L).....	1
14	00-875419-00069	Key – Chamfered.....	1
15	00-874493	Belt.....	1
16	SC-075-15	Set Screw ⁵ / ₁₆ -18 x ³ / ₈ UNC-2B.....	2
17	00-875805	Sheave – Drive (ML-134320, ML-134330, ML-134335, & ML-134336).....	1
18	00-875939	Sheave – Motor (ML-134319, ML-134326, ML-134356, & ML-134357).....	1
19	00-875419-00079	Key ⁵ / ₁₆ x ⁵ / ₁₆ x 1 ¹ / ₂	1
20	00-875993-00002	Motor Assy. (5 Hp., 200 - 400 V.) (ML-134320, ML-134330, ML-134335, & ML-134336).....	1
*21	00-875995-00002	Motor Assy. (3 Hp., 200 - 400 V.) (ML-134319, ML-134326, ML-134356, & ML-134357).....	1
22	00-875994-00005	Motor Assy. (5 Hp., 400 V.) (ML-134335 & ML-134336).....	1
23	NS-013-22	Nut ³ / ₈ -16 Hex.....	4
24	WL-004-06	Lockwasher ³ / ₈ Helical.....	4
25	RR-007-02	Retaining Ring.....	1
26	00-875940	Spacer (ML-134319, ML-134326, ML-134356, & ML-134357).....	4
27	00-873363	Spacer (ML-134320, ML-134330, ML-134335, & ML-134336).....	4
28	SC-118-08	Cap Screw ³ / ₈ -16 x 1 ³ / ₄ Hex Hd. (ML-134319, ML-134326, ML-134356, & ML-134357).....	4
29	SC-124-91	Cap Screw ³ / ₈ -16 x 2 ¹ / ₂ Hex Hd. (ML-134320, ML-134330, ML-134335, & ML-134336).....	4
30	00-874315	Pin – Actuator (Upper).....	1
31	00-916565	Actuator Assy.....	1
32	SC-018-20	Mach. Screw 10-24 x ¹ / ₂ Slotted Pan Hd.....	2
33	WL-003-22	Lockwasher #10 Helical.....	2
34	WS-002-51	Washer.....	2
35	00-078752-00012	Clamp (³ / ₈ In.).....	1
36	00-110979-00100	Capacitor.....	1
37	PC 003-50	Pin – Cotter.....	1
38	00-874117-00002	Pin – Clevis.....	1
39	SD-009-41	Self-Tapping Screw 8-32 x ³ / ₈ Phil. Pan Hd. (SST).....	1
40	WS-023-22	Washer.....	1
41	SC-009-68	Mach. Screw 6-32 x ¹ / ₂ Slotted Rd. Hd.....	2
42	WL-003-15	Lockwasher #8 Helical.....	2
43	WS-023-22	Washer.....	2
44	00-916269	Block – Terminal ¹ / ₄ QC.....	1
45	00-065890-00139	Terminal Spade.....	3
46	00-916270	Mount – Capacitor.....	1
47	00-294677-00002	Clamp (¹ / ₂ In.).....	1
48	NS-009-12	Nut 8-32 Hex.....	2
49	WL-004-19	Lockwasher ⁵ / ₈ Helical.....	4
50	SC-129-34	Cap Screw ⁵ / ₈ -11 x 1 ¹ / ₂ Hex Hd.....	4
51	00-874128	Extension – Bowl Guard Switch.....	1
52	00-874929-00002	Switch – Reed-Fused Assy.....	1
53	SC-075-14	Set Screw 6-32 x ¹ / ₈ Hex Hdls., Cup Pt.....	1
54	00-874641	Case – Transmission.....	1
55	00-508208	Pin – Dowel.....	2
	00-916471-00001	Harness – Main Control.....	1
	00-916471-00012	Harness – Main Control.....	1
	00-916471-00017	Harness – Wiring.....	1
	00-916483	Insulator.....	1

* On Prior ML's, Order with Drive – Controller 00-916184-00004.

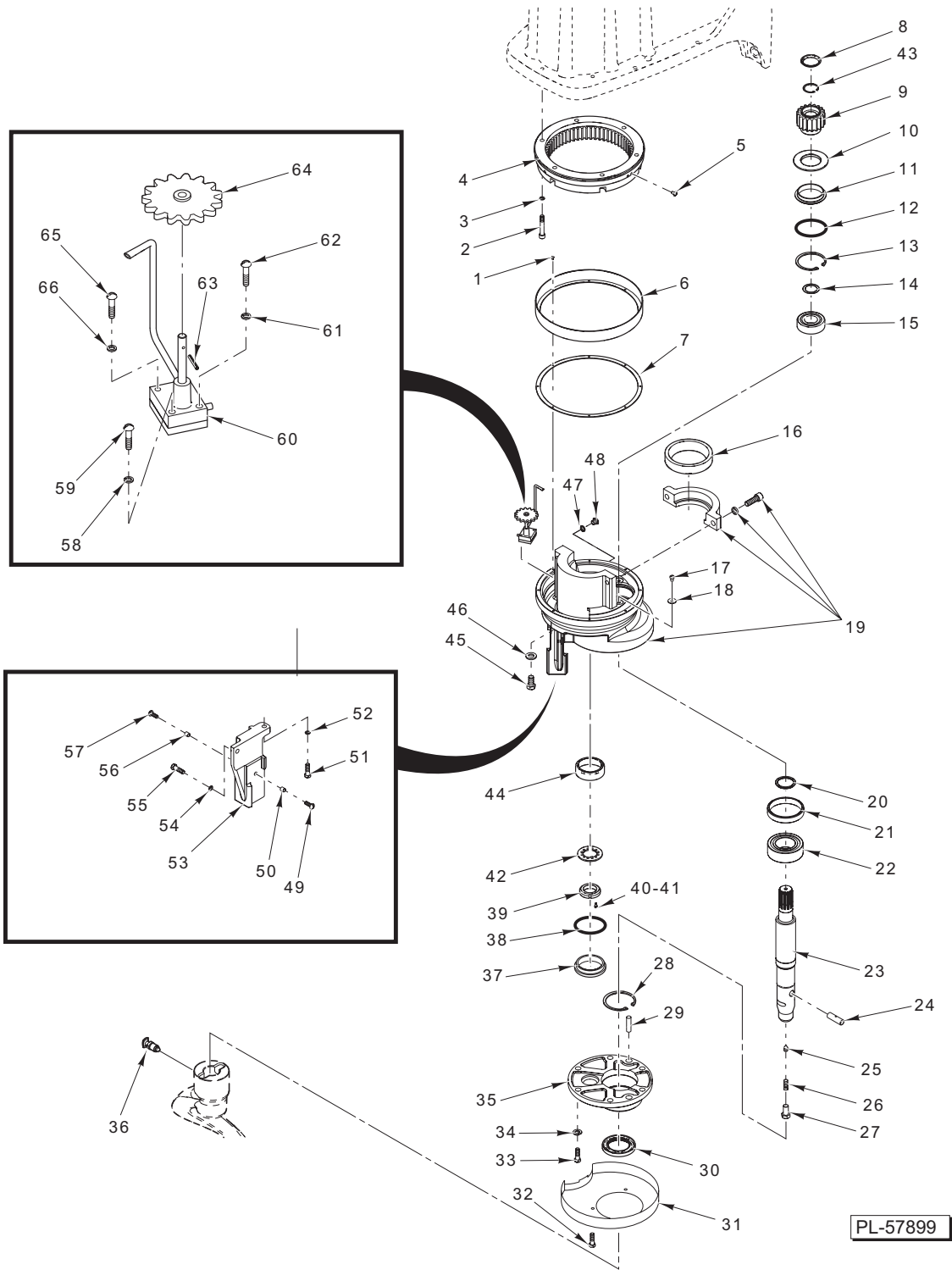


PL-58098

TRANSMISSION

TRANSMISSION

ILLUS. PL-58098	PART NO.	NAME OF PART	AMT.
1	BB-021-59	Bearing – Ball	1
2	RR-012-21	Retaining Ring	1
3	WL-012-10	Lockwasher.....	1
4	NS-034-10	Lock Nut.....	1
5	NS-034-08	Lock Nut.....	1
6	WL-012-08	Lockwasher.....	1
7	RR-004-24	Retaining Ring	1
8	BB-021-56	Bearing – Ball	1
9	00-875419-00069	Key – Chamfered (ML-134320 & ML-134330).....	1
10	00-875419-00079	Key – Chamfered (ML-134319, ML-134326, ML-134335, ML-134336, ML-134356, & ML-134357).....	1
11	00-916178	Shaft – Input	1
12	BB-018-22	Bearing – Ball	1
13	RR-009-07	Retaining Ring	1
14	00-874564	Spacer – Upper (W/O Att. Hub)	1
15	00-874565	Spacer – Lower (W/O Att. Hub)	1
16	00-875419-00079	Key ⁵ / ₁₆ X ⁵ / ₁₆ X 1 ¹ / ₂	1
17	00-874448	Gear.....	1
18	00-874454	Seal – Oil	1
19	00-875855	Shaft – Planetary (ML-134319, ML-134326, ML-134356, & ML-134357).....	1
20	00-874452	Shaft – Planetary (ML-134320, ML-134330, ML-134335, & ML-134336).....	1
21	00-875419-00078	Key – Chamfered (ML-134319, ML-134326, ML-134356, & ML-134357)	1
22	00-875419-00066	Key – Chamfered (ML-134320, ML-134330, ML-134335, & ML-134336)	1
23	00-064467	Spacer – Upper (Lower Planetary) (ML-134319, ML-134326, ML-134356, & ML-134357).....	1
24	00-067900	Spacer – Upper (Lower Planetary) (ML-134320, ML-134330, ML-134335, & ML-134336).....	1
25	BB-007-07	Bearing – Ball Sgl. Rod (ML-134319, ML-134326, ML-134356, & ML-134357).....	1
26	BB-021-49	Bearing – Ball Sgl. Rod (ML-134320, ML-134330, ML-134335, & ML-134336).....	1
27	00-875858	Spacer – Lower (Lower Planetary) (ML-134319, ML-134326, ML-134356, & ML-134357).....	1
28	00-874567	Spacer – Lower (Lower Planetary) (ML-134320, ML-134330, ML-134335, & ML-134336).....	1
29	00-875857	Carrier – Lower Bearing (ML-134319, ML-134326, ML-134356, & ML-134357)	1
30	00-874451	Carrier – Lower Bearing (ML-134320, ML-134330, ML-134335, & ML-134336).....	1
31	BR-003-11	Bearing – Roller Cone (ML-134319, ML-134326, ML-134356, & ML-134357).....	1
32	BR-003-29	Bearing – Roller Cone (ML-134320, ML-134330, ML-134335, & ML-134336).....	1
33	00-064386	Gear – Sun (ML-134319, ML-134326, ML-134356, & ML-134357).....	1
34	00-067904	Gear – Sun (ML-134320, ML-134330, ML-134335, & ML-134336).....	1
35	RR-004-14	Retaining Ring (ML-134319, ML-134326, ML-134356, & ML-134357).....	1
36	RR-011-96	Retaining Ring (ML-134320, ML-134330, ML-134335, & ML-134336).....	1
37	WL-003-48	Lockwasher ⁵ / ₁₆ Helical	6
38	SC-123-75	Cap Screw ⁵ / ₁₆ -18 x ³ / ₄ Button Hex Hd.	6
	00-875856	Planetary Shaft Assy. (ML-134319, ML-134326, ML-134356, & ML-134357) (Incls. Items 19, 21, 23, 25, 27, 29, 31, 33, & 35).....	1
	00-874447	Planetary Shaft Assy. (ML-134320, ML-134330, ML-134335, & ML-134336)	1
		(Incls. Items 20, 22, 24, 26, 28, 30, 32, 34, & 36).....	1

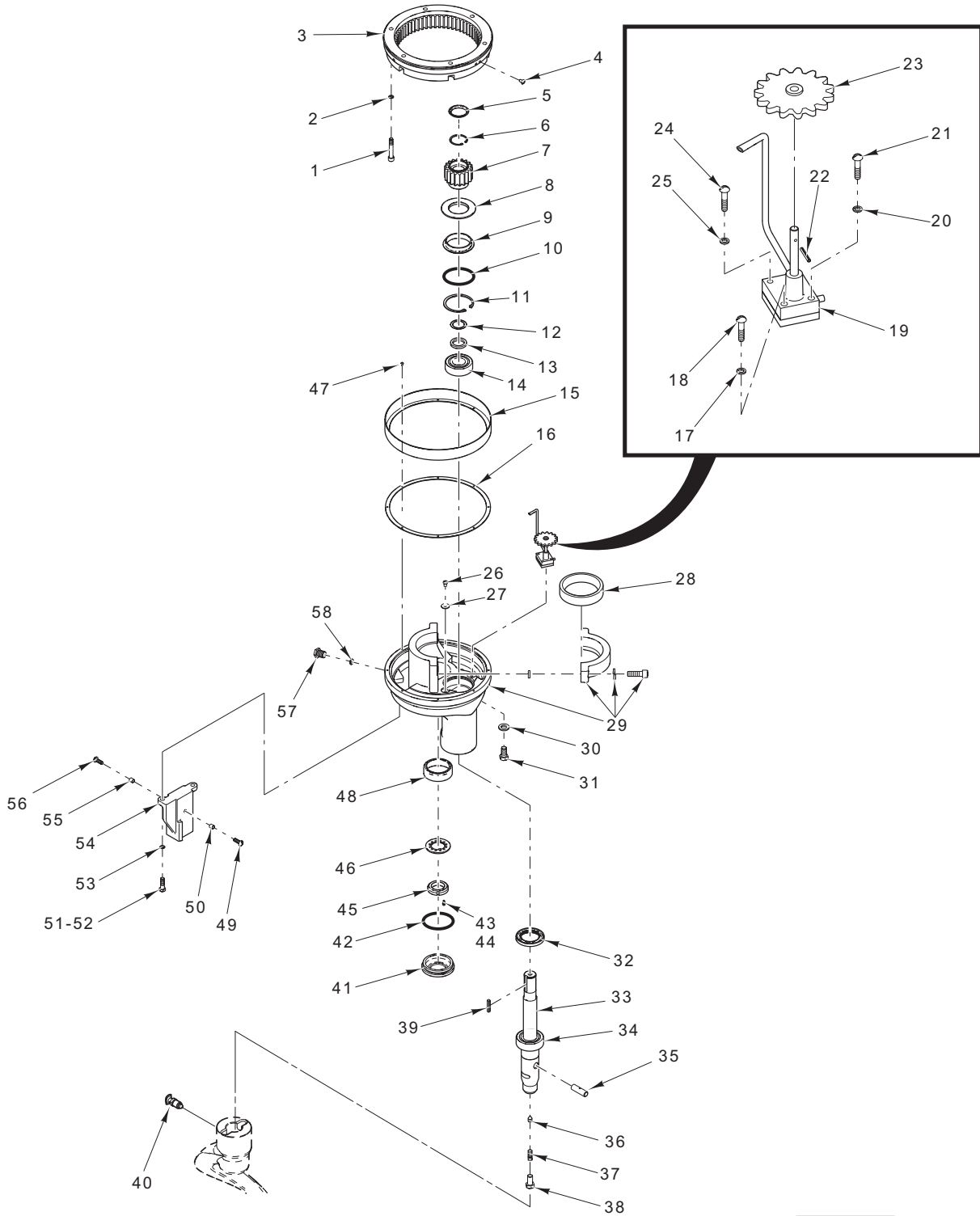


PLANETARY (HL1400 SERIES) (ML-134320, ML-134330, ML-134335, & ML-134336)

ILLUS.	PART NO.	NAME OF PART	AMT.
PL-57899			
1	SC-009-70	Mach. Screw 8-32 x 1/4 Slotted Rd. Hd. (SST).....	8
2	SC-040-28	Cap Screw 3/8-16 x 2 1/2 Hex Socket Hd.....	6
3	WL-019-92	Lockwasher 3/8 Helical.....	6
4	00-438050	Gear – Internal	1
5	SC-021-37	Mach. Screw 1/4-20 x 3/8 Slotted Rd. Hd. (SST).....	3

**PLANETARY (HL1400 SERIES)
(ML-134320, ML-134330, ML-134335, & ML-134336) (CONT.)**

ILLUS. PL-57899	PART NO.	NAME OF PART	AMT.
6	00-064478	Extension	1
7	00-064464	Gasket	1
8	00-060071	Cap – Oil Retaining.....	1
9	00-067886	Pinion – Internal (18T) (Incls. Item 10)	1
10	00-065372	Deflector – Oil	1
11	00-073011	Baffle – Planetary Oil	1
12	00-067500-00021	O-Ring	1
13	RR-004-24	Retaining Ring	1
14	00-068277	Shim – Internal Pinion.....	1
15	BB-021-56	Bearing – Ball	1
16	BR-003-30	Bearing – Roller Assy.....	1
17	SC-011-72	Mach. Screw 1/4-20 x 3/8 Slotted Phil. Hd.....	2
18	WS-003-46	Washer.....	2
19	00-874690	Planetary Assy. (Incls. Items 51, 52, 53, 54, 55, & Bearing Cap)	1
20	00-067902	Spacer – Agitator Shaft.....	1
21	00-067903	Locator – Bearing	1
22	BB-021-55	Bearing – Ball	1
23	00-916037	Shaft – Agitator (Incls. Item 22)	1
24	00-873953	Pin – Agitator Shaft.....	1
25	00-007744	Set Screw Hdls., Cone Pt.	1
26	SC-047-41	Set Screw 3/8-16 x 3/8 Hex Hdls., Cup Pt.	1
27	00-064723	Plug – Agitator Shaft	1
28	RR-006-07	Retaining Ring	1
29	00-011800-00237	Dowel.....	2
30	00-068045	Seal – Oil	1
31	00-874669	Cover – Planetary	1
32	00-080531	Screw – Nylok Hex Hd.....	2
33	SC-120-28	Cap Screw 1/2-13 x 2 Hex Hd.....	6
34	WL-004-11	Lockwasher 1/2 Helical.....	6
35	00-067921-00001	Plate – Bearing	1
36	00-874145	Plunger Assy.	1
37	00-437496-00002	Cap – Seal.....	1
38	00-067500-00021	O-Ring	1
39	00-065275	Bearing – Special Locknut.....	1
40	00-065277	Cap Screw – Socket Hd.....	1
41	WL-003-15	Lockwasher #8 Helical.....	1
42	00-064982	Washer – Tongue.....	1
43	RR-006-08	Retaining Ring	1
44	BR-002-15	Bearing	1
45	SC-129-38	Cap Screw 7/16-20 x 1 Hex Hd. (SST)	1
46	WS-021-20	Washer.....	1
47	WS-021-20	Washer.....	1
48	00-064465-00001	Plug – Oil Fill.....	1
49	SC-021-54	Mach. Screw 5/16-18 x 7/8 Slotted Rd. Hd.(SST)	1
50	00-874181	Spacer – Scraper Arm	1
51	SC-041-31	Cap Screw 3/8-16 x 1 1/4 Hex Hd. (SST)	1
52	WL-006-28	Lockwasher 3/8 Helical.....	1
53	00-874649	Bracket – Bowl Scraper	1
54	WL-006-28	Lockwasher 3/8 Helical.....	1
55	SC-041-49	Cap Screw 3/8-16 x 1 3/8 Hex Hd. (SST)	1
56	00-874181	Spacer – Scraper Arm	1
57	SC-021-54	Mach. Screw 5/16-18 x 7/8 Slotted Rd. Hd. (SST)	1
58	WL-003-22	Lockwasher #10 Helical.....	2
59	SC-009-51	Mach. Screw 10-32 x 7/8 Slotted Rd. Hd. (SST).....	2
60	00-290232-00002	Pump Assy. – Oil (Incls. Items 61, 62, & 63).....	1
61	WL-003-22	Lockwasher #10 Helical.....	1
62	SC-060-87	Mach. Screw 10-32 x 3/4 Slotted Rd. Hd. (SST).....	1
63	RP-002-08	Pin – Roll 0.078	1
64	00-064614	Gear – Drive Assy.	1
65	SC-009-68	Mach. Screw 8-32 x 3/4 Slotted Rd. Hd.	1
66	WL-003-15	Lockwasher #8 Helical.....	1

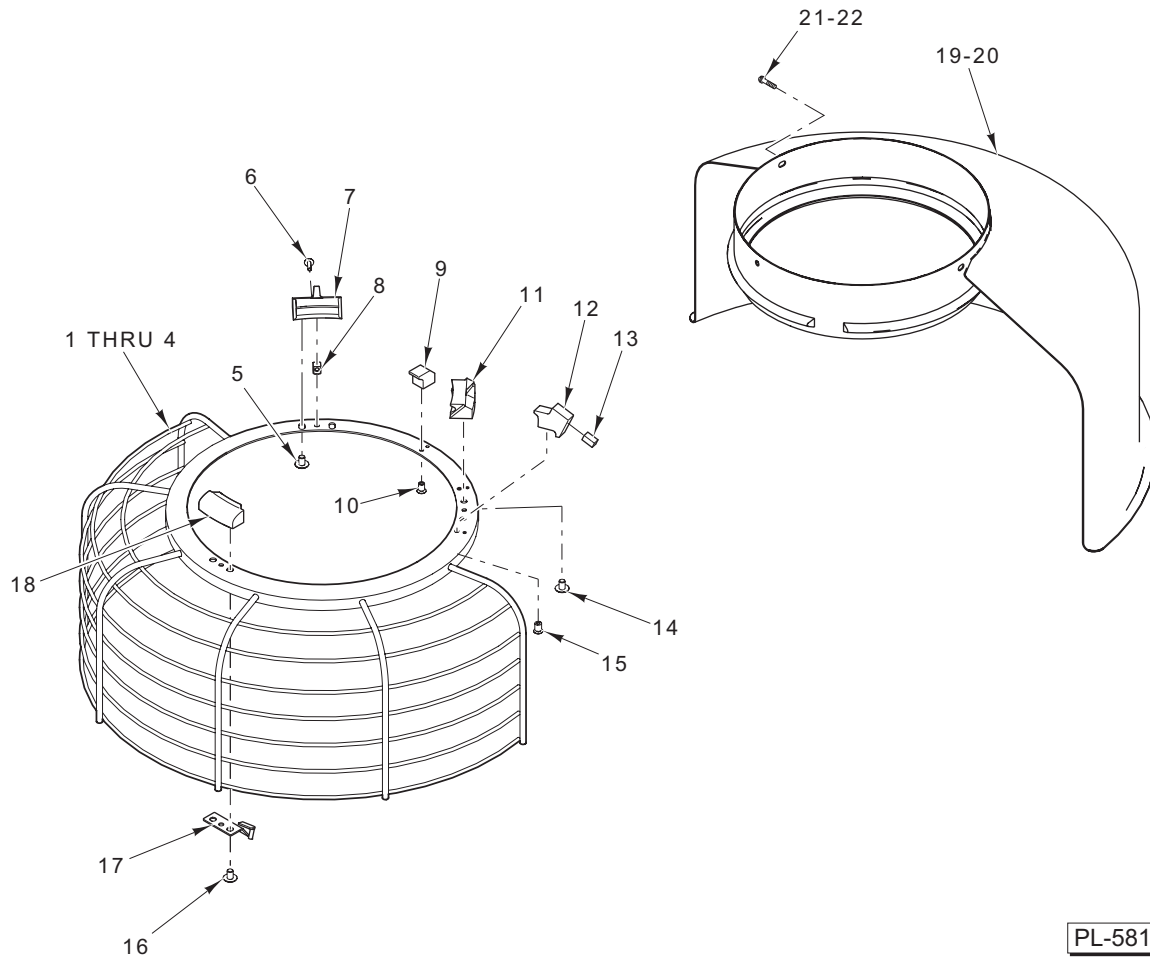


PL-57898

**PLANETARY (HL800 SERIES)
(ML-134319, ML-134326, ML134356, & ML-134357)**

PLANETARY (HL800 SERIES)
(ML-134319, ML-134326, ML134356, & ML-134357)

ILLUS.	PART NO.	NAME OF PART	AMT.
PL-57898			
1	SC-040-27	Cap Screw $\frac{3}{8}$ -16 x $2\frac{1}{4}$ Hex Socket Hd.....	6
2	WL-019-92	Lockwasher $\frac{3}{8}$ Helical.....	6
3	00-438121	Gear – Internal.....	1
4	SC-021-37	Mach. Screw $\frac{1}{4}$ -20 x $\frac{3}{8}$ Slotted Rd. Hd. (SST).....	3
5	00-060071	Cap – Oil Retaining.....	1
6	RR-005-08	Retaining Ring.....	1
7	00-064732	Pinion – Internal Oil Assy. (Incls. Item 8).....	1
8	00-065372	Deflector – Oil.....	1
9	00-073011	Baffle – Planetary Oil.....	1
10	00-067500-00021	O-Ring.....	1
11	RR-004-24	Retaining Ring.....	1
12	00-060768	Shim – Internal Pinion.....	1
13	00-065408	Spacer – Agitator Shaft.....	1
14	BB-006-36	Ball Bearing.....	1
15	00-064478	Extension.....	1
16	00-064464	Gasket.....	1
17	WL-003-22	Lockwasher #10 Helical.....	2
18	SC-009-51	Mach. Screw 10-32 x $\frac{7}{8}$ Slotted Rd. Hd. (SST).....	2
19	00-290232-00001	Pump Assy. – Oil (Incls. Items 20 thru 25).....	1
20	WL-003-22	Lockwasher #10 Helical.....	1
21	SC-060-87	Mach. Screw 10-32 x $\frac{3}{4}$ Slotted Rd. Hd. (SST).....	1
22	RP-002-08	Pin – Roll 0.078.....	1
23	00-064614	Gear – Drive Assy.	1
24	SC-009-68	Mach. Screw 8-32 x $\frac{3}{4}$ Slotted Rd. Hd.	1
25	WL-003-15	Lockwasher #8 Helical.....	1
26	SC-011-72	Mach. Screw $\frac{1}{4}$ -20 x $\frac{3}{8}$ Slotted Phil. Hd.....	2
27	WS-003-46	Washer.....	2
28	BR-003-12	Bearing – Roller Cap.....	1
29	00-916068	Planetary Assy. (Incls. Items 50, 51, 52, & Bearing Cap).....	1
30	WS-021-20	Washer.....	1
31	SC-129-38	Cap Screw $\frac{7}{16}$ -20 x 1 Hex Hd. (SST).....	1
32	00-916065	Seal – Oil.....	1
33	00-916048	Shaft – Agitator (Incls. Item 34).....	1
34	BB-007-39	Ball Bearing.....	1
35	00-873953	Pin – Agitator Shaft.....	1
36	00-007744	Set Screw Hex Hdls., Cone Pt.....	1
37	SC-047-41	Set Screw $\frac{3}{8}$ -16 x $\frac{3}{8}$ Hex Hdls., Cup Pt.....	1
38	00-064723	Plug – Agitator Shaft.....	1
39	00-875958	Key – Chamfered.....	1
40	00-874145	Plunger Assy.....	1
41	00-437496-00002	Cap – Seal.....	1
42	00-067500-00021	O-Ring.....	1
43	00-065277	Cap Screw – Socket Hd.....	1
44	WL-003-15	Lockwasher #8 Helical.....	1
45	00-065275	Bearing – Special Locknut.....	1
46	00-064982	Washer – Tongue.....	1
47	SC-009-70	Mach. Screw 8-32 x $\frac{1}{4}$ Slotted Rd. Hd. (SST).....	8
48	BR-002-15	Bearing.....	1
49	SC-021-54	Mach. Screw $\frac{5}{16}$ -18 x $\frac{7}{8}$ Slotted Rd. Hd.(SST).....	1
50	00-874181	Spacer – Scraper Arm.....	1
51	SC-041-31	Cap Screw $\frac{3}{8}$ -16 x $1\frac{1}{4}$ Hex Hd. (SST).....	1
52	SC-041-49	Cap Screw $\frac{3}{8}$ -16 x $1\frac{3}{8}$ Hex Hd. (SST).....	1
53	WL-006-28	Lockwasher $\frac{3}{8}$ Helical.....	2
54	00-873284	Bracket – Bowl Scraper.....	1
55	00-874181	Spacer – Scraper Arm.....	1
56	SC-021-54	Mach. Screw $\frac{5}{16}$ -18 x $\frac{7}{8}$ Slotted Rd. Hd. (SST).....	1
57	00-064465-00001	Plug – Oil Fill.....	1
58	WS-021-20	Washer.....	1

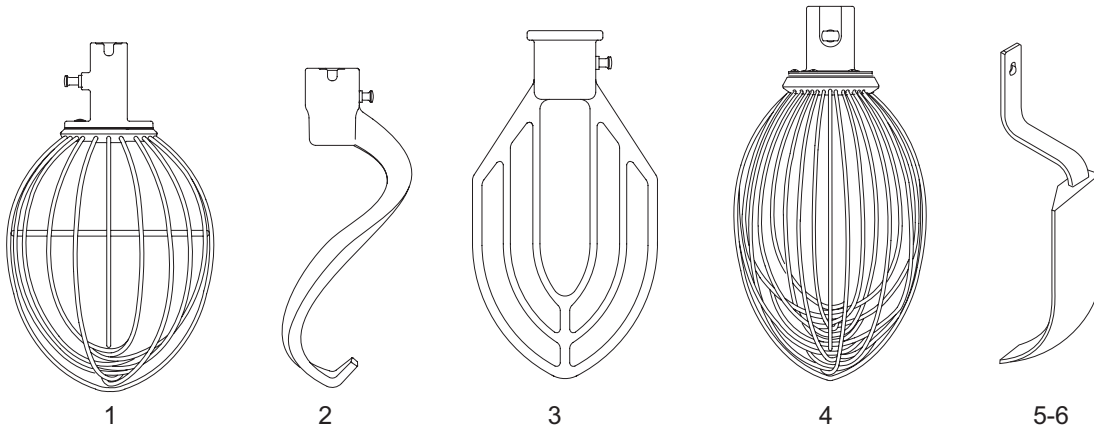


PL-58173

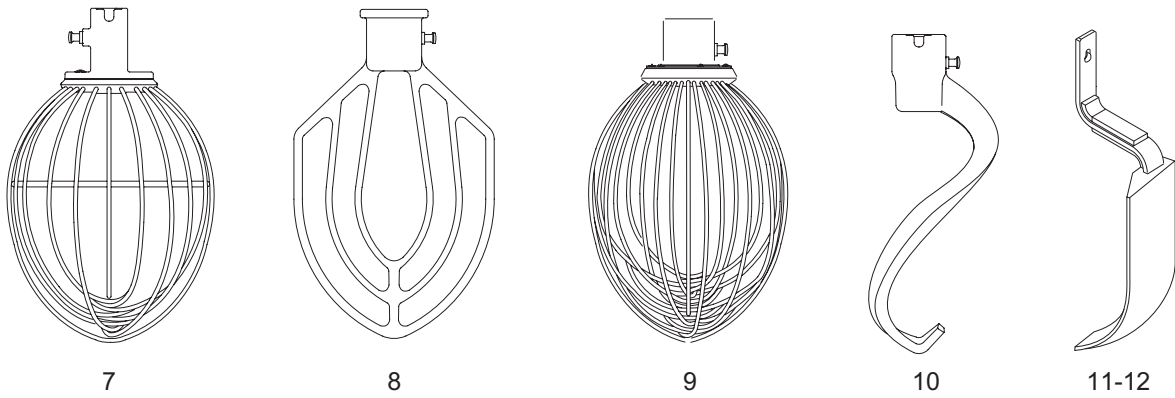
BOWL GUARD

BOWL GUARD

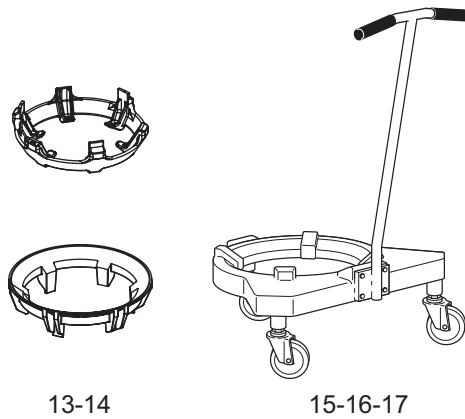
ILLUS.	PART NO.	NAME OF PART	AMT.
PL-58173			
1	00-916155-00001	Wire – Cage (ML-134319 & ML-134357).....	1
2	00-874953-00001	Wire – Cage (ML-134320 & ML-134335).....	1
3	00-916489-00001	Wire – Cage (ML-134326 & ML-134356).....	1
4	00-916300-00001	Wire – Cage (ML-134330 & ML-134336).....	1
5	SC-122-45	Mach. Screw 1/4-20 x 3/8 Slotted Truss Hd.....	2
6	SC-123-07	Mach. Screw 8-32 x 1/2 Slotted Truss Hd.....	1
7	00-437433-00003	Shoe – Fixed.....	1
8	00-437720	Key – Shoe.....	1
9	00-438055	Bumper – Cage.....	1
10	SC-122-44	Mach. Screw 8-32 x 3/8 Slotted Truss Hd.....	2
11	00-437433-00002	Shoe – Adjustable.....	1
12	00-437442	Retainer – Magnet.....	1
13	00-111941	Magnet.....	1
14	SC-122-45	Mach. Screw 1/4-20 x 3/8 Slotted Truss Hd.....	2
15	SC-122-44	Mach. Screw 8-32 x 3/8 Slotted Truss Hd.....	2
16	SC-122-45	Mach. Screw 1/4-20 x 3/8 Slotted Truss Hd.....	2
17	00-875795	Stop – Cage.....	1
18	00-874126	Shoe – Front.....	1
19	00-916152	Guard – Splash & Drip (ML-134319, ML-134326, ML-134356, & ML-134357).....	1
20	00-874951	Guard – Splash & Drip (ML-134320, ML-134330, ML-134335, & ML-134336).....	1
21	SC-021-37	Mach. Screw 1/4-20 x 3/8 Slotted Rd. Hd. (SST) (ML-134320, ML-134330, ML-134335, & ML-134336).....	3
22	SC-021-39	Mach. Screw 1/4-20 x 5/8 Slotted Rd. Hd. (SST) (ML-134319, ML-134326, ML-134356, & ML-134357).....	3
	00-916151-00001	Cage & Splash Guard (Incls. Items 1 & 5 thru 19) (ML-134319 & ML-134357).....	1
	00-916380-00001	Cage & Splash Guard (Incls. Items 3 & 5 thru 19) (ML-134326 & ML-134356).....	1
	00-916274	Cage & Splash Guard (Incls. Items 2, 5 thru 18, & 20) (ML-134320 & ML-134335).....	1
	00-916298	Cage & Splash Guard (Incls. Items 4 thru 18 & 20) (ML-134330 & ML-134336).....	1



40-QUART AGITATORS



60-QUART AGITATORS



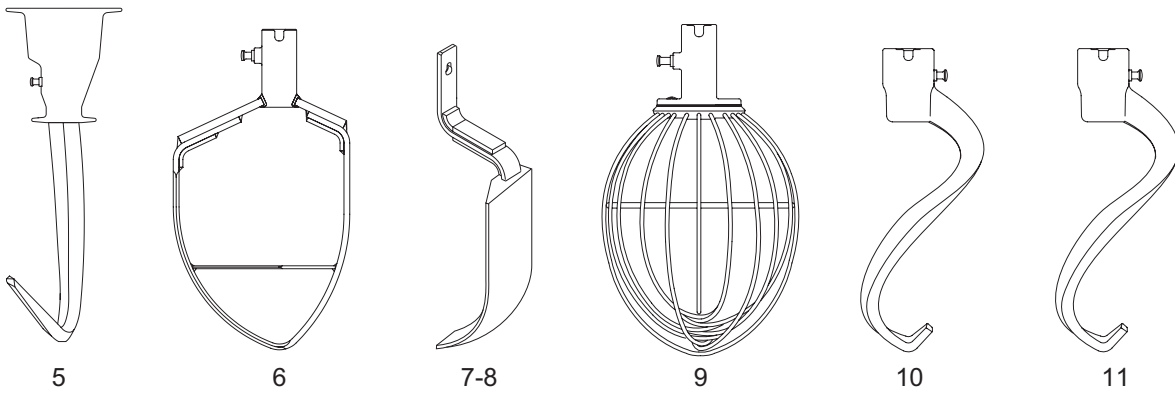
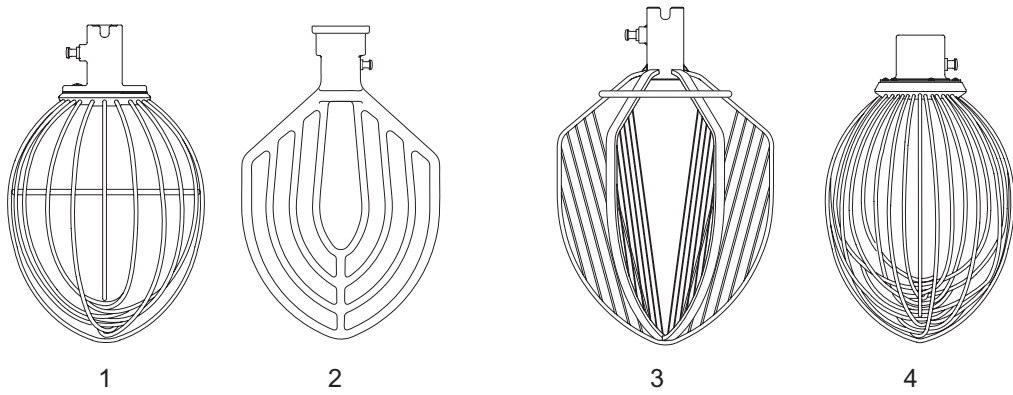
BOWL TRUCK

PL-57887

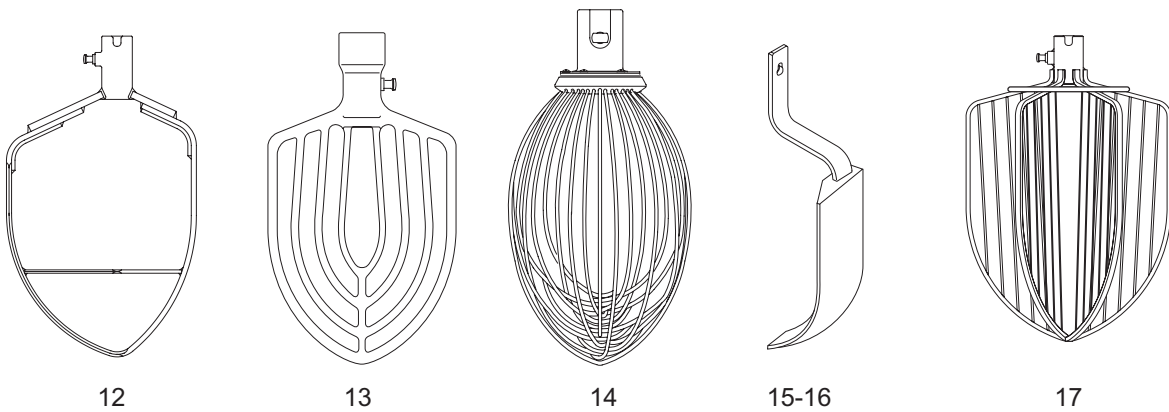
AGITATORS AND ACCESSORIES (40 & 60 QUART)

AGITATORS AND ACCESSORIES (40 & 60 QUART)

ILLUS. PL-57887	PART NO.	NAME OF PART	AMT.
1	00-916321	"I" Wire Whip (40 Quart) (Packaged).....	1
2	00-916316	"ED" Dough Arm (40 Quart) (Packaged).....	1
3	00-916313	"B" Flat Beater (40 Quart) (Packaged).....	1
4	00-916319	"D" Wire Whip (40 Quart) (Packaged).....	1
5	00-874268	Bowl Scraper (40 Quart) (Packaged) (Incls. Item 6).....	1
6	00-435637-00004	Bowl Scraper	1
7	00-916268	"I" Wire Whip (60 Quart) (Packaged).....	1
8	00-916257	"B" Flat Beater (60 Quart) (Packaged).....	1
9	00-916265	"D" Wire Whip (60 Quart) (Packaged).....	1
10	00-916260	"ED" Dough Arm (60 Quart) (Packaged).....	1
11	00-874267	Bowl Scraper (60 Quart) (Packaged) (Incls. Item 12).....	1
12	00-435637-00001	Bowl Scraper	1
13	00-916493	Bowl Truck Adapter (60-80-140 Quart).....	1
14	00-916495	Bowl Truck Adapter (40-60 Quart).....	1
15	00-873307	Bowl Truck (Packaged) (HL800 Series).....	1
16	00-873308	Bowl Truck (Packaged) (HL1400 Series).....	1
17	00-874288	Caster – Bowl Truck.....	3
	00-438047	Ingredient Chute (Packaged).....	1



80-QUART AGITATORS



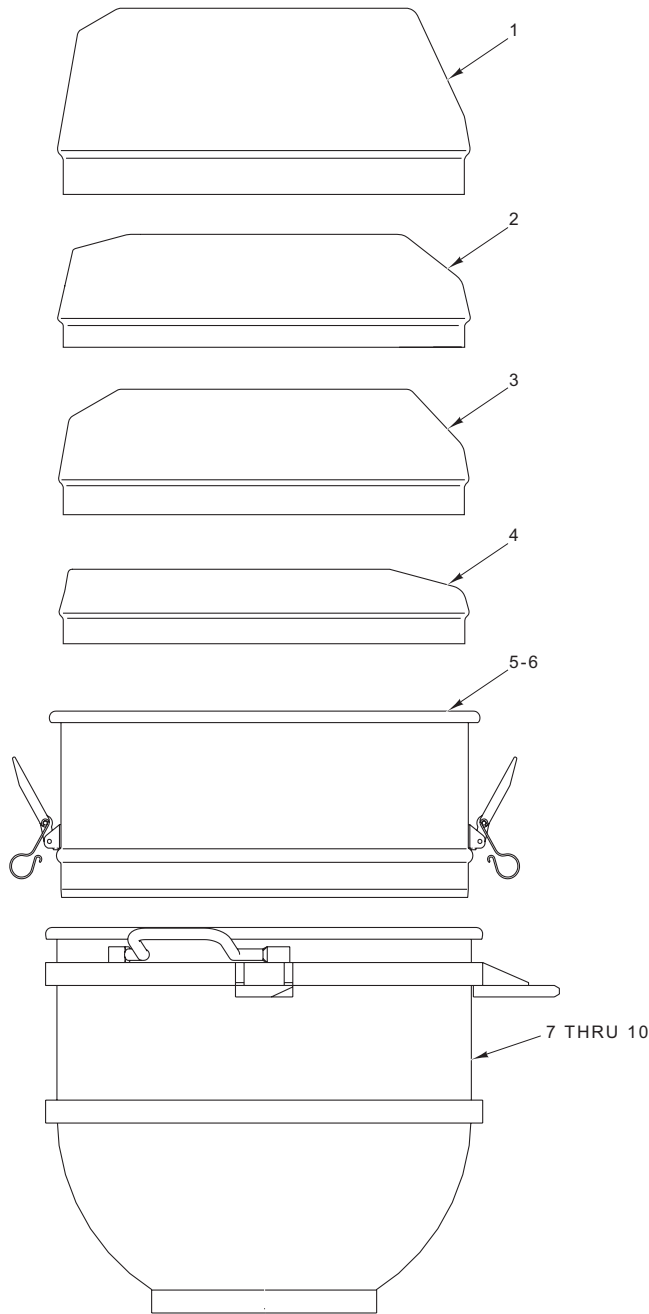
140-QUART AGITATORS

PL-57888

AGITATORS AND ACCESSORIES (80 & 140 QUART)

AGITATORS AND ACCESSORIES (80 & 140 QUART)

ILLUS.	PART NO.	NAME OF PART	AMT.
PL-57888			
1	00-875931	"I" Wire Whip (80 Quart) (Packaged).....	1
2	00-874654	"B" Beater (80 Quart) (Packaged).....	1
3	00-875946	"C" Wire Whip (80 Quart) (Packaged)	1
4	00-875866	"D" Wire Whip (80 Quart) (Packaged)	1
5	00-874647	"ED" Dough Arm (80 Quart) (Packaged).....	1
6	00-875914	Pastry Knife (80 Quart) (Packaged).....	1
7	00-874700	Bowl Scraper (80 Quart) (Packaged) (Incls. Item 8).....	1
8	00-435637-00002	Bowl Scraper	1
9	00-875929	"I" Wire Whip (140 Quart) (Packaged)	1
10	00-875847	"ED" Dough Arm (140 Quart) (Packaged).....	1
11	00-916316	"ED" Dough Arm (140 Quart) (Packaged).....	1
12	00-875906	Pastry Knife (140 Quart) (Packaged).....	1
13	00-874409	"B" Flat Beater (140 Quart) (Packaged).....	1
14	00-875863	"D" Wire Whip (140 Quart) (Packaged)	1
15	00-874699	Bowl Scraper (140 Quart) (Packaged) (Incls. Item 16).....	1
16	00-435637-00003	Bowl Scraper	1
17	00-875938	"C" Wire Whip (140 Quart) (Packaged)	1



PL-57889

BOWL AND EXTENSIONS

ILLUS.	PART NO.	NAME OF PART	AMT.
PL-57889			
1	00-438081	Cover – Splash (40 Quart) (Packaged)	1
2	00-438082	Cover – Splash (60 Quart) (Packaged)	1
3	00-438083	Cover – Splash (80 Quart) (Packaged)	1
4	00-438084	Cover – Splash (140 Quart) (Packaged)	1
5	00-438104-00004	Bowl Extension Assy (60 Quart) (Packaged)	1
6	00-438104-00002	Bowl Extension Assy (80 Quart) (Packaged)	1
7	00-916175	Bowl Assy. (40 Quart) (Packaged)	1
8	00-916174	Bowl Assy. (60 Quart) (Packaged)	1
9	00-875846	Bowl Assy. (80 Quart) (Packaged)	1
10	00-875845	Bowl Assy. (140 Quart) (SST) (Packaged)	1