



# CATALOG OF REPLACEMENT PARTS



## Legacy Mixer Series

HL120	ML-134296
HL120	ML-134459
HL200	ML-134289
HL200	ML-134331
HL200	ML-134455
HL200	ML-134457
HL200	ML-134458
HL200C	ML-134456

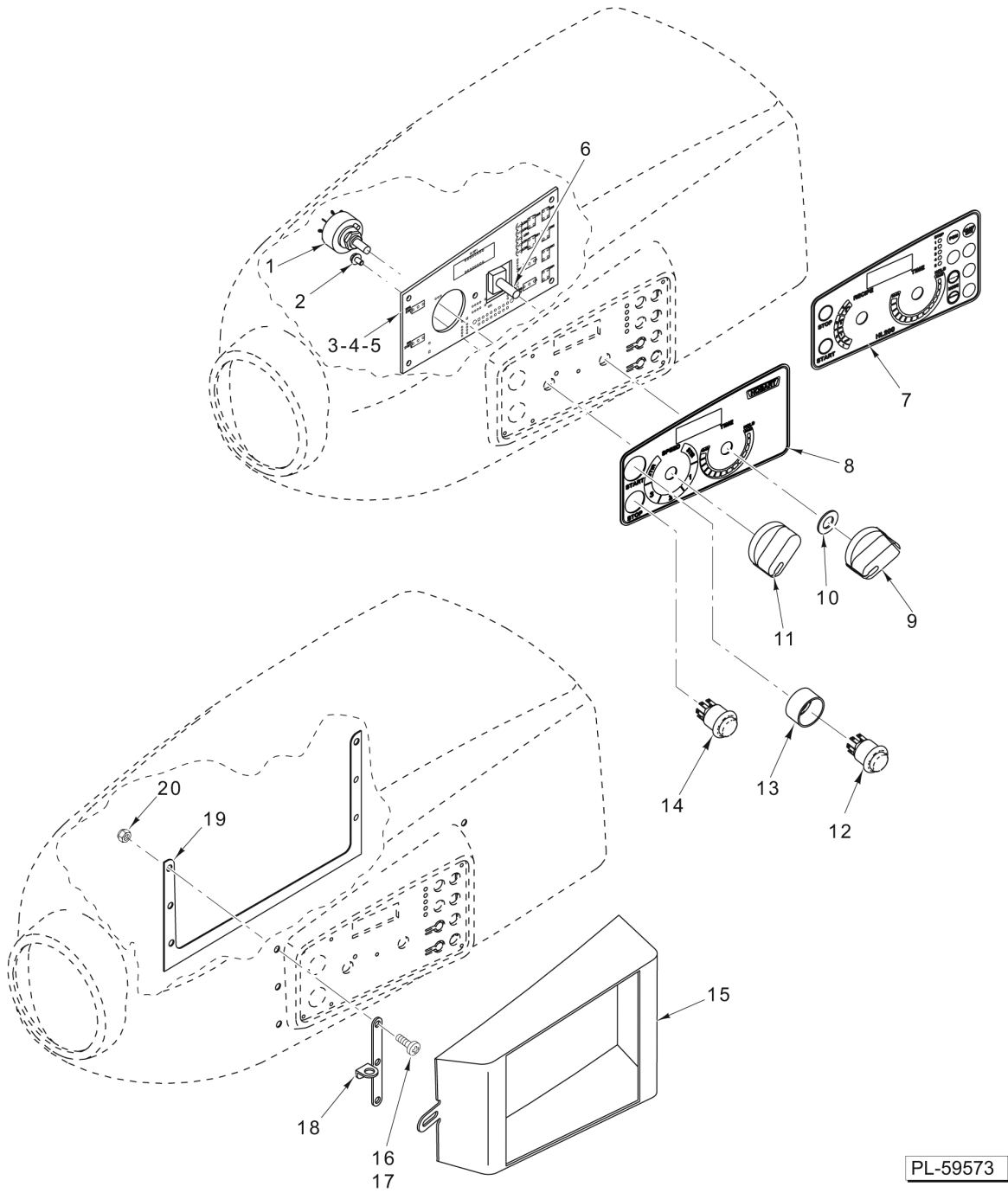
### PREVIOUS ML'S IN THIS MANUAL

HL200	ML-134308
HL200C	ML-134312



### Table of Contents

5	CONTROL PANEL
7	ELECTRICAL COMPONENTS
9	ATTACHMENT HUB
11	BASE AND PEDESTAL
13	FLOOR BASE AND PEDESTAL (ML-134308, ML-134331 & ML-134458)
15	BOWL SUPPORT
17	TRANSMISSION CASE AND MOTOR
19	TRANSMISSION
21	PLANETARY (PREVIOUS CONSTRUCTION)
23	PLANETARY (CURRENT CONSTRUCTION) (UNITS BUILT ON OR AFTER SERIAL #31-1386989)
25	BOWL AND BOWL GUARD
27	AGITATORS AND ACCESSORIES
29	MIXER TABLE (ML-134299)
31	WIRING HARNESS (1)
33	WIRING HARNESS (2)



PL-59573

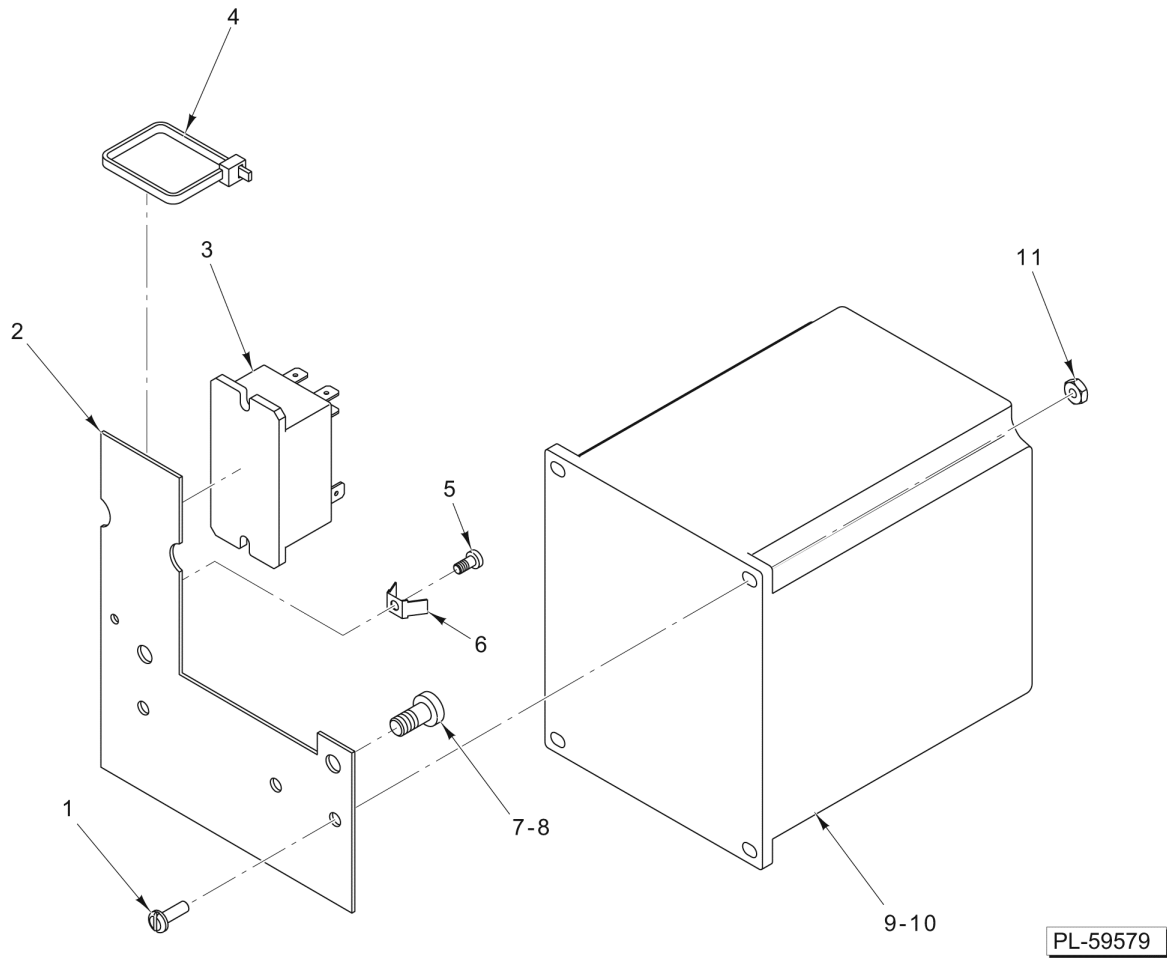
### CONTROL PANEL

## CONTROL PANEL

ILLUS.	PART NO.	NAME OF PART	AMT.
<b>PL-59573</b>			
*1	00-937061	Switch - Speed Selector Assy. (6-Position).....	1
2	SD-039-23	Self-Tapping Screw 6-32 x 1/4 Hex Washer Hd., Type RL.....	5
3	00-917212	PCB Assy. (Standard Timer With 1 Stir Position & integral start and stop switches) .....	1
**4	00-917213	PCB Assy.....	1
5	00-937135	PCB Assy. (Standard Timer With 2 Stir Positions & Replaceable Start and Stop Switch).....	1
6	00-916594	Potentiometer Assy. (Off Board Units Built On Or After Serial #311398234).....	1
7	00-874811	Overlay (HL200) (Recipe Timer Using 4-Position Speed Selector).....	1
*8	00-937071	Overlay (6-Position Speed Selector Switch).....	1
9	00-874809	Knob.....	1
10	WS-031-55	Washer.....	1
11	00-874809	Knob.....	1
12	00-916593	Switch - Sealed Dome.....	1
13	00-916958-00002	Guard - Switch.....	1
14	00-916592	Switch - Sealed Dome.....	1
15	00-874921	Cover - Weldment (ML-134312 & ML-134456).....	1
16	SC-128-62	Mach. Screw 10-24 x 1/2 Tx. Button Hd. (ML-134312 & ML-134456).....	6
17	00-042648	Insert - Threaded.....	6
18	00-874923	Latch (ML-134312 & ML-134456).....	1
19	00-874931	Plate - Backer (ML-134312 & ML-134456).....	1
20	NS-038-13	Lock Nut 10-24 Hex (ML-134312 & ML-134456).....	6

\* Order cover control upgrade **00-913103** when replacing 4-position speed selector switch, standard timer with on board potentiometer, or standard timer overlay with 4-position speed selector. All used on HL120 units built before serial #311398203, and HL200 units built before serial #311422459.

\*\* Order recipe timer assembly **00-913102-00103** when replacing recipe timer with on board potentiometer.

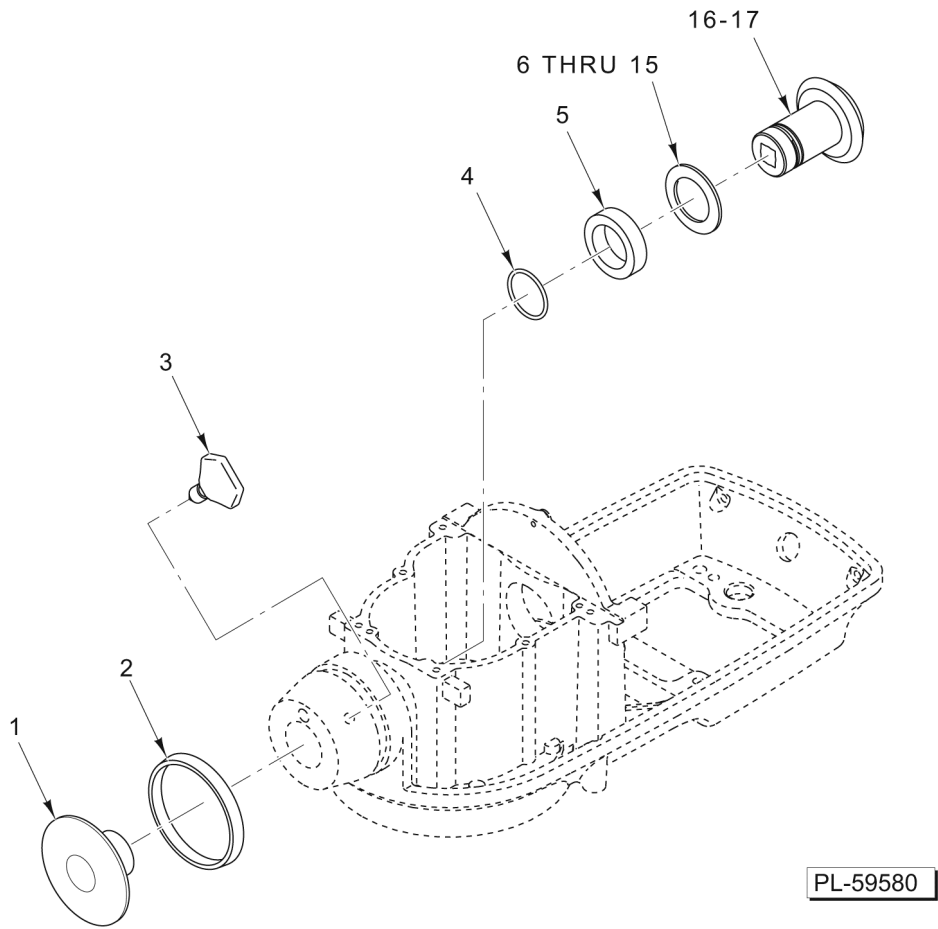


## ELECTRICAL COMPONENTS

**ELECTRICAL COMPONENTS**

ILLUS.	PART NO.	NAME OF PART	AMT.
PL-59579			
1	SC-018-38	Mach. Screw 8-32 x 1/2 Slotted Pan Hd.....	2
2	00-874763	Bracket - Controller.....	1
3	00-087714-042-5	Relay (2-Pole, 30 Amp.).....	1
4	00-113703	Tie - Cable (8 In.).....	1
5	SD-015-37	Self-Tapping Screw 6-32 x 1/4 Phil. Pan Hd., Type TT.....	1
6	00-065890-00090	Terminal (2-Tab).....	1
7	SC-114-80	Mach. Screw 1/4-20 x 3/8 Slotted Pan Hd.....	2
8	SC-100-08	Mach. Screw 1/4-20 x 3/8 Hex Washer Hd.....	2
*9	00-916893	Controller - Low voltage (100 - 120V/50/60/1 Controller - Low Voltage (100-120 V., 50-60 Hz., 1Ph.).....	1
**10	00-916894	Controller - High Voltage (200-240 V., 50-60 Hz., 1Ph.).....	1
11	NS-009-12	Nut 8-32 Hex.....	2

\* Order controller assembly 00-913102-00099 when replacing low voltage controller with pin type harness connections.  
 \*\* Order controller assembly 00-913102-00100 when replacing high voltage controller with pin type harness connections.

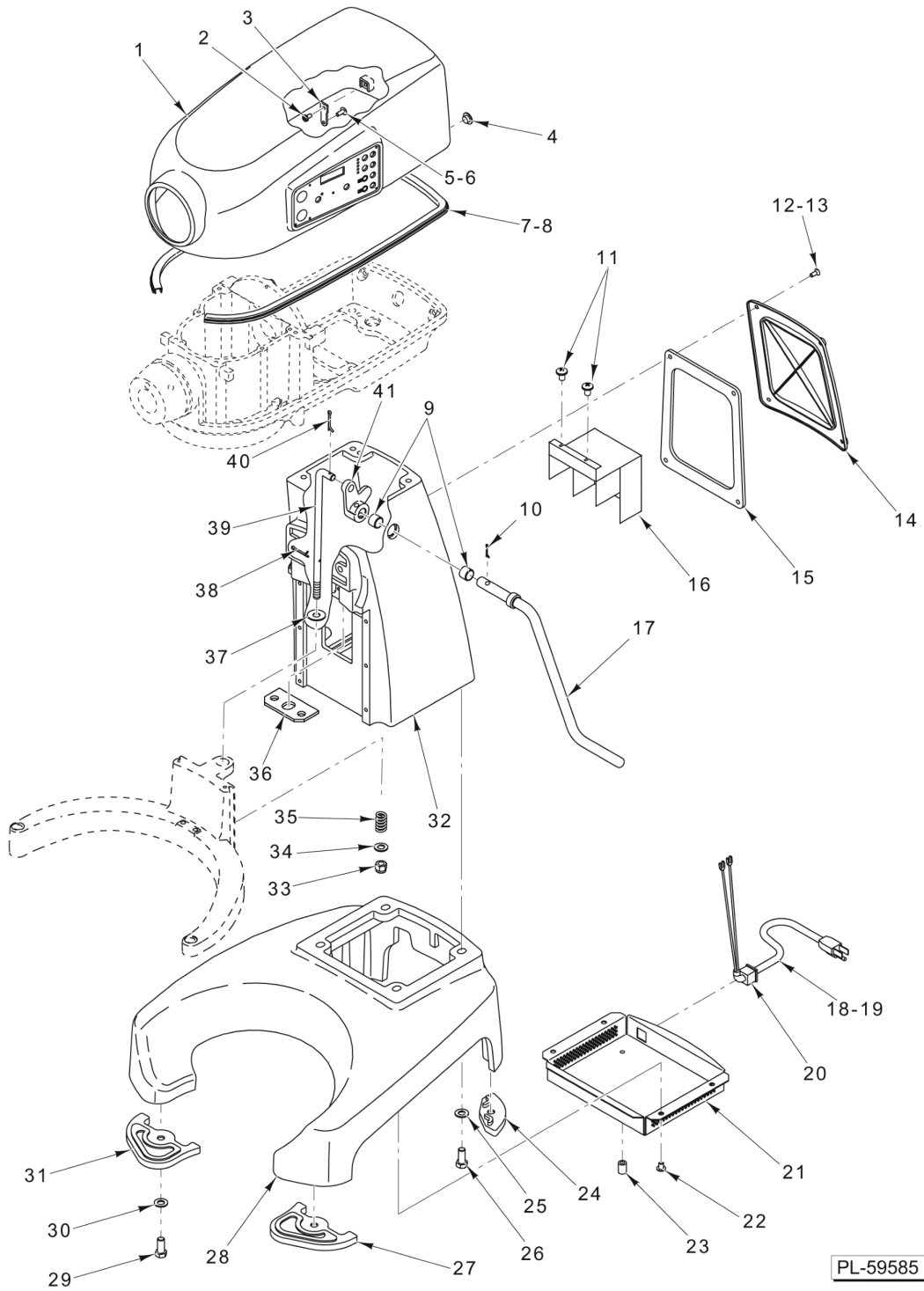


PL-59580

### ATTACHMENT HUB

**ATTACHMENT HUB**

ILLUS.	PART NO.	NAME OF PART	AMT.
PL-59580			
1	00-917221	Plug - Attachment.....	1
2	00-937329-00003	Seal - Neoprene.....	1
3	00-108197-00001	Screw - Thumb 11/8.....	1
4	OR-001-03	O-Ring - Quad.....	1
5	00-874837	Spacer.....	1
6	00-012746-00005	Washer - Thrust (0.080).....	AR
7	00-012746-00006	Washer - Thrust (0.106).....	AR
8	00-012746-00007	Washer - Thrust (0.092).....	AR
9	00-012746-00008	Washer - Thrust (0.086).....	AR
10	00-012746-00009	Washer - Thrust (0.098).....	AR
11	00-012746-00010	Washer - Thrust (0.112).....	AR
12	00-012746-00012	Washer - Thrust (0.119).....	AR
13	00-012746-00013	Washer - Thrust (0.121).....	AR
14	00-012746-00016	Washer - Thrust (0.129).....	AR
15	00-012746-00019	Washer - Thrust (0.115).....	AR
16	00-435065-00002	Bevel Gear Seal Assy. (Incls. Item 17).....	1
17	PL-003-17	Plug - Expansion.....	1

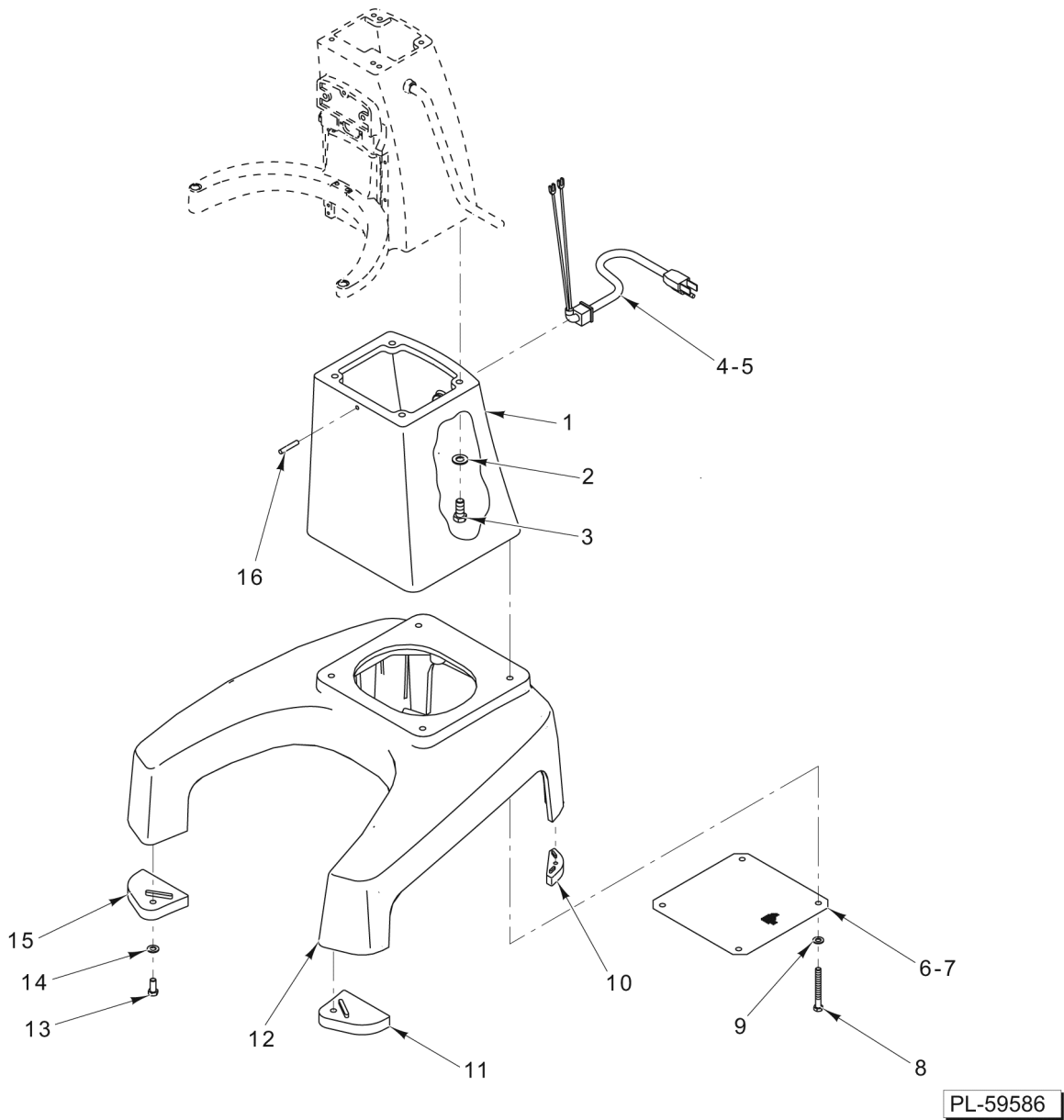


### BASE AND PEDESTAL

## BASE AND PEDESTAL

ILLUS.	PART NO.	NAME OF PART	AMT.
PL-59585			
*1	00-913103-00002	Cover Assy.....	1
2	SD-024-38	Self-Tapping Screw 10-24 x 3/8 Slotted Pan Hd., Type TT.....	2
3	00-874829	Tab - Cover Mounting.....	2
4	00-874857	Plug - Hole.....	1
5	SC-066-20	Mach. Screw 10-32 x 1/2 Phil. Truss Hd. (SST).....	2
6	SC-128-81	Mach. Screw 10-32 x 1/2 Tx. Button Hd. (ML-134456).....	2
7	00-937329-00001	Seal - Neoprene.....	1
8	00-937329-00002	Seal - Neoprene.....	1
9	00-479510	Bushing - Bowl Lift.....	2
10	PS-004-15	Pin - Spirol (1/4).....	1
11	SC-123-98	Mach. Screw M4 x 0.7 x 6mm Phil. Pan Hd.....	2
12	SC-023-10	Mach. Screw 10-24 x 3/4 Slotted Oval Hd. (SST).....	4
13	SC-131-27	Mach. Screw 10-24 x 3/4 Tx. Flat. Hd. (SST) (ML-134456).....	4
14	00-917231	Cover - Pedestal (Back).....	1
15	00-937202-00001	Seal - Neoprene Pedestal Cover.....	1
16	00-937204	Barrier - Drive Shield.....	1
17	00-874745-00002	Handle & Bushing - Bowl Lift.....	1
18	00-874833-00001	Cord, Plug, & Strain Relief (120 V.).....	1
19	00-874833-00002	Cord, Plug, & Strain Relief (220 V.).....	1
20	FE-026-34	Relief - Strain (Electrical).....	1
21	00-874760	Cover - Controller.....	1
22	SC-114-80	Mach. Screw 1/4-20 x 3/8 Phil. Pan Hd.....	4
23	FE-026-43	Plug - Button.....	1
24	00-874879	Pad - Rear.....	2
25	WS-018-24	Washer.....	4
26	SC-118-11	Cap Screw 3/8-16 x 7/8 Hex Hd.....	4
27	00-874896	Pad - Front (RH).....	1
28	00-874720-00002	Base.....	1
29	SC-118-12	Cap Screw 3/8-16 x 3/4 Hex Hd.....	4
30	WS-018-34	Washer.....	4
31	00-874878	Pad - Front (LH).....	1
32	00-874723-00002	Pedestal.....	1
33	NS-036-15	Stop Nut 3/8-24 Special.....	1
34	WS-006-26	Washer.....	1
35	00-012782	Spring.....	1
36	00-874870	Plate - Spring Bowl Yoke.....	1
37	WS-006-26	Washer.....	1
38	PC-003-55	Cotter Pin 1/8.....	1
39	00-874748	Rod - Bowl Lift.....	1
40	PC-003-55	Cotter Pin 1/8.....	1
41	00-874756	Arm - Bowl Lift.....	1
	00-917167	Barrier - Steam (Foam Type Obsolete).....	1
	00-539847	Tie - Cable.....	AR

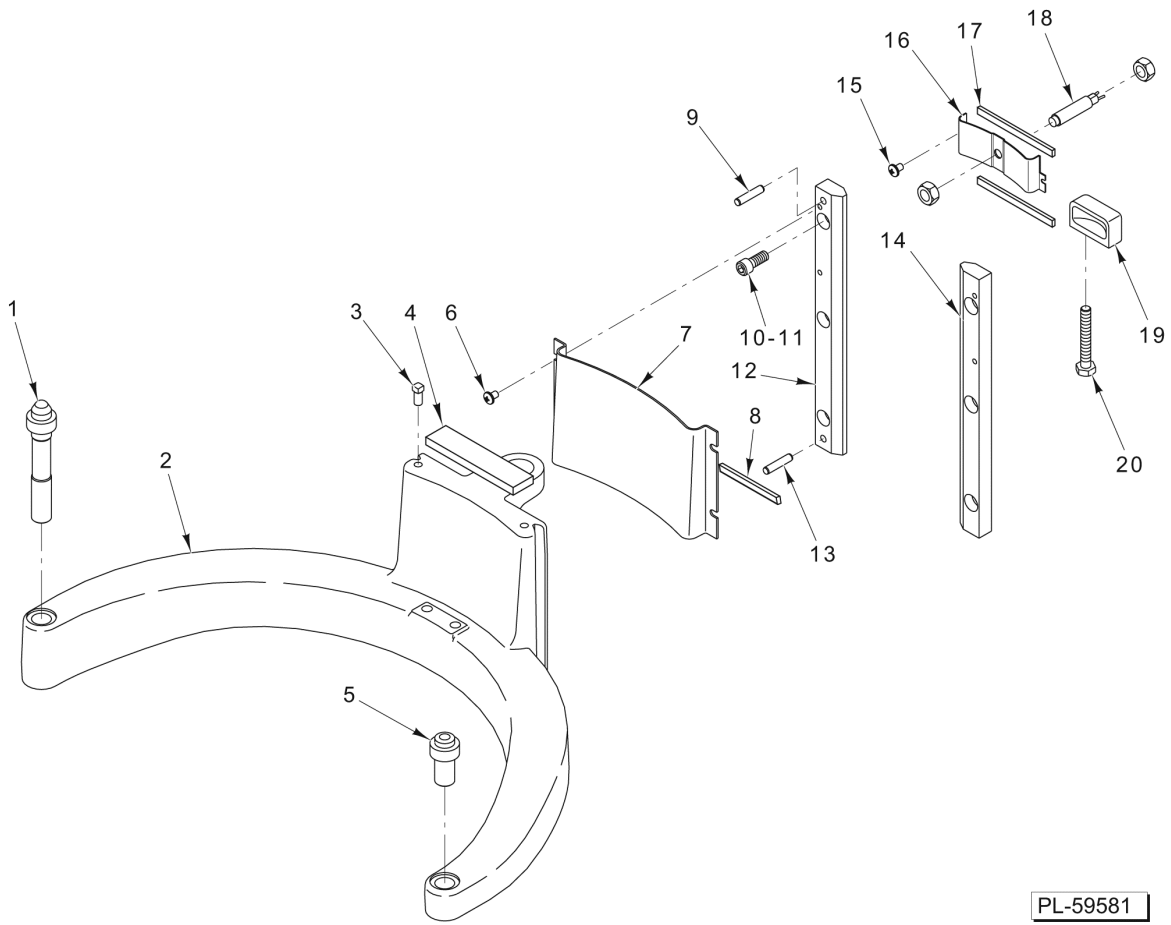
\* Order cover control upgrade [00-913103](#) when replacing a cover on any machine that has 4-position speed selector switch. This upgrade will convert machines with recipe timers to a standard timer. Recipe timer option is no longer available.



**FLOOR BASE AND PEDESTAL  
(ML-134308, ML-134331 & ML-134458)**

**FLOOR BASE AND PEDESTAL  
(ML-134308, ML-134331 & ML-134458)**

ILLUS.	PART NO.	NAME OF PART	AMT.
PL-59586			
1	00-916548-00002	Block - Riser.....	1
2	WS-018-24	Washer.....	4
3	SC-118-10	Cap Screw 3/8-16 x 1 Hex Hd.....	4
4	00-874833-00001	Cord & Plug Assy. (120 V.).....	1
5	00-874833-00002	Cord & Plug Assy. (220 V.).....	1
6	00-916330	Screen - Air Floor (Previous Construction).....	1
7	00-916549	Screen - Air Floor (Current Construction).....	1
8	SC-124-91	Cap Screw 3/8-16 x 2-1/2 Hex Hd.....	4
9	WS-018-24	Washer.....	4
10	00-916309	Pad - Rear.....	2
11	00-916308	Pad - Front (RH).....	1
12	00-916213-00004	Base.....	1
13	SC-118-12	Cap Screw 3/8-16 x 3/4 Hex Hd.....	4
14	WS-018-34	Washer.....	4
15	00-916307	Pad - Front (LH).....	1
16	PG-005-25	Pin - Grooved.....	1

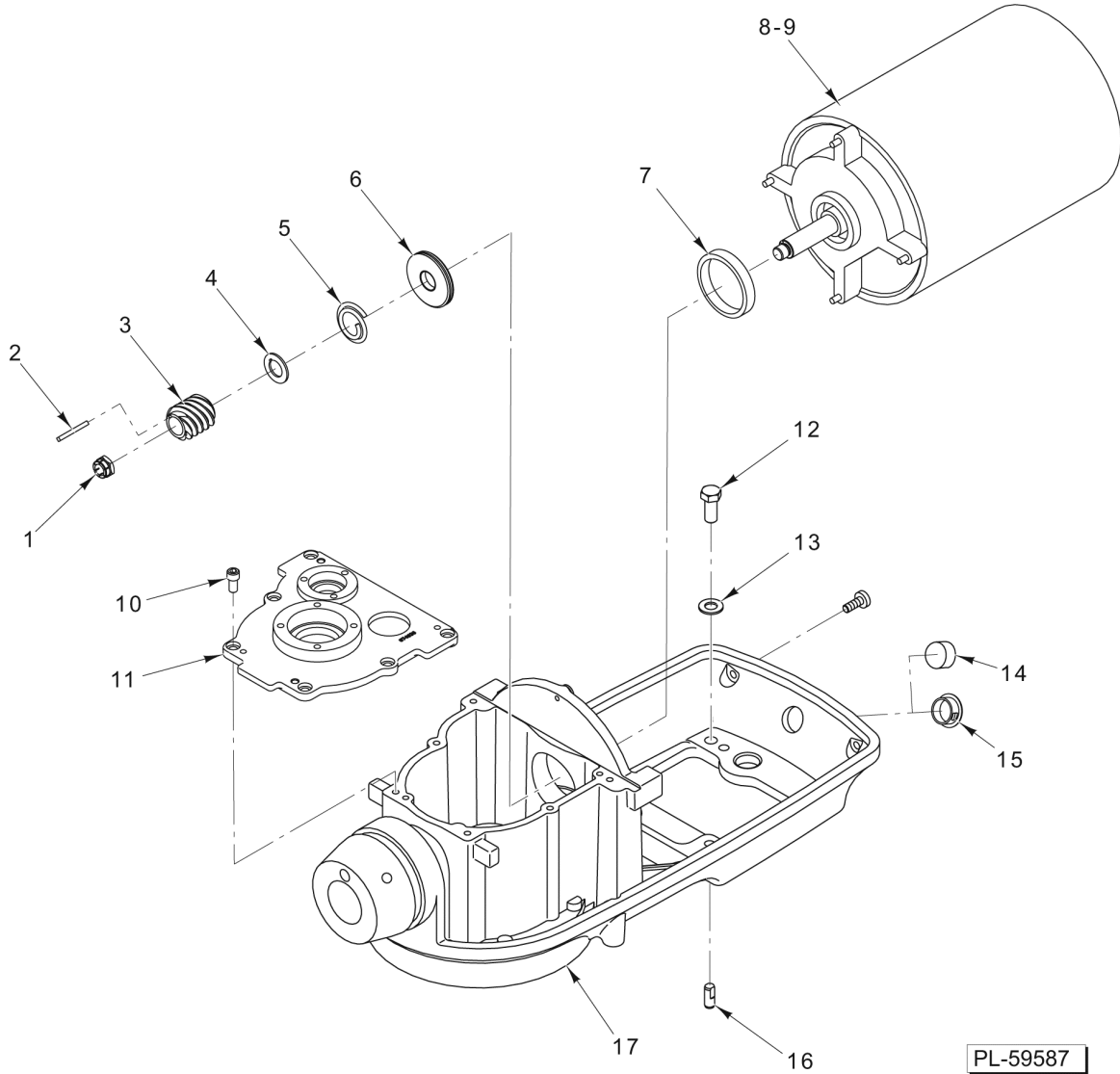


PL-59581

### BOWL SUPPORT

**BOWL SUPPORT**

ILLUS.	PART NO.	NAME OF PART	AMT.
PL-59581			
1	00-874726	Pin - Bowl (LH).....	1
2	00-874841-00002	Support - Bowl.....	1
3	SC-129-22	Set Screw 1/4-20 x 1/4 Sq. Hd. Cup Pt.....	2
4	00-937203	Seal - Neoprene.....	1
5	00-874727	Pin - Bowl (RH).....	1
6	SC-122-59	Mach. Screw 8-32 x 1/4 Phil. Pan Hd. (SST).....	4
7	00-874742	Apron.....	1
8	00-937202-00003	Seal - Neoprene Apron.....	1
9	00-011800-00187	Dowel.....	2
10	SC-089-02	Cap Screw 1/4-20 x 3/4 Hex Socket Hd.....	6
11	SC-128-73	Mach. Screw 8-32 x 1/4 Tx. Button Hd. (SST) (ML-134456).....	6
12	00-874738-00001	Slideway - Bowl Lift (LH).....	1
13	00-011800-00187	Dowel.....	1
14	00-874738-00002	Slideway - Bowl Lift (RH).....	1
15	SC-122-59	Mach. Screw 8-32 x 1/4 Phil. Pan Hd. (SST).....	2
16	00-937323	Cover - Bowl Interlock.....	1
17	00-937202-00002	Seal - Neoprene Control Cover.....	2
18	00-087711-00352	Switch - Reed.....	1
19	00-874842	Hold Down - Bowl (Rear).....	1
20	SC-062-69	Cap Screw 1/4-20 x 1-3/4 Hex Hd.....	2
	PB-004-97	Cap.....	4



PL-59587

### TRANSMISSION CASE AND MOTOR

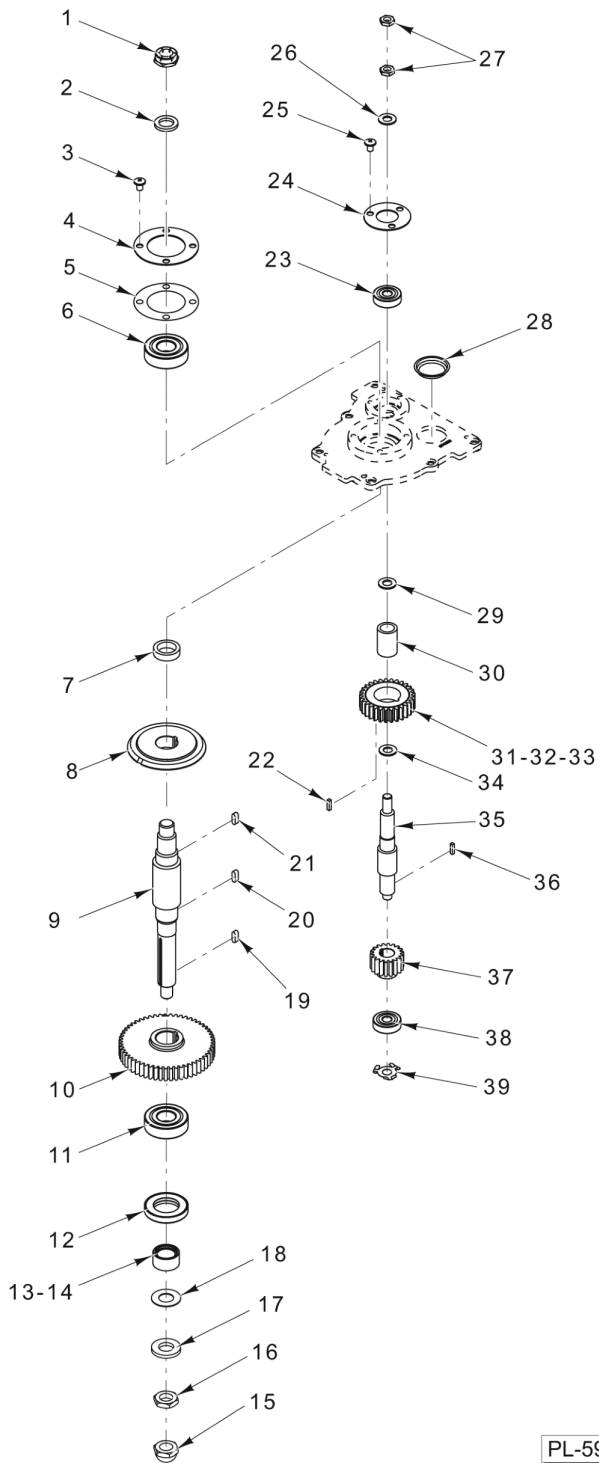
## TRANSMISSION CASE AND MOTOR

ILLUS.	PART NO.	NAME OF PART	AMT.
PL-59587			
1	NS-032-23	Lock Nut 7/16-20 Special.....	1
2	00-012430-00004	Key 1/8 x 1/8 x 11/4.....	1
3	00-291221	Worm - Gear 60 Cycle.....	1
4	00-012754	Washer.....	1
5	00-012757	Absorber - Shock Spring.....	1
6	00-874820	Deflector - Grease (LH).....	1
7	00-916445	Bushing - Motor Mounting (ML-134455, ML-134456, ML-134457, ML-134458, & ML-134459).....	1
*8	00-917810	Motor (Low Voltage Only 100-120 V., 50-60 Hz., 1 Ph.).....	1
9	00-874634	Motor.....	1
10	SC-089-01	Cap Screw 1/4-20 x 1/2 Hex Socket Hd.....	6
11	00-874755	Cover - Transmission.....	1
12	SC-118-11	Cap Screw 3/8-16 x 7/8 Hex Hd.....	4
13	WS-018-24	Washer.....	4
14	00-874876	Plug - Cupped Expansion (Brass).....	1
15	00-874857	Plug.....	1
16	00-270776	Dowel.....	2
**17	00-917805-00002	Transmission Case - Lower .....	1
***	00-917983	Shield - Mylar .....	1
***	00-438131-00187	Label - Warning .....	1
***	SD-039-23	Self-Tapping Screw 6-32 x 1/4 Hex Washer Hd. ....	2

\* (ML-134455, ML-134456, ML-134457, ML-134458, & ML-134459)

\*\* (Low Voltage Only 100-120 V., 50-60 Hz., 1 Ph.) (ML-134455, ML-134456, ML-134457, ML-134458, & ML-134459) -- Order transmission case 00-917805-00002 and bushing 00-916445 when replacing transmission case on all units except (ML-134455, ML-134456, ML-134457, ML-134458, & ML-134459) (Low Voltage Only 100-120 V., 50-60 Hz., 1 Ph.). -- (Low Voltage Only 100-120 V., 50-60 Hz., 1 Ph.) (ML-134455, ML-134456, ML-134457, ML-134458, & ML-134459)

\*\*\* (Low Voltage Only 100-120 V., 50-60 Hz., 1 Ph.) (ML-134455, ML-134456, ML-134457, ML-134458, & ML-134459)



PL-59588

### TRANSMISSION

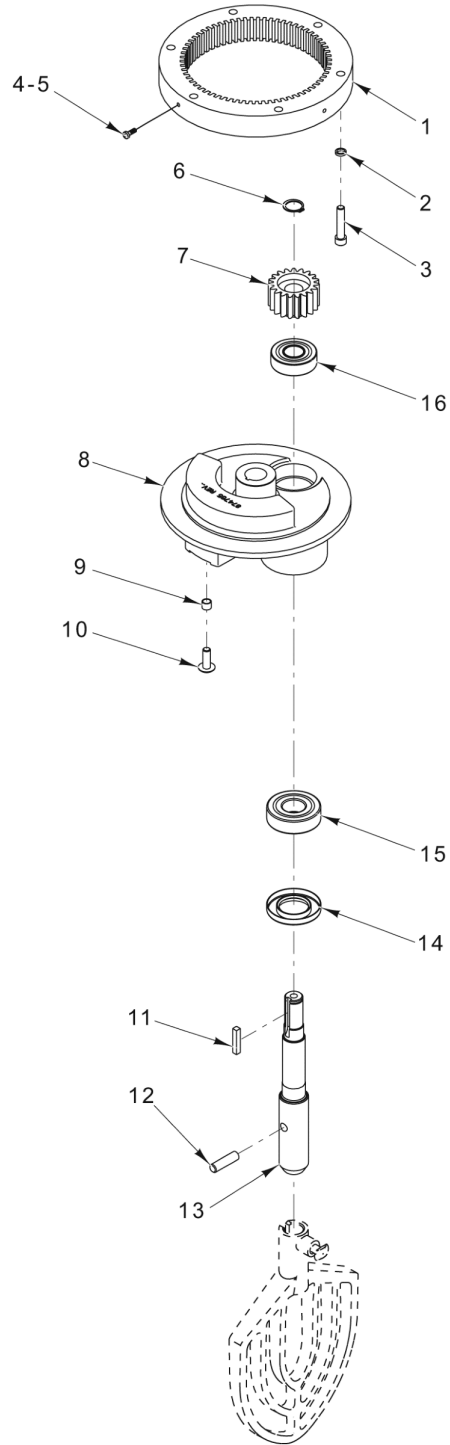
## TRANSMISSION

ILLUS.	PART NO.	NAME OF PART	AMT.
PL-59588			
1	NS-032-37	Lock Nut 5/8-18 Special.....	1
2	WS-031-41	Washer.....	1
3	SC-089-01	Cap Screw 1/4-20 x 1/2 Hex Socket Hd.....	4
4	00-874787	Retainer - Planetary Bearing.....	1
5	00-874795	Gasket - Bearing.....	1
6	BB-005-34	Bearing - Ball.....	1
7	00-874793	Spacer - Planetary.....	1
8	00-124733-00002	Gear - Bevel (46T, 14P).....	1
9	00-874635	Shaft - Planetary.....	1
10	00-874778	Gear (55T, 14P).....	1
11	BB-020-06	Bearing - Ball Fafnir 204K.....	1
12	00-114695	Seal - Oil.....	1
13	00-437342	Spacer - Bearing.....	1
14	00-067500-00078	O-Ring.....	1
15	00-024715-00003	Acorn Nut 1/2-20.....	1
16	00-010928-00002	Nut.....	1
17	WS-030-83	Washer.....	1
18	00-124946	Washer 1/32.....	1
19	00-012430-00017	Key 1/8 x 1/8 x 27/16.....	1
20	00-874873-00002	Key.....	1
21	00-874873-00001	Key.....	1
22	00-012430-00024	Key 1/8 x 1/8 x 1-1/2.....	1
23	BB-005-02	Bearing - Ball.....	1
24	00-874788	Retainer - Bearing.....	1
25	SC-089-01	Cap Screw 1/4-20 x 1/2 Hex Socket Hd.....	3
26	WS-006-36	Washer.....	1
27	00-012710	Nut - Retaining.....	2
28	00-064871	Plug - Friction.....	1
29	WS-006-26	Washer.....	1
*30	00-916962	Spacer - Gear.....	1
**31	00-917797	Gear - Worm (Low Voltage Only 100-120 V, 50-60 Hz., 1 Ph.) .....	1
32	00-874934	Gear - Worm (Low Voltage Only 100-120 V, 50-60 Hz., 1 Ph.) (ML-134296, ML-134331, & ML-134289).....	1
***33	00-124751-00003	Worm Wheel & Bushing Assy. ....	1
***34	WS-010-36	Washer.....	1
*35	00-916961	Shaft - Worm Wheel.....	1
36	00-012430-00024	Key 1/8 x 1/8 x 1-1/2.....	1
37	00-874777	Gear (18T, 14P).....	1
38	BB-005-01	Bearing - Ball.....	1
39	SL-002-08	Spring - Loading.....	1

\* Order shaft & worm wheel assembly 00-913102-00101 when replacing these parts on HL120 units built before serial #311371184, and HL200 units built before serial #311370192.

\*\* (ML-134455, ML-134456, ML-134457, ML-134458, & ML-134459)

\*\*\* (HL120 Units Built Before Serial #311371184 and HL200 Units Built Before Serial #311370192)



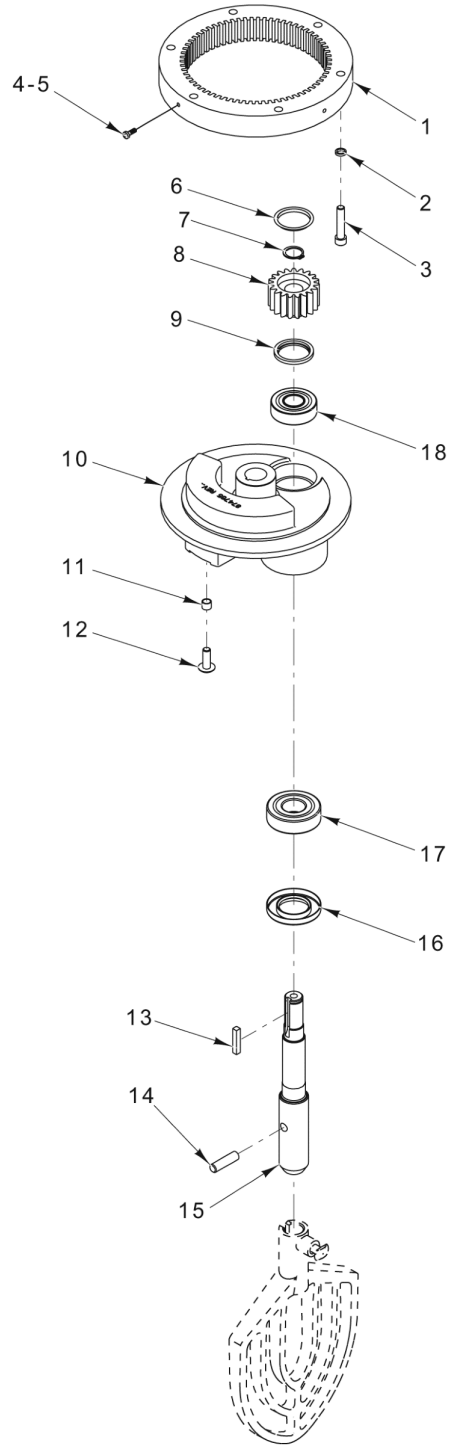
PL-59621

**PLANETARY  
(PREVIOUS CONSTRUCTION)**

**PLANETARY  
(PREVIOUS CONSTRUCTION)**

ILLUS. PL-59621	PART NO.	NAME OF PART	AMT.
1	00-438524-00002	Gear - Internal.....	1
2	WL-003-35	Lockwasher 1/4 Helical.....	6
3	SC-040-09	Cap Screw 1/4-20 x 1 1/4 Hex Socket Hd.....	6
4	SC-066-13	Mach. Screw 8-32 x 1/4 Phil. Truss Hd. (SST).....	3
5	SC-128-73	Mach. Screw 8-32 x 1/4 Tx. Button Hd. (SST) (ML-134456).....	3
6	RR-004-18	Ring - Retaining.....	1
7	00-015217	Pinion - Beater (19T).....	1
*8		Planetary.....	1
9	00-874770	Spacer Bowl Scraper.....	2
10	SC-053-46	Mach. Screw 1/4-20 x 3/4 Slotted Truss Hd. (SST).....	2
11	00-012430-00055	Key 3/16 x 3/16 x 1.....	1
12	00-065062-00001	Pin - Dowel.....	1
13	00-874739	Shaft - Agitator.....	1
14	00-023482	Seal - Grease 1 In. Dia. Shaft.....	1
15	BB-005-34	Bearing - Ball Hoover/NSK 6204 DDU.....	1
16	BB-018-17	Bearing - Ball Hoover/NSK 6203 DDU.....	1

\* For service order part number [00-916332](#).



PL-59582

**PLANETARY  
(CURRENT CONSTRUCTION)  
(UNITS BUILT ON OR AFTER SERIAL #31-1386989)**

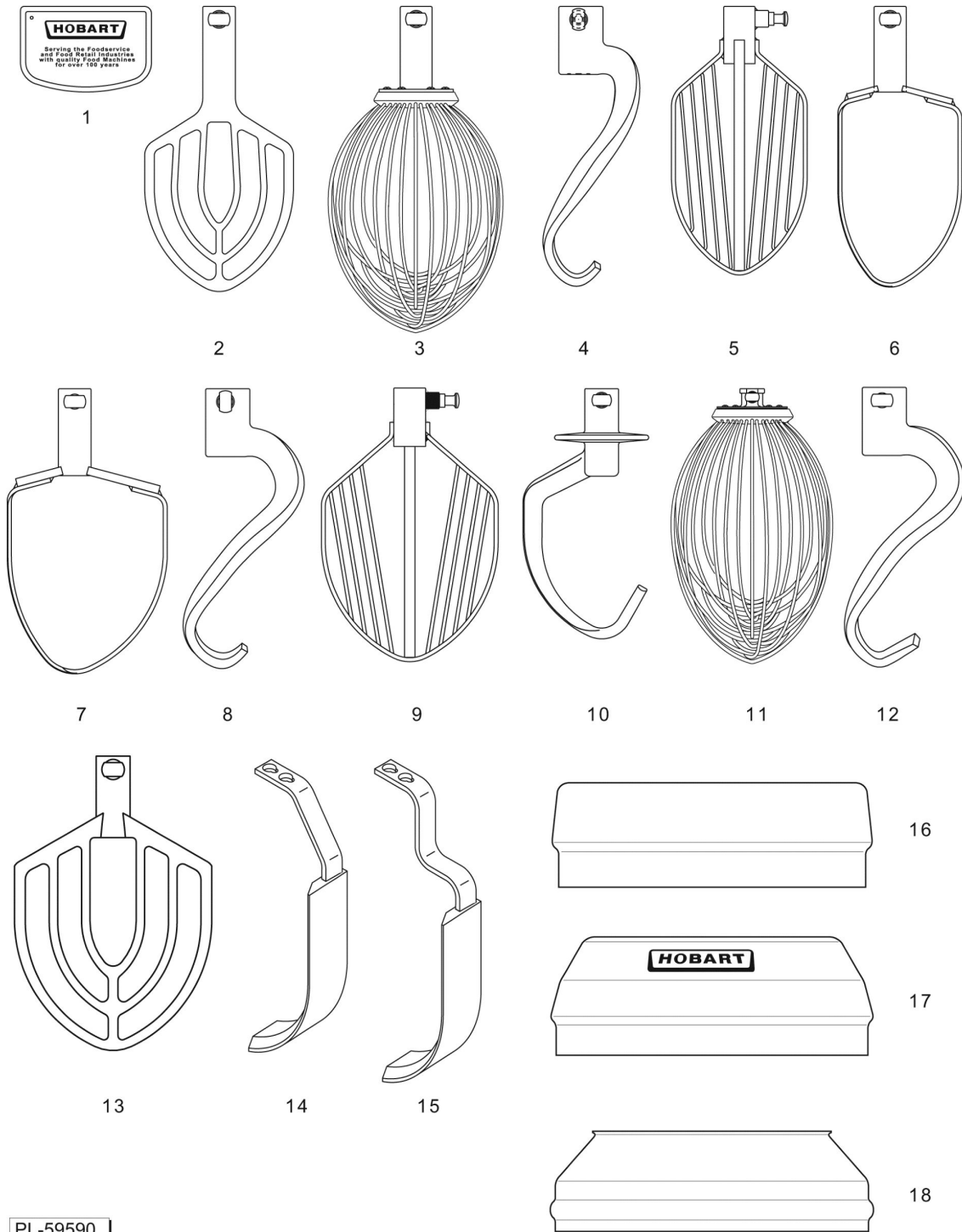
**PLANETARY  
(CURRENT CONSTRUCTION)  
(UNITS BUILT ON OR AFTER SERIAL #31-1386989)**

ILLUS. PL-59582	PART NO.	NAME OF PART	AMT.
1	00-438524-00002	Gear - Internal.....	1
2	WL-003-35	Lockwasher 1/4 Helical.....	6
3	SC-040-09	Cap Screw 1/4-20 x 1 1/4 Hex Socket Hd.....	6
4	SC-066-13	Mach. Screw 8-32 x 1/4 Phil. Truss Hd. (SST).....	3
5	SC-128-73	Mach. Screw 8-32 x 1/4 Tx. Button Hd. (SST) (ML-134456).....	3
6	00-916336	Plug - Friction (1 In. Dia.).....	1
7	RR-004-18	Ring - Retaining.....	1
8	00-916335	Pinion - Beater Shaft.....	1
9	00-916512	Seal - Upper Agitator Shaft.....	1
10	00-916333-00001	Planetary.....	1
11	00-874770	Spacer Bowl Scraper.....	2
12	SC-053-46	Mach. Screw 1/4-20 x 3/4 Slotted Truss Hd. (SST).....	2
13	00-012430-00055	Key 3/16 x 3/16 x 1.....	1
14	00-065062-00001	Pin - Dowel.....	1
15	00-916334	Shaft - Agitator.....	1
16	00-023482	Seal - Grease 1 In. Dia. Shaft.....	1
17	BB-005-34	Bearing - Ball Hoover/NSK 6204 DDU.....	1
18	BB-018-17	Bearing - Ball Hoover/NSK 6203 DDU.....	1
	00-916332	Planetary Subassy.....	1



**BOWL AND BOWL GUARD**

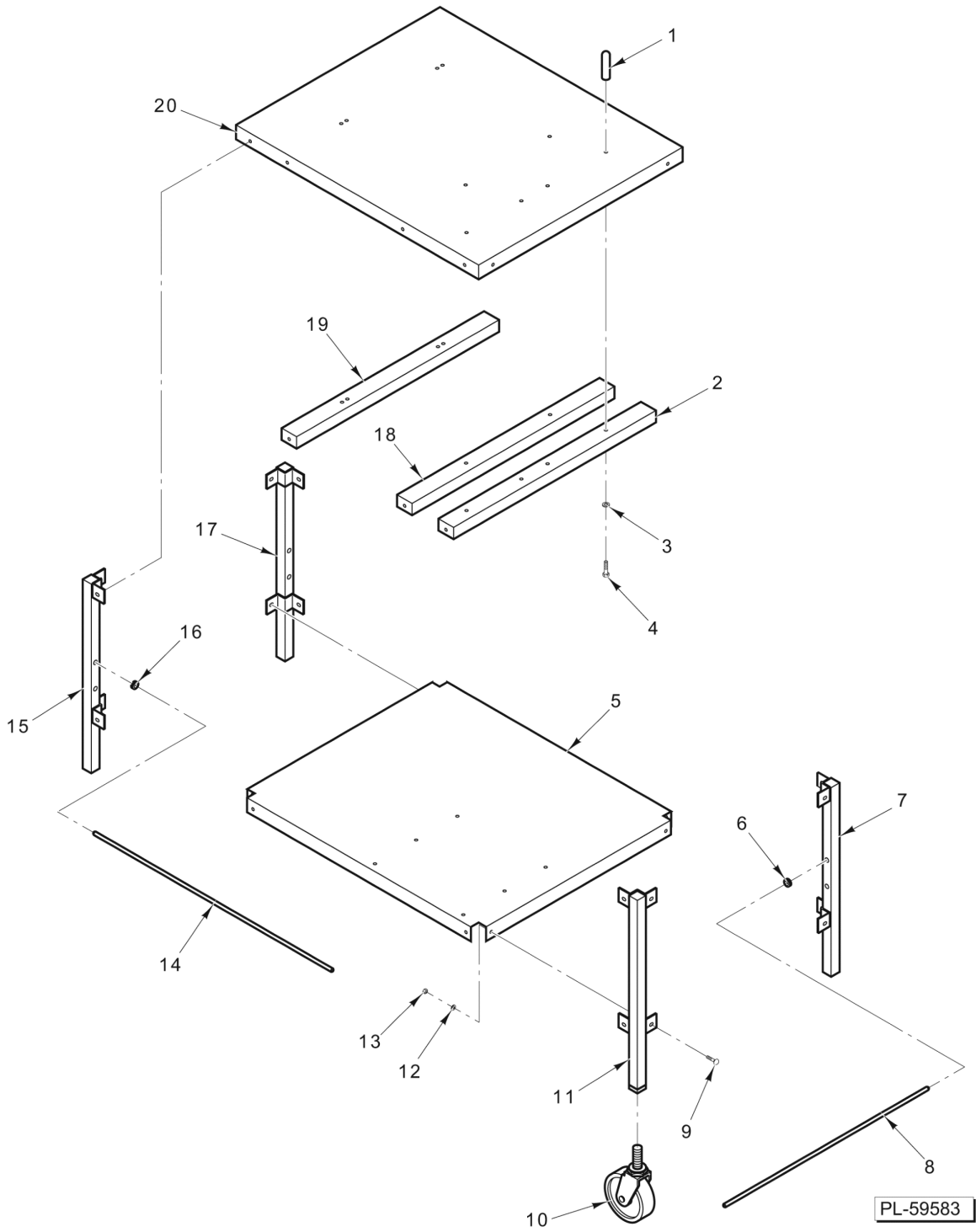
ILLUS.	PART NO.	NAME OF PART	AMT.
PL-59623			
1	00-917357	Holder - Magnet (Upper).....	1
2	00-917234	Guard - Splash.....	1
3	00-917232	Holder - Switch Reed.....	1
4	00-874839	Pin - Sensor.....	1
5	00-087711-00352	Switch - Reed.....	1
6	00-937354	Tube - Split.....	1
7	SC-118-18	Cap Screw 1/4-20 x 7/8 Hex Hd.....	2
8	WS-003-19	Washer.....	2
9	00-917272	Cup - Drip & Flange.....	1
10	00-874875	Magnet - Disc.....	1
11	00-917358	Holder - Magnet (Lower).....	1
12	00-937163-00001	Wire Cage Assy.....	1
13	00-937163-00002	Wire Cage Assy. - Correctional (Incls. Items 9, 10, & 11) (ML-134456).....	1
14	00-874875	Magnet - Disc.....	1
15	00-917357	Holder - Magnet (Upper).....	1
16	00-874875	Magnet - Disc.....	1
17	00-917357	Holder - Magnet (Upper).....	1
18	00-917358	Holder - Magnet (Lower).....	1
19	00-874864	Bowl Assy. (12 Qt.) (SST) (Packaged) (Incls. Items 16, 17, & 18).....	1
20	00-917720	Bowl Assy. (20 Qt.) (SST) (Packaged).....	1
21	00-917358	Holder - Magnet (Lower).....	1



**AGITATORS AND ACCESSORIES**

### AGITATORS AND ACCESSORIES

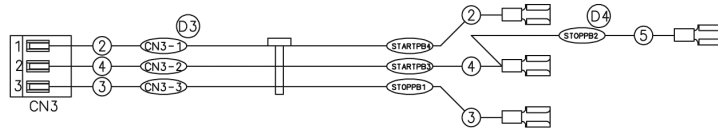
ILLUS.	PART NO.	NAME OF PART	AMT.
	PL-59590		
1	00-118801	Scraper - Bowl (Handheld).....	1
2	00-874828	B Beater (12 Qt.) (Packaged) (Incls. Item 1).....	1
3	00-873360	D Wire Whip (12 Qt.) (Packaged) (Incls. Item 1).....	1
4	00-873343	ED Dough Arm (12 Qt.) (Packaged) (Incls. Item 1).....	1
5	00-875893	C Whip (12 Qt.) (Packaged) (Incls. Item 1).....	1
6	00-873370	Pastry Knife (12 Qt.) (Packaged) (Incls. Item 1).....	1
7	00-873294	Pastry Knife (20 Qt.) (Packaged) (Incls. Item 1).....	1
8	00-873313	EDA Dough Arm (20 Qt.) (Packaged) (Incls. Item 1).....	1
9	00-873331	C Whip (20 Qt.) (Packaged) (Incls. Item 1).....	1
10	00-873335	E Dough Arm (20 Qt.) (Packaged) (Incls. Item 1).....	1
11	00-874792	D Wire Whip (20 Qt.) (Packaged) (Incls. Item 1).....	1
12	00-874791	ED Dough Arm (20 Qt.) (Packaged) (Incls. Item 1).....	1
13	00-874790	B Beater (20 Qt.) (Packaged) (Incls. Item 1).....	1
14	00-873373	Scraper (12 Qt.) (Packaged).....	1
15	00-874836	Scraper (20 Qt.) (Packaged).....	1
16	00-438078	Splash Cover (12 Qt.) (Packaged).....	1
17	00-438079	Splash Cover (20 Qt.) (Packaged).....	1
18	00-875677	Splash Cover (20 Qt.) (SST) (Packaged).....	1
	00-874885	Ingredient Chute (12 Qt.) (Packaged).....	1
	00-916684	Ingredient Chute (20 Qt.) (Packaged).....	1
	00-874899	Tray - Support (Packaged).....	1
	00-435636-00001	Scraper - Bowl.....	1



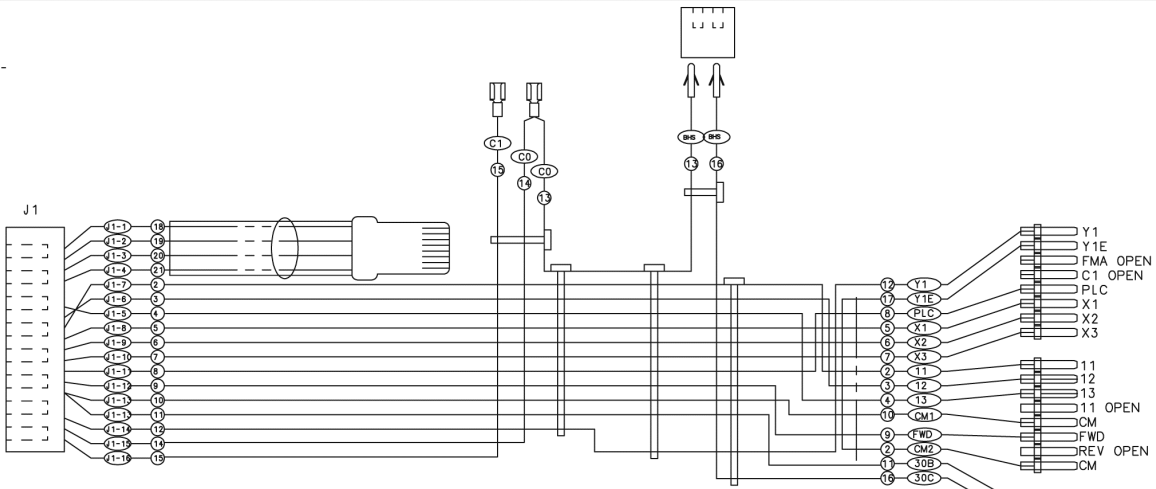
**MIXER TABLE (ML-134299)**

**MIXER TABLE (ML-134299)**

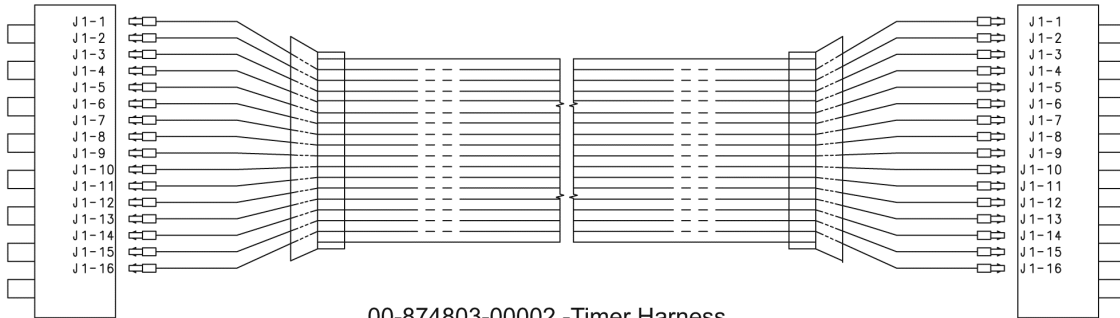
ILLUS. PL-59583	PART NO.	NAME OF PART	AMT.
1	00-124075	Post.....	4
2	00-124067	Support - Cross Top.....	1
3	WL-004-06	Lockwasher 3/8 Helical.....	8
4	SC-037-71	Cap Screw 3/8-16 x 3/4 Hex Hd.....	8
5	00-123427	Shelf - Table.....	1
6	00-124076	Grommet.....	4
7	00-124073	Leg - Rear (LH).....	1
8	00-124074-00002	Rod (Short).....	2
9	SC-094-26	Bolt 1/4-20 x 1/2 Sq. Neck Rd. Hd.....	22
10	00-205003	Caster - Locking.....	4
11	00-124070	Leg - Rear (RH).....	1
12	WS-005-01	Washer.....	22
13	NS-013-02	Nut 1/4-20 Hex.....	22
14	00-124074-00001	Rod (Long).....	4
15	00-124071	Leg - Front (RH).....	1
16	00-124076	Grommet.....	8
17	00-124072	Leg - Front (LH).....	1
18	00-875983	Support - Cross Top.....	1
19	00-124069	Support - Cross Top.....	1
20	00-875982	Top.....	1



00-916566-00001 - Switch Harness



00-874888-00001 - Controller Harness  
(Pin Type Harness Connector, Dual Harness Construction) (Previous Construction)



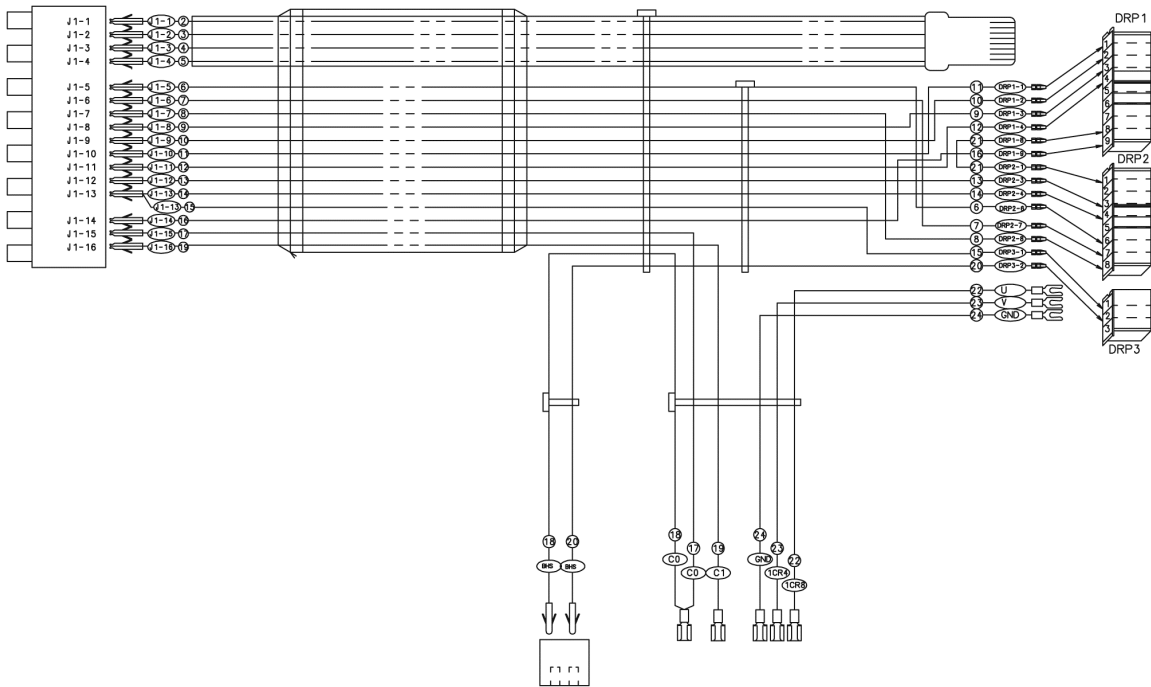
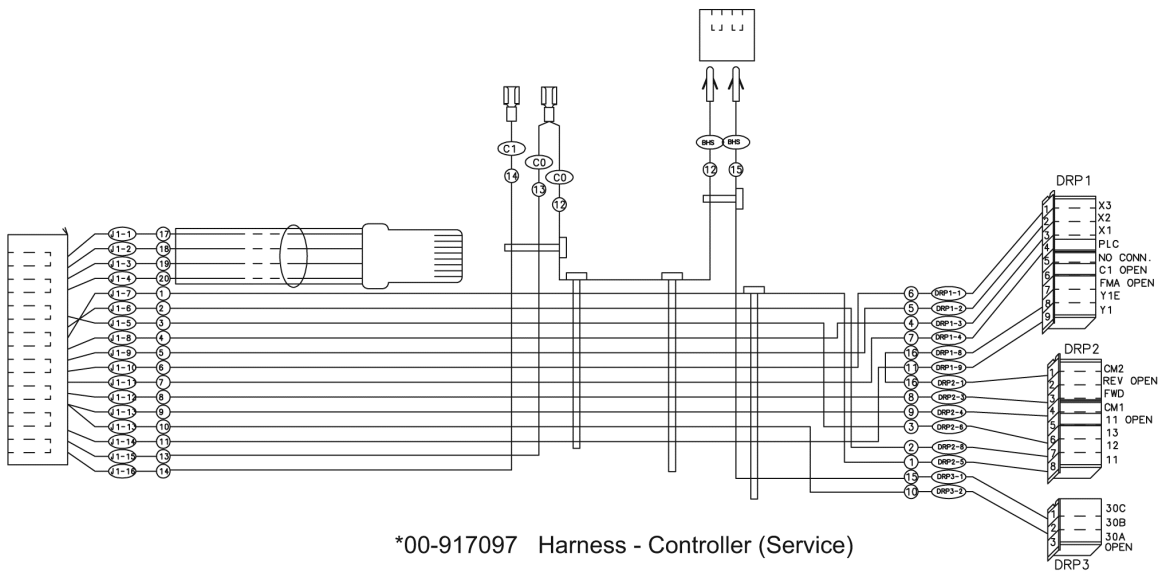
00-874803-00002 -Timer Harness  
(Dual Harness Construction) (Previous Construction)

PL-59624

**WIRING HARNESS (1)**

**WIRING HARNESS (1)**

<b>ILLUS.</b>	<b>PART NO.</b>	<b>NAME OF PART</b>	<b>AMT.</b>
PL-59624			
1	00-916566-00001	Switch Harness.....	1
2	00-874888-00001	Controller Harness.....	1
3	00-874803-00002	Timer Harness.....	1



PL-59584

00-917132-00001 Harness - Main Wiring  
(Single Harness Construction) (Current Construction)

## WIRING HARNESS (2)

**WIRING HARNESS (2)**

<b>ILLUS.</b>	<b>PART NO.</b>	<b>NAME OF PART</b>	<b>AMT.</b>
PL-59584			
1	00-917097	Harness - Drive Service.....	1
2	00-917132-00001	Harness - Main Wiring.....	1

