



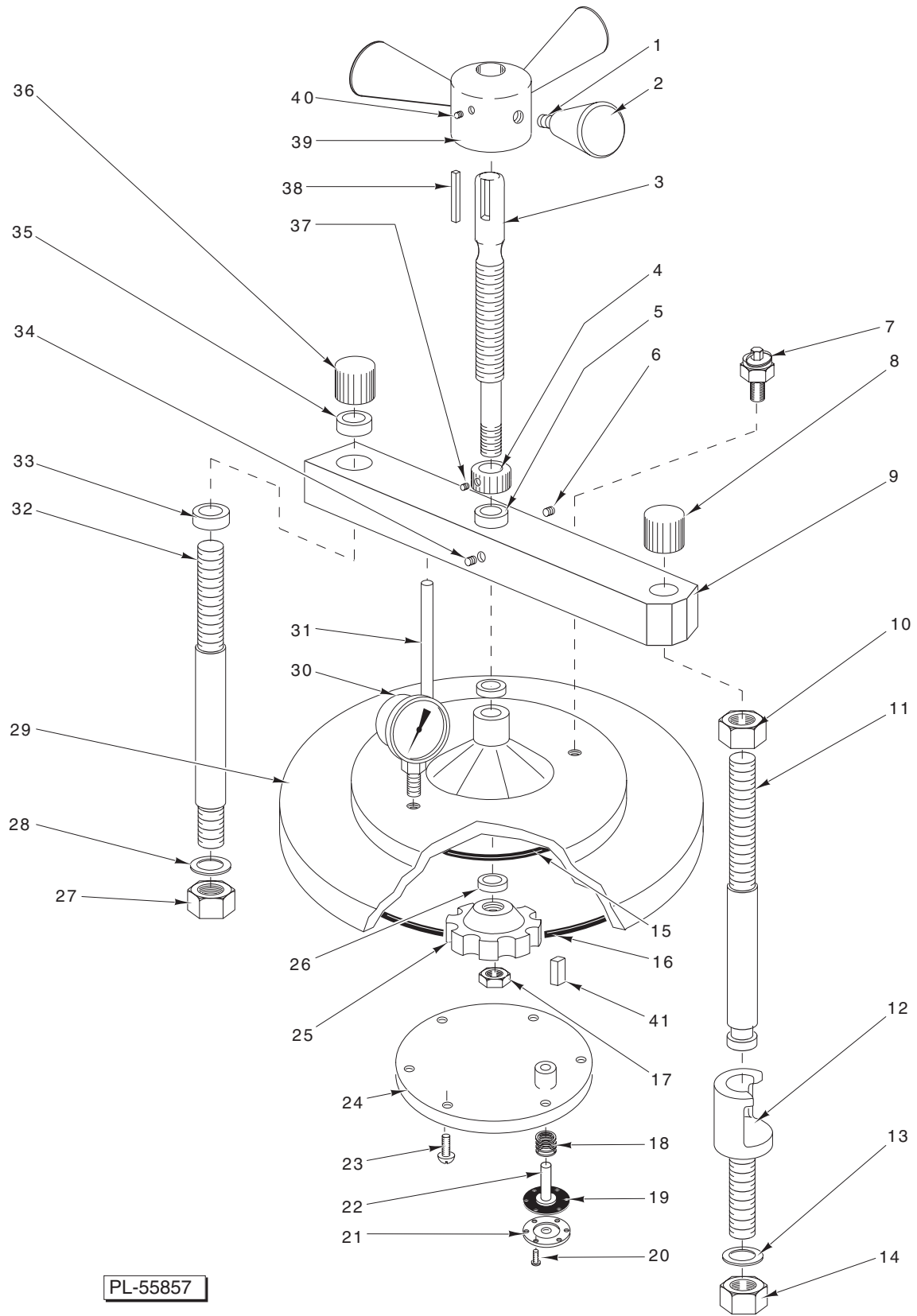
CATALOG OF

REPLACEMENT PARTS

**MODEL HP15G
GAS PRESSURE FRYER**

ML-103749

ML-114793

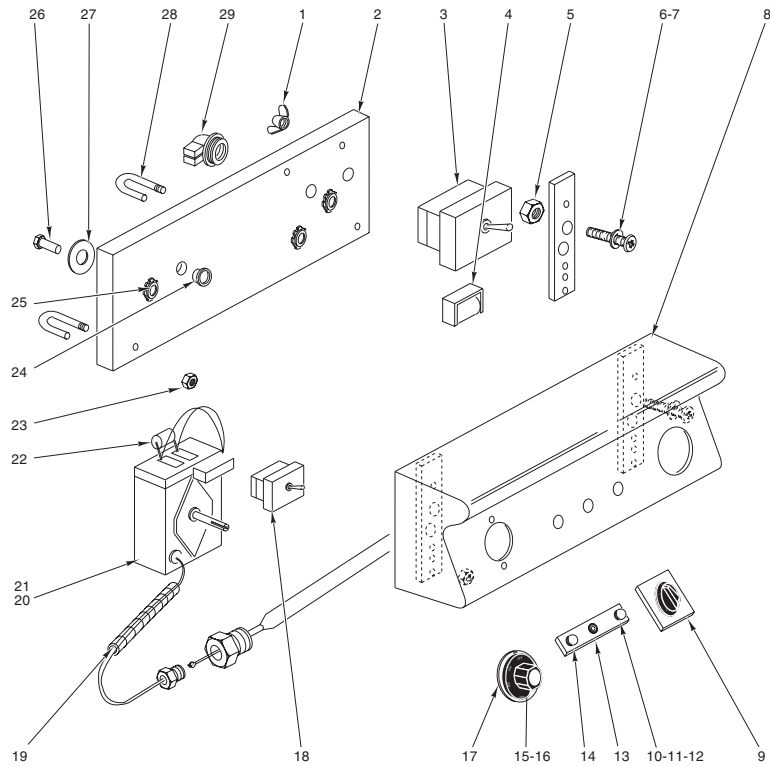


LID ASSEMBLY

LID ASSEMBLY

ILLUS.	PART NO.	NAME OF PART	AMT.
PL-55857			
1	00-360661	Stud – Aluminum Handle	3
2	00-360660	Handle – Aluminum	3
3	00-360758	Post – Locking Screw	1
4	00-360637	Collar – Knurled Screw Post	1
5	00-360659	Bearing – Threaded Bronze	1
6	SC-075-10	Set Screw 1/4-20 x 3/16 Soc. Hdls., Cup Pt.	1
7	00-360675	Valve – Relief	1
8	00-360624	Cap – Pivot Post Lock	1
9	00-360783	Bar – Overarm	1
10	00-360774	Nut – Pivot Post	1
11	00-360626	Post – Lock	1
12	00-360627	Catch – Overarm Post	1
13	WS-025-01	Washer	1
14	00-360774	Nut – Pivot Post	1
15	00-360746	O-Ring (Inner Lid) 4.850 I.D.	1
16	00-360747	O-Ring (Outer) 12.475 I.D.	1
17	00-360775	Nut – Lock	1
18	00-360761	Spring – Plunger	1
19	00-360762	Gasket – Lock	1
20	SC-121-49	Mach. Screw 10-32 x 1/4 Flat Hd.	6
21	00-360764	Gasket – Retainer	1
22	00-360765	Plunger – Locking	1
23	SC-117-73	Mach. Screw 10-32 x 5/8 Phil. Truss Hd.	6
24	00-360763	Plate – Inner	1
25	00-360760	Gear – Star Locking	1
26	00-360677	Bearing – Thrust #603	2
27	00-360774	Nut – Pivot Post	1
28	WS-025-01	Washer	1
29	00-360759	Lid	1
30	00-360623	Gauge – Pressure	1
31	00-360629	Pin – Stop Swivel	1
32	00-360628	Post – Pivot	1
33	00-360778	Bearing – Pivot Post Thrust	1
34	SC-075-10	Set Screw 1/4-20 x 3/16 Soc. Hdls., Cup Pt.	1
35	00-360778	Bearing – Pivot Post Thrust	1
36	00-360624	Cap – Pivot Post Lock	1
37	SC-047-12	Set Screw 1/4-20 x 3/8 Soc. Hdls., Cup Pt.	1
38	00-360789	Key	1
39	00-360673	Hub – Handle	1
40	SC-055-03	Set Screw 3/8-16 x 3/8 Soc. Hdls., Cup Pt.	1
41	00-360789	Key	1

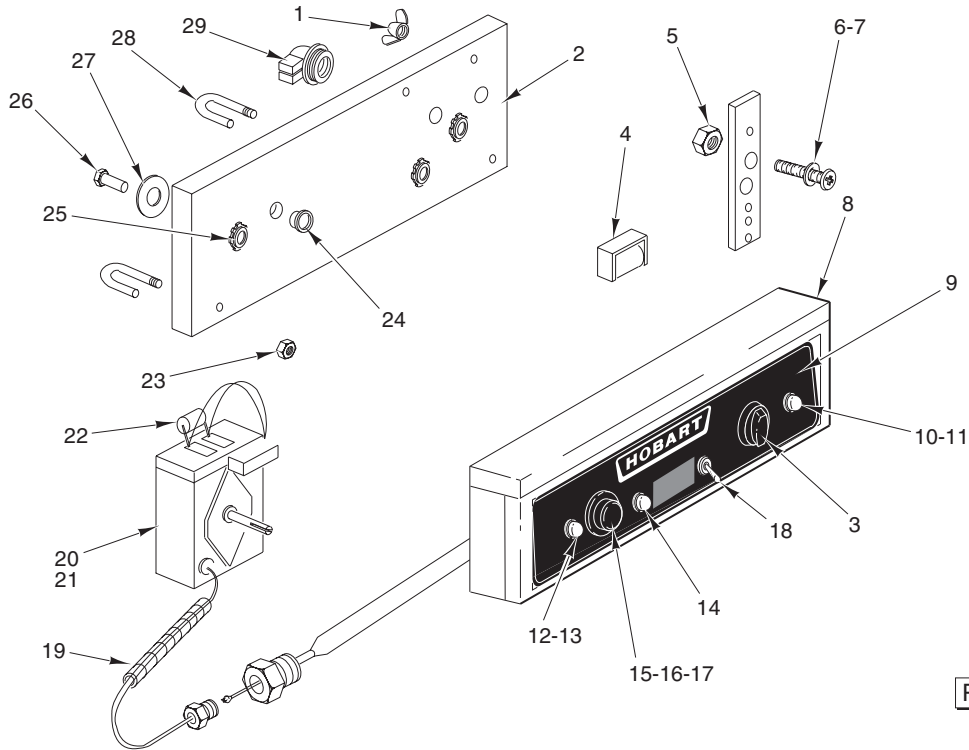
HP15G GAS PRESSURE FRYER REPLACEMENT PARTS



PL-50372

**CONTROL PANEL
(PREVIOUS CONSTRUCTION)**

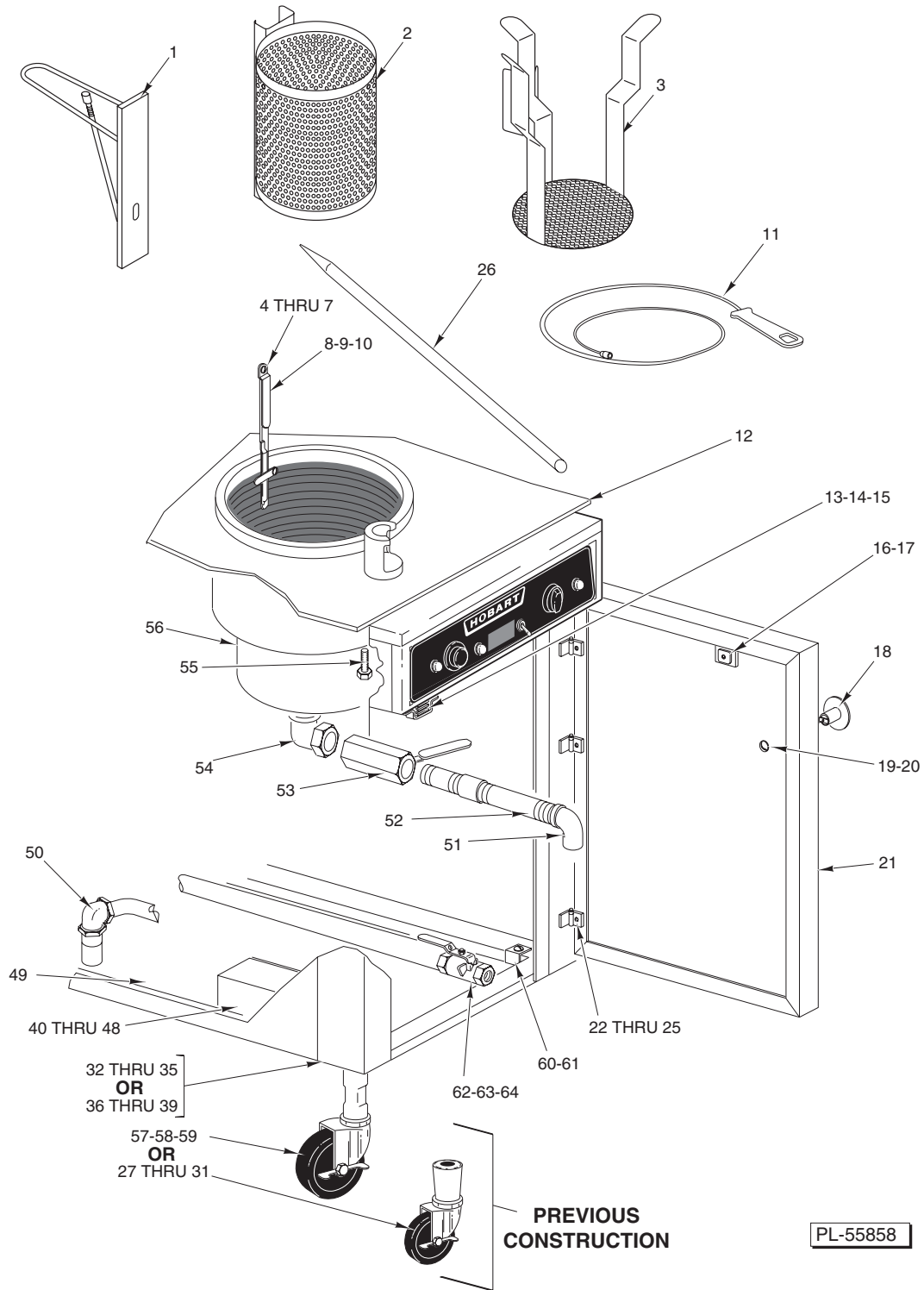
ILLUS.	PART NO.	NAME OF PART	AMT.
	PL-50372		
1	NS-048-01	Wing Nut 1/4-20.....	2
2	00-360665	Insulation – Control Panel	1
3	00-360748	Timer Assy. (S/N 2756 and Higher Only)	1
4	00-360679	Buzzer	1
5	NS-013-02	Nut 1/4-20 Hex	2
6	SC-011-82	Mach. Screw 1/4-20 x 1 1/4 Fil. Hd.	2
7	WS-022-23	Washer	2
8	00-360810	Panel – Control (Frame)	1
9	00-358678	Panel – Timer	1
10	00-360680	Socket – Pilot Light	2
11	00-360682	Lens (Red)	1
12	BL-008-18	Bulb – Pilot Light	2
13	00-360684	Plate – Switch & Pilot	1
14	00-360681	Lens (White).....	1
15	00-360806	Knob – Thermostat	1
16	SC-053-38	Mach. Screw 6-32 x 1/4 Truss Hd.	1
17	00-360690	Plate – Thermostat Outer	1
18	00-360853-00085	Switch – On/Off (3-Way)	1
19	00-360807	Bushing – Poly Spiral.....	1
20	00-360688	Thermostat	1
21	00-360750	Module Temperature Control	1
22	00-360689	Condensor – Thermostat	1
23	NS-048-12	Mach. Nut 8-32 Hex	4
24	00-360808	Bushing	1
25	00-360826	Connector – Electrical	3
26	00-360666	Nut – Insulation	2
27	00-360795	Washer – Insulation	2
28	00-360811	Hook – Control Panel	2
29	00-360827	Connector – Electrical 90 Deg.	1
	00-360823	Harness – Wiring	1



CONTROL PANEL

ILLUS.	PART NO.	NAME OF PART	AMT.
PL-51668			
1	NS-048-01	Wing Nut 1/4-20	2
2	00-360665	Insulation – Control Panel	1
3	00-360853-00121	Timer Assy. (30 Min.)	1
4	00-360679	Buzzer	1
5	NS-013-02	Nut 1/4-20 Hex	2
6	SC-011-82	Mach. Screw 1/4-20 x 1 1/4 Fil. Hd.	2
7	WS-022-23	Washer	2
8	00-358642	Panel – Control (Frame)	1
9	00-358643	Panel – Front	1
10	00-360680	Socket – Pilot Light	3
11	00-360682	Lens (Red)	1
12	BL-008-18	Bulb – Pilot Light	3
13	00-360853-00106	Lens (Amber)	1
14	00-360681	Lens (White)	1
15	00-360806	Knob – Thermostat	1
16	SC-053-38	Mach. Screw 6-32 x 1/4 Truss Hd.	1
17	00-360690	Plate – Thermostat Outer	1
18	00-360853-00085	Switch – On/Off (3-Way)	1
19	00-360807	Bushing – Poly Spiral	1
20	00-360688	Thermostat	1
21	NS-009-12	Mach. Nut 8-32 Hex	4
22	00-360689	Condensor – Thermostat	1
23	NS-009-12	Mach. Nut 8-32 Hex	4
24	00-360808	Bushing	1
25	00-360826	Connector – Electrical	4
26	00-360666	Nut – Insulation	2
27	00-360795	Washer – Insulation	2
28	00-360811	Hook – Control Panel	2
29	00-360827	Connector – Electrical 90 Deg.	1
	00-360823	Harness – Wiring	1

HP15G GAS PRESSURE FRYER REPLACEMENT PARTS



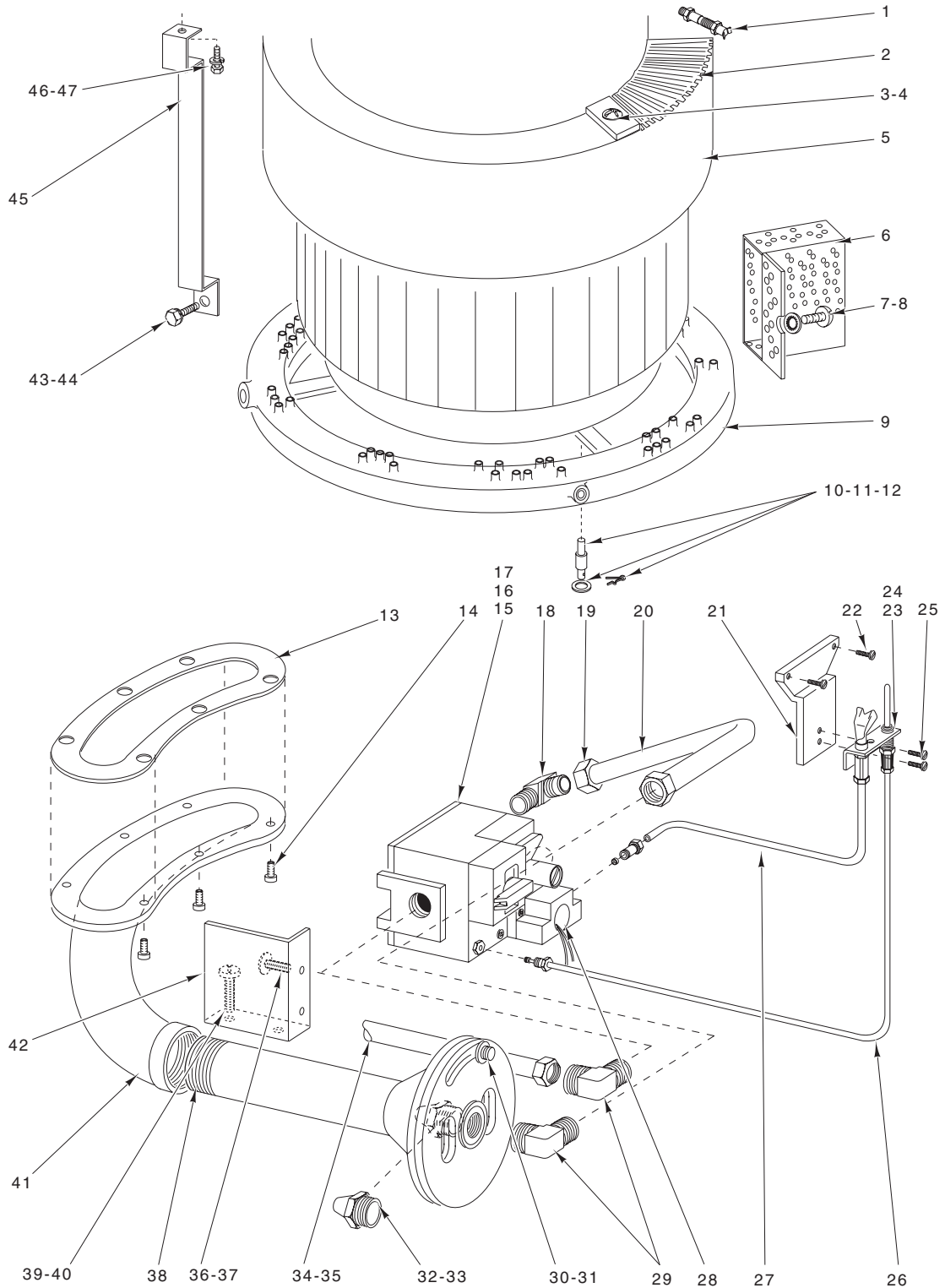
UNDERSIDE

ILLUS.	PART NO.	NAME OF PART	AMT.
PL-55858			
1	00-360853-00192	Handle	1
2	00-360853-00191	Basket	1
3	00-360813	Crumb Catcher	1
4	00-360817	Thermostat	1

UNDERSIDE (Cont.)

ILLUS.	PART NO.	NAME OF PART	AMT.
	PL-55858		
5	00-360670	Cover – Thermostat Wire	1
6	SC-066-21	Mach. Screw 10-32 x 3/8 Truss Hd.	1
7	WL-008-13	Lockwasher #10 Internal Shakeproof	1
8	00-360671	Brace – Thermostat Tube	1
9	SC-066-21	Mach. Screw 10-32 x 3/8 Truss Hd.	1
10	WL-008-13	Lockwasher #10 Internal Shakeproof	1
11	00-360757	Scraper – Flexible	1
12	00-360802	Top – Table	1
13	00-360687	Catch – Magnetic Door	1
14	SC-019-28	Mach. Screw 8-32 x 1/4 Bndg. Hd.	2
15	WL-008-07	Lockwasher #8 Internal Shakeproof	2
16	SC-119-14	Mach. Screw 8-32 x 1/4 Phil. Flat Hd.	3
17	WL-008-07	Lockwasher #8 Internal Shakeproof	3
18	00-360691	Pull – Door	1
19	SC-081-12	Mach. Screw 8-32 x 1 1/2 Rd. Hd.	1
20	WL-008-07	Lockwasher #8 Internal Shakeproof	1
21	00-360620	Door Assy.	1
22	00-360824	Door Hinge Assy.	4
23	SC-019-28	Mach. Screw 8-32 x 1/4 Bndg. Hd.	4
24	NS-011-12	Mach. Nut 8-32 Hex	4
25	WL-008-07	Lockwasher #8 Internal Shakeproof	4
26	00-360786	Cleaner – Drain (Wood)	1
*27	00-360692	Adaptor – Caster	4
*28	00-360616	Adaptor – Caster	4
*29	00-360694	Caster – Plain	2
*30	00-360728	Caster – W/Brake	2
*31	00-360714	Leg – Fryer	4
32	00-360853-00039	Flange – Rear Leg	4
33	00-360853-00123	Screw 1/2-13 x 2 Sq. Hd.	4
34	WL-008-17	Lockwasher 1/4 Internal Shakeproof	12
35	NS-046-38	Mach. Nut 1/4-20 Hex	12
36	00-360617	Flange – Leg (Front)	2
37	00-360730	Flange – Leg (Rear)	2
38	WL-008-17	Lockwasher 1/4 Internal Shakeproof	12
39	NS-046-38	Mach. Nut 1/4-20 Hex	12
40	00-360819	Box – Junction	1
41	00-360820	Cover – Junction Box	1
42	SC-013-20	Mach. Screw 6-32 x 1/4 Flat Hd.	1
43	SC-066-21	Mach. Screw 10-32 x 3/8 Truss Hd.	2
44	WL-008-13	Lockwasher #10 Internal Shakeproof	2
45	NS-011-23	Mach. Nut Hex 10-32 (SST)	2
46	FE-016-20	Fuse (15 Amp.) (125 V.)	1
47	FE-002-27	Connector – Conduit 3/8 TS	1
48	FE-012-36	Connector – Conduit 1/2 TS	1
49	00-360667	Pan – Drip	1
50	00-360818	Flare Nut 5/8	2
51	FP-013-27	Elbow – Pipe 1 x 90 Deg.	1
52	00-360797	Extension – Drain Pipe	1
53	00-360796	Valve – Drain Teflon Ball	1
54	00-360630	Nipple 1" Aluminum	1
55	SC-037-73	Cap Screw 3/8-16 x 1 Hex Hd.	3
56	00-360779	Kettle	1
57	00-358637-00001	Caster – Plain (Threaded) (4" Dia. Wheel)	2
58	00-358637-00002	Caster – W/Brake (Threaded) (4" Dia. Wheel)	2
59	00-358637-00004	Leg – Fryer (Threaded)	4
60	SC-019-28	Mach. Screw 8-32 x 1/4 Bndg. Hd.	4
61	WL-008-07	Lockwasher #8 Internal Shakeproof	4
62	00-360770	Valve – Drain	1
63	FP-037-72	Nipple 1/2 x 6" TBE Galvanized	1
64	00-360619	Pipe 1/2 x 27" Galvanized Steel	1
	00-360756	Wrench	1
	00-360755	Gloves (Pair)	1

* Previous Construction.



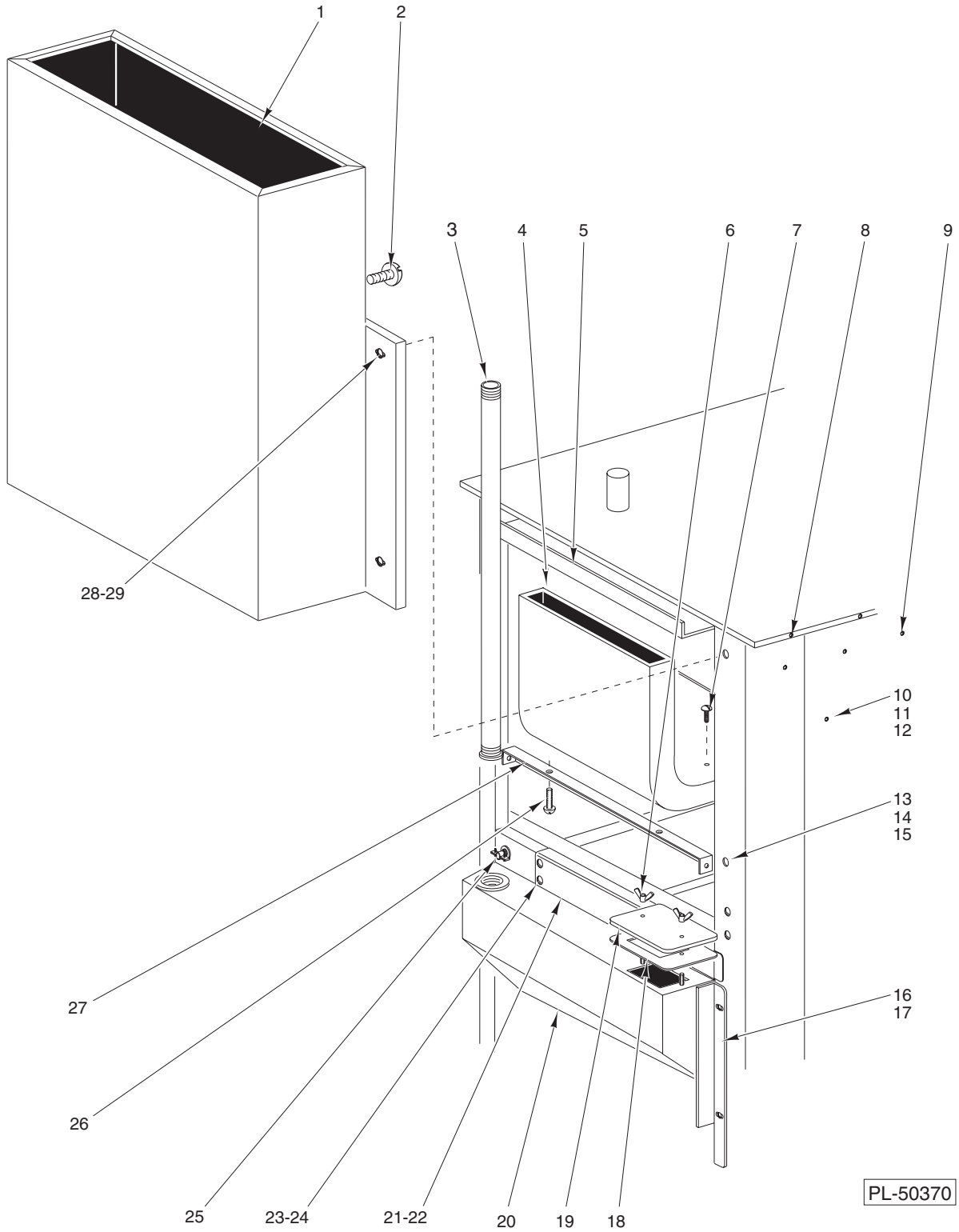
PL-55859

GAS COMPONENTS

GAS COMPONENTS

ILLUS.	PART NO.	NAME OF PART	AMT.
	PL-55859		
1	00-360636	Switch – Safety Limit	1
2	00-360801	Insulation – Shroud	1
3	00-360800	Bracket – Insulation Mounting	2
4	SD-036-89	Self-Tapping Screw 10-32 x 1/2 Hex Washer Hd., Type F	2
5	00-360638	Shroud	1
6	00-360798	Bracket – Limit Switch	1
7	SC-112-40	Mach. Screw 8-32 x 3/16 Truss Hd.	1
8	WL-008-07	Lockwasher #8 Internal Shakeproof	1
9	00-360792	Burner	1
10	00-360644	Pin – Burner Mounting Bracket	4
11	WS-022-21	Washer	8
12	00-360828	Pin – Cotter	4
13	00-360647	Gasket – Manifold	1
14	SC-121-50	Cap Screw 1/4-20 x 5/8 Socket Hex Hd.	6
15	00-360664-00003	Regulator – Gas Replacement Kit (Use Prior to 6/1/95) (ML-103749)	1
16	00-360664-00002	Regulator – Gas (After 6/1/95) (ML-103749)	1
17	00-360853-00160	Regulator – Gas (ML-114793)	1
18	FP-012-07	Elbow – Male (1/2 Pipe x 5/8 Tube)	1
19	FP-012-45	Fitting – Tube 5/8 TPG Nut	2
20	00-360853-00235	Tube – 18” Stainless Flex	1
21	00-360663	Plate – Pilot Light Mounting	1
22	SC-066-21	Mach. Screw 10-32 x 3/8 Truss Hd.	2
23	00-360662	Light – Pilot Gas (ML-103749)	1
24	00-360853-00162	Ignitor – Hot Surface (ML-114793)	1
25	SC-012-79	Mach. Screw 8-32 x 1/4 Truss Hd.	2
26	00-360719	Thermocouple (ML-103749)	1
27	00-360625	Tube – Aluminum 12 x 1/4	1
28	FE-002-52	Connector – Conduit 3/8 TS 90 Deg. Squeeze	1
29	FP-012-07	Elbow – Male (1/2 Pipe x 5/8 Tube)	2
30	SC-087-27	Stud – Venturi Face	1
31	WS-022-21	Washer – Venturi Face	1
32	00-360651	Orifice – Gas (Nat.)	1
33	00-360720	Orifice – Gas (LP Only)	1
34	00-360621	Tube – Regulator	1
35	FP-012-45	Fitting – Tube 5/8 TPG Nut	1
36	SC-019-28	Mach. Screw 8-32 x 1/4 Binding Hd.	2
37	WL-008-07	Lockwasher #8 Internal Shakeproof	2
38	00-360648	Venturi	1
39	SC-066-21	Mach. Screw 10-32 x 3/8 Truss Hd.	2
40	WL-008-13	Lockwasher #10 Internal Shakeproof	2
41	00-360645	Manifold	1
42	00-360742	Bracket – Gas Regulator Mounting	1
43	SC-117-07	Mach. Screw 1/4-20 x 5/8 Hex Hd.	2
44	WL-008-17	Lockwasher 1/4 Internal Shakeproof	2
45	00-360639	Bracket – Shroud Mounting Front	2
46	SC-090-47	Mach. Screw 3/8-16 x 5/8 Hex Hd.	2
47	WL-019-04	Lockwasher 3/8 Internal Shakeproof	2
	00-360715	Orifice – Pilot (Propane Kit)	1
	00-360716	Plate – Cover for Regulator (Propane Kit) (ML-103749)	1
	00-854317-00088	Kit – Propane Conversion (ML-114793)	1

HP15G GAS PRESSURE FRYER REPLACEMENT PARTS

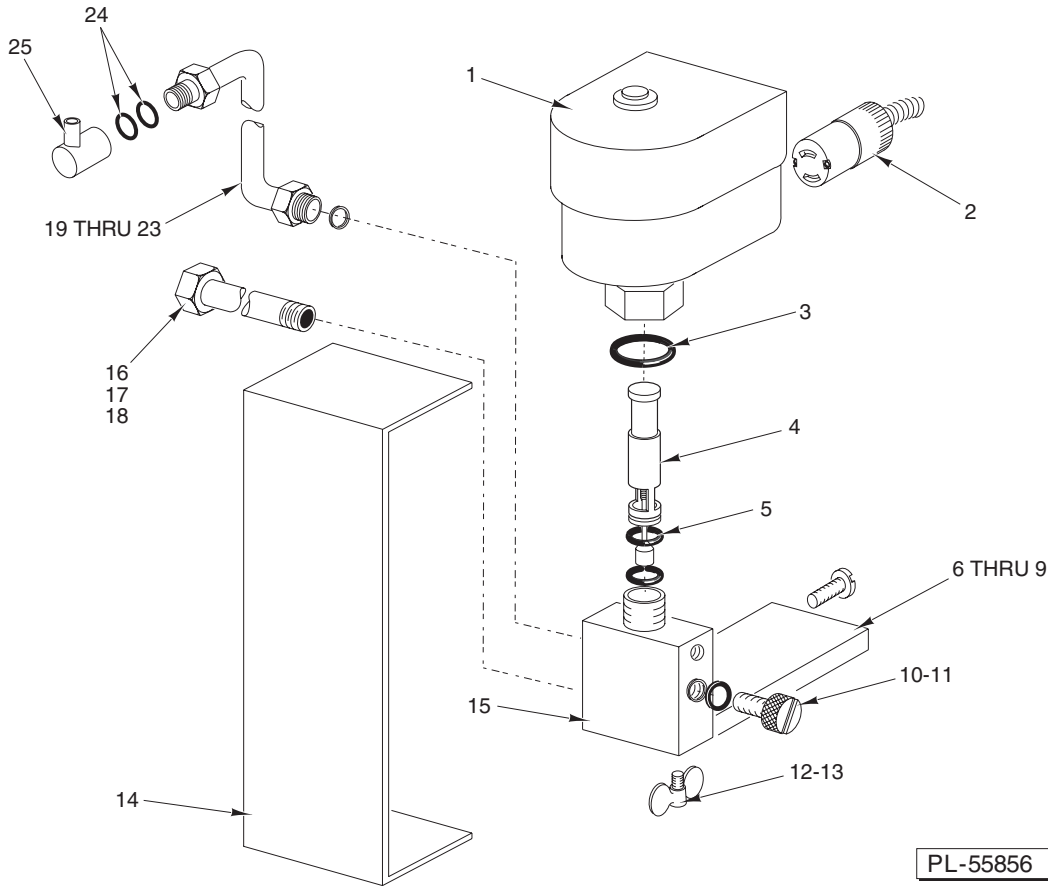


BACK VIEW

BACK VIEW

ILLUS.	PART NO.	NAME OF PART	AMT.
PL-50370			
1	00-360642	Vent – Exhaust	1
2	SD-035-43	Self-Tapping Screw 10-32 x 1/2 Phil. Pan Hd., Type D	4
3	00-360853-00100	Pipe – Exhaust	1
4	00-360641	Flue	1
5	00-360793	Channel – Drip	1
6	NS-048-01	Wing Nut 1/4-20	2
7	SD-035-43	Self-Tapping Screw 10-32 x 1/2 Phil. Pan Hd., Type D	2
8	SD-017-30	Self-Tapping Screw 6-20 x 3/8 Phil. Flat Hd., Type AB	7
9	SD-033-84	Self-Tapping Screw 10-32 x 1/2 Phil. Truss Hd., Type F	14
10	SC-025-29	Mach. Screw 10-32 x 5/8 Bndg. Hd.	2
11	NS-011-23	Mach. Nut Hex 10-32 (SST)	2
12	WL-008-13	Lockwasher #10 Internal Shakeproof	2
13	SC-025-29	Mach. Screw 10-32 x 5/8 Bndg. Hd.	4
14	WL-008-13	Lockwasher #10 Internal Shakeproof	4
15	NS-011-23	Mach. Nut Hex 10-32 (SST)	4
16	SC-066-13	Mach. Screw 8-32 x 1/4 Phil. Truss Hd.	4
17	WL-008-07	Lockwasher #8 Internal Shakeproof	4
18	00-360733	Gasket – Access Lid	1
19	00-360732	Lid – Tank Exhaust	1
20	00-360618	Tank – Exhaust	1
21	00-360669	Cover – Wiring Channel	1
22	00-360668	Change – Wiring	1
23	SC-066-13	Mach. Screw 8-32 x 1/4 Phil. Truss Hd.	4
24	WL-008-07	Lockwasher #8 Internal Shakeproof	4
25	FE-012-36	Connector – Conduit 1/2 TS	1
26	SD-036-42	Self-Tapping Screw 10-24 x 1/2 Hex Washer Hd., Type T	2
27	00-360640	Bracket – Shroud Mounting Rear	1
28	SC-066-13	Mach. Screw 8-32 x 1/4 Phil. Truss Hd.	4
29	WL-008-07	Lockwasher #8 Internal Shakeproof	4

HP15G GAS PRESSURE FRYER REPLACEMENT PARTS



PL-55856

SOLENOID

ILLUS.	PART NO.	NAME OF PART	AMT.
PL-55856			
1	00-360711	Housing – Solenoid Coil	1
2	00-360772	Plug – Solenoid Female	1
3	00-360635	Gasket – Upper Valve Body	1
4	00-360853-00193	Pressure Relief Valve Assy.	1
5	00-360853-00194	O-Ring	2
6	00-360634	Bracket – Solenoid	1
7	SC-025-29	Mach. Screw 10-32 x 5/8 Bndg. Hd.	2
8	WL-008-13	Lockwasher #10 Internal Shakeproof	2
9	NS-011-23	Mach. Nut Hex 10-32 (SST)	2
10	00-360853-00197	Thumb Screw (Brass)	1
11	00-360853-00196	O-Ring	1
12	00-360822	Wing Screw 3/8	1
13	WL-018-23	Washer	1
14	00-360803	Cover Solenoid	1
15	00-360676	Housing – Pressure Control	1
16	FP-087-06	Nipple 3/4 x 18 STOE Galvanized	1
17	00-360768	Union & Gasket	1
18	00-360769	Gasket – Union	1
19	00-360773	Pipe 5/8 x 1/2 MPT	1
20	00-360805	Line – Exhaust	1
21	00-360782	O-Ring	1
22	00-360771	Bushing – Exhaust	1
23	00-360773	Pipe 5/8 x 1/2 MPT	1
24	00-854317-00008	O-Ring	2
25	00-360744	Elbow – Exhaust	1