



# CATALOG OF

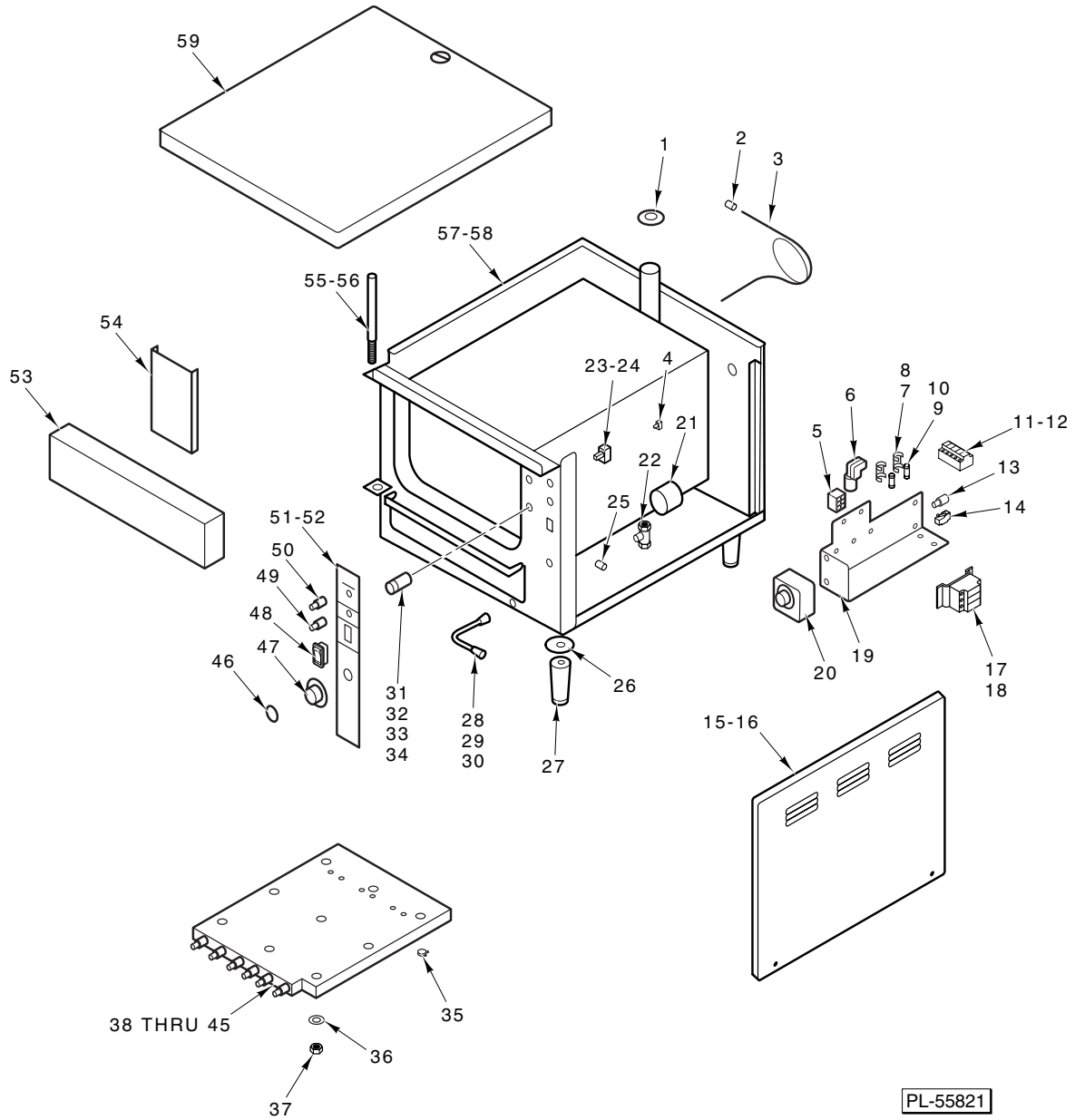
# REPLACEMENT PARTS



## HPX PAN STEAMERS

HPX3  
HPX5

ML-126826  
ML-126827

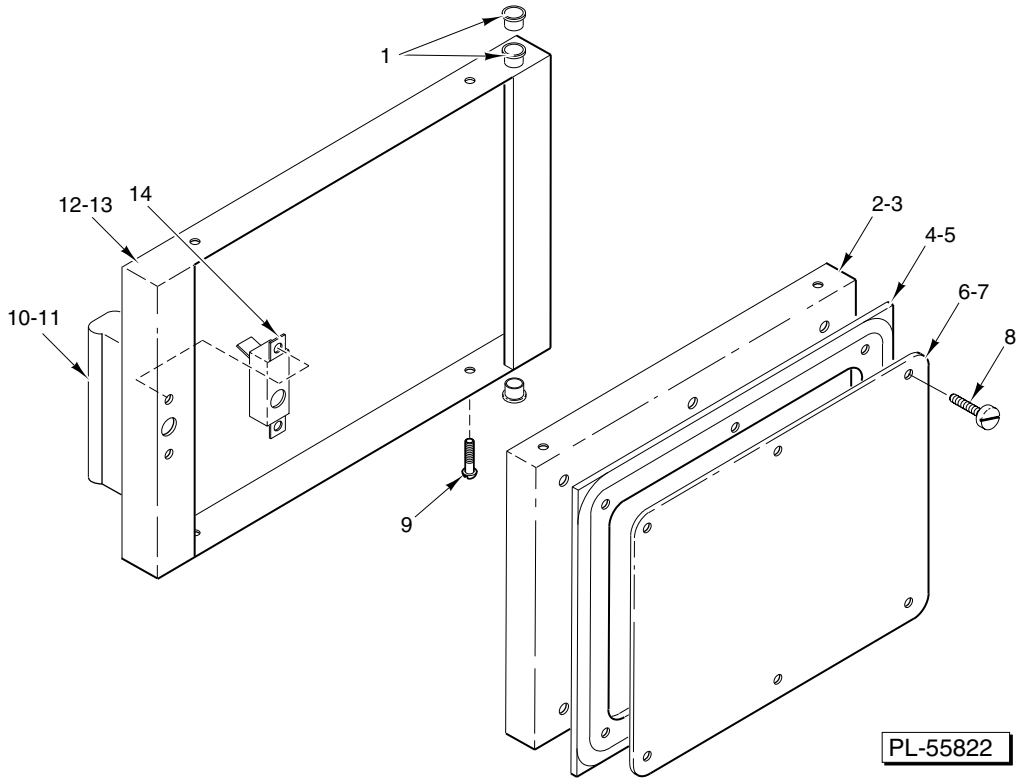


PL-55821

GENERAL ASEMBLY

GENERAL ASSEMBLY

ILLUS.	PART NO.	NAME OF PART	AMT.
PL-55821			
1	00-853959	Grommet .....	1
2	00-853988	Thermocouple Fitting .....	1
3	00-853948	Thermocouple .....	1
4	00-853956	Standby Temperature Thermostat .....	1
5	00-851768	Buzzer .....	1
6	00-843813	Relay .....	1
7	00-853957	Fuse Holder .....	2
8	00-850489	Fuse Holder (480 V.) .....	2
9	00-851929	Fuse (1.0 Amp.) (208/220/240 V., 380/220 V., & 415/240 V.) .....	2
10	00-851823	Fuse (1.0 Amp.) (480 V.) .....	2
11	00-840511	Terminal Block .....	4
12	00-843969	End Section .....	1
13	00-844367-00008	Ground Lug .....	1
14	00-852016	Earth I.D. Tag .....	1
15	00-853950	Side Panel (ML-126826) .....	1
16	00-853949	Side Panel (ML-126827) .....	1
17	00-853270	Contactor (203/220/240 V.) .....	1
18	00-881975	Contactor (380/220 V., 415/240 V., & 480 V.) .....	1
19	00-853951	Component Mounting Board .....	1
20	00-853928	Thermostat .....	1
21	00-853958	Timer – 60 Minute .....	1
22	00-853231	Drain Valve .....	1
23	00-843811	Door Switch .....	1
24	00-850077	Switch Actuator Rod (Comes With Clip) .....	1
25	00-853987	Plug .....	1
26	00-853989	Washer .....	4
27	00-851944	Leg Assy. ....	4
28	00-853985	Set Screw 10-32 x 3/8 .....	1
29	00-853938	Drain Handle Assy. ....	1
30	00-853939	Knob .....	1
31	00-840496	Striker .....	1
32	00-850075	Lockwasher .....	1
33	00-850076	Hex Nut .....	1
34	00-844533	Washer .....	1
35	00-853493	High Limit .....	1
36	00-853935	Spring Disc 3/4 O.D. ....	18
37	00-853986	Nut 5/16-18 Hex .....	9
38	00-853946	Element Assy. (208 V., 9 kW) .....	1
39	00-853945	Element Assy. (208 V., 15 kW) .....	1
40	00-854295	Element Assy. (220 V., 9 kW) .....	1
41	00-854296	Element Assy. (220 V., 15 kW) .....	1
42	00-853212	Element Assy. (240 V., 9 kW) .....	1
43	00-853213	Element Assy. (240 V., 15 kW) .....	1
44	00-853944	Element Assy. (480 V., 9 kW) .....	1
45	00-853943	Element Assy. (480 V., 15 kW) .....	1
46	00-853940	Decal – 60 Minute .....	1
47	00-881995	Timer Dial .....	1
48	00-844422	Power Switch .....	1
49	00-853152	Pilot Light – Red .....	1
50	00-853151	Pilot Light – Green .....	1
51	00-854434	Control Decal (ML-126826) .....	1
52	00-854435	Control Decal (ML-126827) .....	1
53	00-853942	Element Front Cover .....	1
54	00-853952	Vent Baffle Assy. ....	1
55	00-850448	Hinge Rod (ML-126826) .....	1
56	00-851004	Hinge Rod (ML-126827) .....	1
57	00-853941	Left-Hand Side and Back Panel (ML-126826) .....	1
58	00-853955	Left-Hand Side and Back Panel (ML-126827) .....	1
59	00-853947	Top Cover .....	1
	00-840499	Pan Rack (ML-126826) .....	2
	00-843860	Pan Rack (ML-126827) .....	2
	00-851759	Pan Rack Hanger Assy. ....	4
	00-853990	Wire Harness Assy. ....	1
	00-881978	Transformer (Step-Down) (480 V. Only) .....	1



**DOOR ASSEMBLY**

ILLUS.	PART NO.	NAME OF PART	AMT.
	PL-55822		
1	00-840493	Door Bushing .....	3
2	00-844195	Door Panel (ML-126826) .....	1
3	00-845588	Door Panel (ML-126827) .....	1
4	00-844196	Door Gasket (ML-126826) .....	1
5	00-844385	Door Gasket (ML-126827) .....	1
6	00-851224	Gasket Plate (ML-126826) .....	1
7	00-851418	Gasket Plate (ML-126827) .....	1
8	00-844453	Screw 10-32 x 1/2 Dimple Hd. ....	AR
9	SC-110-97	Mach. Screw 10-32 x 1/2 Slotted Truss Hd. ....	4
10	00-844193	Door Handle Assy. ....	1
11	00-850193	Door Handle Decal .....	1
12	00-844192	Door Frame (ML-126826) .....	1
13	00-845586	Door Frame (ML-126827) .....	1
14	00-844194	Latch Assy. ....	1
	00-844191	Door Assy. (ML-126826) .....	1
	00-845584	Door Assy. (ML-126827) .....	1