



# CATALOG OF REPLACEMENT PARTS



## HP SERIES PROOFER

### MODEL HP1

ML-132394  
ML-132395  
ML-132396  
ML-132397  
ML-132398  
ML-132399  
ML-132400  
ML-132401  
ML-132402  
ML-132403  
ML-132404  
ML-132405

### MODEL HP2

ML-132291  
ML-132292  
ML-132293  
ML-132294  
ML-132295  
ML-132296  
ML-132303  
ML-132304  
ML-132305  
ML-132306  
ML-132307  
ML-132308

### MODEL HP3

ML-132367

## PRIOR MLS COVERED IN THIS CATALOG

### MODEL HP1

ML-132285  
ML-132286  
ML-132287  
ML-132288  
ML-132289  
ML-132290  
ML-132298  
ML-132299  
ML-132301  
ML-132302

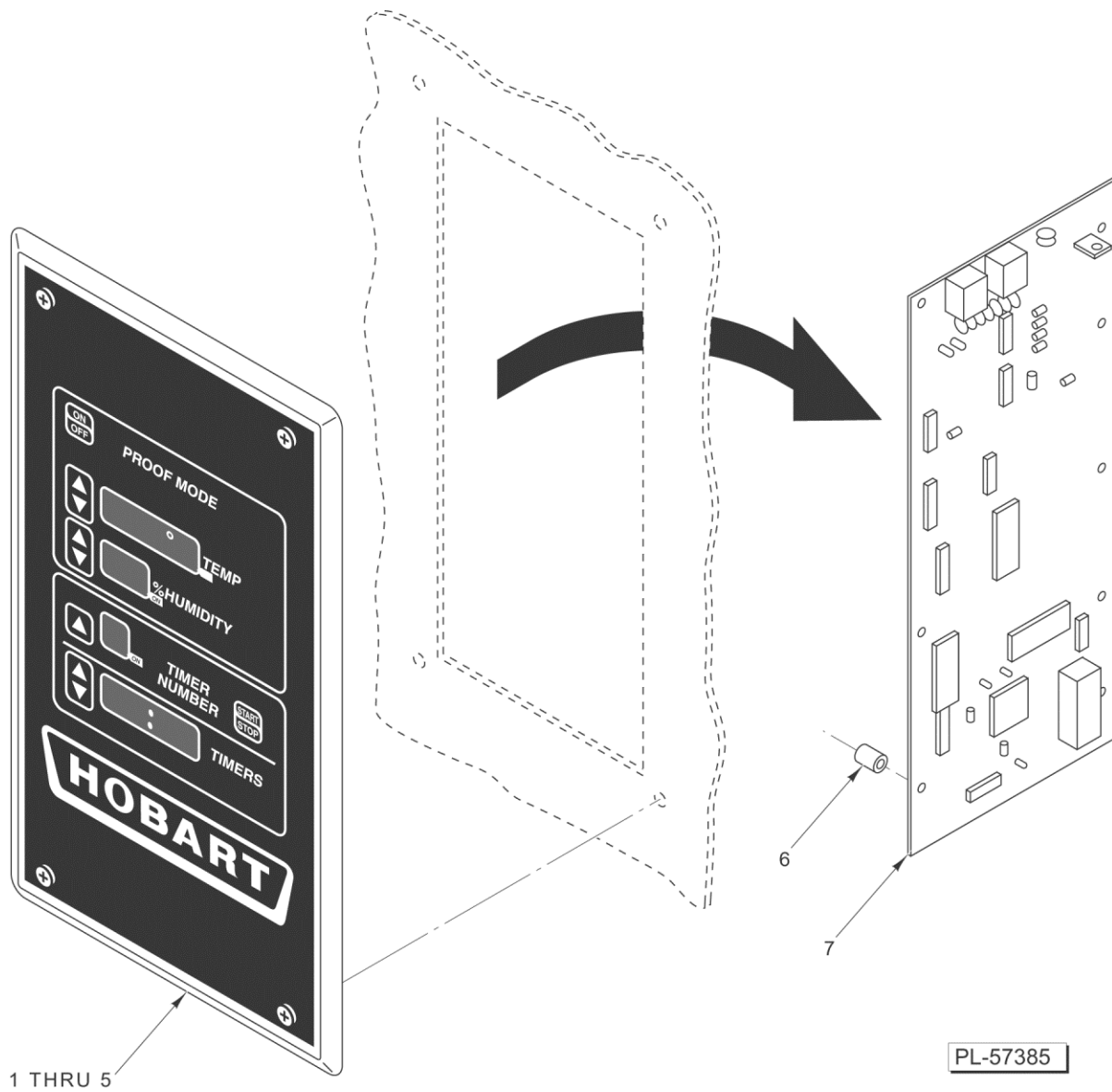
**ML-132289**  
**ML-132290**  
**ML-132298**  
**ML-132299**  
**ML-132301**  
**ML-132302**





**Table of Contents**

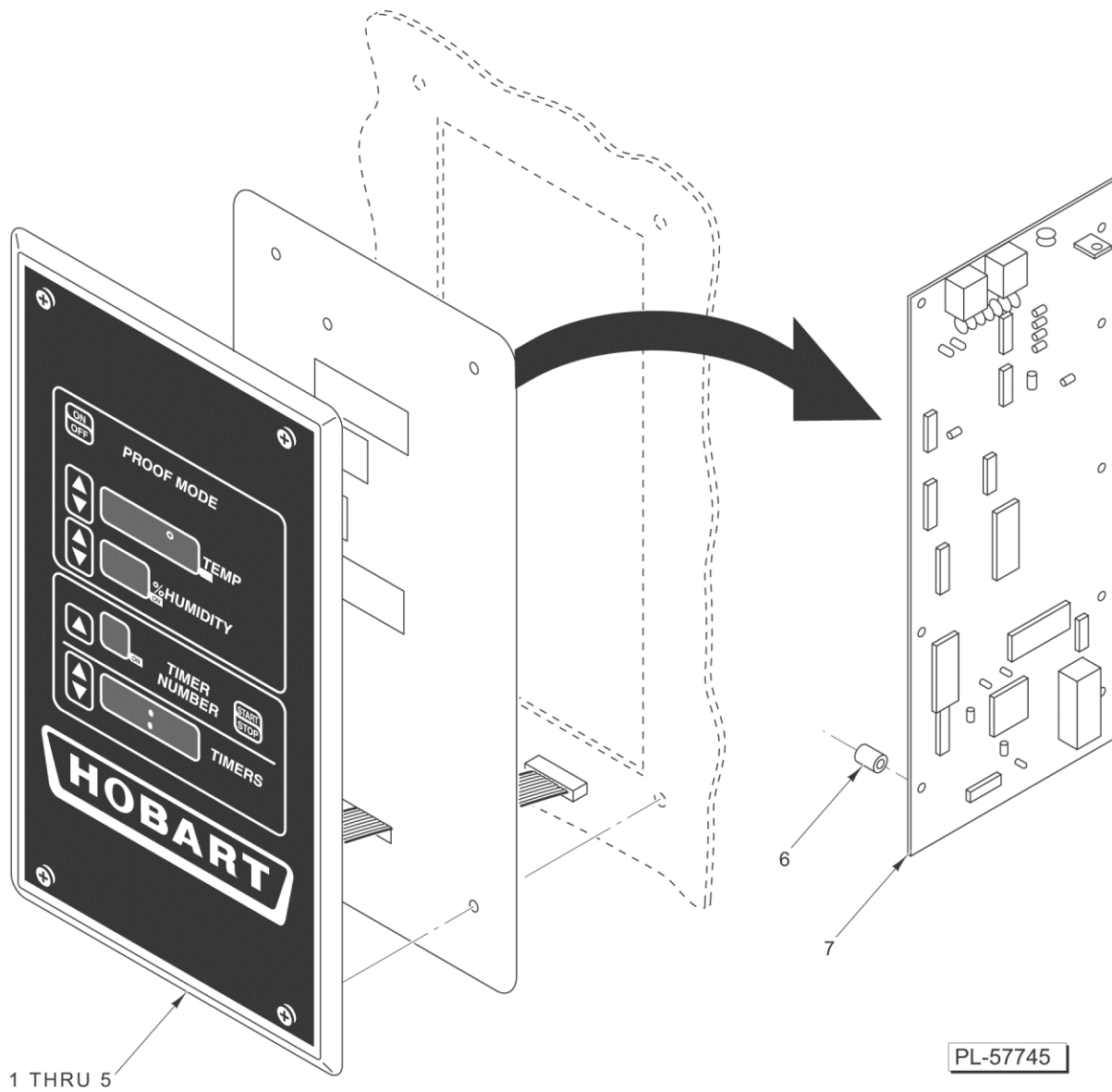
7 CONTROL PANEL (PREV. CONSTRUCTION, MFD PRIOR TO 1/3/05)  
9 CONTROL PANEL (CURRENT CONSTRUCTION, MFD AFTER 1/3/05)  
11 SERVICE ENTRANCE (PREVIOUS CONSTRUCTION)  
13 SERVICE ENTRANCE (CURRENT CONSTRUCTION)  
15 SINGLE WIDE CABINET (PREV. CONSTRUCTION, MFD PRIOR TO 1/3/05)  
17 SINGLE WIDE CABINET (CURRENT CONSTRUCTION, MFD AFTER 1/3/05)  
19 DOUBLE WIDE CABINET (PREV. CONSTRUCTION, MFD PRIOR TO 1/3/05)  
23 DOUBLE WIDE CABINET (CURRENT CONSTRUCTION, MFD AFTER 5/1/05)  
25 TRIPLE WIDE CABINET (ML-132367) (PREV. CONSTRUCTION, MFD PRIOR TO 1/3/05)  
27 TRIPLE WIDE CABINET (ML-132367) (CURRENT CONSTRUCTION, MFD AFTER 1/3/05)  
29 SINGLE DOOR ASSEMBLY (PREV. CONSTRUCTION, MFD PRIOR TO 1/3/05)  
31 SINGLE DOOR ASSEMBLY(CURRENT CONSTRUCTION, MFD AFTER 1/3/05)  
33 DOUBLE DOOR ASSEMBLY  
35 TRIPLE DOOR ASSEMBLY (ML-132367)  
37 TRIM AND INTERIOR BUMPERS (PREVIOUS CONSTRUCTION)  
39 TRIM AND INTERIOR BUMPERS (CURRENT CONSTRUCTION)  
41 STEAM UNIT  
43 DRAIN ASSEMBLY  
45 EXTERIOR WATER SUPPLY



**CONTROL PANEL  
(PREV. CONSTRUCTION, MFD PRIOR TO 1/3/05)**

**CONTROL PANEL  
(PREV. CONSTRUCTION, MFD PRIOR TO 1/3/05)**

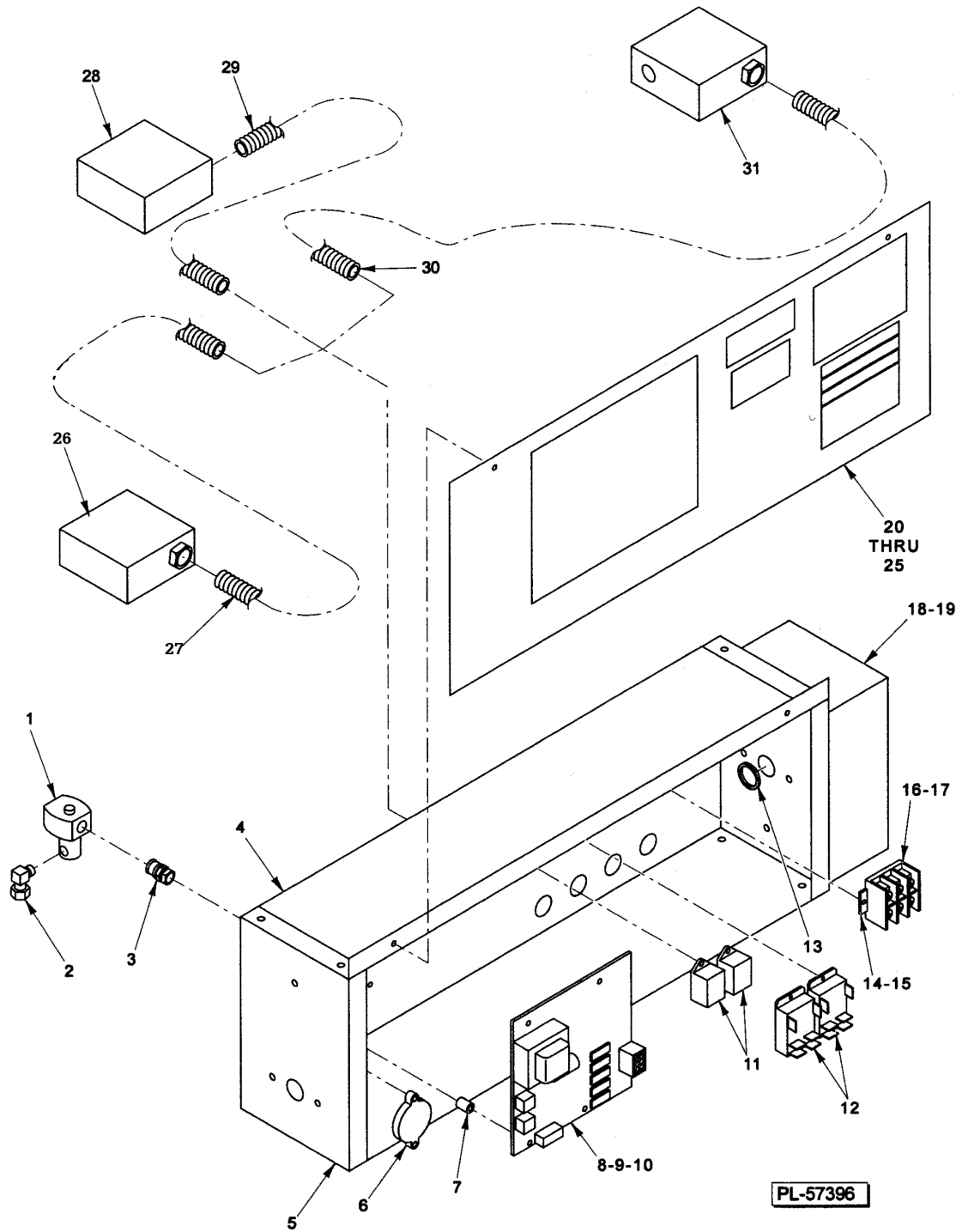
ILLUS.	PART NO.	NAME OF PART	AMT.
PL-57385			
1	01-1P2168-00001	Plate - Control Panel.....	1
2	01-1P2024-00002	Plate - Control Panel (Blank).....	1
3	01-100V21-00092	Gasket 4 Ft.....	AR
4	01-1P1854-00001	Panel - Control (Incls. Items 1, 3, 5, 6, & 7).....	1
5	01-100V16-0279H	Overlay.....	1
6	01-1M3001-00003	Spacer - PC Board.....	8
7	01-1P1255-00005	Board - PC Control.....	1



**CONTROL PANEL  
(CURRENT CONSTRUCTION, MFD AFTER 1/3/05)**

**CONTROL PANEL  
(CURRENT CONSTRUCTION, MFD AFTER 1/3/05)**

<b>ILLUS.</b>	<b>PART NO.</b>	<b>NAME OF PART</b>	<b>AMT.</b>
PL-57745			
1	01-1P2168-00003	Plate - Control Panel.....	1
2	01-1P2024-00002	Plate - Control Panel (Blank).....	1
3	01-100V21-00092	Gasket 4 Ft.....	AR
4	01-1P1854-00003	Panel - Control (Advanced) (Incls. Items 1, 3, 5, 6, & 7).....	1
5	01-100V16-0599H	Overlay.....	1
6	01-1M3001-00003	Spacer - PC Board.....	8
7	01-100V16-00624	Board - PC Control.....	1

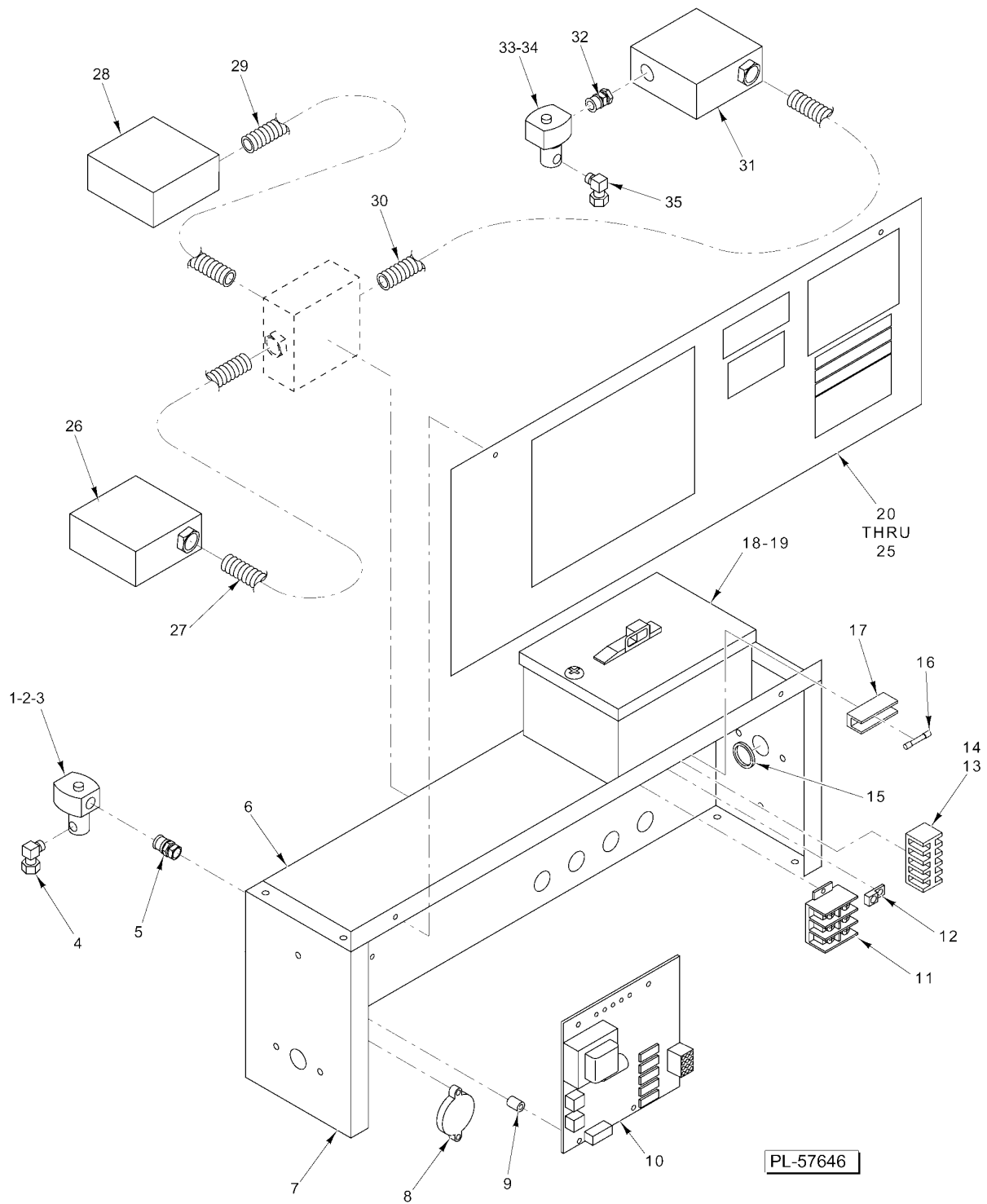


**SERVICE ENTRANCE  
(PREVIOUS CONSTRUCTION)**

**SERVICE ENTRANCE  
(PREVIOUS CONSTRUCTION)**

**SERVICE ENTRANCE  
(PREVIOUS CONSTRUCTION)**

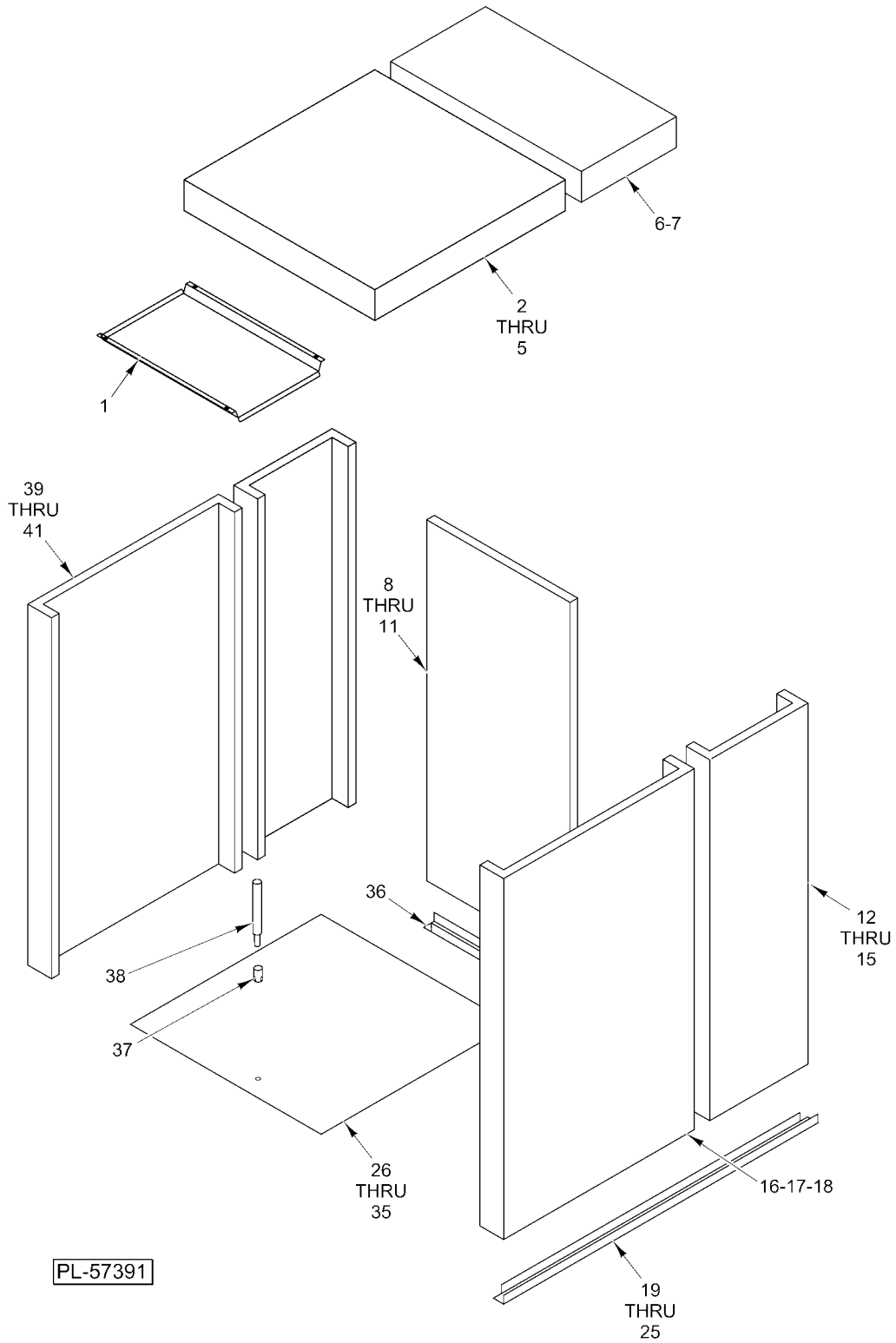
ILLUS.	PART NO.	NAME OF PART	AMT.
PL-57396			
1	01-1P2030-00101	Solenoid Assy. (1- & 2-Duct Unit).....	1
2	01-100V17-00339	Elbow 90 Deg. 3/8 NPTM x 3/8 CC (Brass).....	1
3	01-100V11-00102	Pipe - Bushed Chase (1/2 NPT).....	1
4	01-1P2025-00001	Box - Component.....	1
5	01-1P2026-00001	Panel - Side, Component Box.....	2
6	01-1P1749-00001	Beeper Assy.....	1
7	01-1000V5-00164	Spacer.....	4
8	01-1P1384-00003	Conduit - Wire Package (1-Wide).....	1
9	01-1P1384-00004	Conduit - Wire Package (2-Wide).....	1
10	01-1P1214-00006	Board - Power Supply.....	1
11	01-1000V6-00070	Relay - Fan DPDT 1/4Hp., 120 VAC.....	AR
12	01-1000V6-00225	Relay - Heater.....	1
13	01-1000V5-00059	Bushing - Snap.....	1
14	01-1000V5-00105	Terminal (1 & 2 Duct).....	AR
15	01-1000V5-00209	Terminal (3 Duct).....	1
16	01-1000V5-00106	End - Section (600 V.).....	1
17	01-1000V5-00210	End - Section Flat Base.....	1
18	01-1000V6-00191	Breaker - Circuit (15 A., 120/240 V.).....	1
19	01-100V11-00139	Box - Breaker.....	1
20	01-1P1869-00001	Cover Assy. - Component Box (1 Duct Unit, 1 Ph.).....	1
21	01-1P1869-00002	Cover Assy. - Component Box (2 Duct Unit, 1 Ph.).....	1
22	01-1P1869-00003	Cover Assy. - Component Box (3 Duct Unit, 1 Ph.).....	1
23	01-1P1869-00004	Cover Assy. - Component Box (1 Duct Unit, 3 Ph.).....	1
24	01-1P1869-00005	Cover Assy. - Component Box (2 Duct Unit, 3 Ph.).....	1
25	01-1P1869-00006	Cover Assy. - Component Box (3 Duct Unit, 3 Ph.).....	1
26	01-1P2048-00001	Box Assy. - Junction.....	2
27	01-1P2030-00201	Conduit - Air Duct (1-, 2-, & 3-Duct Unit).....	1
28	01-1P2048-00001	Box Assy. - Junction.....	1
29	01-1P2030-00203	Conduit - Air Duct (3-Duct Unit).....	1
30	01-1P2030-00202	Conduit - Air Duct (2- & 3-Duct Unit).....	1
31	01-1P2048-00001	Box Assy. - Junction.....	1
	01-1P2030-00010	Box - Standard Control (1-Duct Unit, 1 & 3 Ph.).....	1
	01-1P2030-00011	Box - Standard Control (2-Duct Unit, 3 Ph.).....	1
	01-1P2030-00013	Box - Standard Control (3-Duct Unit, 3 Ph.).....	1
	01-1P2030-00015	Box - Standard Control (2-Duct Unit, 1 Ph.).....	1
	01-1P2030-00016	Box - Standard Control (3-Duct Unit, 1 Ph.).....	1
	01-1P2030-00001	Box - Standard Control (1-Duct Unit).....	1
	01-1P2030-00002	Box - Standard Control (2-Duct Unit).....	1
	01-1P2030-00003	Box - Standard Control (3-Duct Unit).....	1
	01-1P2030-00017	Box - Advanced Control (1-Duct Unit, 1 & 3 Ph.).....	1
	01-1P2030-00018	Box - Advanced Control (2-Duct Unit, 1 Ph.).....	1
	01-1P2030-00019	Box - Advanced Control (2-Duct Unit, 3 Ph.).....	1
	01-1P2030-00020	Box - Advanced Control (3-Duct Unit, 1 Ph.).....	1
	01-1P2030-00021	Box - Advanced Control (3-Duct Unit, 3 Ph.).....	1
	01-1000V6-00241	(1-Duct Unit) Holder - Fuse (Single).....	1
	01-1000V6-00242	(2-Duct Unit) Holder - Fuse (Double).....	1
	01-1000V6-00243	(3-Duct Unit) Holder - Fuse (Triple).....	1
	01-1000V6-00244	Fuse (20 Amp.).....	AR



**SERVICE ENTRANCE  
(CURRENT CONSTRUCTION)**

**SERVICE ENTRANCE  
(CURRENT CONSTRUCTION)**

ILLUS. PL-57646	PART NO.	NAME OF PART	AMT.
1	01-1P2030-00101	Solenoid Assy. (1- & 2-Duct Unit).....	1
2	01-1P2030-00102	Solenoid Assy. (3-Duct Unit).....	1
3	01-100V17-00075	Valve - Solenoid (2-Way).....	1
4	01-100V17-00339	Elbow 90 Deg. 3/8 NPTM x 3/8 CC (Brass).....	1
5	01-100V11-00102	Pipe - Bushed Chase (1/2 NPT).....	1
6	01-1P2025-00003	Base - Component.....	1
7	01-1P2026-00002	Panel - Side (Component Box).....	2
8	01-1P1749-00001	Beeper Assy.....	1
9	01-1000V5-00164	Spacer.....	4
10	01-100V16-00627	Board - Power Supply (Advanced).....	1
11	01-1000V5-00096	Block - Distribution.....	1
12	01-1000V5-00037	Lug - Terminal.....	1
13	01-100V10-00234	Terminal - Section, Flat Mount (600 V.).....	1
14	01-100V10-00235	End - Section, Flat Mount (600 V.).....	1
15	01-1000V5-00059	Bushing - Snap.....	1
16	01-100V10-00245	Fuse (25 Amp.) (1 & 3 Ph. & 3 PH.).....	AR
17	01-100V10-00232	Fuse Holder.....	AR
18	01-1000V6-00191	Breaker - Circuit (15 A., 120/240 V.).....	1
19	01-100V11-00139	Box - Breaker.....	1
20	01-1P2196-00001	Cover Assy. - Component Box (1-Duct Unit, 1 Ph.).....	1
21	01-1P2196-00002	Cover Assy. - Component Box (2-Duct Unit, 1 Ph.).....	1
22	01-1P2196-00003	Cover Assy. - Component Box (3-Duct Unit, 1 Ph.).....	1
23	01-1P2196-00004	Cover Assy. - Component Box (1-Duct Unit, 3 Ph.).....	1
24	01-1P2196-00005	Cover Assy. - Component Box (2-Duct Unit, 3 Ph.).....	1
25	01-1P2196-00006	Cover Assy. - Component Box (3-Duct Unit, 3 Ph.).....	1
26	01-100V11-0024C	Box Assy. - Junction.....	AR
27	01-1P2030-00201	Conduit - First Air Duct (1-, 2-, & 3-Duct Unit).....	1
28	01-100V11-0024C	Box Assy. - Junction.....	1
29	01-1P2030-00202	Conduit - Second Air Duct (2- & 3-Duct Unit).....	1
30	01-1P2030-00203	Conduit - Third Air Duct (3-Duct Unit).....	1
31	01-100V11-0024C	Box Assy. - Junction.....	1
32	01-100V11-00102	Nipple - Bushed Chased.....	1
33	01-100V17-00075	Valve - Solenoid 2-Way.....	1
34	01-1P2030-00103	Solenoid Assy. (3-Duct Unit).....	1
35	01-100V17-00339	Elbow 90 Deg. 3/8 NPTM x 3/8 CC (Brass).....	1
	01-1P1875-00002	Sensor Assy. - Humidity W/Filter.....	1
	01-1P2030-00017	Box - Advanced Control (1-Duct Unit, 1 & 3 Ph.).....	1
	01-1P2030-00018	Box - Advanced Control (2-Duct Unit, 1 Ph.).....	1
	01-1P2030-00019	Box - Advanced Control (2-Duct Unit, 3 Ph.).....	1
	01-1P2030-00020	Box - Advanced Control (3-Duct Unit, 1 Ph.).....	1
	01-1P2030-00021	Box - Advanced Control (3-Duct Unit, 3 Ph.).....	1

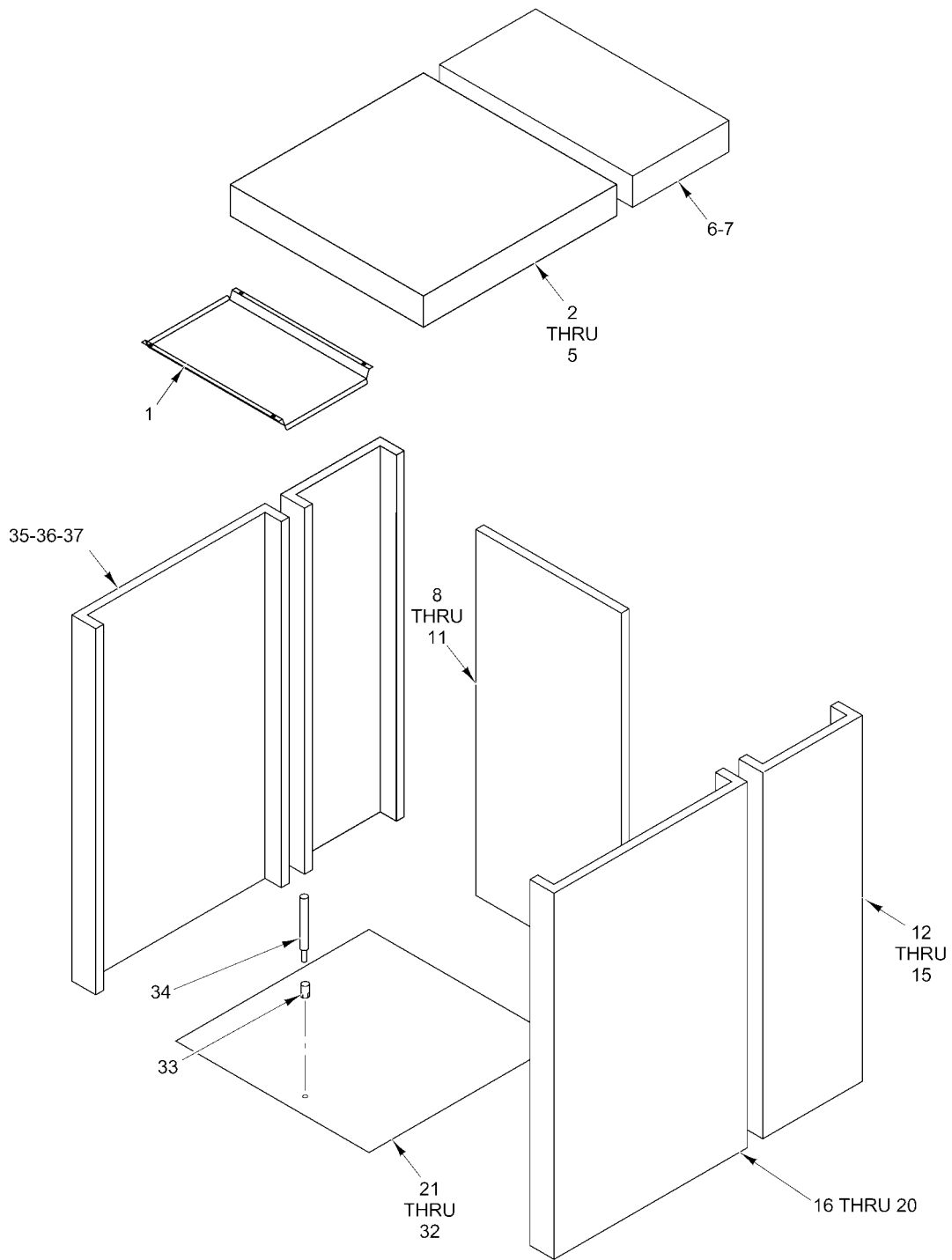


**SINGLE WIDE CABINET  
(PREV. CONSTRUCTION, MFD PRIOR TO 1/3/05)**

**SINGLE WIDE CABINET  
(PREV. CONSTRUCTION, MFD PRIOR TO 1/3/05)**

ILLUS. PL-57391	PART NO.	NAME OF PART	AMT.
1	01-1P1898-00001	Duct - Ceiling.....	1
2	01-1P1851-00001	Panel - Ceiling.....	AR
3	01-100V5-00059	Bushing - Snap (Plastic).....	AR
4	01-100V5-00073	Bushing - Snap.....	AR
*5	01-100V21-00092	Gasket - PVC-Extruded ("B" Shape).....	AR
6	01-1P1851-00002	Ceiling Assy. - Half Panel.....	1
*7	01-100V21-00092	Gasket - PVC-Extruded ( B Shape) 30 Ft.....	AR
8	01-1P1839-00001	Panel Assy. - Rear.....	1
9	01-100V18-00144	Latch - Cam Lock.....	2
10	01-100V18-00145	Receptacle - Cam Lock.....	2
*11	01-100V21-00092	Gasket - PVC-Extruded ("B" Shape).....	AR
12	01-100V18-00144	Latch - Cam Lock.....	AR
13	01-100V18-00145	Receptacle - Cam Lock.....	AR
*14	01-100V21-00092	Gasket - PVC-Extruded ("B" Shape).....	AR
15	01-1P1841-00002	Wall - Half Weldment.....	2
16	01-1P1841-00001	Wall Assy. (RH).....	1
17	01-100V18-00145	Receptacle - Cam Lock.....	AR
*18	01-100V21-00092	Gasket - PVC-Extruded ("B" Shape).....	AR
19	01-1P1997-00001	Channel - Base Side (30 In.).....	1
20	01-1P1997-00004	Channel - Base Side (50 In.).....	1
21	01-1P1997-00002	Channel - Base Side (63 In.).....	1
22	01-1P1997-00005	Channel - Base Side (83 In.).....	1
23	01-1P1997-00003	Channel - Base Side (96 In.).....	1
24	01-1P1997-00006	Channel - Base Side (116 In.).....	1
25	01-100V21-0005C	Caulk - Silicone (Clear) (Tube).....	1
26	01-1P2038-00001	Floor (30 In. STD).....	1
27	01-1P2038-00002	Floor (63 In. STD).....	1
28	01-1P2038-00005	Floor (83 In. STD).....	1
29	01-1P2038-00003	Floor (96 In. STD).....	1
30	01-1P2038-00006	Floor (116 In. STD).....	1
31	01-1P2038-0001P	Floor (30 In. Pass Thru).....	1
32	01-1P2038-0002P	Floor (63 In. Pass Thru).....	1
33	01-1P2038-0005P	Floor (83 In. Pass Thru).....	1
34	01-1P2038-0003P	Floor (96 In. Pass Thru).....	1
35	01-1P2038-0006P	Floor (116 In. Pass Thru).....	1
36	01-1P1996-00001	Channel - Base Rear.....	1
37	01-100V4-00073	Anchor - Drop-In 1/4-20.....	AR
38	01-100V4-0073A	Tool - Setting.....	1
39	01-1P1843-00002	Wall Assy. (LH).....	1
40	01-100V18-00144	Latch - Cam Lock.....	AR
*41	01-100V21-00092	Gasket - PVC-Extruded ("B" Shape).....	AR
	01-100V21-00057	Adhesive - Floor (11 Oz. Tube).....	AR
	01-100V19-00024	Trowel - Mastic (For Floor Adhesive).....	1
	01-1P2034-00001	Wire - Light Fixture Kit.....	1
	01-100V7-00019	Light Fixture.....	1
	01-100V11-0024A	Box - J.....	2
	01-100V5-00015	Nut - Wire.....	2
	01-100V15-00066	Plug - Button 1/2 In.....	AR
	01-100V15-00067	Plug - Button 7/8 In.....	9
	01-1P1907-00001	Panel - Stop Top.....	2
	01-1P1907-00002	Panel - Stop Top.....	1

\* Quantity Listed is Per Panel or Wall Assy.



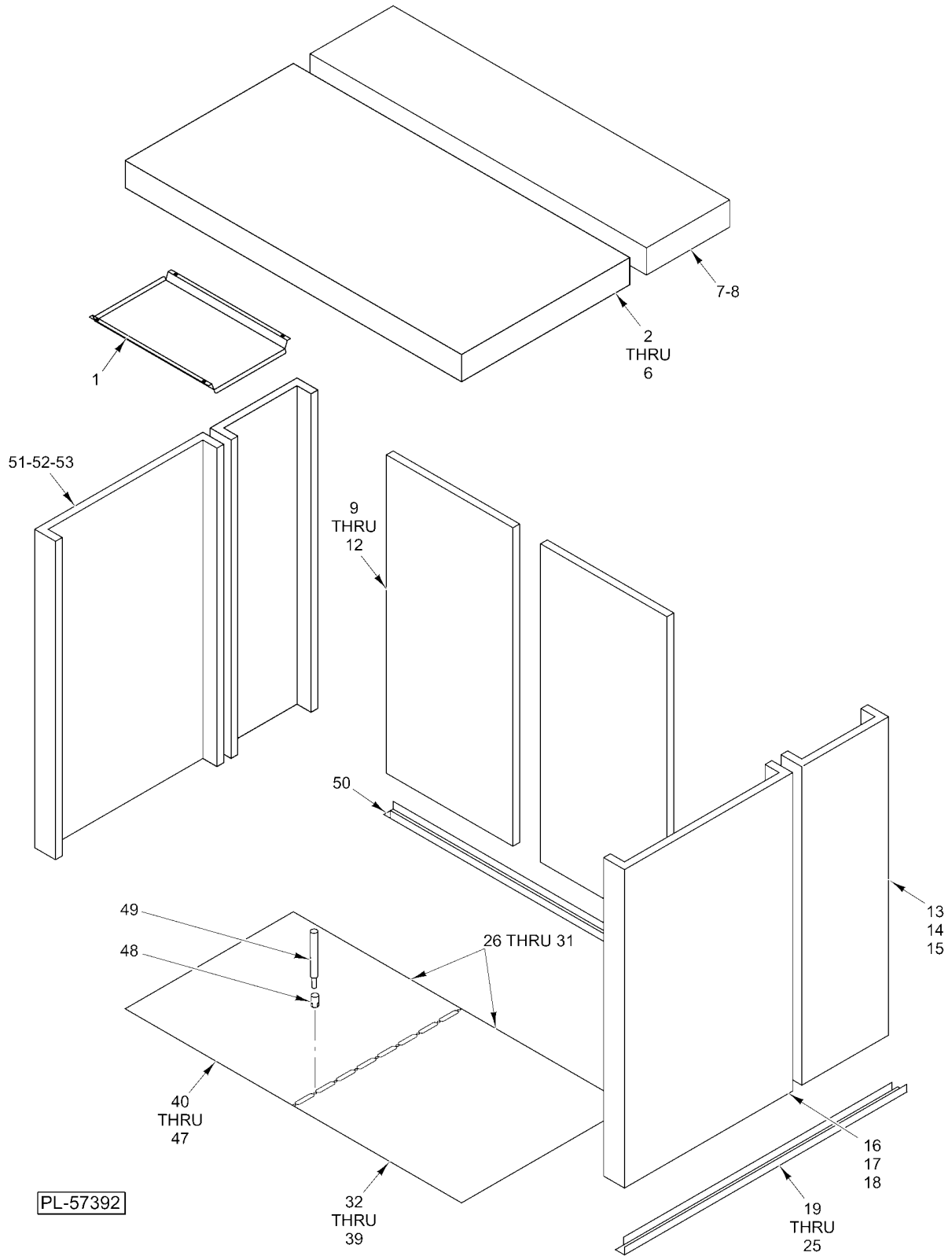
PL-57746

**SINGLE WIDE CABINET  
(CURRENT CONSTRUCTION, MFD AFTER 1/3/05)**

**SINGLE WIDE CABINET  
(CURRENT CONSTRUCTION, MFD AFTER 1/3/05)**

ILLUS. PL-57746	PART NO.	NAME OF PART	AMT.
1	01-1P1898-00001	Duct - Ceiling.....	1
2	01-1P1851-00004	Panel - Ceiling.....	AR
3	01-1000V5-00059	Bushing - Snap (Plastic).....	AR
4	01-1000V5-00073	Bushing - Snap.....	AR
*5	01-100V21-00092	Gasket - PVC-Extruded ("B" Shape).....	AR
6	01-1P1851-00005	Ceiling Assy. - Half Panel.....	1
*7	01-100V21-00092	Gasket - PVC-Extruded ("B" Shape).....	AR
8	01-1P1839-00004	Panel Assy. - Rear.....	1
9	01-100V18-00144	Latch - Cam Lock.....	2
10	01-100V18-00145	Receptacle - Cam Lock.....	2
*11	01-100V21-00092	Gasket - PVC-Extruded ("B" Shape).....	AR
12	01-100V18-00144	Latch - Cam Lock.....	AR
13	01-100V18-00145	Receptacle - Cam Lock.....	AR
*14	01-100V21-00092	Gasket - PVC-Extruded ("B" Shape).....	AR
15	01-1P1841-00002	Wall - Half Weldment.....	1
16	01-1P1841-00003	Wall Assy. (RH).....	1
17	01-1P1841-00004	Wall Assy. (RH, 1/2 Panel).....	1
18	01-1P1841-00005	Wall Assy. (RH, 1 Wide Rear).....	1
19	01-100V18-00145	Receptacle - Cam Lock.....	AR
*20	01-100V21-00092	Gasket - PVC-Extruded ("B" Shape).....	AR
21	01-1P2223-00030	Floor (30 In. STD).....	1
22	01-1P2223-00050	Floor (50 In. STD).....	1
23	01-1P2223-00063	Floor (63 In. STD).....	1
24	01-1P2223-00083	Floor (83 In. STD).....	1
25	01-1P2223-00096	Floor (96 In. STD).....	1
26	01-1P2223-00116	Floor (116 In. STD).....	1
27	01-1P2223-0030P	Floor (30 In. Pass Thru).....	1
28	01-1P2223-0050P	Floor (50 In. Pass Thru).....	1
29	01-1P2223-0063P	Floor (63 In. Pass Thru).....	1
30	01-1P2223-0083P	Floor (83 In. Pass Thru).....	1
31	01-1P2223-0096P	Floor (96 In. Pass Thru).....	1
32	01-1P2223-0116P	Floor (116 In. Pass Thru).....	1
33	01-1000V4-00073	Anchor - Drop-In 1/4-20.....	AR
34	01-1000V4-0073A	Tool - Setting.....	1
35	01-1P1843-00002	Wall Assy. (LH).....	1
36	01-100V18-00144	Latch - Cam Lock.....	AR
*37	01-100V21-00092	Gasket - PVC-Extruded ("B" Shape).....	AR
	01-100V21-00057	Adhesive - Floor (11 Oz. Tube).....	AR
	01-100V19-00024	Trowel - Mastic (For Floor Adhesive).....	1
	01-1P2034-00001	Wire - Light Fixture Kit.....	1
	01-1000V7-00019	Light Fixture.....	1
	01-100V11-0024A	Box - J.....	2
	01-1000V5-00015	Nut - Wire.....	2
	01-100V15-00066	Plug - Button 1/2 In.....	AR
	01-100V15-00067	Plug - Button 7/8 In.....	9
	01-1P1907-00001	Panel - Stop Top.....	2
	01-1P1907-00002	Panel - Stop Top.....	1

\* Quantity Listed is Per Panel or Wall Assy.



**DOUBLE WIDE CABINET  
(PREV. CONSTRUCTION, MFD PRIOR TO 1/3/05)**

**DOUBLE WIDE CABINET  
(PREV. CONSTRUCTION, MFD PRIOR TO 1/3/05)**

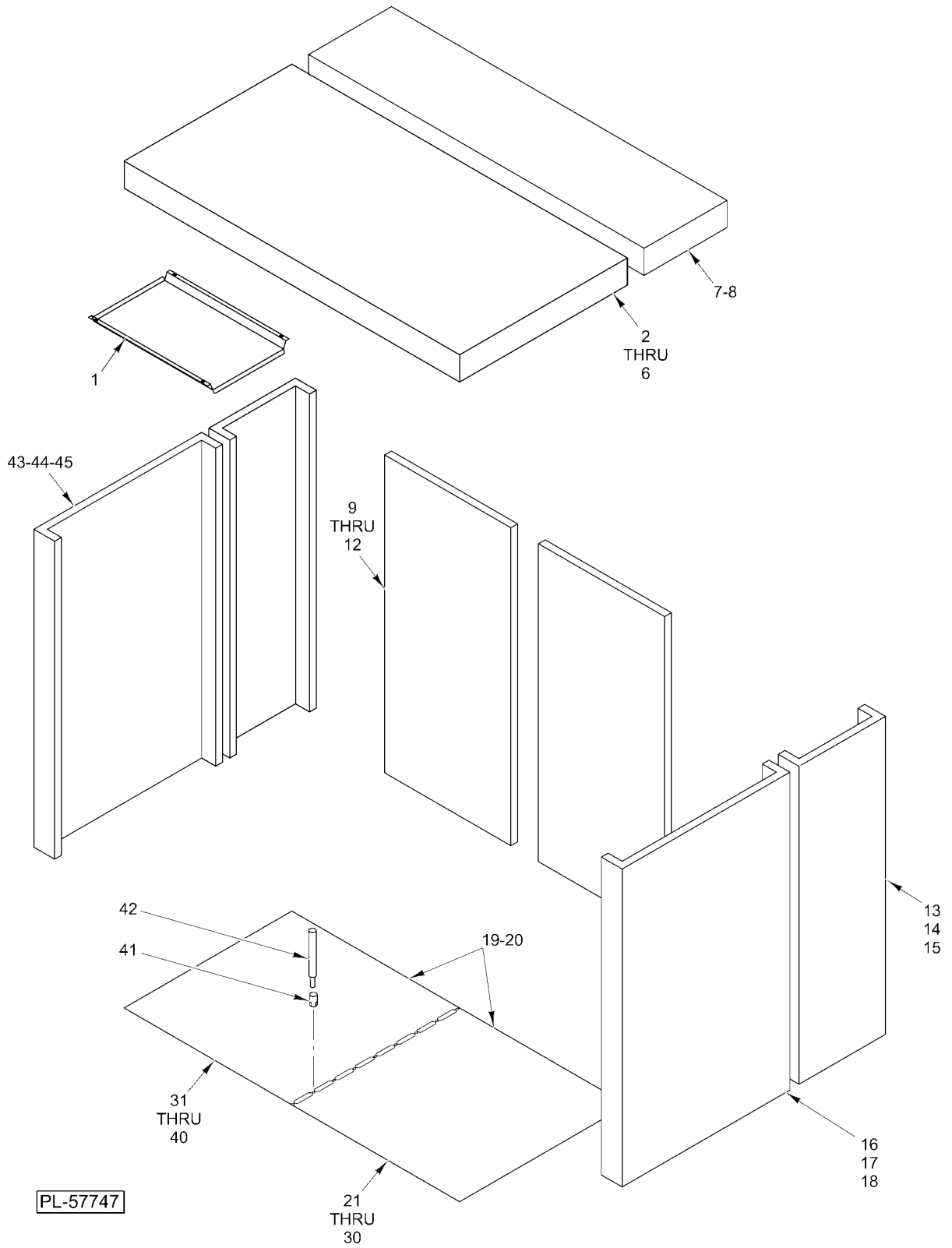
ILLUS.	PART NO.	NAME OF PART	AMT.
PL-57392			
1	01-1P1898-00001	Duct - Ceiling.....	1
2	01-1P1853-00001	Panel - Ceiling.....	AR
3	01-1000V5-00059	Bushing - Snap (Plastic).....	AR
4	01-1000V5-00073	Bushing - Snap.....	AR
5	01-100V15-00067	Plug - Button 7/8 In.....	2
*6	01-100V21-00092	Gasket - PVC Extruded ("B" Shape) 30 Ft.....	AR
7	01-1P1853-00002	Ceiling Assy. - Half Panel.....	1
*8	01-100V21-00092	Gasket - PVC Extruded ("B" Shape) 30 Ft.....	AR
9	01-1P1839-00001	Panel Assy. - Rear.....	2
10	01-100V18-00144	Latch - Cam Lock.....	2
11	01-100V18-00145	Receptacle - Cam Lock.....	2
*12	01-100V21-00092	Gasket - PVC-Extruded ("B" Shape).....	AR
13	01-1P1841-00002	Wall - Half Weldment.....	2
14	01-100V18-00144	Latch - Cam Lock.....	AR
15	01-100V18-00145	Receptacle - Cam Lock.....	AR
16	01-1P1841-00001	Wall Assy. (RH).....	1
17	01-100V18-00145	Receptacle - Cam Lock.....	AR
*18	01-100V21-00092	Gasket - PVC-Extruded ("B" Shape).....	AR
19	01-1P1997-00001	Channel - Base Side (30 In.).....	1
20	01-1P1997-00004	Channel - Base Side (50 In.).....	1
21	01-1P1997-00002	Channel - Base Side (63 In.).....	1
22	01-1P1997-00005	Channel - Base Side (83 In.).....	1
23	01-1P1997-00003	Channel - Base Side (96 In.).....	1
24	01-1P1997-00006	Channel - Base Side (116 In.).....	1
25	01-100V21-0005C	Caulk - Silicone (Clear) (Tube).....	1
26	01-1P2017-00002	Floor (30 In. STD).....	1
27	01-1P2017-00003	Floor (50 In. STD).....	1
28	01-1P2017-0003L	Floor(50 In. LH).....	1
29	01-1P2017-0003R	Floor (50 In RH).....	1
30	01-1P2037-0002P	Floor (30 In. Pass Thru).....	1
31	01-1P2037-0003P	Floor (50 In. Pass Thru).....	1
32	01-1P2017-0004R	Floor (63 In. STD, RH).....	1
33	01-1P2017-0005R	Floor (83 In. STD, RH).....	1
34	01-1P2017-0006R	Floor (96 In. STD, RH).....	1
35	01-1P2017-0007R	Floor (116 In. STD, RH).....	1
36	01-1P2037-004PR	Floor (63 In. Pass Thru, RH).....	1
37	01-1P2037-005PR	Floor (83 In. Pass Thru, RH).....	1
38	01-1P2037-006PR	Floor (96 In. Pass Thru, RH).....	1
39	01-1P2037-007PR	Floor (116 In. Pass Thru, RH).....	1
40	01-1P2017-00004	Floor (63 In. STD, LH).....	1
41	01-1P2017-00005	Floor (83 In. STD, LH).....	1
42	01-1P2017-00006	Floor (96 In. STD, LH).....	1
43	01-1P2017-00007	Floor (116 In. STD, LH).....	1
44	01-1P2037-0004P	Floor (63 In. Pass Thru, LH).....	1
45	01-1P2037-0005P	Floor (83 In. Pass Thru, LH).....	1
46	01-1P2037-0006P	Floor (96 In. Pass Thru, LH).....	1
47	01-1P2037-0007P	Floor (116 In. Pass Thru, LH).....	1
48	01-1000V4-00073	Anchor - Drop-In 1/4-20.....	AR
49	01-1000V4-0073A	Tool - Setting.....	1
50	01-1P1996-00002	Channel - Base Rear.....	1
*51	01-100V21-00092	Gasket - PVC Extruded ("B" Shape) 30 Ft.....	AR
52	01-100V18-00144	Latch - Cam Lock.....	AR
53	01-1P1843-00003	Wall Assy. (LH).....	1
	01-100V21-00057	Adhesive - Floor (11 Oz. Tube).....	AR
	01-100V19-00024	Trowel - Mastic (For Floor Adhesive).....	1

**DOUBLE WIDE CABINET  
(PREV. CONSTRUCTION, MFD PRIOR TO 1/3/05)**

ILLUS.	PART NO.	NAME OF PART	AMT.
PL-57392	01-1P2034-00001	Wire - Light Fixture Kit.....	1
	01-1000V7-00019	Light Fixture.....	1
	01-1000V5-00015	Nut - Wire.....	2
	01-100V15-00066	Plug - Button 1/2 In.....	AR
	01-100V15-00067	Plug - Button 7/8 In.....	AR
	01-1P1907-00001	Panel - Stop, Top.....	2
	01-1P1907-00002	Panel - Stop, Top.....	1

\* Quantity Listed is Per Panel or Wall Assy.

## NOTES

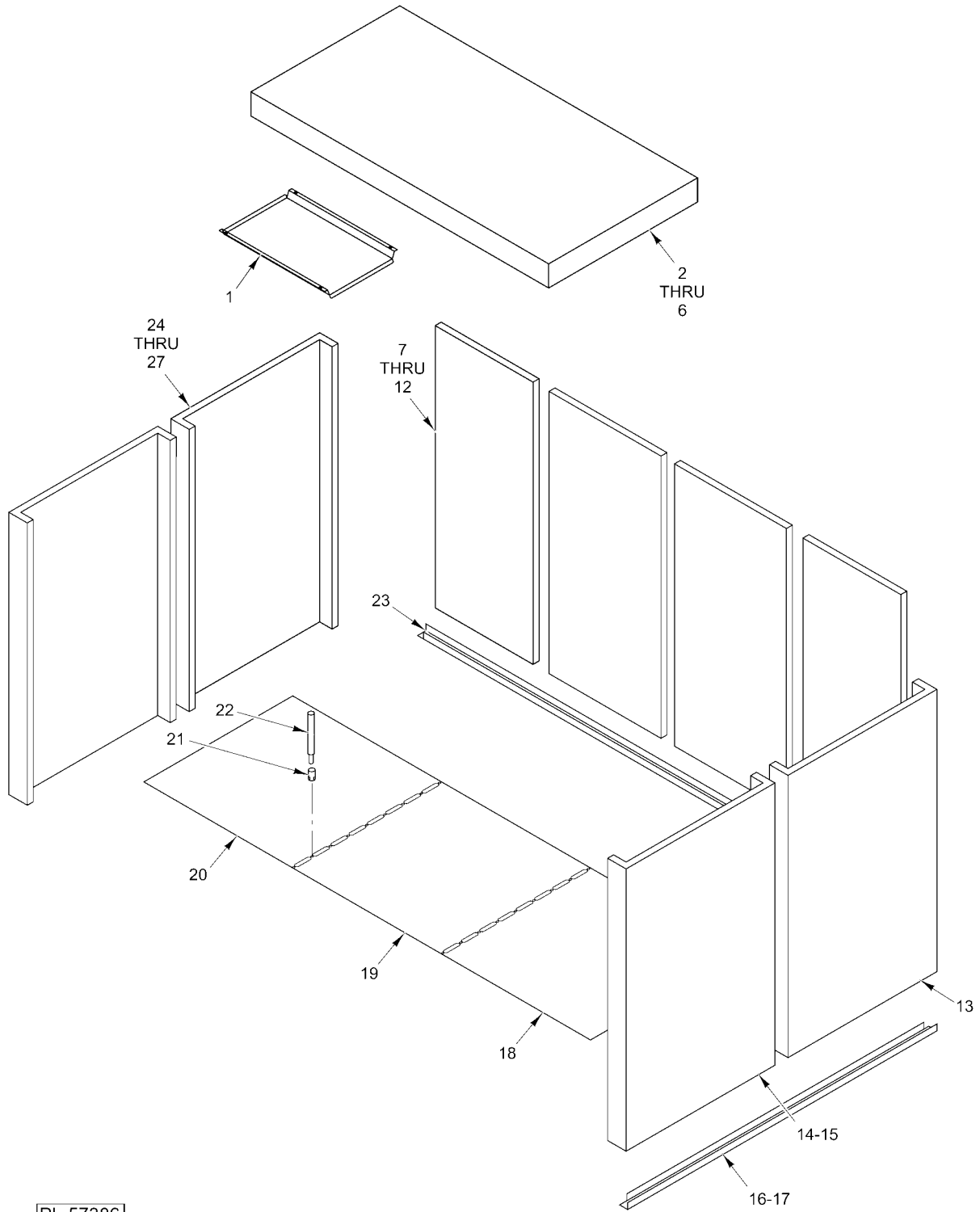


**DOUBLE WIDE CABINET  
(CURRENT CONSTRUCTION, MFD AFTER 5/1/05)**

**DOUBLE WIDE CABINET  
(CURRENT CONSTRUCTION, MFD AFTER 5/1/05)**

ILLUS. PL-57747	PART NO.	NAME OF PART	AMT.
1	01-1P1898-00001	Duct - Ceiling.....	1
2	01-1P1853-00001	Panel - Ceiling.....	AR
3	01-1000V5-00059	Bushing - Snap (Plastic).....	AR
4	01-1000V5-00073	Bushing - Snap.....	AR
5	01-100V15-00067	Plug - Button 7/8 In.....	2
*6	01-100V21-00092	Gasket - PVC Extruded ("B" Shape) 30 Ft.....	AR
7	01-1P1853-00002	Ceiling Assy. - Half Panel.....	1
*8	01-100V21-00092	Gasket - PVC Extruded ("B" Shape) 30 Ft.....	AR
9	01-1P1839-00001	Panel Assy. - Rear.....	1
10	01-100V18-00144	Latch - Cam Lock.....	2
11	01-100V18-00145	Receptacle - Cam Lock.....	2
*12	01-100V21-00092	Gasket - PVC-Extruded ("B" Shape).....	AR
13	01-1P1841-00002	Wall - Half Weldment.....	2
14	01-100V18-00144	Latch - Cam Lock.....	AR
15	01-100V18-00145	Receptacle - Cam Lock.....	AR
16	01-1P1841-00001	Wall Assy. (RH).....	1
17	01-100V18-00145	Receptacle - Cam Lock.....	AR
*18	01-100V21-00092	Gasket - PVC-Extruded ("B" Shape).....	AR
19	01-1P2224-00030	Floor (30 In. STD).....	1
20	01-1P2224-0030P	Floor (30 In. Pass Thru).....	1
21	01-1P2224-0050R	Floor (50 In. STD, RH).....	1
22	01-1P2224-0063R	Floor (63 In. STD, RH).....	1
23	01-1P2224-0083R	Floor (83 In. STD, RH).....	1
24	01-1P2224-0096R	Floor (96 In. STD, RH).....	1
25	01-1P2224-0116R	Floor (116 In. STD, RH).....	1
26	01-1P2224-050RP	Floor (50 In. Pass Thru, RH).....	1
27	01-1P2224-063RP	Floor (63 In. Pass Thru, RH).....	1
28	01-1P2224-083RP	Floor (83 In. Pass Thru, RH).....	1
29	01-1P2224-096RP	Floor (96 In. Pass Thru, RH).....	1
30	01-1P2224-116RP	Floor (116 In. Pass Thru, RH).....	1
31	01-1P2224-0050L	Floor (50 In. STD, LH).....	1
32	01-1P2224-0063L	Floor (63 In. STD, LH).....	1
33	01-1P2224-0083L	Floor (83 In. STD, LH).....	1
34	01-1P2224-0096L	Floor (96 In. STD, LH).....	1
35	01-1P2224-0116L	Floor (116 In. STD, LH).....	1
36	01-1P2224-050LP	Floor (50 In. Pass Thru, LH).....	1
37	01-1P2224-063LP	Floor (63 In. Pass Thru, LH).....	1
38	01-1P2224-083LP	Floor (83 In. Pass Thru, LH).....	1
39	01-1P2224-096LP	Floor (96 In. Pass Thru, LH).....	1
40	01-1P2224-116LP	Floor (116 In. Pass Thru, LH).....	1
41	01-1000V4-00073	Anchor - Drop-In 1/4-20.....	AR
42	01-1000V4-0073A	Tool - Setting.....	1
*43	01-100V21-00092	Gasket - PVC Extruded ("B" Shape) 30 Ft.....	AR
44	01-100V18-00144	Latch - Cam Lock.....	AR
45	01-1P1843-00003	Wall Assy. (LH).....	1
	01-100V21-00057	Adhesive - Floor (11 Oz. Tube).....	AR
	01-100V19-00024	Trowel - Mastic (For Floor Adhesive).....	1
	01-1P2034-00001	Wire - Light Fixture Kit.....	1
	01-1000V7-00019	Light Fixture.....	1
	01-1000V5-00015	Nut - Wire.....	2
	01-100V15-00066	Plug - Button 1/2 In.....	AR
	01-100V15-00067	Plug - Button 7/8 In.....	AR
	01-1P1907-00001	Panel - Stop, Top.....	2
	01-1P1907-00002	Panel - Stop, Top.....	1

\* Quantity Listed is Per Panel or Wall Assy.



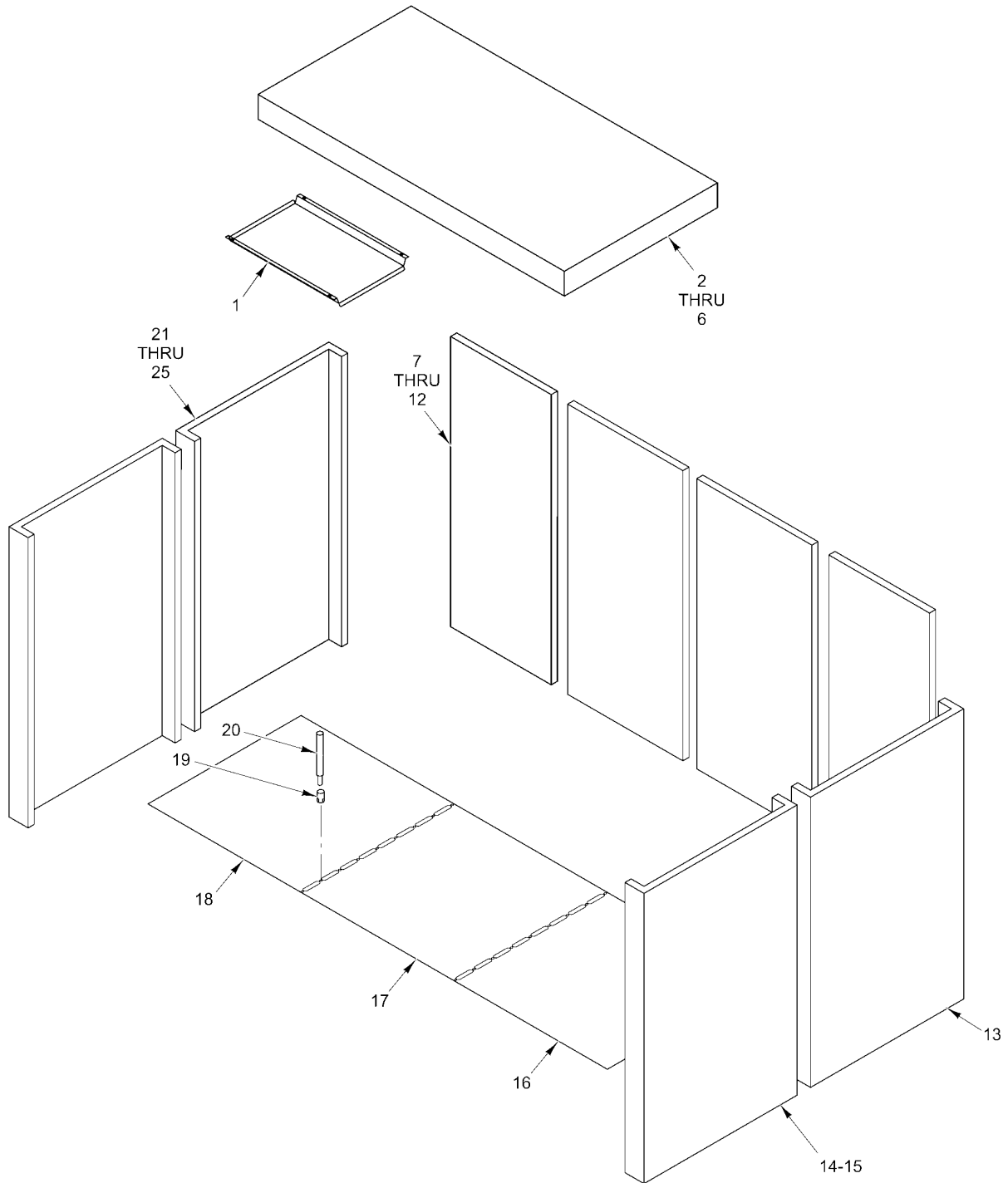
PL-57386

**TRIPLE WIDE CABINET  
(ML-132367)  
(PREV. CONSTRUCTION, MFD PRIOR TO 1/3/05)**

**TRIPLE WIDE CABINET  
(ML-132367)  
(PREV. CONSTRUCTION, MFD PRIOR TO 1/3/05)**

ILLUS. PL-57386	PART NO.	NAME OF PART	AMT.
1	01-1P1898-00001	Duct - Ceiling.....	3
2	01-1P2139-00001	Panel - Ceiling.....	2
3	01-1000V5-00059	Bushing - Snap (Plastic).....	AR
4	01-1000V5-00073	Bushing - Snap.....	AR
5	01-100V15-00067	Plug - Button 7/8 In.....	AR
*6	01-100V21-00092	Gasket - PVC Extruded ("B" Shape) 30 Ft.....	AR
7	01-1P1839-00001	Panel Assy. - Rear.....	2
8	01-1P1839-00002	Panel Assy. - Rear.....	1
9	01-1P1839-00003	Panel Assy. - Rear.....	1
10	01-100V18-00144	Latch - Cam Lock.....	AR
11	01-100V18-00145	Receptacle - Cam Lock.....	AR
*12	01-100V21-00092	Gasket - PVC-Extruded ("B" Shape).....	AR
13	01-1P1843-00004	Wall Assy. (RH Air Duct).....	1
14	01-1P1841-00001	Wall Assy. (RH).....	1
*15	01-100V21-00092	Gasket - PVC-Extruded ("B" Shape).....	AR
16	01-1P2165-00102	Channel - Base Side (63 In.).....	2
17	01-100V21-0005C	Caulk - Silicone (Clear) (Tube).....	1
18	01-1P2164-00103	Floor Section.....	1
19	01-1P2164-00102	Floor Section.....	1
20	01-1P2164-00101	Floor Section.....	1
21	01-1000V4-00073	Anchor - Drop-In 1/4-20.....	AR
22	01-1000V4-0073A	Tool - Setting.....	1
23	01-1P2165-00101	Channel - Base Rear.....	1
*24	01-100V21-00092	Gasket - PVC Extruded ("B" Shape) 30 Ft.....	AR
25	01-100V18-00144	Latch - Cam Lock.....	AR
26	01-1P1843-00002	Wall Assy. (LH).....	2
27	01-100V18-00145	Receptacle - Cam Lock.....	AR
	01-100V21-00057	Adhesive - Floor (11 Oz. Tube).....	AR
	01-100V19-00024	Trowel - Mastic (For Floor Adhesive).....	1
	01-1P2034-00001	Wire - Light Fixture Kit.....	1
	01-1000V7-00019	Light Fixture.....	1
	01-1000V5-00015	Nut - Wire.....	2
	01-100V15-00066	Plug - Button 1/2 In.....	AR
	01-100V15-00067	Plug - Button 7/8 In.....	AR
	01-1P1907-00001	Panel - Stop, Top.....	6
	01-1P1907-00002	Panel - Stop, Top.....	1

\* Quantity Listed is Per Panel or Wall Assy.



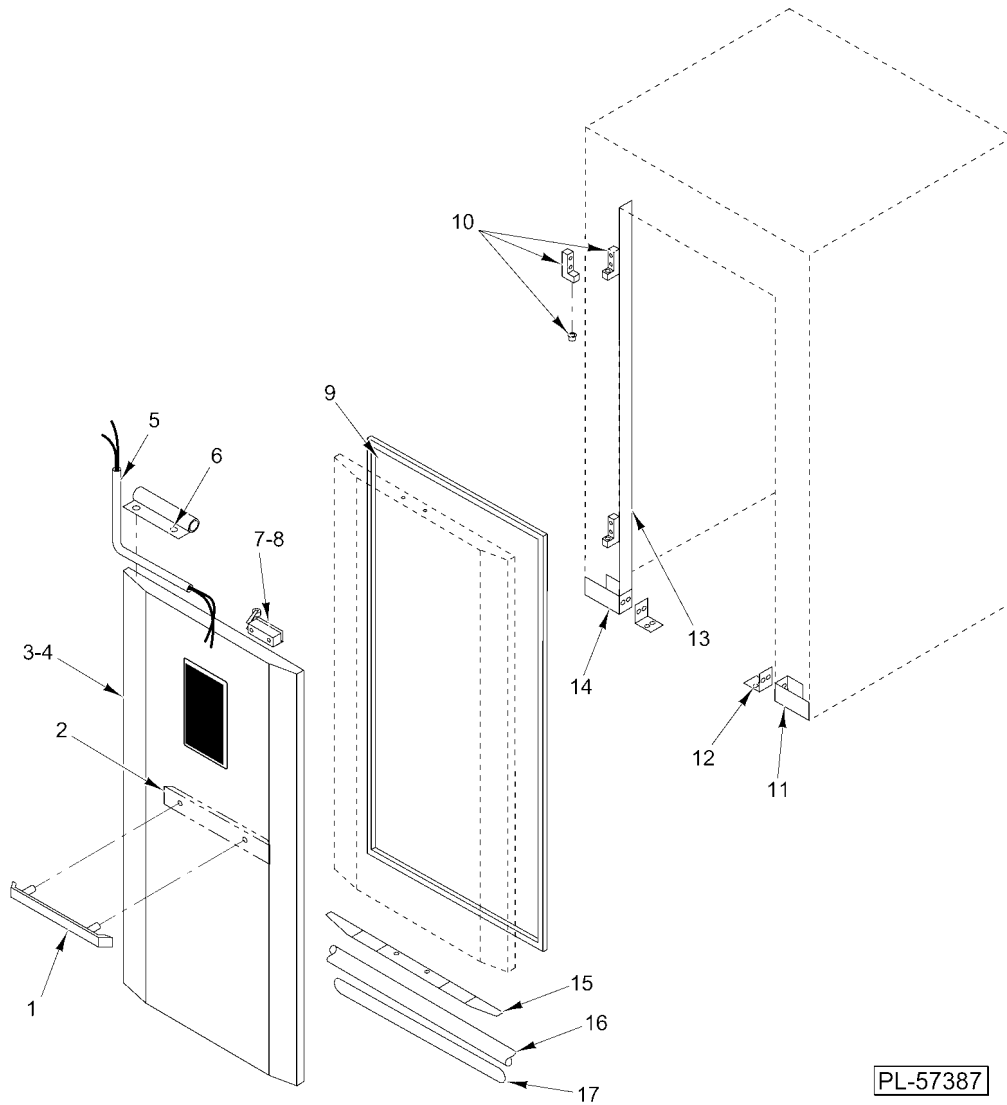
PL-57748

**TRIPLE WIDE CABINET  
(ML-132367)  
(CURRENT CONSTRUCTION, MFD AFTER 1/3/05)**

**TRIPLE WIDE CABINET  
(ML-132367)  
(CURRENT CONSTRUCTION, MFD AFTER 1/3/05)**

ILLUS. PL-57748	PART NO.	NAME OF PART	AMT.
1	01-1P1898-00001	Duct - Ceiling.....	.2
2	01-1P2139-00001	Panel - Ceiling.....	.2
3	01-1000V5-00059	Bushing - Snap (Plastic).....	.AR
4	01-1000V5-00073	Bushing - Snap.....	.AR
5	01-100V15-00067	Plug - Button 7/8 In.....	.AR
*6	01-100V21-00092	Gasket - PVC Extruded ("B" Shape) 30 Ft.....	.AR
7	01-1P1839-00001	Panel Assy. - Rear.....	.2
8	01-1P1839-00002	Panel Assy. - Rear.....	.1
9	01-1P1839-00003	Panel Assy. - Rear.....	.1
10	01-100V18-00144	Latch - Cam Lock.....	.AR
11	01-100V18-00145	Receptacle - Cam Lock.....	.AR
*12	01-100V21-00092	Gasket - PVC-Extruded ("B" Shape).....	.AR
13	01-1P1843-00004	Wall Assy. (RH Air Duct).....	.1
14	01-1P1841-00001	Wall Assy. (RH).....	.1
*15	01-100V21-00092	Gasket - PVC-Extruded ("B" Shape).....	.AR
16	01-1P2225-0063R	Floor Section (RH).....	.1
17	01-1P2225-0063C	Floor Section (Center).....	.1
18	01-1P2224-0063L	Floor Section (LH).....	.1
19	01-1000V4-00073	Anchor - Drop-In 1/4-20.....	.AR
20	01-1000V4-0073A	Tool - Setting.....	.1
*21	01-100V21-00092	Gasket - PVC Extruded ("B" Shape) 30 Ft.....	.AR
22	01-100V18-00144	Latch - Cam Lock.....	.AR
23	01-1P1843-00002	Wall Assy. (LH).....	.1
24	01-1P1843-00003	Wall Assy. (LH).....	.1
25	01-100V18-00145	Receptacle - Cam Lock.....	.AR
	01-100V21-00057	Adhesive - Floor (11 Oz. Tube).....	.AR
	01-100V19-00024	Trowel - Mastic (For Floor Adhesive).....	.1
	01-1P2034-00001	Wire - Light Fixture Kit.....	.1
	01-1000V7-00019	Light Fixture.....	.1
	01-1000V5-00015	Nut - Wire.....	.2
	01-100V15-00066	Plug - Button 1/2 In.....	.AR
	01-100V15-00067	Plug - Button 7/8 In.....	.AR
	01-1P1907-00001	Panel - Stop, Top.....	.3
	01-1P1907-00002	Panel - Stop, Top.....	.1

\* Quantity Listed is Per Panel or Wall Assy.

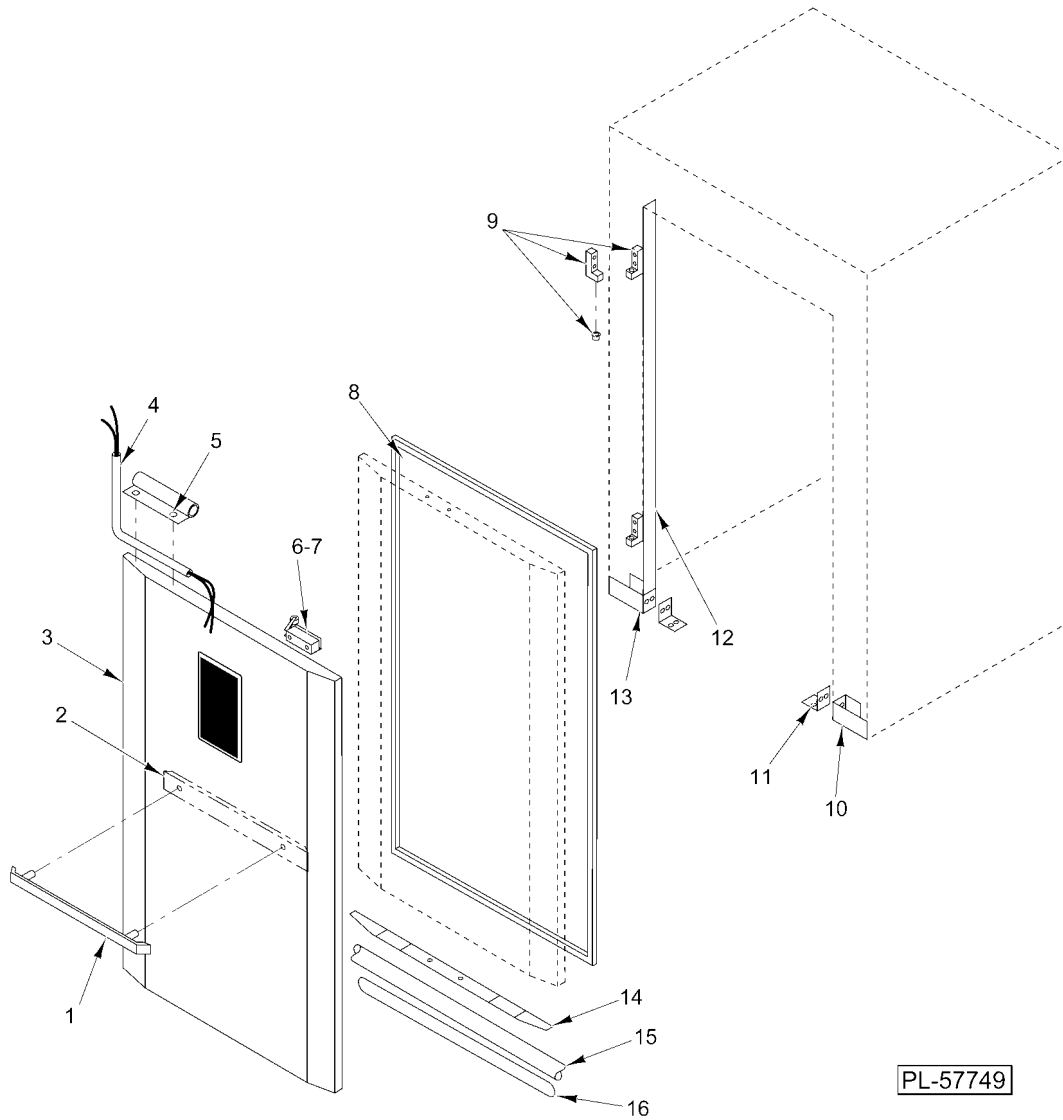


**SINGLE DOOR ASSEMBLY  
(PREV. CONSTRUCTION, MFD PRIOR TO 1/3/05)**

**SINGLE DOOR ASSEMBLY  
(PREV. CONSTRUCTION, MFD PRIOR TO 1/3/05)**

ILLUS. PL-57387	PART NO.	NAME OF PART	AMT.
1	01-1P1499-00002	Handle - Door.....	1
2	01-1P1837-00001	Bumper - Door.....	1
3	01-1P1845-00001	Door - W/Control Panel.....	1
4	01-1P1845-00002	Door - W/Control Panel Plate (Pass Thru) (Not Shown).....	1
5	01-1P1383-00003	Conduit - Wire.....	1
6	01-1P1485-00002	Clamp - Wire Tube (Door).....	1
7	01-100V18-00152	Closer - Door (W/Flush Strike).....	1
8	01-1P1914-00001	Bracket - Door Closer.....	1
9	01-100V16-0576A	Gasket - Magnetic.....	1
10	01-1P1867-00001	Hinge - Package.....	2
11	01-1P2019-00001	Trim - Jamb.....	1
12	01-1P2018-00001	Angle - Retainer.....	2
*13	01-1P2021-00001	Strip - Cover (Jamb).....	2
14	01-1P2019-00001	Trim - Jamb.....	2
15	01-1P2109-00001	Retainer - Floor Seal.....	1
16	01-1P2106-00001	Seal - Floor.....	1
17	01-1P2107-00001	Retainer - Floor Seal.....	1
	01-1P2108-00001	Floor Seal Assy. (Incls. Items 15, 16, & 17).....	1

\* Used Where Two Side Wall Panels Meet.

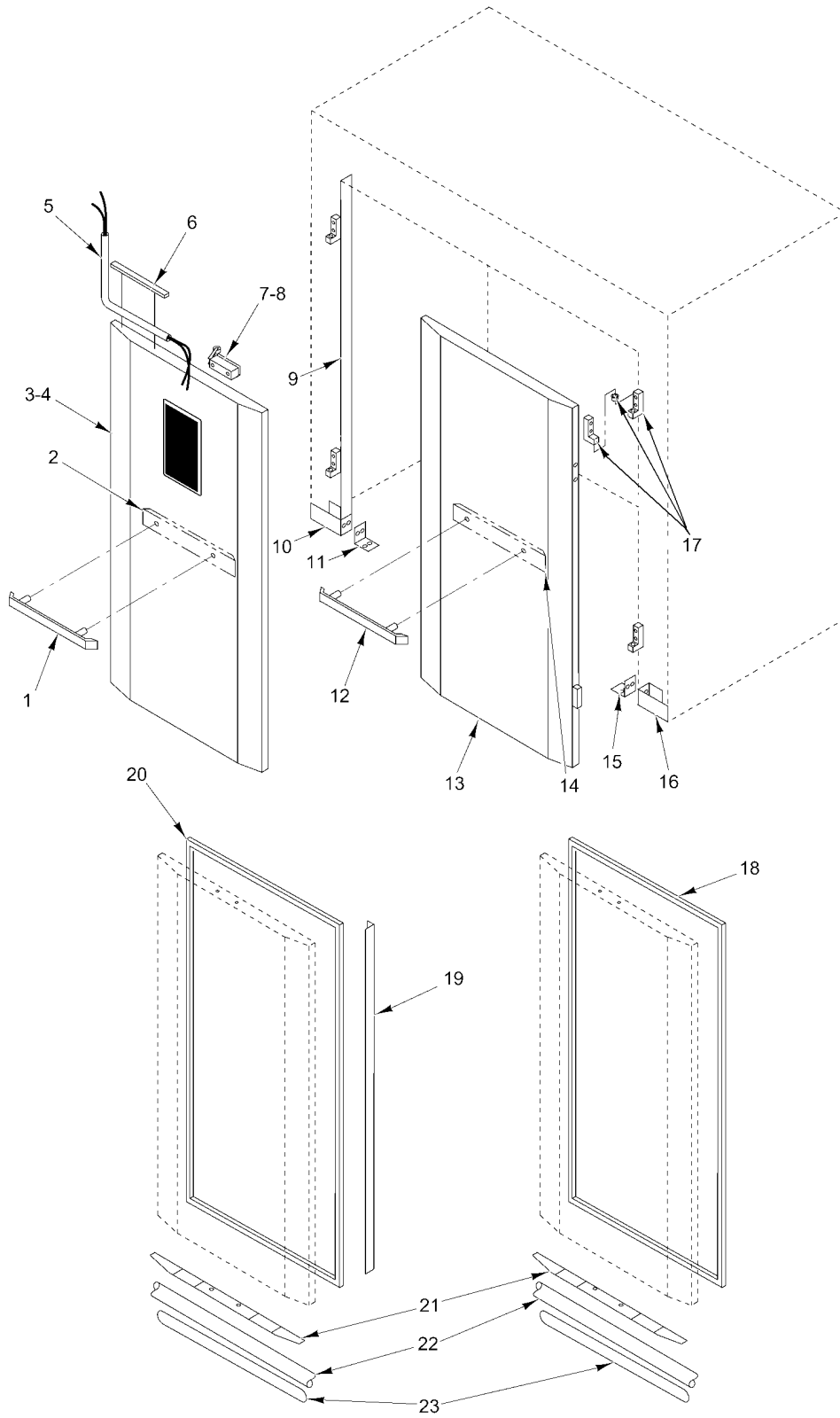


**SINGLE DOOR ASSEMBLY(CURRENT CONSTRUCTION, MFD AFTER 1/3/05)**

**SINGLE DOOR ASSEMBLY(CURRENT CONSTRUCTION, MFD AFTER 1/3/05)**

ILLUS.	PART NO.	NAME OF PART	AMT.
PL-57749			
1	01-1P1499-00002	Handle - Door.....	1
2	01-1P1837-00002	Bumper - Door.....	1
3	01-1P1845-00004	Door - Control.....	1
4	01-1P1383-00003	Conduit - Wire.....	1
5	01-1P1485-00002	Clamp - Wire Tube (Door).....	1
6	01-100V18-00152	Closer - Door (W/Flush Strike).....	1
7	01-1P1914-00001	Bracket - Door Closer.....	1
8	01-1P2146-00008	Gasket - Magnetic.....	1
9	01-1P1867-00001	Hinge - Package.....	2
10	01-1P2019-00002	Trim - Jamb.....	1
11	01-1P2018-00002	Angle - Retainer.....	2
*12	01-1P2021-00001	Strip - Cover (Jamb) (Except ML-132394 & ML-132400).....	2
13	01-1P2019-00004	Trim - Jamb.....	2
14	01-1P2109-00004	Retainer - Floor Seal.....	1
15	01-1P2106-00004	Seal - Floor.....	1
16	01-1P2107-00004	Retainer - Floor Seal.....	1
	01-1P2108-00004	Floor Seal Assy. (Incls. Items 14, 15, & 16).....	1

\* Used Where Two Side Wall Panels Meet.



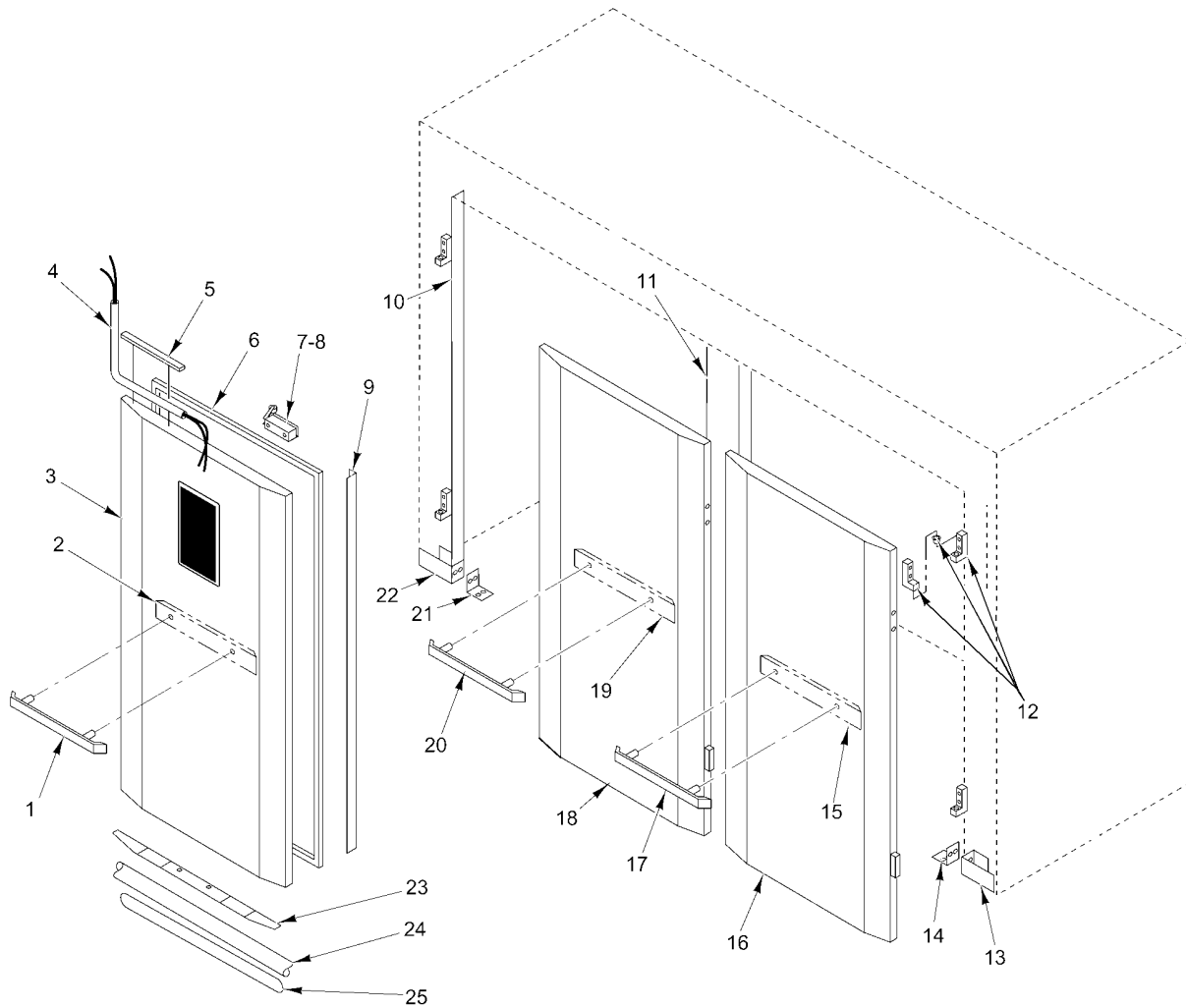
PL-57388

**DOUBLE DOOR ASSEMBLY**

**DOUBLE DOOR ASSEMBLY**

ILLUS. PL-57388	PART NO.	NAME OF PART	AMT.
1	01-1P1499-00002	Handle - Door.....	1
2	01-1P1837-00001	Bumper - Door.....	1
3	01-1P1847-00001	Door - W/Control Panel.....	1
4	01-1P1847-00002	Door - W/Control Panel Plate (Pass Thru) (Not Shown).....	1
5	01-1P1383-00003	Conduit - Wire.....	1
6	01-1P1485-00002	Clamp - Wire Tube (Door).....	1
7	01-1P1914-00001	Bracket - Door Closer.....	1
8	01-100V18-00152	Closer - Door (W/Flush Strike).....	1
*9	01-1P2021-00001	Strip - Cover, Jamb.....	2
10	01-1P2019-00001	Trim - Jamb.....	2
11	01-1P2018-00002	Angle - Retainer.....	2
12	01-1P1499-00002	Handle - Door.....	1
13	01-1P1849-00001	Door - Blank.....	AR
14	01-1P1837-00001	Bumper - Door.....	1
15	01-1P2018-00002	Angle - Retainer.....	2
16	01-1P2019-00001	Trim - Jamb.....	2
17	01-1P1867-00001	Hinge - Package.....	2
18	01-100V16-0576B	Gasket - Magnetic.....	1
19	01-1P2002-00001	Strip - Door Lap.....	1
20	01-100V16-0576B	Gasket - Magnetic.....	1
21	01-1P2109-00002	Retainer - Floor Seal.....	2
22	01-1P2106-00001	Seal - Floor.....	2
23	01-1P2107-00002	Retainer - Floor Seal.....	2
	01-1P2108-00002	Floor Seal Assy. (Incls. Items 21, 22, & 23).....	2

\* Used Where Two Side Wall Panels Meet.

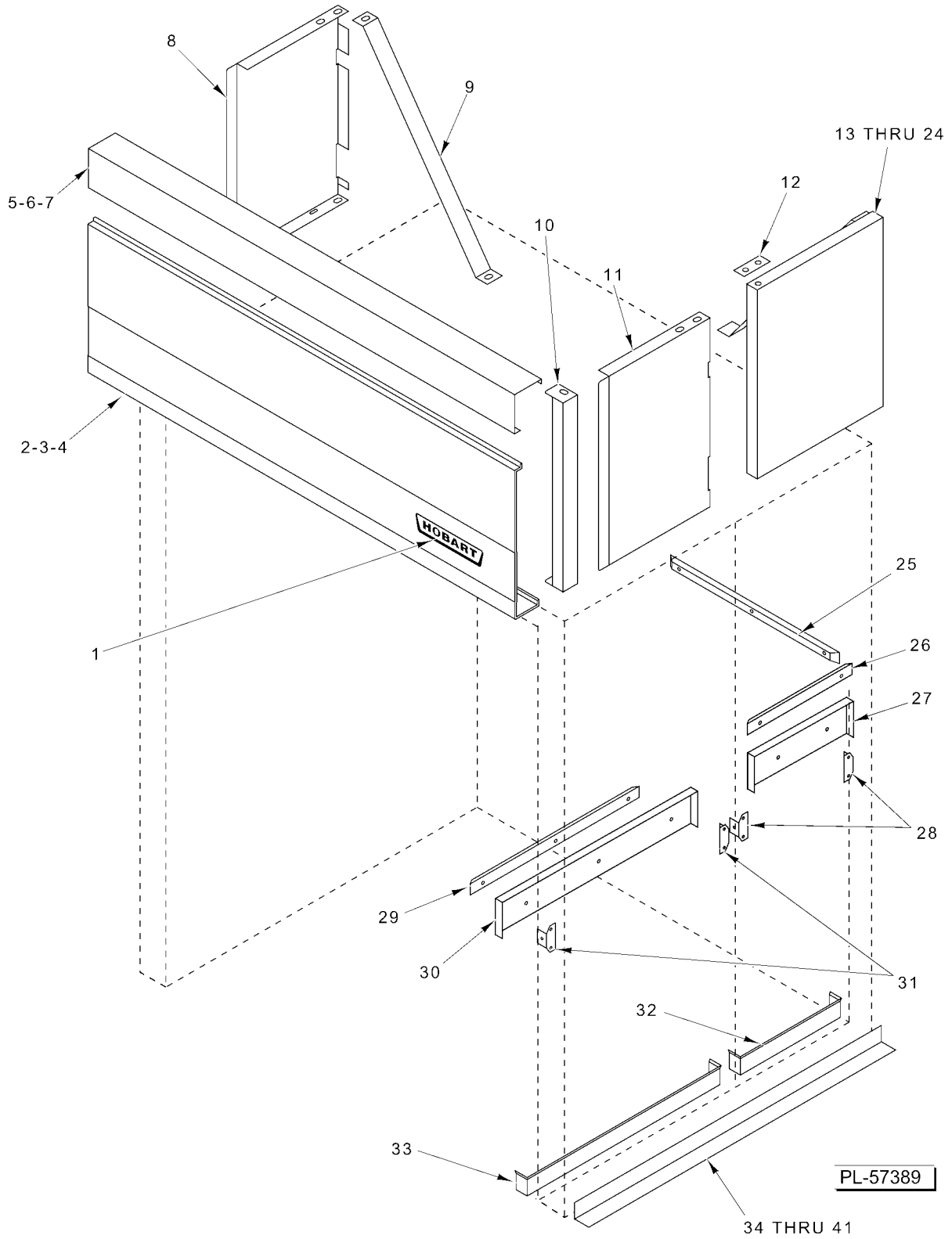


PL-57390

**TRIPLE DOOR ASSEMBLY (ML-132367)**

**TRIPLE DOOR ASSEMBLY (ML-132367)**

ILLUS. PL-57390	PART NO.	NAME OF PART	AMT.
1	01-1P1499-00002	Handle - Door.....	1
2	01-1P1837-00001	Bumper - Door.....	1
3	01-1P2152-00002	Door - W/Control Panel.....	1
4	01-1P1384-00004	Conduit - Wire.....	1
5	01-1P1485-00002	Clamp - Wire Tube (Door).....	1
6	01-1P2146-00002	Gasket - Magnetic.....	3
7	01-100V18-00152	Closer - Door (W/Flush Strike).....	3
8	01-1P1914-00001	Bracket - Door Closer.....	3
9	01-1P1466-00002	Strip - Door Lap.....	1
10	01-1P2021-00001	Strip - Cover (Jamb).....	2
11	01-1P2166-00010	Post - Center (Door).....	1
12	01-1P1867-00001	Hinge - Package.....	6
13	01-1P2019-00001	Trim - Jamb.....	1
14	01-1P2018-00002	Angle - Retainer.....	1
15	01-1P1837-00001	Bumper - Door.....	1
16	01-1P2153-00001	Door - Blank.....	1
17	01-1P1499-00002	Handle - Door.....	1
18	01-1P2153-00002	Door - Blank.....	1
19	01-1P1837-00001	Bumper - Door.....	1
20	01-1P1499-00002	Handle - Door.....	1
21	01-1P2018-00002	Angle - Retainer.....	1
22	01-1P2019-00001	Trim - Jamb.....	1
23	01-1P2147-00001	Retainer - Floor Seal.....	3
24	01-1P2106-00001	Seal - Floor.....	3
25	01-1P2107-00002	Retainer - Floor Seal.....	3
	01-1P2108-00002	Floor Seal Assy. (Incls. Items 23, 24, & 25).....	3

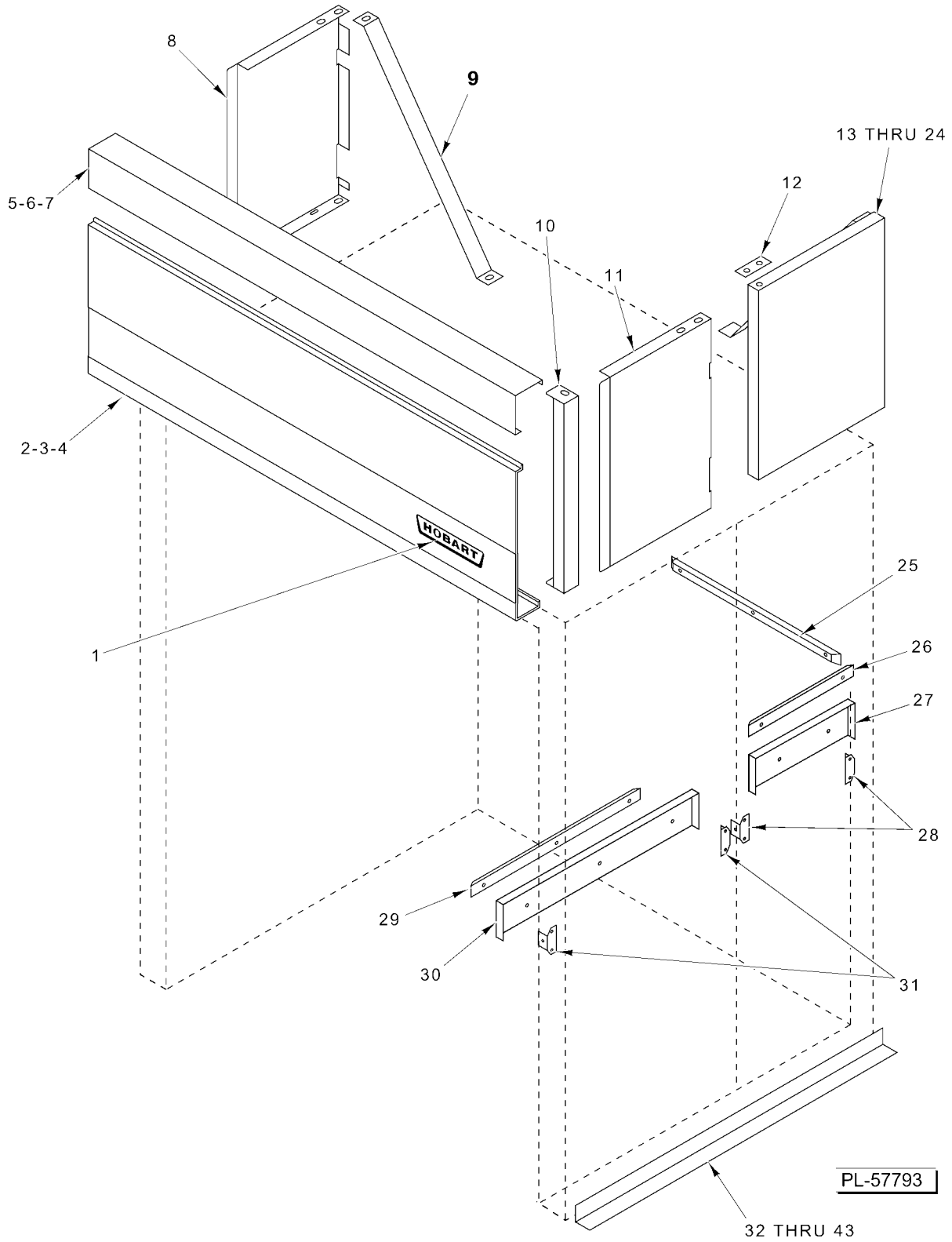


**TRIM AND INTERIOR BUMPERS  
(PREVIOUS CONSTRUCTION)**

## TRIM AND INTERIOR BUMPERS (PREVIOUS CONSTRUCTION)

ILLUS. PL-57389	PART NO.	NAME OF PART	AMT.
1	01-100V16-00531	Logo - Hobart.....	1
2	01-1P2097-00001	Trim - Front Lower (HP1) (Units Manufactured Prior To 1/3/05).....	1
3	01-1P2097-00002	Trim - Front Lower (HP2).....	1
4	01-1P2097-00007	Trim - Front Lower (ML-132367).....	1
5	01-1P2096-00001	Trim - Front Upper (HP1) (Units Manufactured Prior To 1/3/05).....	1
6	01-1P2096-00002	Trim - Front Upper (HP2).....	1
7	01-1P2096-00013	Trim - Front Upper (ML-132367) (Used With Side Trim).....	1
8	01-1P2095-00002	Trim - Side (LH).....	AR
9	01-1P1912-00001	Strap - Support Top Trim.....	2
10	01-1P2098-00001	Retainer - Forward Trim Assy.....	2
11	01-1P2095-00001	Trim - Side (RH).....	AR
12	01-1P1913-00001	Strap - Connector Top Trim (Used With Side Trim).....	2
13	01-1P1911-00001	Trim - Side Top (30 In. STD).....	2
14	01-1P1911-00004	Trim - Side Top (50 in. STD).....	1
15	01-1P1911-00002	Trim - Side Top (63 In. STD).....	2
16	01-1P1911-00005	Trim - Side Top (83 in. STD).....	1
17	01-1P1911-00003	Trim - Side Top (96 In. STD).....	2
18	01-1P1911-00006	Trim - Side Top (116 In. STD).....	1
19	01-1P1911-0001P	Trim - Side Top (30 In. Pass Thru).....	2
20	01-1P1911-0004P	Trim - Side Top (50 In. Pass Thru).....	1
21	01-1P1911-0002P	Trim - Side Top (63 In. Pass Thru).....	2
22	01-1P1911-0005P	Trim - Side Top (83 In. Pass Thru).....	1
23	01-1P1911-0003P	Trim - Side Top (96 In. Pass Thru).....	2
24	01-1P1911-0006P	Trim - Side Top (116 In. Pass Thru).....	1
25	01-1P1837-00002	Bumper (Per Panel).....	1
26	01-1P1837-00003	Bumper (1/2 Panel) (Per Panel).....	1
27	01-1P2012-00002	Support - Bumper (1/2 Panel).....	AR
28	01-1P2013-00001	Bracket - Bumper Support (RH Panel).....	1
29	01-1P1837-00002	Bumper (Per Panel).....	1
30	01-1P2012-00001	Support - Bumper (RH).....	AR
31	01-1P2013-00001	Bracket - Bumper Support (RH) (Units Manufactured Prior To 1/3/05).....	AR
*32	01-1P2016-00002	Trim - Inner-Bottom (15 In.) (1/2Panel).....	AR
*33	01-1P2016-00001	Trim - Inner-Bottom.....	AR
34	01-1P2020-00001	Trim - Inner/Outer (Bottom, Side) (30 In.).....	AR
35	01-1P2020-00006	Trim - Inner/Outer (Bottom, Side) (50 In.).....	AR
36	01-1P2020-00002	Trim - Inner/Outer (Bottom, Rear) (50 In.) (2-Wide Units Prior To 5/1/05).....	AR
37	01-1P2020-00004	Trim - Inner/Outer (Bottom, Side) (63 In.).....	AR
38	01-1P2020-00009	Trim - Inner/Outer (Bottom, Side 1/2Panel) (83 In.).....	AR
39	01-1P2020-00003	Trim - Inner/Outer (Bottom) (83 In.) (1-Wide Units Prior To 1/3/05).....	AR
40	01-1P2020-00005	Trim - Inner/Outer (Bottom, Side) (96 In.).....	AR
41	01-1P2020-00010	Trim - Inner/Outer (Bottom, Side 1/2Panel) (116 In.).....	AR
	01-1P1910-00001	Trim - Rear (Top) (HP2) (HP1 Units Manufactured Prior To 1/3/05).....	1
	01-1P1910-00003	Trim - Rear (Top) (ML-132367).....	1
	01-1P2099-00001	Cover - Slot.....	AR
	01-1P2042-00001	Trim - Inner Base (HP2) (HP1 Units Manufactured Prior To 1/3/05).....	AR
	01-1P2163-00101	Trim - Inner Base (ML-132367).....	AR

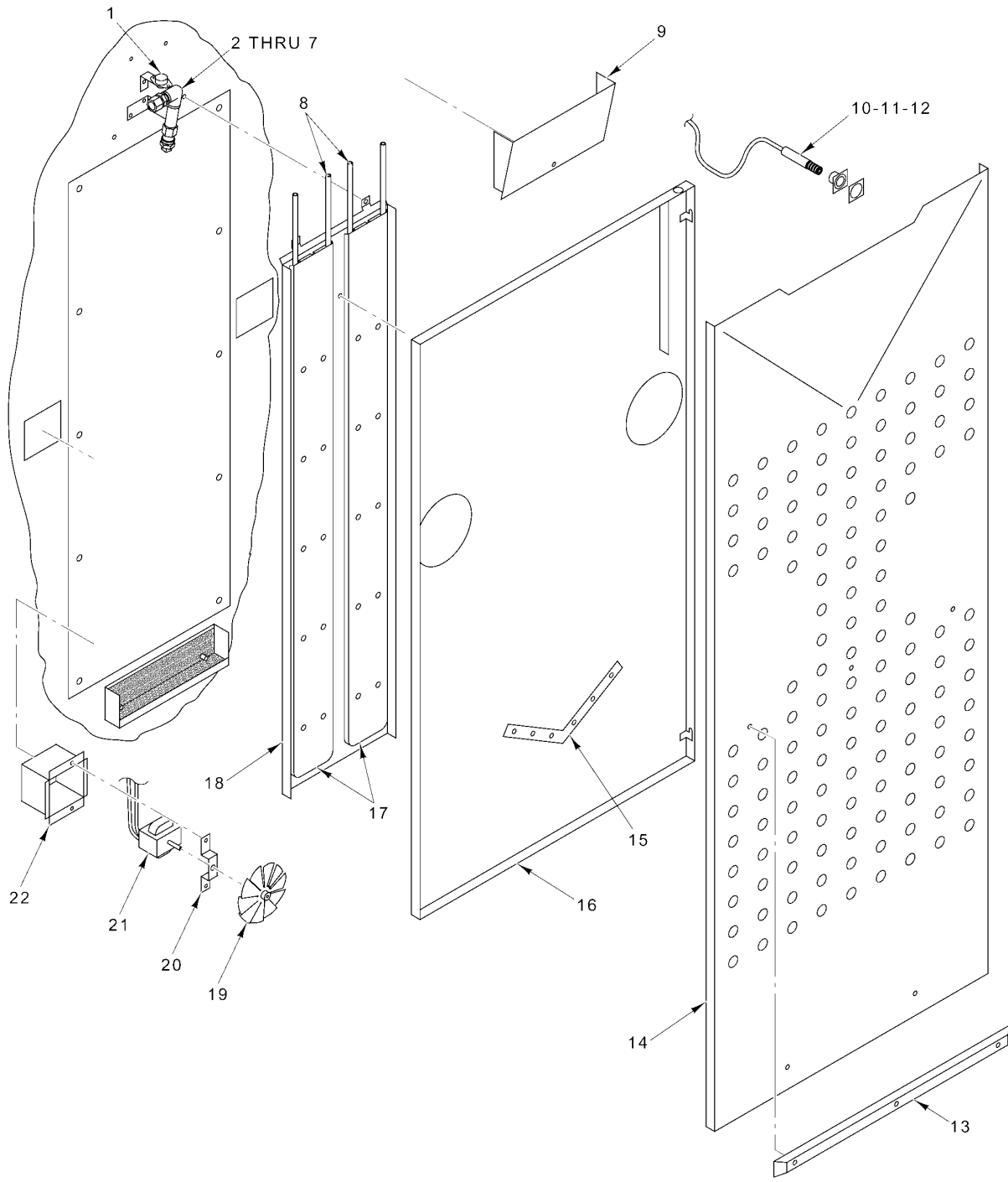
\* Used On 1-Wide Units Built Prior To 1/3/05 and 2-Wide Units Built Prior To 5/1/05.



**TRIM AND INTERIOR BUMPERS  
(CURRENT CONSTRUCTION)**

## TRIM AND INTERIOR BUMPERS (CURRENT CONSTRUCTION)

ILLUS. PL-57793	PART NO.	NAME OF PART	AMT.
1	01-100V16-00531	Logo - Hobart.....	1
2	01-1P2097-00011	Trim - Front Lower (HP1) (Units Manufactured After 1/3/05).....	1
3	01-1P2097-00002	Trim - Front Lower (HP2).....	1
4	01-1P2097-00007	Trim - Front Lower (ML-132367).....	1
5	01-1P2096-00011	Trim - Front Upper (HP1) (Units Manufactured After 1/3/05).....	1
6	01-1P2096-00002	Trim - Front Upper (HP2).....	1
7	01-1P2096-00013	Trim - Front Upper (ML-132367) (Used With Side Trim).....	1
8	01-1P2095-00002	Trim - Side (LH) V.....	AR
9	01-1P1912-00001	Strap - Support Top Trim.....	2
10	01-1P2098-00001	Retainer - Forward Trim Assy.....	2
11	01-1P2095-00001	Trim - Side (RH).....	AR
12	01-1P1913-00001	Strap - Connector Top Trim (Used With Side Trim).....	2
13	01-1P1911-00001	Trim - Side Top (30 In. STD).....	2
14	01-1P1911-00004	Trim - Side Top (50 in. STD).....	1
15	01-1P1911-00002	Trim - Side Top (63 In. STD).....	2
16	01-1P1911-00005	Trim - Side Top (83 in. STD).....	1
17	01-1P1911-00003	Trim - Side Top (96 In. STD).....	2
18	01-1P1911-00006	Trim - Side Top (116 In. STD).....	1
19	01-1P1911-0001P	Trim - Side Top (30 In. Pass Thru).....	2
20	01-1P1911-0004P	Trim - Side Top (50 In. Pass Thru).....	1
21	01-1P1911-0002P	Trim - Side Top (63 In. Pass Thru).....	2
22	01-1P1911-0005P	Trim - Side Top (83 In. Pass Thru).....	1
23	01-1P1911-0003P	Trim - Side Top (96 In. Pass Thru).....	2
24	01-1P1911-0006P	Trim - Side Top (116 In. Pass Thru).....	1
25	01-1P1837-00002	Bumper (Per Panel).....	1
26	01-1P1837-00003	Bumper (1/2 Panel) (Per Panel).....	1
27	01-1P2012-00002	Support - Bumper (1/2 Panel).....	AR
28	01-1P2013-00002	Bracket - Bumper Support (RH Panel) (Units Manufactured After 1/3/05).....	1
29	01-1P1837-00002	Bumper (Per Panel).....	1
30	01-1P2012-00001	Support - Bumper (RH).....	AR
31	01-1P2013-00002	Bracket - Bumper Support (RH).....	AR
32	01-1P2222-00001	Bracket Assy. - Floor Retainer (Full Wall Panel).....	AR
33	01-1P2222-00002	Bracket Assy. - Floor Retainer (1/2 Wall Panel) (1- & 2-Wide Units).....	AR
34	01-1P2222-00003	Bracket Assy. - Floor Retainer (1-Wide Rear Panel).....	AR
35	01-1P2222-00004	Bracket Assy. - Floor Retainer (2-Wide).....	AR
36	01-1P2222-00005	Bracket Assy. - Floor Retainer (3-Wide).....	AR
37	01-1P2229-00001	Floor Angle (Rear RH, Full Panel).....	AR
38	01-1P2229-00002	Floor Angle (1/2Panel).....	AR
39	01-1P2229-00003	Floor Angle (1-Wide Rear).....	AR
40	01-1P2229-00004	Floor Angle (2-Wide Rear).....	AR
41	01-1P2229-00005	Floor Angle (3-Wide Rear).....	AR
42	01-1P2229-00006	Floor Angle (RH Panel).....	AR
43	01-100V21-0005C	Caulk - Silicone (Clear) (Tube).....	1
	01-1P1910-00003	Trim - Rear (Top) (ML-132367).....	1
	01-1P1910-00004	Trim - Rear (Top) (HP1 Units Manufactured After 1/3/05).....	1
	01-1P2099-00001	Cover - Slot.....	AR
	01-1P2042-00002	Trim - Inner Base (HP1 Units Manufactured After 1/3/05).....	AR
	01-1P2163-00101	Trim - Inner Base (ML-132367).....	AR
	01-1P2019-00003	Trim - Rear Corner (HP1 Units Manufactured After 1/3/05).....	2

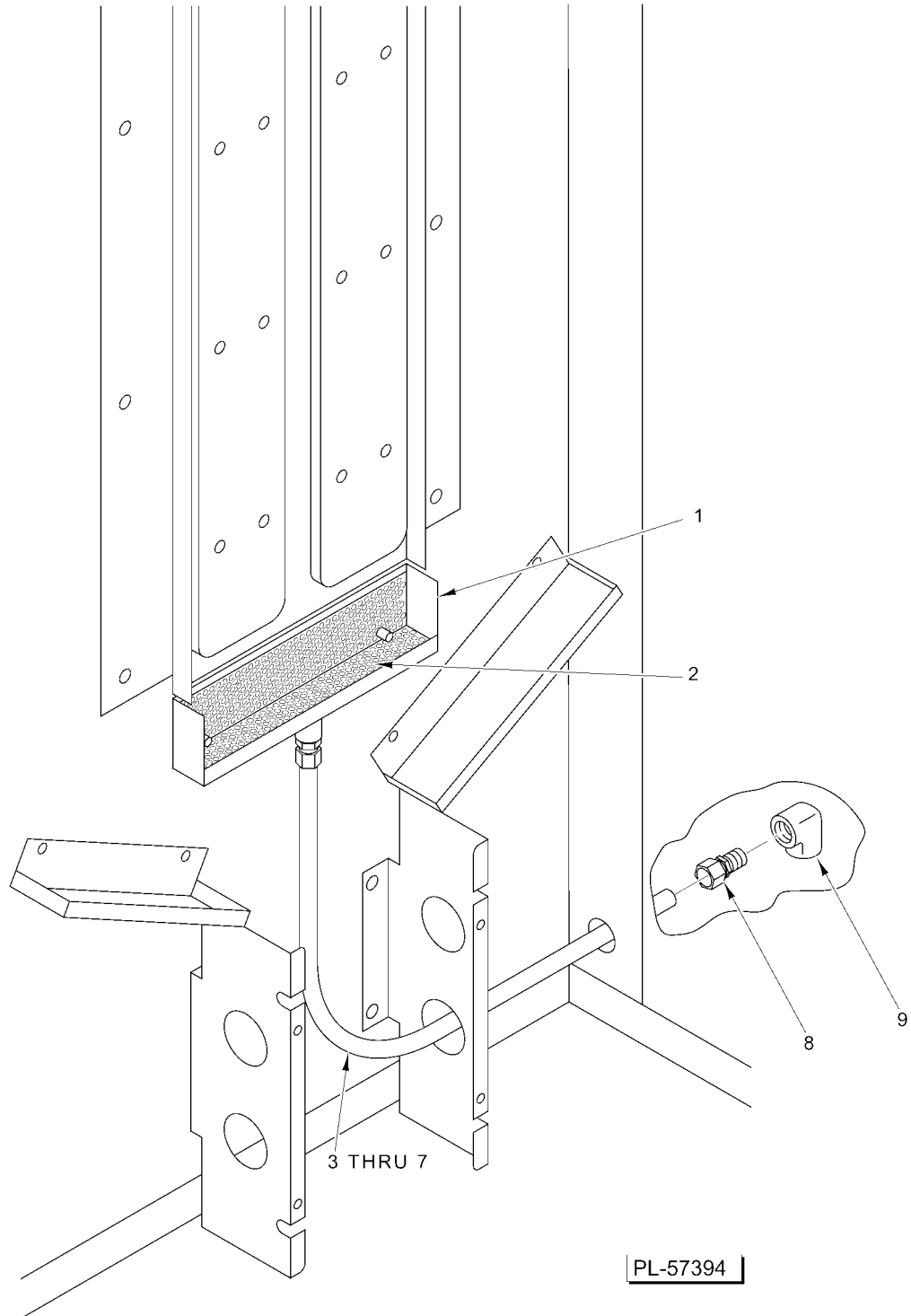


PL-57393

**STEAM UNIT**

**STEAM UNIT**

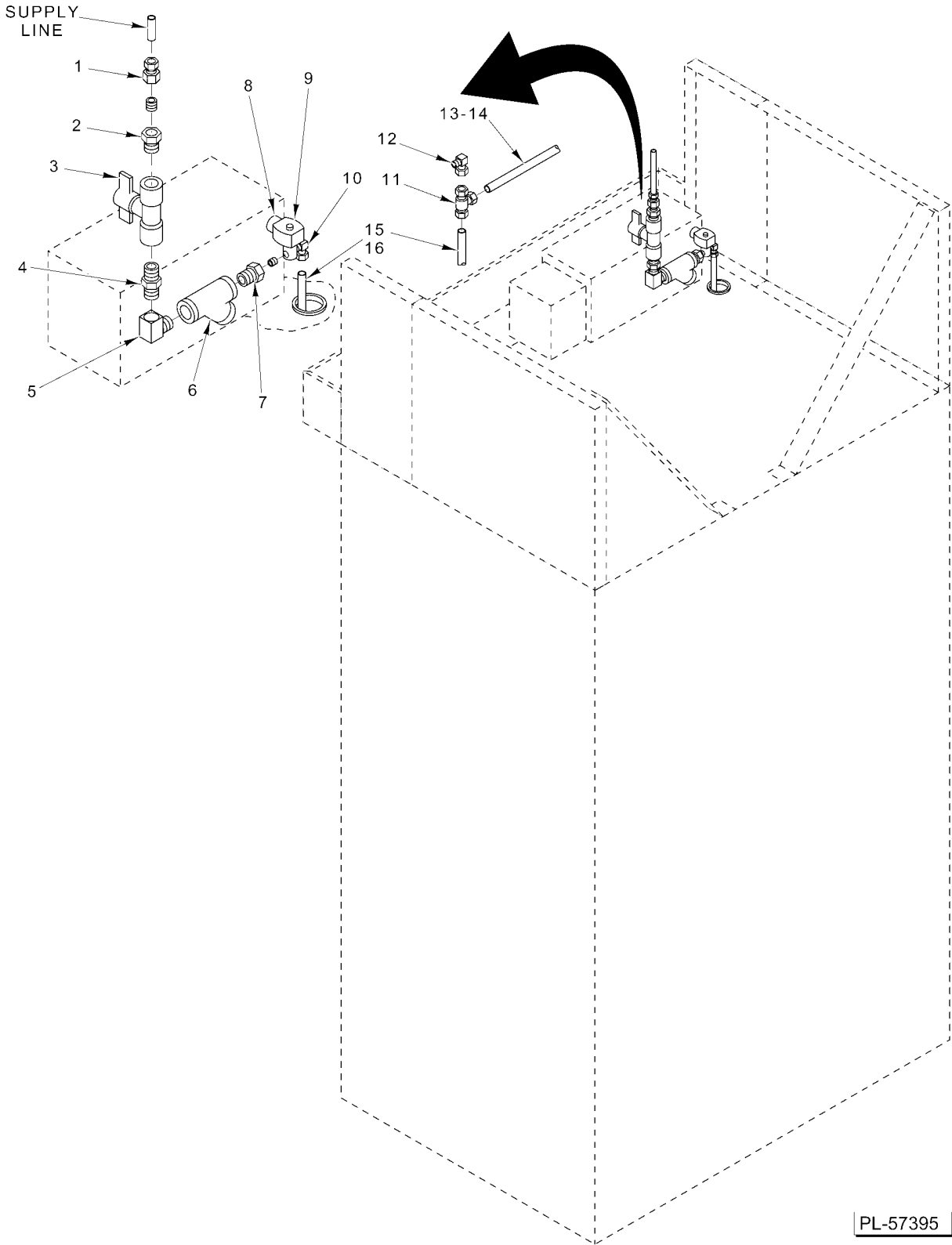
ILLUS. PL-57393	PART NO.	NAME OF PART	AMT.
1	01-1P2050-00001	Switch - Hi-Limit.....	1
2	01-1P1362-00002	Bracket - Mounting Spray Nozzle.....	1
3	01-1P1363-00003	Nozzle - Spray.....	1
4	01-100V17-00258	Ell 3/8 In. NPT (Brass).....	1
5	01-100V17-00272	Fitting - Straight 3/8 In. NPTM x 3.....	1
6	01-100V17-00281	Coupler - Reducer 3/8 to 1/4.....	1
7	01-100V17-00378	Nozzle - Spray Built-In.....	1
8	01-1P2766-00001	Kit - Element Heating (240 V., 2200 W.) (Per Air Duct).....	2
9	01-1P1906-00002	Shield - Spray.....	2
10	01-1000V5-00143	Bushing.....	1
11	01-1P1875-00002	Sensor Assy. - Humidity W/Filter.....	1
12	01-1P1905-00002	Bracket - Sensor.....	1
13	01-1P1837-00002	Bumper.....	1
14	01-1P1902-00001	Panel - Intake.....	2
15	01-1P1901-00002	Guide - Drip.....	1
16	01-1P1903-00001	Panel - Intermediate V.....	2
17	01-1P1874-00002	Plate - Heater (Incls. Items 8 & 18).....	1
18	01-1P1859-00001	Plate - Heater Mounting.....	1
19	01-1000V8-00117	Blade - Fan.....	2
20	01-1P1904-00001	Bracket - Motor.....	2
21	01-1000V8-00115	Motor - C-Frame (3K RPM, 120 VAC, 1/2Hp.).....	2
22	01-1P1909-00001	Cup - Wall Motor.....	2
	01-1000V4-00047	Nutsert.....	AR
	01-100V21-00092	Gasket 6.75.....	1
	01-1P1908-00001	Deflector - Top.....	AR



**DRAIN ASSEMBLY**

**DRAIN ASSEMBLY**

ILLUS.	PART NO.	NAME OF PART	AMT.
PL-57394			
1	01-1P1900-00001	Pan - Drain.....	1
2	01-1P1899-00001	Screen - Drain Pan.....	1
3	01-1P2036-00101	Tube 5/8In. Bent (Copper).....	AR
4	01-1P2036-00102	Tube 5/8 In. Straight (Copper) (2 Duct) (Not Shown).....	AR
5	01-1P2036-00103	Tube 5/8 In. Straight (Copper) (3 Duct) (Not Shown).....	AR
6	01-1P2036-00104	Tube 5/8 In. Straight (Copper) (Not Shown).....	AR
7	01-100V17-00394	Tee - Union (Brass) (2 & 3 Duct) (Not Shown).....	AR
8	01-100V17-00326	Fitting 5/8 In. Comp. x 1/2 In. NPTM.....	AR
9	01-1M1758-00003	Elbow.....	1
	01-100V17-00313	Tube Ell (Brass) 1/2 In. NPT (Not Shown).....	2
	01-100V17-00392	Union 5/8 In. Comp. (Brass) (Not Shown).....	1
	01-1P2036-00001	Drain (1 Duct) (Incls. Items 3, 8, & 9).....	1
	01-1P2036-00002	Drain (2 Duct) (Incls. Items 3, 4, & 6 thru 9).....	1
	01-1P2036-00003	Drain (1 & 2 Wide Only) (Incls. Items 3 & 5 thru 9).....	1
	01-1P2036-00004	Drain (1/2 Panel).....	1
	01-1P2036-00005	Drain (3W, 2 Duct) (Incls. Items 3, 5, & 8).....	1
	01-1P1908-00001	Deflector - Top.....	2



**EXTERIOR WATER SUPPLY**

**EXTERIOR WATER SUPPLY**

ILLUS. PL-57395	PART NO.	NAME OF PART	AMT.
1	01-100V17-00511	Union - Compression (Brass) (1 Duct).....	1
2	01-100V17-00424	Pipe - Reducer Hex 1/2 NPTM to 1/4 NPTM (Brass).....	1
3	01-100V17-00089	Valve - Ball 1/2 In. NPTF (Bronze).....	1
4	01-100V17-00288	Pipe 1/2 In. Dia. Close (Brass).....	1
5	01-100V17-00322	Elbow 1/2 In. Street (Brass).....	1
6	01-100V17-00275	Strainer (Y) - Liquid (Brass).....	1
7	01-100V17-00424	Pipe - Hex 1/4 In. NPT x 1/2 In. NPT.....	1
8	01-100V17-00075	Valve - Solenoid 1/4 NPT (2-Way) (120 V.).....	1
9	01-1P2030-00101	Solenoid Assy.....	1
10	01-100V17-00339	Elbow - 90 Deg. (Brass).....	1
11	01-100V17-00506	Tee 3/8 In. Compression (Brass) (2 Duct) (3 Duct, Previous Construction).....	AR
12	01-100V17-00396	Elbow - Union (Brass) (2 Duct) (3 Duct, Previous Construction).....	1
13	01-1P2035-00101	Tube 3/8 In. x 32 In. (Copper) (3 Duct, Previous Construction).....	AR
14	01-1P2035-00102	Tube 3/8 In. x 19 In. (Copper) (2 Duct) (3 Duct, Current Construction).....	AR
15	01-1P2035-00103	Tube 3/8 In. x 3 In. (Copper).....	1
16	01-100V17-00027	Tubing - Copper 3/8 In. Dia. x 12 Ft. (3 Duct, Current Construction) (Not Shown).....	1
	01-1P2035-00001	Water Supply Assy. (30 In. and 50 In.) (1 Duct).....	1
	01-1P2035-00002	Water Supply Assy. (63 In. and 83 In.) (2 Duct).....	1
	01-1P2035-00003	Water Supply Assy. (96 In. and 116 In.) (3 Duct, Previous Construction).....	1
	01-1P2035-00004	Water Supply Assy. (3 Duct, 1L/1R, Current Construction).....	1

