



# CATALOG OF REPLACEMENT PARTS

## HR 5/7 ROTISSERIE OVENS HW 5/7 WARMERS

### HR5 ROTISSERIE OVEN

ML-126454 *ELECTRONIC*  
ML-126727 *ELECTRONIC*  
ML-126456 *PROGRAMMABLE*  
ML-126728 *PROGRAMMABLE*

### HR7 ROTISSERIE OVEN

ML-126455 *ELECTRONIC*  
ML-126725 *ELECTRONIC*  
ML-126457 *PROGRAMMABLE*  
ML-126726 *PROGRAMMABLE*

### HR5 WARMER

ML-126207

### HR7 WARMER

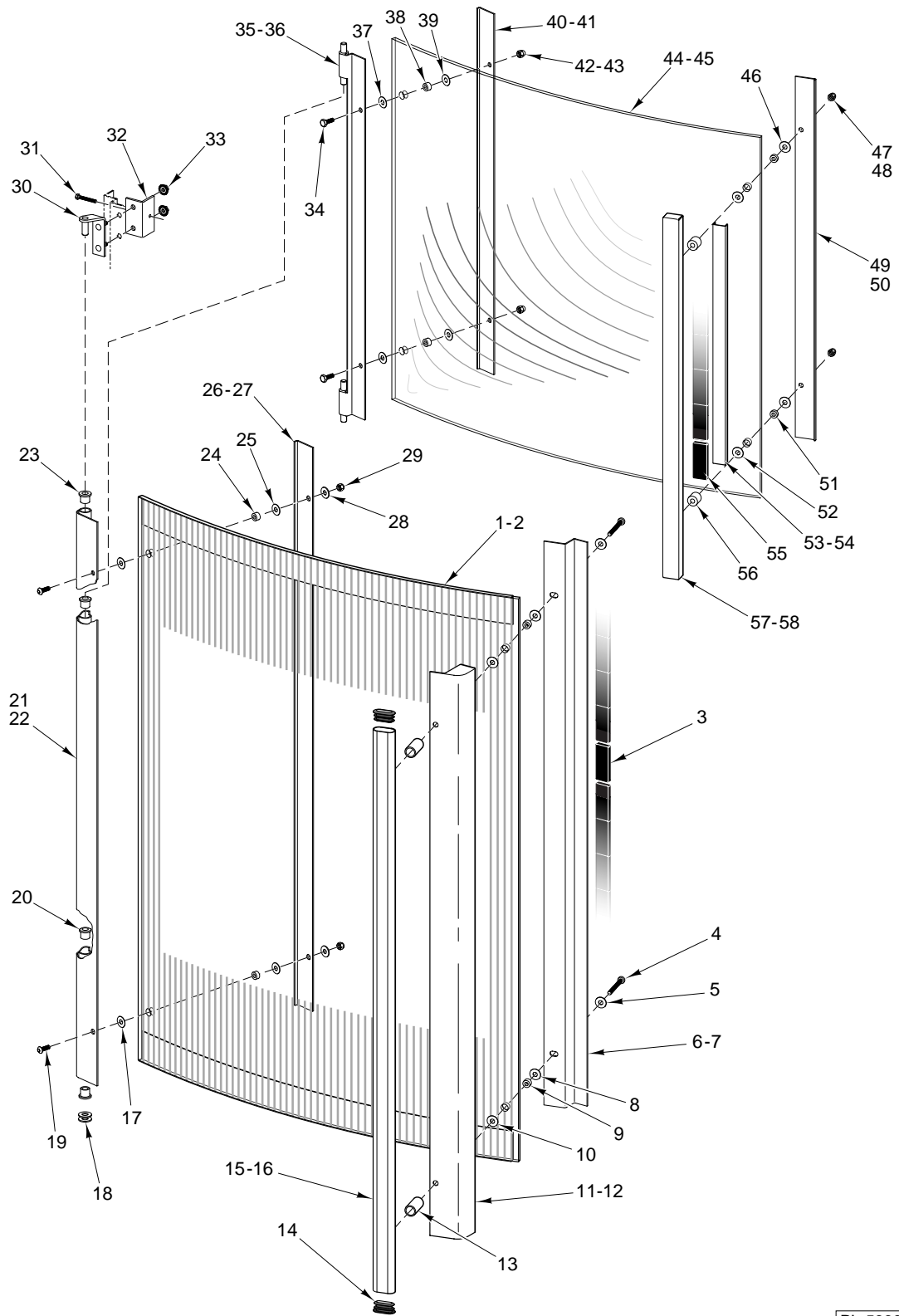
ML-126208





## Table of Contents

Description	Page
<b>OVENS.....</b>	<b>5 - 23</b>
Oven Door — Operator Side.....	5
Oven Door — Customer Side.....	7
Oven Control Panels.....	9
Electronic Oven Electrical Components.....	11
Programmable Oven Electrical Components.....	13
Rotisserie and Drive Motor.....	15
HR5 Heating and Venting.....	17
HR7 Heating and Venting.....	19
HR5 Oven Frame.....	21
HR7 Oven Frame.....	23
<b>WARMERS.....</b>	<b>25 - 33</b>
Warmer Doors.....	25
Warmer Control Panels and Electrical Components.....	27
Warmer Heating and Venting.....	29
HW5 Warmer Frame.....	31
HW7 Warmer Frame.....	33
<b>STACKING KIT.....</b>	<b>35</b>
<b>ACCESSORIES.....</b>	<b>37</b>

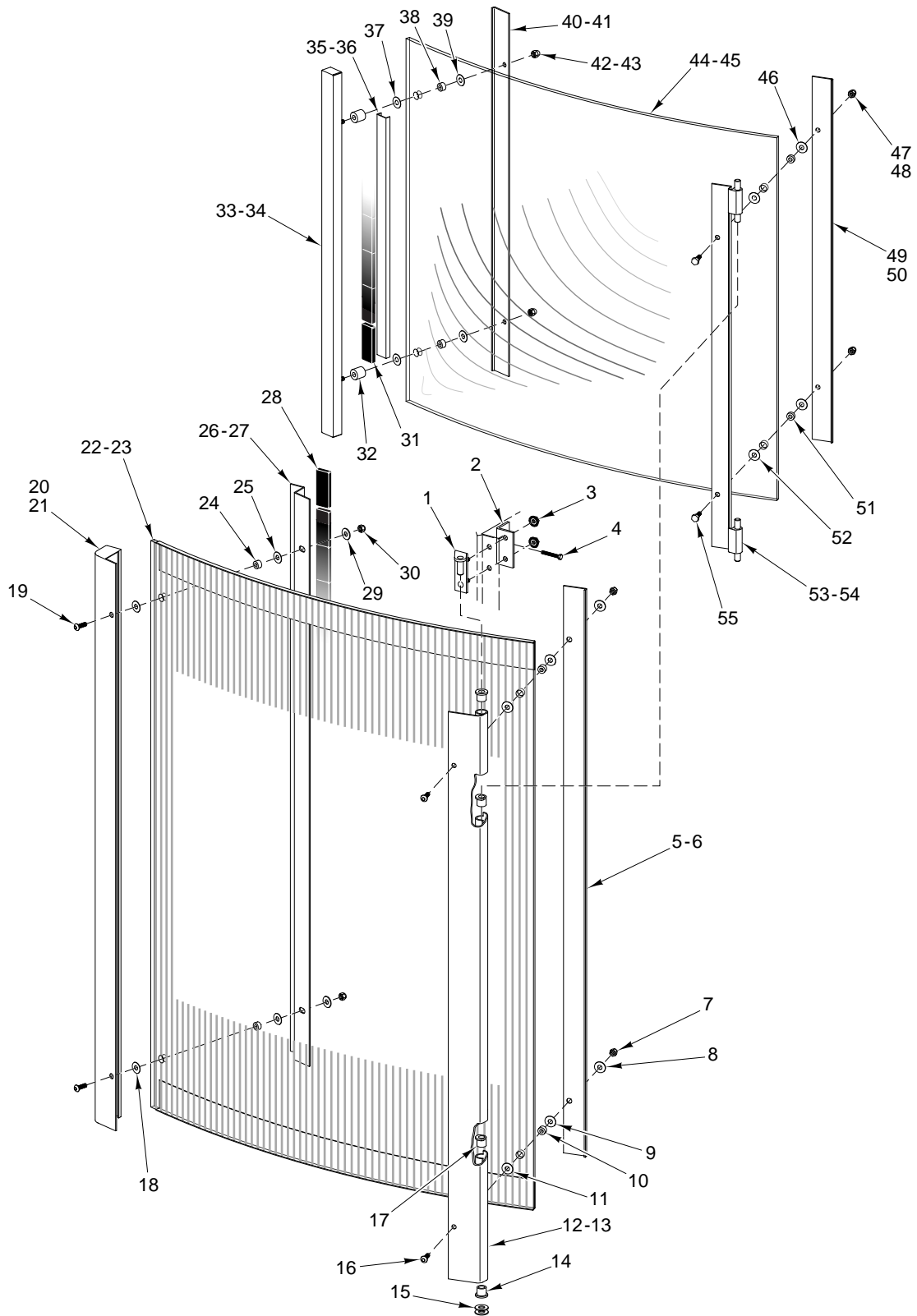


PL-53388

OVEN DOOR - OPERATOR SIDE

## OVEN DOOR - OPERATOR SIDE

ILLUS. PL-53388	PART NO.	NAME OF PART	AMT.
1	00-425900-00174	Glass - Outer (W/Edge Protector) (HR5) .....	1
2	00-425900-00173	Glass - Outer (W/Edge Protector) (HR7) .....	1
3	00-360128	Magnet - Door .....	AR
4	00-425900-00190	Screw - M5 x 45MM RD HD SST (Door Glass) .....	2
5	00-357553-00073	Washer M5 x 15 MM .....	2
6	00-425900-00120	Grip - Handle Attachment (HR5) .....	1
7	00-425900-00097	Grip - Handle Attachment (HR7) .....	1
8	00-425900-00187	Washer - 15MM OD x 7MM ID x .5MM THK .....	2
9	00-425900-00188	Spacer - Outer Door Glass .....	2
10	00-425900-00187	Washer - 15MM OD x 7MM ID x .5MM THK .....	2
11	00-425900-00050	Section - Magnet Assembly (HR5) .....	1
12	00-425900-00042	Section - Magnet Assembly (HR7) .....	1
13	00-425900-00132	Collar - Spacing (Handle) .....	2
14	00-425900-00062	Cover - Handgrip .....	2
15	00-425900-00131	Handle - Grip (HR5) .....	1
16	00-425900-00130	Handle - Grip (HR7) .....	1
17	00-425900-00187	Washer - 15MM OD x 7MM ID x .5MM THK .....	2
18	00-425900-00253	Shim - Door (M8) .....	AR
19	00-425900-00189	Screw - M5 x 16MM (Outer Door) .....	2
20	00-425900-00208	Bearing - Bush, (W/Flats) .....	2
21	00-425900-00035	Hinge - Assembly, (Outer Door) (HR5) .....	1
22	00-425900-00027	Hinge - Assembly, (Outer Door) (HR7) .....	1
23	00-425900-00079	Bearing - Bush .....	2
24	00-425900-00188	Spacer - Outer Door Glass .....	2
25	00-425900-00187	Washer - 15MM OD x 7MM ID x .5MM THK .....	2
26	00-425900-00117	Support - Outer Hinge (HR5) .....	1
27	00-425900-00096	Support - Outer Hinge (HR7) .....	1
28	00-357553-00073	Washer M5 x 15 MM .....	2
29	00-425900-00204	Nut - Locking M5 SST .....	2
30	00-425900-00031	Hinge - Assembly (RH) .....	1
31	00-357553-00100	Bolt - M5 x 20MM .....	1
32	00-425900-00142	Retainer - Hinge Adjustable .....	1
33	00-422905-00058	Cap Nut M5 (Tension Lock) .....	2
34	00-358521-00010	Bolt M5 x 12 MM .....	2
35	00-425900-00036	Hinge - Assembly (Inner Door) (HR5) .....	1
36	00-425900-00028	Hinge - Assembly (Inner Door) (HR7) .....	1
37	00-425900-00187	Washer - 15MM OD x 7MM ID x .5MM THK .....	2
38	00-425900-00192	Spacer - Inner Door Glass .....	2
39	00-425900-00187	Washer - 15MM OD x 7MM ID x .5MM THK .....	2
40	00-425900-00186	Support - Inner Hinge (HR5) .....	1
41	00-425900-00029	Support - Inner Hinge (HR7) .....	1
42	00-358580	Cap Nut M5 .....	2
43	00-542711	Adhesive - Loctite 620 .....	2
44	00-425900-00067	Glass - Inside (HR5) .....	1
45	00-425900-00063	Glass - Inside (HR7) .....	1
46	00-425900-00187	Washer - 15MM OD x 7MM ID x .5MM THK .....	2
47	00-358580	Cap Nut M5 .....	2
48	00-542711	Adhesive - Loctite 620 .....	2
49	00-425900-00186	Support - Inner Hinge (HR5) .....	1
50	00-425900-00029	Support - Inner Hinge (HR7) .....	1
51	00-425900-00192	Spacer - Inner Door Glass .....	2
52	00-425900-00187	Washer - 15MM OD x 7MM ID x .5MM THK .....	2
53	00-425900-00121	Section - Magnet Filler (HR5) .....	1
54	00-425900-00099	Section - Magnet Filler (HR7) .....	1
55	00-360128	Magnet - Door .....	AR
56	00-425900-00191	Spacer - Magnet Holder .....	2
57	00-425900-00119	Holder - Magnet (HR5) .....	1
58	00-425900-00098	Holder - Magnet (HR7) .....	1



PL-53389

OVEN DOOR - CUSTOMER SIDE

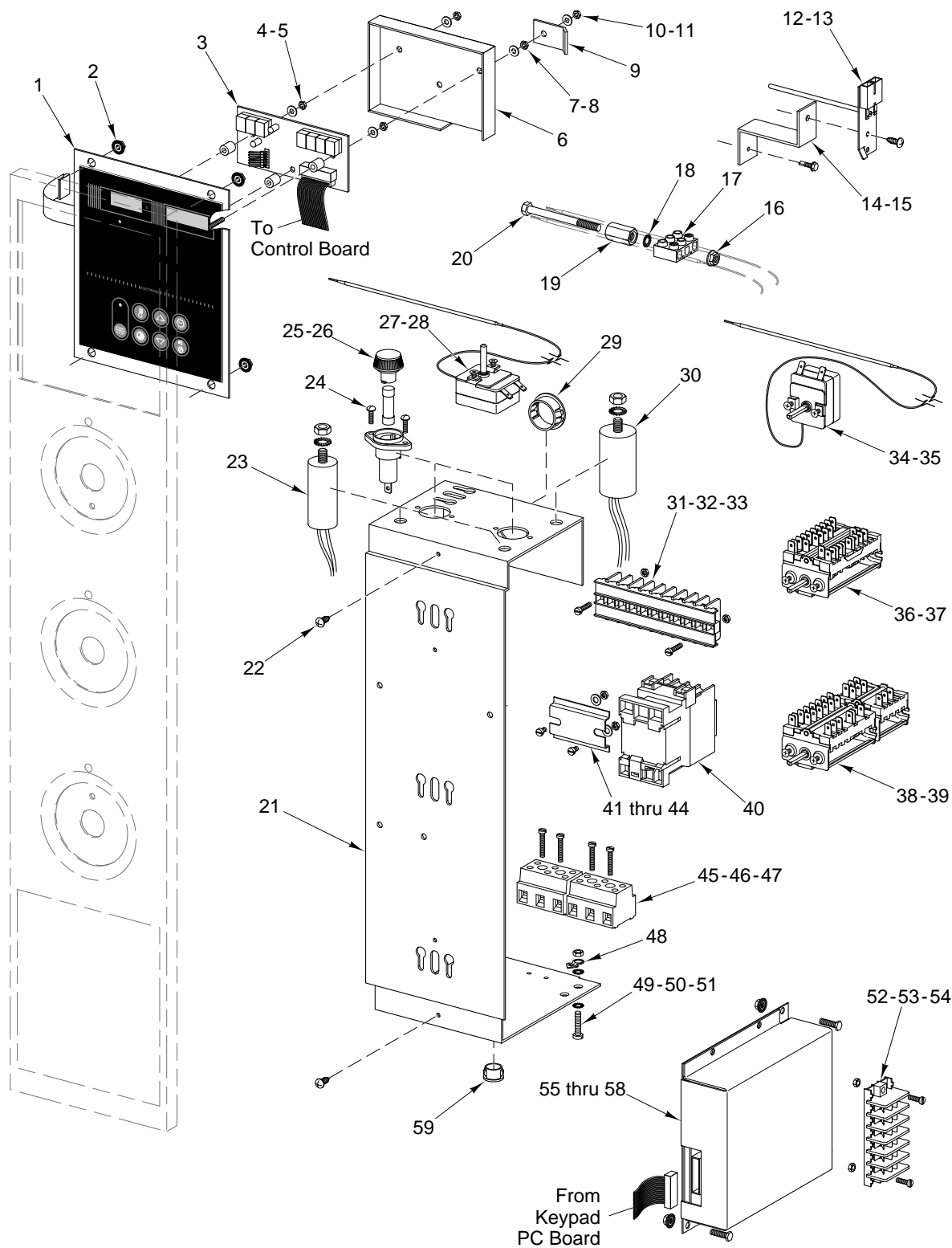
## OVEN DOOR - CUSTOMER SIDE

ILLUS. PL-53389	PART NO.	NAME OF PART	AMT.
1	00-425900-00030	Hinge - Assembly (LH) .....	1
2	00-425900-00142	Retainer - Hinge Adjustable .....	1
3	00-422905-00058	Cap Nut M5 (Tension Lock) .....	2
4	00-357553-00100	Bolt - M5 x 20MM .....	1
5	00-425900-00117	Support - Outer Hinge (HR5) .....	1
6	00-425900-00096	Support - Outer Hinge (HR7) .....	1
7	00-425900-00204	Nut - Locking M5 SST .....	2
8	00-357553-00073	Washer M5 x 15 MM .....	2
9	00-425900-00187	Washer - 15MM OD x 7MM ID x .5MM THK .....	2
10	00-425900-00188	Spacer - Outer Door Glass .....	2
11	00-425900-00187	Washer - 15MM OD x 7MM ID x .5MM THK .....	2
12	00-425900-00035	Hinge - Assembly (Outer Door) (HR5) .....	1
13	00-425900-00027	Hinge - Assembly (Outer Door) (HR7) .....	1
14	00-425900-00079	Bearing - Bush .....	2
15	00-425900-00253	Shim - Door (M8) .....	AR
16	00-425900-00189	Screw - M5 x 16MM (Outer Door) .....	2
17	00-425900-00208	Bearing - Bush, (W/Flats) .....	2
18	00-425900-00187	Washer - 15MM OD x 7MM ID x .5MM THK .....	2
19	00-425900-00189	Screw - M5 x 16MM (Outer Door) .....	2
20	00-425900-00050	Section - Magnet Assembly (HR5) .....	1
21	00-425900-00042	Section - Magnet Assembly (HR7) .....	1
22	00-425900-00174	Glass - Outer (W/Edge Protector) (HR5) .....	1
23	00-425900-00173	Glass - Outer (W/Edge Protector) (HR7) .....	1
24	00-425900-00188	Spacer - Outer Door Glass .....	2
25	00-425900-00187	Washer - 15MM OD x 7MM ID x .5MM THK .....	2
26	00-425900-00120	Grip - Handle Attachment (HR5) .....	1
27	00-425900-00097	Grip - Handle Attachment (HR7) .....	1
28	00-360128	Magnet - Door .....	AR
29	00-357553-00073	Washer M5 x 15 MM .....	2
30	00-425900-00204	Nut - Locking M5 SST .....	2
31	00-360128	Magnet - Door .....	AR
32	00-425900-00191	Spacer - Magnet Holder .....	2
33	00-425900-00119	Holder - Magnet (HR5) .....	1
34	00-425900-00098	Holder - Magnet (HR7) .....	1
35	00-425900-00121	Section - Magnet Filler (HR5) .....	1
36	00-425900-00099	Section - Magnet Filler (HR7) .....	1
37	00-425900-00187	Washer - 15MM OD x 7MM ID x .5MM THK .....	2
38	00-425900-00192	Spacer - Inner Door Glass .....	2
39	00-425900-00187	Washer - 15MM OD x 7MM ID x .5MM THK .....	2
40	00-425900-00186	Support - Inner Hinge (HR5) .....	1
41	00-425900-00029	Support - Inner Hinge (HR7) .....	1
42	00-358580	Cap Nut M5 .....	2
43	00-542711	Adhesive - Loctite 620 .....	2
44	00-425900-00067	Glass - Inside (HR5) .....	1
45	00-425900-00063	Glass - Inside (HR7) .....	1
46	00-425900-00187	Washer - 15MM OD x 7MM ID x .5MM THK .....	2
47	00-358580	Cap Nut M5 .....	2
48	00-542711	Adhesive - Loctite 620 .....	2
49	00-425900-00186	Support - Inner Hinge (HR5) .....	1
50	00-425900-00029	Support - Inner Hinge (HR7) .....	1
51	00-425900-00192	Spacer - Inner Door Glass .....	2
52	00-425900-00187	Washer - 15MM OD x 7MM ID x .5MM THK .....	2
53	00-425900-00036	Hinge - Assembly (Inner Door) (HR5) .....	1
54	00-425900-00028	Hinge - Assembly (Inner Door) (HR7) .....	1
55	00-358521-00010	Bolt M5 x 12 MM .....	2



OVEN CONTROL PANELS

ILLUS. PL-53390	PART NO.	NAME OF PART	AMT.
1	00-425900-00046	Panel - Instrument Assembly (HR5) .....	1
2	00-359460-00048	Ring - Sealing .....	3
3	00-425900-00077	Ring - Locking Knob .....	3
4	00-425900-00073	Dial - Temperature Control Knob .....	1
5	00-425900-00071	Knob - Control .....	3
6	00-425900-00076	Cover - Knob .....	3
7	00-425900-00146	Dial - Rotor Control .....	1
8	00-425900-00256	Screw - 4.2 x 13MM Sheet Metal .....	2
9	00-425900-00072	Dial - Power Control Ring .....	1
10	00-425900-00118	Panel - Assembly (Customer Side) (HR5) .....	1
11	00-425900-00104	Panel - Assembly (Customer Side) (HR7) .....	1
12	00-357553-00073	Washer M5 x 15 MM .....	2
13	00-357563	Screw - M5 x 8 MM Special .....	2
14	00-425774-00005	Nameplate - Hobart .....	1
15	00-422905-00058	Cap Nut M5 (Tension Lock) .....	4
16	00-425900-00040	Panel - Instrument Assembly (HR7) .....	1
17	00-357553-00073	Washer M5 x 15 MM .....	2
18	00-357563	Screw - M5 x 8 MM Special .....	2
19	00-425900-00072	Dial - Power Control Ring .....	1
20	00-425900-00256	Screw - 4.2 x 13MM Sheet Metal .....	2
21	00-425900-00146	Dial - Rotor Control .....	1
22	00-425900-00076	Cover - Knob .....	3
23	00-425900-00071	Knob - Control .....	3
24	00-425900-00073	Dial - Temperature Control Knob .....	1
25	00-425900-00077	Ring - Locking Knob .....	3
26	00-359460-00048	Ring - Sealing .....	3
	00-425900-00179	Knob - (Oven Thermostat Kit) (Includes items 3, 4, 5 & 6) .....	1
	00-425900-00180	Knob - (Rotor Control Kit) (Includes items 3, 5, 6 & 7) .....	1
	00-425900-00181	Knob - (Oven Main Power Kit) (Includes items 3, 5, 6 & 9) .....	1

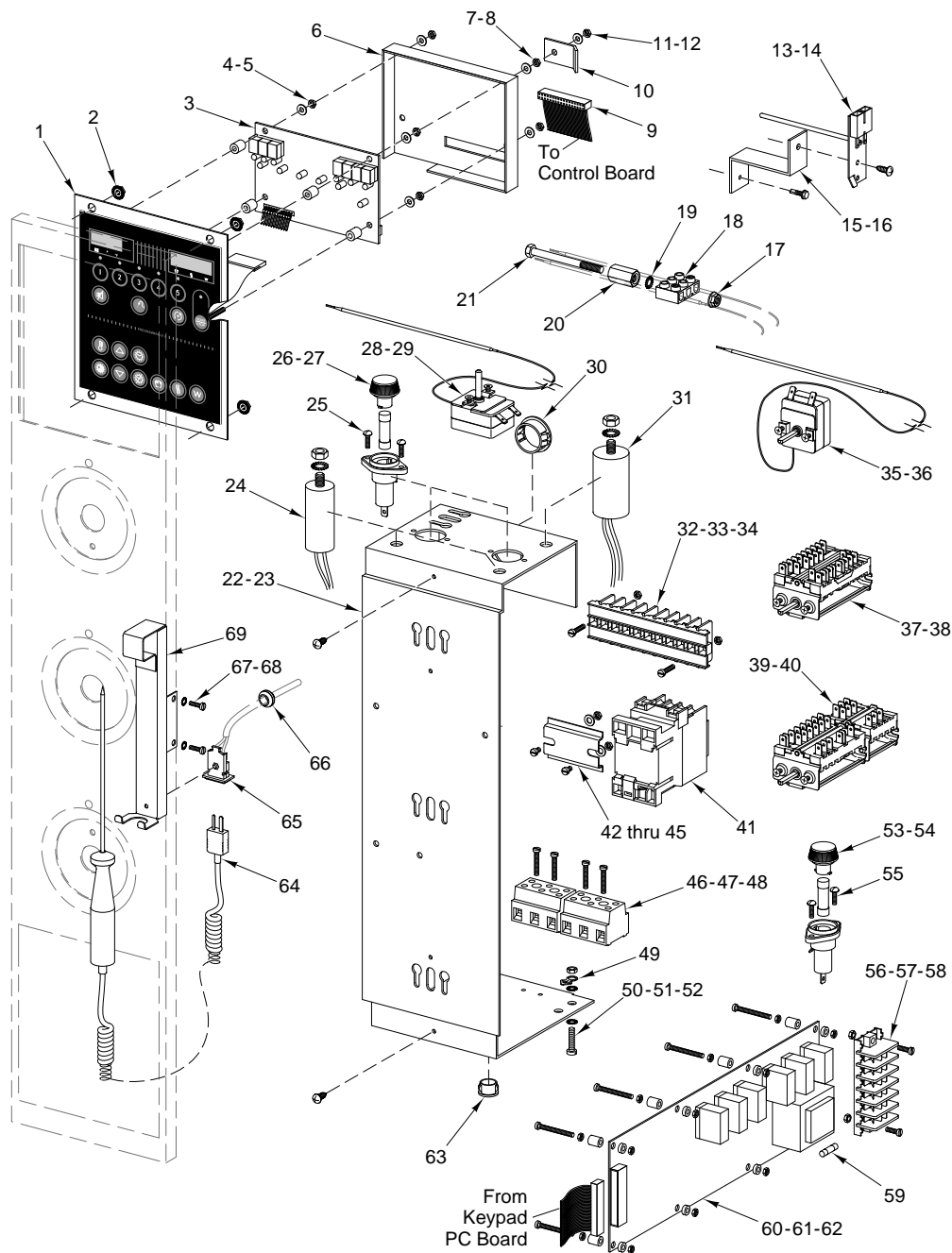


PL-53391

**ELECTRONIC OVEN  
ELECTRICAL COMPONENTS**

## ELECTRONIC OVEN ELECTRICAL COMPONENTS

ILLUS. PL-53391	PART NO.	NAME OF PART	AMT.
1	00-425774-00006	Keypad - Assembly (Electronic) (Hobart) .....	1
2	00-422905-00058	Cap Nut M5 (Tension Lock) .....	4
3	00-425900-00156	Board - Circuit (Incls. nylon standoffs & ribbon cable) .....	1
4	00-358521-00052	Nut M4 .....	3
5	00-425900-00283	Washer - M4 8 x 4.3 x 1.5MM Nylon .....	3
6	00-425900-00157	Cover - Bin .....	1
7	00-358521-00052	Nut M4 .....	3
8	00-357553-00084	Washer - M4 .....	3
9	00-425900-00201	Clip - Fixation .....	1
10	00-358521-00052	Nut M4 .....	1
11	00-357553-00084	Washer - M4 .....	1
12	00-356946	Sensor - Temperature (Oven) .....	1
13	00-425900-00256	Screw - 4.2 x 13MM Sheet Metal .....	1
14	00-422905-00022	Bracket - PT Element (HR5) .....	1
15	00-357553-00097	Screw - 4.8 x 13 MM Supertex .....	1
16	00-425900-00215	Nut - Locking (M6) (HR5) .....	1
17	00-425900-00214	Block - Connector 2 Pole (HR5) .....	1
18	00-357568	Washer - M6 (HR5) Spring Toothed .....	1
19	00-425900-00213	Spacer - M8 x 23MM Long (HR5) .....	1
20	00-425900-00212	Bolt - M6 x 70MM Long (HR5) .....	1
21	00-425900-00126	Panel - Electrical .....	1
22	00-425900-00256	Screw - 4.2 x 13MM Sheet Metal .....	2
23	00-359460-00057	Capacitor 1.5 mf .....	2
24	00-425900-00257	Self - Tapping Screw M4 x 16MM Phil. Pan Hd. ....	2
25	00-356840	Holder - Fuse (15A, 300V.) (HPS-EE) .....	2
26	00-359460-00083	Fuse - PC Board (3A, 300V., Type SC) .....	2
27	00-360145	Thermostat .....	1
28	00-425900-00264	Screw - M4 x 6 MM Slotted Flat HD. ....	2
29	00-360143	Bushing - Snap (28 MM) .....	1
30	00-360201	Capacitor 2.5 mf .....	1
31	00-425900-00143	Terminal - Block, (12 Pole) .....	1
32	00-425900-00261	Screw - M4 x 16 MM Cheese HD. ....	2
33	00-357553-00086	Nut - M4 .....	2
34	00-360145	Thermostat .....	1
35	00-425900-00264	Screw - M4 x 6 MM Slotted Flat HD. ....	2
36	00-425900-00080	Switch - Selector .....	1
37	00-425900-00265	Screw - M4 x 6 MM SST Phil Bind HD. ....	2
38	00-425900-00151	Switch - Power .....	1
39	00-425900-00265	Screw - M4 x 6 MM SST Phil Bind HD. ....	2
40	00-356941	Switch - Magnet .....	1
41	00-356842	Bracket - Terminal Block Mounting .....	1
42	00-425900-00258	Screw - M4 x 6 MM Cheese HD. ....	2
43	00-357553-00054	Lock - Washer, M4 .....	2
44	00-357553-00086	Nut - M4 .....	2
45	00-358712-00001	Block - Terminal "1,2,3" .....	1
46	00-358712-00002	Block - Terminal "4,5,6" .....	1
47	00-425900-00259	Screw - M4 x 20 MM Cheese HD. ....	4
48	00-360280	Plate - Ground .....	1
49	00-425900-00260	Screw - M5 x 20 MM Hex HD. ....	1
50	00-357553-00127	Washer - Star (M5) .....	2
51	00-357553-00056	Nut M5 .....	1
52	00-422800-00068	Terminal-Block (6 Pole) .....	1
53	00-425900-00261	Screw - M4 x 16 MM Cheese HD. ....	2
54	00-357553-00086	Nut - M4 .....	2
55	00-359460-00061	Timer - Control (12 Hr.) .....	1
56	00-425900-00262	Screw - M5 x 10 MM Hex HD. ....	2
57	00-422905-00058	Cap Nut M5 (Tension Lock) .....	2
58	00-422905-00105	Fuse - 63MA, (PC Board) .....	1
59	00-357553-00019	Grommet (SB 562-7) .....	1



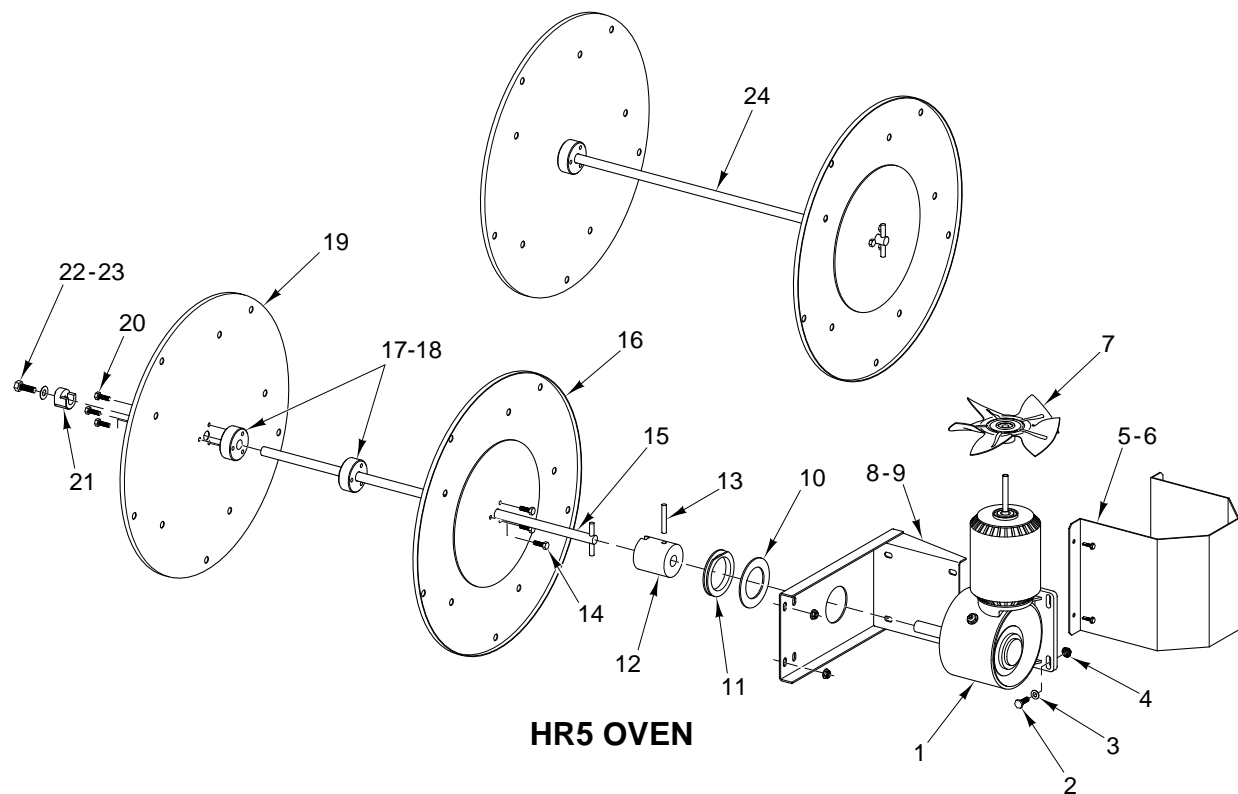
PL-53392

### PROGRAMMABLE OVEN ELECTRICAL COMPONENTS

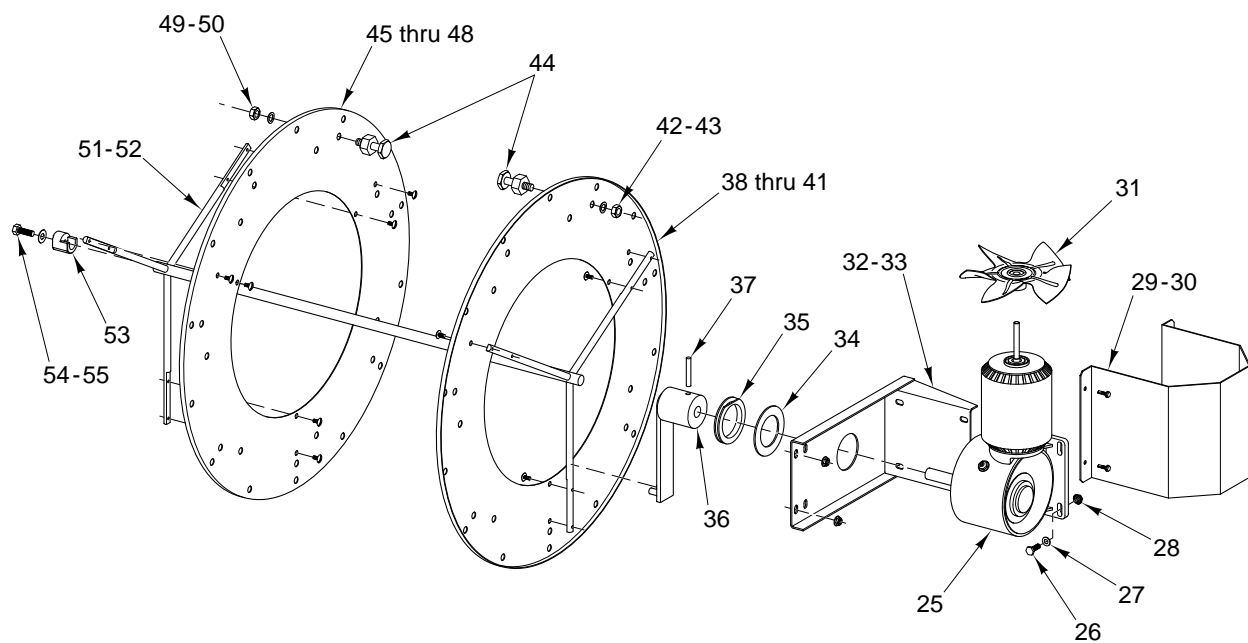
ILLUS. PL-53392	PART NO.	NAME OF PART	AMT.
1	00-425774-00009	Keypad - Assy. (Program) (Hobart) .....	1
2	00-422905-00058	Cap Nut M5 (Tension Lock) .....	4
3	00-359758-00007	Display - Board HRO "P" Models (Incls. nylon standoffs) .....	1
4	00-358521-00052	Nut M4 .....	4
5	00-425900-00283	Washer - M4 8 x 4.3 x 1.5MM Nylon .....	4
6	00-425900-00138	Cover - Bin .....	1
7	00-358521-00052	Nut M4 .....	4

**PROGRAMMABLE OVEN  
ELECTRICAL COMPONENTS - (CON'T.)**

ILLUS. PL-53392	PART NO.	NAME OF PART	AMT.
8	00-357553-00084	Washer - M4 .....	4
9	00-425900-00211	Ribbon - Cable, (Long) .....	1
10	00-425900-00201	Clip - Fixation .....	1
11	00-358521-00052	Nut M4 .....	1
12	00-357553-00084	Washer - M4 .....	1
13	00-356946	Sensor - Temperature (Oven) .....	1
14	00-425900-00256	Screw - 4.2 x 13MM Sheet Metal .....	1
15	00-422905-00022	Bracket - PT Element (HR5) .....	1
16	00-357553-00097	Screw - 4.8 x 13 MM Supertex .....	1
17	00-425900-00215	Nut - Locking, (M6) (HR5) .....	1
18	00-425900-00214	Block - Connector (2 Pole) (HR5) .....	1
19	00-357568	Washer - (M6) (HR5) Spring Toothed .....	1
20	00-425900-00213	Spacer - M8 x 23MM Long (HR5) .....	1
21	00-425900-00212	Bolt - M6 x 70MM Long (HR5) .....	1
22	00-425900-00126	Panel - Electrical .....	1
23	00-425900-00256	Screw - 4.2 x 13MM Sheet Metal .....	2
24	00-359460-00057	Capacitor 1.5 mf .....	2
25	00-425900-00257	Self - Tapping Screw M4 x 16MM Phil. Pan Hd. ....	2
26	00-356840	Holder - Fuse (15A, 300V.) (HPS-EE) .....	2
27	00-359460-00083	Fuse - PC Board (3A, 300V., Type SC) .....	2
28	00-360145	Thermostat .....	1
29	00-425900-00264	Screw - M4 x 6 MM Slotted Flat HD. ....	2
30	00-360143	Bushing - Snap (28 MM) .....	1
31	00-360201	Capacitor 2.5 mf .....	1
32	00-425900-00143	Terminal - Block, (12 Pole) .....	1
33	00-425900-00261	Screw - M4 x 16 MM Cheese HD. ....	2
34	00-357553-00086	Nut - M4 .....	2
35	00-360145	Thermostat .....	1
36	00-425900-00264	Screw - M4 x 6 MM Slotted Flat HD. ....	2
37	00-425900-00080	Switch - Selector .....	1
38	00-425900-00265	Screw - M4 x 6 MM SST Phil Bind HD. ....	2
39	00-425900-00151	Switch - Power .....	1
40	00-425900-00265	Screw - M4 x 6 MM SST Phil Bind HD. ....	2
41	00-356941	Switch - Magnet .....	1
42	00-356842	Bracket - Terminal Block Mounting .....	1
43	00-425900-00258	Screw - M4 x 6 MM Cheese HD. ....	2
44	00-357553-00054	Lock - Washer, M4 .....	2
45	00-357553-00086	Nut - M4 .....	2
46	00-358712-00001	Block - Terminal "1,2,3" .....	1
47	00-358712-00002	Block - Terminal "4,5,6" .....	1
48	00-425900-00259	Screw - M4 x 20 MM Cheese HD. ....	4
49	00-360280	Plate - Ground .....	1
50	00-425900-00260	Screw - M5 x 20 MM Hex HD. ....	1
51	00-357553-00127	Washer - Star (M5) .....	2
52	00-357553-00056	Nut M5 .....	1
53	00-356840	Holder - Fuse (15A, 300V.) (HPS-EE) .....	2
54	00-422905-00097	Fuse - 10A (Type SC) (Timed Delay) .....	1
55	00-425900-00257	Self - Tapping Screw M4 x 16MM Phil. Pan Hd. ....	2
56	00-422800-00068	Terminal-Block (6 Pole) .....	1
57	00-425900-00261	Screw - M4 x 16 MM Cheese HD. ....	2
58	00-357553-00086	Nut - M4 .....	2
59	00-422905-00105	Fuse - 63MA, (PC Board) .....	1
60	00-422905-00100	Control - Board (Incls. nylon bushings, 4MM nylon rings & item 59) .....	1
61	00-425900-00284	Screw - M4 x 30 Slotted Cheese Hd, Steel Zinc Plated .....	8
62	00-357553-00086	Nut - M4 .....	16
63	00-357553-00019	Grommet (SB 562-7) .....	1
64	00-359758-00012	Probe - Meat .....	1
65	00-359758-00011	Holder - Meat Probe .....	1
66	00-425900-00185	Bushing - Probe, 3/8 (10MM) Hole .....	1
67	00-425900-00267	Screw - M3 x 10 MM Cheese HD. ....	2
68	00-425900-00268	Washer - M3 .....	2
69	00-425900-00175	Holder - Probe .....	1
	00-425900-00090	Probe - Assy. (Incls. items 64, 65 & 69) .....	1



HR5 OVEN



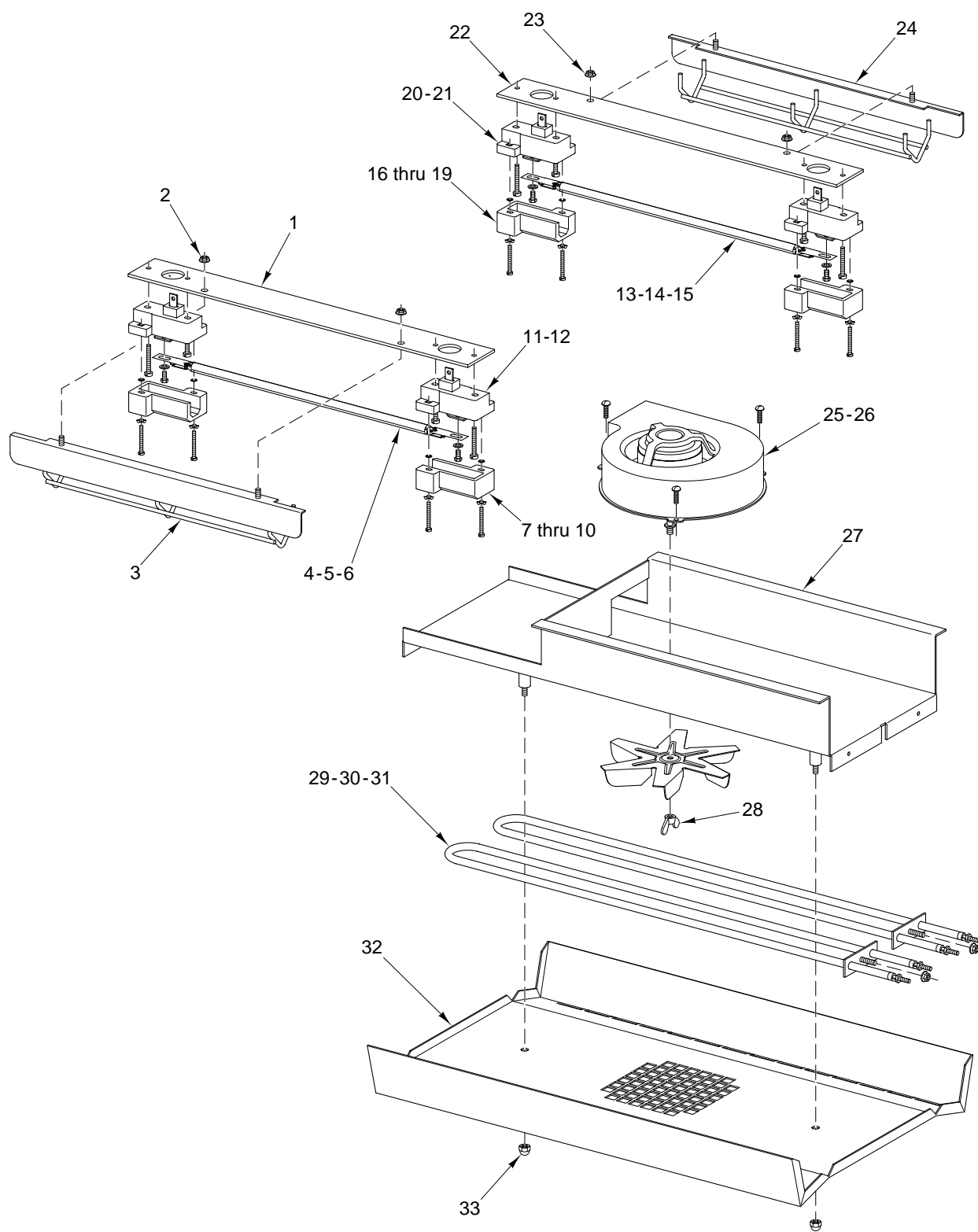
HR7 OVEN

PL-53393

ROTISSERIE & DRIVE MOTOR

## ROTISSERIE & DRIVE MOTOR

ILLUS. PL-53393	PART NO.	NAME OF PART	AMT.
1	00-425900-00082	Motor - Drive .....	1
2	SC-120-48	Cap Screw M6 x 1.0 x 18mm Hex Hd. ....	4
3	WS-030-32	Washer 6.4mm x 12.5mm x 1.5mm .....	4
4	00-425900-00215	Nut - M6 (Tensionlock) .....	4
5	00-425900-00145	Guard - Fan .....	1
6	00-357553-00097	Screw - 4.8 x 13 MM Supertex .....	4
7	00-425900-00149	Blade - Circulation Rotor .....	1
8	00-425900-00037	Support - Motor Assembly .....	1
9	00-425900-00215	Nut - M6 (Tensionlock) .....	4
10	00-359460-00049	Seal - Outside Motor Shaft .....	1
11	00-360137	Seal - Ring .....	1
12	00-422905-00090	Bushing - Drive (HR5) .....	1
13	00-425900-00177	Pin - SPIROL Hub, 6 MM Dia. x 40 MM .....	1
14	00-422800-00165	Bolt - M6 x 12 MM (HR5) .....	3
15	00-360134	Shaft - Rotor (HR5) .....	1
16	00-422905-00101	Disc - Rotor (Drive Side) (HR5) .....	1
17	00-360132	Stud - Disc (HR5) .....	2
18	SC-117-32	Set Screw M8 x 1.25 x 16mm Hdls. Cup Pt. ....	2
19	00-422905-00102	Disc - Rotor (Pin Side) (HR5) .....	1
20	00-422800-00165	Bolt - M6 x 12 MM (HR5) .....	3
21	00-425900-00083	Bearing - Supporting (12MM) (HR5) .....	1
22	00-359460-00055	Washer - Grease Sealing .....	1
23	00-425900-00165	Bolt - M8 x 16 MM .....	1
24	00-425900-00244	Rotor - Assembly (Coated) (HR5) .....	1
25	00-425900-00082	Motor - Drive .....	1
26	SC-120-48	Cap Screw M6 x 1.0 x 18mm Hex Hd. ....	4
27	WS-030-32	Washer 6.4mm x 12.5mm x 1.5mm .....	4
28	00-425900-00215	Nut - M6 (Tensionlock) .....	4
29	00-425900-00145	Guard - Fan .....	1
30	00-357553-00097	Screw - 4.8 x 13 MM Supertex .....	4
31	00-425900-00149	Blade - Circulation Rotor .....	1
32	00-425900-00037	Support - Motor Assembly .....	1
33	00-425900-00215	Nut - M6 (Tensionlock) .....	4
34	00-359460-00049	Seal - Outside Motor Shaft .....	1
35	00-360137	Seal - Ring .....	1
36	00-425900-00176	Arm & Hub Assembly (HR7) .....	1
37	00-425900-00177	Pin - SPIROL Hub, 6 MM Dia. x 40 MM .....	1
38	00-357516-00002	Disc - Rotor (Right) (For Rack/Basket W/Welded Pins) (HR7) .....	1
39	00-422905-00059	Screw M5 x 8 MM .....	6
40	00-425900-00281	Disc - Rotor (Right) (For Rack/Basket W/O Welded Pins) (Includes Item 44) (HR7) .....	1
41	00-425900-00231	Disc - Rotor (Right) (7 Spit Coated) (Incls. 7 Support Pins) (HR7) .....	1
42	SL-005-09	Washer Spring Loading .....	7
43	NS-047-36	Nut - M8 x 1.25 MM Hex .....	7
44	00-360202	Pin - Support .....	14
45	00-357516-00001	Disc - Rotor (Left) (For Rack/Basket W/Welded Pins) (HR7) .....	1
46	00-422905-00059	Screw M5 x 8 MM .....	6
47	00-425900-00279	Disc - Rotor (Left) (For Rack/Basket W/O Welded Pins) (Includes Item 44) (HR7) .....	1
48	00-425900-00232	Disc - Rotor (Left) (7 Spit Coated) (Incls. 7 Support Pins) (HR7) .....	1
49	SL-005-09	Washer Spring Loading .....	7
50	NS-047-36	Nut - M8 x 1.25 MM Hex .....	7
51	00-360195	Shaft - Rotor (HR7) .....	1
52	00-425900-00229	Shaft - Rotor (Coated) W/12 M5 Coated Screws (HR7) .....	1
53	00-425900-00084	Support - Bearing (HR7) .....	1
54	00-359460-00055	Washer - Grease Sealing .....	1
55	00-425900-00165	Bolt - M8 x 16 MM .....	1
	00-425900-00092	Motor - & Hub Assembly (HR5) (Incls. items 1, 12 & 13) .....	1
	00-425900-00091	Motor - & Arm Assembly (HR7) (Incls. items 25, 36 & 37) .....	1

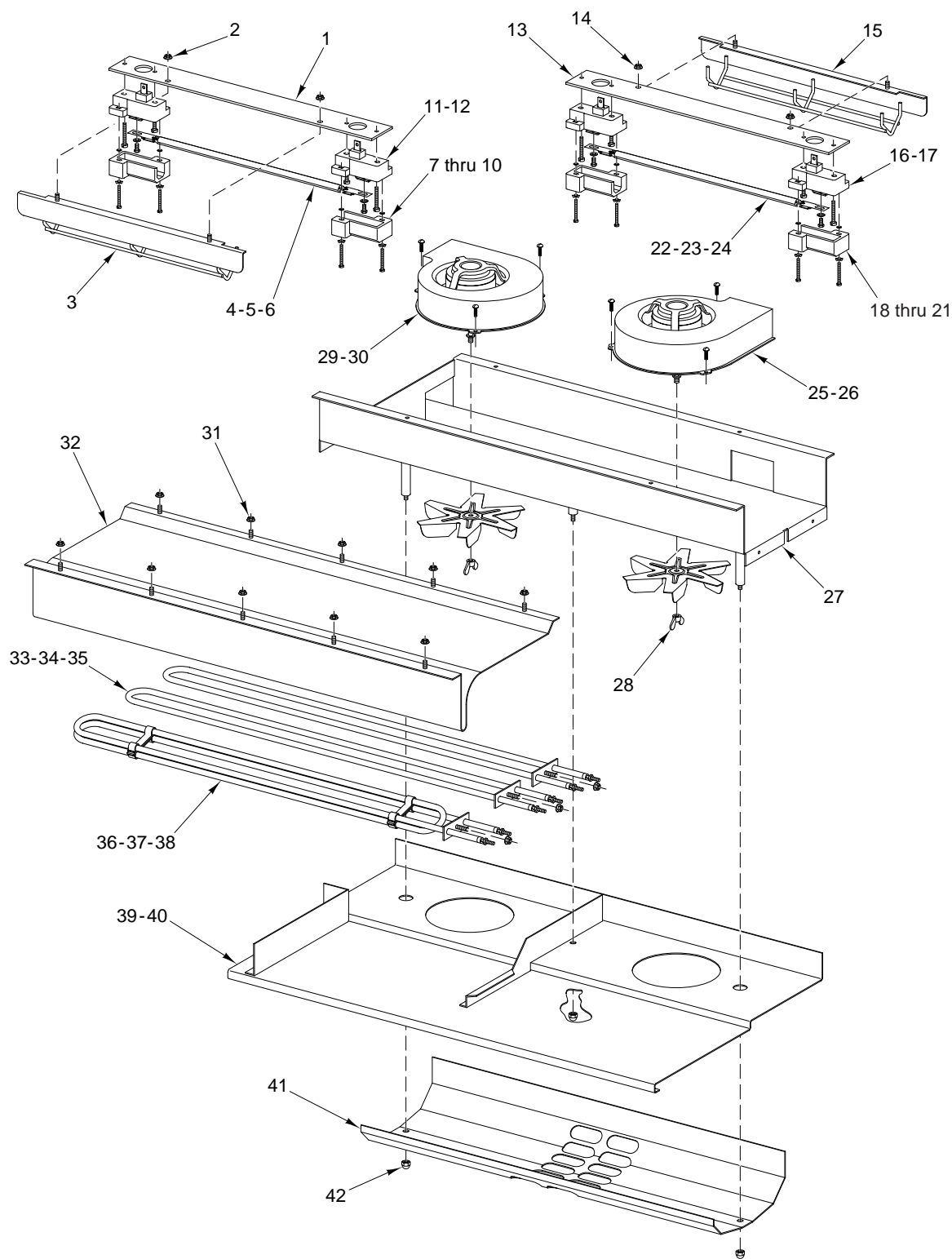


PL-53394

HR5 HEATING & VENTING

## HR5 HEATING &amp; VENTING

ILLUS. PL-53394	PART NO.	NAME OF PART	AMT.
1	00-359460-00066	Strip - Lamp Holder Mounting .....	1
2	00-422905-00058	Cap Nut M5 (Tension Lock) .....	2
3	00-359460-00013	Protector - Quartz Lamp .....	1
4	00-360155	Lamp - Quartz .....	1
5	SC-120-50	Cap Screw M5 x 0.8 x 8mm Hex Hd. ....	2
6	WS-022-06	Washer .....	2
7	00-360156	Holder - Quartz Lamp Cap .....	2
8	00-357553-00104	Screw - M4 x 30 MM .....	4
9	00-358521-00042	Washer - Spring Corrugated (M4) .....	4
10	00-425900-00275	Washer - Retainer 3.5 x 6 MM .....	4
11	00-360129	Holder - Quartz Lamp Base .....	2
12	00-425900-00272	Screw - M5 x 30 MM SS A2 .....	4
13	00-360155	Lamp - Quartz .....	1
14	SC-120-50	Cap Screw M5 x 0.8 x 8mm Hex Hd. ....	2
15	WS-022-06	Washer .....	2
16	00-360156	Holder - Quartz Lamp Cap .....	2
17	00-357553-00104	Screw - M4 x 30 MM .....	4
18	00-358521-00042	Washer - Spring Corrugated (M4) .....	4
19	00-425900-00275	Washer - Retainer 3.5 x 6 MM .....	4
20	00-360129	Holder - Quartz Lamp Base .....	2
21	00-425900-00272	Screw - M5 x 30 MM SS A2 .....	4
22	00-359460-00066	Strip - Lamp Holder Mounting .....	1
23	00-422905-00058	Cap Nut M5 (Tension Lock) .....	2
24	00-359460-00013	Protector - Quartz Lamp .....	1
25	00-425900-00167	Motor - Vent W/Fan (220/50/60) .....	1
26	00-425900-00257	Self - Tapping Screw M4 x 16MM Phil. Pan Hd. ....	3
27	00-422905-00007	Plate - Mounting, Fan Assembly .....	1
28	00-422905-00108	Nut - Fan (M6) (Left Hand) .....	1
29	00-422905-00009	Element - Heating (2000 Watts Each Unit)(208V.) .....	2
30	00-422905-00010	Element - Heating (2000 Watts Each Unit)(240V.) .....	2
31	00-422905-00058	Cap Nut M5 (Tension Lock) .....	2
32	00-422905-00026	Plate - Lamp Holder (With Air Slots) .....	1
33	00-358580	Cap Nut M5 .....	2

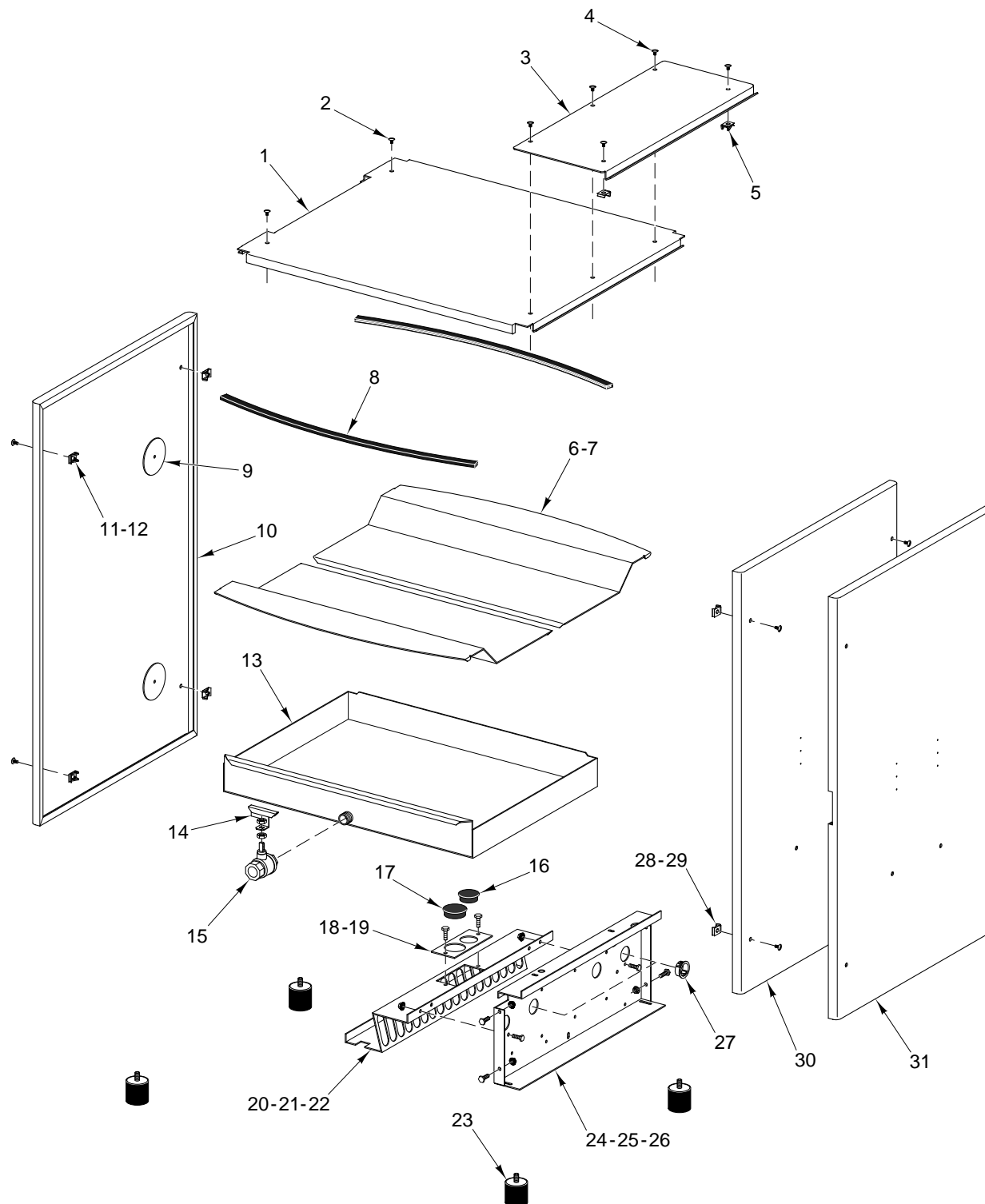


PL-53395

HR7 HEATING & VENTING

## HR7 HEATING &amp; VENTING

ILLUS. PL-53395	PART NO.	NAME OF PART	AMT.
1	00-359460-00066	Strip - Lamp Holder Mounting .....	1
2	00-422905-00058	Cap Nut M5 (Tension Lock) .....	2
3	00-359460-00013	Protector - Quartz Lamp .....	1
4	00-360155	Lamp - Quartz .....	1
5	SC-120-50	Cap Screw M5 x 0.8 x 8mm Hex Hd. ....	2
6	WS-022-06	Washer .....	2
7	00-360156	Holder - Quartz Lamp Cap .....	2
8	00-357553-00104	Screw - M4 x 30 MM .....	4
9	00-358521-00042	Washer - Spring Corrugated (M4) .....	4
10	00-425900-00275	Washer - Retainer 3.5 x 6 MM .....	4
11	00-360129	Holder - Quartz Lamp Base .....	2
12	00-425900-00272	Screw - M5 x 30 MM SS A2 .....	4
13	00-359460-00066	Strip - Lamp Holder Mounting .....	1
14	00-422905-00058	Cap Nut M5 (Tension Lock) .....	2
15	00-359460-00013	Protector - Quartz Lamp .....	1
16	00-360129	Holder - Quartz Lamp Base .....	2
17	00-425900-00272	Screw - M5 x 30 MM SS A2 .....	4
18	00-360156	Holder - Quartz Lamp Cap .....	2
19	00-357553-00104	Screw - M4 x 30 MM .....	4
20	00-358521-00042	Washer - Spring Corrugated (M4) .....	4
21	00-425900-00275	Washer - Retainer 3.5 x 6 MM .....	4
22	00-360155	Lamp - Quartz .....	1
23	SC-120-50	Cap Screw M5 x 0.8 x 8mm Hex Hd. ....	2
24	WS-022-06	Washer .....	2
25	00-359460-00025	Blower (W/Fan Blade) .....	1
26	00-425900-00257	Self - Tapping Screw M4 x 16MM Phil. Pan Hd. ....	3
27	00-425900-00038	Vent - Chasis Assembly .....	1
28	00-422905-00108	Nut - Fan (M6) (Left Hand) .....	2
29	00-359460-00025	Blower (W/Fan Blade) .....	1
30	00-425900-00257	Self - Tapping Screw M4 x 16MM Phil. Pan Hd. ....	3
31	00-422905-00058	Cap Nut M5 (Tension Lock) .....	AR
32	00-425900-00018	Shield - Heat Assembly .....	1
33	00-356894	Element - Heating (208V) (2100 Watts) .....	2
34	00-357813	Element - Heating (240V)(2100 Watts) .....	2
35	00-422905-00058	Cap Nut M5 (Tension Lock) .....	2
36	00-359460-00046	Element - Heating (208V.)(3100 Watts) .....	1
37	00-359460-00047	Element - Heating (240V.)(3100 Watts) .....	1
38	00-422905-00058	Cap Nut M5 (Tension Lock) .....	1
39	00-359460-00022	Plate - Ventilating .....	1
40	00-358580	Cap Nut M5 .....	1
41	00-359460-00017	Plate - Air Deflector .....	1
42	00-358580	Cap Nut M5 .....	2

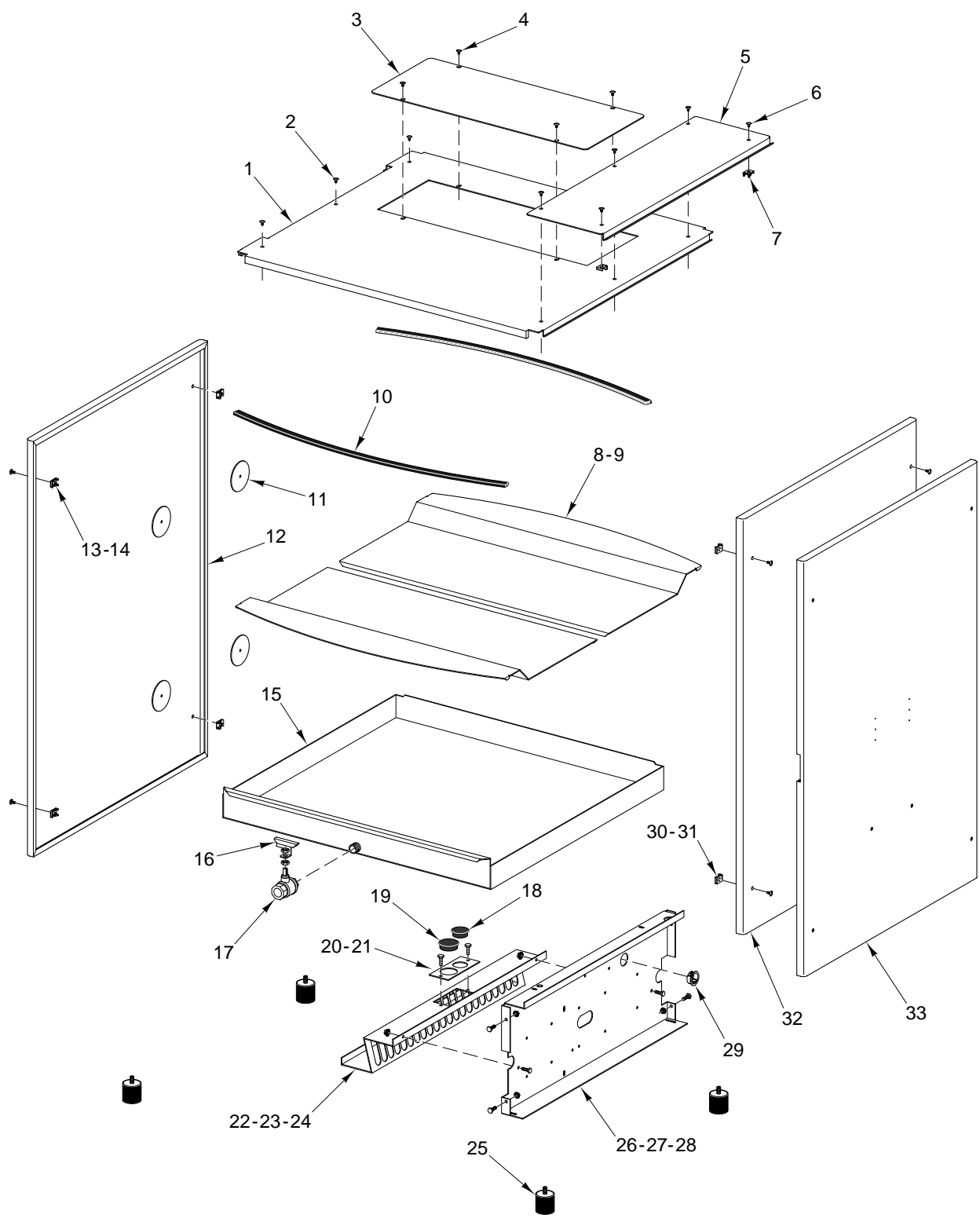


PL-53396

HR5 OVEN FRAME

HR5 OVEN FRAME

ILLUS. PL-53396	PART NO.	NAME OF PART	AMT.
1	00-425900-00110	Panel - Outer (Upper) .....	1
2	00-422905-00059	Screw M5 x 8 MM .....	2
3	00-425900-00111	Cover - Assembly .....	1
4	00-422905-00059	Screw M5 x 8 MM .....	5
5	00-425900-00078	Nut - Tinnerman M5 .....	2
6	00-425900-00112	Shield - Drip (Bottom) .....	2
7	00-425900-00240	Shield - Drip (Bottom) (Coated) .....	2
8	00-425900-00205	Gasket .....	2
9	00-359460-00045	Retainer - Insulation .....	2
10	00-425900-00032	Panel - Outer Assembly .....	1
11	00-422905-00059	Screw M5 x 8 MM .....	4
12	00-425900-00078	Nut - Tinnerman M5 .....	4
13	00-425900-00045	Drawer - Assembly .....	1
14	00-425900-00154	Handle .....	1
15	00-425900-00058	Valve - Drawoff .....	1
16	00-425900-00183	Bushing - Cap (1¼") .....	1
17	00-425900-00184	Bushing - Cap (1½") .....	1
18	00-425900-00137	Plate - Power Conduits .....	1
19	00-357563	Screw - M5 x 8 MM Special .....	2
20	00-425900-00225	Bin - Spark .....	1
21	00-357563	Screw - M5 x 8 MM Special .....	2
22	00-422905-00058	Cap Nut M5 (Tension Lock) .....	2
23	00-360037	Foot .....	4
24	00-425900-00116	Plate - Mounting .....	1
25	00-357563	Screw - M5 x 8 MM Special .....	4
26	00-422905-00058	Cap Nut M5 (Tension Lock) .....	4
27	00-360143	Bushing - Snap (28 MM) .....	2
28	00-425900-00078	Nut - Tinnerman M5 .....	4
29	00-422905-00059	Screw M5 x 8 MM .....	4
30	00-425900-00223	Panel - Outer Assembly (RH) (W/Data Plate Holes) .....	1
31	00-425900-00054	Panel - Outer Assembly (RH) (Programmable, W/Data Plate Holes) .....	1

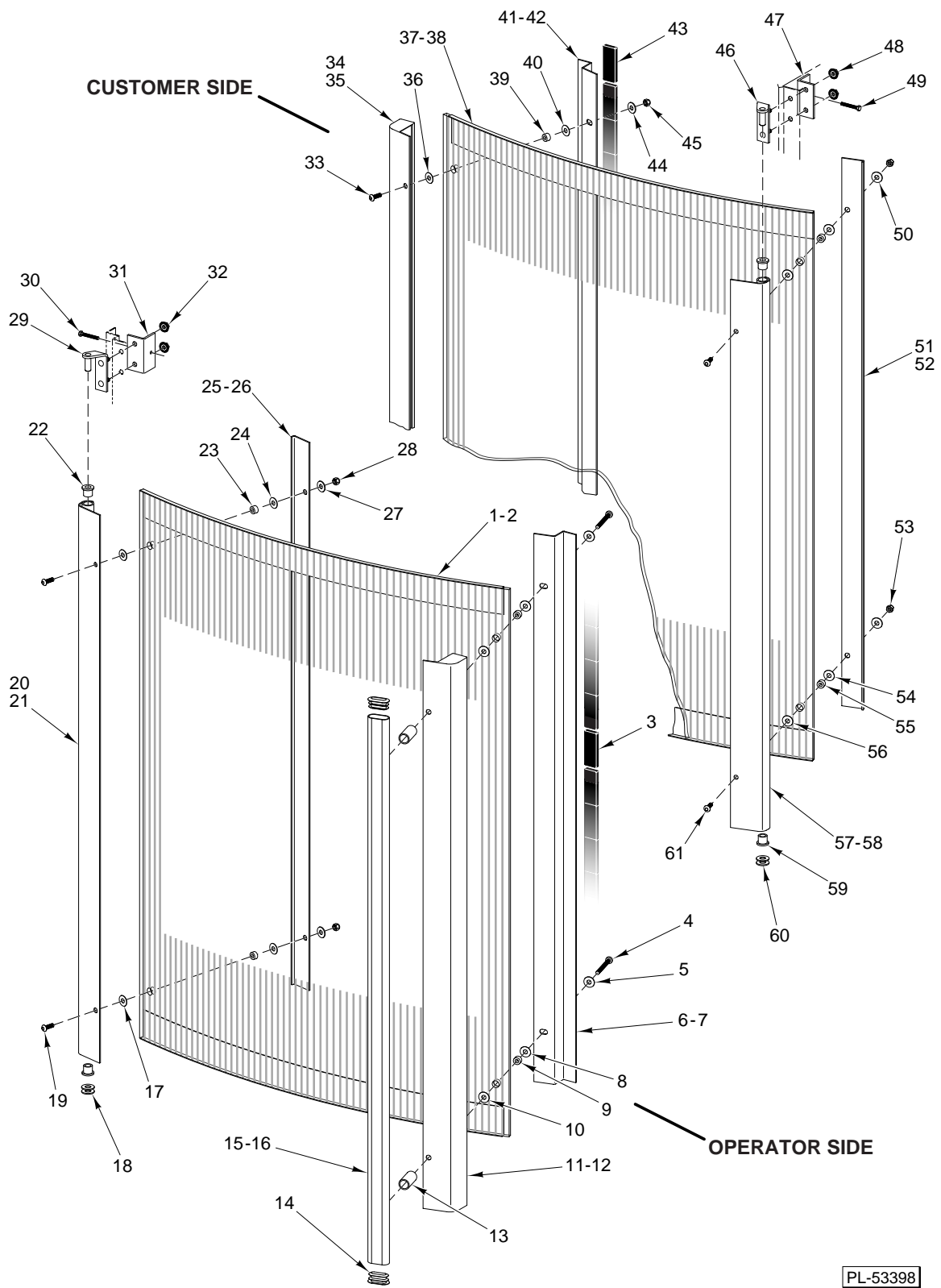


PL-53397

HR7 OVEN FRAME

## HR7 OVEN FRAME

ILLUS. PL-53397	PART NO.	NAME OF PART	AMT.
1	00-425900-00093	Panel - Outer .....	1
2	00-422905-00059	Screw M5 x 8 MM .....	3
3	00-425900-00125	Cover - Vent Hatch .....	1
4	00-422905-00059	Screw M5 x 8 MM .....	4
5	00-425900-00094	Cover - Assembly .....	1
6	00-422905-00059	Screw M5 x 8 MM .....	5
7	00-425900-00078	Nut - Tinnerman M5 .....	2
8	00-425900-00095	Shield - Drip (Bottom) .....	2
9	00-425900-00230	Shield - Drip (Bottom) (Coated) .....	2
10	00-425900-00206	Gasket .....	2
11	00-359460-00045	Retainer - Insulation .....	4
12	00-425900-00026	Panel - Outer (LH) .....	1
13	00-422905-00059	Screw M5 x 8 MM .....	4
14	00-425900-00078	Nut - Tinnerman M5 .....	4
15	00-425900-00039	Drawer - Assembly (7 Spit) .....	1
16	00-425900-00154	Handle .....	1
17	00-425900-00058	Valve - Drawoff .....	1
18	00-425900-00183	Bushing - Cap (1¼") .....	1
19	00-425900-00184	Bushing - Cap (1½") .....	1
20	00-425900-00137	Plate - Power Conduits .....	1
21	00-357563	Screw - M5 x 8 MM Special .....	2
22	00-425900-00136	Bin - Spark .....	1
23	00-357563	Screw - M5 x 8 MM Special .....	2
24	00-422905-00058	Cap Nut M5 (Tension Lock) .....	2
25	00-360037	Foot .....	4
26	00-425900-00105	Plate - Mounting .....	1
27	00-357563	Screw - M5 x 8 MM Special .....	4
28	00-422905-00058	Cap Nut M5 (Tension Lock) .....	4
29	00-360143	Bushing - Snap (28 MM) .....	1
30	00-422905-00059	Screw M5 x 8 MM .....	4
31	00-425900-00078	Nut - Tinnerman M5 .....	4
32	00-425900-00224	Panel - Outer Assembly (RH) (Electronic, W/Data Plate Holes) .....	1
33	00-425900-00053	Panel - Outer Assembly (RH) (Programmable, W/Data Plate Holes) .....	1

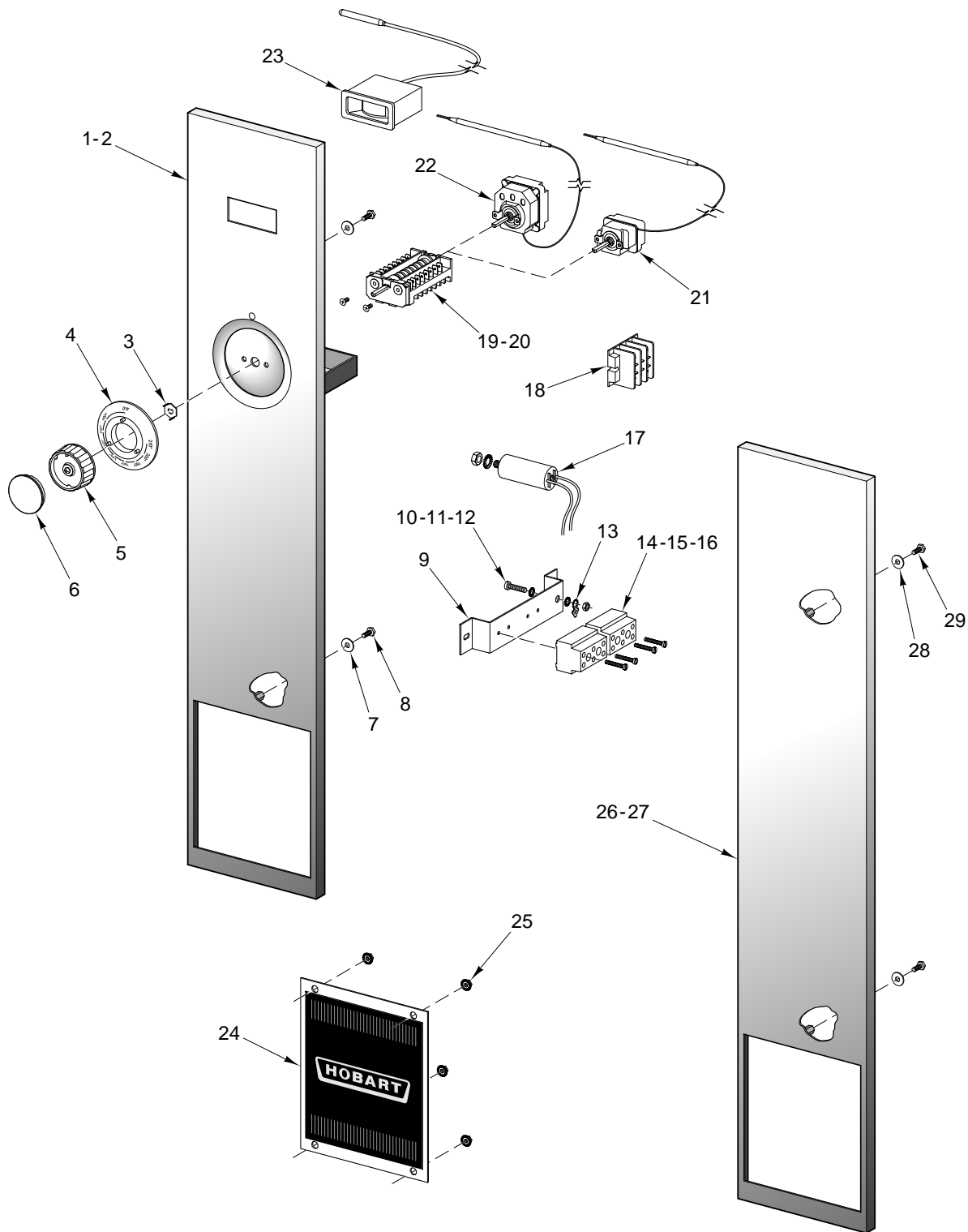


PL-53398

WARMER DOORS

## WARMER DOORS

ILLUS. PL-53398	PART NO.	NAME OF PART	AMT.
1	00-425900-00174	Glass - Outer (W/Edge Protector) (HR5)	1
2	00-425900-00173	Glass - Outer (W/Edge Protector) (HR7)	1
3	00-360128	Magnet - Door	AR
4	00-425900-00190	Screw - M5 x 45MM RD HD SST (Door Glass)	2
5	00-357553-00073	Washer M5 x 15 MM	2
6	00-425900-00120	Grip - Handle Attachment (HR5)	1
7	00-425900-00097	Grip - Handle Attachment (HR7)	1
8	00-425900-00187	Washer - 15MM OD x 7MM ID x .5MM THK	2
9	00-425900-00188	Spacer - Outer Door Glass	2
10	00-425900-00187	Washer - 15MM OD x 7MM ID x .5MM THK	2
11	00-425900-00050	Section - Magnet Assembly (HR5)	1
12	00-425900-00042	Section - Magnet Assembly (HR7)	1
13	00-425900-00132	Collar - Spacing (Handle)	2
14	00-425900-00062	Cover - Handgrip	2
15	00-425900-00131	Handle - Grip (HR5)	1
16	00-425900-00130	Handle - Grip (HR7)	1
17	00-425900-00187	Washer - 15MM OD x 7MM ID x .5MM THK	2
18	00-425900-00189	Screw - M5 x 16MM (Outer Door)	2
19	00-425900-00079	Bearing - Bush	2
20	00-425900-00035	Hinge - Assembly (Outer Door) (HR5)	1
21	00-425900-00027	Hinge - Assembly (Outer Door) (HR7)	1
22	00-425900-00253	Shim - Door (M8)	AR
23	00-425900-00188	Spacer - Outer Door Glass	2
24	00-425900-00187	Washer - 15MM OD x 7MM ID x .5MM THK	2
25	00-425900-00117	Support - Outer Hinge (HR5)	1
26	00-425900-00096	Support - Outer Hinge (HR7)	1
27	00-357553-00073	Washer M5 x 15 MM	2
28	00-425900-00204	Nut - Locking M5 SST	2
29	00-425900-00031	Hinge - Assembly (RH)	1
30	00-357553-00100	Bolt - M5 x 20MM	1
31	00-425900-00142	Retainer - Hinge Adjustable	1
32	00-422905-00058	Cap Nut M5 (Tension Lock)	2
33	00-425900-00189	Screw - M5 x 16MM (Outer Door)	2
34	00-425900-00050	Section - Magnet Assembly (HR5)	1
35	00-425900-00042	Section - Magnet Assembly (HR7)	1
36	00-425900-00187	Washer - 15MM OD x 7MM ID x .5MM THK	2
37	00-425900-00174	Glass - Outer (W/edge Protector) (HR5)	1
38	00-425900-00173	Glass - Outer (W/edge Protector) (HR7)	1
39	00-425900-00188	Spacer - Outer Door Glass	2
40	00-425900-00187	Washer - 15MM OD x 7MM ID x .5MM THK	2
41	00-425900-00120	Grip - Handle Attachment (HR5)	1
42	00-425900-00097	Grip - Handle Attachment (HR7)	1
43	00-360128	Magnet - Door	AR
44	00-357553-00073	Washer M5 x 15 MM	2
45	00-425900-00204	Nut - Locking M5 SST	2
46	00-425900-00030	Hinge - Assembly (LH)	1
47	00-425900-00142	Retainer - Hinge Adjustable	1
48	00-422905-00058	Cap Nut M5 (Tension Lock)	2
49	00-357553-00100	Bolt - M5 x 20MM	1
50	00-357553-00073	Washer M5 x 15 MM	2
51	00-425900-00117	Support - Outer Hinge (HR5)	1
52	00-425900-00096	Support - Outer Hinge (HR7)	1
53	00-425900-00204	Nut - Locking M5 SST	2
54	00-425900-00187	Washer - 15MM OD x 7MM ID x .5MM THK	2
55	00-425900-00188	Spacer - Outer Door Glass	2
56	00-425900-00187	Washer - 15MM OD x 7MM ID x .5MM THK	2
57	00-425900-00035	Hinge - Assembly (Outer Door) (HR5)	1
58	00-425900-00027	Hinge - Assembly (Outer Door) (HR7)	1
59	00-425900-00079	Bearing - Bush	2
60	00-425900-00253	Shim - Door (M8)	AR
61	00-425900-00189	Screw - M5 x 16MM (Outer Door)	2



PL-53399

WARMER CONTROL PANELS &  
ELECTRICAL COMPONENTS

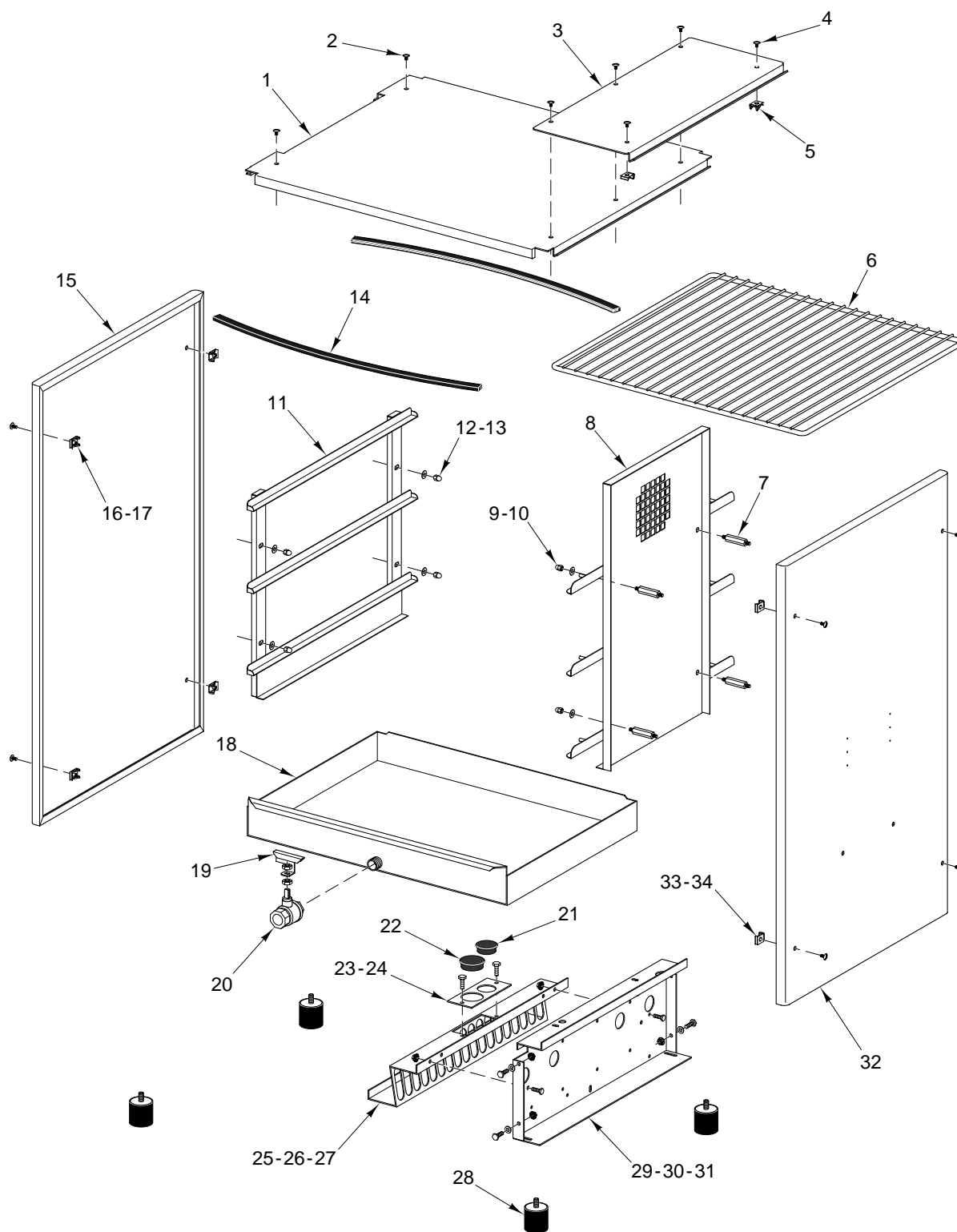
### WARMER CONTROL PANELS & ELECTRICAL COMPONENTS

ILLUS. PL-53399	PART NO.	NAME OF PART	AMT.
1	00-425900-00047	Panel - Instrument Assembly (HW5) .....	1
2	00-425900-00049	Panel - Instrument Assembly (HW7) .....	1
3	00-425900-00077	Ring - Locking Knob .....	1
4	00-425900-00074	Dial - Warmer Thermostat .....	1
5	00-425900-00071	Knob - Control .....	1
6	00-425900-00076	Cover - Knob .....	1
7	00-357553-00073	Washer M5 x 15 MM .....	2
8	00-357563	Screw - M5 x 8 MM Special .....	2
9	00-425900-00202	Bracket - Terminal Block .....	1
10	00-357553-00100	Bolt - M5 x 20MM .....	1
11	00-357553-00127	Washer - Star (M5) .....	2
12	00-357553-00056	Nut M5 .....	1
13	00-360280	Plate - Ground .....	1
14	00-358712-00001	Block - Terminal "1,2,3" .....	1
15	00-358712-00002	Block - Terminal "4,5,6" .....	1
16	00-425900-00259	Screw - M4 x 20 MM Cheese HD. ....	4
17	00-359460-00057	Capacitor 1.5 mf .....	1
18	00-356841	Block - Terminal .....	1
19	00-356878	Switch - Rotary (Warmer) .....	1
20	00-425900-00264	Screw - M4 x 6 MM Slotted Flat HD. ....	2
21	00-360034	Thermostat - Warmer (HW5) .....	1
22	00-357196	Thermostat - Warmer (HW7) .....	1
23	00-360036	Thermometer (Warmer) .....	1
24	00-425774-00005	Nameplate - Hobart .....	1
25	00-422905-00058	Cap Nut M5 (Tension Lock) .....	4
26	00-425900-00118	Panel - Assembly (Customer Side) (HW5) .....	1
27	00-425900-00104	Panel - Assembly (Customer Side) (HW7) .....	1
28	00-357553-00073	Washer M5 x 15 MM .....	2
29	00-357563	Screw - M5 x 8 MM Special .....	2
	00-425900-00182	Knob - Warmer (Thermostat Kit) (Includes items 3, 4, 5 & 6) .....	1



**WARMER HEATING & VENTING**

ILLUS. PL-53400	PART NO.	NAME OF PART	AMT.
1	00-360446	Lamp - Halotherm (200W) .....	1
2	00-360240	Holder - Lamp .....	2
3	00-425900-00129	Lamp - Bin .....	1
4	00-358521-00035	Screw M5 x 20 MM .....	2
5	00-357553-00073	Washer M5 x 15 MM .....	2
6	00-425900-00128	Plate - Lamp (Upper) .....	1
7	00-358521-00032	Nut M5 .....	3
8	00-357553-00073	Washer M5 x 15 MM .....	2
9	00-358580	Cap Nut M5 .....	2
10	00-425900-00135	Vent .....	1
11	00-359460-00025	Blower (W/Fan Blade) .....	1
12	00-425900-00257	Self - Tapping Screw M4 x 16MM Phil. Pan Hd. ....	3
13	00-422905-00108	Nut - Fan (M6) (Left Hand) .....	1
14	00-425900-00129	Lamp - Bin .....	1
15	00-358521-00035	Screw M5 x 20 MM .....	2
16	00-357553-00073	Washer M5 x 15 MM .....	2
17	00-360240	Holder - Lamp .....	2
18	00-360446	Lamp - Halotherm (200W) .....	1
19	00-425900-00128	Plate - Lamp (Upper) .....	1
20	00-358521-00032	Nut M5 .....	3
21	00-357553-00073	Washer M5 x 15 MM .....	2
22	00-358580	Cap Nut M5 .....	2
23	00-425900-00107	Plate - Bottom (HR7) .....	1
24	00-425900-00122	Plate - Bottom (HR5) .....	1
25	00-360241	Element - Warmer (220V) (2500W) (HR7) .....	2
26	00-425900-00160	Heater - Warmer (230V) (2500W) (HR5) .....	1

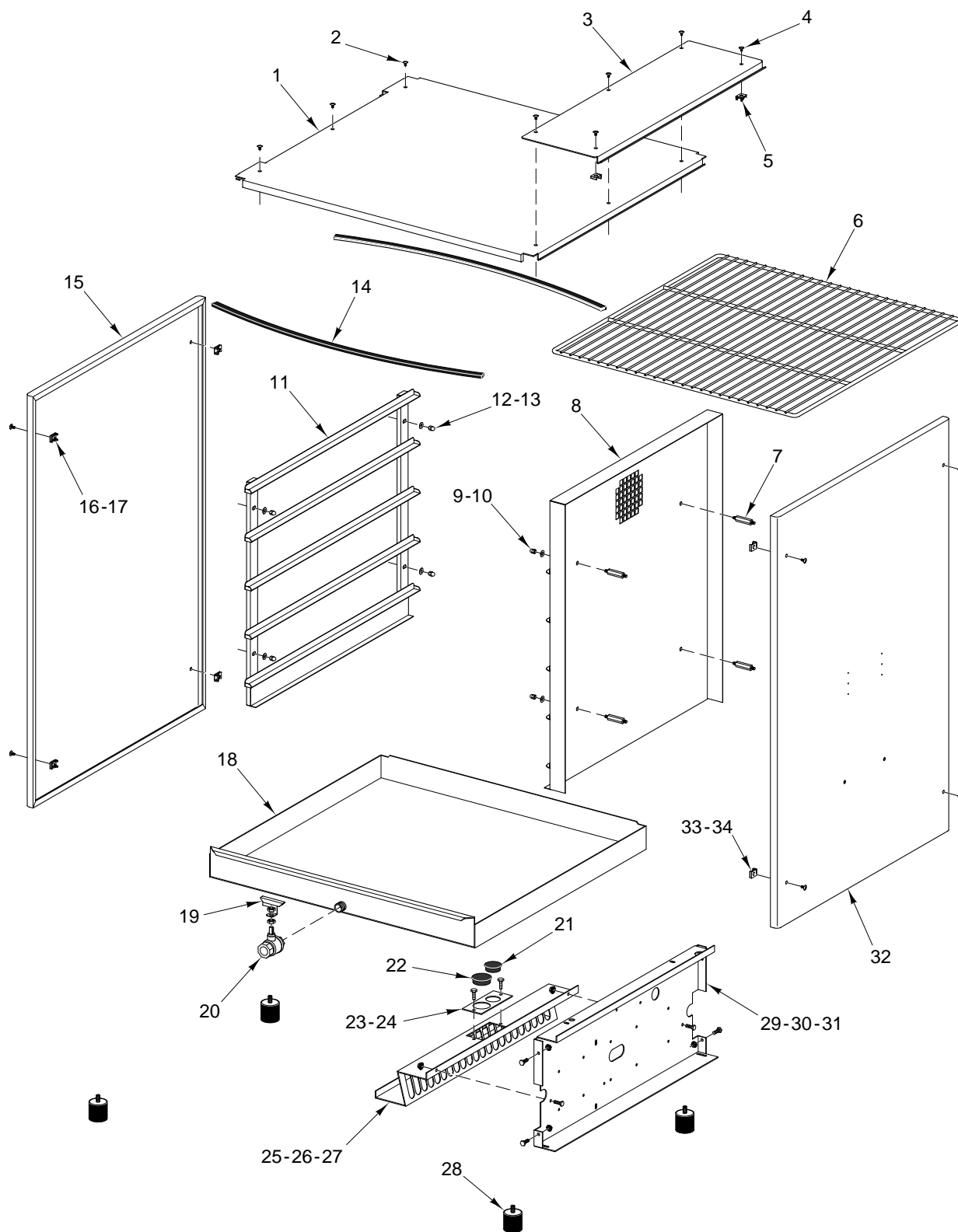


PL-53401

HW5 WARMER FRAME

**HW5 WARMER FRAME**

ILLUS. PL-53401	PART NO.	NAME OF PART	AMT.
1	00-425900-00110	Panel - Outer (Upper) .....	1
2	00-422905-00059	Screw M5 x 8 MM .....	2
3	00-425900-00111	Cover - Assembly .....	1
4	00-422905-00059	Screw M5 x 8 MM .....	5
5	00-425900-00078	Nut - Tinnerman M5 .....	2
6	00-422905-00081	Rack - Stainless Steel Wire .....	3
7	00-360136	Spacer - Fan Guard .....	4
8	00-425900-00033	Panel - Inner Fan Cover .....	1
9	00-425900-00273	Nut - M6 .....	4
10	00-425900-00152	Washer - SST M6 .....	4
11	00-425900-00034	Slide - Rack Assembly .....	1
12	00-425900-00273	Nut - M6 .....	4
13	00-425900-00152	Washer - SST M6 .....	4
14	00-425900-00205	Gasket .....	1
15	00-425900-00032	Panel - Outer Assembly .....	1
16	00-422905-00059	Screw M5 x 8 MM .....	4
17	00-425900-00078	Nut - Tinnerman M5 .....	4
18	00-425900-00045	Drawer - Assembly .....	1
19	00-425900-00154	Handle .....	1
20	00-425900-00058	Valve - Drawoff .....	1
21	00-425900-00183	Bushing - Cap (1¼") .....	1
22	00-425900-00184	Bushing - Cap (1½") .....	1
23	00-425900-00137	Plate - Power Conduits .....	1
24	00-357563	Screw - M5 x 8 MM Special .....	2
25	00-425900-00226	Bin - Spark .....	1
26	00-357563	Screw - M5 x 8 MM Special .....	2
27	00-422905-00058	Cap Nut M5 (Tension Lock) .....	2
28	00-360037	Foot .....	4
29	00-425900-00116	Plate - Mounting .....	1
30	00-357563	Screw - M5 x 8 MM Special .....	4
31	00-422905-00058	Cap Nut M5 (Tension Lock) .....	4
32	00-425900-00223	Panel - Outer Assembly (RH) (W/Data Plate Holes) .....	1
33	00-422905-00059	Screw M5 x 8 MM .....	4
34	00-425900-00078	Nut - Tinnerman M5 .....	4

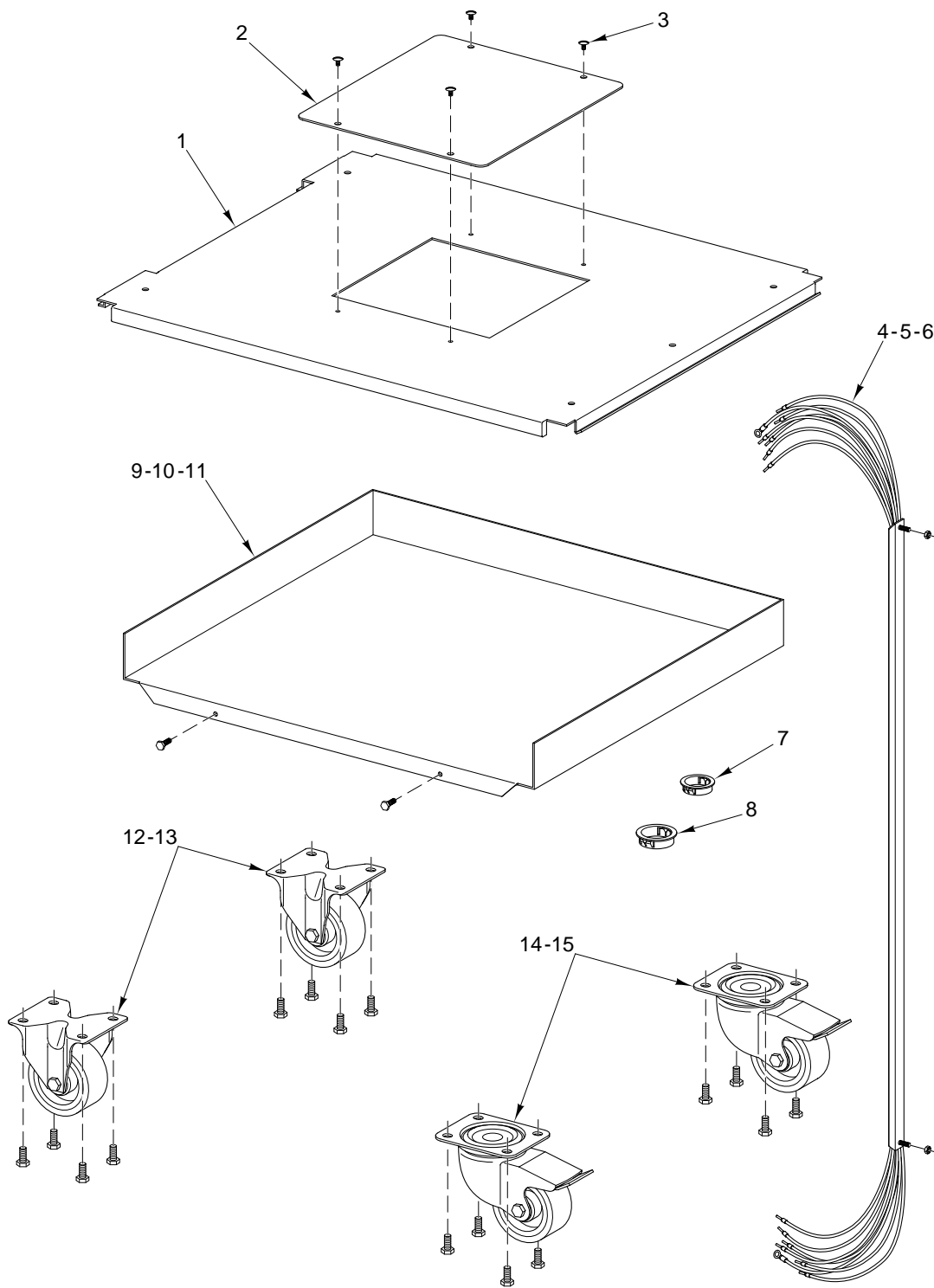


PL-53402

HW7 WARMER FRAME

## HW7 WARMER FRAME

ILLUS. PL-53402	PART NO.	NAME OF PART	AMT.
1	00-425900-00108	Panel - Upper (Outer) .....	1
2	00-422905-00059	Screw M5 x 8 MM .....	3
3	00-425900-00094	Cover - Assembly .....	1
4	00-422905-00059	Screw M5 x 8 MM .....	5
5	00-425900-00078	Nut - Tinnerman M5 .....	2
6	00-356929	Rack - Stainless Steel Wire .....	3
7	00-360136	Spacer - Fan Guard .....	4
8	00-425900-00025	Cover - Plate (Fan Assembly) .....	1
9	00-425900-00273	Nut - M6 .....	4
10	00-425900-00152	Washer - SST M6 .....	4
11	00-425900-00034	Slide - Rack Assembly .....	1
12	00-425900-00273	Nut - M6 .....	4
13	00-425900-00152	Washer - SST M6 .....	4
14	00-425900-00205	Gasket .....	1
15	00-425900-00032	Panel - Outer Assembly .....	1
16	00-422905-00059	Screw M5 x 8 MM .....	4
17	00-425900-00078	Nut - Tinnerman M5 .....	4
18	00-425900-00045	Drawer - Assembly .....	1
19	00-425900-00154	Handle .....	1
20	00-425900-00058	Valve - Drawoff .....	1
21	00-425900-00183	Bushing - Cap (1 1/4") .....	1
22	00-425900-00184	Bushing - Cap (1 1/2") .....	1
23	00-425900-00137	Plate - Power Conduits .....	1
24	00-357563	Screw - M5 x 8 MM Special .....	2
25	00-425900-00226	Bin - Spark .....	1
26	00-357563	Screw - M5 x 8 MM Special .....	2
27	00-422905-00058	Cap Nut M5 (Tension Lock) .....	2
28	00-360037	Foot .....	4
29	00-425900-00116	Plate - Mounting .....	1
30	00-357563	Screw - M5 x 8 MM Special .....	4
31	00-422905-00058	Cap Nut M5 (Tension Lock) .....	4
32	00-425900-00223	Panel - Outer Assembly (RH) (W/Data Plate Holes) .....	1
33	00-422905-00059	Screw M5 x 8 MM .....	4
34	00-425900-00078	Nut - Tinnerman M5 .....	4

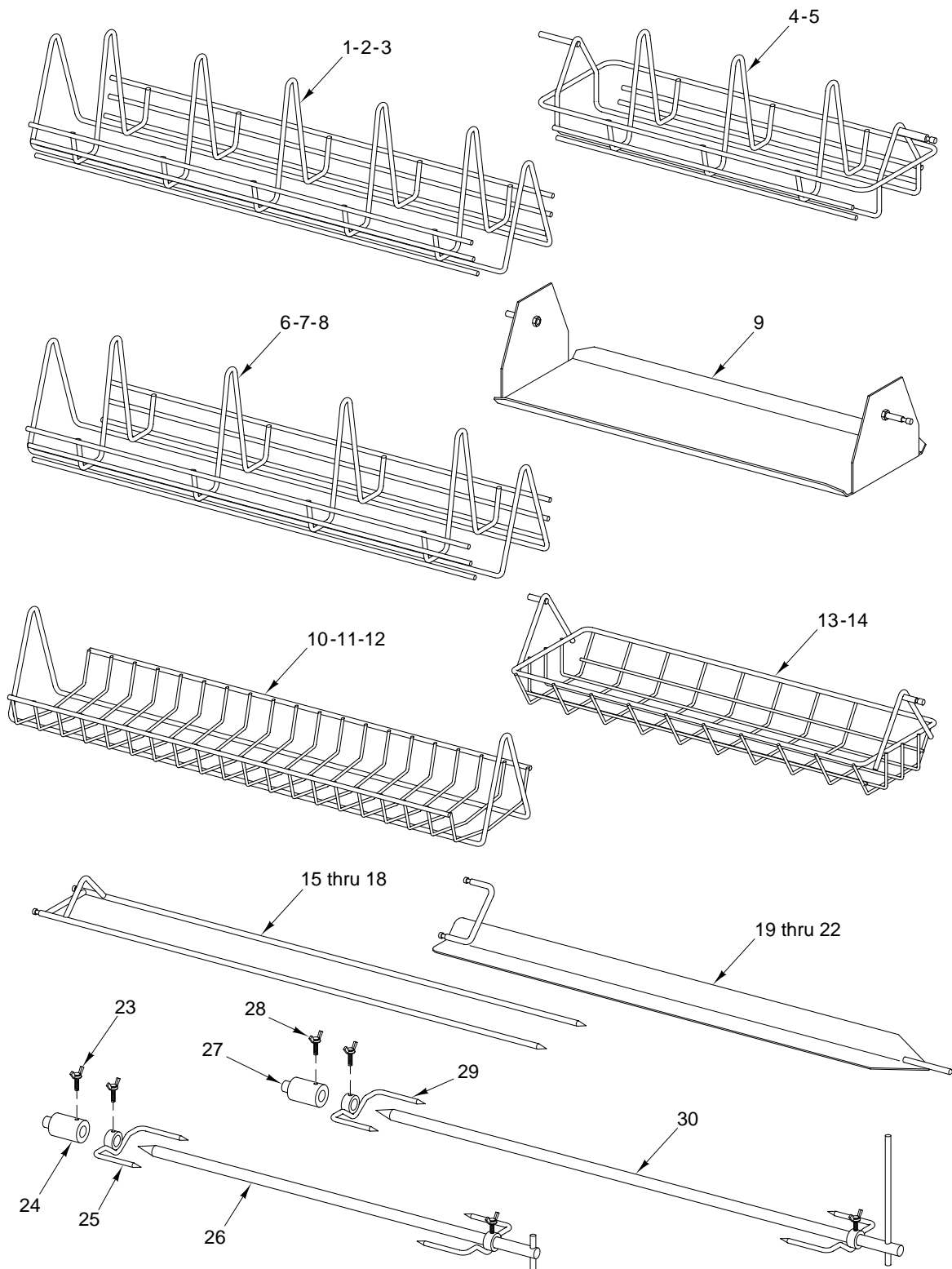


PL-53403

**STACKING KIT**

**STACKING KIT**

ILLUS. PL-53403	PART NO.	NAME OF PART	AMT.
1	00-425900-00234	Top - Bottom Oven (Dual Stack Ovens) (HR5) .....	1
2	00-425900-00235	Cover - Top (Bottom Oven) (HR5) .....	1
3	00-422905-00059	Screw - M5 x 8MM (HR5) .....	4
4	00-425900-00159	Guide - Wire Assembly (Stacking) (HR5) .....	1
5	00-425900-00158	Guide - Wire Assembly (Stacking) (HR7) .....	1
6	00-358521-00032	Nut M5 .....	2
7	00-425900-00164	Bushing - Snap 1-1/4" (32MM) .....	1
8	00-425900-00163	Bushing - Snap 1-1/2" (38MM) .....	1
9	00-425900-00169	Protector - Fat (HR5) .....	1
10	00-425900-00170	Protector - Fat (HR7) .....	1
11	00-425900-00166	Bolt - M5 x 16MM .....	2
12	00-425900-00221	Caster - Rigid .....	1
13	00-425900-00165	Bolt - M8 x 16 MM .....	8
14	00-425900-00087	Caster - w/Brake .....	1
15	00-425900-00165	Bolt - M8 x 16 MM .....	8
	00-515194-00002	Sealer .....	1
	00-425900-00233	Top - Assy (Bottom Oven) (Dual Stack Ovens) (HR5) (Incls. items 1, 2 & 3) .....	1
	0F-024860	Instructions - Stacking Kit .....	1



PL-53404

ACCESSORIES

**ACCESSORIES**

ILLUS. PL-53404	PART NO.	NAME OF PART	AMT.
1	00-425900-00277	Rack - Chicken (W/O Pins) (5 Position) (HR7) .....	1
2	00-425900-00238	Rack - Chicken (W/O Pins) (5 Position) (Coated) (HR7) .....	1
3	00-425900-00008	Rack - Chicken (W/Pins) (5 Position) (HR7) .....	1
4	00-425900-00199	Rack - Chicken (3 Position) (HR5) .....	1
5	00-425900-00243	Rack - Chicken (3 Position) (Coated) (HR5) .....	1
6	00-425900-00278	Rack - Chicken (W/O Pins) (4 Position) (HR7) .....	1
7	00-425900-00239	Rack - Chicken (W/O Pins) (4 Position) (Coated) (HR7) .....	1
8	00-425900-00178	Rack - Chicken (W/Pins) (4 Position) (HR7) .....	1
9	00-360278	Plate - Baking (HR5) .....	1
10	00-425900-00276	Basket - Meat (W/O Pins) (HR7) .....	1
11	00-425900-00237	Basket - Meat (W/O Pins) (Coated) (HR7) .....	1
12	00-425900-00009	Basket - Meat (W/Pins) (HR7) .....	1
13	00-360277	Basket - Meat (HR5) .....	1
14	00-425900-00242	Basket - Meat (Coated) (HR5) .....	1
15	00-360152	Fork - Meat (HR5) .....	5
16	00-425900-00254	Fork - Meat (Coated) (HR5) .....	5
17	00-360235	Fork - Meat (HR7) .....	7
18	00-425900-00251	Fork - Meat (Coated) (HR7) .....	7
19	00-359579	Spit - V (HR5) .....	1
20	00-425900-00241	Spit - V (Coated) (HR5) .....	1
21	00-359580	Spit - V (HR7) .....	1
22	00-425900-00236	Spit - V (Coated) (HR7) .....	1
23	00-360297	Screw - Wing M5 .....	AR
24	00-360298	Sleeve - Spit (HR5) .....	1
25	00-360299	Fork - Spit (HR5) .....	2
26	00-360300	Shaft - Spit (HR5) .....	1
27	00-360386	Sleeve - Spit (HR7) .....	1
28	00-360297	Screw - Wing M5 .....	AR
29	00-360387	Fork - Spit (HR7) .....	2
30	00-425900-00255	Shaft - Spit (HR7) .....	1
	00-360279	Spit - Turkey Assembly (HR5) (Incls. items 23, 24, 25 & 26) .....	1
	00-425774-00032	Spit - Turkey Assembly (HR7) (Incls. items 27, 28, 29 & 30) .....	1
	00-357553-00158	Saltshaker .....	1
	00-357553-00159	Gloves (set of 2) .....	1





