



CATALOG OF REPLACEMENT PARTS

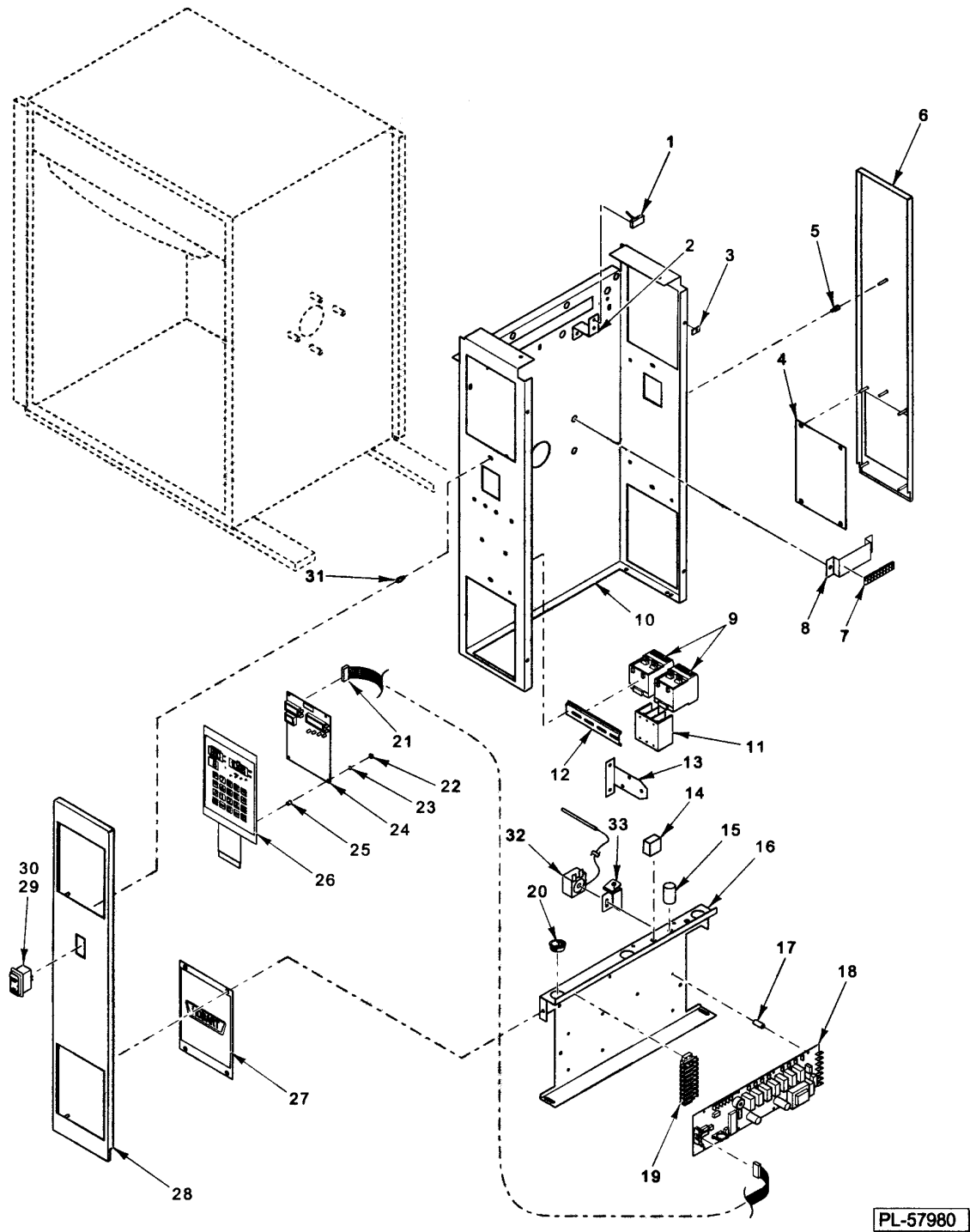
HR5E Rotisserie Ovens

ML-132096

ML-132097

Table of Contents

5	CONTROLS AND COMPONENTS
7	OVEN FRAME AND PANELS
9	OVEN DOORS
11	HEATING AND VENTING
13	ROTISSERIE AND DRIVE MOTOR
15	ACCESSORIES

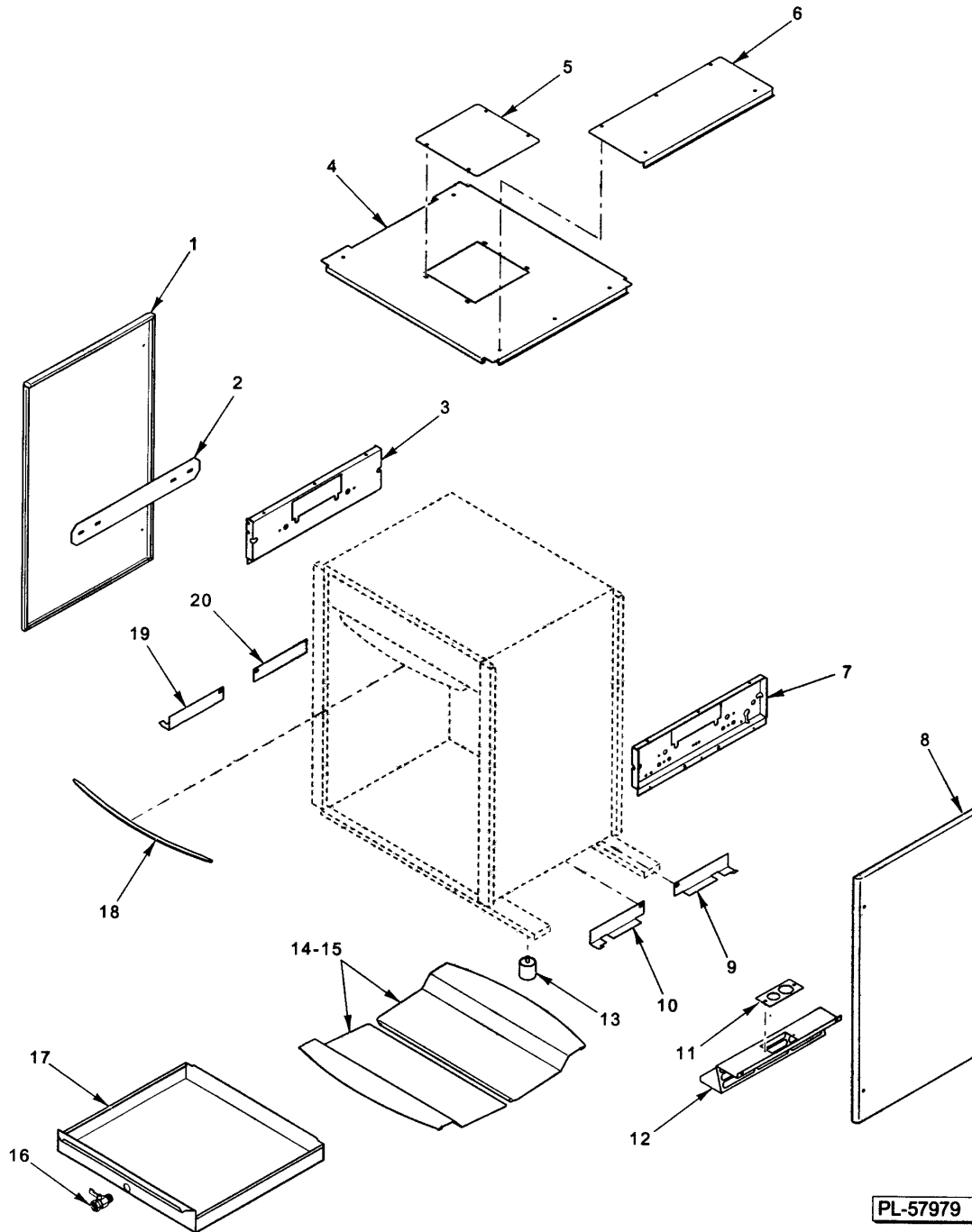


CONTROLS AND COMPONENTS

CONTROLS AND COMPONENTS

CONTROLS AND COMPONENTS

ILLUS. PL-57980	PART NO.	NAME OF PART	AMT.
1	00-356946	Sensor - Temperature.....	1
2	00-891216	Bracket - Temperature Probe.....	1
3	00-877868	Nut - Tinnerman.....	AR
4	00-891067	Panel Assy. (Incls. Logo).....	1
5	00-047939	Standoff.....	AR
6	00-891120	Panel - Instrument Assy. (Customer Side).....	1
7	00-877950	Block - Terminal (9-Position).....	1
8	00-877944	Bracket - Terminal Block.....	1
9	00-877888	Contactora (3-Pole).....	2
10	00-891114	Box - Electrical.....	1
11	00-877916	Block - Power (3-Pole).....	1
12	00-877889	Din Rail.....	1
13	00-891215	Bracket - Terminal.....	1
14	00-877887	Capacitor (2.3 uf) (Rotor Motor).....	1
15	00-877885	Capacitor (1.5 uf) (Blower Motor).....	1
16	00-891154	Plate - Mounting.....	1
17	00-877989	Support - Dual Locking (PCB).....	6
18	00-877881	Controller (CPU).....	1
19	00-877917-00002	Block - Terminal (7-Position).....	1
20	FE-024-75	Bushing - Electrical.....	3
21	00-877884	Cable - Ribbon.....	1
22	NS-011-07	Nut 6-32 Hex (SST).....	4
23	WL-013-05	Lockwasher #6 Internal.....	4
24	00-877882	Board - Display.....	1
25	00-877966	Standoff.....	4
26	00-891066	Keypad Assy. - Membrane.....	1
27	00-891067	Panel Assy. (Incls. Logo).....	1
28	00-891119	Panel - Instrument Assy. (Front).....	1
29	00-877913-00001	Switch - Power.....	1
30	00-877913-00002	Bezel - Power Switch.....	1
31	00-047939	Standoff.....	AR
32	00-360145	Thermostat (High Limit).....	1
33	00-891230	Bracket (High Limit).....	1
	00-042287	Clamp - Cable.....	1
	00-891213	Harness - CPU.....	1
	00-891210	Harness - Display Panel.....	1
	FE-022-43	Bushing - Electrical.....	2
	FE-024-75	Bushing - Electrical.....	2
	00-891067	Panel Assy. - Logo (Incls. Items 4, 5, & 27).....	1

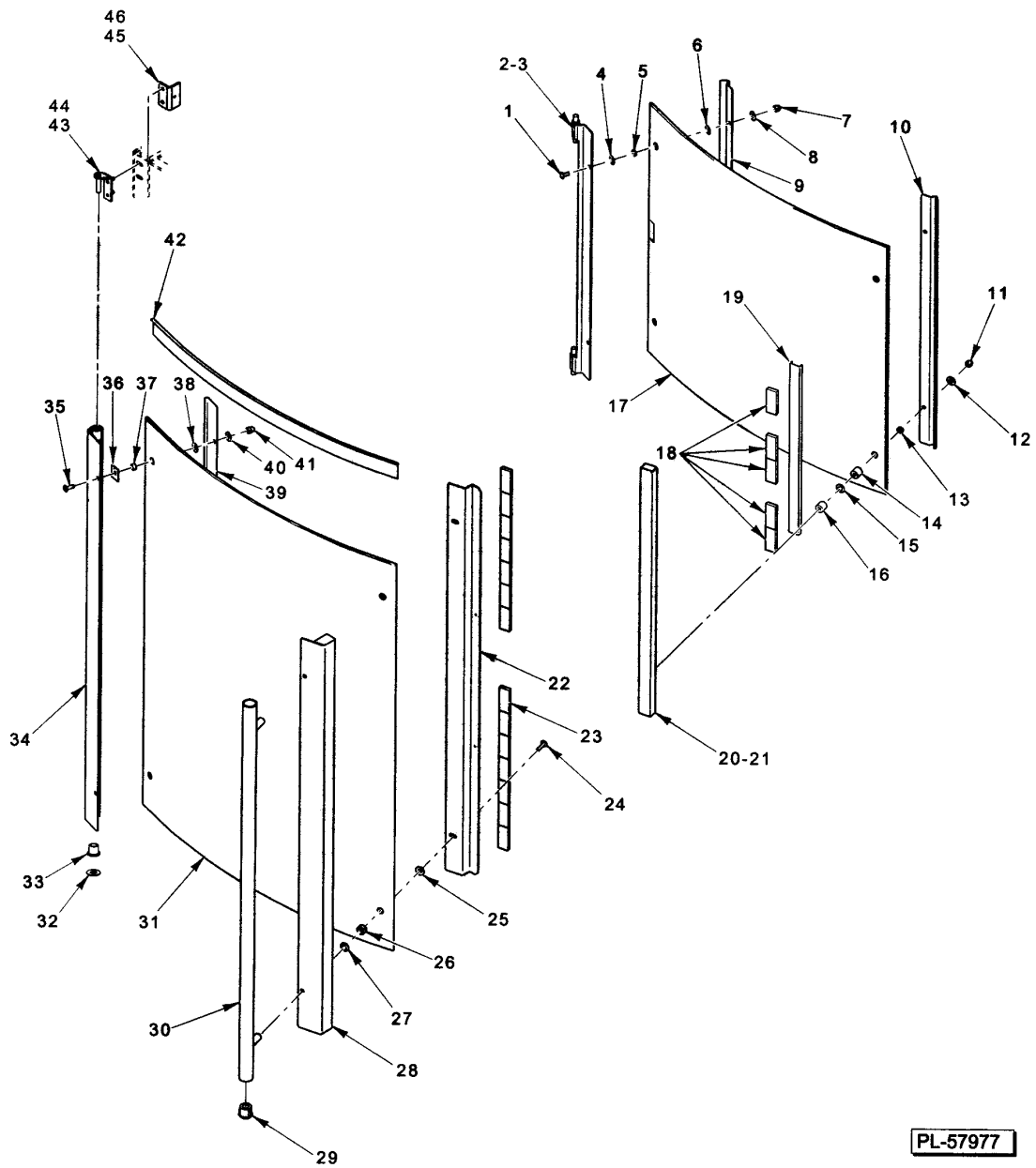


OVEN FRAME AND PANELS

OVEN FRAME AND PANELS

OVEN FRAME AND PANELS

ILLUS.	PART NO.	NAME OF PART	AMT.
PL-57979			
1	00-891164	Panel - Outer (LH).....	1
2	00-877905	Retainer - Insulation.....	1
3	00-891151	Plate - Upper Support.....	1
4	00-891109	Panel - Outer (Top).....	1
5	00-891110	Cover - Vent Hatch.....	1
6	00-891160	Cover - Electrical.....	1
7	00-891140	Plate - Upper Support.....	1
8	00-891164	Panel - Outer (RH).....	1
9	00-891163	Guard - Lower Left.....	1
10	00-891162	Guard - Lower Right.....	1
11	00-425900-00137	Plate - Power Conduits.....	1
12	00-891155	Bin - Spark.....	1
13	00-877807	Foot (Rubber).....	4
14	00-891161-00001	Shield - Drip (Bottom) (SST).....	2
15	00-891161-00002	Shield - Drip (Bottom) (Coated).....	2
16	00-891212	Valve - Drain.....	1
17	00-891121	Pan - Drain Assy.....	1
18	00-425900-00205	Gasket.....	1
19	00-891163	Guard - Lower Left.....	1
20	00-891162	Guard - Lower Right.....	1
	00-891222	Pan - Drain Assy.....	1



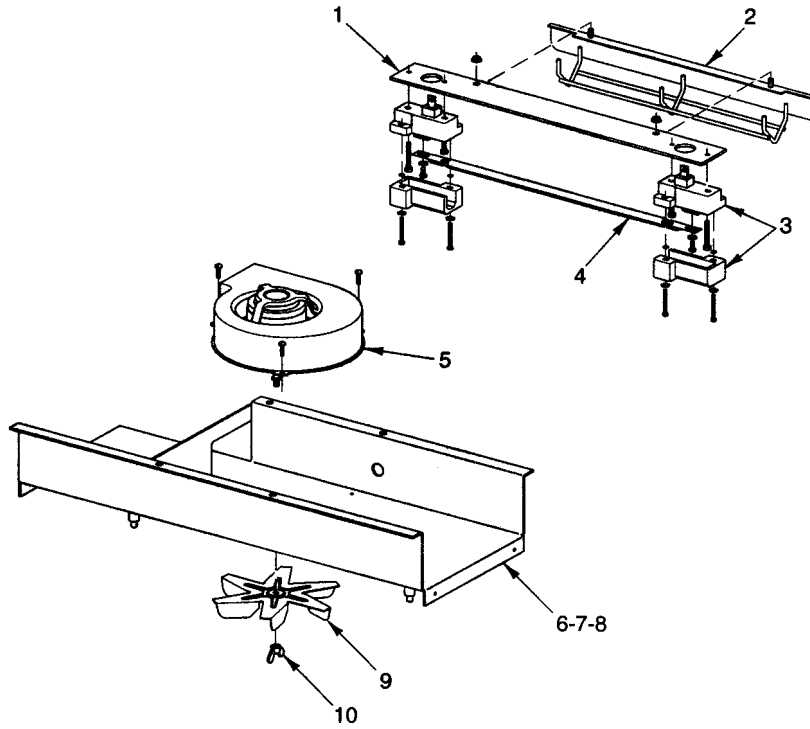
PL-57977

OVEN DOORS

OVEN DOORS

OVEN DOORS

ILLUS.	PART NO.	NAME OF PART	AMT.
PL-57977			
1	SC-066-06	Mach. Screw 10-24 x 1/2 Phil. Truss Hd. (SST).....	2
2	00-891141	Hinge Assy. (Inner Door).....	1
3	00-891142	Hinge - Door (Inner).....	2
4	00-425900-00187	Washer.....	2
5	00-425900-00192	Spacer - Back Glass.....	2
6	00-425900-00187	Washer.....	2
7	NS-025-01	Crown Nut 10-24 (SST).....	2
8	WS-019-20	Washer.....	2
9	00-891143	Support - Back Hinge.....	1
10	00-891143	Support - Back Hinge.....	1
11	NS-025-01	Crown Nut 10-24 (SST).....	2
12	WS-019-20	Washer.....	2
13	00-425900-00187	Washer.....	2
14	00-425900-00192	Spacer - Back Glass.....	2
15	00-425900-00187	Washer.....	2
16	00-425900-00191	Spacer - Magnet Holder.....	2
17	00-891148	Inner Door Glass Assy.(Front/Rear)(Incls. Items 1 thru 8, 11 thru 16, 18, 19, & 20)	1
18	00-360128	Magnet - Door.....	7
19	00-891146	Section - Magnet Filler.....	1
20	00-891144	Holder - Magnet Assy.....	1
21	00-891145	Holder - Magnet.....	1
22	00-891136	Grip - Handle Attachment.....	1
23	00-360128	Magnet - Door.....	10
24	SC-118-22	Mach. Screw 10-24 x 5/8 Phil. Truss Hd.....	2
25	00-425900-00187	Washer.....	2
26	00-425900-00188	Spacer - Front Glass.....	2
27	00-425900-00187	Washer.....	2
28	00-891134	Section - Magnet Assy.....	1
29	00-474831	Plug - Handle.....	2
30	00-891137	Handle Assy. (Incls. Item 27).....	1
31	00-891149	Outer Door Glass Assy.(Front/Rear)(Incls. Items 23 thru 27, 36, 37, 38, & 42).....	1
32	WS-005-42	Washer.....	AR
33	00-877953	Bearing - Bushing.....	AR
34	00-891129	Hinge - Weldment (Incls. Item 33).....	1
35	SC-118-22	Mach. Screw 10-24 x 5/8 Phil. Truss Hd.....	2
36		Tape - Foam (Item only available in assembly.).....	AR
37	00-425900-00188	Spacer - Front Glass.....	2
38	00-425900-00187	Washer.....	2
39	00-891132	Support - Front Hinge.....	1
40	WS-019-20	Washer.....	2
41	NS-046-28	Crown Nut 10-24 (SST).....	2
42		Protection - Edge (Item only available in assembly.).....	2
43	00-877964	Hinge Assy. (For Door with Hinges on Left Side).....	1
44	00-877963	Hinge Assy. (For Door with Hinges on Right Side).....	1
45	00-425900-00142	Retainer - Hinge (Adjustable).....	1
46	SC-110-13	Mach. Screw 10-32 x 5/8 Phil. Rd. Hd.....	1



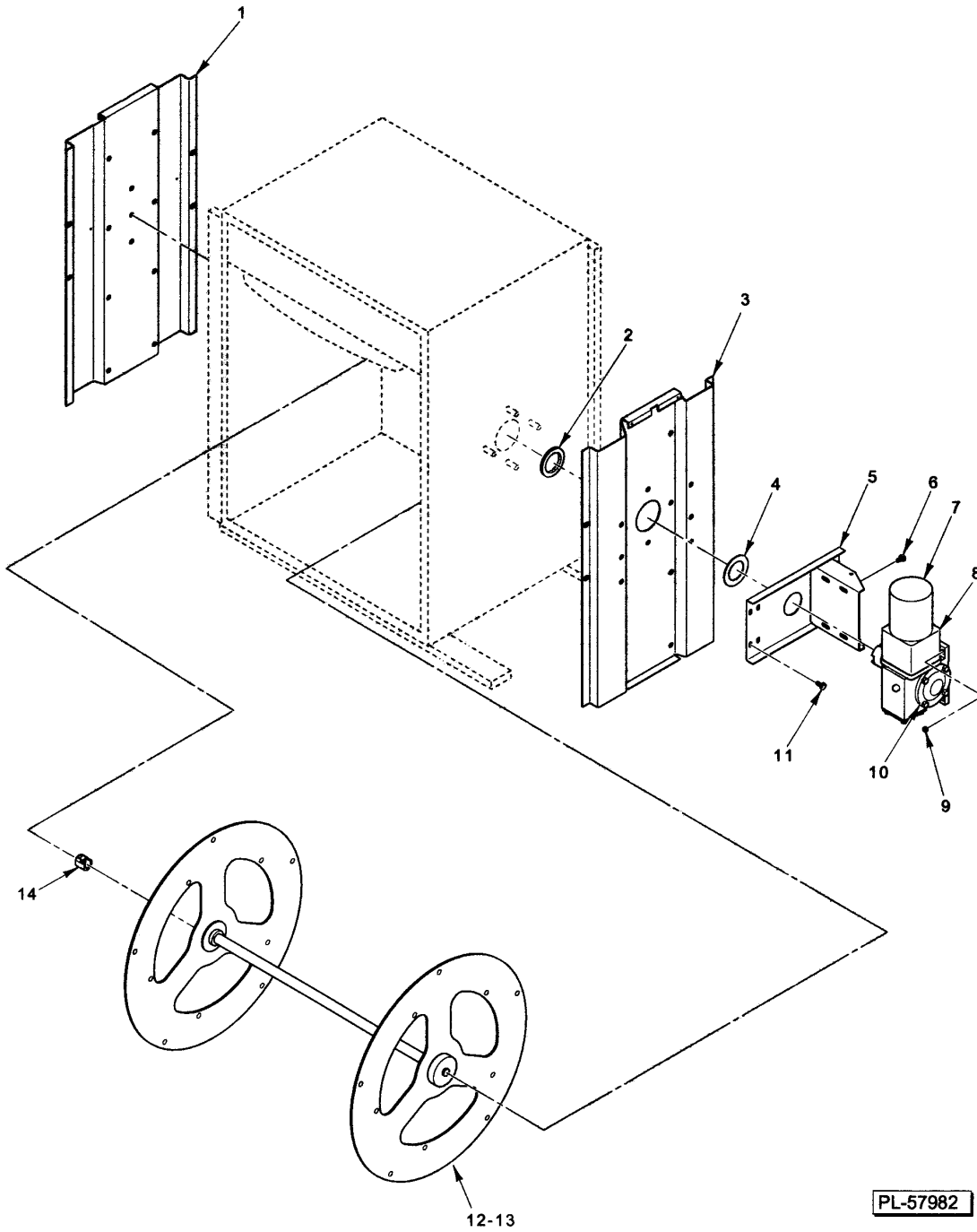
PL-57981

HEATING AND VENTING

HEATING AND VENTING

HEATING AND VENTING

ILLUS.	PART NO.	NAME OF PART	AMT.
PL-57981			
1	00-359460-00066	Strip - Lamp Holder Mounting.....	1
2	00-891065	Kit - Lamp Guard Assy.....	2
3	00-891075	Holder - Quartz Lamp Cap & Base.....	4
4	00-360155	Lamp - Quartz.....	2
5	00-425900-00167	Fan - Motor & Blade Assy.....	1
6	00-891152	Vent - Chassis Assy.....	1
7	00-891156	Plate - Ventilating Assy.....	1
8	00-891153	Bracket - Fan Mounting.....	1
9	00-422905-00008	Fan Blade.....	1
10	00-422905-00108	Nut (LH Thread).....	1
	00-422905-00009	Heater Assy. (208 V., 2000 W).....	2
	00-422905-00010	Heater Assy. (240 V., 2000 W).....	2



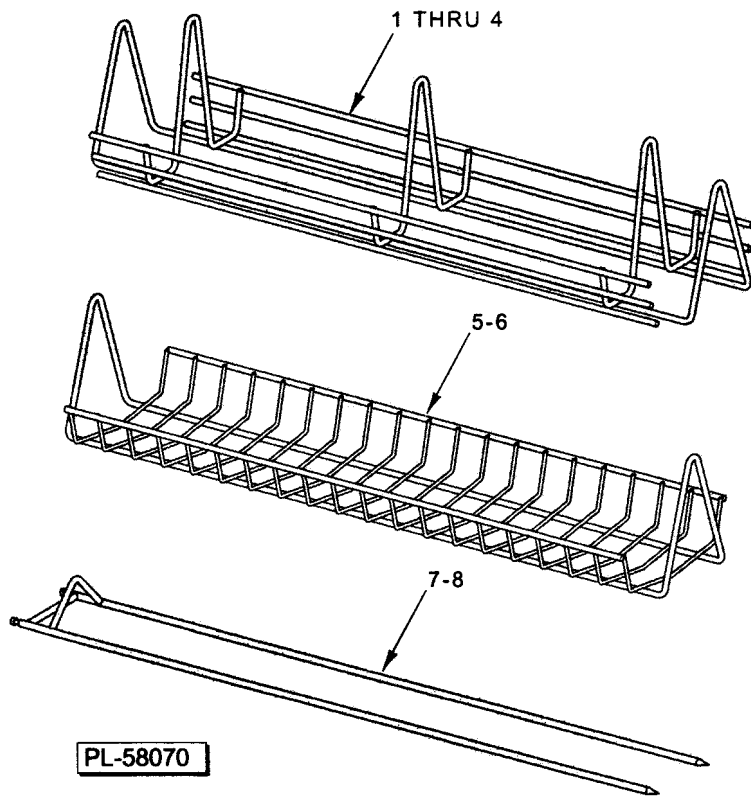
PL-57982

ROTISSERIE AND DRIVE MOTOR

ROTISSERIE AND DRIVE MOTOR

ROTISSERIE AND DRIVE MOTOR

ILLUS.	PART NO.	NAME OF PART	AMT.
PL-57982			
1	00-891116	Plate - Support (Pivot Side).....	1
2	00-877941	Seal - Ring.....	1
3	00-891115	Plate - Support (Motor Side).....	1
4	00-359460-00049	Seal - Outside Motor Shaft.....	1
5	00-877920	Bracket - Motor Assy.....	1
6	SC-117-91	Cap Screw 1/4-20 x 1 Hex Hd.....	4
7	00-891061	Motor - Drive (W/Cap) (Incls. Mounting Screws).....	1
8	00-891060	Reducer - Gear Speed.....	1
9	NS-038-04	Lock Nut 1/4-20 Hex.....	4
10	00-891105	Hub - Gearbox Box Drive.....	1
11	SC-121-61	Mach. Screw 1/4-20 x 5/8 Hex Washer Hd.....	4
12	00-891167-00001	Disc - Rotor Assy. (SST).....	2
13	00-891167-00002	Disc - Rotor Assy. (Coated).....	2
14	00-891220	Support - Bearing.....	1
	00-891104	Drive Motor Assy. (Incls. Items 7, 8, & 10).....	1
	SC-062-59	Screw - Mach. 5/16 - 18 X 5/8 (Used with Item 14).....	1
	WL-008-22	Lockwasher 5/16 Internal (Used with Item 14).....	1



ACCESSORIES

ACCESSORIES

ACCESSORIES

ILLUS.	PART NO.	NAME OF PART	AMT.
PL-58070			
1	00-425900-00243	Rack - Chicken (W/O Pins) (3 Position) (Coated).....	1
2	00-425900-00199	Rack - Chicken (W/O Pins) (3 Position).....	1
3	00-425774-00013	Rack - Chicken (W/O Pins) (3 Position).....	1
4	00-425774-00024	Rack - Chicken (W/O Pins) (3 Position) (Coated).....	1
5	00-360277	Basket - Meat (W/O Pins).....	1
6	00-425900-00242	Basket - Meat (W/O Pins) (Coated).....	1
7	00-360152-00003	Fork - Meat (Set of 5).....	1
8	00-425774-00031	Fork - Meat (Coated) (Set of 5).....	1
	00-359548-00005	Spit - V (Set of 5).....	1
	00-425900-00241	Spit - V Single Short (Coated).....	5
	00-425774-00023	Basket (Set of 5) (Coated).....	1
	00-891223	Switch - Foot.....	1

