



CATALOG OF REPLACEMENT PARTS

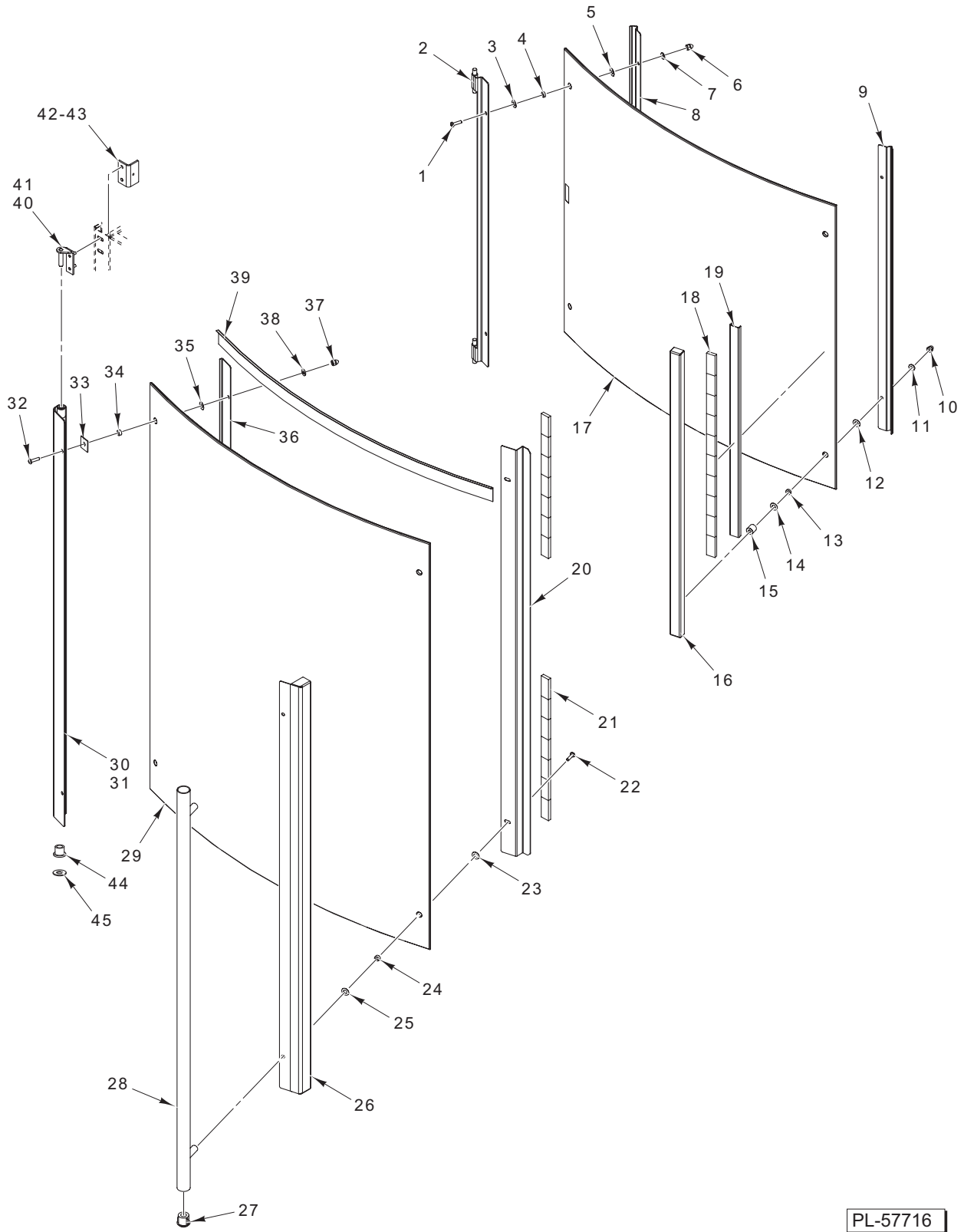
HR7E ROTISSERIE OVENS



ML-132092
ML-132093
ML-132094
ML-132095

Table of Contents

5	OVEN DOORS
7	STEEL OVEN BACK (ML-132094 & ML-132095)
9	OVEN FRAME AND PANELS
11	CONTROLS AND COMPONENTS
13	HEATING AND VENTING
15	ROTISSERIE AND DRIVE MOTOR
17	STACKING KIT
19	ACCESSORIES



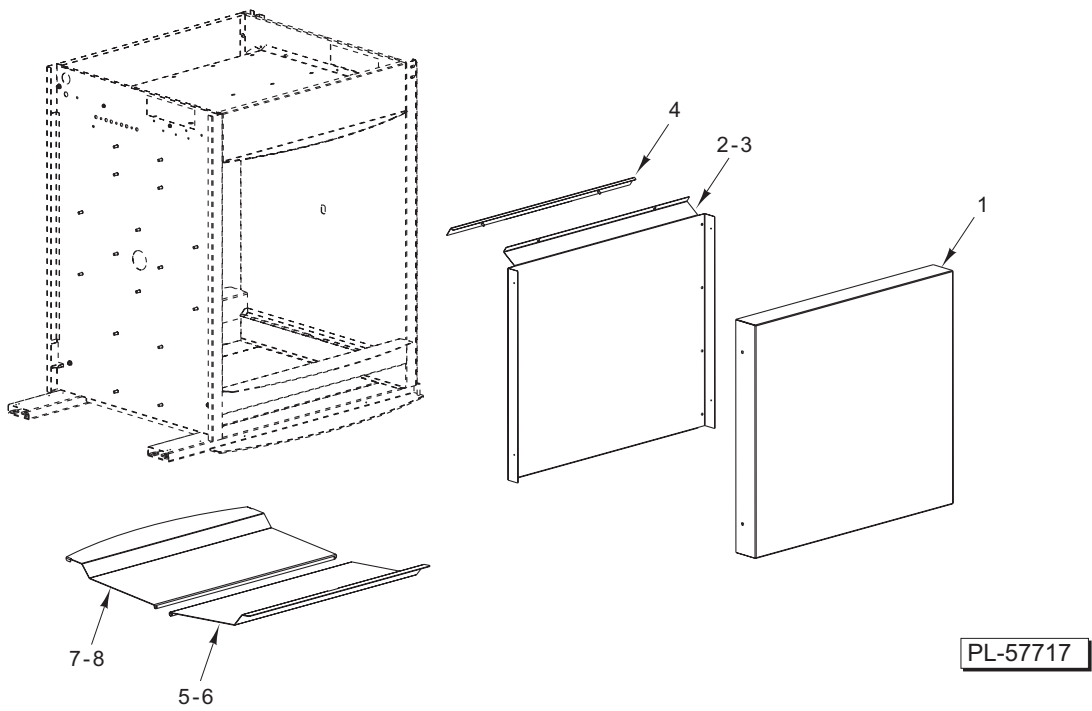
PL-57716

OVEN DOORS

OVEN DOORS

ILLUS.	PART NO.	NAME OF PART	AMT.
PL-57716			
1	SC-118-22	Mach. Screw 10-24 x 5/8 Phil. Truss Hd.	2
2	00-425900-00028	Hinge Assy. (Inner Door)	1
3	00-425900-00187	Washer	2
4	00-425900-00192	Spacer – Inner Glass	2
5	00-425900-00187	Washer	2
6	NS-025-01	Crown Nut 10-24 (SST)	2
7	WS-019-20	Washer	2
8	00-877954	Support – Inner Hinge	1
9	00-877954	Support – Inner Hinge	1
10	NS-025-01	Crown Nut 10-24 (SST)	2
11	WS-019-20	Washer	2
12	00-425900-00187	Washer	2
13	00-425900-00192	Spacer – Inner Glass	2
14	00-425900-00187	Washer	2
15	00-425900-00191	Spacer – Magnet Holder	2
16	00-425900-00098	Holder – Magnet Assy.	1
17	00-891068	Kit – Inner Door Glass	1
18	00-360128	Magnet – Door	10
19	00-425900-00099	Section – Magnet Filler	1
20	00-877967	Grip – Handle Attachment	1
21	00-360128	Magnet – Door	14
22	SC-118-22	Mach. Screw 10-24 x 5/8 Phil. Truss Hd.	2
23	00-425900-00187	Washer	2
24	00-425900-00188	Spacer – Outer Glass	2
25	00-425900-00187	Washer	2
26	00-425900-00042	Section – Magnet Assy.	1
27	00-474831	Plug – Handle	2
28	00-877862	Handle Assy. (Incls. Item 27)	1
29	00-891064	Kit – Outer Door Assy. (Incls. Items 32 thru 39)	1
30	00-425900-00027	Hinge Assy.	1
31	00-877808	Hinge Assy. (Rear) (Outer Door)	1
32	SC-118-22	Mach. Screw 10-24 x 5/8 Phil. Truss Hd.	2
*33	-	Tape – Foam	AR
34	00-425900-00188	Spacer – Outer Glass	2
35	00-425900-00187	Washer	2
36	00-425900-00096	Support – Outer Hinge	1
37	NS-025-01	Crown Nut 10-24 (SST)	2
38	WS-019-20	Washer	2
*39	-	Protection – Edge	2
40	00-877964	Hinge Assy. (RH)	1
41	00-877963	Hinge Assy. (LH)	1
42	00-425900-00142	Retainer – Hinge (Adjustable)	1
43	SC-110-13	Mach. Screw 10-32 x 5/8 Phil. Rd. Hd.	1
44	00-877953	Bearing – Bushing	AR
45	WS-005-42	Washer	AR

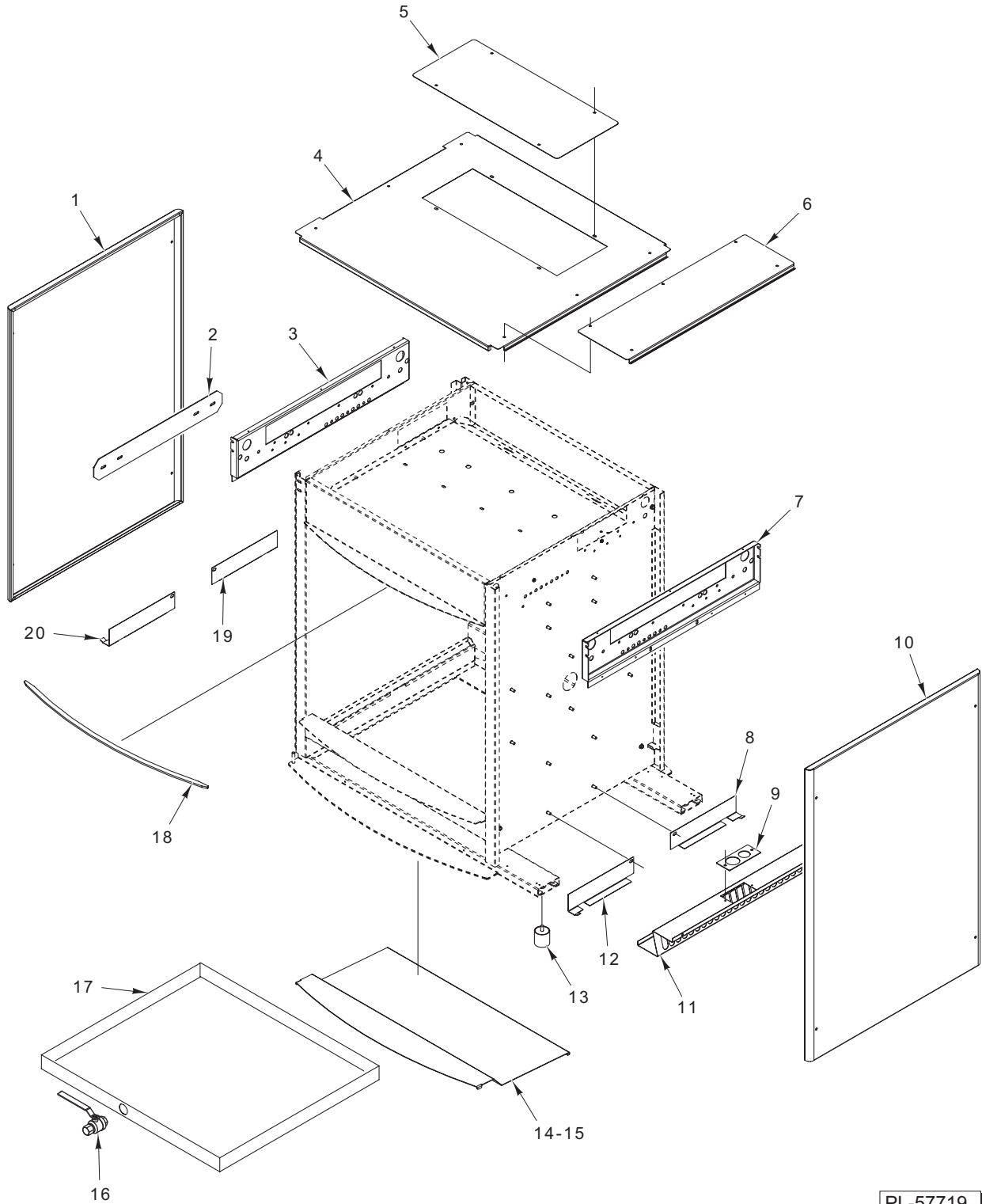
* No Service Part Available, Included In Kit 00-891064.



STEEL OVEN BACK (ML-132094 & ML-132095)

STEEL OVEN BACK (ML-132094 & ML-132095)

ILLUS.	PART NO.	NAME OF PART	AMT.
PL-57717			
1	00-877922	Cover Assy. (SST)	1
2	00-877912-00001	Panel – Inside (SST)	1
3	00-877912-00002	Panel – Inside (Coated)	1
4	00-877911	Panel – Spacer Assy.	1
5	00-877915-00001	Shield – Drip (Back) (SST)	1
6	00-877915-00002	Shield – Drip (Back) (Coated)	1
7	00-877947-00001	Shield – Drip (SST)	1
8	00-877947-00002	Shield – Drip (Coated)	1

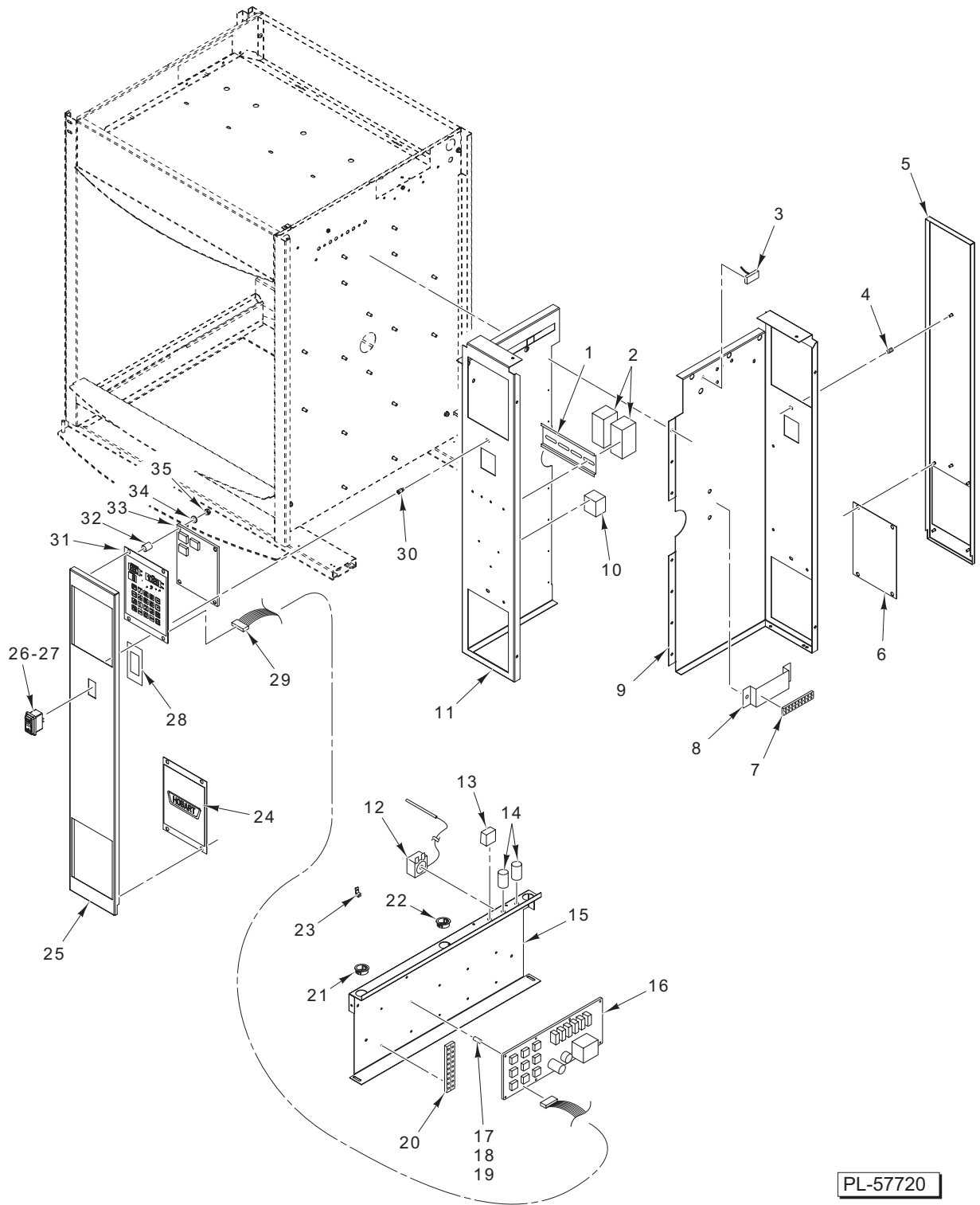


PL-57719

OVEN FRAME AND PANELS

OVEN FRAME AND PANELS

ILLUS. PL-57719	PART NO.	NAME OF PART	AMT.
1	00-425900-00026	Panel – Outer (LH)	1
2	00-877905	Retainer - Insulation	1
3	00-877796	Plate – Upper Support	1
4	00-425900-00093	Panel – Outer (Top)	1
5	00-425900-00125	Cover – Vent Hatch	1
6	00-425900-00094	Cover – Electrical	1
7	00-877796	Plate – Upper Support	1
8	00-877798	Guard – Lower Right	1
9	00-425900-00137	Plate – Power Conduits	1
10	00-425900-00026	Panel – Outer (RH)	1
11	00-425900-00136	Bin – Spark	1
12	00-877797	Guard – Lower Left	1
13	00-877807	Foot (Rubber)	4
14	00-877947-00001	Shield – Drip (Bottom) (ML-132092)	2
15	00-877947-00002	Shield – Drip (Bottom) (Coated) (ML-132093)	2
16	00-877933	Valve – Drain	1
17	00-877932	Pan – Drain Assy.	1
18	00-425900-00206	Gasket	1
19	00-877797	Guard – Lower Left	1
20	00-877798	Guard – Lower Right	1

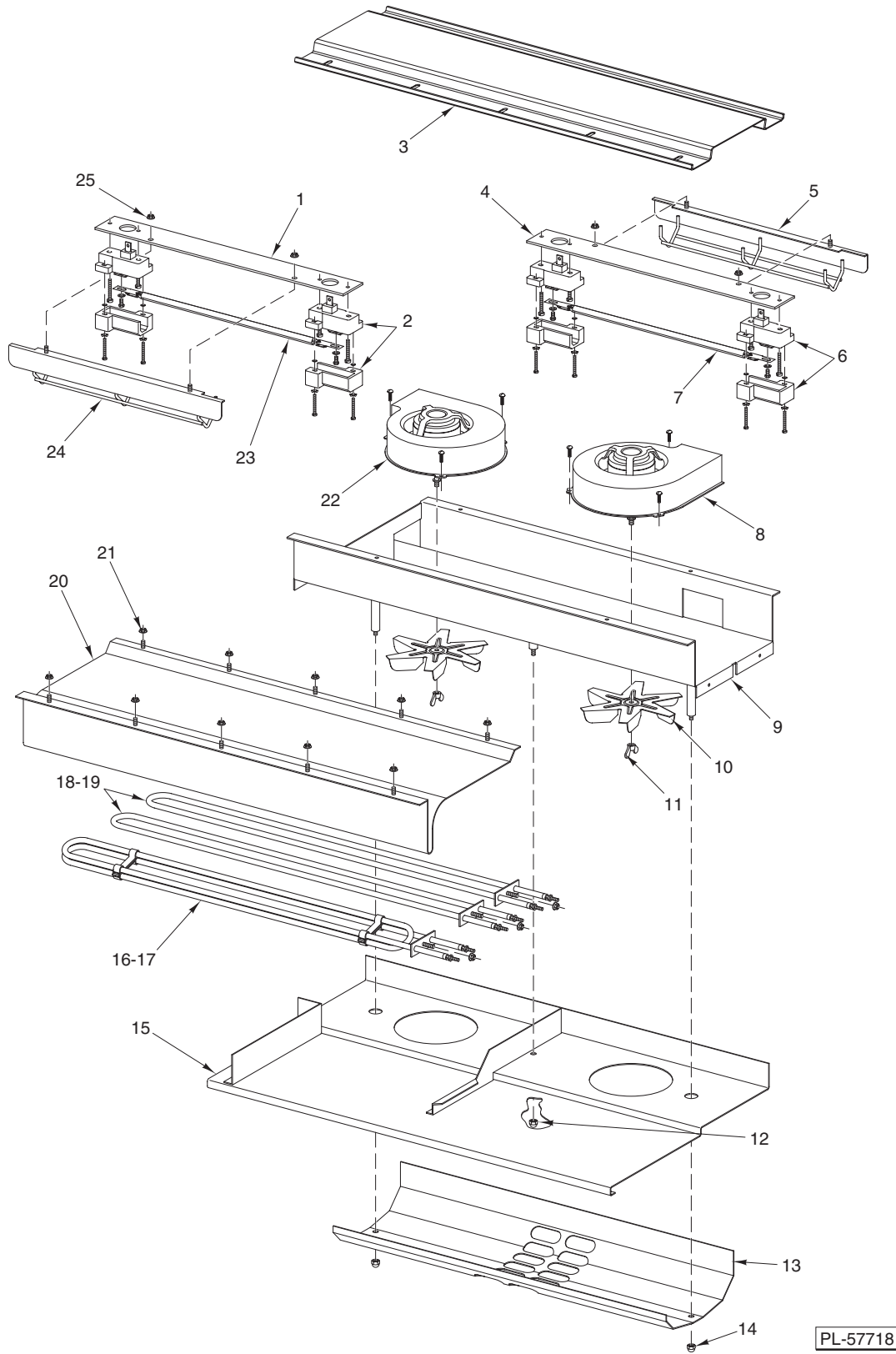


PL-57720

CONTROLS AND COMPONENTS

CONTROLS AND COMPONENTS

ILLUS. PL-57720	PART NO.	NAME OF PART	AMT.
1	00-877889	Din Rail	1
2	00-877888	Contactora (3-Pole)	2
3	00-356946	Sensor – Temperature	1
4	00-047939	Standoff	AR
5	00-877872	Panel – Instrument Assy. (Back)	1
6	00-891067	Kit – Panel Assy.	1
7	00-877917-00001	Block – Terminal (9-Position)	1
8	00-877944	Bracket – Terminal Block	1
9	00-877854-00002	Box – Electrical (RH)	1
10	00-877916-00001	Block – Power (3-Pole)	1
11	00-877854-00001	Box – Electrical (LH)	1
12	00-360145	Thermostat (High Limit)	1
13	00-877887	Capacitor (2.3 uf) (Rotor Motor)	1
14	00-877885	Capacitor (1.5 uf) (Blower Motor)	2
15	00-425900-00105	Plate – Mounting	1
16	00-877881	Controller (CPU)	1
17	00-042808	Support – Circuit Board	6
18	00-877989	Support – Dual Locking (PCB)	6
19	00-877993	Standoff – PCB	2
20	00-877950	Block – Terminal (9-Position)	1
21	PB-005-22	Plug – Button 1½ (32 mm)	1
22	PB-005-23	Plug – Button 1½ (38 mm)	1
23	FE-023-88	Lug – Ground	1
24	00-891067	Kit – Logo Panel Assy.	1
25	00-877871	Panel – Instrument Assy. (Front)	1
26	00-877913-00001	Switch – Power	1
27	00-877913-00002	Bezel – Power Switch	1
28	00-877938	Spacer – Power Switch	1
29	00-877884	Cable – Ribbon	1
30	00-047939	Standoff	AR
31	00-891066	Panel – Membrane Keypad Assy.	1
32	00-877966	Standoff	4
33	00-877882	Controller – Display	1
34	WL-013-05	Lockwasher #6 Internal	4
35	NS-011-07	Nut 6-32 Hex (SST)	4
	00-877868	Nut – Tinnerman	AR
	00-042287	Clamp – Cable	1
	00-877994	Tie – Screw Mount	AR
	00-877945	Holder – Flat Tie	AR
	00-877902	Harness – Contactor	1
	00-877903	Harness – CPU	1

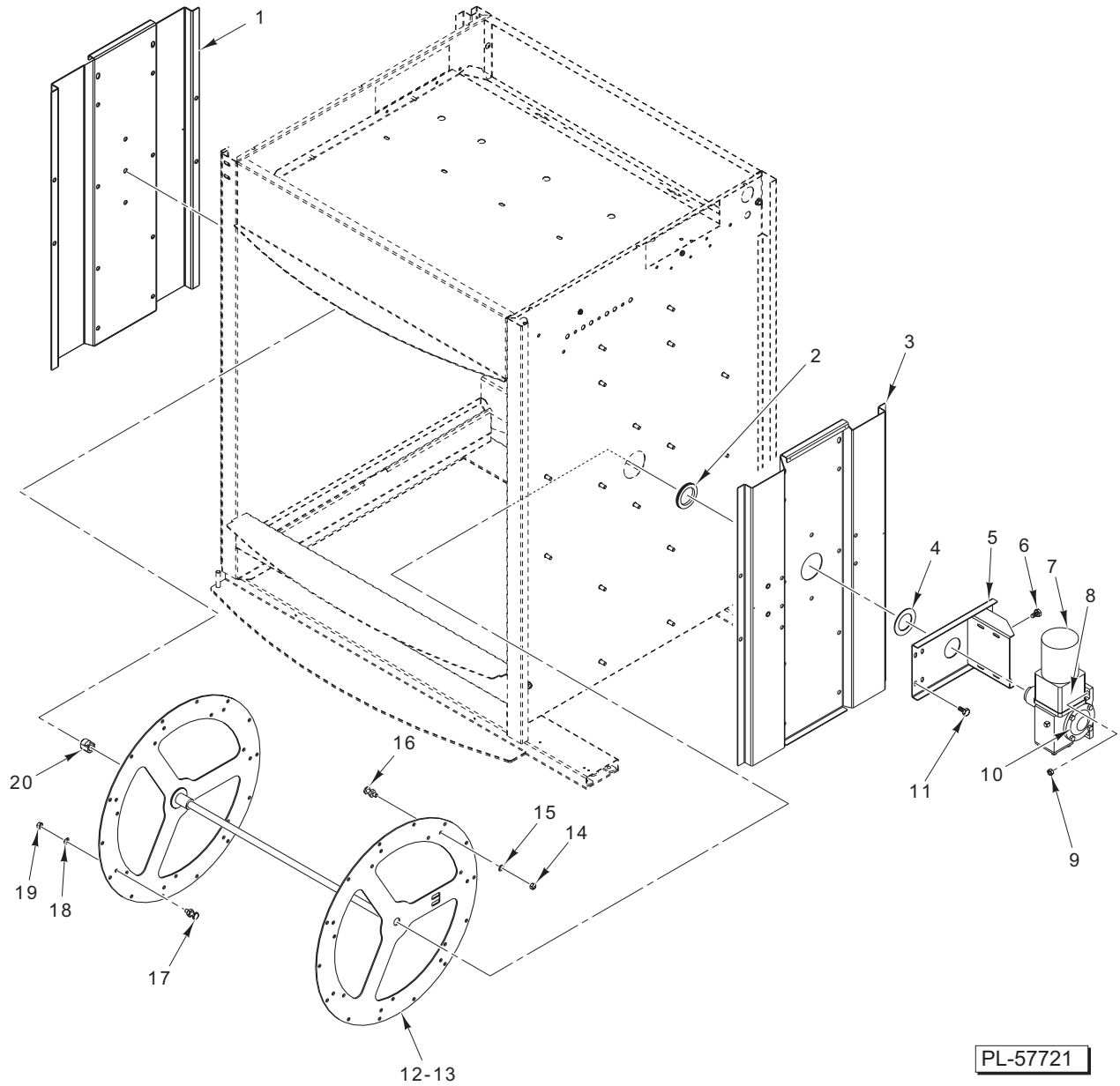


PL-57718

HEATING AND VENTING

HEATING AND VENTING

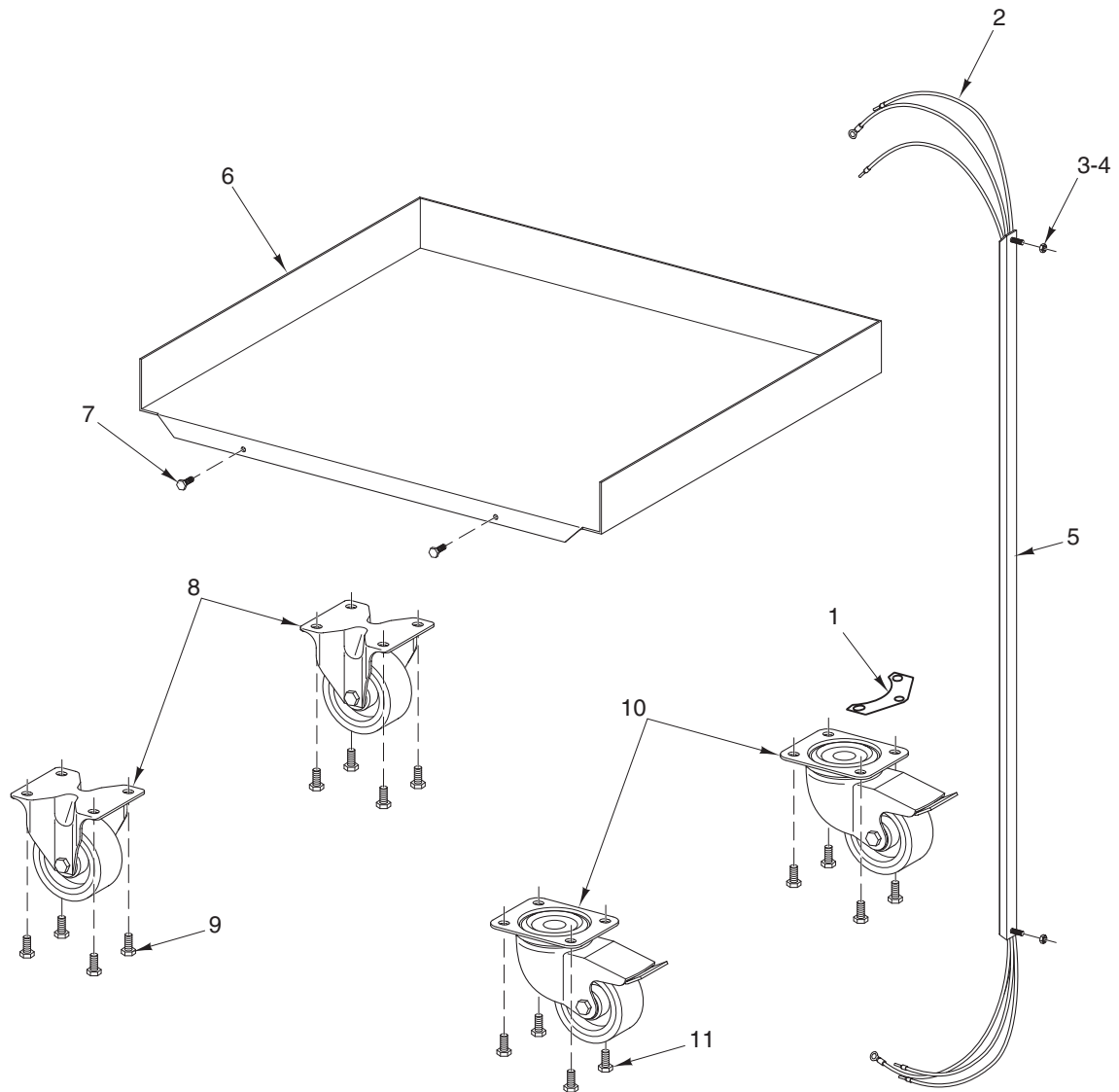
ILLUS. PL-57718	PART NO.	NAME OF PART	AMT.
1	00-359460-00066	Strip – Lamp Holder Mounting	1
2	00-360854	Holder – Quartz Lamp Cap & Base	2
3	00-877799	Cover – Heater Insulation	1
4	00-359460-00066	Strip – Lamp Holder Mounting	1
5	00-891065	Kit – Lamp Guard Assy.	1
6	00-360854	Holder – Quartz Lamp Cap & Base	2
7	00-360155	Lamp – Quartz	1
8	00-359460-00025	Blower (With Fan Blade)	1
9	00-425900-00038	Vent – Chassis Assy.	1
10	00-360127-00002	Fan Blade	2
11	00-422905-00108	Nut (LH Thread)	2
12	NS-025-04	Crown Nut	1
13	00-359460-00017	Plate – Air Deflector	1
14	NS-025-04	Crown Nut	2
15	00-359460-00022	Plate – Ventilating	1
16	00-359460-00046	Element – Heating (208 V., 3100 Watts)	2
17	00-359460-00047	Element – Heating (240 V., 3100 Watts)	2
18	00-356894	Element – Heating (208 V., 2100 Watts)	1
19	00-357813	Element – Heating (240 V., 2100 Watts)	1
20	00-877875	Shield – Heat Assy.	1
21	NS-038-13	Lock Nut 10-24 Hex	10
22	00-359460-00025	Blower (With Fan Blade)	1
23	00-360155	Lamp – Quartz	1
24	00-891065	Kit – Lamp Guard Assy.	1
25	NS-038-13	Lock Nut 10-24 Hex	2



ROTISSERIE AND DRIVE MOTOR

ROTISSERIE AND DRIVE MOTOR

ILLUS.	PART NO.	NAME OF PART	AMT.
PL-57721			
1	00-877790	Plate – Support (Pivot Side)	1
2	00-877941	Seal – Ring	1
3	00-877789	Plate – Support (Motor Side)	1
4	00-359460-00049	Seal – Outside Motor Shaft	1
5	00-877920	Bracket – Motor Assy.	1
6	SC-117-91	Cap Screw 1/4-20 x 1 Hex Hd.	4
7	00-891061	Drive Motor (W/Cap)	1
8	00-891060	Gear Speed Reducer	1
9	NS-038-04	Lock Nut 1/4-20 Hex	4
10	00-891062	Gearbox Drive Arm	1
11	SC-121-61	Mach. Screw 1/4-20 x 5/8 Hex Washer Hd.	4
12	00-877923-00001	Disc – Rotor Assy. (Incls. Items 14 thru 20) (SST)	1
13	00-877923-00002	Disc – Rotor Assy. (Incls. Items 14 thru 20) (Coated)	1
14	NS-015-11	Nut 5/16-18 Hex (SST)	7
15	SL-005-09	Spring – Loading	7
16	00-877940	Pin – Support	7
17	00-877940	Pin – Support	7
18	SL-005-09	Spring – Loading	7
19	NS-015-11	Nut 5/16-18 Hex (SST)	7
20	00-877988	Support – Bearing	1

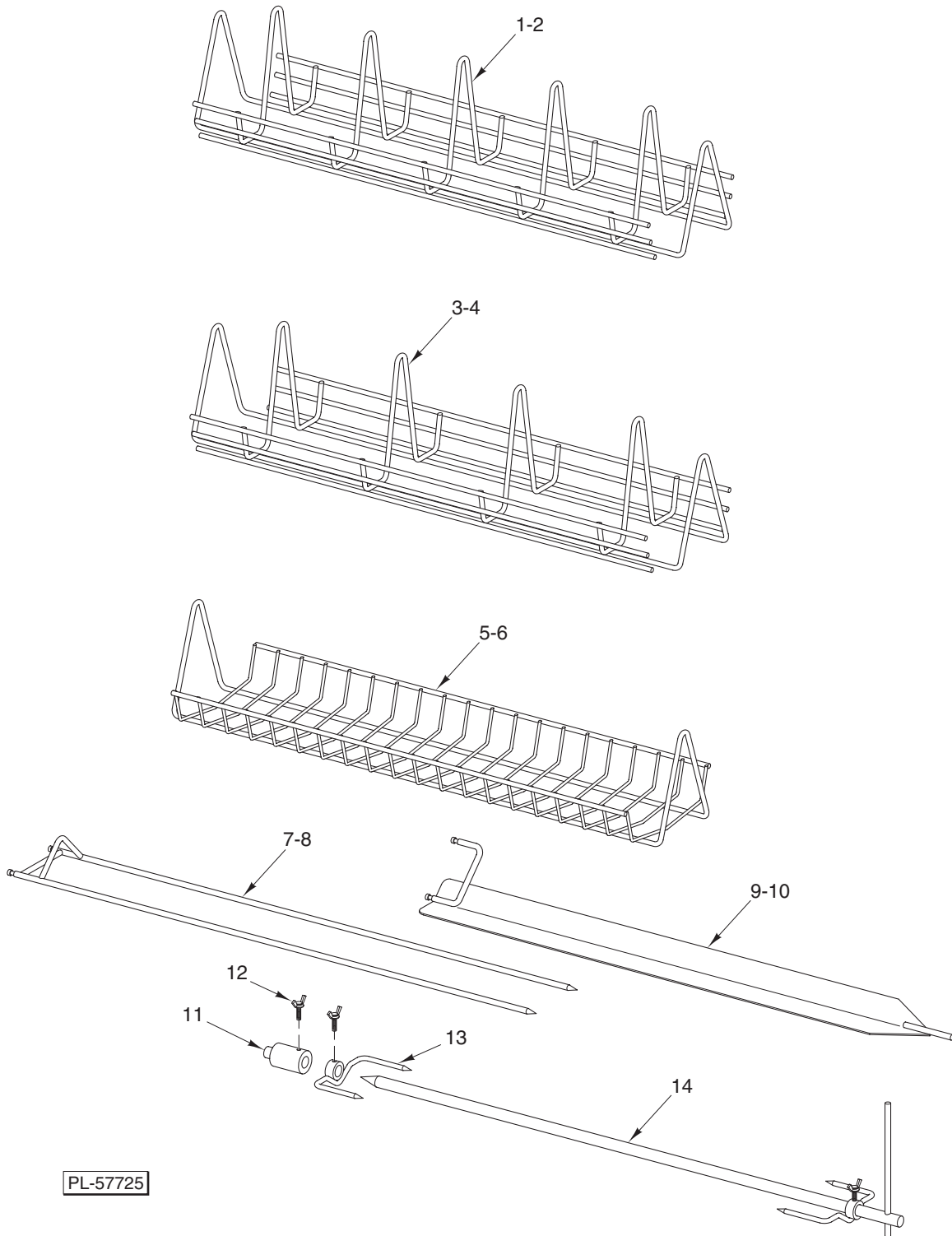


PL-57724

STACKING KIT

STACKING KIT

ILLUS.	PART NO.	NAME OF PART	AMT.
PL-57724			
1	00-877968	Bracket – Tether	1
2	00-877985	Harness – Stacking Kit	1
3	WS-005-42	Washer	2
4	NS-038-13	Lock Nut 10-24 Hex	2
5	00-877972	Guide – Wire Assy.	1
6	00-877970	Protector – Fat	1
7	SD-039-33	Self-Tapping Screw	2
8	00-891071	Caster – Rigid	2
9	SC-117-92	Cap Screw ⁵ / ₁₆ -18 x ³ / ₄ Hex Hd.	8
10	00-891072	Caster – W/Brake	2
11	SC-117-92	Cap Screw ⁵ / ₁₆ -18 x ³ / ₄ Hex Hd.	8
	SC-110-39	Mach. Screw 10-24 x ⁷ / ₈ Hex Hd.	4
	WS-019-10	Washer	4
	NS-038-13	Lock Nut 10-24 Hex	4
	00-877892-00002	Plate – Conduit Mounting (Stack Kit)	1
	00-515194-00002	Sealer (RTU) (Alum.)	1



PL-57725

ACCESSORIES

ACCESSORIES

ILLUS.	PART NO.	NAME OF PART	AMT.
PL-57725			
1	00-425900-00277	Rack – Chicken (W/O Pins) (5 Position)	1
2	00-425900-00238	Rack – Chicken (W/O Pins) (5 Position) (Coated)	1
3	00-425900-00278	Rack – Chicken (W/O Pins) (4 Position)	1
4	00-425900-00239	Rack – Chicken (W/O Pins) (4 Position) (Coated)	1
5	00-425900-00276	Basket – Meat (W/O Pins)	1
6	00-425900-00237	Basket – Meat (W/O Pins) (Coated)	1
7	00-425900-00317	Fork – Meat	7
8	00-425900-00318	Fork – Meat (Coated)	7
9	00-359580	Spit – V	1
10	00-425900-00236	Spit – V (Coated)	1
11	00-360386	Sleeve – Spit	1
12	00-360297	Screw – Wing M5	AR
13	00-360387	Fork – Spit	2
14	00-425900-00255	Shaft – Spit	1
	00-425774-00032	Spit – Turkey Assy. (Incls. Items 11 thru 14)	1
	00-357553-00158	Saltshaker	1
	00-357553-00159	Gloves (Set of 2)	1

