



# CATALOG OF REPLACEMENT PARTS

## HRTO RETHERMALIZATION OVEN

HRTO

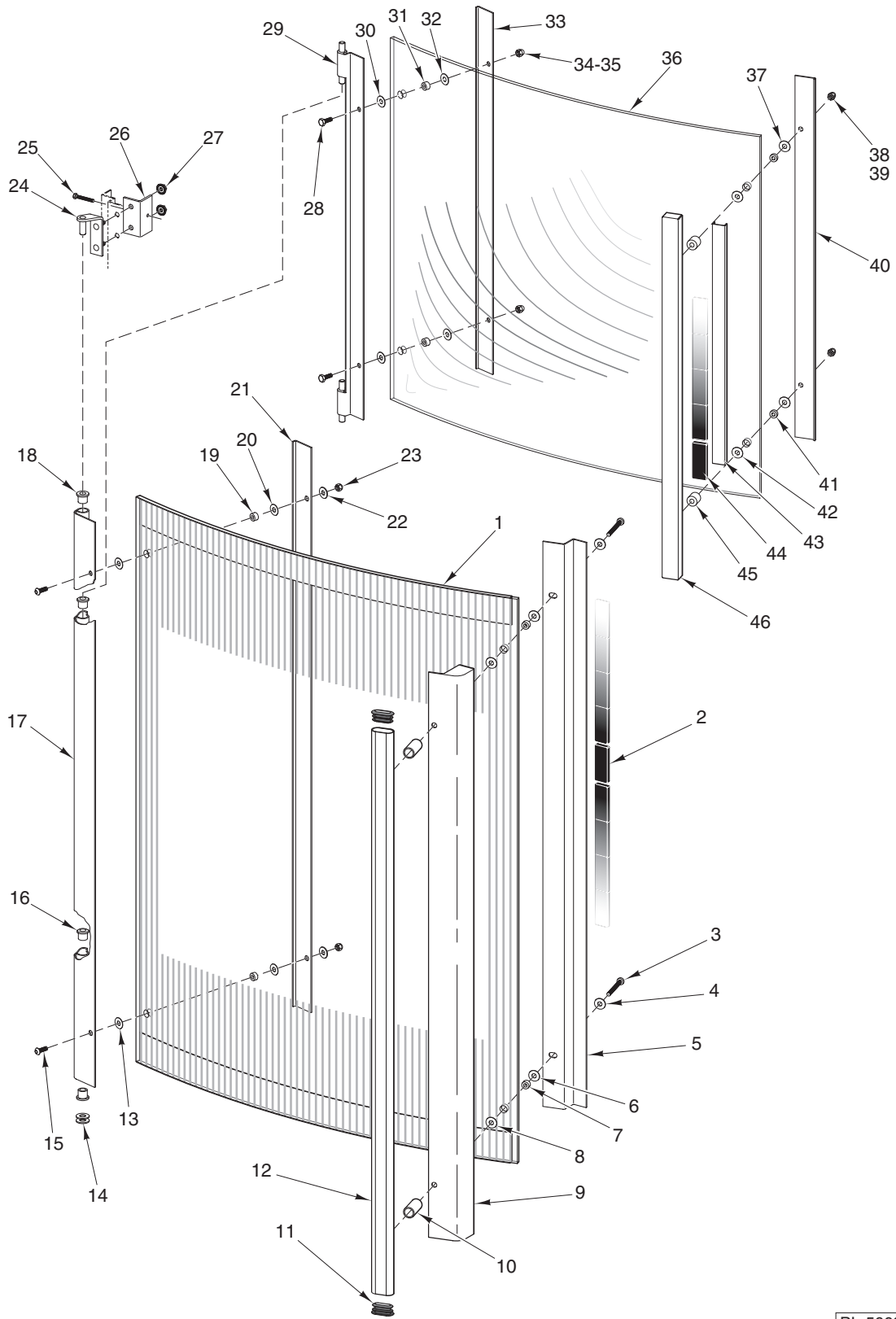
ML-132064





**Table of Contents**

<b>Page</b>	<b>Description</b>
5	Door Assembly
7	Control Panel and Electrical Components
9	Heating and Venting
11	Rethermalization Frame



DOOR ASSEMBLY

PL-56691

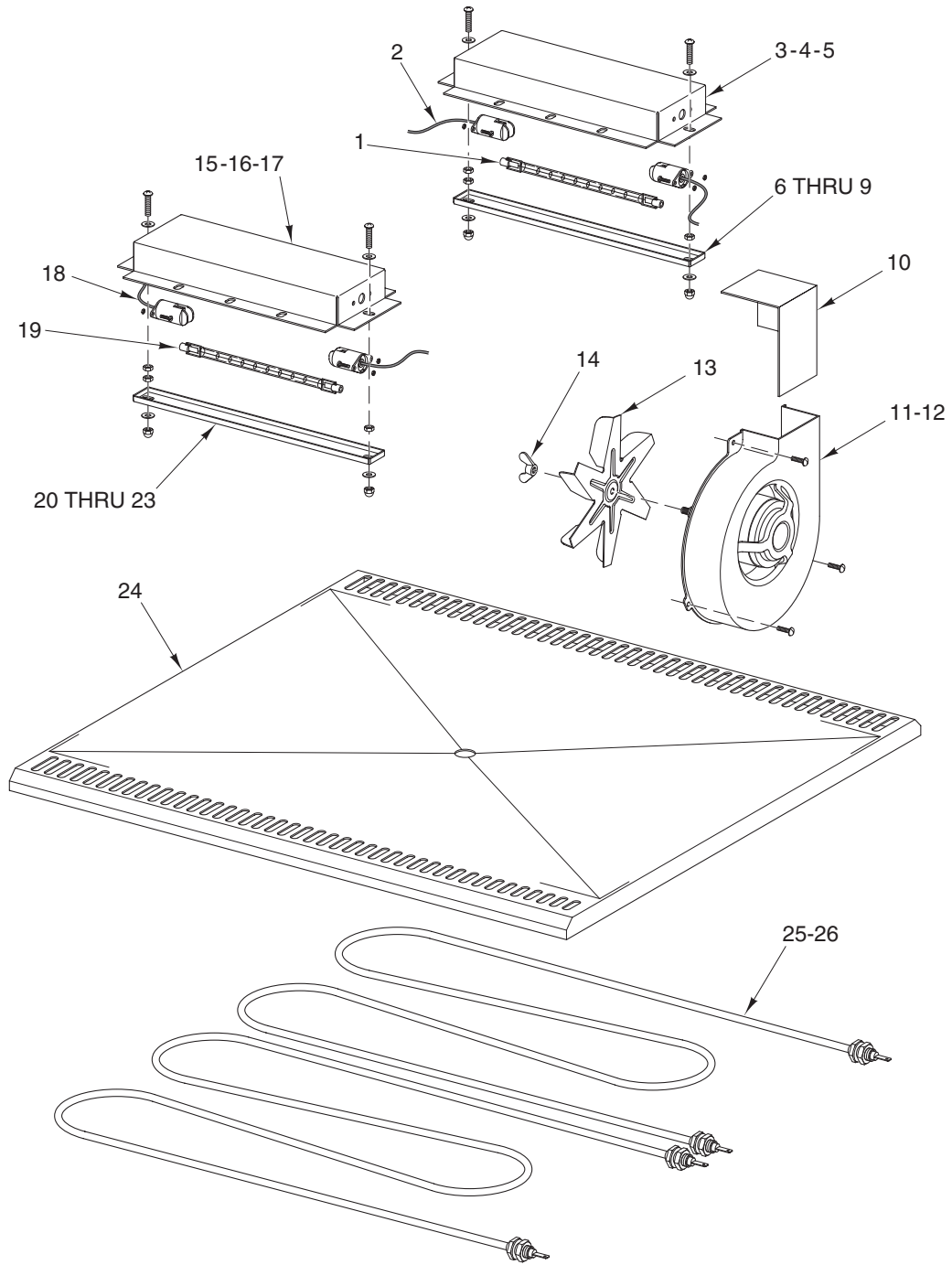
**DOOR ASSEMBLY**

ILLUS. PL-56691	PART NO.	NAME OF PART	AMT.
1	00-425900-00173	Glass – Outer (W/Edge Protector) .....	1
2	00-360128	Magnet – Door .....	AR
3	00-425900-00190	Screw M5 x 45 mm Rd. Hd. (SST) (Door Glass) .....	2
4	00-357553-00073	Washer M5 x 15 mm .....	2
5	00-425900-00097	Grip – Handle Attachment .....	1
6	00-425900-00187	Washer 15 mm O.D. x 7 mm I.D. x 0.5 mm Thk. ....	2
7	00-425900-00188	Spacer – Outer Door Glass .....	2
8	00-425900-00187	Washer 15 mm O.D. x 7 mm I.D. x 0.5 mm Thk. ....	2
9	00-425900-00042	Section – Magnet Assy. ....	1
10	00-425900-00132	Collar – Spacing (Handle) .....	2
11	00-425900-00062	Cover – Handgrip .....	2
12	00-425900-00130	Handle – Grip .....	1
13	00-425900-00187	Washer 15 mm O.D. x 7 mm I.D. x 0.5 mm Thk. ....	2
14	00-425900-00253	Shim – Door (M8) .....	AR
15	00-425900-00189	Screw M5 x 16 mm (Outer Door) .....	2
16	00-425900-00208	Bearing – Bush (W/Flats) .....	2
17	00-425900-00027	Hinge Assy. (Outer Door) .....	1
18	00-425900-00079	Bearing – Bush .....	2
19	00-425900-00188	Spacer – Outer Door Glass .....	2
20	00-425900-00187	Washer 15 mm O.D. x 7 mm I.D. x 0.5 mm Thk. ....	2
21	00-425900-00096	Support – Outer Hinge .....	1
22	00-357553-00073	Washer M5 x 15 mm .....	2
23	00-425900-00204	Nut – Locking M5 (SST) .....	2
24	00-425900-00031	Hinge Assy. (RH) .....	1
25	00-357553-00100	Bolt M5 x 20 mm .....	1
26	00-425900-00142	Retainer – Hinge Adjustable .....	1
27	00-422905-00058	Cap Nut M5 (Tension Lock) .....	2
28	00-358521-00010	Bolt M5 x 12 mm .....	2
29	00-425900-00028	Hinge Assy. (Inner Door) .....	1
30	00-425900-00187	Washer 15 mm O.D. x 7 mm I.D. x 0.5 mm Thk. ....	2
31	00-425900-00192	Spacer – Inner Door Glass .....	2
32	00-425900-00187	Washer 15 mm O.D. x 7 mm I.D. x 0.5 mm Thk. ....	2
33	00-425900-00029	Support – Inner Hinge .....	1
34	00-358580	Cap Nut M5 .....	2
35	00-542711	Adhesive – Loctite 620 .....	2
36	00-425900-00063	Glass – Inside .....	1
37	00-425900-00187	Washer 15 mm O.D. x 7 mm I.D. x 0.5 mm Thk. ....	2
38	00-358580	Cap Nut M5 .....	2
39	00-542711	Adhesive – Loctite 620 .....	2
40	00-425900-00029	Support – Inner Hinge .....	1
41	00-425900-00192	Spacer – Inner Door Glass .....	2
42	00-425900-00187	Washer 15 mm O.D. x 7 mm I.D. x 0.5 mm Thk. ....	2
43	00-425900-00099	Section – Magnet Filler .....	1
44	00-360128	Magnet – Door .....	AR
45	00-425900-00191	Spacer – Magnet Holder .....	2
46	00-425900-00098	Holder – Magnet .....	1



**CONTROL PANEL AND  
ELECTRICAL COMPONENTS**

ILLUS. PL-56692	PART NO.	NAME OF PART	AMT.
1	00-877693-00001	Thermometer .....	1
2	00-877693-00002	Panel – Instrument Assy.....	1
3	00-425900-00077	Ring – Locking Knob .....	1
4	00-877693-00013	Dial – Thermostat .....	1
5	00-425900-00071	Knob – Control .....	1
6	00-425900-00076	Cover – Knob .....	1
7	00-425900-00077	Ring – Locking Knob .....	1
8	00-877693-00003	Dial – Timer .....	1
9	00-425900-00071	Knob – Control .....	1
10	00-425900-00076	Cover – Knob .....	1
11	00-357553-00073	Washer M5 x 15 mm .....	2
12	00-357563	Screw M5 x 8 mm Special .....	2
13	00-425774-00005	Nameplate – Hobart .....	1
14	00-422905-00058	Cap Nut M5 (Tension Lock) .....	4
15	00-877693-00010	Bracket – Terminal Block .....	1
16	00-357553-00100	Bolt M5 x 20 mm .....	1
17	00-357553-00127	Washer Star M5.....	2
18	00-357553-00056	Nut M5 .....	1
19	00-360280	Plate – Ground .....	1
20	00-358712-00001	Block – Terminal “1,2,3” .....	1
21	00-358712-00002	Block – Terminal “4,5,6” .....	1
22	00-425900-00259	Screw M4 x 20 mm Cheese Hd. ....	4
23	00-359460-00057	Capacitor 1.5 MF .....	1
24	00-356841	Block – Terminal .....	1
25	00-356878	Switch – Rotary .....	1
26	00-425900-00264	Screw M4 x 6 mm Slotted Flat Hd. ....	2
27	00-877693-00004	Thermostat (140-392 Deg. F) .....	1
28	00-844517-00010	Nut .....	1
29	00-877693-00011	Clamping Plate, Capillary Mount .....	1
30	00-360112	Bracket – Capillary Mount .....	1
31	00-360145	Thermostat – Hi-Limit (492 Deg. F) .....	1
32	00-360151	Contact .....	1
33	00-357553-00014	Timer (120 Min.) .....	1
34	00-357553-00019	Grommet .....	1
35	00-356840	Holder – Fuse (External) .....	2
36	00-422905-00097	Fuse – Transformer Primary (10 Amp.) .....	2
37	00-877693-00014	Overlay – Temperature Dial .....	1
38	00-877693-00015	Overlay – Timer Dial .....	1
39	00-877693-00016	Overlay – Timer Dial Reminder .....	1

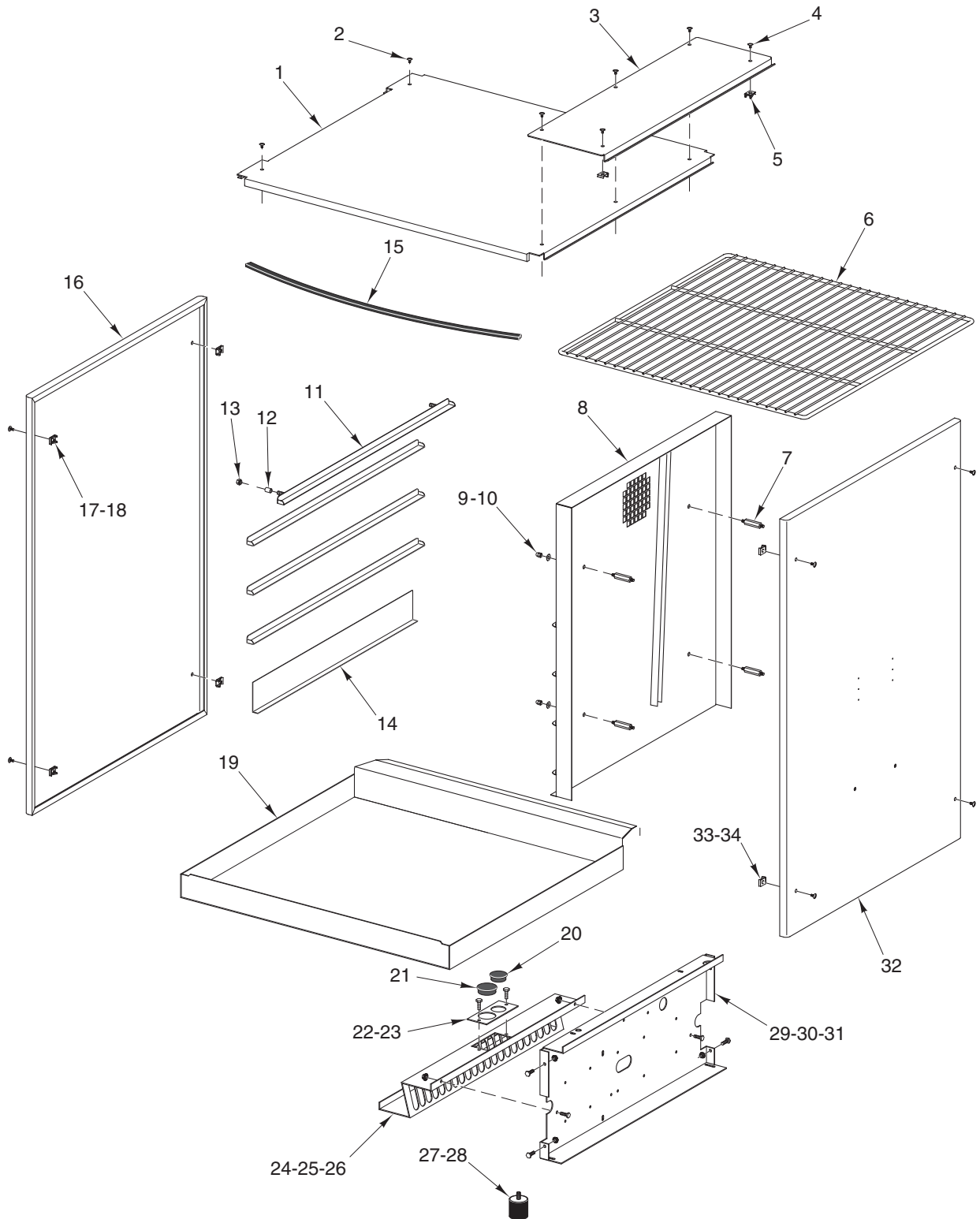


HEATING AND VENTING

PL-56693

HEATING AND VENTING

ILLUS. PL-56693	PART NO.	NAME OF PART	AMT.
1	00-360446	Lamp – Halotherm (200 W.)	1
2	00-360240	Holder – Lamp	2
3	00-425900-00129	Lamp – Bin	1
4	00-358521-00035	Screw M5 x 20 mm	2
5	00-357553-00073	Washer M5 x 15 mm	2
6	00-425900-00128	Plate – Lamp (Upper)	1
7	00-358521-00032	Nut M5	3
8	00-357553-00073	Washer M5 x 15 mm	2
9	00-358580	Cap Nut M5	2
10	00-425900-00135	Vent	1
11	00-425900-00167	Blower (Incls. Item 13)	1
12	00-425900-00257	Self-Tapping Screw M4 x 16 mm Phil. Pan Hd.	3
13	00-422905-00008	Blade – Fan	1
14	00-422905-00108	Nut – Fan M6 (LH)	1
15	00-425900-00129	Lamp – Bin	1
16	00-358521-00035	Screw M5 x 20 mm	2
17	00-357553-00073	Washer M5 x 15 mm	2
18	00-360240	Holder – Lamp	2
19	00-360446	Lamp – Halotherm (200 W.)	1
20	00-425900-00128	Plate – Lamp (Upper)	1
21	00-358521-00032	Nut M5	3
22	00-357553-00073	Washer M5 x 15 mm	2
23	00-358580	Cap Nut M5	2
24	00-877693-00005	Plate – Bottom	1
25	00-877693-00006	Element (208 V.) (3100 W.)	2
26	00-877693-00007	Element (240 V.) (3100 W.)	2



PL-56694

**REETHERMALIZATION FRAME**

**REETHERMALIZATION FRAME**

ILLUS.	PART NO.	NAME OF PART	AMT.
PL-56694			
1	00-425900-00108	Panel – Upper (Outer) .....	1
2	00-422905-00059	Screw M5 x 8 mm .....	3
3	00-425900-00094	Cover Assy. ....	1
4	00-422905-00059	Screw M5 x 8 mm .....	5
5	00-425900-00078	Nut – Tinnerman M5 .....	2
6	00-356929	Rack – Stainless Steel Wire .....	4
7	00-360136	Spacer – Fan Guard .....	4
8	00-877693-00008	Cover – Plate (Fan Assy.) (W/4 Rack Guides) .....	1
9	00-425900-00273	Nut M6 .....	4
10	00-425900-00152	Washer M6 (SST) .....	4
11	00-425900-00216	Slide – Rack .....	4
12	00-425900-00220	Spacer .....	10
13	00-422905-00058	Lock Nut .....	8
14	00-425900-00218	Slide – Lower Rack Assy. ....	1
15	00-425900-00205	Gasket .....	1
16	00-425900-00032	Panel – Outer Assy. ....	1
17	00-422905-00059	Screw M5 x 8 mm .....	4
18	00-425900-00078	Nut – Tinnerman M5 .....	4
19	00-877693-00009	Drawer Assy. (Drip Pan) .....	1
20	00-425900-00183	Bushing – Cap (114 In.) .....	1
21	00-425900-00184	Bushing – Cap (112 In.) .....	1
22	00-425900-00137	Plate – Power Conduit .....	1
23	00-357563	Screw M5 x 8 mm Special .....	2
24	00-425900-00226	Bin – Spark .....	1
25	00-357563	Screw M5 x 8 mm Special .....	2
26	00-422905-00058	Cap Nut M5 (Tension Lock) .....	2
27	00-877693-00017	Foot 38 mm x 103 mm .....	4
28	00-877693-00018	Retainer 48 mm x 3 mm .....	4
29	00-425900-00116	Plate – Mounting .....	1
30	00-357563	Screw M5 x 8 mm Special .....	4
31	00-422905-00058	Cap Nut M5 (Tension Lock) .....	4
32	00-425900-00223	Panel – Outer Assy. (RH) (W/Data Plate Holes) .....	1
33	00-422905-00059	Screw M5 x 8 mm .....	4
34	00-425900-00078	Nut – Tinnerman M5 .....	4

