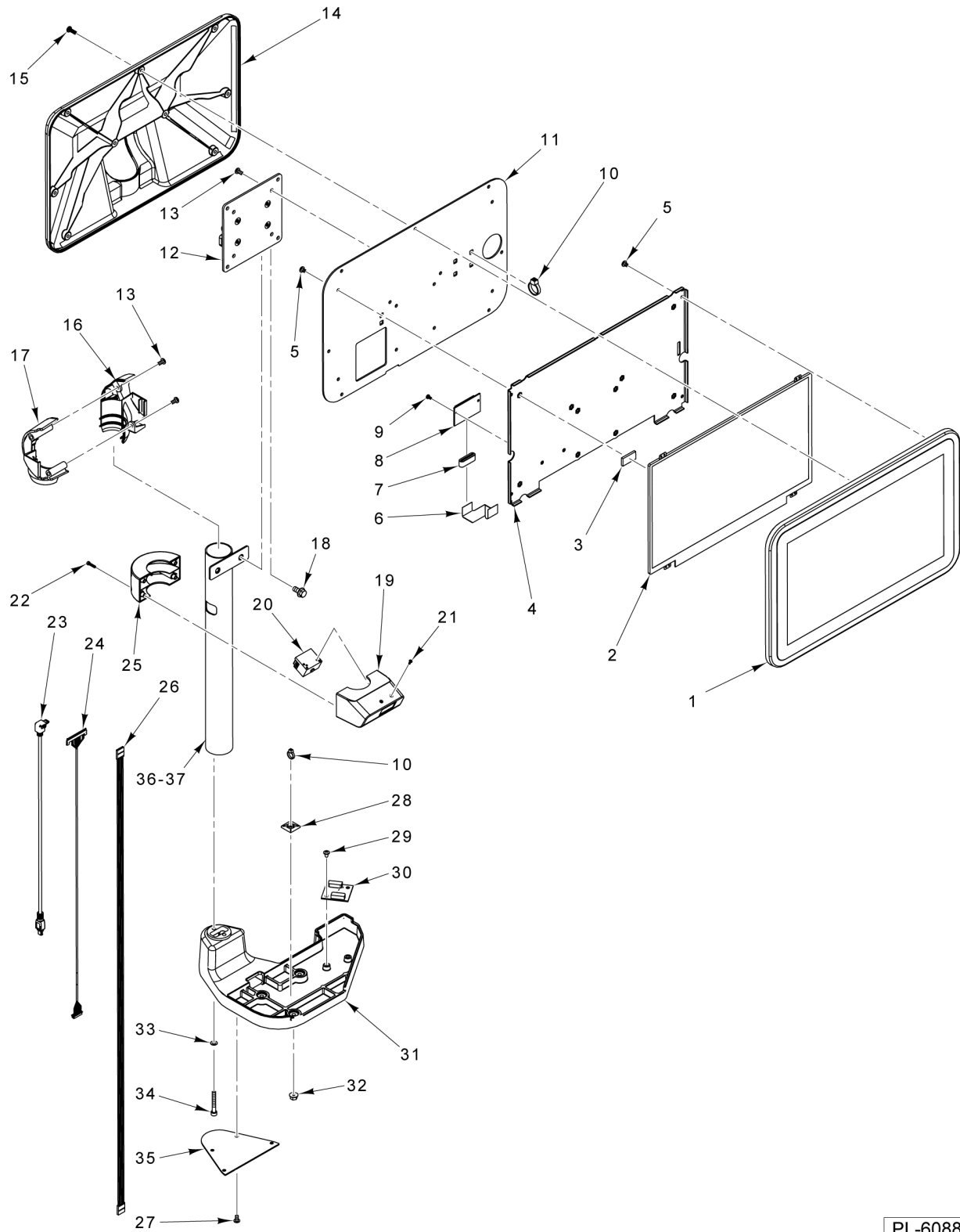






### Table of Contents

5	ELEVATED SELF-SERVICE DISPLAY
7	WEIGHER COMPONENTS
9	MAIN CIRCUIT COMPONENTS (SYSTEM CONTROL / PERIPHERAL PCB)
11	MAIN CIRCUIT COMPONENTS (ARA PCB)
13	MAIN CIRCUIT COMPONENTS (ARK PCB) (HTI-5S ONLY)
15	POWER SUPPLY
17	PRINTER
19	CASSETTE (WIDE LABEL)
21	CASSETTE (LINERLESS)
23	LABEL CUTTER KIT
25	LABEL CUTTER ASSEMBLY
27	CABLES - CONNECTOR BOARD (SYSTEM CONTROL / PERIPHERAL BOARD)
29	CABLES - PANEL MOUNT (SYSTEM CONTROL / PERIPHERAL BOARD)
31	CABLES - CONNECTOR BOARD (ARA SYSTEM CONTROL BOARD)
33	CABLES - PANEL MOUNT (ARA SYSTEM CONTROL BOARD)
35	CABLES - PANEL MOUNT (ARK SYSTEM CONTROL BOARD)

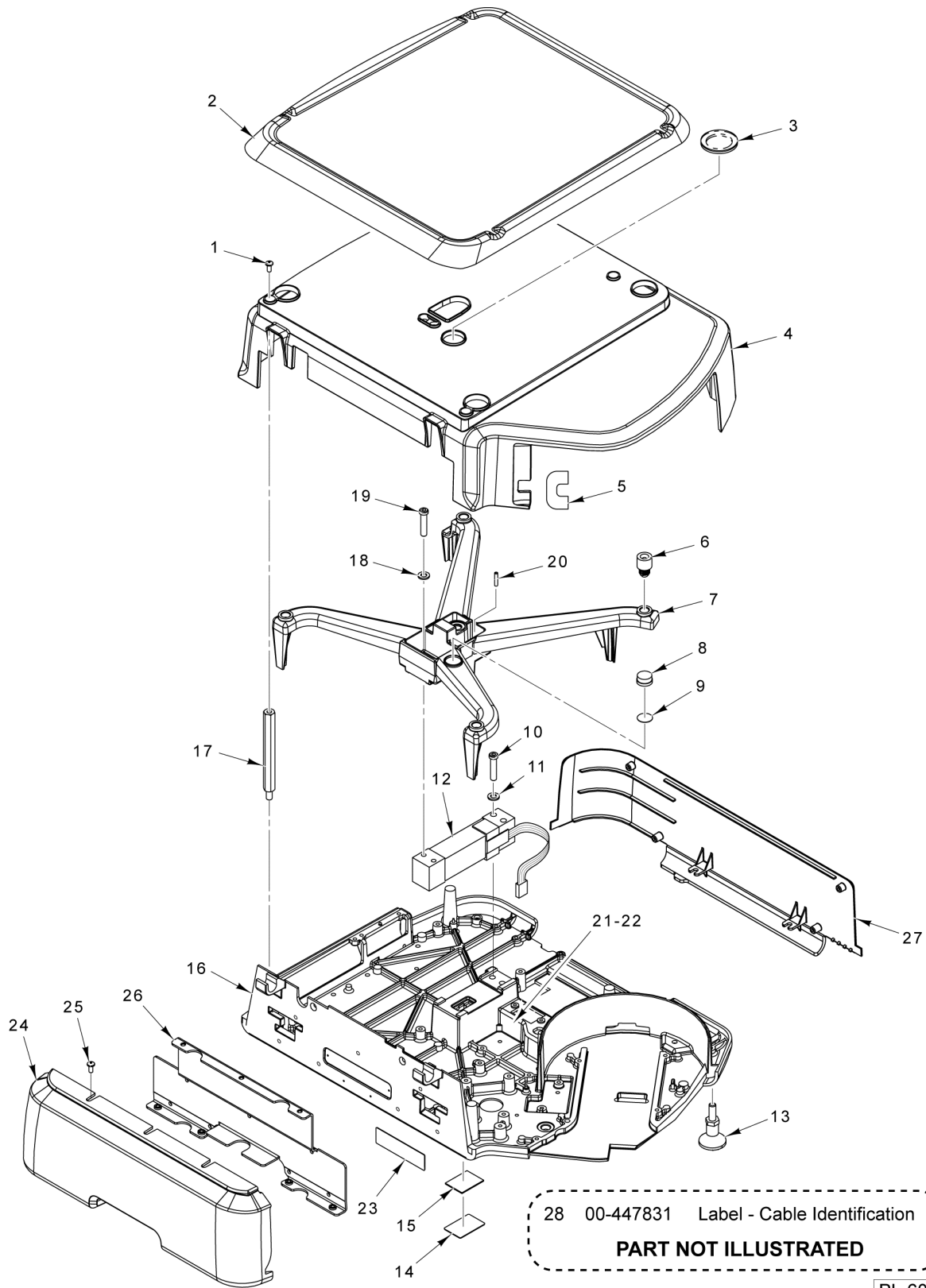


PL-60881

**ELEVATED SELF-SERVICE DISPLAY**

**ELEVATED SELF-SERVICE DISPLAY**

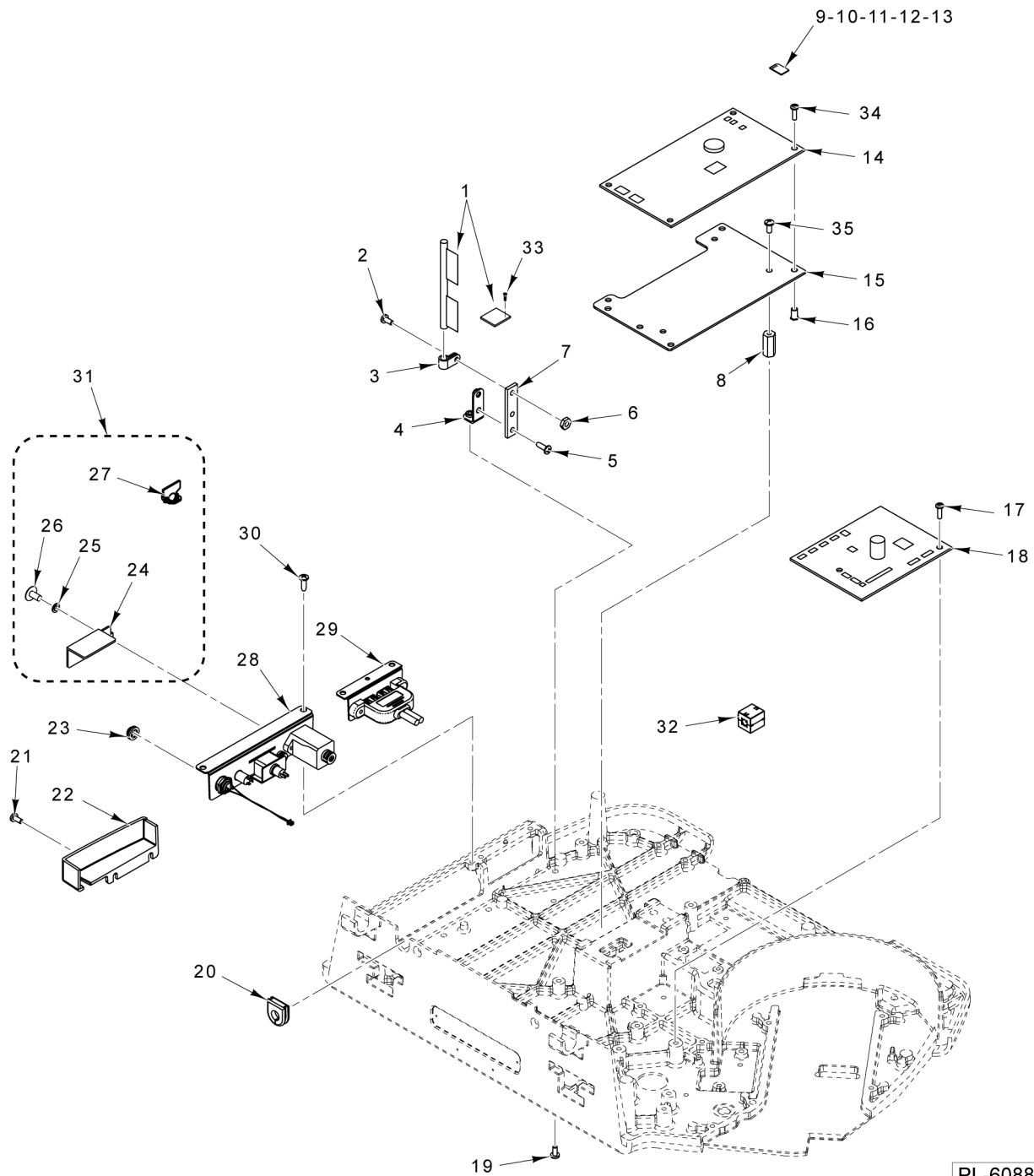
ILLUS.	PART NO.	NAME OF PART	AMT.
PL-60881			
1	00-448690	Touchscreen - Front Housing Assy.....	1
2	00-448231	Display - Color (14 In. 1366 x 768).....	1
3	00-448342	Pad - Foam.....	4
4	00-448222	Plate - Display Mounting.....	1
5	SC-018-30	Mach. Screw 8-32 x 1/4 Phil. Pan Hd.....	8
6	00-448197	Cable Assy. (FFC Display).....	1
7	00-447066	Cable - Flex Ribbon.....	1
8	00-448095	PCB - LCD Interface.....	1
9	SC-018-68	Mach. Screw 4-40 x 1/4 Phil. Pan Hd.....	2
10	00-251199	Tie - Cable (4 In. Long).....	4
11	00-448221	Frame - Display.....	1
12	00-448232	Hinge - Display.....	1
13	SC-018-31	Mach. Screw 8-32 x 3/8 Phil. Pan Hd.....	6
14	00-448224	Cover - Display Rear.....	1
15	SC-132-16	Mach. Screw 8-32 x 1/2.....	9
16	00-448225	Cover - Left Hinge.....	1
17	00-448226	Cover - Right Hinge.....	1
18	SC-129-49	Mach. Screw 1/4-20 x 1/2 Hex Washer Hd. (SST).....	2
19	00-448204	Housing Assy. Front Scanner (ML-29374).....	1
20	00-448234	Module - Scanner (ML-29374).....	1
21	SD-039-84	Self-Tapping Screw 2-28 Phil. Pan Hd., Type TT (ML-29374).....	2
22	SC-132-15	Mach. Screw 4-40 x 1/4 (ML-29374).....	4
23	00-448196	Cable Assy. (USB Scanner) (ML-29374).....	1
24	00-448194	Cable Assy. (LVDS Display).....	1
25	00-448229	Housing - Rear Scanner (ML-29374).....	1
26	00-448198	Cable Assy. - Touchscreen.....	1
27	SD-015-40	Self-Tapping Screw 8-32 x 3/8 Phil. Pan Hd., Type TT.....	4
28	00-255503	Mount - Cable Tie.....	1
29	SD-015-39	Self-Tapping Screw 8-32 x 1/4 Phil. Pan Hd., Type TT.....	2
30	00-448170	Interface - Board (Elevated Display).....	1
31	00-448217	Base - Display.....	1
32	NS-047-15	Lock Nut 8-32.....	3
33	WL-008-13	Lockwasher #10 Internal Shakeproof.....	2
34	SC-124-37	Cap Screw 10-24 x 1-3/8 Hex Socket Hd.....	2
35	00-448218	Cover - Bottom Casting.....	1
36	00-448207	Post (ML-29374).....	1
37	00-448208	Post - Without Holes.....	1



**WEIGHER COMPONENTS**

## WEIGHER COMPONENTS

ILLUS.	PART NO.	NAME OF PART	AMT.
PL-60884			
1	SC-129-33	Mach. Screw 8-32 x 3/8 Phil. Pan Hd.....	4
2	00-447083	Platter Assy.....	1
3	00-441243	Cover - Level Bubble (Incls. Foam Gasket).....	1
4	00-447050	Housing - Main (Black).....	1
5	00-447058	Shield - Infrared.....	1
6	00-043319	Mount - Platter.....	5
7	00-043302	Platter - Sub.....	1
8	00-043112	Level - Spirit.....	1
9	00-043257	Tape - Level.....	1
10	SC-120-70	Cap Screw 1/4-20 x 1-5/8 Hex Socket Hd.....	2
11	WL-008-17	Lockwasher 1/4 Internal.....	2
12	00-443075	Load Cell - Multiple Range (15 kg).....	1
13	00-447055	Foot Assy.....	4
14	00-043389	Plate - Remote Weigher.....	1
15	00-043256	Tape.....	1
16	00-444750-00006	Base - Main.....	1
17	00-043318	Standoff (Housing Mount).....	4
18	WL-008-17	Lockwasher 1/4 Internal.....	2
19	SC-120-70	Cap Screw 1/4-20 x 1-5/8 Hex Socket Hd.....	2
20	00-043286	Screw - Overload (Stop).....	2
21	00-043256	Tape.....	1
22	00-043390	Plate - SM Port.....	1
23	00-184336	Label - Interference Warning.....	1
24	00-448216	Cover - Front.....	1
25	SC-018-34	Mach. Screw 8-32 x 1/2 Phil. Pan Hd.....	7
26	00-448215	Bracket - Front Cover.....	1
27	00-447052	Panel - Housing Filler.....	1
28	00-447831	Label - Cable Identification.....	1



PL-60882

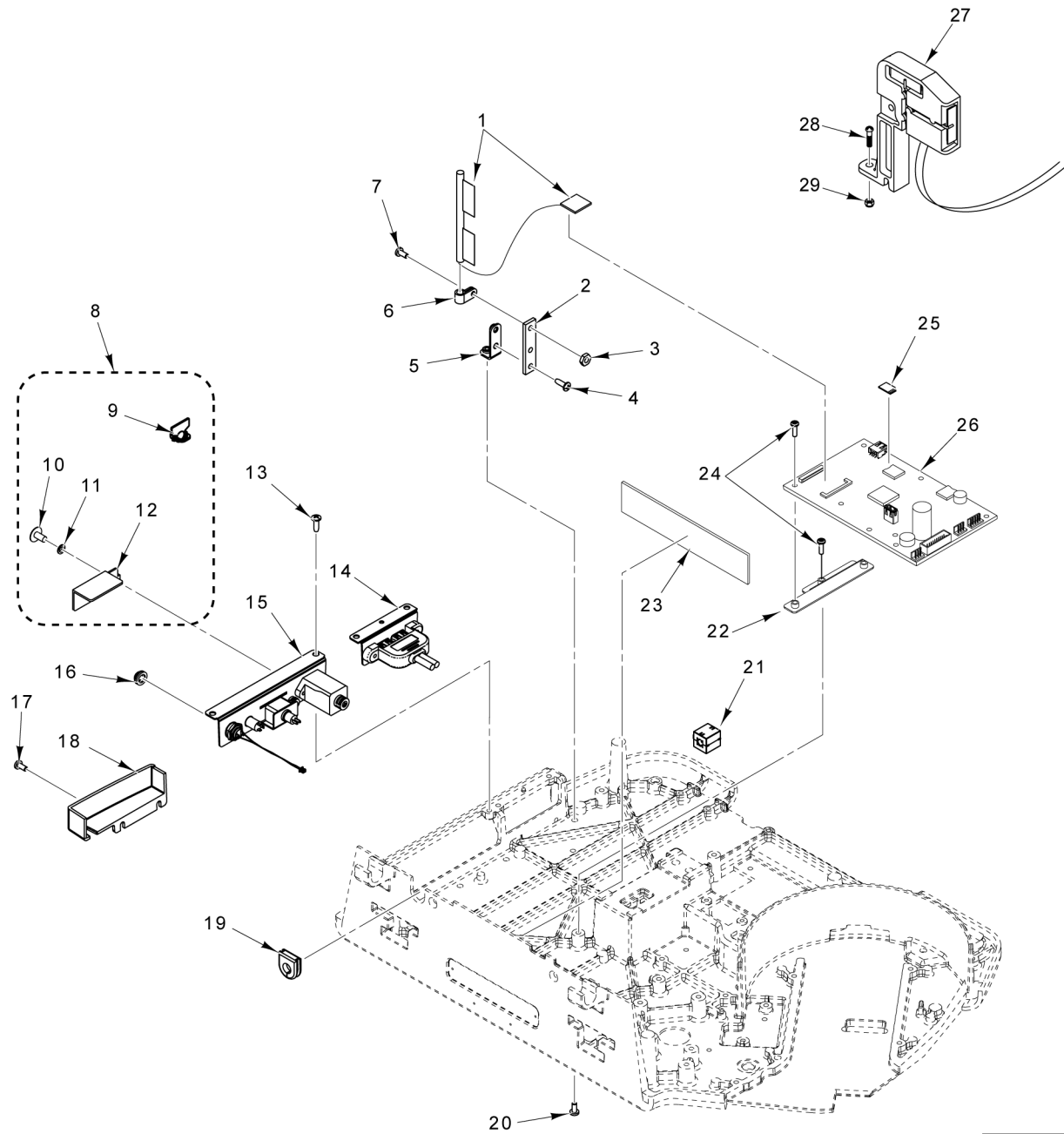
**MAIN CIRCUIT COMPONENTS  
(SYSTEM CONTROL / PERIPHERAL PCB)**

**MAIN CIRCUIT COMPONENTS  
(SYSTEM CONTROL / PERIPHERAL PCB)**

ILLUS. PL-60882	PART NO.	NAME OF PART	AMT.
1	00-449162	Kit - WiFi Module and Antenna (Must replace as set).....	1
2	SD-015-40	Self-Tapping Screw 8-32 x 3/8 Phil. Pan Hd., Type TT.....	1
3	00-447108	Clamp P.....	1
4	00-447087	Bracket - Antenna.....	1
5	SC-129-33	Mach. Screw 8-32 x 3/8 Phil. Pan Hd.....	2
6	NS-031-07	Stop Nut 8-32 Hex.....	1
7	00-447086	Isolator - Antenna.....	1
8	00-448189	Standoff (3/8 x 1-1/2).....	4
9	00-447164-00014	Micro SD (Programmed) (8GB) (Version 1.12.0).....	1
*10	00-448959-00004	Micro SD (Programmed) (16GB) (Version 2.6.0).....	1
**11	00-450134-00002	Micro SD (Programmed) (16GB) (Version 4.1.100).....	1
**12	45-000057-00001	Micro SD (Programmed) (16GB) (Version 3.3.628) (Walmart Only).....	1
**13	45-000032-00002	Micro SD (Programmed) (16GB) (Version 4.0.358) (Costco Only).....	1
14	00-448248	Board - System Control.....	1
15	00-447012	Bracket Assy. - Main Board.....	1
16	00-047080-00019	Insert.....	5
17	SC-129-33	Mach. Screw 8-32 x 3/8 Phil. Pan Hd.....	2
18	00-447780	Board - Peripheral Control.....	1
19	SD-015-40	Self-Tapping Screw 8-32 x 3/8 Phil. Pan Hd., Type TT.....	1
20	00-447046	Grommet.....	1
21	SD-039-75	Self-Tapping Screw 8-32 x 3/8, Type TT (Black).....	3
22	00-447059	Cover - Network.....	1
23	00-443606	Seal - Power / Reset Button.....	1
24		Plate - Security (Part of Item 31).....	1
25	WL-003-12	Lockwasher #8 Helical.....	1
26	00-183906	Screw (Special Fil. Hd.).....	1
27	00-444424	Seal - Wire Roto (8 In.).....	1
28	00-448030	Bracket Assy. (Panel Mount).....	1
29	00-448056	Bracket Assy. (USB Panel Mount).....	1
30	SD-015-40	Self-Tapping Screw 8-32 x 3/8 Phil. Pan Hd., Type TT.....	4
31	00-448245	Kit - Security Seal (With Security Plate) (Incls. Items 24 thru 27).....	1
32	00-448365	Ferrite - Case (Clamp On).....	1
33	SC-132-06	Screw - Mach M2 X 0.4 X 4MM.....	2
34	SC-112-42	Mach. Screw 6-32 x 1/2 Phil. Pan Hd.....	5
35	SC-129-33	Mach. Screw 8-32 x 3/8 Phil. Pan Hd.....	4

\* Use only in scales where application V2.6.0 or higher is currently installed

\*\* Use only in scales where application V3.0 or higher is currently installed



PL-65161

**MAIN CIRCUIT COMPONENTS  
(ARA PCB)**

## MAIN CIRCUIT COMPONENTS (ARA PCB)

ILLUS. PL-65161	PART NO.	NAME OF PART	AMT.
*1	00-449711	Kit - Wifi Module & Antenna (Must replace as set).....	1
2	00-447086	Isolator - Antenna.....	1
3	NS-031-07	Stop Nut 8-32 Hex.....	1
4	SC-129-33	Mach. Screw 8-32 x 3/8 Phil. Pan Hd.....	2
5	00-447087	Bracket - Antenna.....	1
6	00-447108	Clamp P.....	1
7	SD-015-40	Self-Tapping Screw 8-32 x 3/8 Phil. Pan Hd., Type TT.....	1
8	00-448245	Kit - Security Seal (With Security Plate) (Incls. Items 9 thru 12).....	1
9	00-444424	Seal - Wire Roto (8 In.).....	1
10	00-183906	Screw (Special Fil. Hd.).....	1
11	WL-003-12	Lockwasher #8 Helical.....	1
12		Plate - Security (Part of Item 8).....	1
13	SD-015-40	Self-Tapping Screw 8-32 x 3/8 Phil. Pan Hd., Type TT.....	4
14	00-448056	Bracket Assy. (USB Panel Mount).....	1
15	00-448030	Bracket Assy. (Panel Mount).....	1
16	00-443606	Seal - Power / Reset Button.....	1
17	SD-039-75	Self-Tapping Screw 8-32 x 3/8, Type TT (Black).....	3
18	00-447059	Cover - Network.....	1
19	00-447046	Grommet.....	1
20	SD-015-40	Self-Tapping Screw 8-32 x 3/8 Phil. Pan Hd., Type TT.....	1
21	00-448365	Ferrite - Case (Clamp On).....	1
**22	00-448321	Bracket - ARA Board.....	1
23	00-449512	Board - Touchscreen Control.....	1
24	SC-112-42	Mach. Screw 6-32 x 1/2 Phil. Pan Hd.....	5
25	00-450134-00002	Micro SD (Programmed) (16GB) (Version 4.1.100).....	1
26	00-448420	Board - System Control (ARA - Dual).....	1
27	45-000090	Kit - Silex AC Wireless.....	1
28	SC-018-34	Mach. Screw 8-32 x 1/2 Phil. Pan Hd.....	1
29	NS-047-15	Lock Nut 8-32.....	1

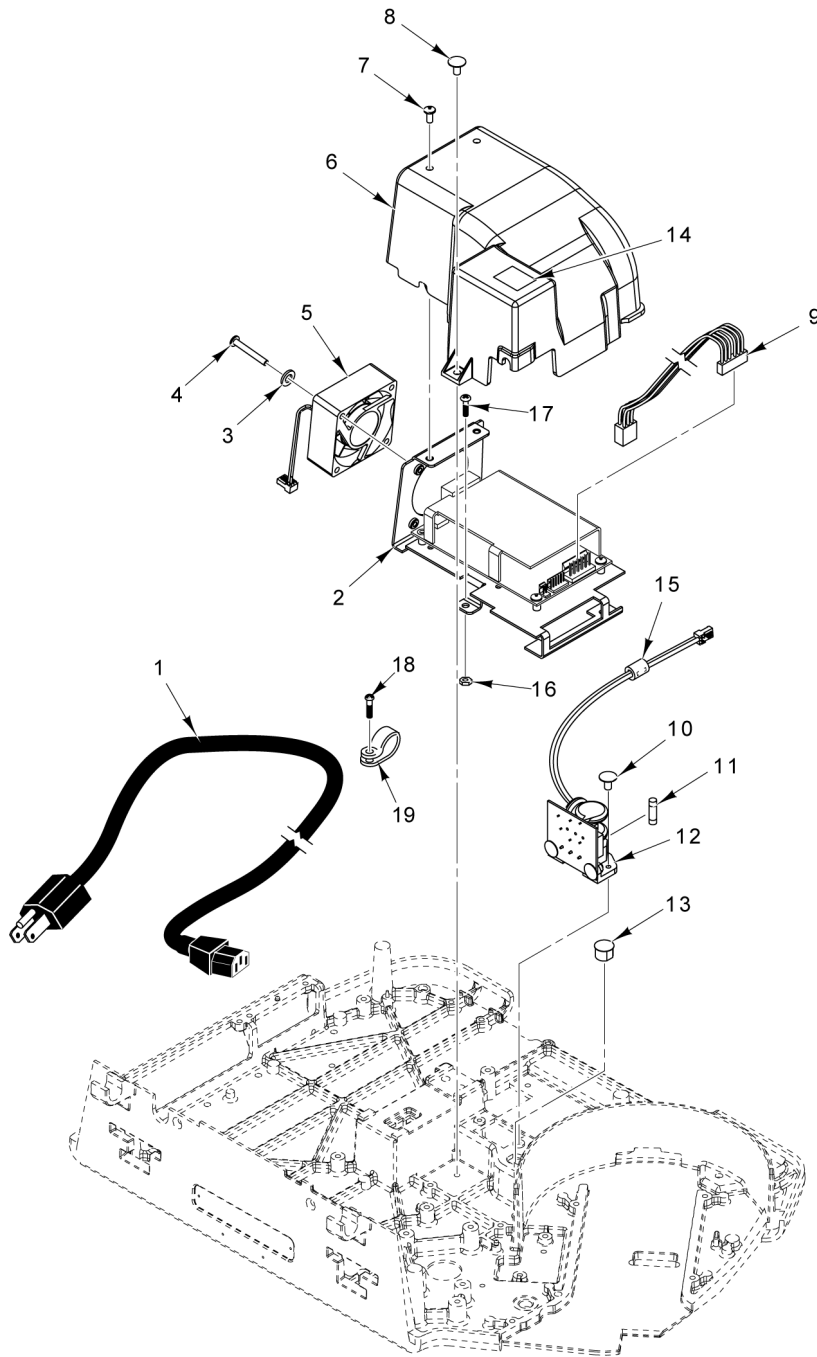
\* Only use with ARA PCB.

\*\* ARA System Control PCB Retrofit Only



**MAIN CIRCUIT COMPONENTS  
(ARK PCB)  
(HTI-5S ONLY)**

ILLUS. PL-61605	PART NO.	NAME OF PART	AMT.
1	00-448245	Kit - Security Seal (With Security Plate) (Incls. Items 2 thru 5).....	1
2	00-183906	Screw (Special Fil. Hd.).....	1
3	WL-003-12	Lockwasher #8 Helical.....	1
4		Plate - Security (Part Of Item 1).....	1
5	00-444424	Seal - Wire Roto (8 In.).....	1
6	SD-015-40	Self-Tapping Screw 8-32 x 3/8 Phil. Pan Hd., Type TT.....	2
7	00-448030	Bracket Assy. (Panel Mount).....	1
8	00-448056	Bracket Assy. (USB Panel Mount).....	1
9	SD-015-40	Self-Tapping Screw 8-32 x 3/8 Phil. Pan Hd., Type TT.....	2
10	00-450011	Module (WiFi).....	1
11	45-000019-00001	Micro SD, Programmed, HTm Series, 32G (Version 5.1.0).....	1
12	45-000025	Kit - WIFI Module 802.11 AC.....	1
13	00-449970-00002	Board - System Control (ARK - Dual).....	1
14	SC-112-42	Mach. Screw 6-32 x 1/2 Phil. Pan Hd.....	5
15	00-448321	Bracket - ARK Board.....	1
16	00-447070	Cover - Connector Assy. (Optional).....	1
17	00-447046	Grommet.....	1
18	SD-039-75	Self-Tapping Screw 8-32 x 3/8, Type TT (Black).....	3
19	00-447059	Cover - Network.....	1
20	00-450390	Control Board Assy. - Fan.....	1
21	00-043284	Fastener - Dual Lock.....	2
22	SC-018-34	Mach. Screw 8-32 x 1/2 Phil. Pan Hd.....	1
23	NS-047-15	Lock Nut 8-32.....	1

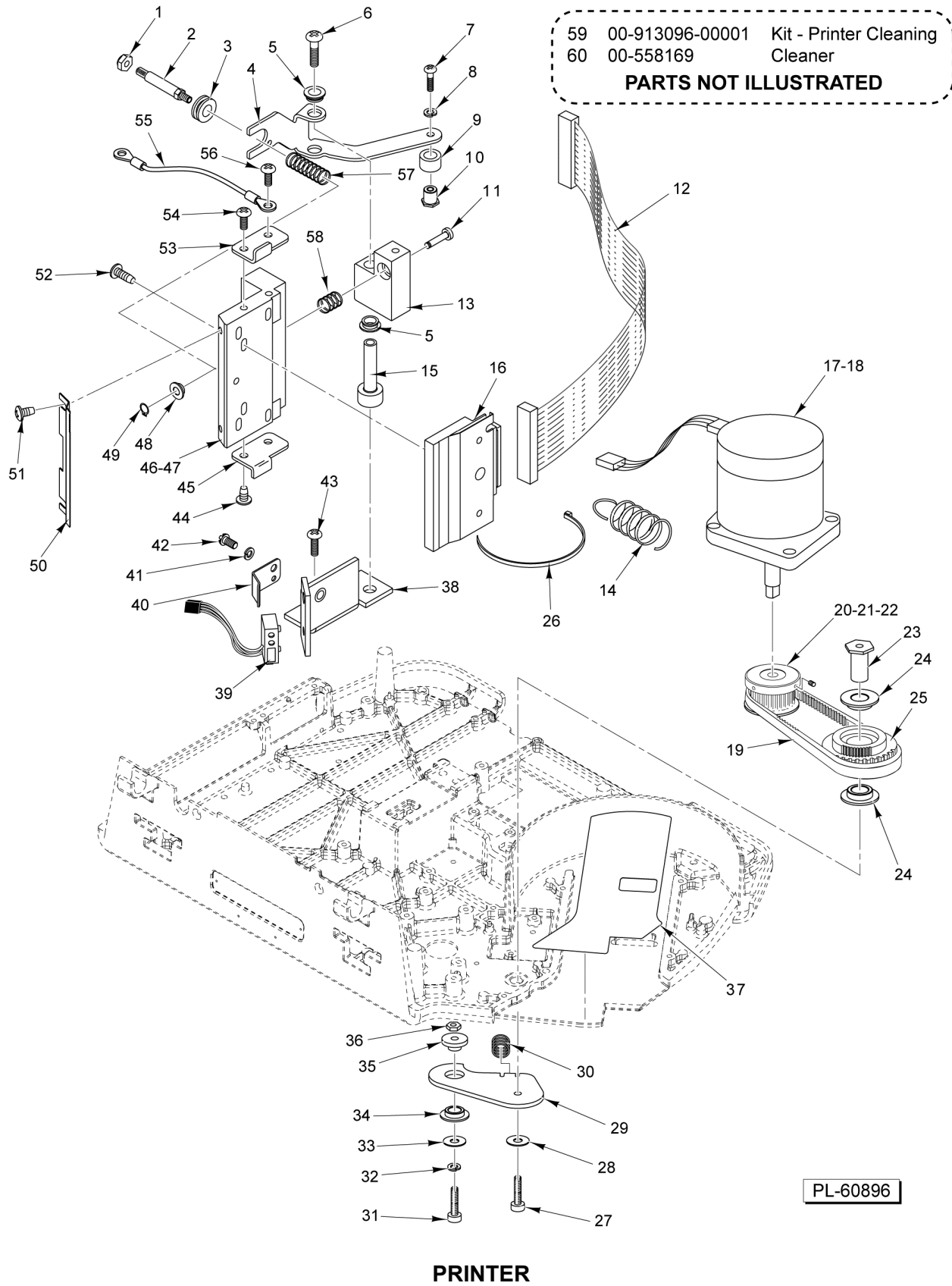


PL-60885

**POWER SUPPLY**

## POWER SUPPLY

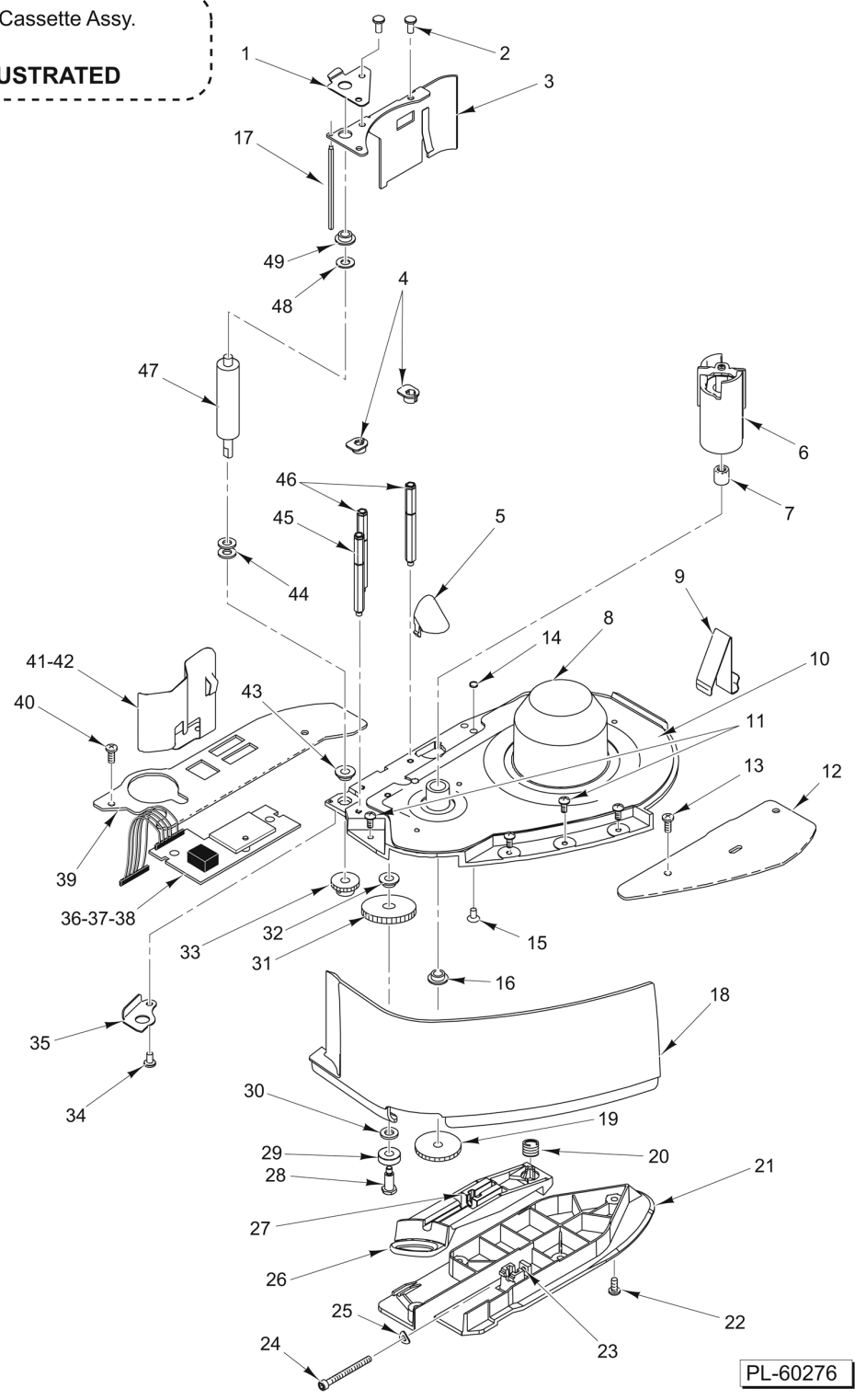
ILLUS.	PART NO.	NAME OF PART	AMT.
PL-60885			
1	00-044479	Cord - Power (120 V.).....	1
2	00-444870-00002	Power Supply & Baffle Assy.....	1
3	WL-008-07	Lockwasher #8 Internal Shakeproof.....	3
4	SC-111-94	Mach. Screw 8-32 x 1-1/4 Phil. Pan Hd.....	3
5	00-444906	Fan Assy.....	1
6	00-444799	Shroud - Power Supply.....	1
7	SC-129-33	Mach. Screw 8-32 x 3/8 Phil. Pan Hd.....	2
8	SD-015-40	Self-Tapping Screw 8-32 x 3/8 Phil. Pan Hd., Type TT.....	1
9	00-444769	Cable Assy. - DC Power.....	1
10	SD-015-38	Self-Tapping Screw 6-32 x 3/8 Phil. Pan Hd., Type TT.....	2
11	FE-025-32	Fuse (250 V., 3.0 Amp.) (SLO) (Power Input Board).....	1
12	00-448290	Board - Power Input (Incls. Item 11).....	1
13	PB-005-28	Plug - Button (1/2 In.).....	1
14	00-047052	Label - Fuse.....	1
15	00-447094	Ferrite (Clamp-On).....	1
16	NS-047-15	Lock Nut 8-32.....	2
17	SD-033-87	Screw 8-32 x 3/4 Pan.....	2
18	SD-015-41	Self-Tapping Screw 8-32 x 1/2 Phil. Pan Hd., Type TT.....	1
19	00-447108	Clamp P.....	1



## PRINTER

ILLUS. PL-60896	PART NO.	NAME OF PART	AMT.
1	NS-031-49	Stop Nut 10-32 Hex (SST).....	1
2	00-043267	Stud - Adjusting.....	1
3	00-043382	Bushing - Stud.....	1
4	00-043299	Bracket - Spring Pivot.....	1
5	00-043253	Bushing - Nyliner.....	2
6	SD-038-05	Self-Tapping Screw 8-32 x 1-3/4 Phil. Pan Hd., Type TT.....	1
7	SC-018-31	Mach. Screw 8-32 x 3/8 Phil. Pan Hd.....	1
8	WL-008-07	Lockwasher #8 Internal Shakeproof.....	1
9	00-043385	Roller - Pivot Arm.....	1
10	00-043386	Retainer - Roller.....	1
11	00-047424	Shaft - Printhead Pivot.....	1
12	00-444846	Cable Assy. - Printhead.....	1
13	00-047423	Pivot Block - Printhead.....	1
14	00-043387	Spring - Extension.....	1
15	00-047441	Sleeve - Pivot.....	1
16	00-448003	Printhead - Thermal (Kyocera).....	1
17	00-440142-00002	Motor Assy. - Stepper.....	1
18	SD-015-40	Self-Tapping Screw 8-32 x 3/8 Phil. Pan Hd., Type TT.....	3
19	00-442823	Belt - Timing.....	1
20	00-442822	Pulley - Take-Up Motor.....	1
21	SC-047-74	Set Screw 8-32 x 1/4 Hdls. Cup Pt.....	2
22	00-512987	Adhesive (Loctite #222, Purple).....	AR
23	00-441758	Shaft - Pulley & Gear.....	1
24	00-043365	Bushing.....	2
25	00-043250	Pulley & Gear Assy. (Incls. Item 24).....	1
26	00-255502	Tie - Cable Locking.....	1
27	SC-092-36	Cap Screw 6-32 x 1/2 Hex Socket Hd.....	1
28	WL-008-02	Lockwasher #6 Internal Shakeproof.....	1
29	00-447373	Plate - Pivot (Incls. Item 34).....	1
30	00-048374	Spring - Printhead Adjusting.....	1
31	SC-111-83	Cap Screw 6-32 x 3/4 Hex Socket Hd.....	1
32	WL-008-02	Lockwasher #6 Internal Shakeproof.....	1
33	WS-019-41	Washer (SST).....	1
34	00-043365	Bushing.....	1
35	00-441760	Bushing - Gear Adjusting.....	1
36	NS-031-03	Stop Nut 6-32 Hex.....	1
37	00-441701	Label - Anti-Friction.....	1
38	00-047442	Bracket - Label Taken Mtg.....	1
39	00-043610	Sensor Assy. - Label Taken.....	1
40	00-043394	Bracket - Label Taken.....	1
41	WL-008-07	Lockwasher #8 Internal Shakeproof.....	1
42	SC-018-31	Mach. Screw 8-32 x 3/8 Phil. Pan Hd.....	1
43	SD-015-40	Self-Tapping Screw 8-32 x 3/8 Phil. Pan Hd., Type TT.....	2
44	SD-015-37	Self-Tapping Screw 6-32 x 1/4 Phil. Pan Hd., Type TT.....	2
45	00-047438	Stop - Printhead Lower.....	1
46	00-442996	Heat Sink and Bushing Assy. (Incls. Item 48).....	1
47	00-519504	Thermo Joint Compound (2 Oz.).....	AR
48	00-043365	Bushing.....	2
49	RR-006-22	Retaining Ring 1/4 In. (SST).....	1
50	00-032887	Tearbar.....	1
51	SD-015-37	Self-Tapping Screw 6-32 x 1/4 Phil. Pan Hd., Type TT.....	2
52	SA-021-46	Screw Assy. M3 x 0.5 x 12 mm Phil. Pan Hd.....	2
53	00-047437	Stop - Printhead Upper.....	1
54	SD-015-37	Self-Tapping Screw 6-32 x 1/4 Phil. Pan Hd., Type TT.....	1
55	00-049396	Wire - Drain (Ground).....	1
56	SD-015-37	Self-Tapping Screw 6-32 x 1/4 Phil. Pan Hd., Type TT.....	1
57	00-043333	Spring - Printhead.....	1
58	00-048374	Spring - Printhead Adjusting.....	1
59	00-913096-00001	Kit - Thermal Printer Cleaning.....	1
60	00-558169	Cleaner (Electronics) (12 Oz. Can).....	AR

50 00-444875-00005 Cassette Assy.  
**PART NOT ILLUSTRATED**



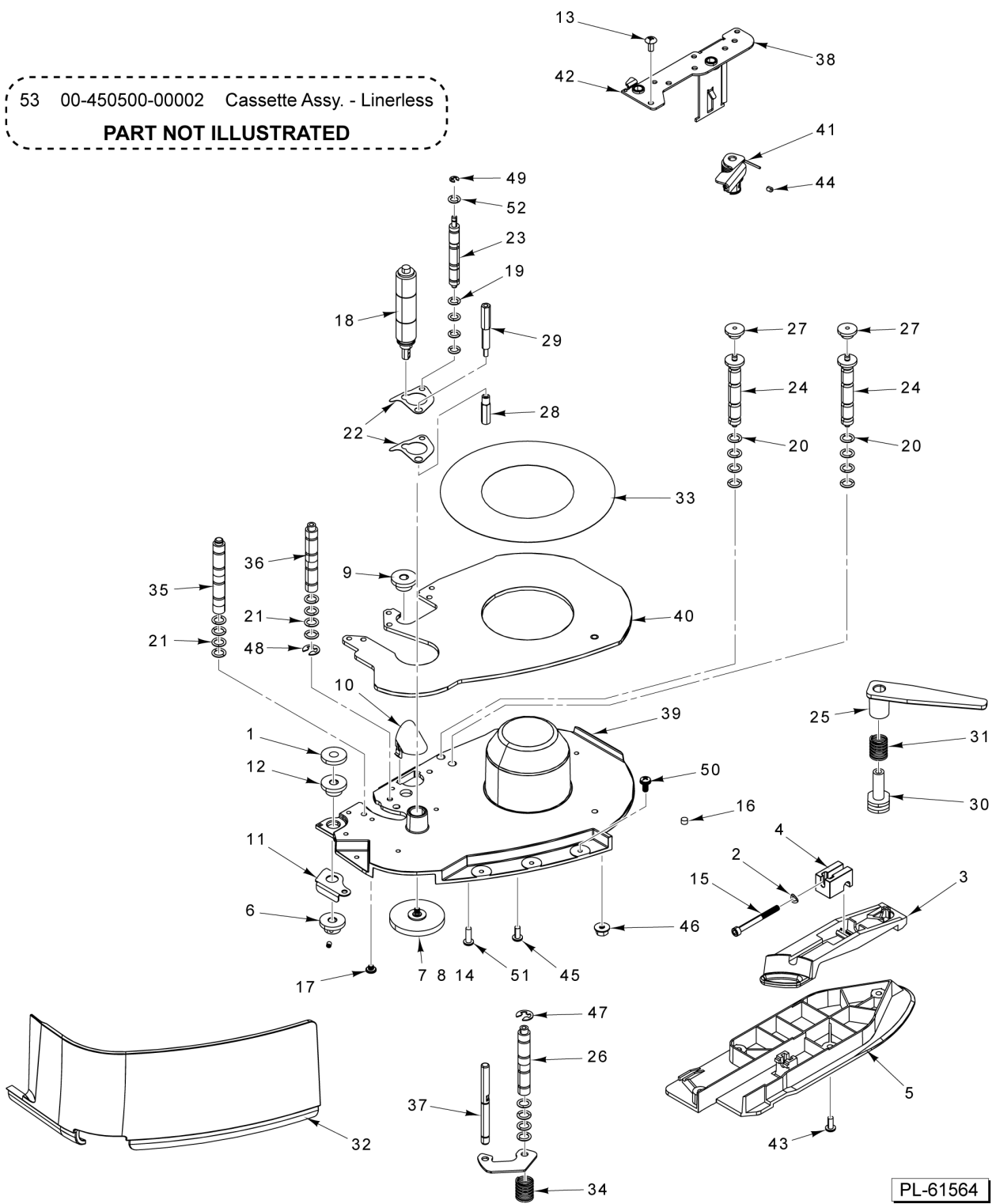
PL-60276

**CASSETTE  
(WIDE LABEL)**

## CASSETTE (WIDE LABEL)

ILLUS.	PART NO.	NAME OF PART	AMT.
PL-60276			
1	00-047456	Plate - Cassette Locating (Upper).....	1
2	00-048489	Mach. Screw 8-32 x 3/8 Phil. Pan Hd.....	3
3	00-047392	Retaining Plate - Roller.....	1
4	00-043369	Guide - Label.....	2
5	00-043367	Reflector.....	1
6	00-444660	Take-Up Assy.....	1
7	00-043396	Needle Bearing.....	1
8	00-043351	Base - Cassette.....	1
9	00-443735	Spring - Cassette Eject.....	1
10	00-440635	Label - Threading Instructions.....	1
11	SA-021-39	Screw Assy. 8-32 x 3/8 Phil. Pan Hd.....	4
12	00-043343	Rail - Guide (RH).....	1
13	SD-015-40	Self-Tapping Screw 8-32 x 3/8 Phil. Pan Hd., Type TT.....	2
14	00-446589	Magnet - Disc.....	1
15	00-446917	Mach. Screw 8-32 x 1/8 Phil. Pan Hd.....	1
16	00-043365	Bushing.....	1
17	00-043357	Peel Bar.....	1
18	00-447051	Cover - Cassette Front.....	1
19	00-043362	Gear - Take-Up (Incls. Set Screw).....	1
20	00-043356	Spring - Cassette Latch.....	1
21	00-043355	Guide - Cassette.....	1
22	SD-015-40	Self-Tapping Screw 8-32 x 3/8 Phil. Pan Hd., Type TT.....	4
23	NS-008-25	Nut 8-32 Sq. Hd.....	1
24	00-441172	Cap Screw 8-32 x 1-3/4 Hex Socket Hd.....	1
25	00-043271	Washer - Wavy.....	1
26	00-043353	Latch - Cassette.....	1
27	00-043354	Pivot Block - Adjust.....	1
28	00-043363	Shaft - Idler.....	1
29	00-131761	Ball Bearing - Double-Shielded Radial.....	1
30	00-043269	Washer.....	1
31	00-032974	Gear - Idler (Incls. Item 32).....	1
32	00-043365	Bushing.....	1
33	00-043360	Gear - Roller (Incls. Set Screw).....	1
34	SC-018-34	Mach. Screw 8-32 x 1/2 Phil. Pan Hd.....	1
35	00-047457	Plate - Cassette Locating (Lower).....	1
36	00-446820	Kit - Media Hall Sensor.....	1
37	00-044631	Insulator - Media Sensor Board.....	1
38	SD-015-40	Self-Tapping Screw 8-32 x 3/8 Phil. Pan Hd., Type TT.....	2
39	00-043270	Rail - Guide (LH).....	1
40	SD-015-40	Self-Tapping Screw 8-32 x 3/8 Phil. Pan Hd., Type TT.....	2
41	00-046479	Spring - Label Guide.....	1
42	SD-015-40	Self-Tapping Screw 8-32 x 3/8 Phil. Pan Hd., Type TT.....	1
43	00-047458	Bearing - Flange.....	1
44	00-043269	Washer.....	2
45	00-047455	Standoff.....	1
46	00-032914	Standoff.....	2
47	00-047506	Roller - Print.....	1
48	00-043269	Washer.....	1
49	00-043365	Bushing.....	1
50	00-444875-00005	Cassette Assy.....	1

53 00-450500-00002 Cassette Assy. - Linerless  
**PART NOT ILLUSTRATED**

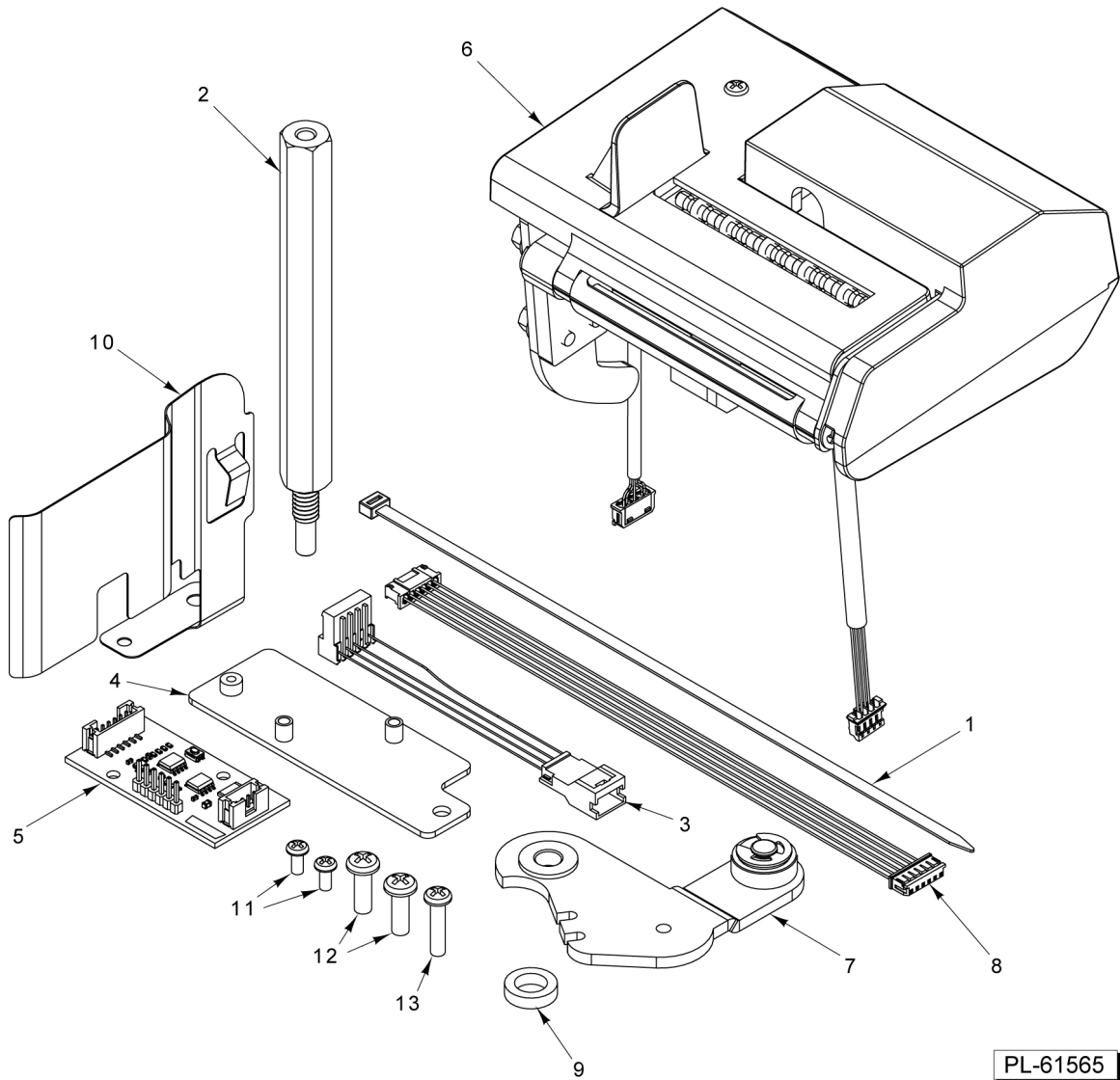


PL-61564

**CASSETTE (LINERLESS)**

## CASSETTE (LINERLESS)

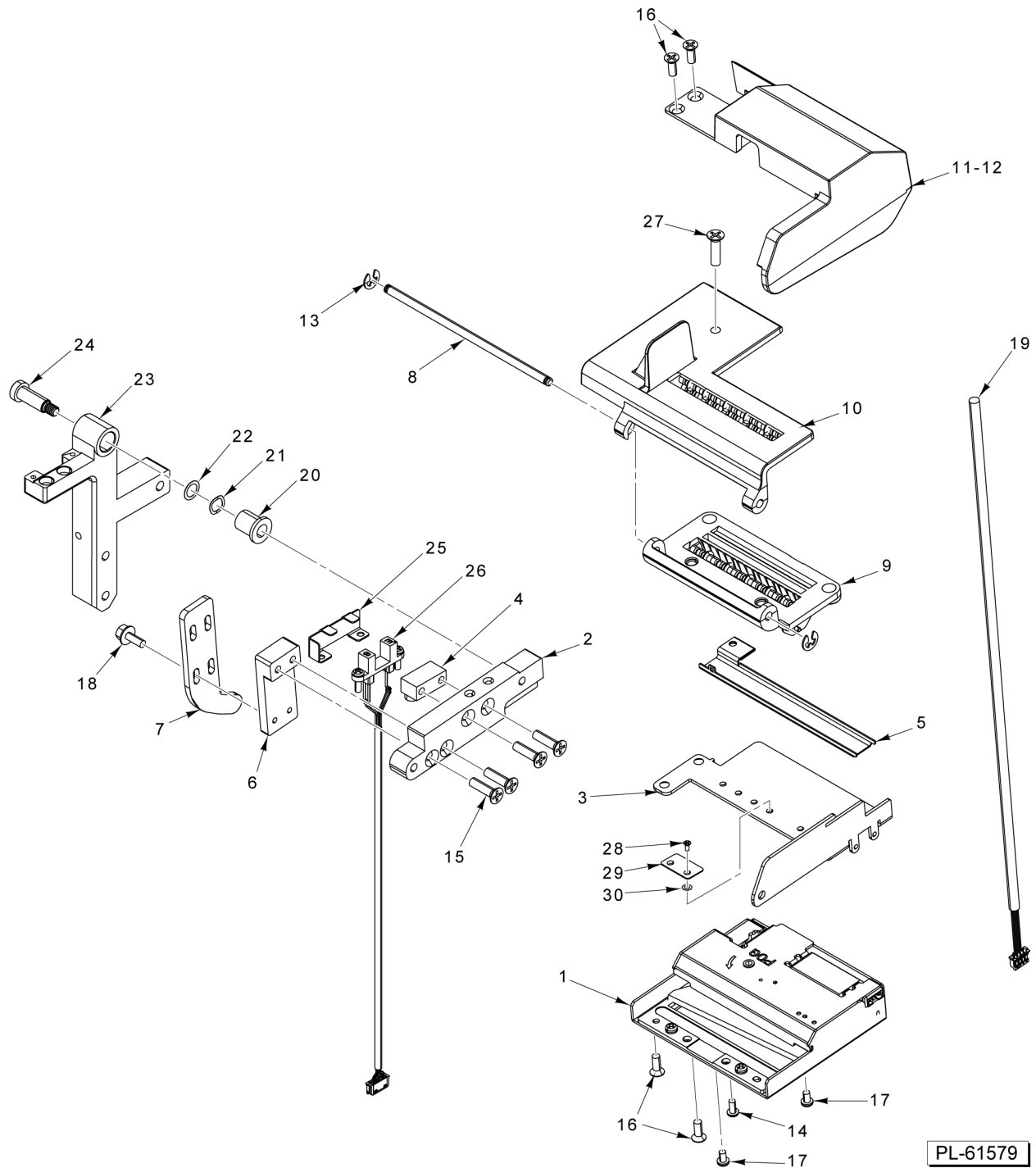
ILLUS. PL-61564	PART NO.	NAME OF PART	AMT.
1	00-043269	Washer.....	4
2	00-043271	Washer - Wavy.....	1
3	00-043353	Latch - Cassette.....	1
4	00-043354	Pivot Block - Adjust.....	1
5	00-043355	Guide - Cassette.....	1
6	00-043360	Gear - Roller (Incls. Set Screw).....	1
7	00-043361	Gear - Idler.....	1
8	00-043363	Shaft - Idler.....	1
9	00-043365	Bushing.....	2
10	00-043367	Reflector.....	1
11	00-047457	Plate - Cassette Locating (Lower).....	1
12	00-047458	Bearing - Flange.....	1
13	00-048489	Mach. Screw 8-32 x 3/8 Phil. Pan Hd.....	5
14	00-131761	Ball Bearing - Double-Shielded Radial.....	1
15	00-441172	Cap Screw 8-32 x 1-3/4 Hex Socket Hd.....	1
16	00-446589	Magnet - Disc.....	1
17	00-446917	Mach. Screw 8-32 x 1/8 Phil. Pan Hd.....	1
18	00-450142	Roller - Print.....	1
19	00-450282-00001	O-Ring.....	4
20	00-450282-00003	O-Ring.....	8
21	00-450282-00005	O-Ring.....	AR
22	00-450289	Guide - Label.....	2
23	00-450291	Roller.....	2
24	00-450294	Shaft.....	3
25	00-450295	Guide - Core.....	1
26	00-450296	Roller.....	1
27	00-450297	Roller.....	2
28	00-450298	Spacer - Lower.....	1
29	00-450299	Stand-Off.....	1
30	00-450302	Pivot - Retainer.....	1
31	00-450303	Spring - Guide.....	1
32	00-450304	Cover.....	1
33	00-450341	Liner - Label Roll.....	1
34	00-450430	Spring - Cassette Latch.....	1
35	00-450437	Spacer.....	3
36	00-450438	Roller.....	6
37	00-450453	Shaft Assy. - Tensioner.....	1
38	00-450466	Lever & Hub Assy.....	1
39	00-450469	Base - Cassette.....	1
40	00-450470	Plate Assy. - Label Spacer.....	1
41	00-450476	Spring - Tensioner.....	1
42	00-450497	Bracket Assy. - Roller.....	1
43	SD-015-40	Self-Tapping Screw 8-32 x 3/8 Phil. Pan Hd., Type TT.....	4
44	SC-132-21	Screw Set 6-32 x 3/16.....	4
45	SC-020-29	Mach. Screw 8-32 x 1/2 Phil. Flat Hd.....	1
46	NS-047-15	Lock Nut 8-32.....	1
47	RR-006-03	Retaining Ring.....	1
48	RR-006-22	Retaining Ring 1/4 In. (SST).....	2
49	RR-011-69	Retaining Ring.....	6
50	SA-021-39	Screw Assy. 8-32 x 3/8 Phil. Pan Hd.....	4
51	SC-018-34	Mach. Screw 8-32 x 1/2 Phil. Pan Hd.....	3
52	45-000023	Guide - Disk.....	1
53	00-450500-00002	Cassette Assy. - Linerless (Incls. Items 1 thru 52).....	1



**LABEL CUTTER KIT**

**LABEL CUTTER KIT**

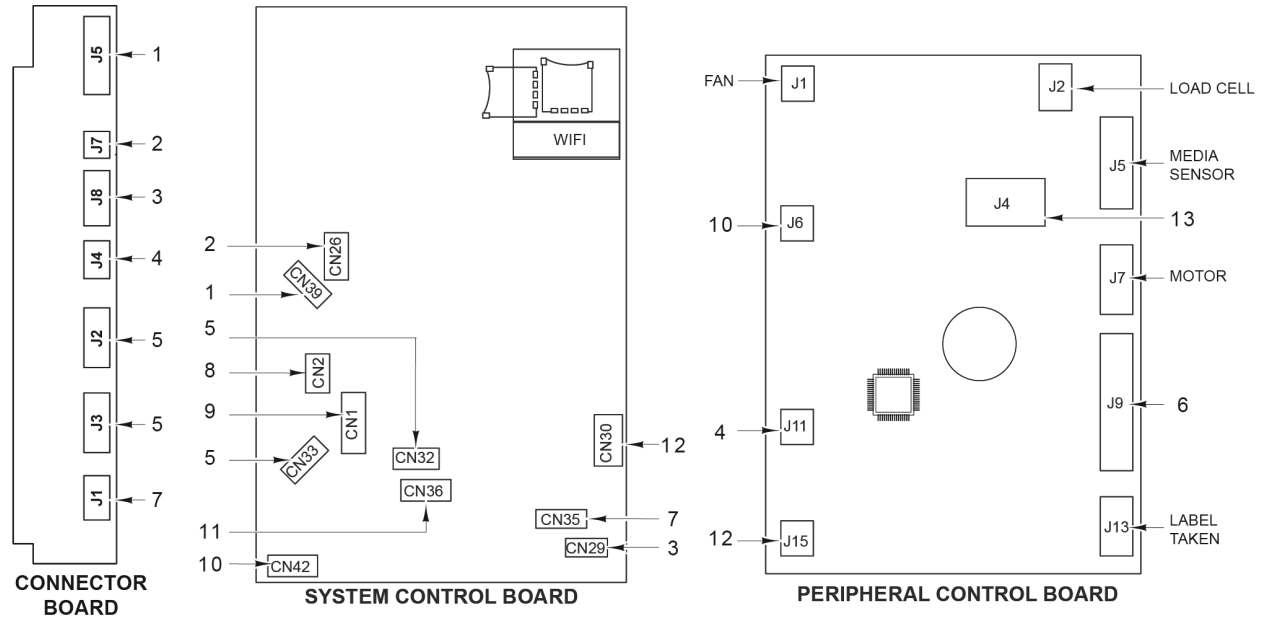
ILLUS.	PART NO.	NAME OF PART	AMT.
PL-61565			
1	00-255502	Tie - Cable Locking.....	1
2	00-449394	Standoff.....	1
3	00-450039	Cable Assy. (LTS Adapter).....	1
4	00-450167	Plate Assy. - Cutter Board.....	1
5	00-450170	Board Assy. - Cutter.....	1
6	45-000045	Cutter Assy. (Incls. Sensor & Power Cable) (With Self Serve UL Safety Features) .....	1
7	00-450230	Label Reversing Assy.....	1
8	00-450312	Cable Assy. (Cutter Control).....	1
9	00-450343	Restricting Ring.....	1
10	00-450463	Spring - Lable Guide.....	1
11	SC-018-68	Mach. Screw 4-40 x 1/4 Phil. Pan Hd.....	2
12	SD-015-41	Self-Tapping Screw 8-32 x 1/2 Phil. Pan Hd., Type TT.....	2
13	SC-113-37	Mach. Screw 6-32 x 5/8 Phil Pan Hd.....	1



**LABEL CUTTER ASSEMBLY**

### LABEL CUTTER ASSEMBLY

ILLUS. PL-61579	PART NO.	NAME OF PART	AMT.
1	00-450202	Cutter.....	1
2	00-450203	Block - Base Pivot.....	1
3	00-450204	Housing - Cutter.....	1
4	00-450205	Block - Stop.....	1
5	00-450206	Wireway.....	1
6	00-450207	Block - Hook Mounting.....	1
7	00-450208	Hook - Anti-Reverse.....	1
8	00-450209	Pin - Pivot.....	1
9	00-450231	Infeed Assy.....	1
10	45-000055	Outfeed Assy. (Self Service).....	1
11	00-450240	Sensor Cover Assy. (Incls. Item 12).....	1
12	00-450040	Sensor Assy.....	1
13	RR-011-69	Retaining Ring.....	2
14	SC-018-68	Mach. Screw 4-40 x 1/4 Phil. Pan Hd.....	1
15	SC-022-10	Mach. Screw 8-32 x 5/8 Slotted Flat Hd. (SST).....	4
16	SC-022-79	Mach. Screw 6-32 x 3/8 Phil. Flat Hd. (SST).....	4
17	SC-124-98	Mach. Screw M3 x 0.5 x 5mm Phil. Pan Hd.....	2
18	SC-133-12	Mach. Screw Special 6-32 x 3/8.....	4
19	00-450314	Cable Assy. (Cutter).....	1
20	00-450224	Bushing (Bronze).....	1
21	00-450493	Washer - Wavy.....	1
22	00-450344	Shim - Cutter Pivot.....	1
23	00-450201	Block - Cutter Mount.....	1
24	00-450225	Screw - Shoulder.....	1
25	00-450237	Bracket - Interlock Shield.....	1
26	00-450313	Sensor Assy. - Cutter Interlock.....	1
27	SC-133-26	Screw, Mach. 6-32 x 1/2 (Black).....	1
28	SC-122-97	Mach. Screw 4-40 x 3/16 Phil. Pan Hd.....	2
29	45-000054	Plate Assy., Infeed Lock (Incls. Items 28 & 30).....	1
30	45-000052	Washer - Lock.....	2



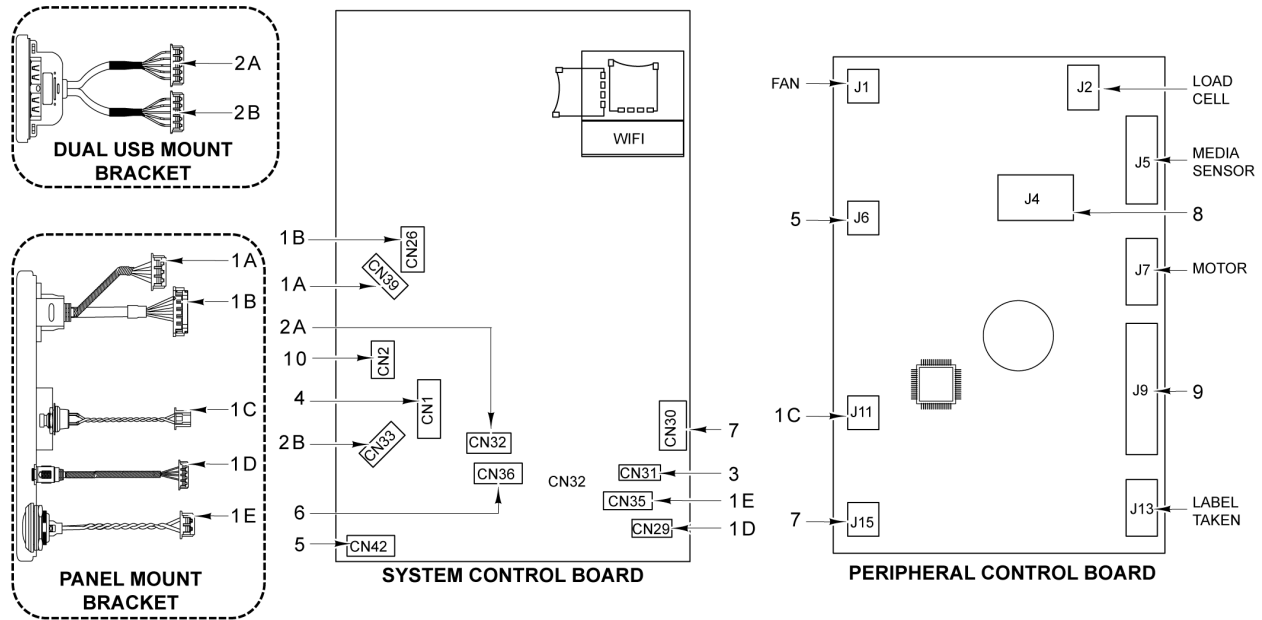
ITEM	CABLE PN	CONNECTOR BOARD CONNECTOR	SYS CNTR BOARD CONNECTOR	PERIPHERAL BOARD CONNECTOR	FUNCTION (COMPONENT)
1	00-447524	J5	CN39	NA	ETHERNET - DATA (CABLE)
2	00-447028	J7	CN26	NA	ETHERNET - LED (CABLE)
3	00-447029	J8	CN29	NA	AUDIO (CABLE)
4	00-447025	J4	NA	J11	SERVICE SWITCH (CABLE)
5	00-447024	J2	CN32	NA	USB - HUB (CABLE)
		J3	CN33	NA	USB - HUB (CABLE)
6	00-444846	NA	NA	J9	PRINthead DATA (CABLE)
7	00-447026	J1	CN35	NA	REBOOT / SHUTDOWN SWITCH (CABLE)
8	00-447032	NA	CN2	NA	CUSTOMER DISPLAY (CABLE)
9	00-447095	NA	CN1	NA	OPERATOR DISPLAY (CABLE)
10	00-447023	NA	CN42	J6	24 VDC POWER (CABLE)
11	00-447167	NA	CN36	NA	TOUCHSCREEN (CABLE)
12	00-447544	NA	CN30	J15	USB - HOST (CABLE)
13	00-444769	NA	NA	J4	DC POWER (CABLE)

PL-65164

**CABLES - CONNECTOR BOARD  
(SYSTEM CONTROL / PERIPHERAL BOARD)**

**CABLES - CONNECTOR BOARD  
(SYSTEM CONTROL / PERIPHERAL BOARD)**

ILLUS.	PART NO.	NAME OF PART	AMT.
PL-65164			
1	00-447524	Cable Assy. - Ethernet Data.....	1
2	00-447028	Cable Assy. - Ethernet LED.....	1
3	00-447029	Cable Assy. - Audio.....	1
4	00-447025	Cable Assy. - Service Switch.....	1
5	00-447024	Cable Assy. - USB Hub.....	2
6	00-444846	Cable Assy. - Printhead Data.....	1
7	00-447026	Cable Assy. - Reboot Switch.....	1
8	00-447032	Cable Assy. - Customer Display (Elevated).....	1
9	00-447095	Cable Assy. - Operator Display.....	1
10	00-447023	Cable Assy. - 24 VDC Power.....	1
11	00-447167	Cable Assy. - Touchscreen.....	1
12	00-447544	Cable Assy. - USB (Host).....	1
13	00-444769	Cable Assy. - DC Power.....	1



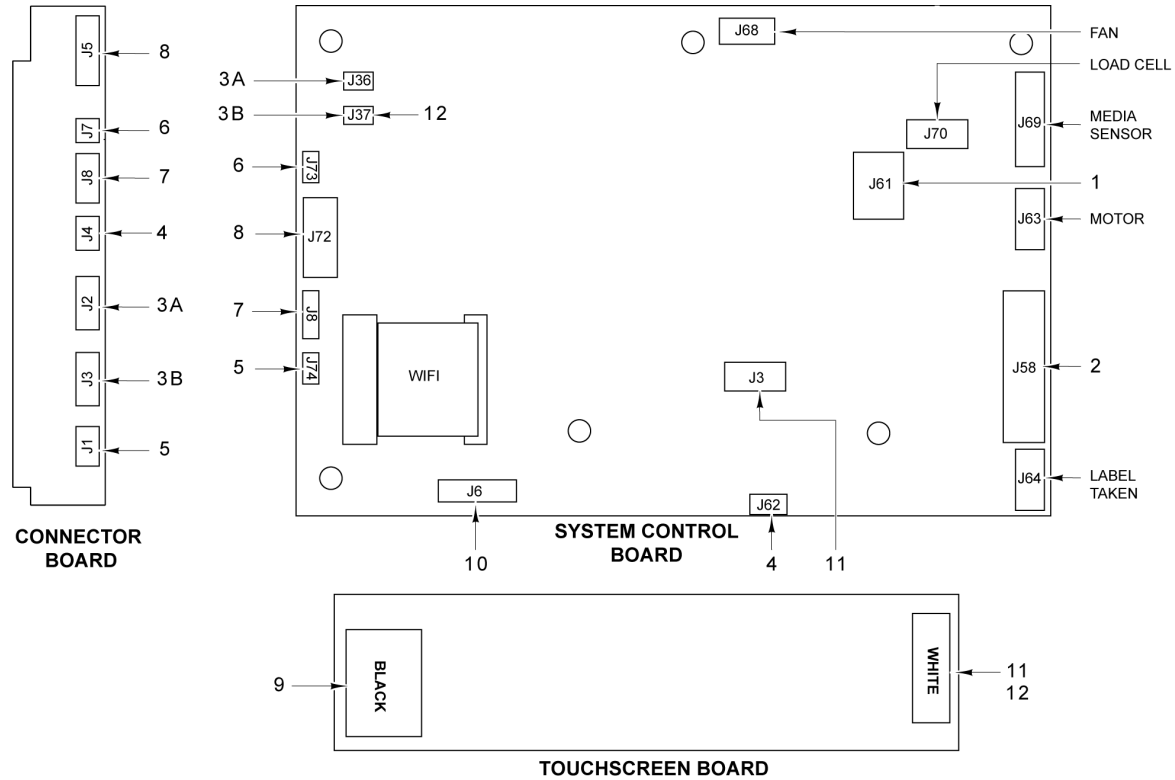
ITEM	CABLE PN	SYS CNTRL BOARD CONNECTOR	PERIPHERAL BOARD CONNECTOR	FUNCTION (COMPONENT)
1A	00-448030	CN39	NA	ETHERNET - DATA (PANEL MOUNT BRACKET CABLE)
1B		CN26	NA	ETHERNET - LED (PANEL MOUNT BRACKET CABLE)
1C		NA	J11	SERVICE SWITCH (PANEL MOUNT BRACKET CABLE)
1D		CN29	NA	AUDIO (PANEL MOUNT BRACKET)
1E		CN35	NA	REBOOT / SHUTDOWN SWITCH (PANEL MOUNT BRACKET CABLE)
2A	00-448056	CN33	NA	USB (DUAL USB MOUNTING BRACKET CABLE)
2B		CN32	NA	USB (DUAL USB MOUNTING BRACKET CABLE)
3	00-448195	CN31	NA	USB - SCANNER (CABLE)
4	00-448199	CN1	NA	OPERATOR DISPLAY (CABLE)
5	00-447023	CN42	J6	24 VDC POWER (CABLE)
6	00-448198	CN36	NA	TOUCHSCREEN (CABLE)
7	00-447544	CN30	J15	USB - HOST (CABLE)
8	00-444769	NA	J4	DC POWER (CABLE)
9	00-444846	NA	J9	PRINTEHAD DATA (CABLE)
10	00-447032	CN2	NA	CUSTOMER DISPLAY (CABLE)

PL-65179

**CABLES - PANEL MOUNT  
(SYSTEM CONTROL / PERIPHERAL BOARD)**

**CABLES - PANEL MOUNT  
(SYSTEM CONTROL / PERIPHERAL BOARD)**

ILLUS. PL-65179	PART NO.	NAME OF PART	AMT.
1	00-448030	Bracket Assy. (Panel Mount).....	1
2	00-448056	Bracket Assy. (USB Panel Mount).....	1
3	00-448195	Cable Assy. - USB (Scanner).....	1
4	00-448199	Cable Assy. - Operator Display.....	1
5	00-447023	Cable Assy. - 24 VDC Power.....	1
6	00-448198	Cable Assy. - Touchscreen.....	1
7	00-447544	Cable Assy. - USB (Host).....	1
8	00-444769	Cable Assy. - DC Power.....	1
9	00-444846	Cable Assy. - Printhead Data.....	1
10	00-447032	Cable Assy. (Customer Display).....	1



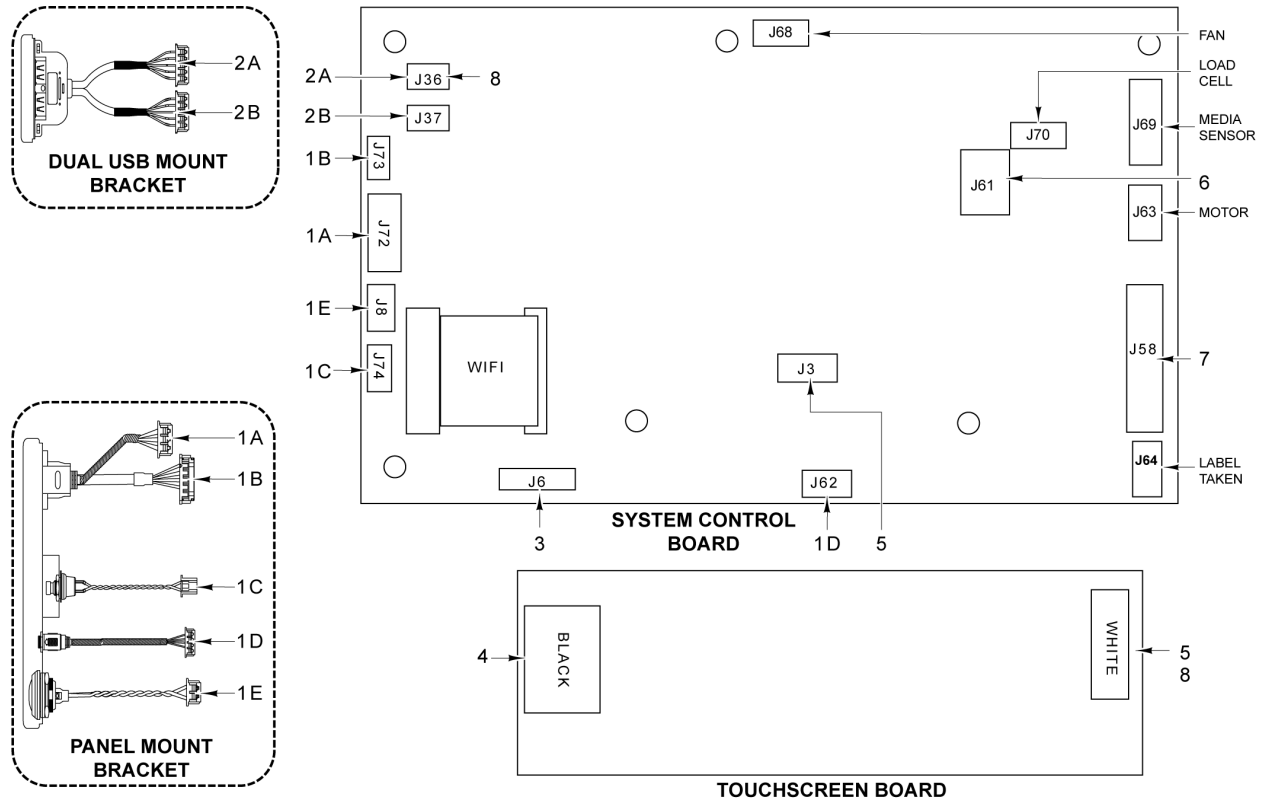
ITEM	CABLE PN	CONNECTOR BOARD CONNECTOR	SYS CNTR BOARD CONNECTOR	TOUCH SCREEN BOARD CONNECTOR	FUNCTION (COMPONENT)
1	00-444769	NA	J61	NA	DC POWER (CABLE)
2	00-444846	NA	J58	NA	PRINthead DATA (CABLE)
3A	00-447024	J2	J36	NA	USB (CABLE) (Before S/N 451198632)
3B		J3	J37	NA	USB (CABLE)
4	00-447025	J4	J62	NA	SERVICE SWITCH (CABLE)
5	00-447026	J1	J74	NA	REBOOT / SHUTDOWN SWITCH (CABLE)
6	00-447028	J7	J73	NA	ETHERNET - LED (CABLE)
7	00-447029	J8	J8	NA	AUDIO (CABLE)
8	00-447524	J5	J72	NA	ETHERNET - DATA (CABLE)
9	00-448198	NA	NA	BLACK	TOUCHSCREEN (CABLE)
10	00-448199	NA	J6	NA	OPERATOR DISPLAY (CABLE)
11	00-449483	NA	J3	WHITE	TOUCHSCREEN (CABLE) (Before S/N 451198632)
12	00-449484	NA	J36	WHITE	TOUCHSCREEN (CABLE) (Starting S/N 451198632)

PL-65180

**CABLES - CONNECTOR BOARD  
(ARA SYSTEM CONTROL BOARD)**

**CABLES - CONNECTOR BOARD  
(ARA SYSTEM CONTROL BOARD)**

ILLUS. PL-65180	PART NO.	NAME OF PART	AMT.
1	00-444769	Cable Assy. - DC Power.....	1
2	00-444846	Cable Assy. - Printhead Data.....	1
3	00-447024	Cable Assy. - USB.....	2
4	00-447025	Cable Assy. - Service.....	1
5	00-447026	Cable Assy. - Reboot / Shutdown.....	1
6	00-447028	Cable Assy. - Ethernet LED.....	1
7	00-447029	Cable Assy. - Audio.....	1
8	00-447524	Cable Assy. - Ethernet Data.....	1
9	00-448198	Cable Assy. - Touchscreen.....	1
10	00-448199	Cable Assy. - Operator Display.....	1
11	00-449483	Cable Assy. - USB Touchscreen (Before S/N 451198632).....	1
12	00-449864	Cable Assy. USB to Touchscreen Brd. (Starting S/N 451198632).....	1



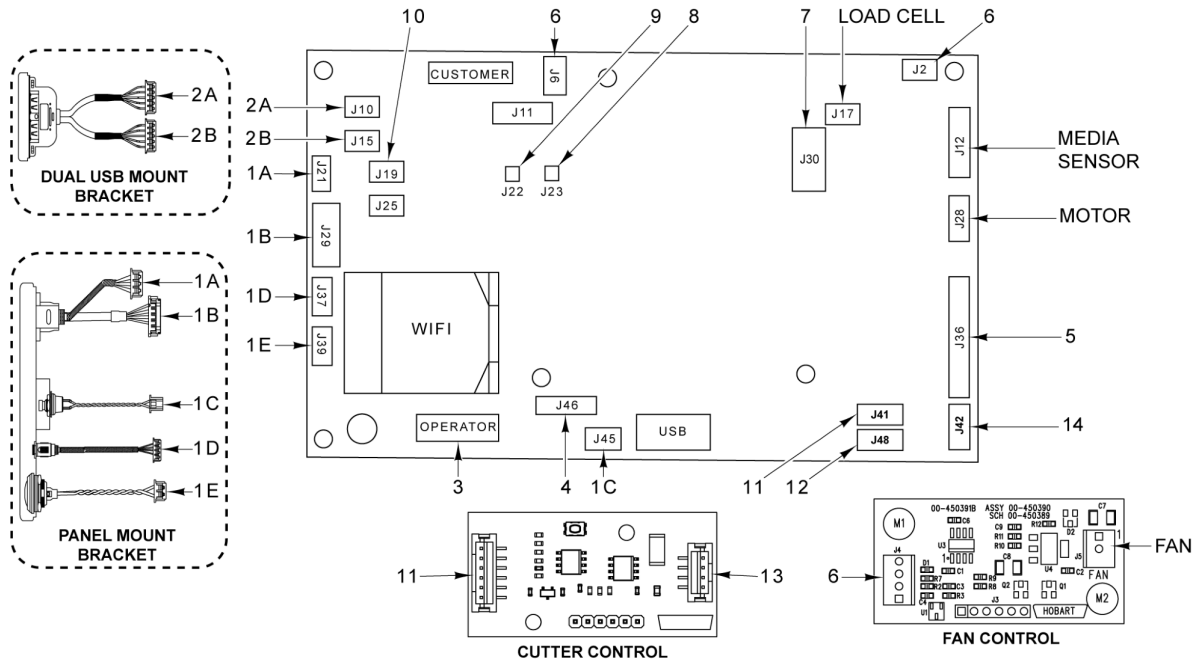
ITEM	CABLE PN	SYS CNTR BOARD CONNECTOR	TOUCH SCREEN BOARD CONNECTOR	FUNCTION (COMPONENT)
1A	00-448030	J72	NA	ETHERNET - DATA (PANEL BRACKET MOUNT CABLE)
1B		J73		ETHERNET - LED (PANEL BRACKET MOUNT CABLE)
1C		J73		SERVICE SWITCH (PANEL MOUNT BRACKET CABLE )
1D		J8		AUDIO (PANEL MOUNT BRACKET)
1E		J74		REBOOT / SHUTDOWN SWITCH (PANEL MOUNT BRACKET CABLE)
2A	00-448056	J36	NA	USB (DUAL USB MOUNTING BRACKET) (Before S/N 451198632)
2B		J37		USB (DUAL USB MOUNTING BRACKET)
3	00-448199	J6	NA	OPERATOR DISPLAY (CABLE)
4	00-448198	NA	BLACK	TOUCHSCREEN (CABLE)
5	00-449483	J3	WHITE	TOUCHSCREEN (CABLE) (Before S/N 451198632)
6	00-444769	J61	NA	DC POWER (CABLE)
7	00-444846	J58	NA	PRINTHEAD DATA (CABLE)
8	00-449864	J36	NA	TOUCHSCREEN (CABLE) (Starting S/N 451198632)

PL-65181

**CABLES - PANEL MOUNT  
(ARA SYSTEM CONTROL BOARD)**

**CABLES - PANEL MOUNT  
(ARA SYSTEM CONTROL BOARD)**

<b>ILLUS.</b>	<b>PART NO.</b>	<b>NAME OF PART</b>	<b>AMT.</b>
PL-65181			
1	00-448030	Bracket Assy. (Panel Mount).....	1
2	00-448056	Bracket Assy. (USB Panel Mount).....	1
3	00-448199	Cable Assy. - Operator Display.....	1
4	00-448198	Cable Assy. - Touchscreen.....	1
5	00-449483	Cable Assy. - USB Touchscreen (Before S/N 451198632).....	1
6	00-444769	Cable Assy. - DC Power.....	1
7	00-444846	Cable Assy. - Printhead Data.....	1
8	00-449864	Cable Assy. USB to Touchscreen Brd. (Starting S/N 451198632).....	1



ITEM	CABLE PN	CONNECTOR	FUNCTION (COMPONENT)
1A	00-448030	J21	ETHERNET - DATA (PANEL BRACKET MOUNT CABLE)
1B		J29	ETHERNET - LED (PANEL BRACKET MOUNT CABLE)
1C		J45	SERVICE SWITCH (PANEL MOUNT BRACKET CABLE )
1D		J37	AUDIO (PANEL MOUNT BRACKET CABLE)
1E		J39	REBOOT / SHUTDOWN SWITCH (PANEL MOUNT BRACKET CABLE)
2A	00-448056	J10	USB (DUAL USB MOUNTING BRACKET)
2B		J15	USB (DUAL USB MOUNTING BRACKET)
3	00-448199	OPERATOR	OPERATOR DISPLAY (CABLE) (SS DISPLAY)
4	00-448198	J46	TOUCHSCREEN (CABLE) (SS DISPLAY)
5	00-444846	J36	PRINthead DATA (CABLE)
6	00-450405	J2/J6	FAN CONTROL CABLE ASSY.
7	00-444769	J30	DC POWER (CABLE)
8	00-447030	J23	SPEAKER ASSY. (RT CHANNEL)
9	00-447030	J22	SPEAKER ASSY. (LT CHANNEL)
10	00-449884	J19	CABLE ASSY. MOLEX TO MICRO USB (ML-29448 ONLY)
11	00-450312	J41/J2 (Cut Brd.)	CUTTER CONTROL CABLE ASSEMBLY
12	00-450313	J48	CUTTER INTERLOCK
13	00-450314	J1 (Cut Brd.)	CUTTER CABLE ASSY.
14	00-450039	J42	CUTTER ASSY. (LABEL TAKEN SENSOR CABLE ADAPTER)

PL-61606

**CABLES - PANEL MOUNT  
(ARK SYSTEM CONTROL BOARD)**

**CABLES - PANEL MOUNT  
(ARK SYSTEM CONTROL BOARD)**

ILLUS.	PART NO.	NAME OF PART	AMT.
PL-61606			
1	00-448030	Bracket Assy. (Panel Mount).....	1
2	00-448056	Bracket Assy. (USB Panel Mount).....	1
3	00-448199	Cable Assy. - LVDS (Operator Display) (SS Display).....	1
4	00-448198	Cable Assy. - Touchscreen (SS Display).....	1
5	00-444846	Cable Assy. - Printhead.....	1
6	00-450405	Cable Assy. - Fan Control.....	1
7	00-444769	Cable Assy. - DC Power.....	1
8	00-447030	Speaker Assy. (RT Channel).....	1
9	00-447030	Speaker Assy. (LT Channel).....	1
10	00-449884	Cable Assy. (USB Scanner) (ML-29448).....	1
11	00-450312	Cable Assy. (Cutter Control).....	1
12	00-450313	Sensor Assy. - Cutter Interlock.....	1
13	00-450314	Cable Assy. (Cutter).....	1
14	00-450039	Cable Assy. (LTS Adapter).....	1

