



CATALOG OF REPLACEMENT PARTS

HUV SERIES DELI DISPLAY CASE



HUV3P ML-132065 3-PAN, FULL SERVICE
ML-132066 3-PAN, SELF SERVICE
ML-132080 3-PAN, FULL SERVICE



HUV4P ML-132067 4-PAN, FULL SERVICE
ML-132068 4-PAN, SELF SERVICE
ML-132081 4-PAN, FULL SERVICE

HUV5P ML-132069 5-PAN, FULL SERVICE
ML-132070 5-PAN, SELF SERVICE
ML-132082 5-PAN, FULL SERVICE

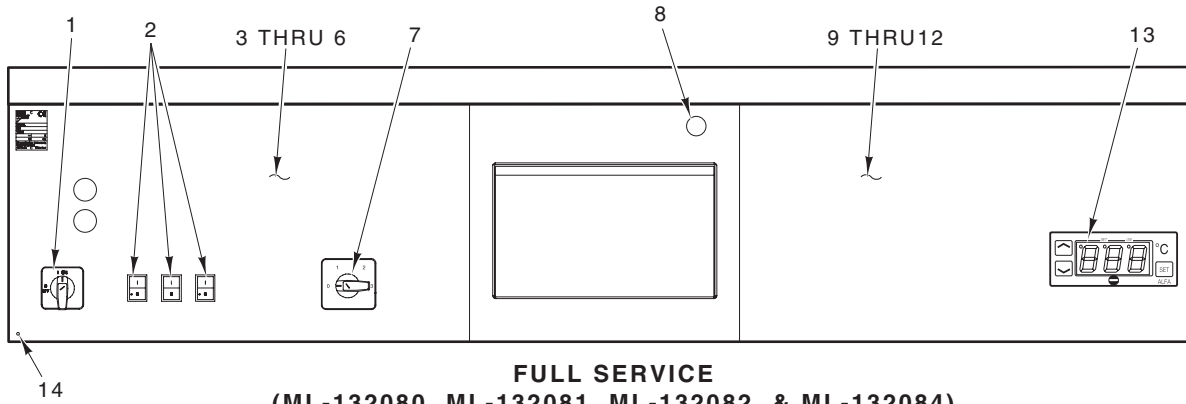
HUV7P ML-132084 7-PAN, FULL SERVICE

HUV3P/2 ML-132071 3-PAN, FULL SERVICE/
2-PAN, SELF SERVICE

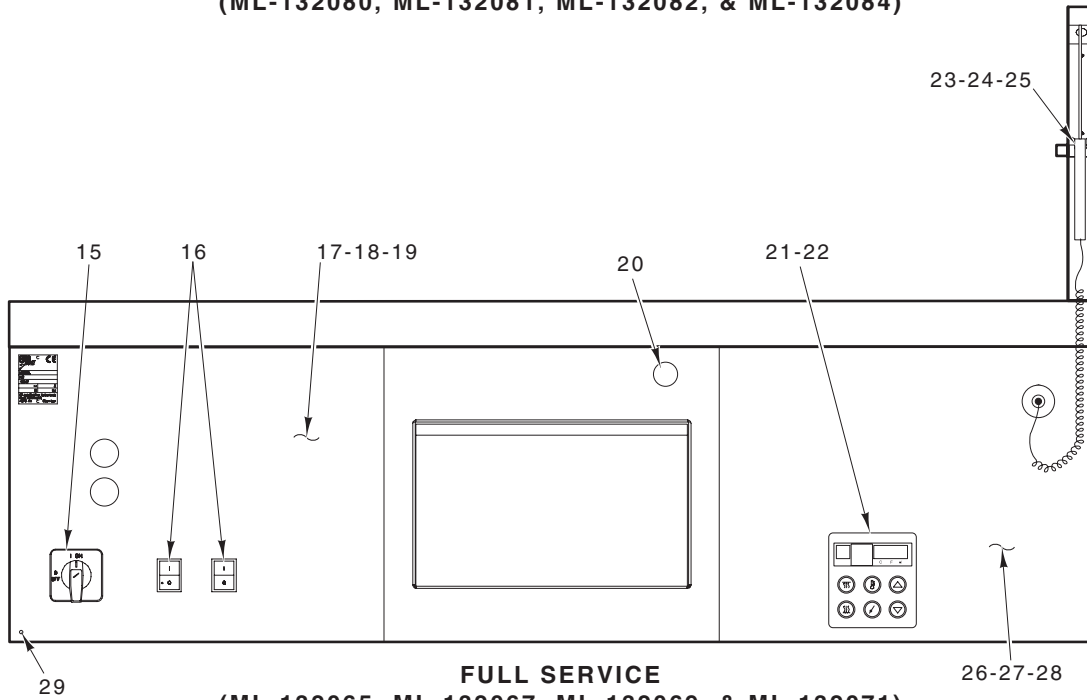
Contents

5	Controls
7	Electrical Components
9	Well Components
11	Retainer Slide Doors
13	Front and Side Glass
15	Heating, Cooling, and Humidity Components
17	Lights and Cutting Board
19	Display Case Base

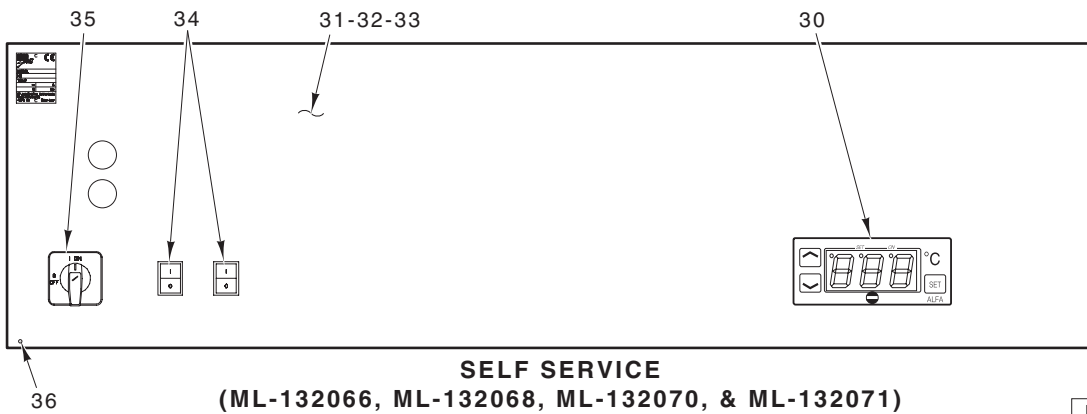
HUV SERIES DELI DISPLAY CASE REPLACEMENT PARTS



FULL SERVICE
(ML-132080, ML-132081, ML-132082, & ML-132084)



FULL SERVICE
(ML-132065, ML-132067, ML-132069, & ML-132071)



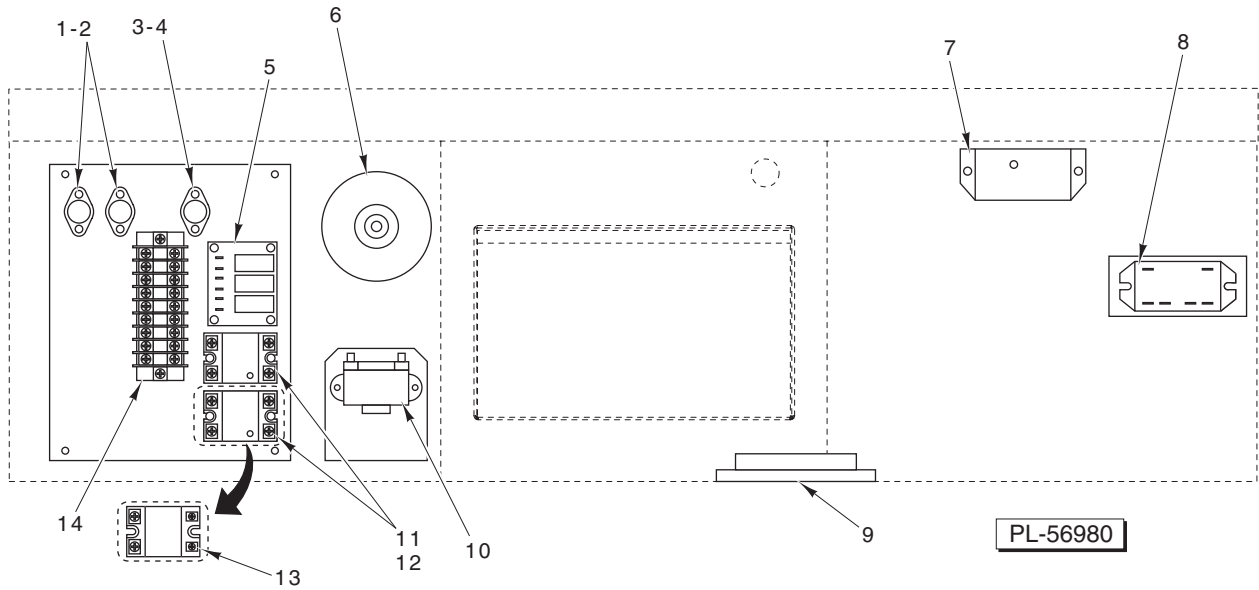
SELF SERVICE
(ML-132066, ML-132068, ML-132070, & ML-132071)

PL-56972

CONTROLS

CONTROLS

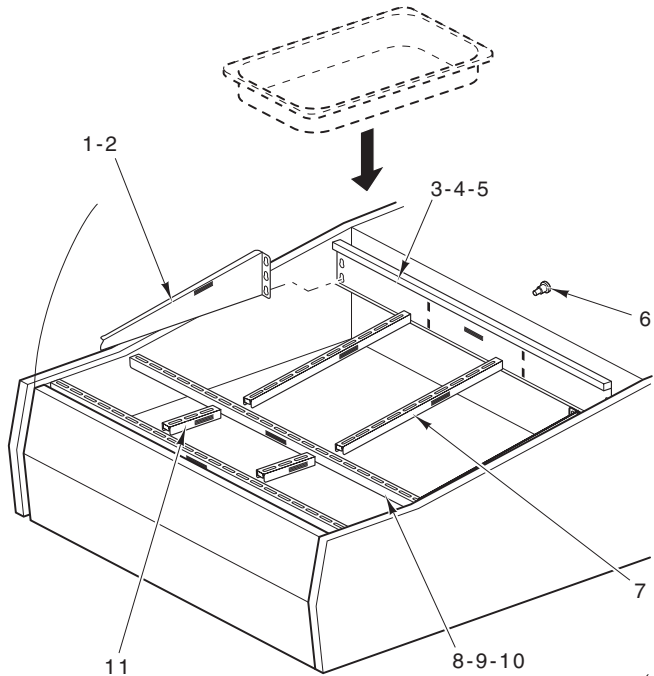
ILLUS.	PART NO.	NAME OF PART	AMT.
	PL-56972		
1	00-877707-00028	Switch – Rotary (Main Power)	1
2	00-877707-00029	Switch – Toggle (Lights & Heater)	3
3	00-877707-00328	Panel – Left (HUV3P)	1
4	00-877707-00428	Panel – Left (HUV4P)	1
5	00-877707-00528	Panel – Left (HUV5P)	1
6	00-877707-00717	Panel – Left (HUV7P)	1
7	00-877707-00093	Switch – Rotary (Humidity Tray Heat)	1
8	00-877707-00015	Lamp – Water Level Low	1
9	00-877707-00329	Panel – Right (HUV3P)	1
10	00-877707-00429	Panel – Right (HUV4P)	1
11	00-877707-00529	Panel – Right (HUV5P)	1
12	00-877707-00718	Panel – Right (HUV7P)	1
13	00-877707-00004	Controller (Includes Sensor)	1
14	00-877707-00061	Mach. Screw M5 X 12 Hex Button Hd.	1
15	00-877707-00028	Switch – Rotary (Main Power)	1
16	00-877707-00029	Switch – Toggle (Lights & Heater)	2
17	00-877707-00317	Panel – Left (HUV3P)	1
18	00-877707-00417	Panel – Left (HUV4P)	1
19	00-877707-00517	Panel – Left (HUV5P)	1
20	00-877707-00015	Lamp – Water Level Low	1
21	00-877707-00002	Keypad – Controller (Full Service)	1
22	00-877707-00001	Controller (Full Service) (Behind Panel)	1
23	00-877707-00013	Probe – Food (Full Service)	1
24	00-877707-00059	Holder – Food Probe	1
25	00-877707-00060	Mach. Screw M5 X 10 Hex Button Hd.	2
26	00-877707-00318	Panel – Right (HUV3P)	1
27	00-877707-00418	Panel – Right (HUV4P)	1
28	00-877707-00518	Panel – Right (HUV5P)	1
29	00-877707-00061	Mach. Screw M5 X 12 Hex Button Hd.	1
30	00-877707-00004	Controller (Includes Sensor)	1
31	00-877707-00319	Panel (HUV3P)	1
32	00-877707-00419	Panel (HUV4P)	1
33	00-877707-00519	Panel (HUV5P)	1
34	00-877707-00029	Switch – Rotary (Lights & Heater)	2
35	00-877707-00028	Switch – Rotary (Main Power)	1
36	00-877707-00061	Mach. Screw M5 X 12 Hex Bottom Hd.	AR



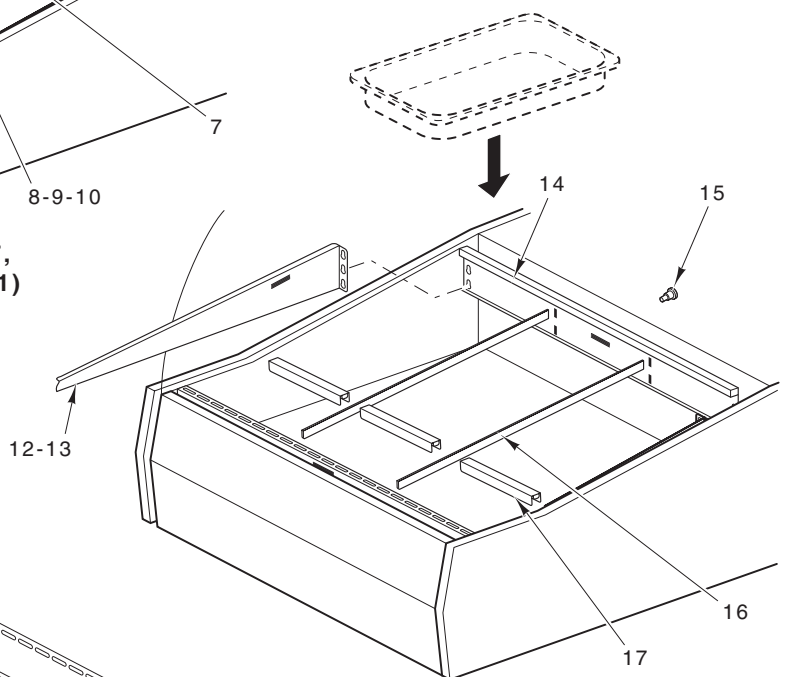
ELECTRICAL COMPONENTS

ELECTRICAL COMPONENTS

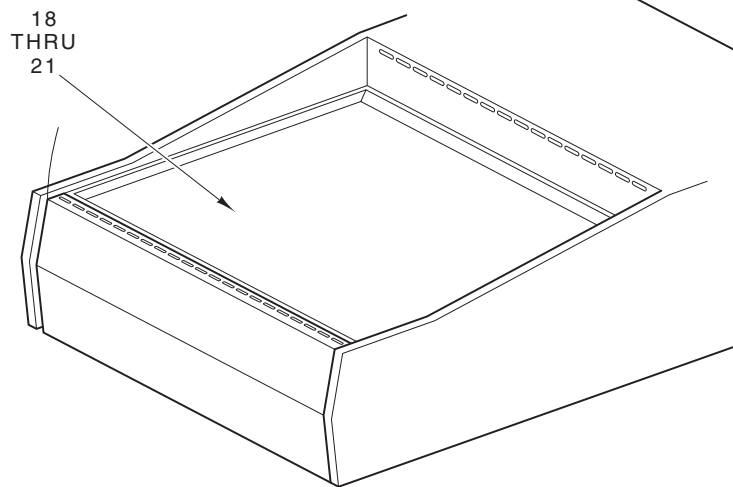
ILLUS.	PART NO.	NAME OF PART	AMT.
PL-56980			
1	00-877707-00023	Fuse (1.5 Amp.) (For 230 V. Secondary)	2
2	00-356840	Holder – Fuse	2
3	00-877707-00024	Fuse (2.5 Amp.) (For 12 V. Secondary)	1
4	00-356840	Holder – Fuse	1
5	00-877707-00027	Board – Line Filter	AR
6	00-877707-00021	Transformer (208 V./230 V.)	1
7	00-877707-00005	Board – Water Level Control (Full Service)	1
8	00-877707-00016	Contactora – Humidity Element	1
9	00-877707-00033	Ballast – Light	2
10	00-877707-00022	Transformer (230 V./12 V.) (Self Service)	1
11	00-877707-00019	Relay – Solid State (25 Amp.) (Well/Humidity Elements) (ML-132065, ML-123067, ML-132069, & ML-132071)	AR
12	00-877707-00098	Relay – Electromechanical (ML-132080, ML-132081, ML-132082, & ML-132084)	2
13	00-877707-00020	Relay – Solid State (25 Amp.) (Well Elements) (Self Service)	1
14	00-425900-00143	Block – Terminal (9-Position) (In Control Box)	AR
	00-422905-00097	Fuse (10 Amp.)	1
	00-877707-00032	Bus Bar – Ground	AR
	00-877707-00030	Block – Terminal (In Field Wiring Box) 1-2-3	1
	00-877707-00056	Block – Terminal (In Field Wiring Box) 4-5-6	1



FULL SERVICE
 (ML-132065, ML-132067,
 ML-132069, & ML-132071)



FULL SERVICE
 (ML-132080, ML-132081,
 ML-132082, & ML-132084)



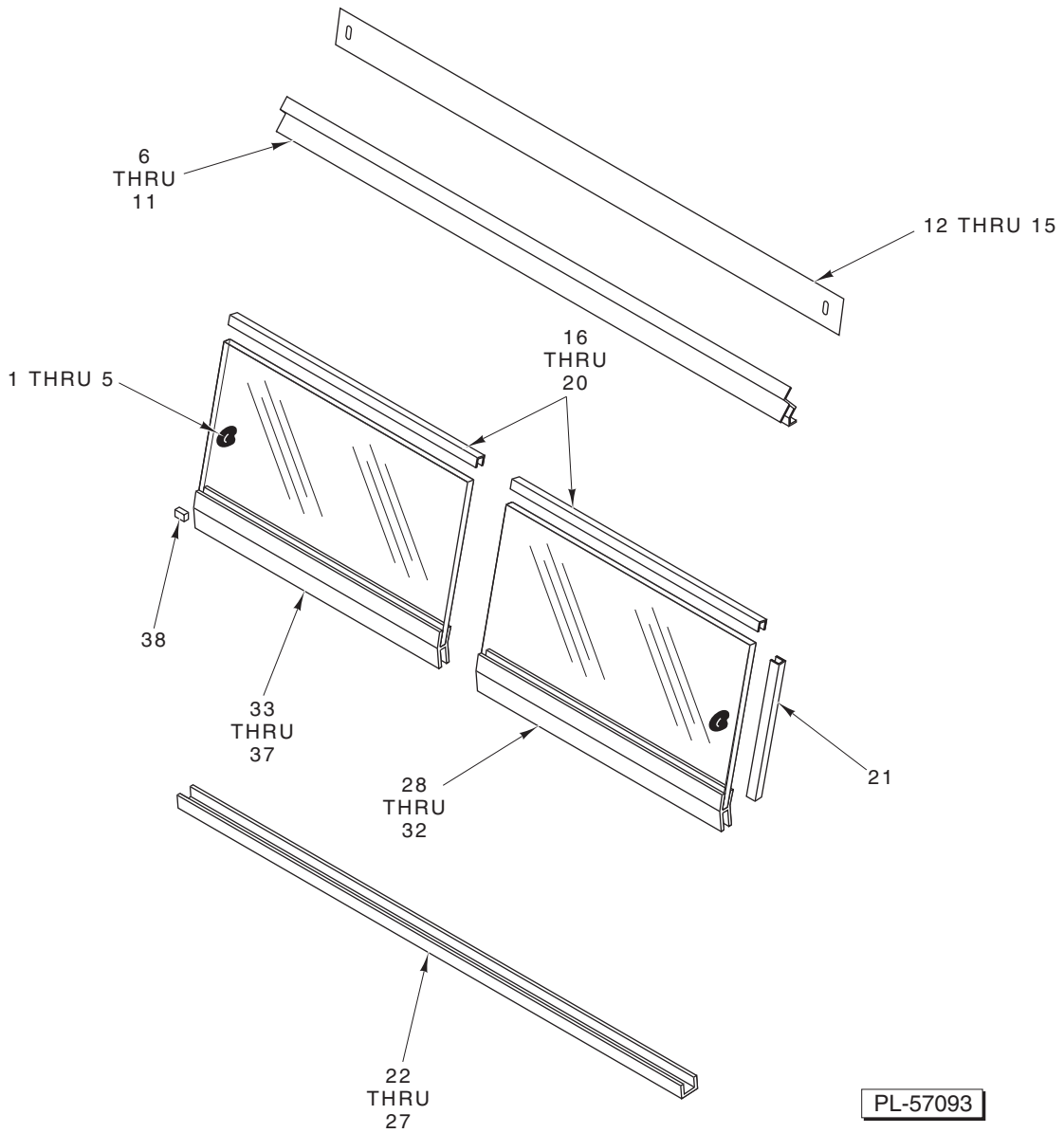
SELF SERVICE
 (ML-132066, ML-132068,
 ML-132070, & ML-132071)

PL-56971

WELL COMPONENTS

WELL COMPONENTS

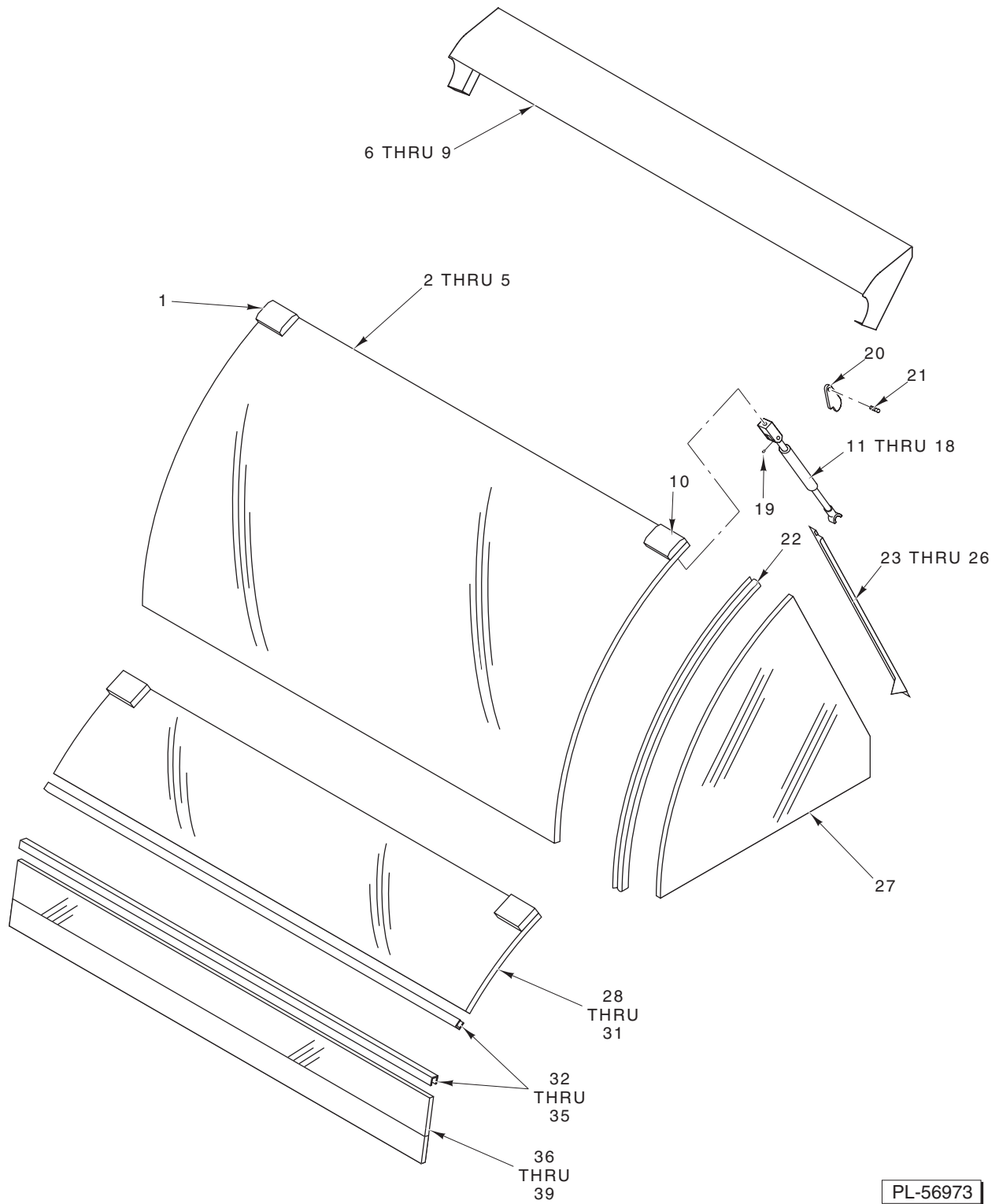
ILLUS.	PART NO.	NAME OF PART	AMT.
PL-56971			
1	00-877707-00048	Plate – Adjustment (Side) 0-10 Deg. (LH) (ML-132065, ML-132067, ML-132069, & ML-132071)	1
2	00-877707-00049	Plate – Adjustment (Side) 0-10 Deg. (RH) (ML-132065, ML-132067, ML-132069, & ML-132071)	1
3	00-877707-00307	Plate – Adjustment (Back) (HUV3P & HUV3P/2)	1
4	00-877707-00407	Plate – Adjustment (Back) (HUV4P)	1
5	00-877707-00507	Plate – Adjustment (Back) (HUV5P)	1
6	00-877707-00038	Pin – Pan Frame	AR
7	00-877707-00041	Bar – Divider (Full Size Pan Length) (ML-132065, ML-132067, ML-132069, & ML-132071) .	AR
8	00-877707-00306	Bar – Divider (3 Zone Width) (ML-132065 & ML-132071)	AR
9	00-877707-00406	Bar – Divider (4 Zone Width) (ML-132067)	AR
10	00-877707-00506	Bar – Divider (5 Zone Width) (ML-132069)	AR
11	00-877707-00042	Bar – Divider (1/3 Pan Length) (ML-132065, ML-132067, ML-132069, & ML-132071)	AR
12	00-877707-00101	Plate – Adjustment (Side) 0-10 Deg. (LH) (ML-132080, ML-132081, ML-132082, & ML-132084)	1
13	00-877707-00102	Plate – Adjustment (Side) 0-10 Deg. (RH) (ML-132080, ML-132081, ML-132082, & ML-132084)	1
14	00-877707-00707	Plate – Adjustment (Back) (HUV7P)	1
15	00-877707-00038	Pin – Pan Frame	AR
16	00-877707-00100	Bar – Divider (1-1/3 Pan Length) (ML-132080, ML-132081, ML-132082, & ML-132084)	1
17	00-877707-00040	Bar – Divider (1 Zone Width)	1
18	00-877707-00305	Plate – Bottom (SST) (HUV3P)	1
19	00-877707-00405	Plate – Bottom (SST) (HUV4P)	1
20	00-877707-00505	Plate – Bottom (SST) (HUV5P)	AR
21	00-877707-00605	Plate – Bottom (SST) (HUV3P/2)	AR
	00-877707-00039	Bar – (Divider 2/3 Pan Length) (Optional) (Full Service) (ML-132065, ML-132067, ML-132069, & ML-132071)	AR
	00-118363	Logo – Hobart 4 In. (Mylar)	1



RETAINER SLIDE DOORS

RETAINER SLIDE DOORS

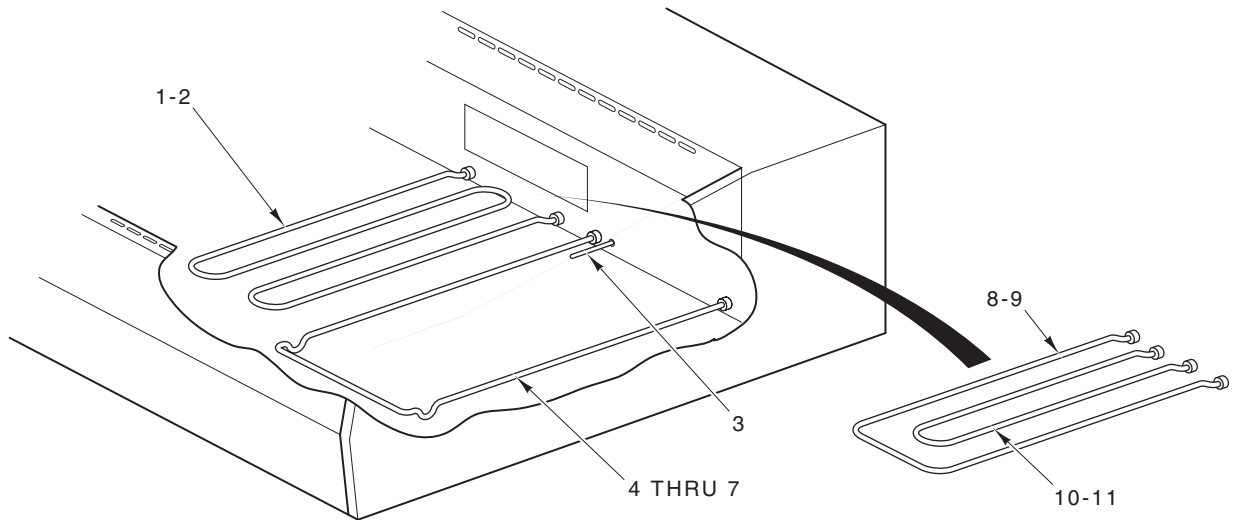
ILLUS.	PART NO.	NAME OF PART	AMT.
PL-57093			
1	00-877707-00058	Knob – Slide Door	AR
2	00-357553-00104	Screw	2
3	00-358521-00042	Washer	2
4	00-877707-00089	Bracket – Door Handle	AR
5	00-877707-00090	Bumper – Rubber	AR
6	00-877707-00320	Track – Upper (HUV3P & HUV3P/2 Full Service)	2
7	00-877707-00420	Track – Upper (HUV4P)	2
8	00-877707-00520	Track – Upper (HUV5P)	2
9	00-877707-00620	Track – Upper (HUV3P/2 Self Service)	2
10	00-877707-00720	Track – Upper (HUV7P)	2
11	00-877707-00060	Mach. Screw M5 X 10 Hex Button Hd.	AR
12	00-877707-00322	Slide Vent (HUV3P & HUV3P/2 Full Service)	2
13	00-877707-00422	Slide Vent (HUV4P Full Service)	2
14	00-877707-00522	Slide Vent (HUV5P Full Service)	2
15	00-877707-00722	Slide Vent (HUV7P Full Service)	2
16	00-877707-00315	Strip – Clear (For Door Top) (HUV3P & HUV3P/2 Full Service)	2
17	00-877707-00415	Strip – Clear (For Door Top) (HUV4P)	2
18	00-877707-00515	Strip – Clear (For Door Top) (HUV5P)	2
19	00-877707-00615	Strip – Clear (For Door Top) (HUV3P/2 Self Service)	2
20	00-877707-00715	Strip – Clear (For Door Top) (HUV7P)	4
21	00-877707-00037	Strip – Clear (For Side of Door)	2
22	00-877707-00321	Track – Lower (HUV3P & HUV3P/2 Full Service)	2
23	00-877707-00421	Track – Lower (HUV4P)	2
24	00-877707-00521	Track – Lower (HUV5P)	2
25	00-877707-00621	Track – Lower (HUV3P/2 Self Service)	2
26	00-877707-00721	Track – Lower (HUV7P)	2
27	00-422905-00059	Mach. Screw M5 X 8	AR
28	00-877707-00314	Door – Sliding (Mirror) (RH) (HUV3P) (HUV3P/2 Full Service)	1
29	00-877707-00414	Door – Sliding (Mirror) (RH) (HUV4P)	1
30	00-877707-00514	Door – Sliding (Mirror) (RH) (HUV5P)	1
31	00-877707-00614	Door – Sliding (Mirror) (RH) (HUV3P/2) (Self Service)	1
32	00-877707-00714	Door – Sliding (Mirror) (RH) (HUV7P)	2
33	00-877707-00313	Door – Sliding (Mirror) (LH) (HUV3P) (HUV3P/2 Full Service)	1
34	00-877707-00413	Door – Sliding (Mirror) (LH) (HUV4P)	1
35	00-877707-00513	Door – Sliding (Mirror) (LH) (HUV5P)	1
36	00-877707-00613	Door – Sliding (Mirror) (LH) (HUV3P/2) (Self Service)	1
37	00-877707-00713	Door – Sliding (Mirror) (LH) (HUV7P)	2
38	00-877707-00055	Block – Slide (For Door) (Nylon)	AR



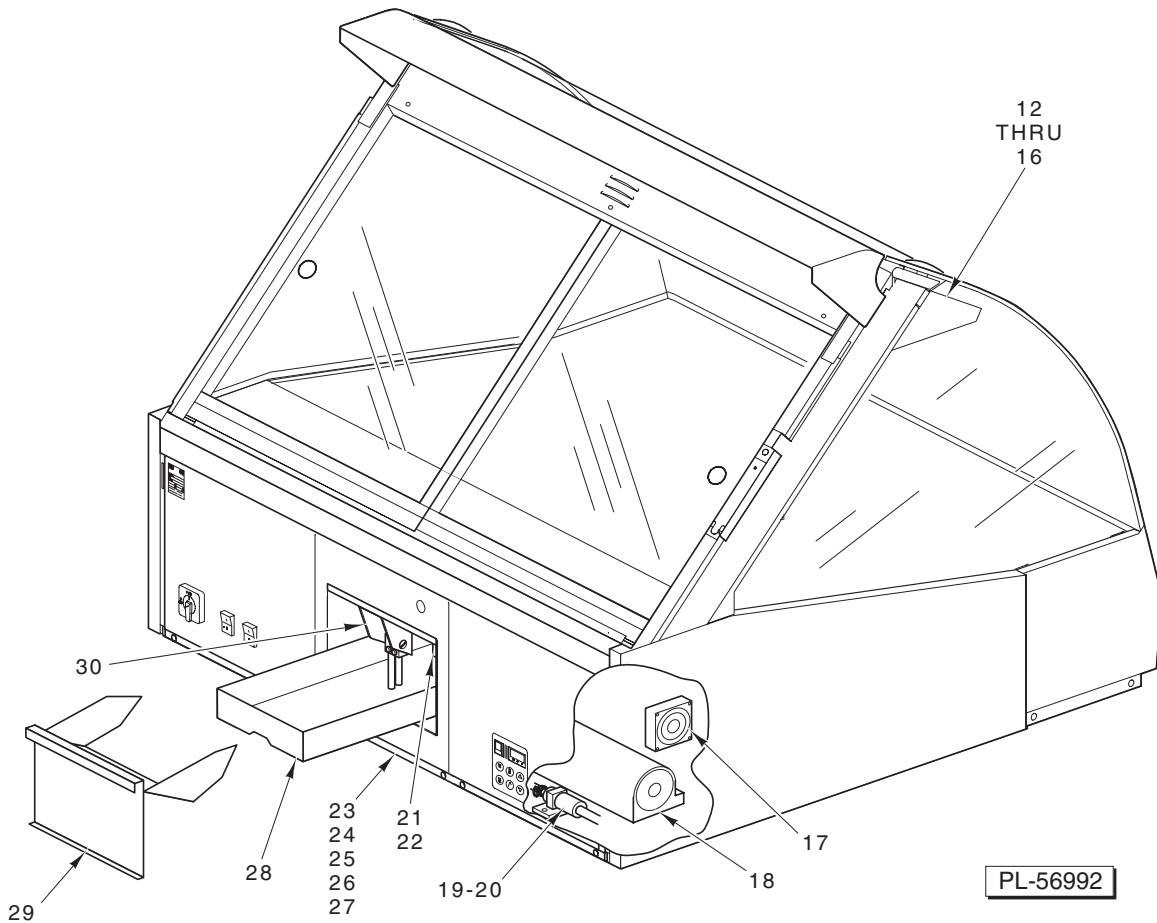
FRONT AND SIDE GLASS

FRONT AND SIDE GLASS

ILLUS.	PART NO.	NAME OF PART	AMT.
	PL-56973		
1	00-877707-00062	Cylinder Lift Mounting Assy. (Right)	1
2	00-877707-00309	Glass – Front (Canopy) (HUV3P & HUV3P/2) (Full Service)	1
3	00-877707-00409	Glass – Front (Canopy) (HUV4P) (Full Service)	1
4	00-877707-00509	Glass – Front (Canopy) (HUV5P) (Full Service)	1
5	00-877707-00709	Glass – Front (Canopy) (HUV7P) (Full Service)	2
6	00-877707-00323	Canopy (HUV3P)	1
7	00-877707-00423	Canopy (HUV4P)	1
8	00-877707-00523	Canopy (HUV5P)	1
9	00-877707-00723	Canopy (HUV7P)	1
10	00-877707-00063	Cylinder Lift Mounting Assy. (Left)	1
11	00-877707-00308	Cylinder – Lift (HUV3P & HUV3P/2) (Full Service)	1
12	00-877707-00408	Cylinder – Lift (HUV4P) (Full Service)	1
13	00-877707-00508	Cylinder – Lift (HUV5P) (Full Service)	2
14	00-877707-00708	Cylinder – Lift (HUV7P) (Full Service)	4
15	00-877707-00316	Cylinder – Lift (HUV3P) (Self Service)	1
16	00-877707-00416	Cylinder – Lift (HUV4P) (Self Service)	1
17	00-877707-00516	Cylinder – Lift (HUV5P) (Self Service)	1
18	00-877707-00616	Cylinder – Lift (HUV3P/2) (Self Service)	1
19	00-357553-00055	Set Screw M9 X 5	1
20	00-877707-00068	Retainer	1
21	00-877707-00065	Hex Set Screw	1
22	00-877707-00036	Strip – Glass Seal (Black Rubber) (Full Service)	AR
23	00-877707-00066	Holder – Side Glass (Left Side)	AR
24	00-877707-00067	Holder – Side Glass (Right Side)	1
25	00-877707-00064	Screw M4 X 6	AR
26	00-357553-00084	Washer	AR
27	00-877707-00035	Glass – Side & Center	AR
28	00-877707-00303	Glass – Front (Top) (HUV3P) (Self Service)	1
29	00-877707-00403	Glass – Front (Top) (HUV4P) (Self Service)	1
30	00-877707-00503	Glass – Front (Top) (HUV5P) (Self Service)	1
31	00-877707-00603	Glass – Front (Top) (HUV3P/2) (Self Service)	1
32	00-877707-00302	Strip – Clear (For Top & Bottom Glass) (HUV3P) (Self Service)	2
33	00-877707-00402	Strip – Clear (For Top & Bottom Glass) (HUV4P) (Self Service)	2
34	00-877707-00502	Strip – Clear (For Top & Bottom Glass) (HUV5P) (Self Service)	2
35	00-877707-00602	Strip – Clear (For Top & Bottom Glass) (HUV3P/2) (Self Service)	2
36	00-877707-00304	Glass – Front (Bottom) (HUV3P) (Self Service)	1
37	00-877707-00404	Glass – Front (Bottom) (HUV4P) (Self Service)	1
38	00-877707-00504	Glass – Front (Bottom) (HUV5P) (Self Service)	1
39	00-877707-00604	Glass – Front (Bottom) (HUV3P/2) (Self Service)	1
	00-877707-00099	Strip – Division (Front Glass) (HUV7P)	1



VIEW FROM CASE SIDE

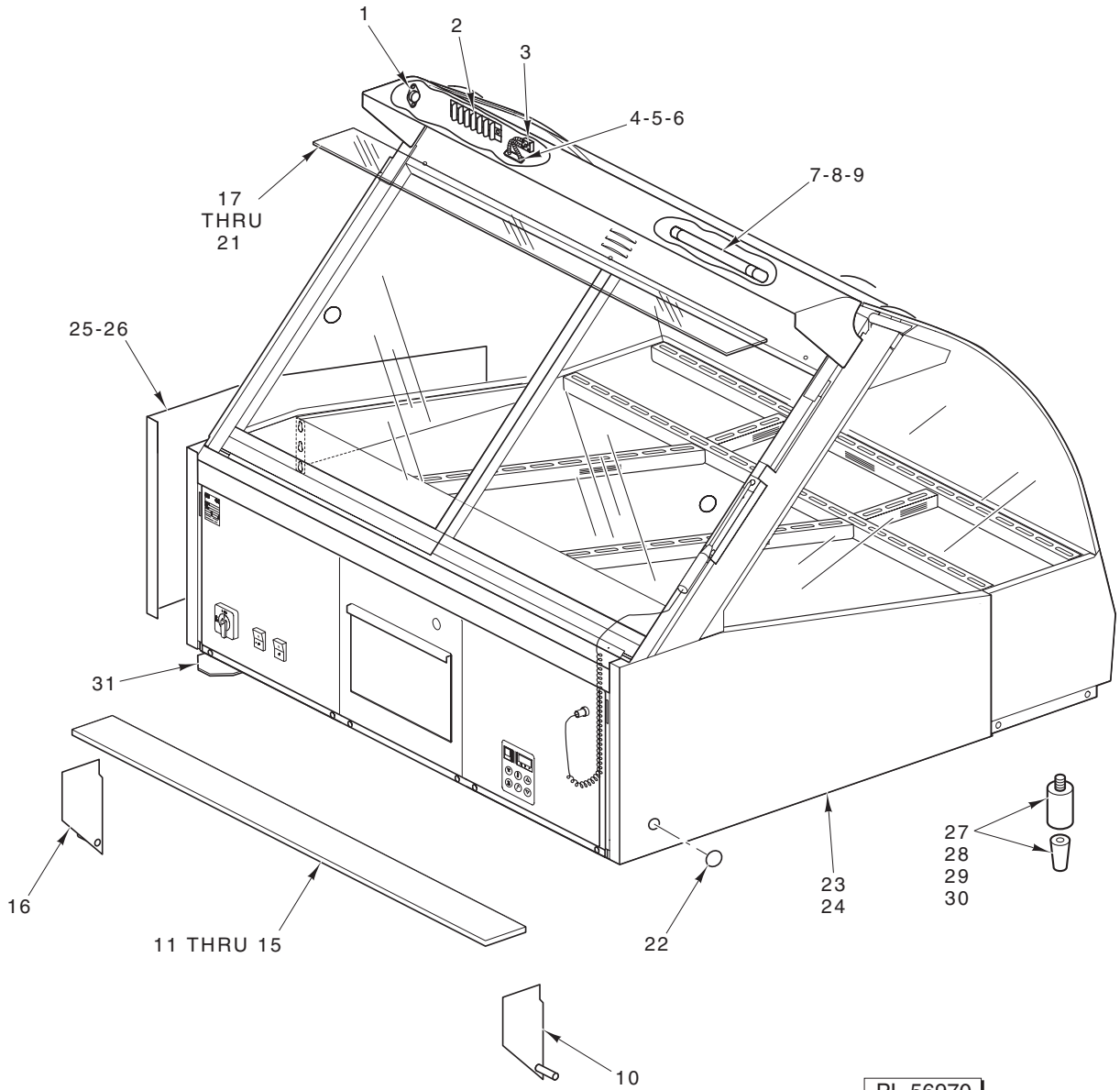


VIEW FROM CONTROL SIDE

HEATING, COOLING, AND HUMIDITY COMPONENTS

HEATING, COOLING, AND HUMIDITY COMPONENTS

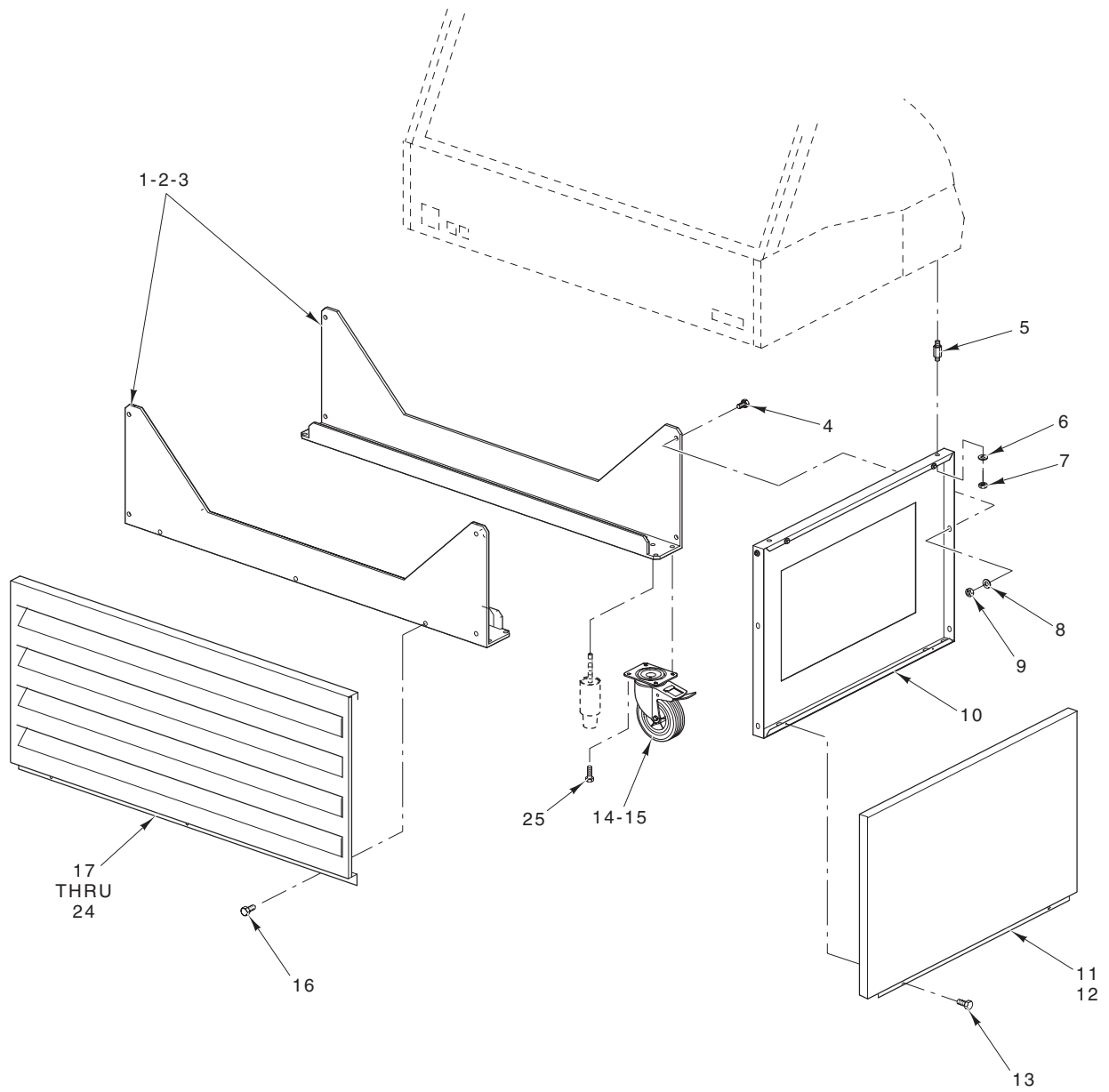
ILLUS. PL-56992	PART NO.	NAME OF PART	AMT.
1	00-877707-00007	Element – Humidity (2000 W., 208 V.) (ML-132065, ML-132067, ML-132069, & ML-132071)	1
2	00-877707-00054	Element – Humidity (2000 W., 240 V.) (ML-132065, ML-132067, ML-132069, & ML-132071)	1
3	00-356946	Sensor – Temperature (Air Duct & Element) (Full Service)	2
4	00-877707-00006	Element – Well Heating (1500 W., 208 V.) (All Except ML-132084)	2
5	00-877707-00053	Element – Well Heating (1500 W., 240 V.) (All Except ML-132084)	2
6	00-877707-00094	Element – Well Heating (1100 W., 208 V.) (ML-132084)	4
7	00-877707-00105	Element – Well Heating (1100 W., 240 V.) (ML-132084)	4
8	00-877707-00096	Element – Humidity (600 W., 208 V.) (ML-132080, ML-132081, ML-132082, & ML-132084) ...	1
9	00-877707-00104	Element – Humidity (600 W., 240 V.) (ML-132080, ML-132081, ML-132082, & ML-132084) ...	1
10	00-877707-00095	Element – Humidity (300 W., 208 V.) (ML-132080, ML-132081, ML-132082, & ML-132084) ...	1
11	00-877707-00103	Element – Humidity (300 W., 240 V.) (ML-132080, ML-132081, ML-132082, & ML-132084) ...	1
12	00-877707-00324	Panel – Heater Light Array (HUV3P & HUV3P/2 Full Service)	1
13	00-877707-00424	Panel – Heater Light Array (HUV4P)	1
14	00-877707-00524	Panel – Heater Light Array (HUV5P)	1
15	00-877707-00624	Panel – Heater Light Array (HUV3P/2 Self Service)	1
16	00-877707-00724	Panel – Heater Light Array (HUV7P)	1
17	00-877707-00010	Fan – Cooling (Left, Right, & Top)	AR
18	00-877707-00009	Fan – Well Heater (Left & Right)	AR
19	00-877707-00017	Valve – Water	1
20	00-877707-00052	Restrictor – Water Valve	1
21	00-877707-00069	Coupling & Nut	1
22	00-877707-00070	Water Connection	1
23	00-877707-00071	Frame – Tray Opening (ML-132065, ML-132067, ML-132069, & ML-132071)	1
24	00-877707-00106	Frame – Tray Opening (ML-132080, ML-132081, ML-132082, & ML-132084)	1
25	00-877707-00072	Panel – Element (ML-132065, ML-132067, ML-132069, & ML-132071)	1
26	00-877707-00107	Panel – Element (ML-132080, ML-132081, ML-132082, & ML-132084)	1
27	00-877707-00108	Lid – Panel Element (ML-132080, ML-132081, ML-132082, & ML-132084)	1
28	00-877707-00045	Tray – Humidity	1
29	00-877707-00050	Door – Humidity Tray	1
30	00-877707-00014	Sensor – Water Level	1



LIGHTS AND CUTTING BOARD

LIGHTS AND CUTTING BOARD

ILLUS. PL-56970	PART NO.	NAME OF PART	AMT.
1	00-877707-00026	Switch – Temperature High Limit	1
2	00-422800-00068	Block – Terminal (6-Position) (For Lights)	AR
3	00-877707-00047	Block – Terminal Ceramic (2-Position)	AR
4	00-877707-00008	Heater – Upper (250 W.) (Ceramic) (ML-132065, ML-132066, ML-132067, ML-132068, ML-132069, ML-132070, & ML-132071)	AR
5	00-877707-00097	Heater – Upper (150 W.) (Ceramic) (ML-132080, ML-132081, ML-132082, & ML-132084) ..	AR
6	00-877707-00057	Spacer – Well Heater	AR
7	00-877707-00511	Light – Fluorescent (55 W.)	2
8	00-360038	Light – Fluorescent (36 W.)	2
9	00-360039	Socket – Fluorescent Light	2
10	00-877707-00044	Pin – Hinge Bracket (RH)	1
11	00-877707-00311	Board – Cutting (Board Only) (HUV3P)	1
12	00-877707-00411	Board – Cutting (Board Only) (HUV4P)	1
13	00-877707-00512	Board – Cutting (Board Only) (HUV5P)	1
14	00-877707-00612	Board – Cutting (Board Only) (HUV3P/2)	1
15	00-877707-00712	Board – Cutting (Board Only) (HUV7P)	1
16	00-877707-00043	Pin – Hinge Bracket (LH)	1
17	00-877707-00301	Glass – Light (Rose) (HUV3P) (HUV3P/2 Full Service)	1
18	00-877707-00401	Glass – Light (Rose) (HUV4P)	1
19	00-877707-00501	Glass – Light (Rose) (HUV5P)	1
20	00-877707-00601	Glass – Light (Rose) (HUV3P/2 Self Service)	1
21	00-877707-00701	Glass – Light (Rose) (HUV7P)	1
22	00-877707-00073	Plug	1
23	00-877707-00074	Panel – Side (Left Side) (Black)	1
24	00-877707-00075	Panel – Side (Left Side) (White)	1
25	00-877707-00076	Panel – Side (Right Side) (Black)	1
26	00-877707-00077	Panel – Side (Right Side) (White)	1
27	00-877707-00079	Legs	4
28	00-877707-00078	Washer	4
29	00-877707-00080	Bushing (Inside)	4
30	00-877707-00087	Nut	4
31	00-877707-00088	Plate – Switch Protector	1



PL-57095

DISPLAY CASE BASE

DISPLAY CASE BASE

ILLUS.	PART NO.	NAME OF PART	AMT.
PL-57095			
1	00-877707-00325	Frame – Front/Back (HUV3P)	2
2	00-877707-00425	Frame – Front/Back (HUV4P)	2
3	00-877707-00525	Frame – Front/Back (HUV5P)	2
4	00-425900-00165	Screw	AR
5	00-877707-00082	Standoff	4
6	00-422900-00335	Washer	AR
7	00-877707-00081	Nut	AR
8	00-422900-00335	Washer	AR
9	00-877707-00081	Nut	AR
10	00-877707-00084	Frame – Side	2
11	00-877707-00085	Panel – Side (Black)	2
12	00-877707-00086	Panel – Side (White)	2
13	00-357563	Screw	AR
14	00-877707-00091	Caster – Black (With Brake)	2
15	00-877707-00092	Caster – Black (Without Brake)	2
16	00-357563	Screw	AR
17	00-877707-00326	Panels – Front/Back (HUV3P) (Black)	2
18	00-877707-00327	Panels – Front/Back (HUV3P) (White)	2
19	00-877707-00426	Panels – Front/Back (HUV4P) (Black)	2
20	00-877707-00427	Panels – Front/Back (HUV4P) (White)	2
21	00-877707-00526	Panels – Front/Back (HUV5P) (Black)	2
22	00-877707-00527	Panels – Front/Back (HUV5P) (White)	2
23	00-877707-00726	Panels – Front/Back (HUV7P) (Black)	2
24	00-877707-00727	Panels – Front/Back (HUV7P) (White)	2
25	00-425900-00165	Screw M8 X 16	4

