



CATALOG OF REPLACEMENT PARTS

LT1 DISHWASHER

ML-104239

LT1

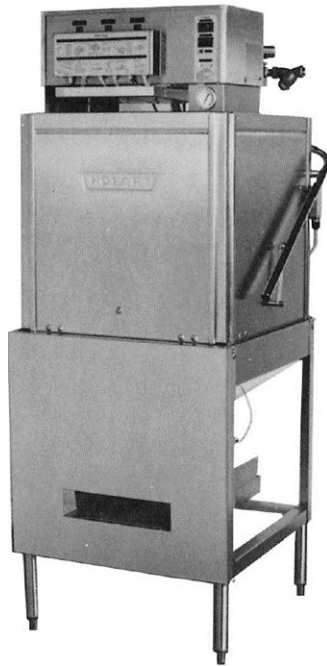
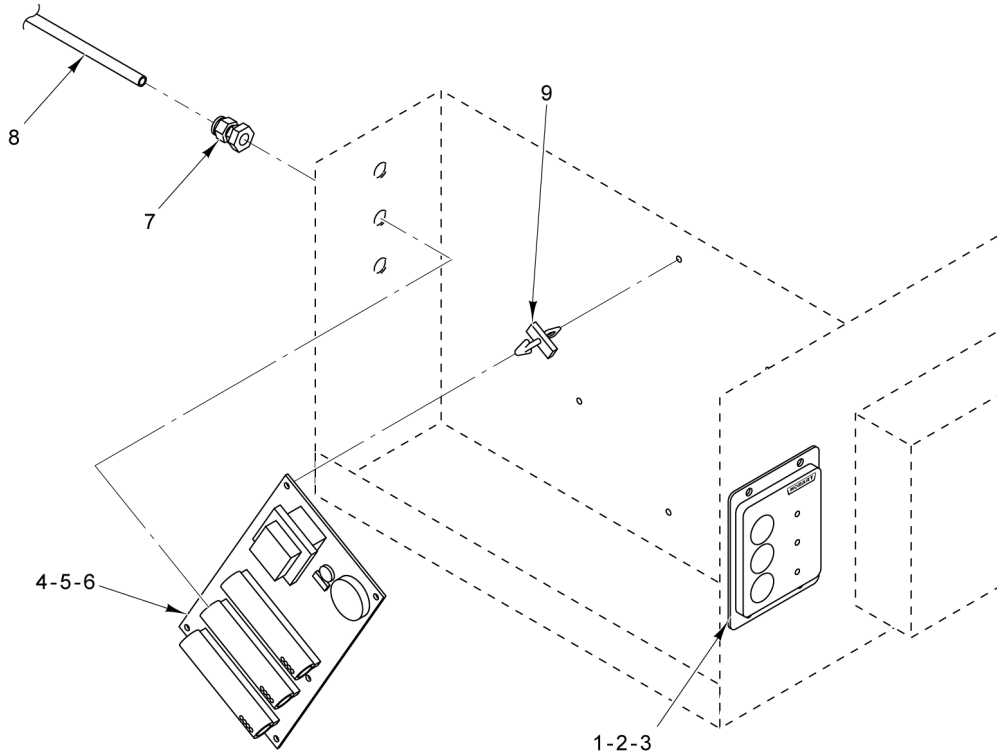


Table of Contents

5	CHEMICAL DETECTION BOX
7	CONTROL BOX
9	ELECTRICAL COMPONENTS
11	DOOR ASSEMBLY (BEFORE SN 23-1098-782)
13	DOOR ASSEMBLY (SN 23-1098-782 AND AFTER)
15	WASH MOTOR AND PUMP (BEFORE S/N 231076369)
17	WASH MOTOR AND PUMP (S/N 231076369 TO 231144434)
19	WASH MOTOR AND PUMP (STARTING S/N 231144435)
21	INSIDE WASH AND RINSE PIPING
23	FILL PIPING (PREVIOUS CONSTRUCTION)
25	FILL PIPING (CURRENT CONSTRUCTION)
27	DRAIN (BEFORE S/N 121021852)
29	DRAIN (STARTING S/N 121021852)
31	TRACK AND RACKS



- | | | |
|----|-----------------|------------------------------|
| 10 | 00-918068-00001 | Chemical Detection Box Assy. |
| 11 | 00-918053 | Potentiometer |

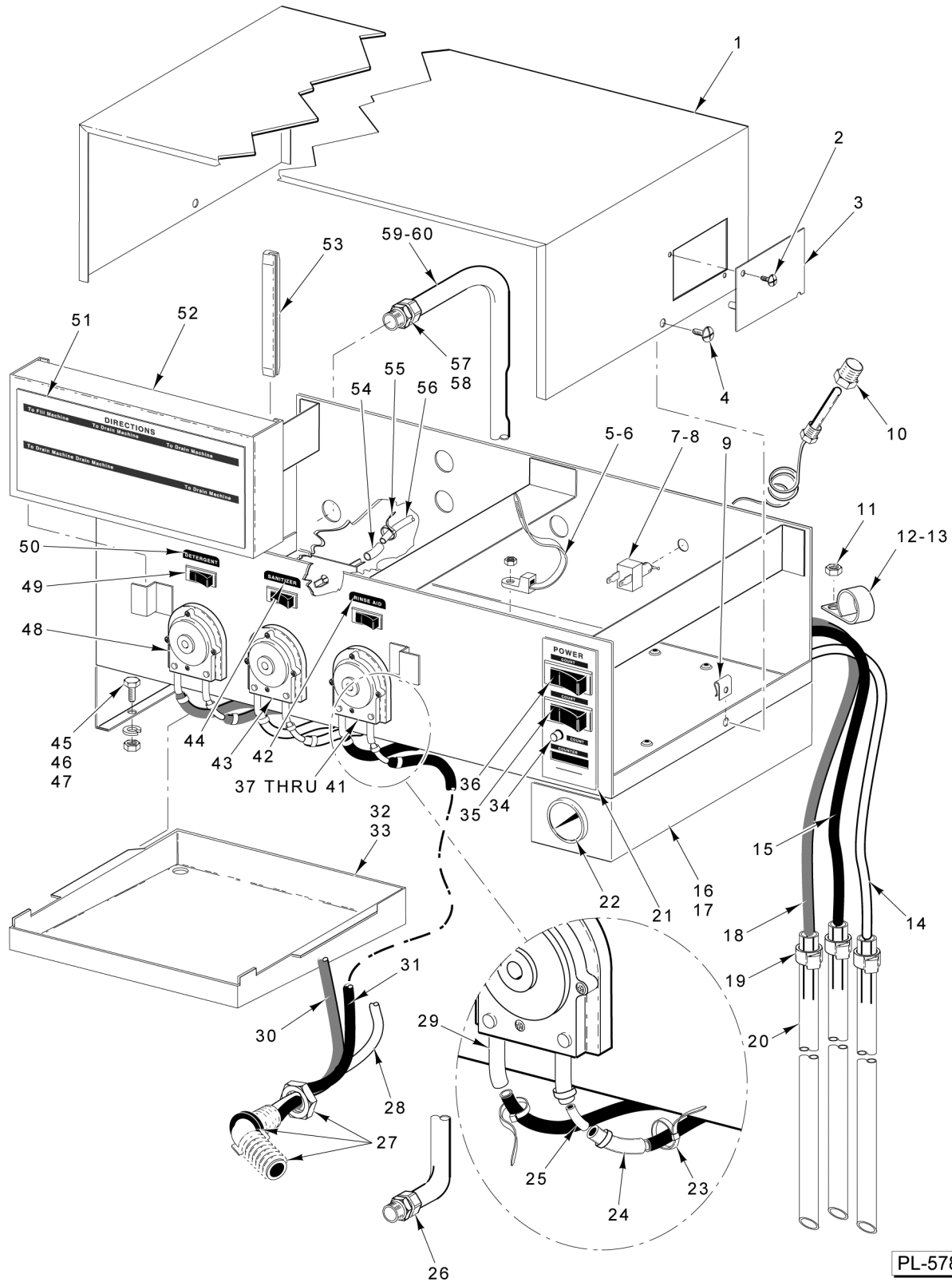
PARTS NOT ILLUSTRATED

PL-57862

CHEMICAL DETECTION BOX

CHEMICAL DETECTION BOX

ILLUS.	PART NO.	NAME OF PART	AMT.
PL-57862			
1	00-114247-00001	Rivet - Drive.....	1
2	00-893922	Switch - Membrane (Chemical Detection).....	1
3	00-918108	Border - Keypad Protector.....	1
4	00-893766	Board Assy. - Chemical Module.....	1
5	00-892720	Standoff.....	2
6	00-813795	Barrier.....	1
7	FE-025-96	Strain Relief - Electrical.....	3
8	00-185105-00023	Tubing.....	3
9	00-329056-00001	Standoff (Dual Locking).....	4
10	00-918068-00001	Chemical Detection Box Assy.....	1
11	00-918053	Potentiometer.....	1



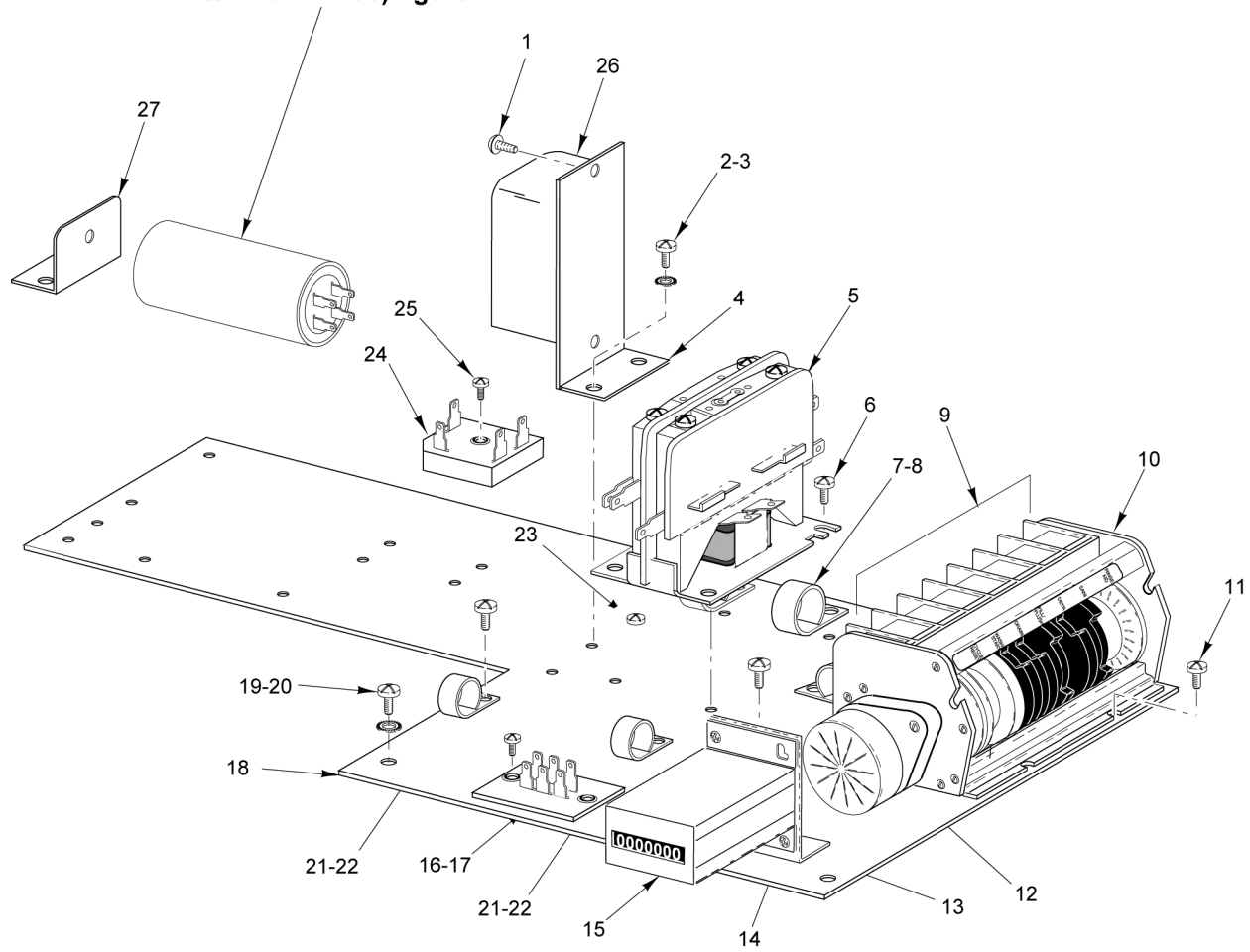
PL-57863

CONTROL BOX

CONTROL BOX

ILLUS. PL-57863	PART NO.	NAME OF PART	AMT.
1	00-436195	Cover - Control Box (Give Elec. Spec., Mach. Model, & Serial No.).....	1
2	SD-032-31	Self-Tapping Screw 8-18 x 3/8 Phil Pan Hd., Type B.....	2
3	00-436196-00001	Cover - Access.....	1
4	SC-053-05	Mach. Screw 10-24 x 3/8 Slotted Truss Hd. (SST).....	2
5	00-328678	Clamp - Tie.....	1
6	NS-031-15	Stop Nut 10-24 Hex (SST).....	1
7	00-087711-180-1	Switch - Toggle (D.P.D.T.) (Keyway Must be Located on Top of Switch) (Delime).....	1
8	00-186297	Label - DELIME/NORMAL.....	1
9	00-074348	Speed Nut 10-24.....	2
10	00-107218	Coupling - Thermometer Bulb.....	1
11	NS-031-15	Stop Nut 10-24 Hex (SST).....	2
12	00-078752-00001	Clamp - Retaining (7/16 In.).....	1
13	00-078752-00002	Retainer (3/4 In.).....	1
14	00-185105-00004	Tube - Clear (Supply to Pump) (1/4 O.D. x 144 Lg.).....	1
15	00-185105-00006	Tube - Blue (Supply to Pump) (1/4 O.D. x 144 Lg.).....	1
16	00-436194	Control Box (Mach. Built Prior to 11/9/04).....	1
17	00-918009	Control Box (Mach. Built After 11/9/04).....	1
18	00-185105-00002	Tube - Red (Supply to Pump) (1/4 O.D. x 144 Lg.).....	1
19	00-185111-00002	Clamp - Hose 7/16.....	3
20	00-185112	Stand Pipe 20-1/2 Lg.....	3
21	00-436201	Label - Controls.....	1
22	00-437041-00003	Thermometer (8 Ft.) (Final Rinse).....	1
23	00-113703	Cable Tie (Pump Connections).....	12
24	00-436293	Tube - Clear.....	3
25	00-185105-00015	Tube - Clear (1/4 O.D. x 1-1/2 Lg.).....	3
26	FE-025-27	Coupling - Conduit (Use on Lower End Item 59).....	1
27	00-185104	Elbow - Feeder Tubes (Incls. Nut & Gasket).....	1
28	00-185105-00010	Tube - Clear (1/4 O.D. x 60) (Pump to Tank).....	1
29	00-328252	Tubing - Chemical Pump (3/8 O.D.).....	1
30	00-185105-00009	Tube - Red (Pump to Tank) (1/4 O.D. x 60 Lg.).....	1
31	00-185105-00011	Tube - Blue (Pump to Tank) (1/4 O.D. x 60 Lg.).....	1
32	00-436197	Tray - Drip (Mach. Built Prior to 11/9/04).....	1
33	00-918084	Tray - Drip (Mach. Built After 11/9/04).....	1
34	00-436288	Kit - Pilot Light.....	1
35	00-087711-193-2	NLA - Obsolete--Switch - Rocker (Fill/Drain).....	1
36	00-087711-192-2	Switch - Rocker (Power On/Off).....	1
37	00-329871	Pump - Chemical.....	3
38	SC-116-20	Mach. Screw 6-32 x 1/2 Slotted Bndg. Hd. (SST) (4 per pump).....	4
39	SC-022-09	Mach. Screw 8-32 x 1/2 Slotted Flat Hd. (SST) (2 per pump).....	2
40	SC-022-08	Mach. Screw 8-32 x 3/8 Flat Hd. (2 per pump).....	2
41	00-185097-00002	Motor - Peristaltic Pump (12 RPM).....	1
42	00-436204	Label - Rinse Aid.....	1
43	00-185097-00001	Motor - Peristaltic Pump (35 RPM).....	1
44	00-436203	Label - Sanitizer.....	1
45	SC-041-10	Cap Screw 5/16-18 x 5/8 Hex Hd. (SST).....	4
46	WL-006-23	Lockwasher 5/16 Helical (SST).....	4
47	NS-015-11	Nut 5/16-18 Hex (SST).....	4
48	00-185097-00001	Motor - Peristaltic Pump (35 RPM).....	1
49	00-087711-194-1	Switch - Rocker.....	3
50	00-436202	Label - Detergent.....	1
51	00-436199	Label - Directions.....	1
52	00-436198	Cover - Peristaltic Pumps.....	1
53	00-436246	Guide - Pump Cover.....	2
54	00-436293	Tube - Clear (Drain Off Tube Behind Control Box).....	1
55	00-113703	Cable Tie.....	5
56	00-185105-00010	Tube - Clear (1/4 O.D. x 60) (Peristaltic Pump Drain Off to Drain Pan)	1
57	FE-022-84	Connector - Strain Relief.....	2
58	FE-008-10	1/2 Gasket Assy.....	2
59	00-893534	Cable - Motor Assy. (Mach. Built After 1/21/04 and Prior to 6/21/04).....	1
60	00-893534-00002	Cable - Motor Assy. (Mach. Built After 6/21/04).....	1

**This part is not sold separately.
It comes with Pump & Motor
Assembly 00-947806 shown on the
WASH MOTOR AND PUMP (Starting
S/N 231144435) figure.**



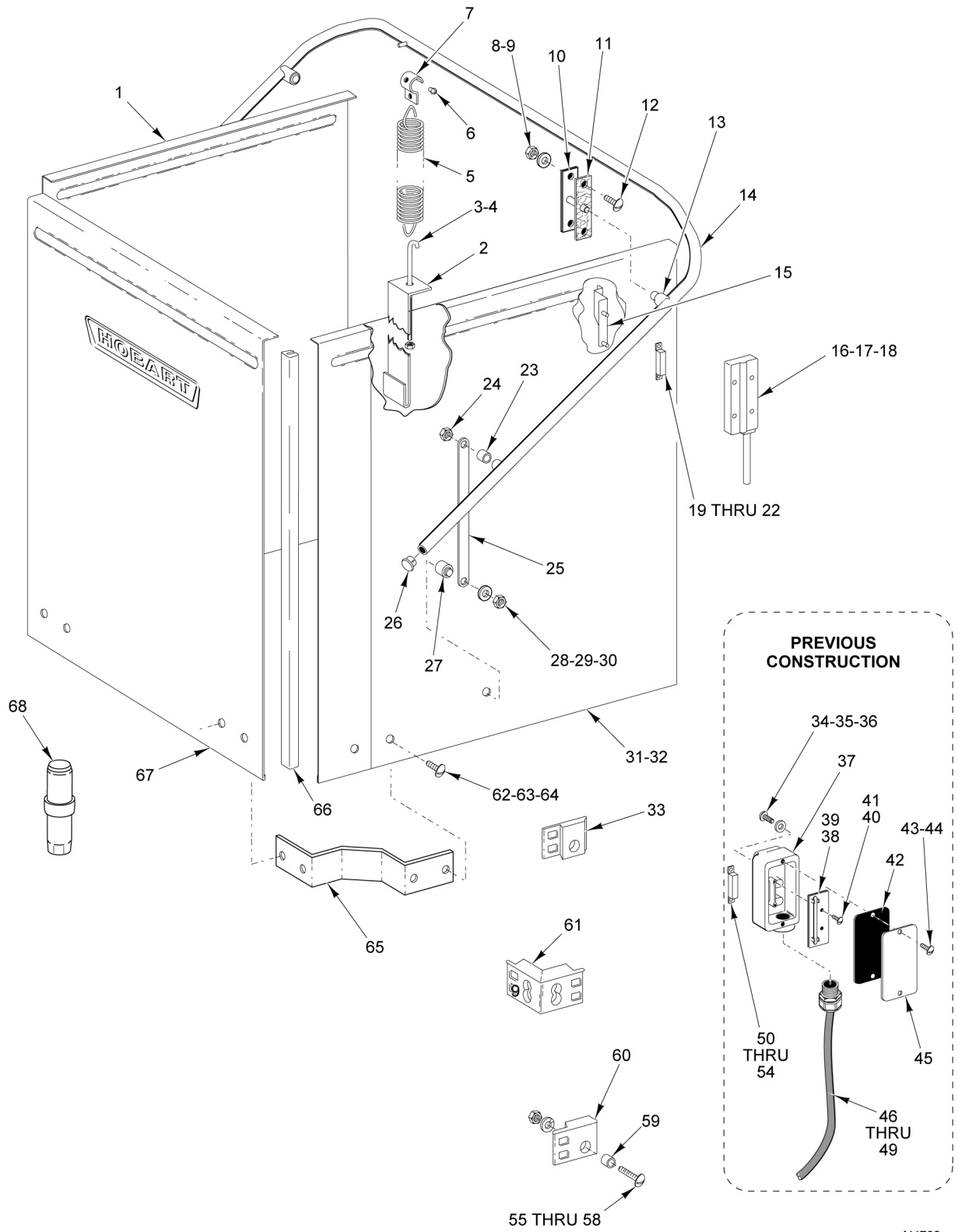
28 00-294695 Wrench - Spanner
PART NOT ILLUSTRATED

PL-57858

ELECTRICAL COMPONENTS

ELECTRICAL COMPONENTS

ILLUS.	PART NO.	NAME OF PART	AMT.
PL-57858			
1	SD-008-17	Self-Tapping Screw 6-20 x 3/8 Phil. Bndg. Hd., Type B.....	2
2	SD-008-18	Self-Tapping Screw 8-18 x 3/8 Phil. Bndg. Hd., Type B.....	2
3	WL-014-05	Lockwasher #8 External Shakeproof (SST).....	2
4	00-437102	Bracket - Relay Mounting.....	1
5	00-087713-086-1	Contactora - Single Pole.....	1
6	SD-008-25	Self-Tapping Screw 10-16 x 1/2 Phil. Pan Hd., Type B.....	2
7	00-294677-00003	Clamp - Wire (3/4 I.D.).....	3
8	SD-008-25	Self-Tapping Screw 10-16 x 1/2 Phil. Pan Hd., Type B.....	3
9	00-087711-00218	Switch - Timer.....	1
10	00-436265	Timer - Cam (Incls. Item 9).....	1
11	SD-008-18	Self-Tapping Screw 8-18 x 3/8 Phil. Bndg. Hd., Type B.....	2
12	SD-008-25	Self-Tapping Screw 10-16 x 1/2 Phil. Pan Hd., Type B.....	2
13	00-185178	Bracket.....	1
14	SD-008-17	Self-Tapping Screw 6-20 x 3/8 Phil. Bndg. Hd., Type B.....	2
15	00-185177	Counter & Bracket Assy. (Incls. Items 13, 14, & Terminals).....	1
16	00-294325-00009	Terminal Board Assy.....	1
17	SD-008-17	Self-Tapping Screw 6-20 x 3/8 Phil. Bndg. Hd., Type B.....	2
18	00-918013	Plate - Base.....	1
19	SC-018-62	Mach. Screw 10-24 x 3/8 Phil. Pan Hd.....	5
20	WL-007-12	Lockwasher 10 External Shakeproof.....	2
21	00-294677-00003	Clamp - Wire (3/4 I.D.).....	2
22	SD-008-25	Self-Tapping Screw 10-16 x 1/2 Phil. Pan Hd., Type B.....	1
23	SD-008-25	Self-Tapping Screw 10-16 x 1/2 Phil. Pan Hd., Type B.....	1
24	00-473660	Rectifier (Previous Construction) (Starting S/N 121021852).....	1
25	SD-008-04	Self-Tapping Screw 10-16 x 5/8 Phil. Rd. Hd., Type B.....	1
26	00-087714-007-2	Relay (3.P.D.T.) (120 V.) (Rinse Feeder).....	1
27	00-941300	Bracket - Capacitor Mounting.....	1
28	00-294695	Wrench - Spanner (Use to Adjust Item 10).....	1

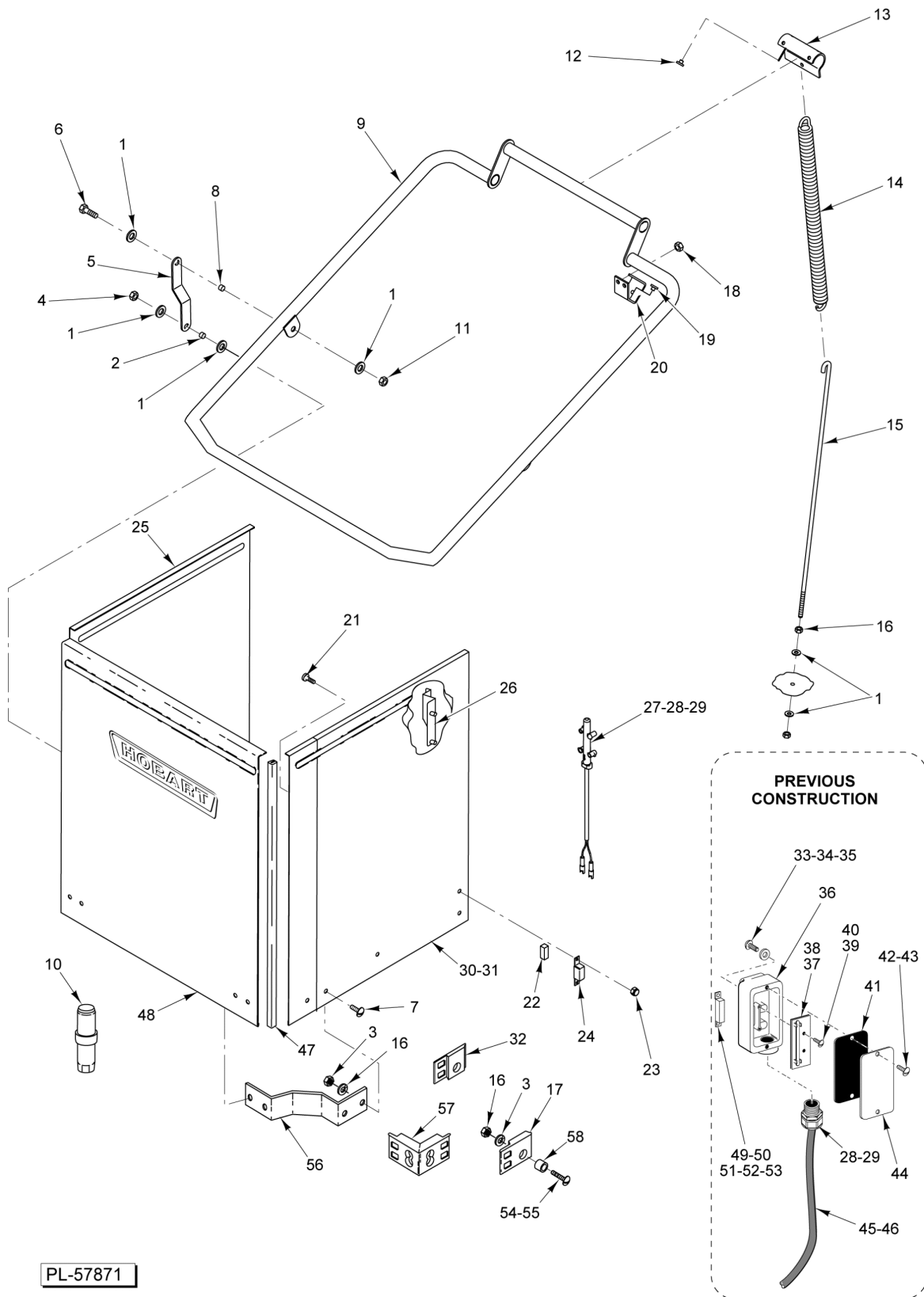


AI4702

**DOOR ASSEMBLY
(BEFORE SN 23-1098-782)**

**DOOR ASSEMBLY
(BEFORE SN 23-1098-782)**

ILLUS.	PART NO.	NAME OF PART	AMT.
1	00-893926	Door Assy. (LH).....	1
2	00-185044	Bracket - Spring.....	1
3	00-186334-00002	Hook - Spring.....	1
4	00-288946-00002	Foot - Adjustable (1-5/8) (SST).....	4
5	00-119079-00002	Spring - Counterbalance.....	1
6	00-119055	Button - Bearing.....	1
7	00-079008	Hanger - Spring.....	1
8	NS-015-11	Nut 5/16-18 Hex (SST).....	AR
9	WL-006-23	Lockwasher 5/16 Helical (SST).....	AR
10	SC-041-10	Cap Screw 5/16-18 x 5/8 Hex Hd. (SST).....	AR
11	00-473432	Gasket - Door Lift.....	2
12	00-119017	Bearing Bracket & Pin Assy.....	2
13	00-119104	Bushing - Door Lift Pin.....	2
14	00-475200-00001	Door Lift Assy.....	1
15	00-748056	Bracket - Magnet.....	1
16	00-918320-00003	Switch - Reed (Interlock).....	1
17	NS-031-50	Stop Nut 6-32 Hex (SST).....	4
18	FE-022-84	Connector - Strain Relief.....	AR
19	FE-024-88	Lock Nut 1/2 Electrical.....	AR
20	00-290159	Retainer - Magnet.....	1
21	00-290160	Magnet.....	1
22	NS-047-82	Stop Nut 1/4-20 Hex (SST).....	2
23	00-074068	Spacer - Door Link.....	2
24	NS-032-35	Stop Nut 5/16-18 Flexloc.....	2
25	00-119011	Link - Door.....	2
26	00-474831	Plug - Handle.....	2
27	00-119046	Pin - Door Lift.....	2
28	NS-025-09	Crown Nut 5/16-18 (SST).....	2
29	WS-005-32	Washer (SST).....	2
30	SC-041-17	Cap Screw 5/16-18 x 1-1/2 Hex Hd. (SST).....	2
31	00-436287	Door Assy. (RH) (Before SN 231067450).....	1
32	00-893927	Door Assy. (RH) (SN 231067450 and After).....	1
33	00-119082	Insert - Tank Corner (Left Rear).....	1
34	SC-066-06	Mach. Screw 10-24 x 1/2 Phil. Truss Hd. (SST).....	1
35	WS-029-79	Washer.....	2
36	WL-006-07	Lockwasher #10 Helical (SST).....	2
37	00-436069	Housing - Cycle Switch.....	1
38	00-436071	Retainer - Switch Weldment (Switch Included).....	1
39	00-811860	Barrier - Door Interlock.....	1
40	SC-115-26	Mach. Screw 6-32 x 5/16 Pan Hd.....	2
41	WL-006-42	Lockwasher #6 Medium.....	2
42	00-436073	Gasket - Housing.....	1
43	SC-093-03	Mach. Screw 8-32 x 3/8 Slotted Pan Hd. (SST).....	2
44	WL-006-02	Lockwasher #8 Helical (SST).....	2
45	00-436072	Cover - Housing.....	1
46	00-294514-00003	Cable - Door Interlock Switch.....	1
47	FE-008-10	1/2 Gasket Assy.....	1
48	00-112378-00023	Guide - Door.....	6
49	00-893925	Door Assy. (Front).....	1
50	00-435950	Retainer - Magnet.....	1
51	00-436091	Magnet - Door Cycle Switch.....	1
52	SC-115-26	Mach. Screw 6-32 x 5/16 Pan Hd.....	2
53	WS-023-01	Washer (SST).....	2
54	NS-031-50	Stop Nut 6-32 Hex (SST).....	2
55	SC-041-15	Cap Screw 5/16-18 x 1-1/4 Hex Hd. (SST).....	6
56	SC-053-17	Mach. Screw 5/16-18 x 3/4 Truss Hd. (SST).....	2
57	00-185057	Bracket - Door Lift.....	2
58	00-119081	Insert - Tank Corner (Front).....	2
59	00-119047	Spacer - Tank & Chamber.....	6
60	00-119083	Insert - Tank Corner (Right Rear).....	1

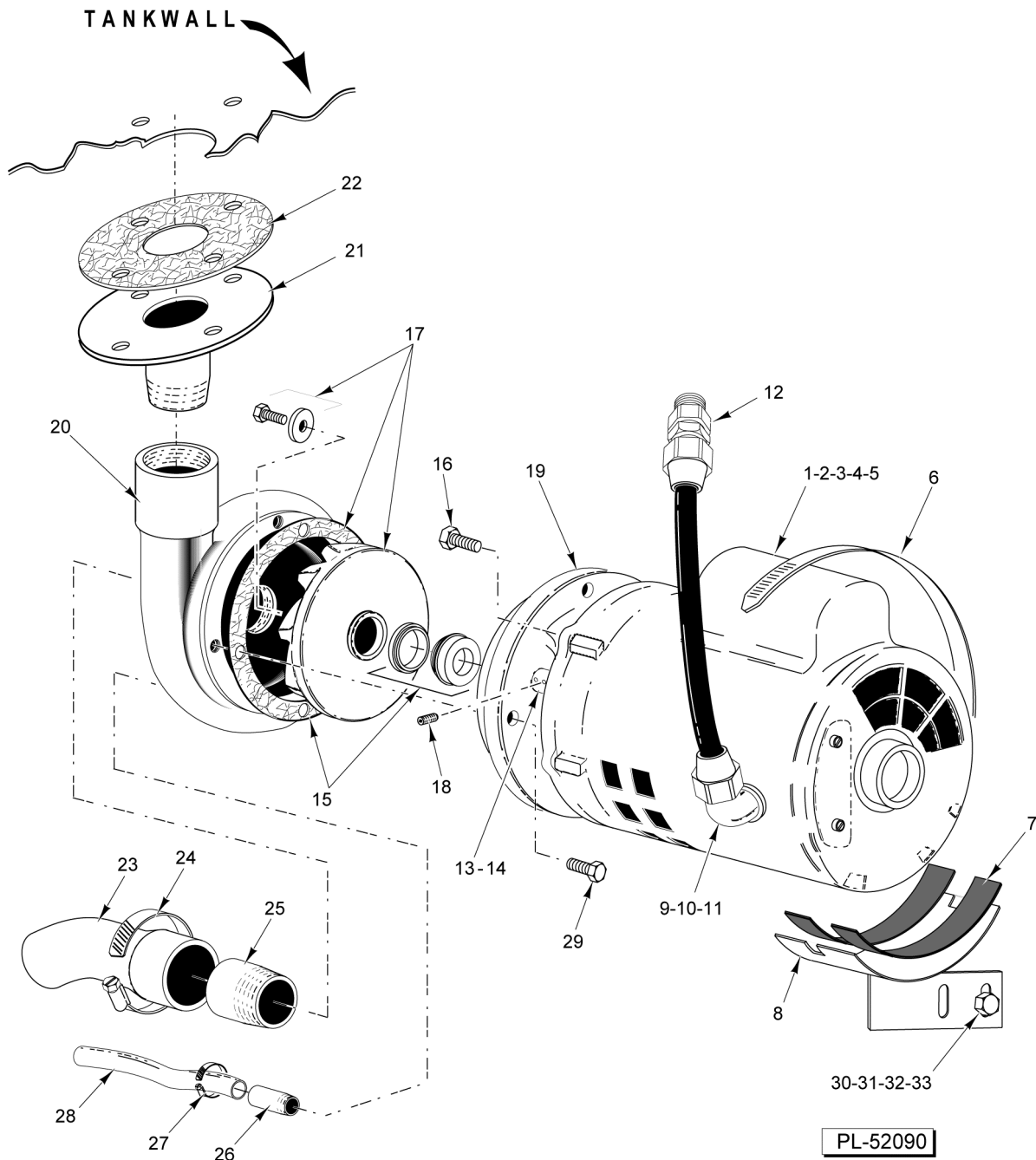


PL-57871

**DOOR ASSEMBLY
(SN 23-1098-782 AND AFTER)**

**DOOR ASSEMBLY
(SN 23-1098-782 AND AFTER)**

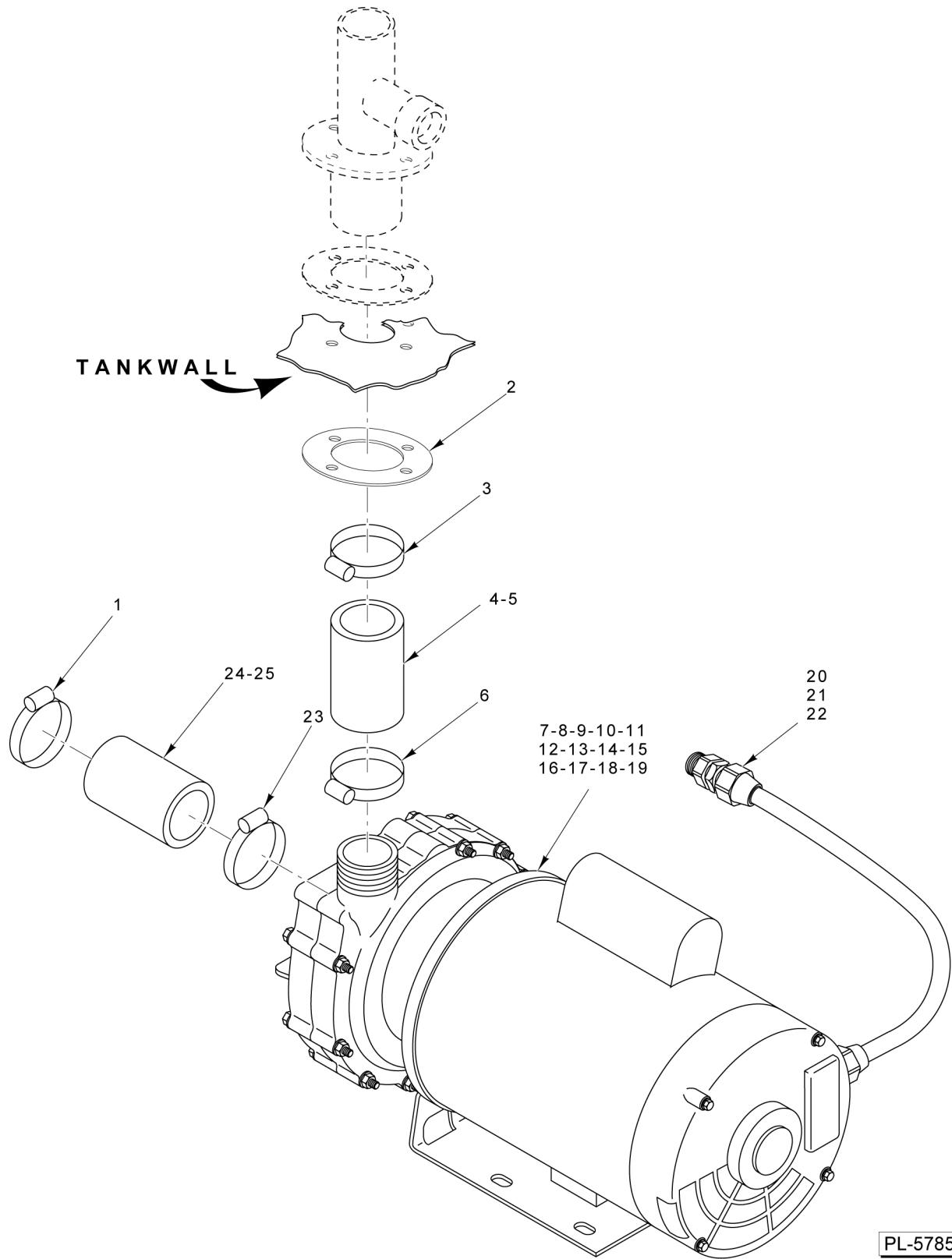
ILLUS. PL-57871	PART NO.	NAME OF PART	AMT.
1	WS-017-01	Washer 0.328 x 0.875 x 0.062 (SST).....	AR
2	00-893014-00002	Spacer - Door Link (Lower).....	2
3	WL-006-23	Lockwasher 5/16 Helical (SST).....	AR
4	NS-036-19	Stop Nut 5/16-18 Hex (SST).....	2
5	00-893252	Link - Door Handle.....	2
6	SC-041-12	Cap Screw 5/16-18 x 7/8 Hex Hd. (SST).....	2
7	SC-041-10	Cap Screw 5/16-18 x 5/8 Hex Hd. (SST).....	AR
8	00-893014-00001	Spacer Door Link (Upper).....	2
9	00-893051	Handle - Weldment.....	1
10	00-288946-00002	Foot - Adjustable (1-5/8) (SST).....	4
11	NS-036-19	Stop Nut 5/16-18 Hex (SST).....	2
12	00-119055	Button - Bearing.....	2
13	00-893011	Hanger - Counterbalance (Spring).....	1
14	00-893012	Spring - Extension (Door).....	1
15	00-893013	Hook - Spring.....	1
16	NS-015-11	Nut 5/16-18 Hex (SST).....	AR
17	00-119083	Insert - Tank Corner (Right Rear).....	1
18	NS-036-19	Stop Nut 5/16-18 Hex (SST).....	2
19	00-119055	Button - Bearing.....	4
20	00-893224	Support - Handle.....	2
21	SC-066-01	Mach. Screw 6-32 x 1/4 Phil. Truss Hd.....	2
22	00-111941	Magnet.....	1
23	NS-031-50	Stop Nut 6-32 Hex (SST).....	2
24	00-893111	Magnet - Mount.....	1
25	00-893926	Door Assy. (LH).....	1
26	00-748056	Bracket - Magnet.....	1
27	00-918320-00003	Switch - Reed (Interlock).....	1
28	NS-031-50	Stop Nut 6-32 Hex (SST).....	AR
29	FE-022-84	Connector - Strain Relief.....	AR
30	00-436287	Door Assy. (RH) (Before S/N 231067450).....	1
31	00-893927	Door Assy. (RH) (After S/N 231067450).....	1
32	00-119082	Insert - Tank Corner (Left Rear).....	1
33	SC-066-06	Mach. Screw 10-24 x 1/2 Phil. Truss Hd. (SST).....	1
34	WS-029-79	Washer.....	2
35	WL-006-07	Lockwasher #10 Helical (SST).....	2
36	00-436069	Housing - Cycle Switch.....	1
37	00-436071	Retainer - Switch Weldment (Switch Included).....	1
38	00-811860	Barrier - Door Interlock.....	1
39	SC-115-26	Mach. Screw 6-32 x 5/16 Pan Hd.....	2
40	WL-006-42	Lockwasher #6 Medium.....	2
41	00-436073	Gasket - Housing.....	1
42	SC-093-03	Mach. Screw 8-32 x 3/8 Slotted Pan Hd. (SST).....	2
43	WL-006-02	Lockwasher #8 Helical (SST).....	2
44	00-436072	Cover - Housing.....	1
45	00-294514-00003	Cable - Door Interlock Switch.....	1
46	FE-008-10	1/2 Gasket Assy.....	1
47	00-112378-00023	Guide - Door.....	6
48	00-893925	Door Assy. (Front).....	1
49	00-435950	Retainer - Magnet.....	1
50	00-436091	Magnet - Door Cycle Switch.....	1
51	SC-115-26	Mach. Screw 6-32 x 5/16 Pan Hd.....	2
52	WS-023-01	Washer (SST).....	2
53	NS-031-50	Stop Nut 6-32 Hex (SST).....	2
54	SC-041-15	Cap Screw 5/16-18 x 1-1/4 Hex Hd. (SST).....	6
55	SC-053-17	Mach. Screw 5/16-18 x 3/4 Truss Hd. (SST).....	2
56	00-185057	Bracket - Door Lift.....	2
57	00-119081	Insert - Tank Corner (Front).....	2
58	00-119047	Spacer - Tank & Chamber.....	6



**WASH MOTOR AND PUMP
(BEFORE S/N 231076369)**

**WASH MOTOR AND PUMP
(BEFORE S/N 231076369)**

ILLUS. PL-52090	PART NO.	NAME OF PART	AMT.
1	00-436216	Pump & Motor Assy. (Includes items 21, 25, and 26).....	1
2	00-186894-00001	Pump & Motor Subassy. (Does NOT Include Items 21, 25, and 26).....	1
3	00-329919-00001	NLA - Obsolete--Pump & Motor Assy. (380 V., 50 Hz., 3 Ph.).....	1
4	00-329920-00001	NLA - Obsolete--Pump & Motor Assy. (220 V., 50 Hz., 1 Ph.).....	1
5	00-436292-00001	Motor - Service (120 V., 60 Hz., 1 Ph.).....	1
6	00-292171	Clamp - Motor Support.....	1
7	00-436295	Foam Tape.....	2
8	00-436276	NLA - Obsolete--Support - Motor (Incls. Item 7).....	1
9	FE-024-65	Connector 90 Deg. (Non-Metallic) Sealrite (1/2 Male Thd. x 1/2 Flex. Cnd.).....	1
10	FE-008-10	1/2 Gasket Assy.....	1
11	00-436913-00023	Conduit - Liquidtite 1/2 x 24 (Connects Motor to Control Box Cnd.).....	1
12	FE-024-57	Connector Straight (Non-Metallic) Sealrite (1/2 Male Thd. x 1/2 Flex. Cnd.).....	1
13	00-436291-00001	Flinger (Not Shown).....	1
14	00-436291-00003	Adapter - Shaft.....	1
15	00-436289	Seal Kit (Service) (Incls. Casing Gasket).....	1
16	00-436291-00007	NLA - Obsolete--Bolt - Hex Hd.....	4
17	00-436290	Impeller Kit (Service) (Incls. Casing Gasket, Retaining Bolt, & Washer).....	1
18	00-436291-00006	Set Screw.....	2
19	00-436291-00002	Support Head.....	1
20	00-436291-00004	Casing - Pump.....	1
21	00-436274	Flange Assy. - Pump Discharge.....	1
22	00-436270	Gasket.....	1
23	00-436233	Hose - Pump Intake.....	1
24	00-534651	Clamp - Hose #32.....	2
25	00-436153	Adapter - Pump.....	1
26	FP-087-33	Pipe 1/8 x 1-1/4 (STOE).....	1
27	00-526614	Clamp - Hose.....	2
28	00-436294	Tube - Clear.....	1
29	00-436291-00005	Cap Screw.....	4
30	SC-041-10	Cap Screw 5/16-18 x 5/8 Hex Hd. (SST).....	2
31	WS-029-05	Washer 0.328 x 0.750 x 0.062 (SST).....	2
32	WL-006-23	Lockwasher 5/16 Helical (SST).....	2
33	NS-015-11	Nut 5/16-18 Hex (SST).....	2

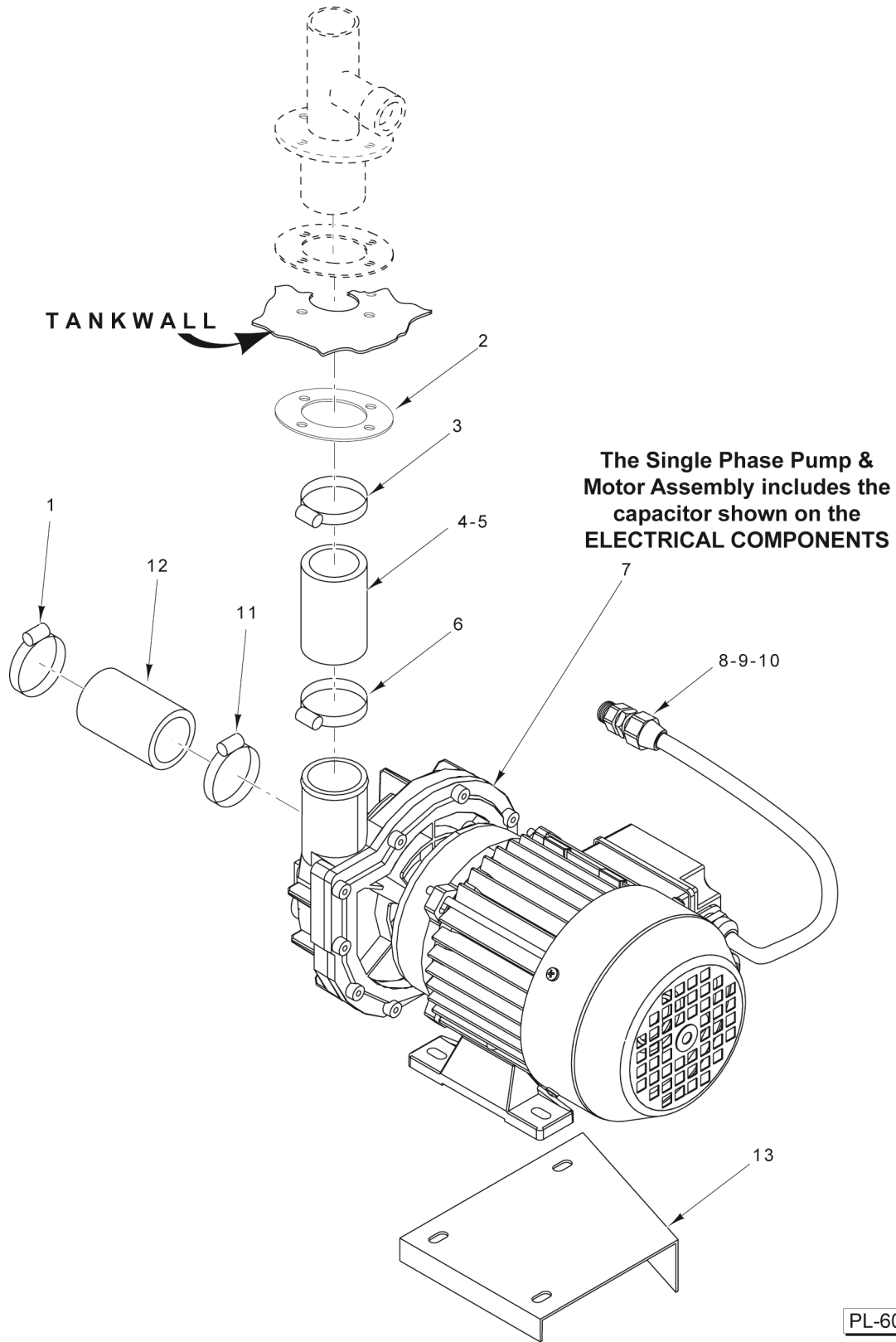


PL-57859

**WASH MOTOR AND PUMP
(S/N 231076369 TO 231144434)**

**WASH MOTOR AND PUMP
(S/N 231076369 TO 231144434)**

ILLUS. PL-57859	PART NO.	NAME OF PART	AMT.
1	00-538412	Clamp - Hose.....	1
2	00-436273-00002	Flange - Support.....	1
3	00-538412	Clamp - Hose.....	1
4	00-328607	Hose - Pump Outlet.....	1
5	00-328607-00002	Hose - Pump Outlet.....	1
6	00-538412	Clamp - Hose.....	1
7	00-474837-00001	Pump & Motor Assy. (115/230 V., 60 Hz.) (Incls. All Pump & Motor Parts).....	1
8	00-476734-00001	Kit - Motor Pump (50/60 Hz.).....	1
9	00-476734-00002	Kit - Casting Pump.....	1
10	00-476734-00003	Kit - Cover Pump.....	1
11	00-476734-00004	Kit - Shaft Seal.....	1
12	00-476734-00005	Kit - Impeller (60 Hz.).....	1
13	00-476734-00006	Kit - Plug.....	1
14	00-476734-00007	Kit - Shim.....	1
15	00-476734-00008	Kit - Impeller (50 Hz.).....	1
16	00-476734-00009	Kit - Motor Shaft Flinger.....	1
17	00-476734-00010	Kit - Motor Pump (50 Hz., 1 Ph.).....	1
18	00-476734-00011	Kit - Impeller (60 Hz., 3 Ph.).....	1
19	00-476734-00012	Kit - Impeller (50 Hz., 3 Ph.).....	1
20	00-893534-00002	Cable - Motor Assy.....	1
21	FE-022-84	Connector - Strain Relief.....	2
22	FE-024-88	Lock Nut 1/2 Electrical.....	1
23	00-538412	Clamp - Hose.....	1
24	00-328607	Hose - Pump Outlet.....	1
25	00-328607-00002	Hose - Pump Outlet.....	1

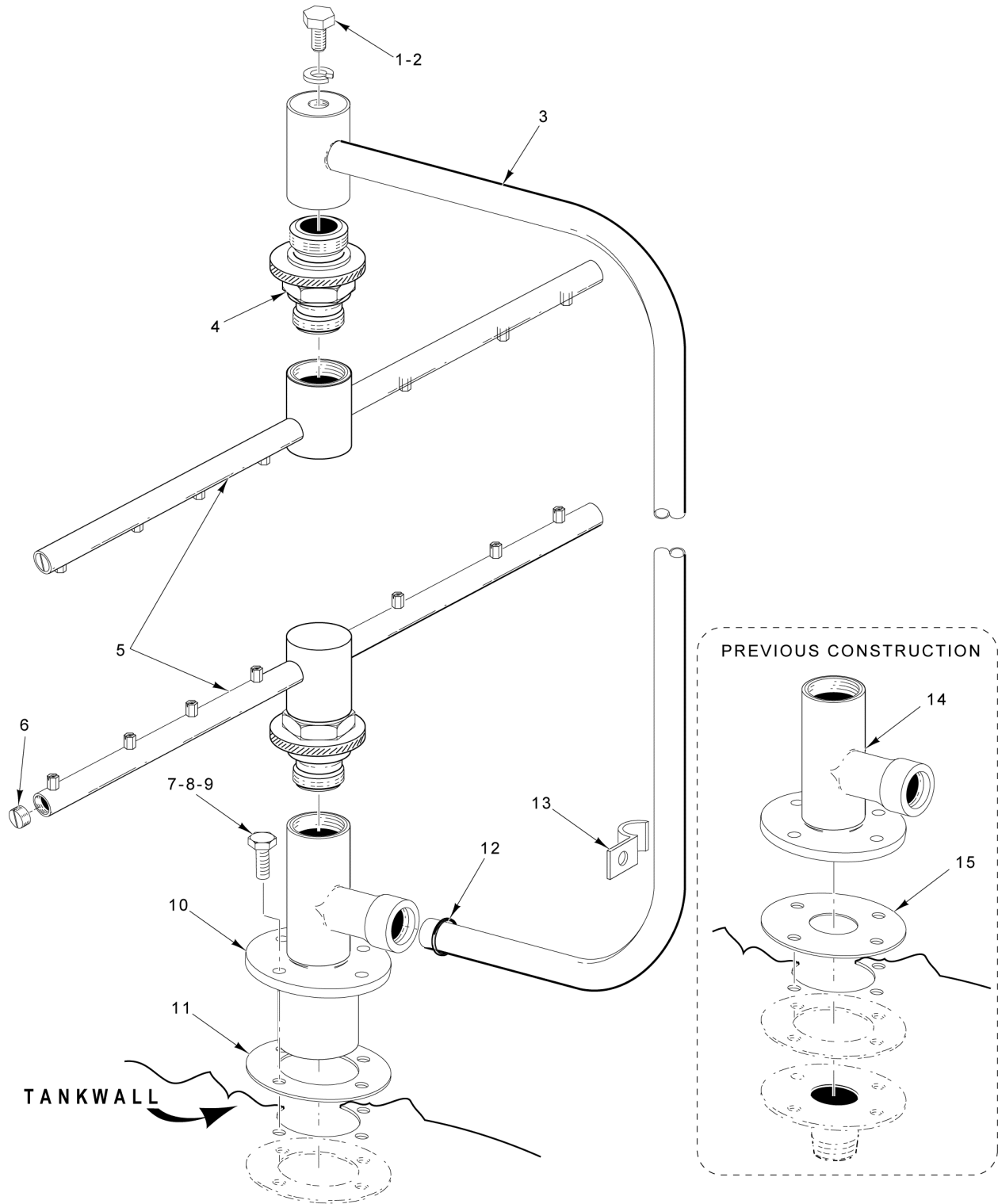


**WASH MOTOR AND PUMP
(STARTING S/N 231144435)**

PL-60648

**WASH MOTOR AND PUMP
(STARTING S/N 231144435)**

ILLUS.	PART NO.	NAME OF PART	AMT.
PL-60648			
1	00-538412	Clamp - Hose.....	1
2	00-436273-00002	Flange - Support.....	1
3	00-538412	Clamp - Hose.....	1
4	00-328607	Hose - Pump Outlet.....	1
5	00-328607-00002	Hose - Pump Outlet.....	1
6	00-538412	Clamp - Hose.....	1
7	00-947806	Pump & Motor Assy. (115/230 V., 50/60 Hz., 1 Ph./3 Ph.) (Incls. Capacitor).....	1
8	00-948126	Cable - Motor Assy. (Incls. Items 9 & 10).....	1
9	FE-022-84	Connector - Strain Relief.....	2
10	FE-024-88	Lock Nut 1/2 Electrical.....	1
11	00-538412	Clamp - Hose.....	1
12	00-948384	Hose - Pump Inlet.....	1
13	00-948420	Bracket - Motor Mount.....	1

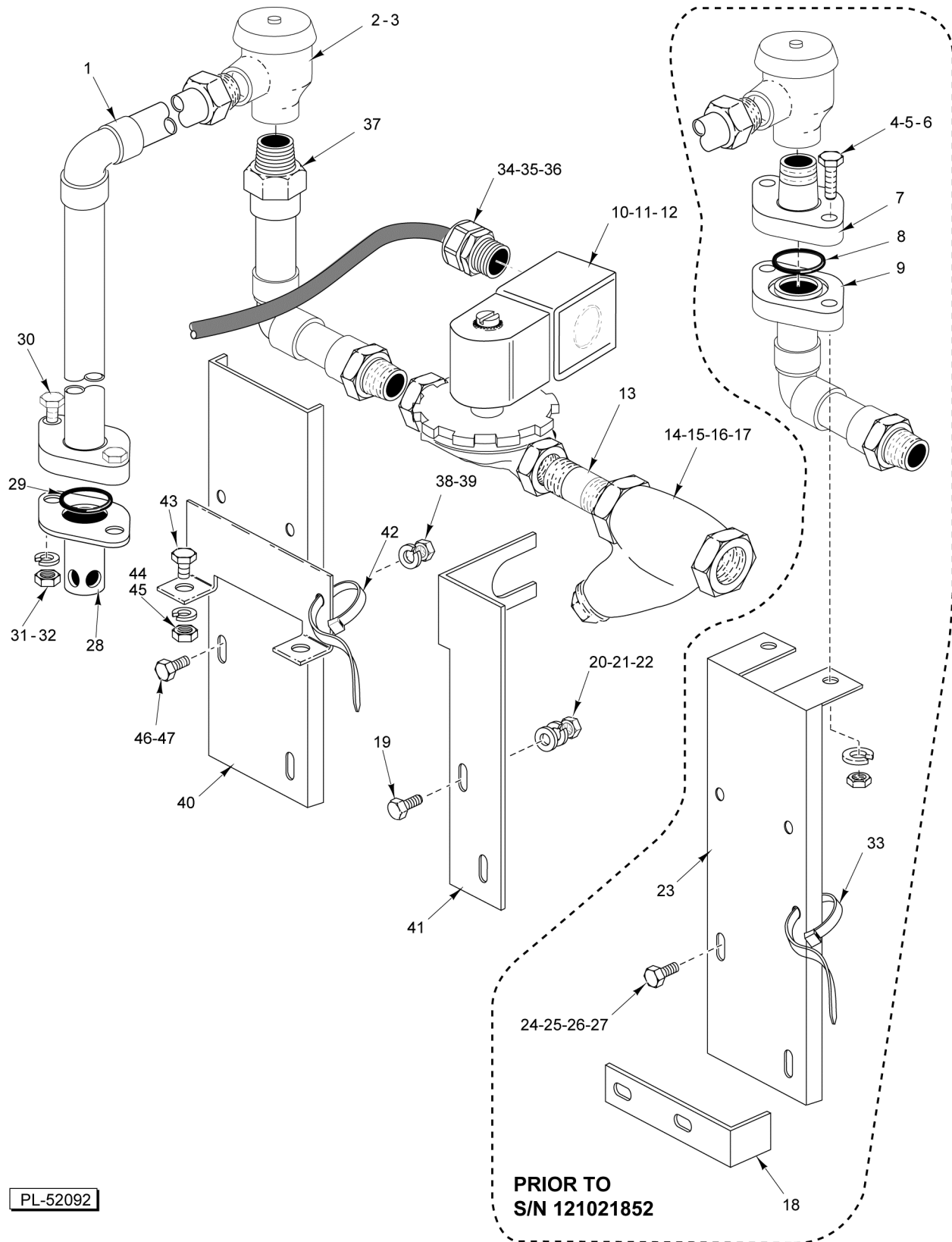


PL-57860

INSIDE WASH AND RINSE PIPING

INSIDE WASH AND RINSE PIPING

ILLUS.	PART NO.	NAME OF PART	AMT.
PL-57860			
1	SC-041-10	Cap Screw 5/16-18 x 5/8 Hex Hd. (SST).....	1
2	WL-6-23	Lockwasher 5/16 Medium SST.....	1
3	00-436215	Tube Assy. - Riser.....	1
4	00-436210-00003	Bearing Assy. - Wash Arm.....	2
5	00-436210-00001	Wash Arm Assy. (Incls. Item 6).....	2
6	00-474252	Cap - End.....	4
7	SC-041-13	Cap Screw 5/16-18 x 1 Hex Hd. (SST).....	4
8	WS-017-01	Washer 0.328 x 0.875 x 0.062 (SST).....	4
9	NS-036-19	Stop Nut 5/16-18 Hex (SST).....	4
10	00-893793	Manifold - Lower Wash Arm (Current Construction).....	1
11	00-436270-00002	Gasket.....	1
12	00-067500-00010	O-Ring.....	1
13	00-436217	Clamp - Riser.....	1
14	00-436214	Manifold - Lower Wash Arm (Previous Construction).....	1
15	00-436270	Gasket (Previous Construction).....	1

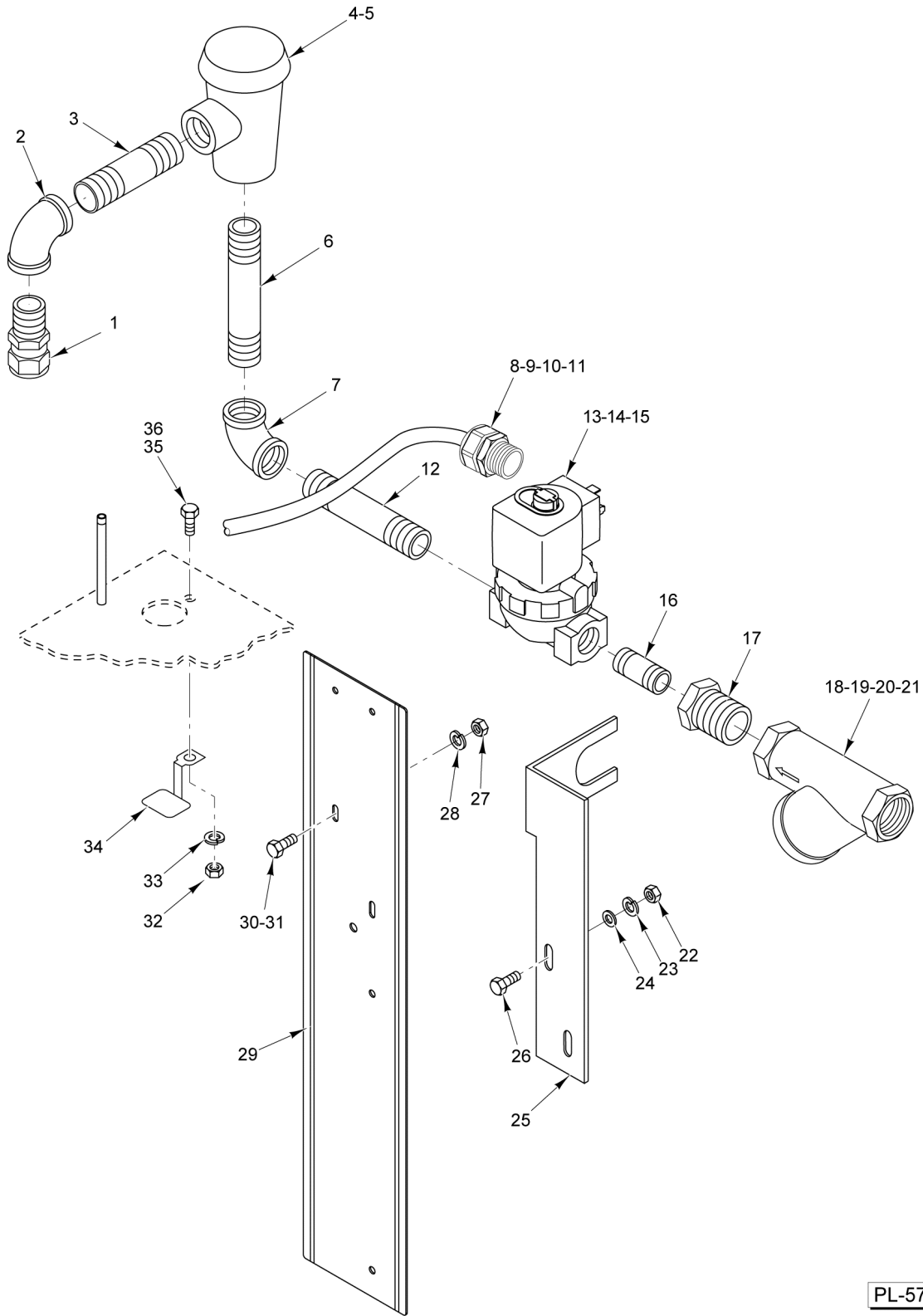


PL-52092

**FILL PIPING
(PREVIOUS CONSTRUCTION)**

**FILL PIPING
(PREVIOUS CONSTRUCTION)**

ILLUS. PL-52092	PART NO.	NAME OF PART	AMT.
1	00-293850	Tube & Flange Assy.....	1
2	00-277112	Vacuum Breaker (3/4).....	1
3	00-118270	Service Kit - Vacuum Breaker (Float & Seal Assy.).....	1
4	NS-015-11	Nut 5/16-18 Hex (SST).....	2
5	SC-041-16	Cap Screw 5/16-18 x 1-3/8 Hex Hd. (SST).....	2
6	WL-006-23	Lockwasher 5/16 Helical (SST).....	2
7	00-270751	Flange & Nipple Assy. (Prior to S/N 121021852).....	1
8	00-067500-00012	O-Ring (Prior to S/N 121021852).....	1
9	00-293849	Flange & Tube Assy. (Prior to S/N 121021852).....	1
10	00-271002-00001	Valve - Solenoid 3/4 (110-120 V.) (Incls. Items 11 & 12).....	1
11	00-271839-00001	Coil - Solenoid Valve.....	1
12	00-271838	Service Kit - 3/4 Solenoid Valve.....	1
13	FP-041-53	Pipe 3/4 x 1-3/4 TBE (Brass).....	1
14	00-186922	Strainer - Line (3/4 In.) (Brass) (Incls. Items 15, 16, & 17).....	1
15	00-186923	Plug - Branch.....	1
16	00-186924	Gasket - Branch Plug.....	1
17	00-186925	Screen - Line Strainer.....	1
18	00-270764	Support - Fill Piping (Prior to S/N 121021852).....	1
19	SC-041-05	Cap Screw 1/4-20 x 5/8 Hex Hd. (SST).....	2
20	WS-017-06	Washer (SST).....	2
21	WL-006-17	Lockwasher 1/4 Helical (SST).....	2
22	NS-015-01	Nut 1/4-20 Hex (SST).....	2
23	00-293572	Bracket - Fill Piping (Prior to S/N 121021852).....	1
24	SC-041-05	Cap Screw 1/4-20 x 5/8 Hex Hd. (SST).....	2
25	WS-017-06	Washer (SST).....	2
26	WL-006-17	Lockwasher 1/4 Helical (SST).....	2
27	NS-015-01	Nut 1/4-20 Hex (SST).....	2
28	00-474221	Inside Fill Piping Assy.....	1
29	00-067500-00012	O-Ring.....	1
30	SC-041-13	Cap Screw 5/16-18 x 1 Hex Hd. (SST).....	2
31	WL-006-23	Lockwasher 5/16 Helical (SST).....	2
32	NS-015-11	Nut 5/16-18 Hex (SST).....	2
33	00-113703	Cable Tie.....	1
34	FE-022-84	Connector - Strain Relief.....	2
35	FE-008-10	1/2 Gasket Assy.....	2
36	FE-024-88	Lock Nut 1/2 Electrical.....	2
37	00-474743	Piping - Final Rinse (Starting S/N 121021852).....	1
38	WL-006-17	Lockwasher 1/4 Helical (SST).....	2
39	NS-015-01	Nut 1/4-20 Hex (SST).....	2
40	00-474736	Bracket - Solenoid Box (Starting S/N 121021852).....	1
41	00-474739	Support - Fill Pipe (Starting S/N 121021852).....	1
42	00-113703	Cable Tie.....	1
43	SC-041-05	Cap Screw 1/4-20 x 5/8 Hex Hd. (SST).....	1
44	WL-006-17	Lockwasher 1/4 Helical (SST).....	1
45	NS-015-01	Nut 1/4-20 Hex (SST).....	1
46	SC-041-05	Cap Screw 1/4-20 x 5/8 Hex Hd. (SST).....	2
47	WS-017-06	Washer (SST).....	2

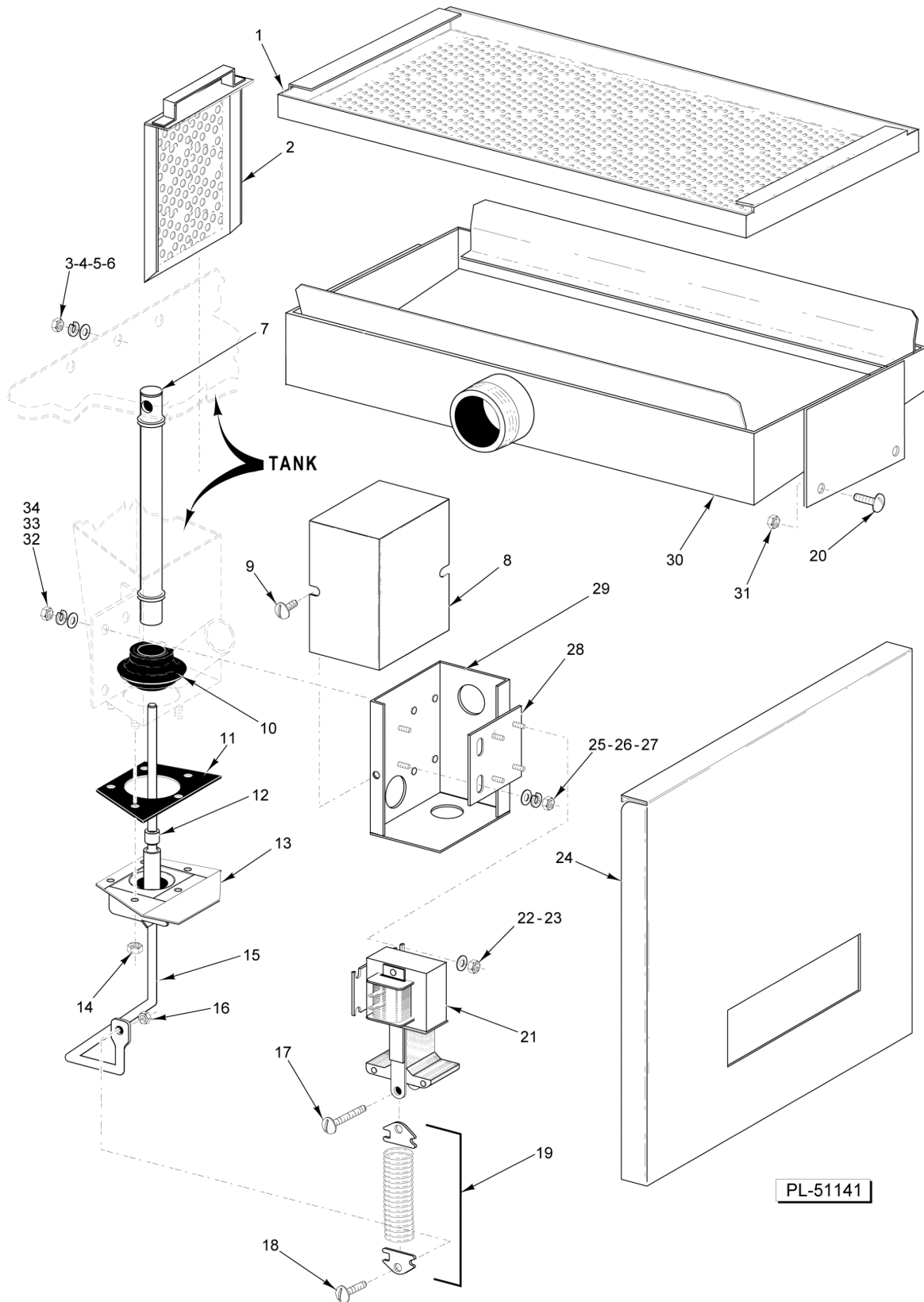


PL-57861

**FILL PIPING
(CURRENT CONSTRUCTION)**

**FILL PIPING
(CURRENT CONSTRUCTION)**

ILLUS.	PART NO.	NAME OF PART	AMT.
PL-57861			
1	00-069897-00001	Fitting - Compression.....	1
2	FP-015-16	Elbow - Pipe 1/2 x 90 Deg. (Brass).....	1
3	FP-040-62	Pipe 1/2 x 2-3/4 TBE.....	1
4	00-292909-00002	Vacuum Breaker 1/2 In.....	1
5	00-292910	Service Kit - Vacuum Breaker (1/2 In.) (Float & Seal Assy.).....	1
6	FP-040-62	Pipe 1/2 x 2-3/4 TBE.....	1
7	FP-015-16	Elbow - Pipe 1/2 x 90 Deg. (Brass).....	1
8	FE-022-84	Connector - Strain Relief.....	2
9	FE-008-10	1/2 Gasket Assy.....	2
10	FE-024-88	Lock Nut 1/2 Electrical.....	2
11	00-893950-00001	Cable.....	1
12	FP-040-62	Pipe 1/2 x 2-3/4 TBE.....	1
13	00-893100-00001	Solenoid Valve (1/2) (120 V.) (Incls. Items 14 & 15).....	1
14	00-892132	Coil - Solenoid Valve (120 V.).....	1
15	00-893101	Service Kit - 1/2 Solenoid Valve.....	1
16	FP-040-42	Pipe 1/2 x 1-1/8 TBE (Brass).....	1
17	FP-027-22	Bushing - Pipe 3/4 to 1/2 (Brass).....	1
18	00-186922	Strainer - Line (3/4 In.) (Brass) (Incls. Items 19, 20, & 21).....	1
19	00-186923	Plug - Branch.....	1
20	00-186924	Gasket - Branch Plug.....	1
21	00-186925	Screen - Line Strainer.....	1
22	NS-015-01	Nut 1/4-20 Hex (SST).....	2
23	WL-006-17	Lockwasher 1/4 Helical (SST).....	2
24	WS-017-06	Washer (SST).....	2
25	00-474739	Support - Fill Pipe.....	1
26	SC-041-05	Cap Screw 1/4-20 x 5/8 Hex Hd. (SST).....	2
27	NS-015-01	Nut 1/4-20 Hex (SST).....	2
28	WL-006-17	Lockwasher 1/4 Helical (SST).....	2
29	00-941202	Bracket - Solenoid Box.....	1
30	SC-041-05	Cap Screw 1/4-20 x 5/8 Hex Hd. (SST).....	3
31	WS-017-06	Washer (SST).....	2
32	NS-015-11	Nut 5/16-18 Hex (SST).....	2
33	WL-006-23	Lockwasher 5/16 Helical (SST).....	2
34	00-893920	Deflector - Fill.....	1
35	WS-017-06	Washer (SST).....	2
36	SC-041-13	Cap Screw 5/16-18 x 1 Hex Hd. (SST).....	2

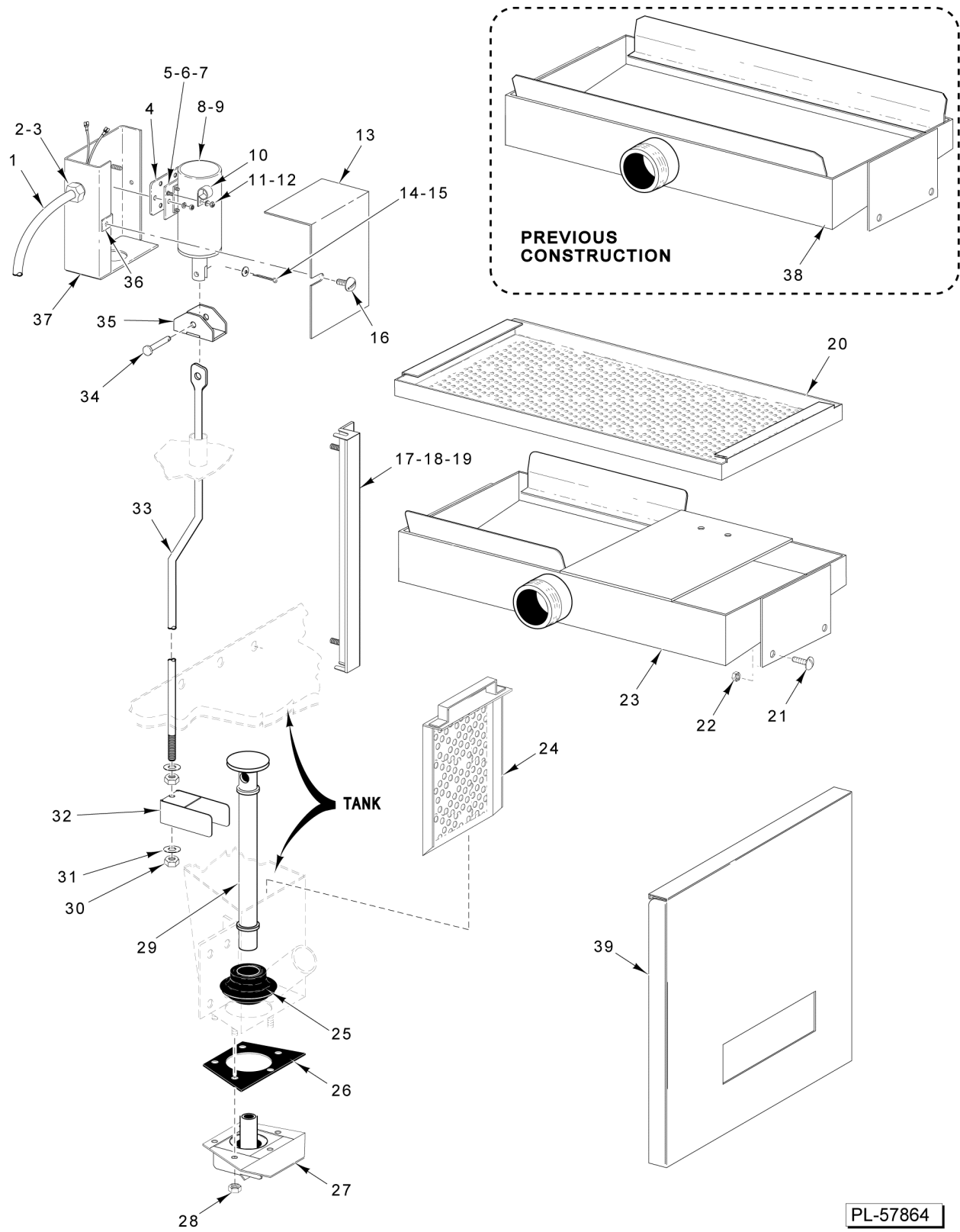


PL-51141

**DRAIN
(BEFORE S/N 121021852)**

**DRAIN
(BEFORE S/N 121021852)**

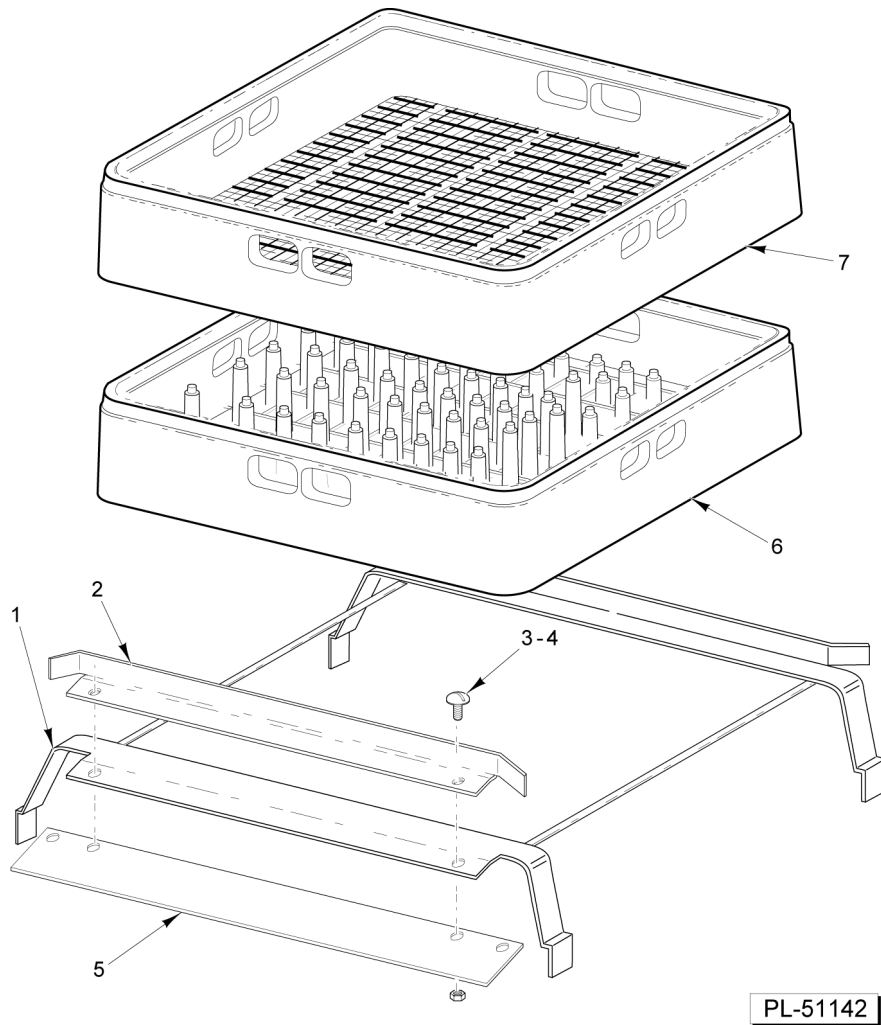
ILLUS. PL-51141	PART NO.	NAME OF PART	AMT.
1	00-436222	Pan - Strainer.....	1
2	00-436281	Strainer - Sump.....	1
3	NS-015-11	Nut 5/16-18 Hex (SST).....	3
4	WS-029-05	Washer 0.328 x 0.750 x 0.062 (SST).....	3
5	WL-006-23	Lockwasher 5/16 Helical (SST).....	3
6	SC-041-10	Cap Screw 5/16-18 x 5/8 Hex Hd. (SST).....	3
7	00-436247	Tube - Drain.....	1
8	00-436242	Cover - Solenoid.....	1
9	SC-053-05	Mach. Screw 10-24 x 3/8 Slotted Truss Hd. (SST).....	2
10	00-436248	Stopper - Drain.....	1
11	00-436206	Gasket - Sump.....	1
12	00-436279	Bearing - Drain.....	1
13	00-893413	Drain Chute Assy. (Incls. Item 12).....	1
14	NS-047-82	Stop Nut 1/4-20 Hex (SST).....	5
15	00-436234	Rod - Drain Lift.....	1
16	NS-031-15	Stop Nut 10-24 Hex (SST).....	2
17	SC-098-05	Mach. Screw 10-24 x 1-1/2 Slotted Rd. Hd. (SST).....	1
18	SC-021-25	Mach. Screw 10-24 x 3/4 Rd. Hd.....	1
19	00-436230	Spring Assy. - Drain.....	1
20	SC-021-25	Mach. Screw 10-24 x 3/4 Rd. Hd.....	4
21	00-041539	Solenoid.....	1
22	NS-031-15	Stop Nut 10-24 Hex (SST).....	4
23	WS-019-20	Washer 0.219 x 0.375 x 0.031 (SST).....	4
24	00-474905	Panel - Front (Optional).....	1
25	NS-015-01	Nut 1/4-20 Hex (SST).....	4
26	WL-006-17	Lockwasher 1/4 Helical (SST).....	4
27	WS-022-34	Washer.....	4
28	00-436241-00001	Bracket - Solenoid.....	1
29	00-436240-00001	Box - Solenoid.....	1
30	00-436223	Pan - Drain.....	1
31	NS-031-15	Stop Nut 10-24 Hex (SST).....	4
32	NS-015-01	Nut 1/4-20 Hex (SST).....	2
33	WL-006-17	Lockwasher 1/4 Helical (SST).....	2
34	WS-022-34	Washer.....	2



**DRAIN
(STARTING S/N 121021852)**

**DRAIN
(STARTING S/N 121021852)**

ILLUS. PL-57864	PART NO.	NAME OF PART	AMT.
1	00-294514-00009	NLA - Obsolete--Cable - Drain Solenoid.....	1
2	FE-022-84	Connector - Strain Relief.....	2
3	FE-024-88	Lock Nut 1/2 Electrical.....	2
4	00-893909	Spacer - Solenoid (Current Construction).....	1
5	00-893910	Plate - Solenoid Mounting (Current Construction).....	1
6	WL-006-17	Lockwasher 1/4 Helical (SST).....	2
7	NS-015-01	Nut 1/4-20 Hex (SST).....	2
8	SD-008-18	Self-Tapping Screw 8-18 x 3/8 Phil. Bndg. Hd., Type B.....	4
9	00-436312	Solenoid (Ledex, DC).....	1
10	00-078752-00010	Clamp - Retaining (Current Construction).....	1
11	WL-006-07	Lockwasher #10 Helical (SST).....	1
12	NS-011-18	Nut 10-24 Hex (SST).....	1
13	00-436305	Cover - Solenoid.....	1
14	WS-023-24	Washer.....	1
15	PC-005-02	Cotter Pin 1/16 x 1/2 (SST).....	1
16	SC-053-05	Mach. Screw 10-24 x 3/8 Slotted Truss Hd. (SST).....	2
17	00-936979	Cover - Drain Rod.....	1
18	WL-006-07	Lockwasher #10 Helical (SST).....	2
19	NS-011-18	Nut 10-24 Hex (SST).....	2
20	00-436222	Pan - Strainer.....	1
21	SC-021-25	Mach. Screw 10-24 x 3/4 Rd. Hd.....	4
22	NS-031-15	Stop Nut 10-24 Hex (SST).....	2
23	00-893792	Pan - Drain (Current Construction).....	1
24	00-436281	Strainer - Sump.....	1
25	00-436248	Stopper - Drain.....	1
26	00-436206	Gasket - Sump.....	1
27	00-893413	Drain Chute Assy.....	1
28	NS-047-82	Stop Nut 1/4-20 Hex (SST).....	5
29	00-474220	Tube - Drain.....	1
30	NS-015-11	Nut 5/16-18 Hex (SST).....	2
31	WL-006-23	Lockwasher 5/16 Helical (SST).....	2
32	00-947856	Bracket - Drain Lift.....	1
33	00-436303	Rod - Lift Drain.....	1
34	00-436313	Pin - Clevis.....	1
35	00-947857	Stop - Drain Lift Weldment.....	1
36	00-074348	Speed Nut 10-24.....	2
37	00-436304-00001	Box - Solenoid.....	1
38	00-436223	Pan - Drain (Previous Construction).....	1
39	00-474905	Panel - Front (Optional).....	1



PL-51142

TRACK AND RACKS

TRACK AND RACKS

ILLUS.	PART NO.	NAME OF PART	AMT.
PL-51142			
1	00-435036	Track Weldment.....	1
2	00-185050	Side - Rack Track.....	1
3	SC-053-02	Mach. Screw 10-24 x 1/2 Slotted Truss Hd. (SST).....	4
4	NS-031-15	Stop Nut 10-24 Hex (SST).....	4
5	00-185053	Guard - Door Splash.....	1
6	00-315191	Rack - Peg (Packaged) (Optional).....	1
7	00-315193	Rack - Combination (Packaged) (Optional).....	1

