



CATALOG OF REPLACEMENT PARTS



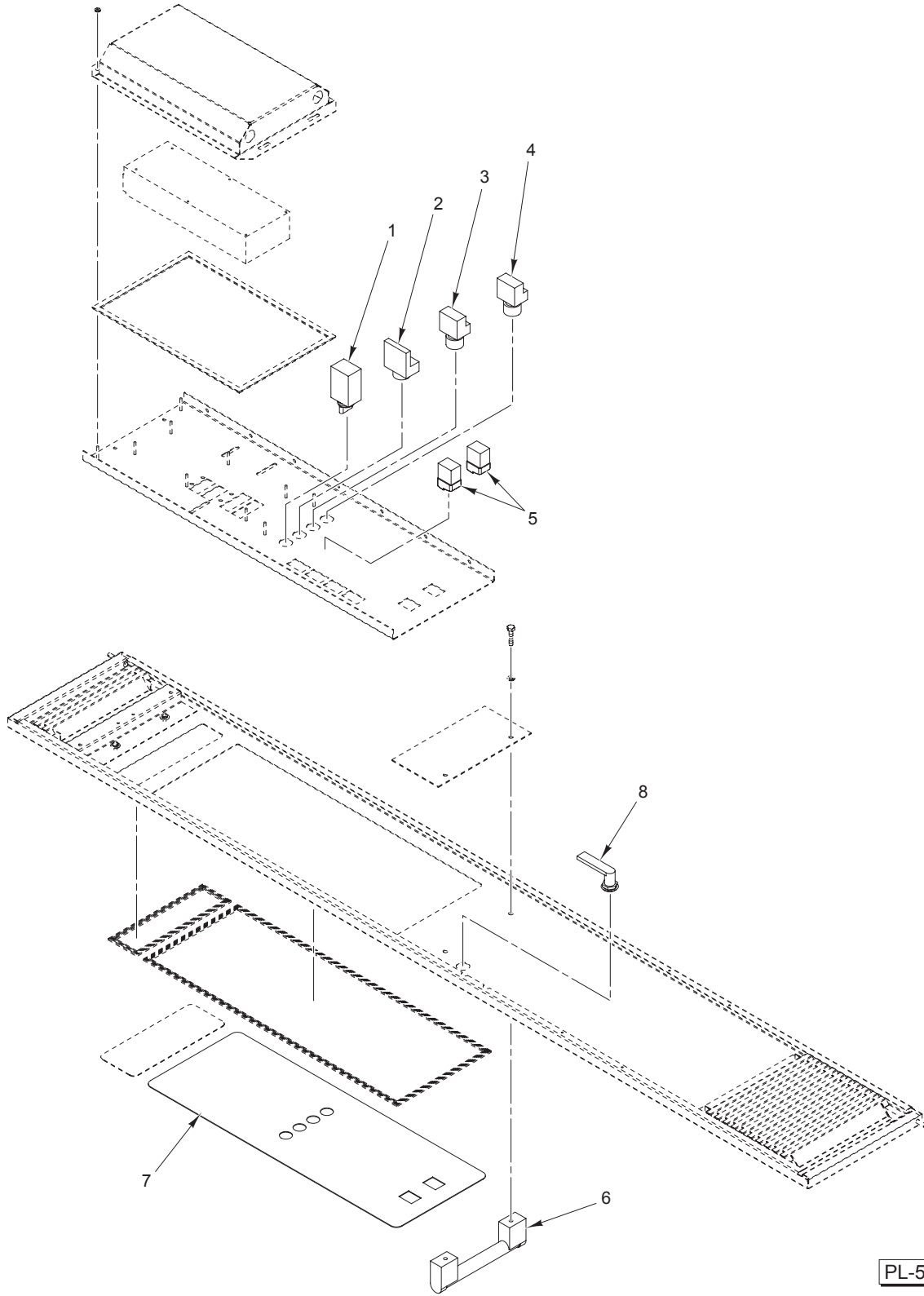
LUCKS M SERIES ELECTRIC RACK OVEN

M15E-R
M15E-RM
M15E-R-OV
M15E-RM-OV

M20E-R
M20E-RM

Table Of Contents

| | |
|----|----------------------------|
| 5 | CONTROLS |
| 7 | ELECTRICAL COMPONENTS |
| 9 | DOOR |
| 11 | CABINET, PANELS, AND LIGHT |
| 13 | LIFTER AND ROTATOR |
| 15 | BLOWER AND VENT |
| 17 | WATER SUPPLY |
| 18 | HOOD |
| 19 | ELECTRIC HEAT |

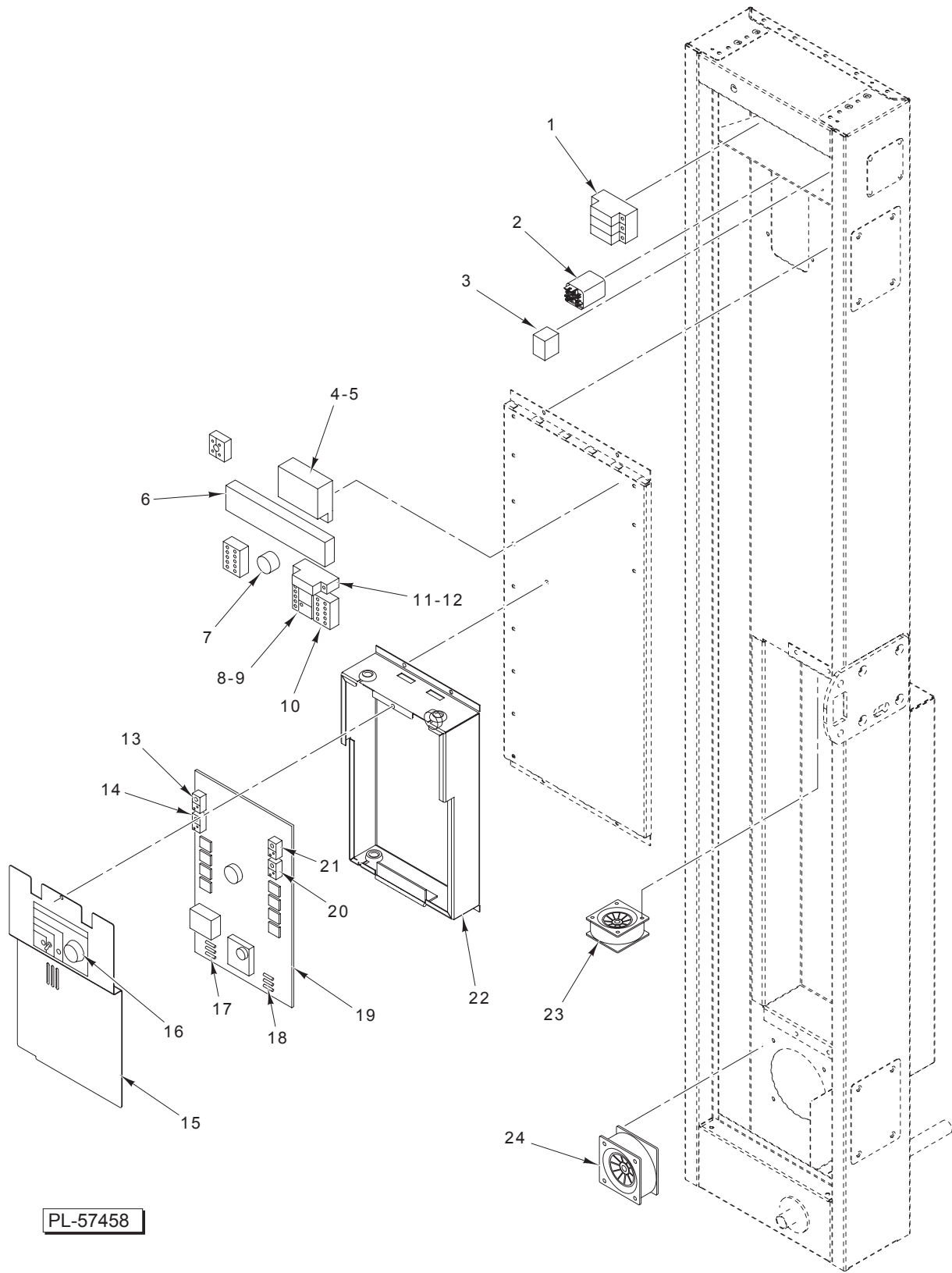


PL-57457

CONTROLS

CONTROLS

| ILLUS. | PART NO. | NAME OF PART | AMT. |
|----------|-----------|--|------|
| PL-57457 | | | |
| 1 | 01-207335 | Switch – Vent | 1 |
| 2 | 01-206774 | Switch – Push Button (Steam) | 1 |
| 3 | 01-206773 | Switch – Push Button (Stop) | 1 |
| 4 | 01-206772 | Switch – Push Button (Start) | 1 |
| 5 | 01-206771 | Switch – Push Button (Power/Light) | 2 |
| 6 | 01-207835 | Handle – Kason | 1 |
| 7 | 01-207221 | Overlay – Control Panel | 1 |
| 8 | 01-110502 | Latch – Door (Non-Keyed) | 1 |
| | 01-630524 | Control Panel Assy. (Safeway) | 1 |
| | 01-630523 | Control Panel Assy. (Standard) | 1 |

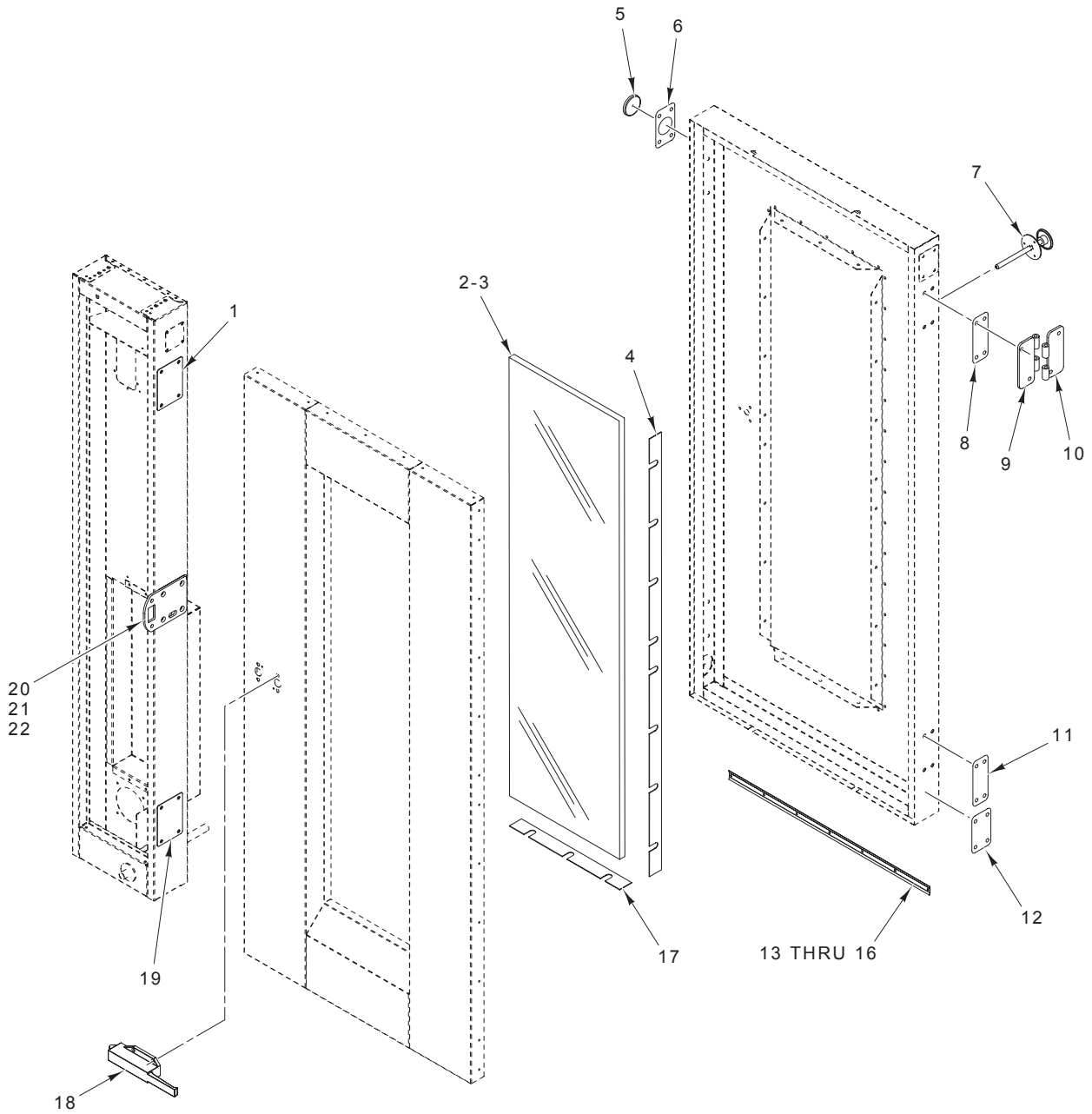


PL-57458

ELECTRICAL COMPONENTS

ELECTRICAL COMPONENTS

| ILLUS. | PART NO. | NAME OF PART | AMT. |
|----------|-----------------|--|------|
| PL-57458 | | | |
| 1 | 01-206914 | Circuit Breaker (220-480 V., 20 Amp., 3 Pole) | 1 |
| 2 | 01-207799 | Relay (120 VAC, 30 Amp.) (Exhaust Fan) | 1 |
| 3 | 01-207791 | Switch – Magnetic (Door Switch) | 1 |
| 4 | 01-1000V6-00254 | Control – Hi-Limit | 1 |
| 5 | 01-630946 | Kit – Thermocouple | 1 |
| 6 | 01-207231 | Ballast (120 V., 2 Lamp) | 1 |
| 7 | 01-100V10-00034 | Buzzer | 1 |
| 8 | 01-207296 | Relay – Overload (6.0-9.6 Amp., 1 Ph.) (Circulation Fan) | 1 |
| 9 | 01-207411 | Relay – Overload (1.6-2.4 Amp., 3 Ph.) (Rack Turn) | 1 |
| 10 | 01-207294 | Contactactor – Mini (120 V., 12 Amp.) | 1 |
| 11 | 01-630450 | Circuit Breaker Assy. (208 V., 40 Amp.) (M15) | 1 |
| 12 | 01-630451 | Circuit Breaker Assy. (208 V., 50 Amp.) (M20) | 1 |
| 13 | 01-207355 | Relay (12 VDC, 15 Amp.) (Rack Up) | 1 |
| 14 | 01-207355 | Relay (12 VDC, 15 Amp.) (Roof Fan) | 1 |
| 15 | 01-630449 | Component Mount Cover – Front | 1 |
| 16 | 01-630904 | Kit – Back-Up Controls | 1 |
| 17 | 01-207345 | Fuse – ABC (15 Amp.) (I/O Board) | 3 |
| 18 | 01-207346 | Fuse – ABC (3 Amp.) (I/O Board) | 3 |
| 19 | 01-630534 | I/O Board Assy. (Incls. Items 13 thru 18, 20, 21, & 22) | 1 |
| 20 | 01-207355 | Relay (12 VDC, 15 Amp.) (Lights) | 1 |
| 21 | 01-207355 | Relay (12 VDC, 15 Amp.) (Rack Down) | 1 |
| 22 | 01-630448 | Component Mount Cover – Back | 1 |
| 23 | 01-207288 | Fan – Axial (3 In.) | 1 |
| 24 | 01-206810 | Fan – Axial (4 In.) | 1 |
| | 01-205695 | Terminal Block, Power Distribution (480 V., 175 Amp., 3 Pole) (M20 Series) | 1 |
| | 01-207170 | Contactactor (50 Amp., 120 V. Coil) (M20 Series) | 3 |

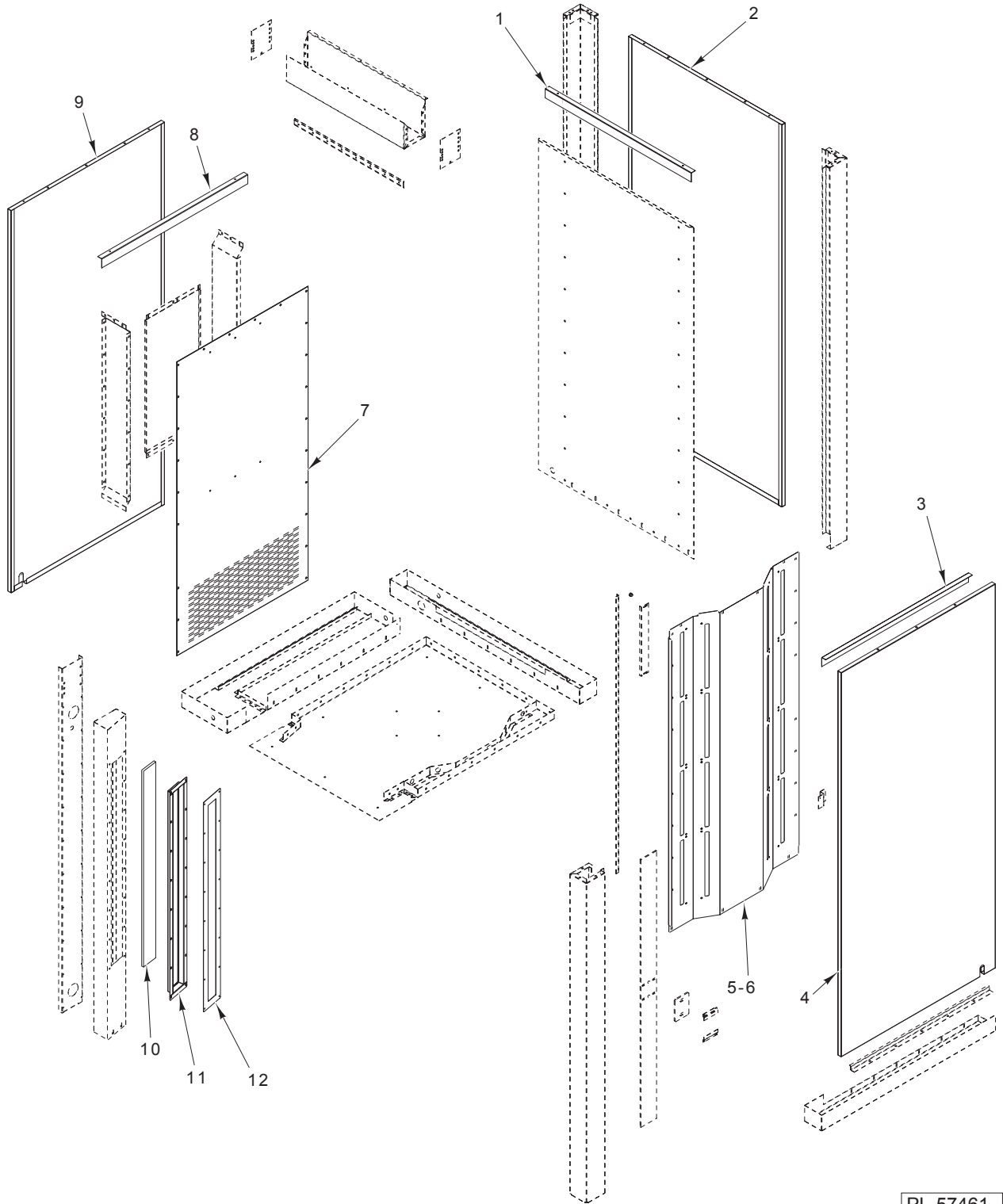


PL-57459

DOOR

DOOR

| ILLUS. PL-57459 | PART NO. | NAME OF PART | AMT. |
|--------------------|-----------|---|--------|
| 1 | 01-630288 | Cover – Hinge Hole (Vanity) | 1 |
| 2 | 01-115007 | Window – Tempered (3-Pane) | 1 |
| 3 | 01-115009 | Channel – Silicone Gasket (Window) | 13 Ft. |
| 4 | 01-630151 | Strip – Window Retainer (Vertical) | 2 |
| 5 | 01-207814 | Magnet – Shallow Pot | 1 |
| 6 | 01-630430 | Cover Plate (With Hole) (Use With Item 5) | 1 |
| 7 | 01-630717 | Release – Door Inside | 1 |
| 8 | 01-630166 | Plate – Door Hinge Spacer | 1 |
| 9 | 01-630554 | Hinge – Door Half | 2 |
| 10 | 01-630551 | Hinge – Mullion Half | 2 |
| 11 | 01-630166 | Plate – Door Hinge Spacer | 1 |
| 12 | 01-630431 | Plate – Cover (W/O Hole) | 1 |
| 13 | 01-630848 | Retainer – Door Sweep (M15 Series) | 1 |
| 14 | 01-630754 | Retainer – Door Sweep (M20 Series) | 1 |
| 15 | 01-207649 | Gasket – Fiberglass (Sweep) (M15 Series) | 3 Ft. |
| 16 | 01-207649 | Gasket – Fiberglass (Sweep) (M20 Series) | 4 Ft. |
| 17 | 01-630150 | Strip – Window Retainer (Horizontal) | 2 |
| 18 | 01-207785 | Door Handle Outer Assy. | 1 |
| 19 | 01-630288 | Cover – Hinge Hole (Vanity) | 1 |
| 20 | 01-630660 | Shim (12 GA) Door Latch Plate | 1 |
| 21 | 01-630659 | Shim (0.250) Door Latch Plate | 1 |
| 22 | 01-630300 | Plate – Strike | 1 |

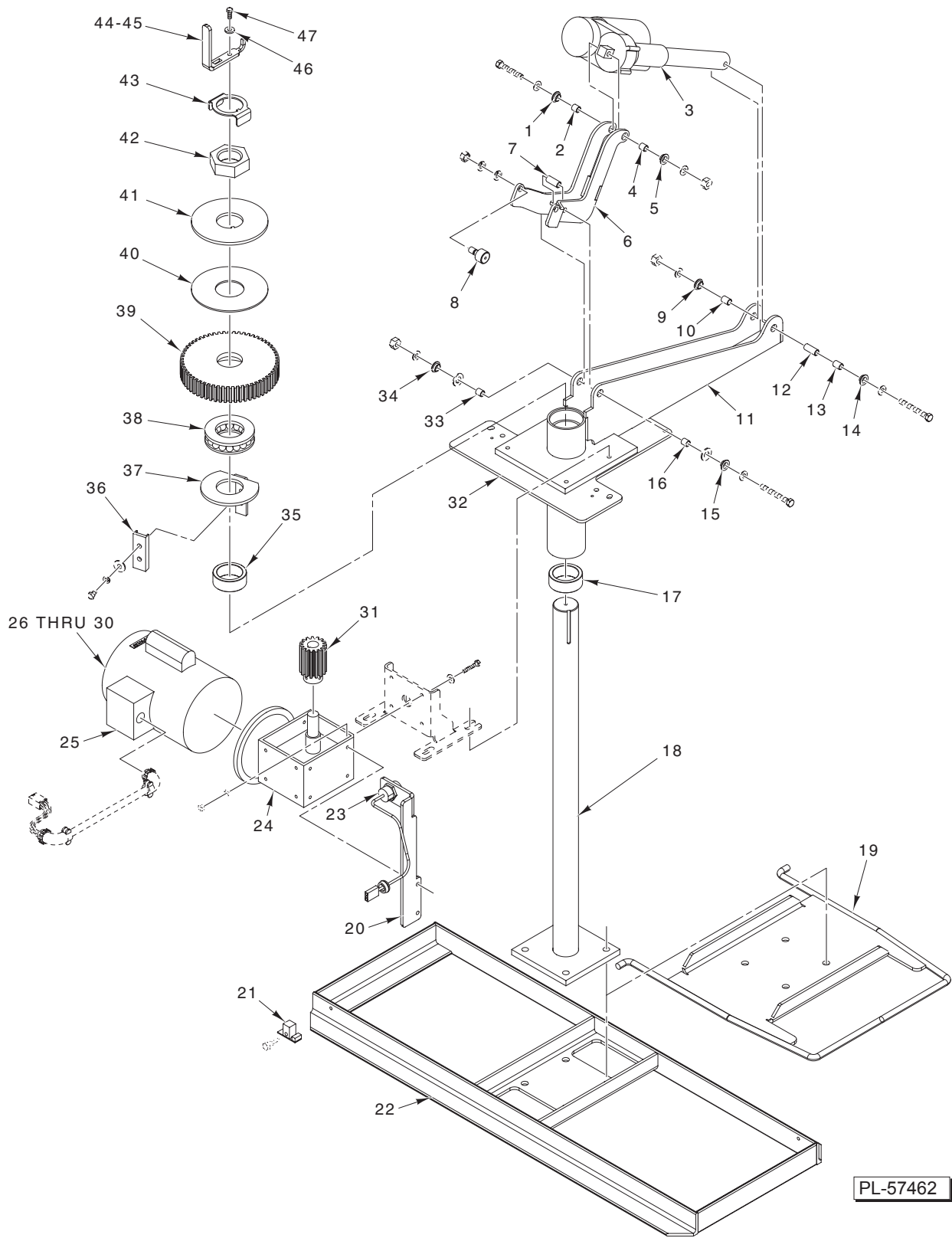


PL-57461

CABINET, PANELS, AND LIGHT

CABINET, PANELS, AND LIGHT

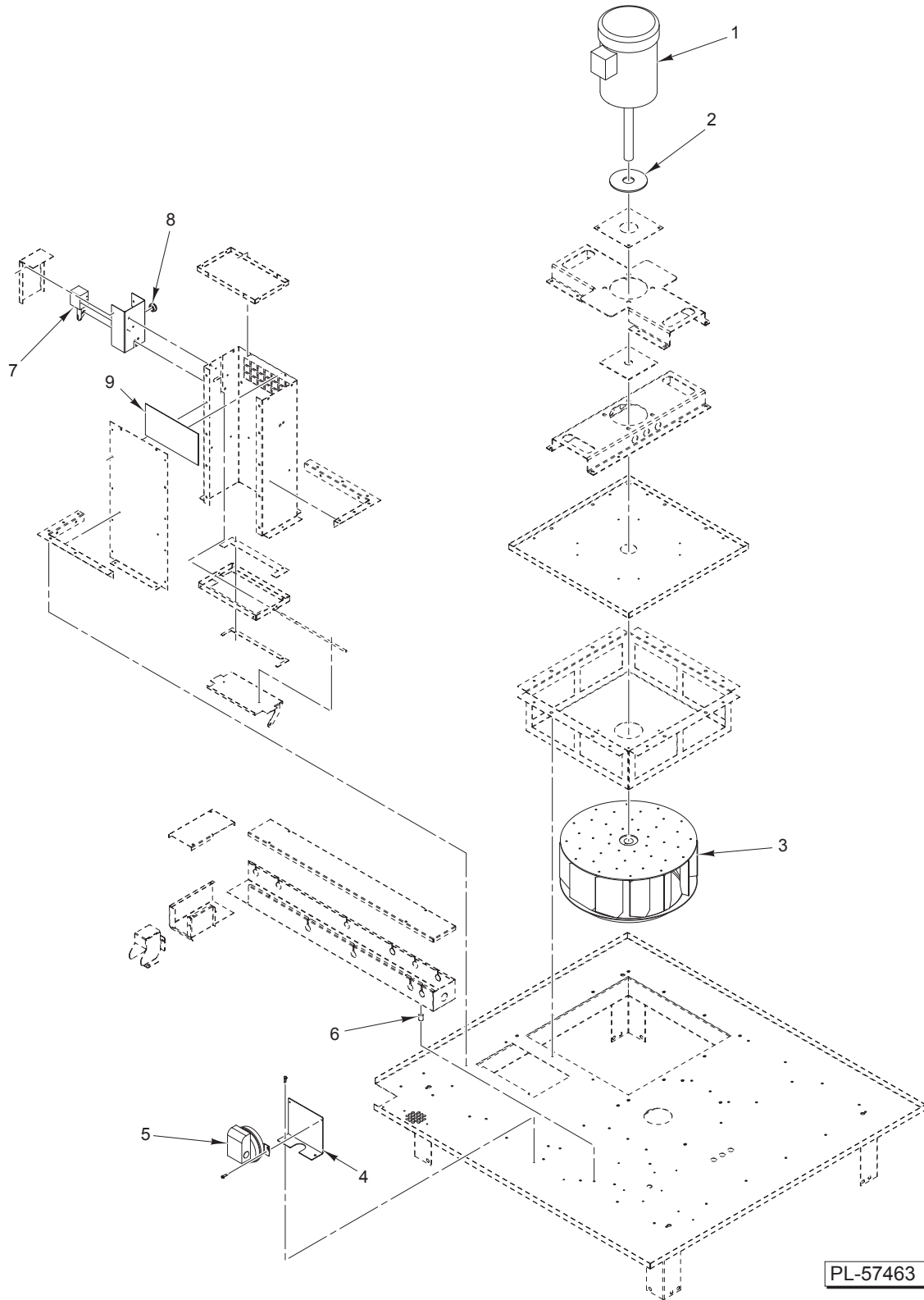
| ILLUS. | PART NO. | NAME OF PART | AMT. |
|----------|-----------|---|------|
| PL-57461 | | | |
| 1 | 01-630168 | Hanger – Outer Wall | 1 |
| 2 | 01-630167 | Panel – Outer Wall | 1 |
| 3 | 01-630168 | Hanger – Outer Wall | 1 |
| 4 | 01-630167 | Panel – Outer Wall | 1 |
| 5 | 01-630012 | Wall – Air (M15) | 1 |
| 6 | 01-630193 | Panel – Air Wall (M20) | 1 |
| 7 | 01-630192 | Perf Sheet | 1 |
| 8 | 01-630168 | Hanger – Outer Wall | 1 |
| 9 | 01-630167 | Panel – Outer Wall | 1 |
| 10 | 01-630039 | Glass – Window | 1 |
| 11 | 01-630038 | Holder – Light Box Glass | 1 |
| 12 | 01-630037 | Overlay – Light Box | 1 |
| | 01-207016 | Lampholder | 4 |
| | 01-207232 | Lamp T-8 M-R15 F032750 (Local Purchase) | 2 |



LIFTER AND ROTATOR

LIFTER AND ROTATOR

| ILLUS. | PART NO. | NAME OF PART | AMT. |
|--------|-----------|--|------|
| | PL-57462 | | |
| 1 | 01-207272 | Bushing – Bronze Flange (1/2 x 5/8 x 1/4) | 1 |
| 2 | 01-630176 | Insert – Rack Lift Bushing Short | 1 |
| 3 | 01-630943 | Actuator Assy. – Cam Bracket (750 Lbs., 4 In. Travel) | 1 |
| 4 | 01-630176 | Insert – Rack Lift Bushing Short | 1 |
| 5 | 01-207272 | Bushing – Bronze Flange (1/2 x 5/8 x 1/4) | 1 |
| 6 | 01-630901 | Arm Assy. | 1 |
| 7 | 01-630491 | Spacer – Rack Lift | 1 |
| 8 | 01-631144 | Cam – Follower (Zerc Assy.) | 2 |
| 9 | 01-207272 | Bushing – Bronze Flange (1/2 x 5/8 x 1/4) | 1 |
| 10 | 01-630601 | Bushing – Rack Lift Long Sleeve | 1 |
| 11 | 01-630182 | Side – Rack Lift | 2 |
| 12 | 01-630491 | Spacer – Rack Lift | 1 |
| 13 | 01-630601 | Bushing – Rack Lift Long Sleeve | 1 |
| 14 | 01-207272 | Bushing – Bronze Flange (1/2 x 5/8 x 1/4) | 1 |
| 15 | 01-207272 | Bushing – Bronze Flange (1/2 x 5/8 x 1/4) | 1 |
| 16 | 01-630176 | Insert – Rack Lift Bushing Short | 1 |
| 17 | 01-630420 | Bushing – Graphite (2 x 2 ⁵ / ₈ x 1) | 1 |
| 18 | 01-630280 | Shaft – Rack Lift Assy. | 1 |
| 19 | 01-630796 | Rack Lift Carriage Assy. (M15 Series) | 1 |
| 20 | 01-630732 | Bracket – Rack Lift Position Sensor | 1 |
| 21 | 01-113071 | Latch Assy. – Rack Carriage (M20 Series) | 2 |
| 22 | 01-630987 | Rack Lift Carriage Assy. (M20 Series) | 1 |
| 23 | 01-207245 | Sensor – Prox (12 VDC) | 1 |
| 24 | 01-071632 | Gearbox | 1 |
| 25 | 01-207599 | Circuit Breaker – D-Curve (6 Amp., 1 Ph.) | 1 |
| 26 | 01-207600 | Rack Turn Motor (1 Ph., 1140 RPM, 1/8 Hp.) | 1 |
| 27 | 01-631163 | Kit – Rack Turn Motor (1 Ph.) | 1 |
| 28 | 01-071633 | Rack Turn Motor (3 Ph., 1140 RPM, 1/8 Hp.) | 1 |
| 29 | 01-207243 | Gearbox/Motor Assy. (1 Ph.) | 1 |
| 30 | 01-207631 | Gearbox/Motor Assy. (3 Ph.) | 1 |
| 31 | 01-207265 | Gear – 15 Tooth Rack Turn | 1 |
| 32 | 01-630011 | Rack Lift & Turn Assy. (Incls. Item 11) | 1 |
| 33 | 01-630176 | Insert – Rack Lift Bushing Short | 1 |
| 34 | 01-207272 | Bushing – Bronze Flange (1/2 x 5/8 x 1/4) | 1 |
| 35 | 01-630420 | Bushing – Graphite (2 x 2 ⁵ / ₈ x 1) | 1 |
| 36 | 01-630353 | Sleeve – Rack Turn Stop | 1 |
| 37 | 01-630237 | Stop – Rack Turn Gear | 1 |
| 38 | 01-206199 | Bearing – Thrust | 1 |
| 39 | 01-630769 | Gear – 60 Tooth Rack Turn | 1 |
| 40 | 01-630736 | Pad – Clutch-Rack Turn | 1 |
| 41 | 01-630238 | Washer – Rack Lift Shaft | 1 |
| 42 | 01-630768 | Nut – Machined Rack Shaft | 1 |
| 43 | 01-630752 | Retainer – Rack Shaft Nut | 1 |
| 44 | 01-630354 | Angle – Rack Position Indicator Arm (M15 Series) | 1 |
| 45 | 01-630354 | Angle – Rack Position Indicator Arm (M20 Series) | 2 |
| 46 | WS-005-36 | Washer | 2 |
| 47 | SC-124-14 | Cap Screw 5/16-18 x 7/8 Hex Hd. | 1 |

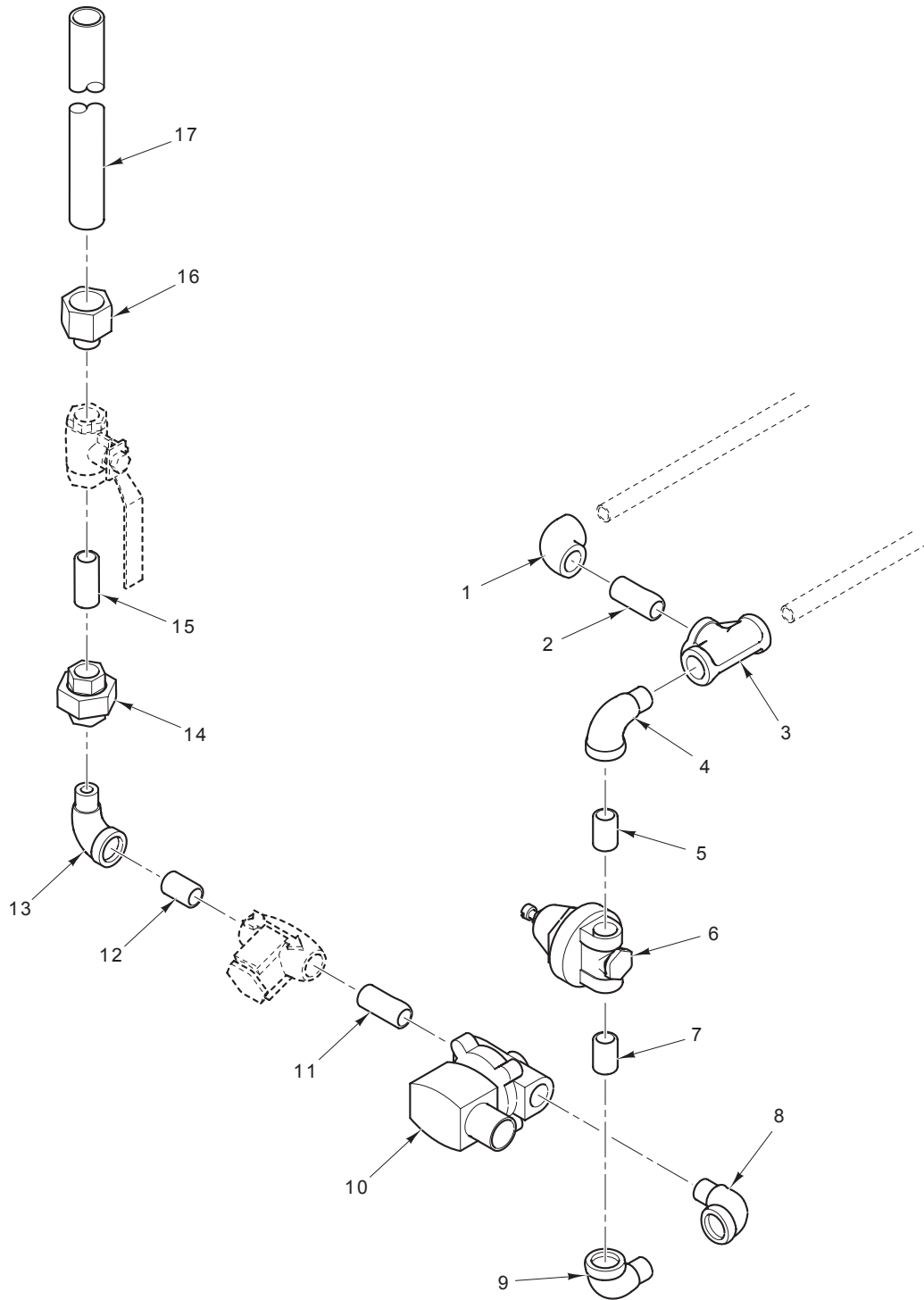


PL-57463

BLOWER AND VENT

BLOWER AND VENT

| ILLUS. | PART NO. | NAME OF PART | AMT. |
|----------|-----------|--|------|
| PL-57463 | | | |
| 1 | 01-207284 | Motor – Circulation Fan | 1 |
| 2 | 01-111667 | Slinger – Heat | 1 |
| 3 | 01-630408 | Fan – Circulation (16 In.) | 1 |
| 4 | 01-631109 | Bracket – DP Switch | 1 |
| 5 | 01-631110 | Kit – DP Switch | 1 |
| 6 | 01-630846 | Tube – J-Box Stand Off | 6 |
| 7 | 01-630560 | Solenoid (120 VAC) | 1 |
| 8 | 01-065007 | Bushing – Rondale | 1 |
| 9 | 01-207447 | Gasket 1/16 x 9 x 4 5/8 (Red Silicone) | 1 |
| | 01-630890 | Power Vent Assy. | 1 |

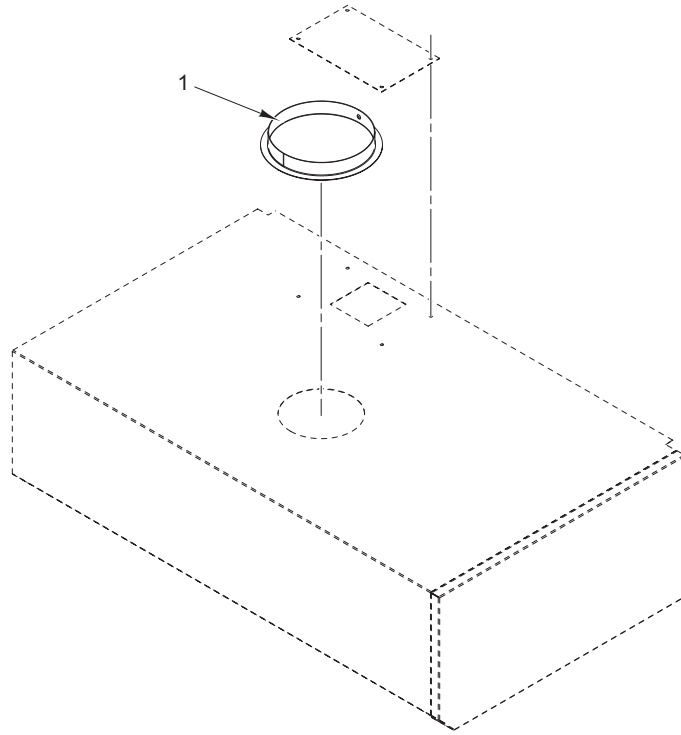


PL-57465

WATER SUPPLY

WATER SUPPLY

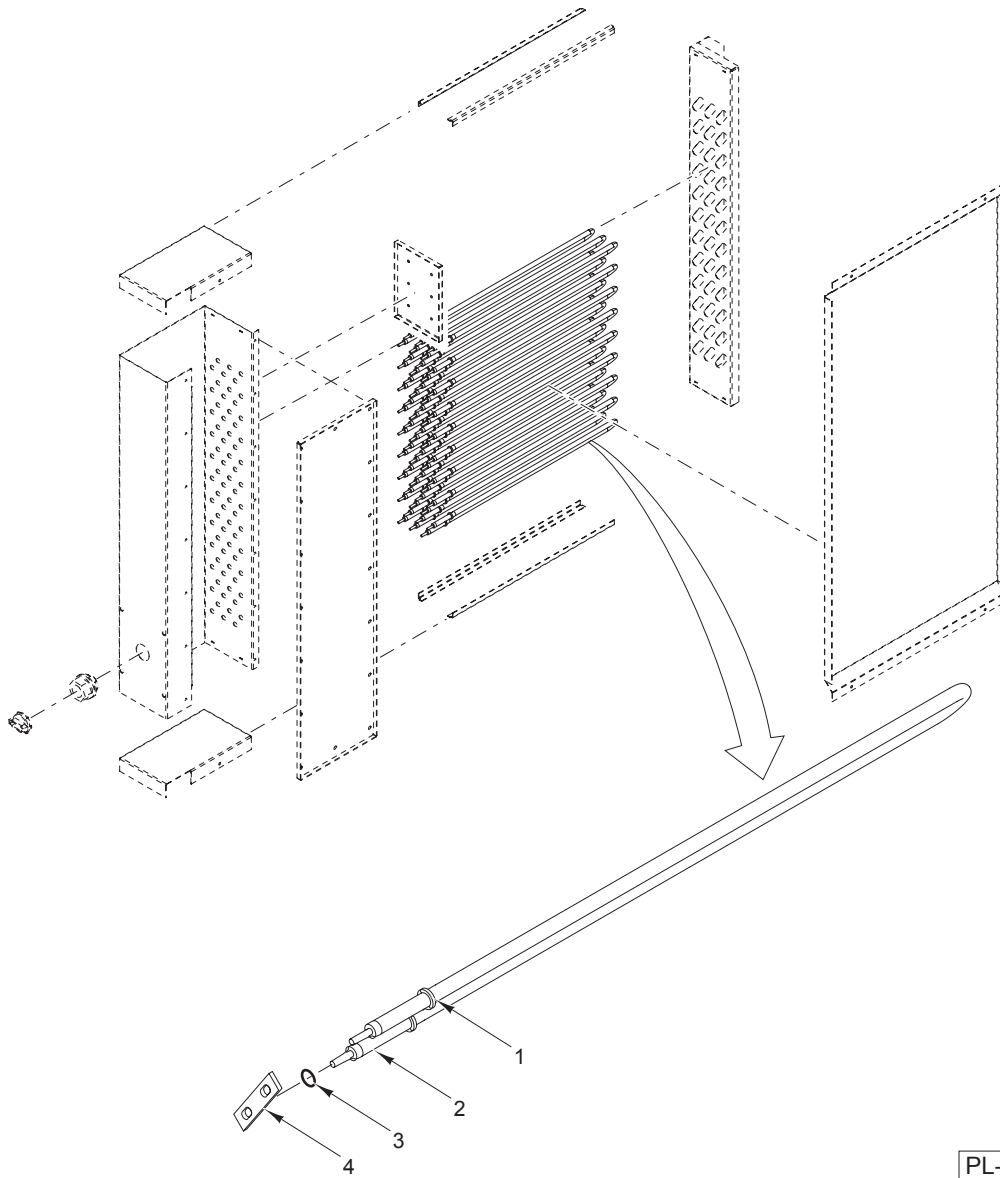
| ILLUS. | PART NO. | NAME OF PART | AMT. |
|----------|-----------|--|------|
| PL-57465 | | | |
| 1 | 01-207466 | Elbow – Pipe $\frac{3}{8}$ x 90 Deg. | 1 |
| 2 | 01-207468 | Pipe $\frac{3}{8}$ x $1\frac{1}{2}$ | 1 |
| 3 | 01-207469 | Tee – Pipe $\frac{3}{8}$ x $\frac{3}{8}$ x $\frac{3}{8}$ | 1 |
| 4 | 01-205081 | Elbow – Street $\frac{3}{8}$ x 90 Deg. | 1 |
| 5 | 01-207470 | Pipe $\frac{3}{8}$ x CL | 1 |
| 6 | 01-205683 | Regulator – Water Pressure | 1 |
| 7 | 01-207470 | Pipe $\frac{3}{8}$ x CL | 1 |
| 8 | 01-205081 | Elbow – Street $\frac{3}{8}$ x 90 Deg. | 1 |
| 9 | 01-205081 | Elbow – Street $\frac{3}{8}$ x 90 Deg. | 1 |
| 10 | 01-206416 | Solenoid Valve $\frac{3}{8}$ In. (120 V.) | 1 |
| 11 | 01-207468 | Pipe $\frac{3}{8}$ x $1\frac{1}{2}$ | 1 |
| 12 | 01-207470 | Pipe $\frac{3}{8}$ x CL | 1 |
| 13 | 01-205081 | Elbow – Street $\frac{3}{8}$ x 90 Deg. | 1 |
| 14 | 01-207302 | Pipe – Union $\frac{3}{8}$ (Brass) | 1 |
| 15 | 01-207468 | Pipe $\frac{3}{8}$ x $1\frac{1}{2}$ | 1 |
| 16 | 01-206931 | Reducer – Pipe $\frac{3}{8}$ to $\frac{1}{2}$ (Brass) | 1 |
| 17 | 01-630706 | Pipe $\frac{1}{2}$ x $75\frac{1}{2}$ | 1 |



PL-57460

HOOD

| ILLUS. PL-57460 | PART NO. | NAME OF PART | AMT. |
|--------------------|-----------|--------------------------------------|------|
| 1 | 01-631005 | Stack Adapter (W/Fitting Hole) | 1 |



ELECTRIC HEAT

| ILLUS. | PART NO. | NAME OF PART | AMT. |
|----------|-----------|--------------------------------|------|
| PL-57464 | | | |
| 1 | 01-207169 | Clip – Retaining 7/16 In. | 48 |
| 2 | 01-207818 | Element (120 V., 1500 W.) | 24 |
| 3 | 01-111163 | Gasket – Heating Element | 48 |
| 4 | 01-205246 | Bar – Bus 2 In. | 16 |

