



# CATALOG OF REPLACEMENT PARTS



## LUCKS M SERIES GAS RACK OVEN

M15G-R  
M15G-RM  
M15G-R-OV  
M15G-RM-OV  
M15G-RM-CGB

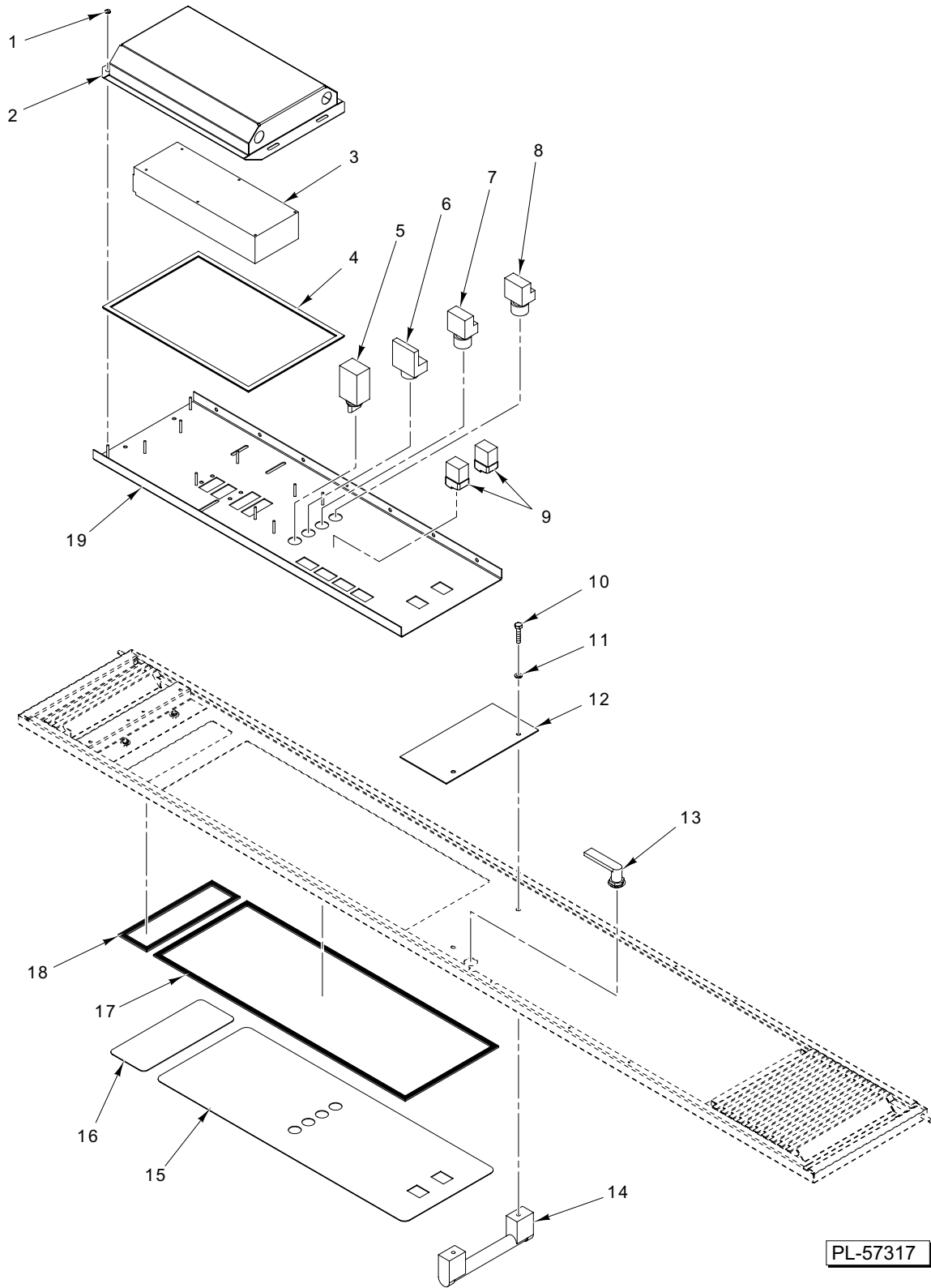
M20G-R  
M20G-RM  
M20G-R-OV  
M20G-RM-OV  
M20G-RM-CGB



**Table Of Contents**

5	CONTROLS
7	COMPONENTS
9	DOOR UNIT
11	HOOD UNIT
13	CABINET, PANELS, AND LIGHT UNIT
14	LIFTER AND ROTATOR
17	BLOWER AND VENT
19	GAS BURNER AND BLOWER UNIT
21	WATER SUPPLY
23	STEAM GENERATOR

**LUCKS M SERIES GAS RACK OVEN REPLACEMENT PARTS**

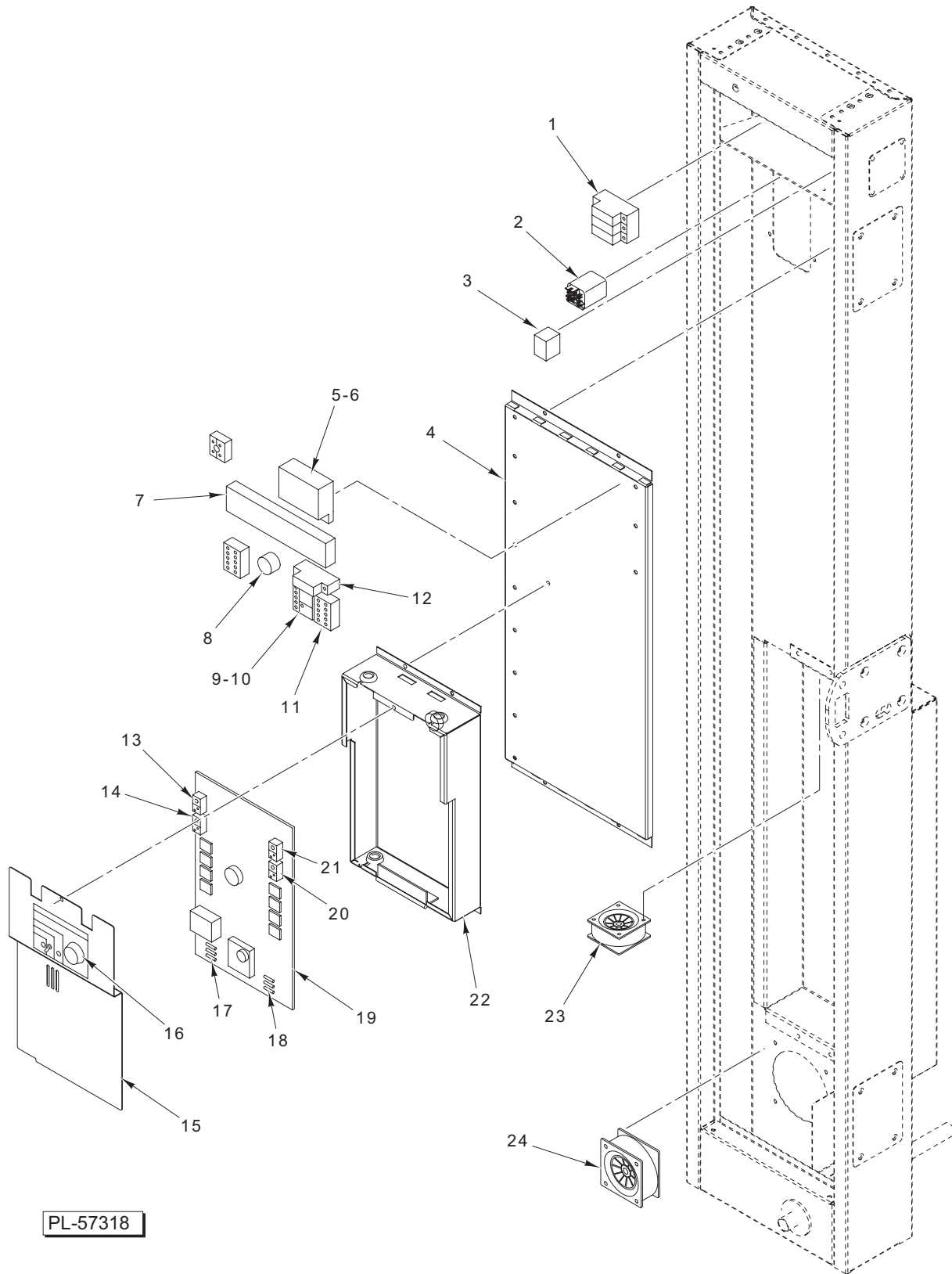


PL-57317

**CONTROLS**

**CONTROLS**

ILLUS. PL-57317	PART NO.	NAME OF PART	AMT.
1	01-205173	Nut 6-32 Hex "KEPS" (Zinc) .....	4
2	01-630435	Control Enclosure .....	1
3	01-206616	Lucks Universal Control Board .....	1
4	01-115017	Gasket – Control Enclosure .....	1
5	01-207335	Switch – Vent .....	1
6	01-206774	Switch – Push Button (Steam) .....	1
7	01-206773	Switch – Push Button (Stop) .....	1
8	01-206772	Switch – Push Button (Start) .....	1
9	01-206771	Switch – Push Button (Power/Light) .....	2
10	01-205441	Screw 1/4-20 x 1 1/4 .....	2
11	01-205516	Lockwasher 1/4 (Zinc) .....	2
12	01-630204	Mount – Control Panel Retainer .....	1
13	01-110502	Latch – Door Non-Keyed .....	1
14	01-207835	Handle – Kason .....	1
15	01-207221	Overlay – Control Panel .....	1
16	01-361122	Label – Lucks Logo .....	1
17	01-207448	Gasket – Control Panel (EDPM) .....	6 Ft.
18	01-207448	Gasket – Control Panel (LEOM) .....	2 Ft.
19	01-630097	Sub-Panel – Control .....	1
	01-630524	Control Panel Assy. (Safeway) (Incls. Items 1 thru 9 & 15 thru 19) .....	1
	01-630523	Control Panel Assy. (Standard) (Incls. Items 1 thru 9 & 15 thru 19) .....	1

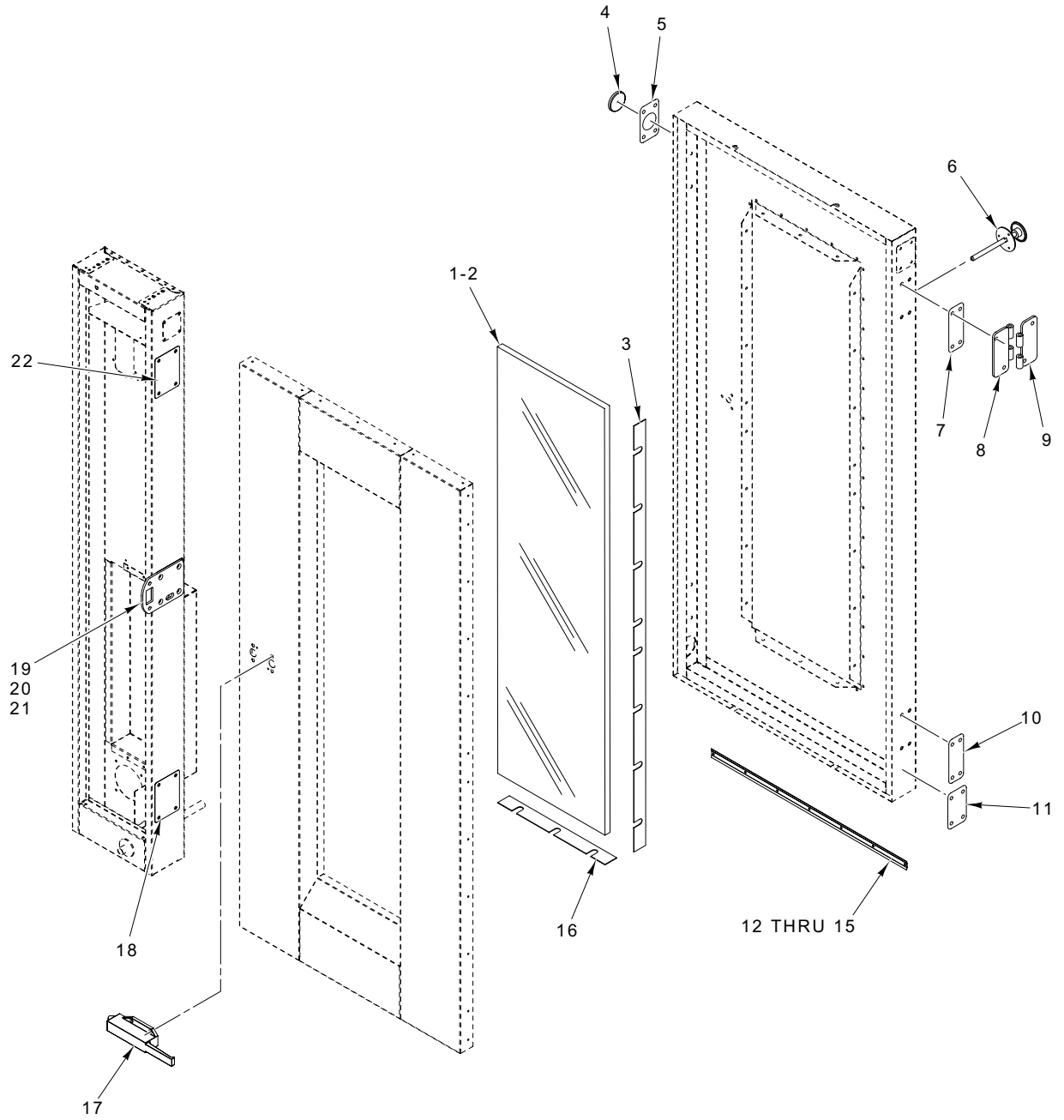


PL-57318

COMPONENTS

**COMPONENTS**

ILLUS.	PART NO.	NAME OF PART	AMT.
PL-57318			
1	01-206914	Circuit Breaker (220-480 V., 20 Amp., 3 Pole) .....	1
2	01-207799	Relay (120 VAC, 30 Amp.) (Exhaust Fan) .....	1
3	01-207791	Switch – Magnetic (Door Switch) .....	1
4	01-630298	Mount – Electrical Components .....	1
5	01-206615	Kit – Hi-Limit Retro .....	1
6	01-630946	Kit – Thermocouple .....	1
7	01-207231	Ballast (120 V., 2 Lamp) .....	1
8	01-207803	Buzzer .....	1
9	01-207296	Relay – Overload (6.0-9.6 Amp., 1 Ph.) (Circulation Fan) .....	1
10	01-207411	Relay – Overload (1.6-2.4 Amp., 3 Ph.) (Rack Turn) .....	1
11	01-207294	Contactactor – Mini (120 V., 12 Amp.) .....	1
12	01-206577	Circuit Breaker (220-480 V., 1 Pole) .....	1
13	01-207355	Relay (12 VDC, 15 Amp.) (Rack Up) .....	1
14	01-207355	Relay (12 VDC, 15 Amp.) (Roof Fan) .....	1
15	01-630449	Component Mount Cover – Front .....	1
16	01-630904	Kit – Back-Up Controls .....	1
17	01-207345	Fuse – ABC (15 Amp.) (I/O Board) .....	3
18	01-207346	Fuse – ABC (3 Amp.) (I/O Board) .....	3
19	01-630534	I/O Board Assy. (Incls. Items 13 thru 18, 20, 21, & 22) .....	1
20	01-207355	Relay (12 VDC, 15 Amp.) (Lights) .....	1
21	01-207355	Relay (12 VDC, 15 Amp.) (Rack Down) .....	1
22	01-630448	Component Mount Cover – Back .....	1
23	01-207288	Fan – Axial (3 In.) .....	1
24	01-206810	Fan – Axial (4 In.) .....	1

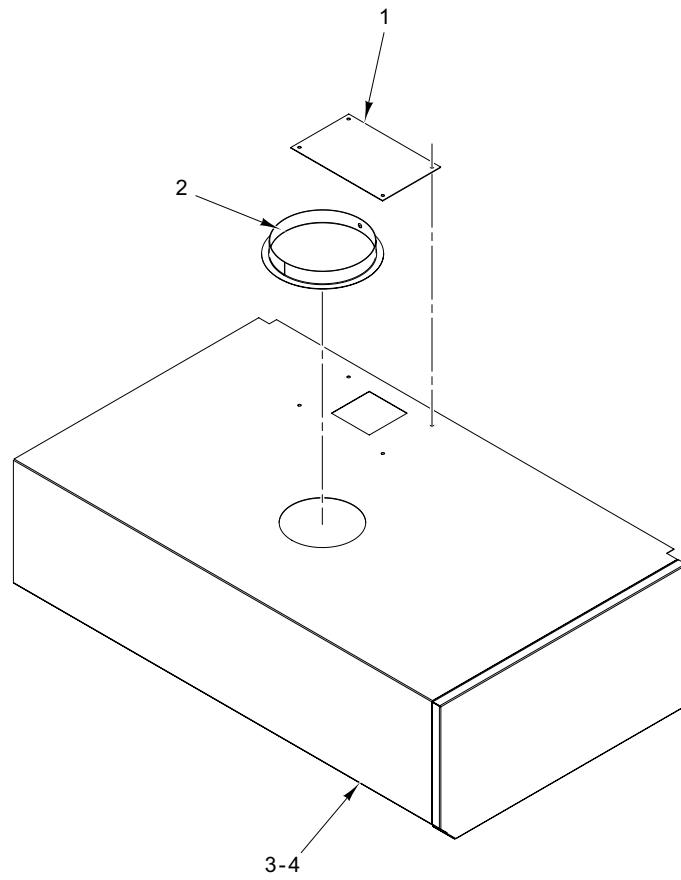


PL-57323

**DOOR UNIT**

**DOOR UNIT**

ILLUS. PL-57323	PART NO.	NAME OF PART	AMT.
1	01-115007	Window – Tempered (3-Pane) .....	1
2	01-115009	Channel – Silicone Gasket (Window) .....	13 Ft.
3	01-630151	Strip – Window Retainer (Vertical) .....	2
4	01-207814	Magnet – Shallow Pot .....	1
5	01-630430	Cover Plate (With Hole) (Use With Item 4) .....	1
6	01-630717	Release – Door Inside .....	1
7	01-630166	Plate – Door Hinge Spacer .....	1
8	01-630554	Hinge – Door Half .....	2
9	01-630551	Hinge – Mullion Half .....	2
10	01-630166	Plate – Door Hinge Spacer .....	1
11	01-630431	Cover Plate (Without Hole) .....	1
12	01-630848	Retainer – Door Sweep (M15 Series) .....	1
13	01-630754	Retainer – Door Sweep (M20 Series) .....	1
14	01-207649	Gasket – Fiberglass (Sweep) (M15 Series) .....	3 Ft.
15	01-207649	Gasket – Fiberglass (Sweep) (M20 Series) .....	4 Ft.
16	01-630105	Strip – Window Retainer (Horizontal) .....	2
17	01-207785	Door Handle Outer Assy. ....	1
18	01-630288	Cover – Hinge Hole Vanity .....	2
19	01-630660	Shim (12 GA) Door Latch Plate .....	1
20	01-630659	Shim (0.250) Door Latch Plate .....	1
21	01-630300	Plate – Strike .....	1
22	01-630288	Cover – Hinge Hole Vanity .....	1

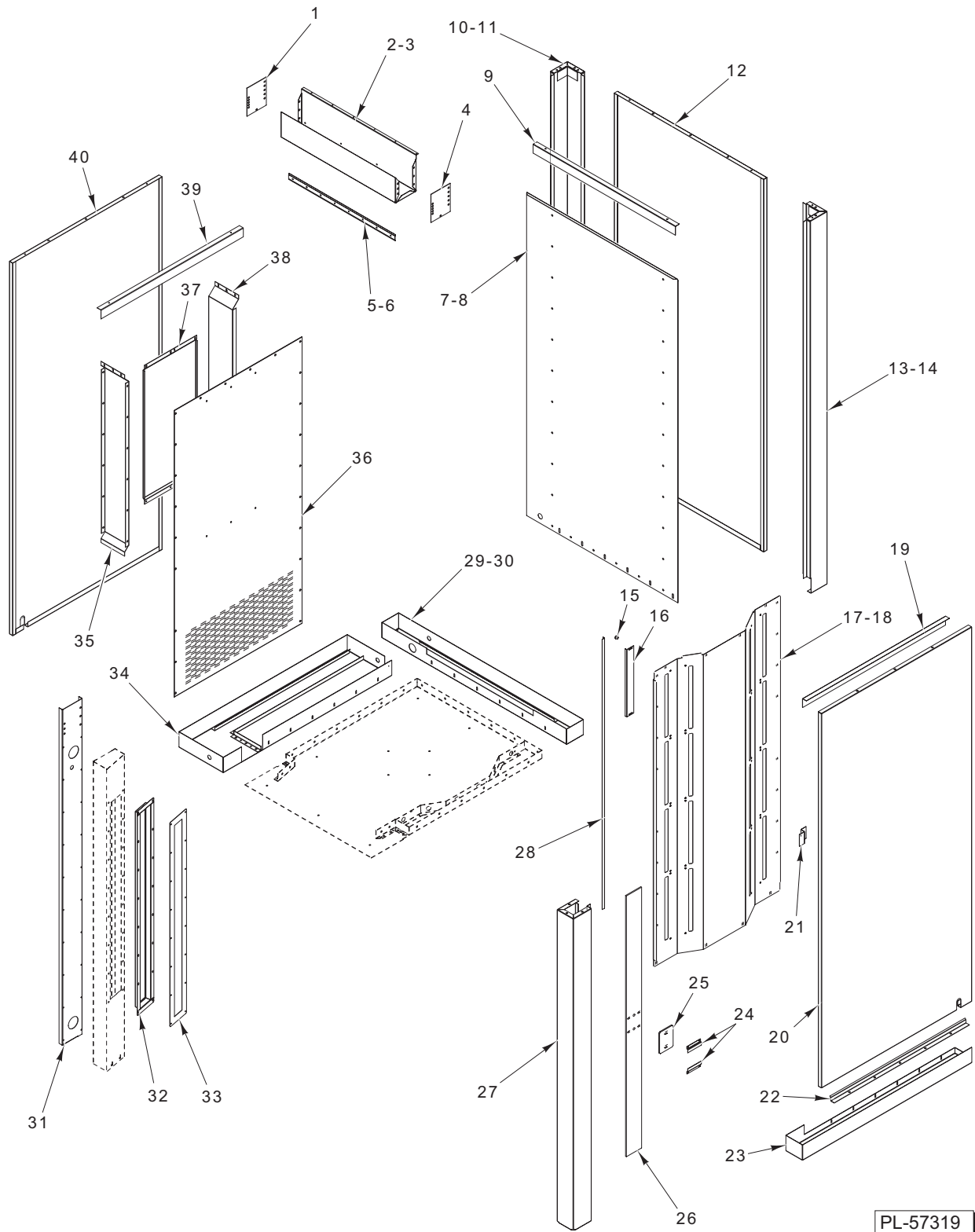


PL-57316

**HOOD UNIT**

**HOOD UNIT**

ILLUS. PL-57316	PART NO.	NAME OF PART	AMT.
1	01-630143	Cover – Hood .....	1
2	01-631005	Stack Adapter (W/Fitting Hole) .....	1
3	01-631022	Hood Assy. – Type I (M15 Series) .....	1
4	01-631023	Hood Assy. – Type I (M20 Series) .....	1



PL-57319

**CABINET, PANELS, AND LIGHT UNIT**

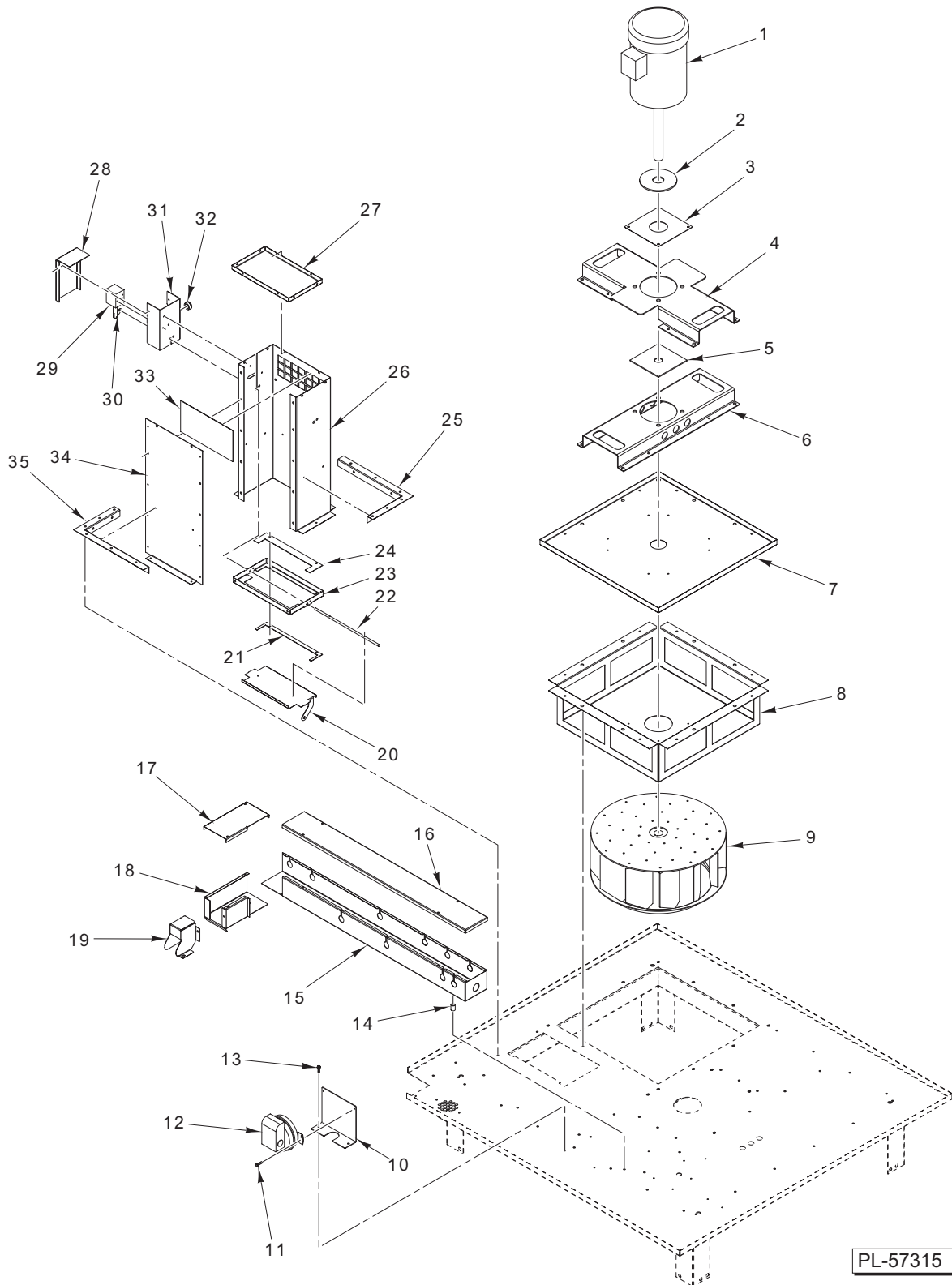
**CABINET, PANELS, AND LIGHT UNIT**

ILLUS. PL-57319	PART NO.	NAME OF PART	AMT.
1	01-630467	Plate – Header Stiffner .....	1
2	01-630191	Header (M15 Series) .....	1
3	01-630375	Header (M20 Series) .....	1
4	01-630467	Plate – Header Stiffner .....	1
5	01-630469	Retainer – Top Door Seal (M15 Series) .....	1
6	01-630497	Retainer – Top Door Seal (M20 Series) .....	1
7	01-630114	Panel – Back Wall (M15 Series) .....	1
8	01-630372	Panel – Back Wall (M20 Series) .....	1
9	01-630168	Hanger – Outer Wall .....	1
10	01-630286	Panel – Left Corner Back Wall (M15 Series) .....	1
11	01-630378	Panel – Left Corner Back Wall (M20 Series) .....	1
12	01-630167	Panel – Outer Wall .....	1
13	01-630169	Panel – Right Corner Back Wall (M15 Series) .....	1
14	01-630377	Panel – Right Corner Back Wall (M20 Series) .....	1
15	01-207830	Rivnut 10-32 .....	8
16	01-631153	Angle – Short Air Wall Vane .....	16
17	01-630012	Airwall (M15 Series) .....	1
18	01-630193	Airwall (M20 Series) .....	1
19	01-630168	Hanger – Outer Wall .....	1
20	01-630167	Panel – Outer Wall .....	1
21	01-631154	Support – Bracket (M15 Series) .....	1
22	01-630045	Angle – Base Wall Support .....	3
23	01-630109	Base – Right Wall .....	1
24	01-630460	Plate – Striker Adjustment Guide .....	4
25	01-630459	Plate – Striker Adjustment .....	2
26	01-630026	Plate – Door Hinge Backing .....	2
27	01-630105	Frame – Right Wall Door Support .....	1
28	01-630194	Vane – Long Air Wall .....	4
29	01-630112	Base – Back (M15 Series) .....	1
30	01-630371	Base – Back (M20 Series) .....	1
31	01-630019	Channel – Left Wall Insulation Break .....	1
32	01-630038	Holder – Light Box Glass .....	1
33	01-630037	Overlay – Light Box .....	1
34	01-630042	Base (Left) .....	1
35	01-631071	Baffle – Heat Exchanger (Front Wall) .....	1
36	01-630192	Perf Sheet .....	1
37	01-631072	Baffle – Perforated Sheet .....	1
38	01-631073	Baffle – Rear Wall .....	1
39	01-630168	Hanger – Outer Wall .....	1
40	01-630167	Panel – Outer Wall .....	1



## LIFTER AND ROTATOR

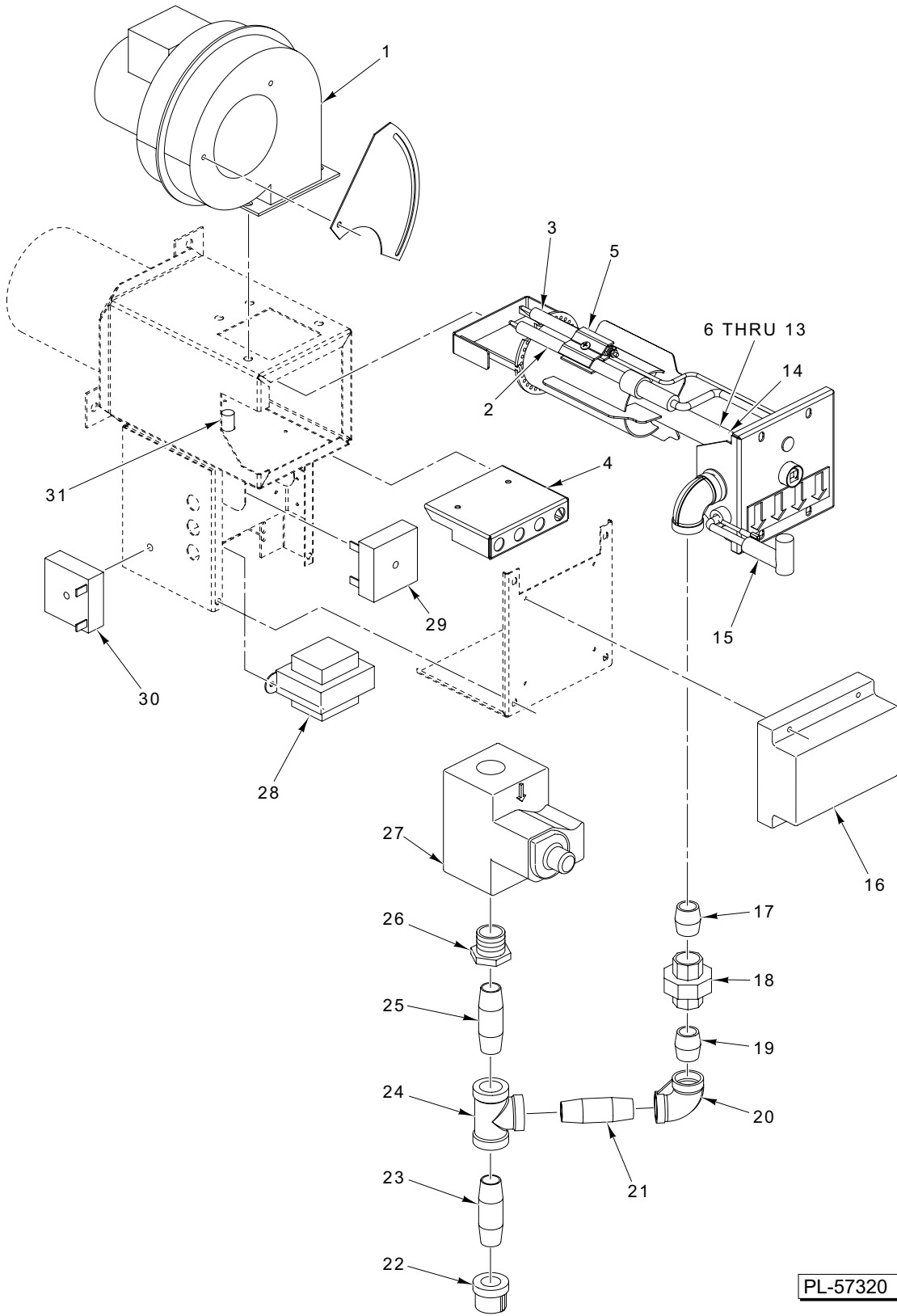
ILLUS. PL-57322	PART NO.	NAME OF PART	AMT.
14	01-205511	Lockwasher $\frac{7}{16}$ (Zinc)	4
15	01-631144	Cam – Follower (1 In. Greased)	2
16	01-631144	Cam – Follower (Zerc Assy.)	1
17	01-630188	Arm – Left Rack Lift Lever	1
18	01-206403	Lock Nut $\frac{3}{8}$ Hex	1
19	01-206519	Washer	1
20	01-207272	Bushing – Bronze Flange ( $\frac{1}{2} \times \frac{5}{8} \times \frac{1}{4}$ )	1
21	01-630601	Bushing – Rack Lift Long Sleeve	1
22	01-630182	Side – Rack Lift	2
23	01-630491	Spacer – Rack Lift	1
24	01-630601	Bushing – Rack Lift Long Sleeve	1
25	01-207272	Bushing – Bronze Flange ( $\frac{1}{2} \times \frac{5}{8} \times \frac{1}{4}$ )	1
26	01-206519	Washer	1
27	01-205930	Bolt $\frac{3}{8}$ -16 x 3	1
28	01-205930	Bolt $\frac{3}{8}$ -16 x 3	1
29	01-206519	Washer	1
30	01-207272	Bushing – Bronze Flange ( $\frac{1}{2} \times \frac{5}{8} \times \frac{1}{4}$ )	1
31	01-205530	Washer	1
32	01-630176	Insert – Rack Lift Bushing Short	1
33	01-630420	Bushing – Graphite (2 x $2\frac{5}{8}$ x 1)	1
34	01-630280	Shaft – Rack Lift Assy.	1
35	01-630791	Shaft Assy. – Rack Lift	1
36	01-630796	Rack Lift Carriage Assy. (M15 Series)	1
37	01-630987	Rack Lift Carriage Assy. (M20 Series)	1
38	01-630732	Bracket – Rack Lift Position Sensor	1
39	01-207245	Sensor – Prox (12 VDC)	1
40	01-071632	Gearbox	1
41	01-205516	Lockwasher $\frac{1}{4}$ (Zinc)	2
42	01-205453	Nut $\frac{1}{4}$ -20 Hex (Zinc)	2
43	01-205340	Connector ( $\frac{3}{8}$ In. STL Flex 90 Deg)	1
44	01-205606	Conduit ( $\frac{3}{8}$ In. STL Flex)	1
45	01-205340	Connector ( $\frac{3}{8}$ In. STL Flex 90 Deg)	1
46	01-207600	Rack Turn Motor (1 Ph., 1140 RPM, $\frac{1}{8}$ Hp.)	1
47	01-631163	Kit – Rack Turn Motor (1 Ph.)	1
48	01-071633	Rack Turn Motor (3 Ph., 1140 RPM, $\frac{1}{8}$ Hp.)	1
49	01-207243	Gearbox/Motor Assy. (1 Ph.)	1
50	01-207631	Gearbox/Motor Assy. (3 Ph.)	1
51	01-207265	Gear – 15 Tooth Rack Turn	1
52	01-630307	Mount – Rack Turn Motor	1
53	01-205518	Washer	4
54	01-206002	Screw $\frac{1}{4}$ -20 x $1\frac{1}{2}$	4
55	01-630011	Rack Lift & Turn Assy.	1
56	01-630176	Insert – Rack Lift Bushing Short	1
57	01-205530	Lockwasher $\frac{3}{8}$ (Zinc)	1
58	01-207272	Bushing – Bronze Flange ( $\frac{1}{2} \times \frac{5}{8} \times \frac{1}{4}$ )	1
59	01-206519	Washer	1
60	01-206403	Lock Nut $\frac{3}{8}$ Hex	1
61	01-630420	Bushing – Graphite (2 x $2\frac{5}{8}$ x 1)	1
62	01-205187	Screw $\frac{5}{16}$ -18 x $\frac{1}{2}$	2
63	01-205529	Lockwasher $\frac{5}{16}$ (Zinc)	2
64	01-205089	Washer	2
65	01-630353	Sleeve – Rack Turn Stop	1
66	01-630237	Stop – Rack Turn Gear	1
67	01-206199	Bearing – Thrust	1
68	01-630769	Gear – 60 Tooth Rack Turn	1
69	01-630736	Pad – Clutch-Rack Turn	1
70	01-630238	Washer – Rack Lift Shaft	1
71	01-630768	Nut – Machined Rack Shaft	1
72	01-630752	Retainer – Rack Shaft Nut	1
73	01-630354	Angle – Rack Position Indicator Arm (M15 Series)	1
74	01-630354	Angle – Rack Position Indicator Arm (M20 Series)	2
75	01-113071	Latch Assy. – Rack Carriage (M20 Series)	2
76	01-207007	Shoulder Bolt $\frac{5}{16}$ -18 x $\frac{3}{8}$ x $1\frac{1}{4}$	2
	01-630901	Rack Lift Lever Arm Assy. (Incls. Items 11 & 17)	1



**BLOWER AND VENT**

## BLOWER AND VENT

ILLUS.	PART NO.	NAME OF PART	AMT.
PL-57315			
1	01-207284	Motor – Circulation Fan .....	1
2	01-111667	Slinger – Heat .....	1
3	01-630175	Plate – Circulation Fan Gasket Retainer .....	1
4	01-630174	Frame – Circulation Fan Motor Mount .....	1
5	01-630433	Gasket – Circulation Fan .....	1
6	01-630173	Frame – Circulation Fan Motor Mount .....	1
7	01-630172	Pan – Circulation Fan Frame .....	1
8	01-630171	Frame – Circulation Fan Outer .....	1
9	01-630408	Fan – Circulation (16 In.) .....	1
10	01-631109	Bracket – DP Switch .....	1
11	01-205438	Screw 12-14 x 3/4 .....	2
12	01-631110	Kit – DP Switch .....	1
13	01-205438	Screw 12-14 x 3/4 .....	3
14	01-630846	Tube – J-Box Stand Off .....	6
15	01-630923	Channel – J-Box .....	1
16	01-630924	Cover – Wire Raceway .....	1
17	01-630922	Cover – Wire Raceway .....	1
18	01-630921	Channel – Wire Raceway .....	1
19	01-630708	Cover – Wireway .....	1
20	01-630880	Flapper – Powervent .....	1
21	01-630886	Plate – Powervent Flapper Spacer .....	1
22	01-630879	Rod – Powervent .....	1
23	01-630883	Bracket – Powervent Flapper .....	1
24	01-630885	Plate – Powervent Flapper Cover .....	1
25	01-630473	Bracket – Power Vent Gasket Retainer .....	1
26	01-630877	Frame – Powervent Wrapper .....	1
27	01-630881	Cover – Powervent Lid .....	1
28	01-630884	Cover – Powervent Solenoid .....	1
29	01-630560	Solenoid (120 VAC) .....	1
30	01-630818	Link – Powervent .....	1
31	01-630882	Bracket – Powervent Solenoid .....	1
32	01-065007	Bushing – Rondale .....	1
33	01-207447	Gasket 1/16 x 9 x 4 7/8 (Red Silicone) .....	1
34	01-630878	Frame – Powervent Side .....	1
35	01-630473	Bracket – Power Vent Gasket Retainer .....	1
	01-630890	Power Vent Assy. (Incls. Items 20 thru 35) .....	1

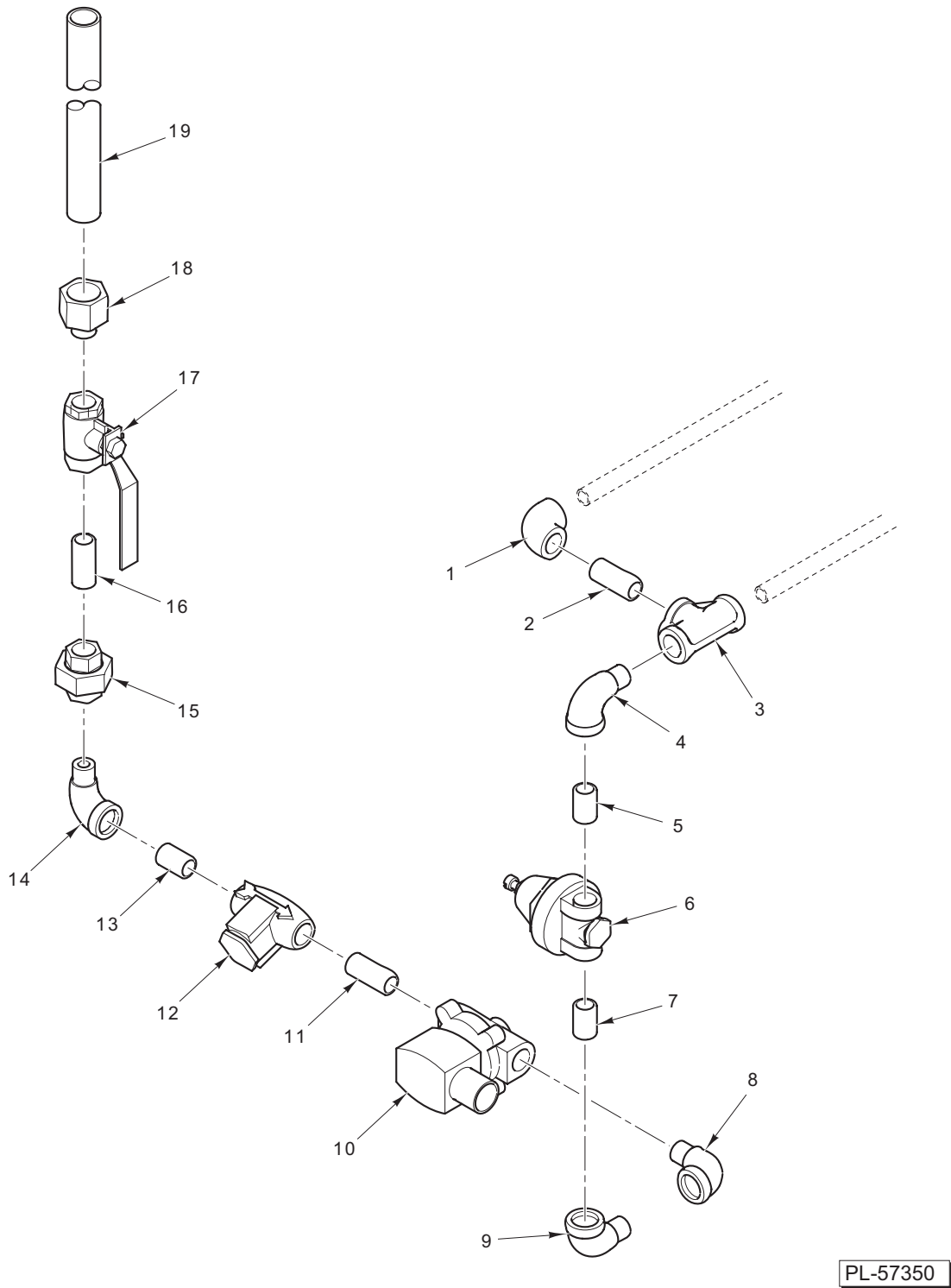


PL-57320

**GAS BURNER AND BLOWER UNIT**

## GAS BURNER AND BLOWER UNIT

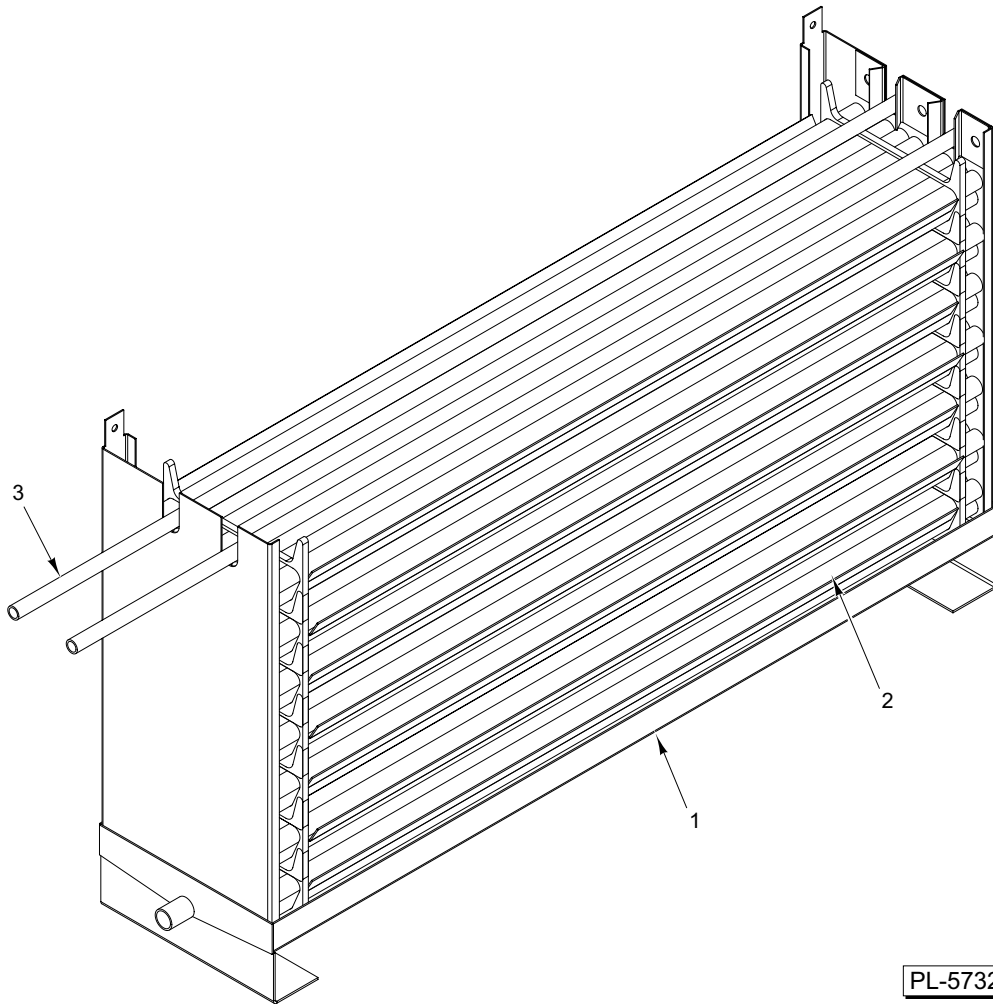
ILLUS.	PART NO.	NAME OF PART	AMT.
PL-57320			
1	01-071542	Motor – Blower Burner .....	1
2	01-071769	Ignitor Assy. ....	1
3	01-071615	Sensor Assy. ....	1
4	01-071543	Light Holder Assy. ....	1
5	01-071557	Bracket – Flame Rod .....	2
6	01-631125	Orifice (0.193 Drill) (LP, 175k BTU) .....	AR
7	01-631034	Orifice (0.234 Drill) (NAT, 175k BTU) .....	AR
8	01-631126	Orifice (0.217 Drill) (LP/HP, 225k BTU) .....	AR
9	01-631030	Orifice (0.281 Drill) (NAT/HP, 225k BTU) .....	AR
10	01-631128	Orifice (0.261 Drill) (LP, 275k BTU) .....	AR
11	01-631127	Orifice (0.390 Drill) (NAT, 275k BTU) .....	AR
12	01-631129	Orifice (0.277 Drill) (LP/HP, 290k BTU) .....	AR
13	01-631031	Orifice (0.406 Drill) (NAT/HP, 290k BTU) .....	AR
14	01-207260	Spring – Orifice .....	1
15	01-071688	Wire Assy. ....	1
16	01-071547	Controller .....	1
17	01-205946	Pipe 1/2 .....	1
18	01-205952	Union – Pipe (1/2 In.) .....	1
19	01-205946	Pipe 1/2 .....	1
20	01-205038	Elbow – Pipe 1/2 x 90 Deg. ....	1
21	01-207537	Pipe 1/2 x 2 1/2 .....	1
22	01-207538	Cap – Pipe 1/2 .....	2
23	01-207537	Pipe 1/2 x 2 1/2 .....	1
24	01-205810	Tee – Pipe 1/2 .....	2
25	01-207537	Pipe 1/2 x 2 1/2 .....	1
26	01-205953	Reducer – Bell Pipe 3/4 x 1/2 .....	1
27	01-071556	Valve – Gas 3/4 x 3 .....	1
28	01-071546	Transformer Assy. ....	1
29	01-071545	Timer-On Delay (20 Second) .....	1
30	01-071779	Timer (3 Second) .....	1
31	01-071544	Switch – Air Blower .....	1
	01-631130-00005	Cartridge Assy. (LP) (Incls. Items 2, 3, 5, 10, 14, & 15) (M20 Series) .....	1
	01-631130-00006	Cartridge Assy. (NAT) (Incls. Items 2, 3, 5, 11, 14, & 15) (M20 Series) .....	1



**WATER SUPPLY**

**WATER SUPPLY**

ILLUS. PL-57350	PART NO.	NAME OF PART	AMT.
1	01-207466	Elbow – Pipe $\frac{3}{8}$ x 90 Deg. ....	1
2	01-207468	Pipe $\frac{3}{8}$ x $1\frac{1}{2}$ .....	1
3	01-207469	Tee – Pipe $\frac{3}{8}$ x $\frac{3}{8}$ x $\frac{3}{8}$ .....	1
4	01-205081	Elbow – Street $\frac{3}{8}$ x 90 Deg. ....	1
5	01-207470	Pipe $\frac{3}{8}$ x CL .....	1
6	01-205683	Regulator – Water Pressure .....	1
7	01-207470	Pipe $\frac{3}{8}$ x CL .....	1
8	01-205081	Elbow – Street $\frac{3}{8}$ x 90 Deg. ....	1
9	01-205081	Elbow – Street $\frac{3}{8}$ x 90 Deg. ....	1
10	01-206416	Solenoid Valve ( $\frac{3}{8}$ In.) (120 V.) .....	1
11	01-207468	Pipe $\frac{3}{8}$ x $1\frac{1}{2}$ .....	1
12	01-207560	Strainer ( $\frac{3}{8}$ In.) (Bronze) .....	1
13	01-207470	Pipe $\frac{3}{8}$ x CL .....	1
14	01-205081	Elbow – Street $\frac{3}{8}$ x 90 Deg. ....	1
15	01-207302	Pipe – Union $\frac{3}{8}$ (Brass) .....	1
16	01-207468	Pipe $\frac{3}{8}$ x $1\frac{1}{2}$ .....	1
17	01-207567	Valve – Ball ( $\frac{3}{8}$ In.) (Brass) .....	1
18	01-206931	Reducer – Pipe $\frac{3}{8}$ to $\frac{1}{2}$ (Brass) .....	1
19	01-630706	Pipe $\frac{1}{2}$ x $75\frac{1}{2}$ .....	1



**STEAM GENERATOR**

**STEAM GENERATOR**

ILLUS.	PART NO.	NAME OF PART	AMT.
PL-57321			
1	01-630079	Steam Generator Assy. ....	1
2	01-630082	Rebar <sup>5</sup> / <sub>8</sub> x 32 In. Lg. ....	119
3	01-630085	Pipe – Steam Drip ....	2

