



**CATALOG OF  
REPLACEMENT  
PARTS**

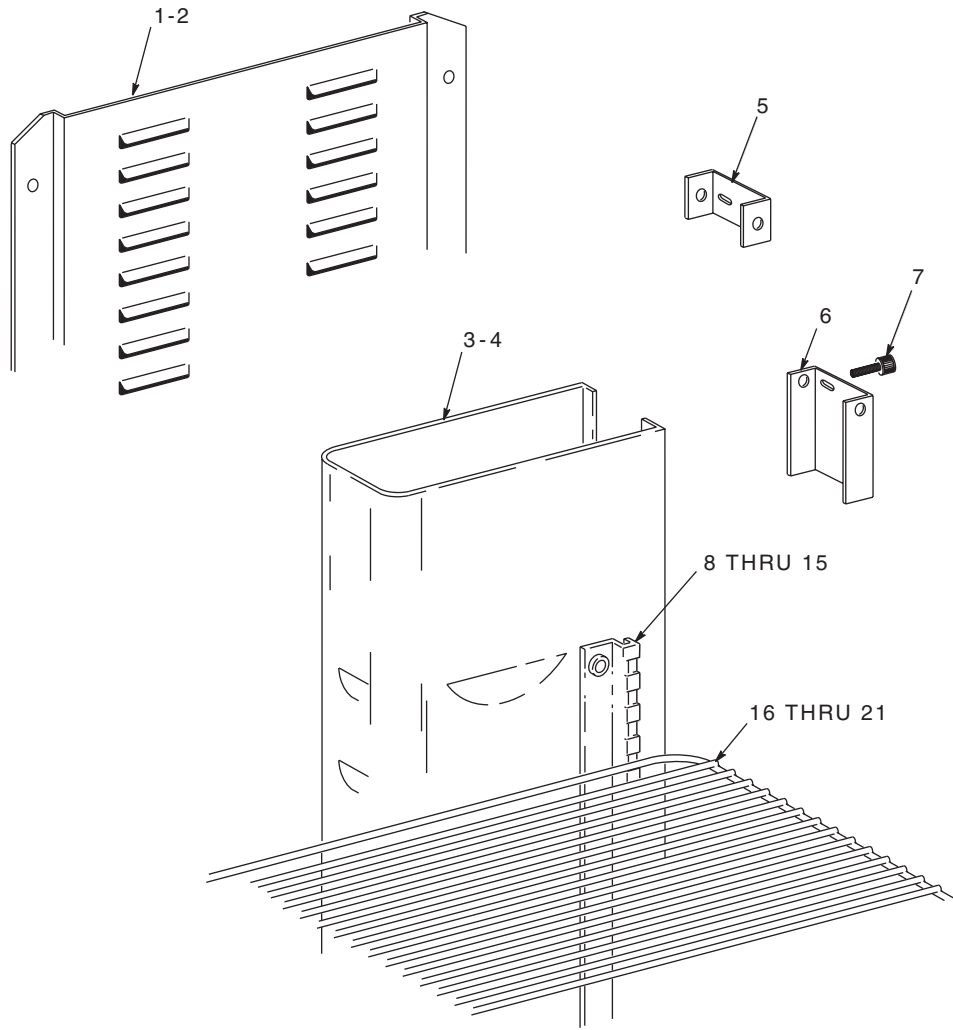
**REFRIGERATORS  
MODELS QE, DE, EQE**

**FREEZERS  
MODELS QEF, DEF, EQEF**



**Table of Contents**

<b>Page</b>	<b>Description</b>
5	Interior Cabinet
6	Exterior Cabinet
8	Half Height Door Solid and Glass
10	Full Height Door Solid and Glass
13	Condensing Unit
14	Evaporator Assembly
17	Interior Lights Thermometer and Alarm
18	Compressor/Condensing Unit
20	ML's Used To Make This Catalog



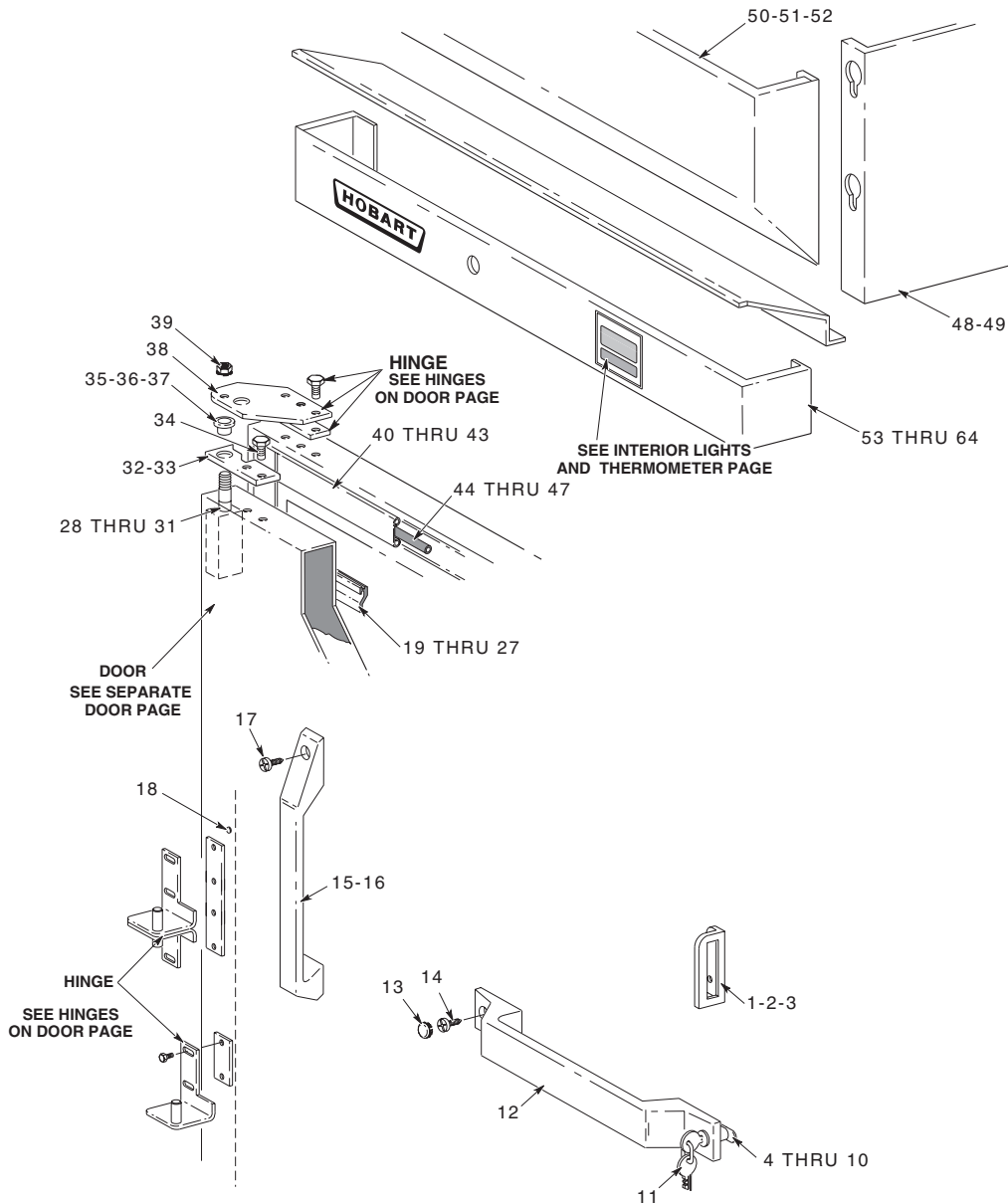
PL-55752

### INTERIOR CABINET

**INTERIOR CABINET**

ILLUS. PL-55752	PART NO.	NAME OF PART	AMT.
1	00-239750	Duct – Air (1 Section) (EQE, QE) .....	AR
*2	00-434116	Duct – Air (1 Section) (DE) .....	AR
3	00-267051	Duct – Air (2 & 3 Section) (EQE, QE) .....	AR
*4	00-434117	Duct – Air (2 & 3 Section) (DE) .....	AR
5	00-268239	Support – Duct Assy. (2 & 3 Section) (Upper) .....	AR
6	00-267126	Support – Duct Assy. (2 & 3 Section) (Lower) .....	AR
7	00-266357-00003	Screw – Knurled Thumb (SST) .....	AR
8	00-280060-00001	Pilaster – Mullion (Double Row Adjustable) (Alum.) .....	AR
9	00-280060-00002	Pilaster – Mullion (Double Row) (SST) .....	AR
10	00-280061-00001	Pilaster – Mullion (Double Row Adjustable) (Alum.) .....	AR
11	00-280061-00002	Pilaster – (Adjustable) (Double Row) (SST) .....	AR
*12	00-432528-00001	Pilaster – Adjustable (Double Row) (Alum.) (Half Height) .....	AR
*13	00-432528-00002	Pilaster – Adjustable (Double Row) (SST) (Half Height) .....	AR
*14	00-432527-00001	Pilaster – Mullion (Double Row) (Alum.) (Half Height) .....	AR
*15	00-432527-00002	Pilaster – Mullion (Double Row) (SST) (Half Height) .....	AR
16	00-432522	Shelf (Std.) .....	AR
17	00-432523	Shelf (SST) .....	AR
18	00-432524	Shelf (Heavy Duty) .....	AR
19	00-432506	Shelf Set (1) (W/Double Row Clips) (SST) (Incls. Items 17 & 20) .....	AR
20	00-279686	Clip – Shelf (SST) (Double Row) .....	AR
21	00-239470	Clip – Shelf (SST) (Single Row) .....	AR
	00-432416	Partition (QE2/QE3) .....	AR

\*Parts Are No Longer Manufactured. Some Parts May Still Be Available.



PL-55749

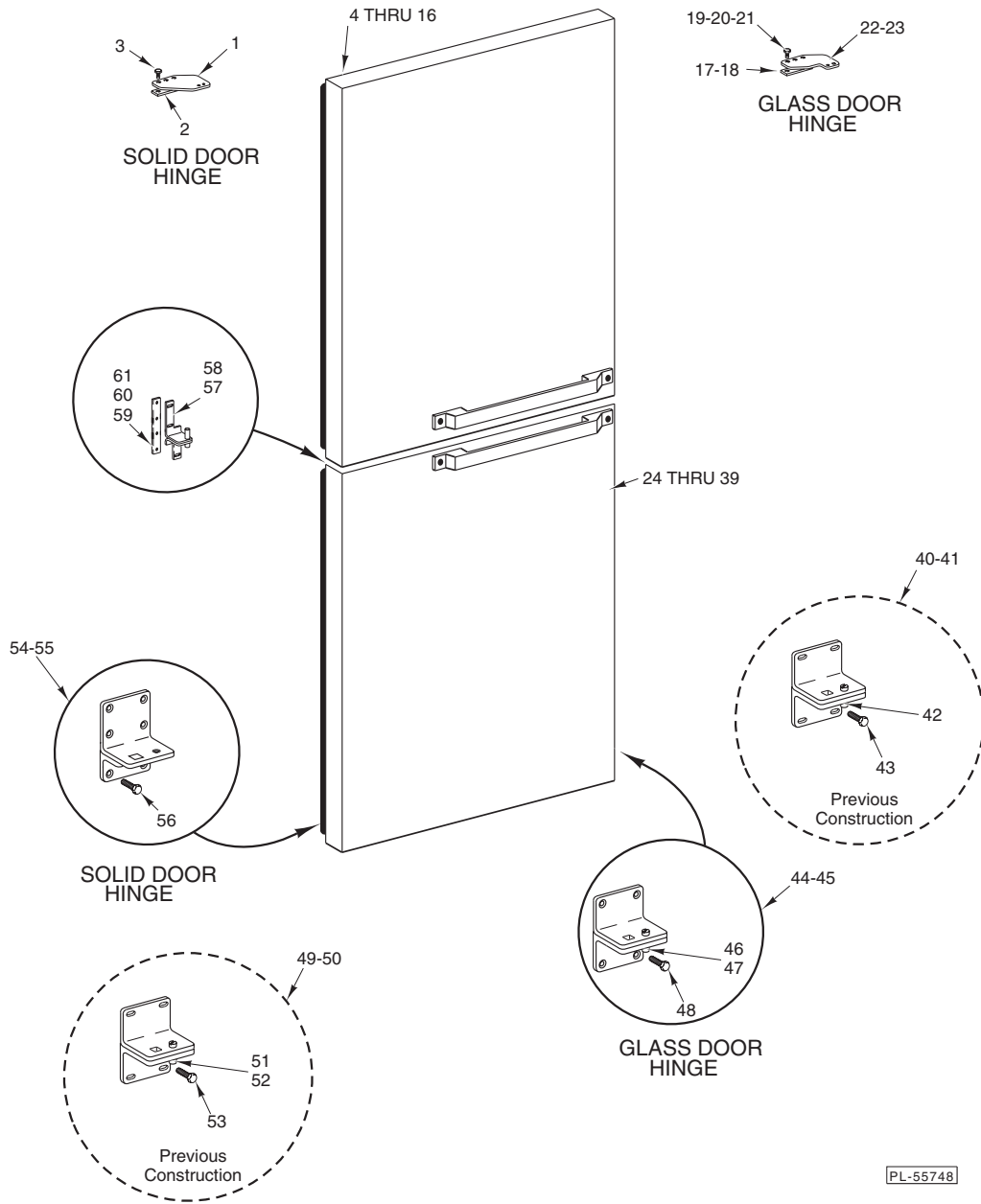
**EXTERIOR CABINET**

ILLUS.	PART NO.	NAME OF PART	AMT.
PL-55749			
1	00-280049	Strike – Door (Solid Doors)	AR
2	SD-036-20	Self-Tapping Screw 10-24 x 1 Hex Washer Hd., Type T (SST)	AR
3	SC-014-61	Mach. Screw 1/4-20 x 1/2 Slotted Flat Hd.	AR
4	00-269315	Plug Lock Assy.	AR
5	00-295106	Padlock – Post (Single) (Not Shown)	AR
6	00-295107	Padlock – Post (Double) (Not Shown)	AR
7	SD-036-19	Self-Tapping Screw 10-32 x 1 1/4 Phil. Pan Hd., Type TT	AR
8	00-261692	O-Ring	AR
9	00-261688	Bolt – Handle	AR
10	SA-021-36	Mach. Screw Assy. 10-24 x 3/8 Phil. Pan Hd., External Lockwasher	AR
11	00-206068	Key (XC3)	AR
12	00-281548	Handle – Door (Horizontal) (QE Series)	AR
13	PB-004-26	Plug Button	AR
14	SD-036-27	Self-Tapping Screw 12-24 x 3/4 Phil. Flat Countersunk Hd., Type T	AR
15	00-431868	Handle – Door (DE Series)	AR

## EXTERIOR CABINET (Cont.)

ILLUS.	PART NO.	NAME OF PART	AMT.
	PL-55749		
16	00-432572	Plate – Handle Cover .....	AR
17	SD-036-19	Self-Tapping Screw 10-32 x 1 1/4 Phil. Pan Hd., Type TT .....	AR
18	00-239309-00004	Plug – Hole .....	AR
19	00-283091-00001	Gasket – Door (Full Height) (QE/DE) .....	AR
20	00-283091-00002	Gasket – Door (Full Height) (EQE) .....	AR
*21	00-280984-00015	Gasket – Door (Half Height) (Upper) (QE/DE) .....	AR
*22	00-283091-00003	Gasket – Door (Half Height) (Lower) (QE/DE) .....	AR
*23	00-280984-00016	Gasket – Door (Half Height) (Upper) (EQE) .....	AR
*24	00-283091-00004	Gasket – Door (Half Height) (Lower) (EQE) .....	AR
25	00-268420-00058	Gasket – Door Glass (Full Height) (QE/DE) .....	AR
26	00-268420-00059	Gasket – Door Glass (Full Height) (EQE/EDE) .....	AR
27	SD-033-33	Self-Tapping Screw 8-18 x 5/8 Phil. Truss Hd., Type A .....	AR
28	00-239157	Hinge Mechanism Assy. ....	AR
29	SC-068-12	Mach. Screw 10-32 x 5/16 Hex Hd. ....	AR
30	WS-019-20	Washer (SST) .....	AR
31	WL-008-13	Lockwasher #10 Internal Shakeproof .....	AR
32	00-239665	Stop – Door (LH) .....	AR
33	00-239666	Stop – Door (RH) .....	AR
34	SA-021-37	Mach. Screw Assy. 10-32 x 5/16 Phil. Rd. Hd. ....	AR
35	00-239558	Bushing – Door Stop (Std.) .....	AR
36	00-267174	Bushing – Door Stop (Short) .....	AR
37	00-278772	Bushing – Nylon .....	AR
38	00-267387	Plate – Door Stop Reinforcement .....	AR
39	NS-031-22	Nut – Stop 1/4-28 .....	AR
40	00-280368-00019	Plate – Gasket Seal (SST) (Horizontal) (2.755 In. x 28.195 In.) .....	AR
41	00-280368-00016	Plate – Gasket Seal (SST) (Vertical) (1 In. x 29 1/2 In.) .....	AR
42	00-280368-00017	Plate – Gasket Seal (SST) (Vertical) (1 In. x 70 In.) .....	AR
43	00-280368-00018	Plate – Gasket Seal (SST) (Vertical) (1 In. x 77 In.) .....	AR
44	00-432540-00001	Wire Heater Assy. (Full Height Door) (QE) .....	AR
45	00-432540-00002	Wire Heater Assy. (Full Height Door) (EQE) .....	AR
46	00-432540-00003	Wire Heater Assy. (Half Height Door) (QE) .....	AR
47	00-432540-00004	Wire Heater Assy. (Half Height Door) (EQE) .....	AR
48	00-432329-00001	Trim – Housing End (Roll-In) .....	AR
49	00-432376-00001	Trim – Housing End (Pass-Thru) .....	AR
50	00-432330-00001	Front Trim – Refrigerator (1 Section) .....	AR
51	00-432330-00005	Front Trim – Refrigerator (2 Section) .....	AR
52	00-432330-00009	Front Trim – Refrigerator (3 Section) .....	AR
53	00-282282	Rail-Trim Without Thermometer – Refrigerator (1-Section) .....	AR
54	00-282284	Rail-Trim Without Thermometer – Refrigerator (2-Section) .....	AR
55	00-282286	Rail-Trim Without Thermometer – Refrigerator (3-Section) .....	AR
56	00-282282	Rail-Trim Without Thermometer – Freezer (1-Section) .....	AR
57	00-282284	Rail-Trim Without Thermometer – Freezer (2-Section) .....	AR
58	00-282286	Rail-Trim Without Thermometer – Freezer (3-Section) .....	AR
59	00-282281	Rail-Trim With Thermometer – Refrigerator (1-Section) .....	AR
60	00-282283	Rail-Trim With Thermometer – Refrigerator (2-Section) .....	AR
61	00-282285	Rail-Trim With Thermometer – Refrigerator (3-Section) .....	AR
62	00-282281	Rail-Trim With Thermometer – Freezer (1-Section) .....	AR
63	00-282283	Rail-Trim With Thermometer – Freezer (2-Section) .....	AR
64	00-282285	Rail-Trim With Thermometer – Freezer (3-Section) .....	AR
	00-263164	Harness – Switch (2 Section) (Pass Thru) .....	AR
	00-432541	Harness – Heater Ramp .....	AR
	00-432340-00001	Ramp – Door With Heater Assy. (LH) (Inclined Ramp) (Refrigerators & Freezers) .....	AR
	00-432340-00002	Ramp – Door With Heater Assy. (RH) (Inclined Ramp) (Refrigerators & Freezers) .....	AR
	00-432645-00001	Ramp – Door With Heater Assy. (Flat) (LH) (Refrigerators & Freezers) .....	AR
	00-432645-00002	Ramp – Door With Heater Assy. (Flat) (RH) (Refrigerators & Freezers) .....	AR
	00-263170	Heater – Ramp (25 W.) .....	AR
	00-432436	Retainer – Ramp (Use with Door Ramps) .....	AR
	00-432507	Bracket – Ramp (Roll-In) .....	AR
	00-432342	Gasket – Sweep (Solid Door) .....	AR
	00-432344	Kit – Sweep (Solid Door) .....	AR
	00-263162	Harness – Light (3 Section) (Roll-In) .....	AR
	00-432340-00003	Ramp – Door With Heater Assy. (220 V.) (LH) .....	AR
	00-432340-00004	Ramp – Door With Heater Assy. (220 V.) (RH) .....	AR

\*Parts Are No Longer Manufactured. Some Parts May Still Be Available.



PL-55748

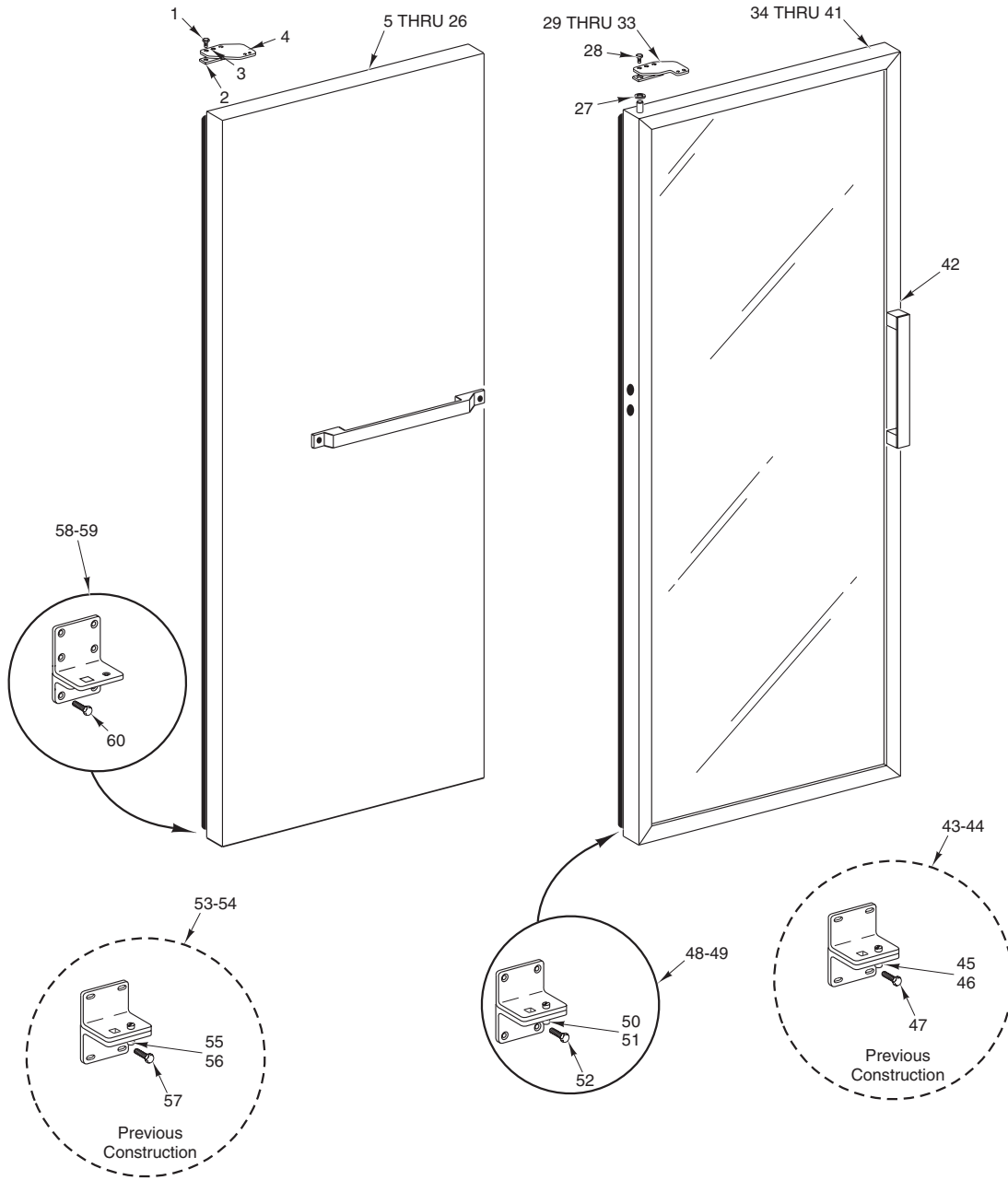
### HALF HEIGHT DOOR SOLID AND GLASS

ILLUS.	PART NO.	NAME OF PART	AMT.
	PL-55748		
1	00-283067	Plate – Hinge Mounting Assy. (Solid Doors, Upper Hinge) .....	AR
2	00-265716	Plate – Washer Hinge (Solid Doors, Upper Hinge) .....	AR
3	SD-033-08	Self-Tapping Screw <sup>5</sup> / <sub>16</sub> -18 x 1 Hex Washer Hd., Type TT (Solid Doors, Upper Hinge) .....	AR
*4	00-432518-00001	Door Assy. (LH) (Upper, Glass) (QE) .....	AR
*5	00-432518-00002	Door Assy. (RH) (Upper, Glass) (QE) .....	AR
*6	00-432520-00001	Door Assy. (LH) (Upper, Glass) (EQE) .....	AR
*7	00-432520-00002	Door Assy. (RH) (Upper, Glass) (EQE) .....	AR
*8	00-432511-00001	Door Assy. (LH) (Upper, Solid) (SST) (QE) .....	AR
*9	00-432511-00003	Door Assy. (LH) (Upper, Solid) (Silver) (QE) .....	AR
*10	00-432511-00002	Door Assy. (RH) (Upper, Solid) (SST) (QE) .....	AR
*11	00-432511-00004	Door Assy. (RH) (Upper, Solid) (Silver) (QE) .....	AR

## HALF HEIGHT DOOR (Cont.) SOLID AND GLASS

ILLUS. PL-55748	PART NO.	NAME OF PART	AMT.
*12	00-432515-00001	Door Assy. (LH) (Upper, Solid) (SST) (EQE) .....	AR
*13	00-432515-00003	Door Assy. (LH) (Upper, Solid) (Silver) (EQE) .....	AR
*14	00-432515-00002	Door Assy. (RH) (Upper, Solid) (SST) (EQE) .....	AR
*15	00-432515-00004	Door Assy. (RH) (Upper, Solid) (Silver) (EQE) .....	AR
*16	00-432517-00001	Door Assy. (LH) (Upper, Solid) (Silver) (EDE) .....	AR
17	00-265716	Plate – Washer Hinge (Glass Doors) .....	AR
18	00-267239	Plate – Lock (Glass Doors) .....	AR
19	SD-033-08	Self-Tapping Screw <sup>5</sup> / <sub>16</sub> -18 x 1 Hex Washer Hd., Type TT (Glass Doors) .....	AR
20	SC-067-05	Mach. Screw 8-32 x <sup>1</sup> / <sub>2</sub> Hex Hd. (SST) (Glass Doors) .....	AR
21	WS-028-21	Washer (SST) (Glass Doors) .....	AR
22	00-267143-00001	Ardco Hinge Plate Assy. (LH) (Glass Doors) .....	AR
23	00-267143-00002	Ardco Hinge Plate Assy. (RH) (Glass Doors) .....	AR
*24	00-432511-00010	Door Assy. (LH) (Lower, Solid) (SST) (QE) .....	AR
*25	00-432511-00012	Door Assy. (LH) (Lower, Solid) (Silver) (QE) .....	AR
*26	00-432511-00009	Door Assy. (RH) (Lower, Solid) (SST) (QE) .....	AR
*27	00-432511-00011	Door Assy. (RH) (Lower, Solid) (Silver) (QE) .....	AR
*28	00-432515-00010	Door Assy. (LH) (Lower, Solid) (SST) (EQE) .....	AR
*29	00-432515-00012	Door Assy. (LH) (Lower, Solid) (Silver) (EQE) .....	AR
*30	00-432515-00009	Door Assy. (RH) (Lower, Solid) (SST) (EQE) .....	AR
*31	00-432515-00011	Door Assy. (RH) (Lower, Solid) (Silver) (EQE) .....	AR
*32	00-432521-00001	Door Assy. (LH) (Lower, Glass) (EQE) .....	AR
*33	00-432521-00002	Door Assy. (RH) (Lower, Glass) (EQE) .....	AR
*34	00-432517-00003	Door Assy. (LH) (Lower, Solid) (SST) (EDE) .....	AR
*35	00-432517-00004	Door Assy. (RH) (Lower, Solid) (SST) (EDE) .....	AR
*36	00-432519-00001	Door Assy. (LH) (Lower, Glass) (QE) .....	AR
*37	00-432519-00002	Door Assy. (RH) (Lower, Glass) (QE) .....	AR
*38	00-432513-00003	Door Assy. (LH) (Lower, Solid) (SST) (DE) .....	AR
*39	00-432513-00004	Door Assy. (RH) (Lower, Solid) (SST) (DE) .....	AR
40	00-282363-00001	Bracket Hinge Assy. (LH) (Incls. Item 42) (Lower Glass Doors) .....	AR
41	00-282363-00002	Bracket Hinge Assy. (RH) (Incls. Item 42) (Lower Glass Doors) .....	AR
42	SC-122-07	Cap Screw <sup>1</sup> / <sub>4</sub> -20 x <sup>1</sup> / <sub>2</sub> Slotted Fil. Hd. ....	AR
43	SD-036-19	Self-Tapping Screw 10-32 x 1 <sup>1</sup> / <sub>4</sub> Phil. Pan Hd., Type TT .....	AR
44	00-432363-00001	Bracket – Hinge Assy. (LH) (Incls. Items 46 & 47) (Lower) (Solid Doors) .....	AR
45	00-432363-00002	Bracket – Hinge Assy. (RH) (Incls. Items 46 & 47) (Lower) (Solid Doors) .....	AR
46	WL-006-17	Lockwasher (SST) .....	AR
47	SC-018-40	Mach. Screw <sup>1</sup> / <sub>4</sub> -20 x <sup>1</sup> / <sub>2</sub> Phil. Pan Hd. ....	AR
48	SD-036-19	Self-Tapping Screw 10-32 x 1 <sup>1</sup> / <sub>4</sub> Phil. Pan Hd., Type TT .....	AR
49	00-432336-00001	Bracket – Hinge Assy. (LH) (Incls. Items 51 & 52) (Lower) .....	AR
50	00-432336-00002	Bracket – Hinge Assy. (RH) (Incls. Items 51 & 52) (Lower) .....	AR
51	WL-006-17	Lockwasher (SST) .....	AR
52	SC-041-50	Cap Screw <sup>1</sup> / <sub>4</sub> -20 x <sup>1</sup> / <sub>2</sub> Hex Hd. (SST) .....	AR
53	SD-036-19	Self-Tapping Screw 10-32 x 1 <sup>1</sup> / <sub>4</sub> Phil. Pan Hd., Type TT .....	AR
54	00-282259-00001	Bracket – Hinge Assy. (LH) (Lower) .....	AR
55	00-282259-00002	Bracket – Hinge Assy. (RH) (Lower) .....	AR
56	SD-036-19	Self-Tapping Screw 10-32 x 1 <sup>1</sup> / <sub>4</sub> Phil. Pan Hd., Type TT .....	AR
57	00-267156	Hinge Assy. (Center) (Ardco Glass) .....	AR
58	00-267042	Hinge Assy. (Center) (Standard) (Solid Doors) (Incls. Items 60 & 61) .....	AR
59	00-267043-00004	Shim .....	AR
60	SC-122-78	Mach. Screw 10-32 x 1 <sup>1</sup> / <sub>2</sub> Phil. Truss Hd. ....	AR
61	00-283709	Security Screw 10-32 x 1 <sup>1</sup> / <sub>4</sub> .....	AR

\*All Half Height Doors Are Obsolete, Available Only While Quantities Last. Afterwhich, Half Height Doors Are To Be Replaced By Full Height SST Doors.



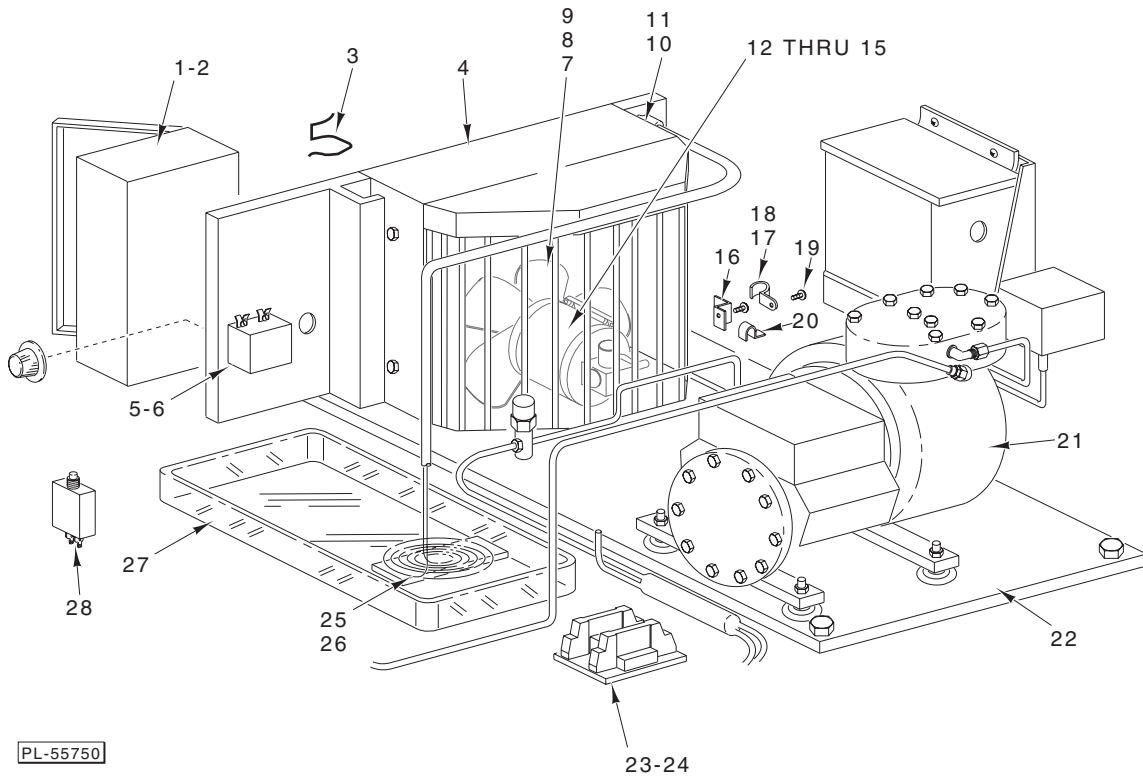
**FULL HEIGHT DOOR  
SOLID AND GLASS**

ILLUS.	PART NO.	NAME OF PART	AMT.
PL-55747			
1	NS-031-22	Stop Nut 1/4-28 Special .....	AR
2	00-265716	Plate – Washer Hinge (Solid Door, Upper Hinge) .....	AR
3	SD-033-08	Self-Tapping Screw 5/16-18 x 1 Hex Washer Hd., Type TT (Solid Door, Upper Hinge) .....	AR
4	00-283067	Plate – Hinge Assy. (Solid Doors, Upper Hinge) .....	AR
5	00-282277-00001	Door Assy. (LH) (SST) (QE) .....	AR
*6	00-432349-00002	Door Assy. (LH) (Silver) (QE) .....	AR
*7	00-432349-00003	Door Assy. (LH) (White) (QE) .....	AR
*8	00-432349-00004	Door Assy. (LH) (Almond) (QE) .....	AR

**FULL HEIGHT DOOR (Cont.)  
SOLID AND GLASS**

ILLUS. PL-55747	PART NO.	NAME OF PART	AMT.
9	00-282277-00002	Door Assy. (RH) (SST) (QE) .....	AR
*10	00-432349-00006	Door Assy. (RH) (Silver) (QE) .....	AR
*11	00-432349-00007	Door Assy. (RH) (White) (QE) .....	AR
*12	00-432349-00008	Door Assy. (RH) (Almond) (QE) .....	AR
*13	00-432403-00001	Door Assy. (LH) (SST) (EDE) .....	AR
*14	00-432403-00002	Door Assy. (RH) (SST) (EDE) .....	AR
15	00-432369-00001	Door Assy. (LH) (SST) (EQE) (Replaced by 00-282256-00001) .....	AR
*16	00-432369-00002	Door Assy. (LH) (Silver) (EQE) (Replaced by 00-282256-00001) .....	AR
*17	00-432369-00003	Door Assy. (LH) (White) (EQE) (Replaced by 00-282256-00001) .....	AR
*18	00-432369-00004	Door Assy. (LH) (Almond) (EQE) (Replaced by 00-282256-00001) .....	AR
19	00-282256-00001	Door Assy. (LH) (EQES) .....	AR
20	00-432369-00005	Door Assy. (RH) (SST) (EQE) (Replaced by 00-282256-00002) .....	AR
*21	00-432369-00006	Door Assy. (RH) (Silver) (EQE) (Replaced by 00-282256-00002) .....	AR
*22	00-432369-00007	Door Assy. (RH) (White) (EQE) (Replaced by 00-282256-00002) .....	AR
*23	00-432369-00008	Door Assy. (RH) (Almond) (EQE) (Replaced by 00-282256-00002) .....	AR
24	00-282256-00002	Door Assy. (RH) (EQES) .....	AR
*25	00-432398-00001	Door Assy. (LH) (SST) (Solid Door) (DE) .....	AR
*26	00-432398-00002	Door Assy. (RH) (SST) (Solid Door) (DE) .....	AR
27	WS-029-77	Washer (Nylon) .....	AR
28	00-267239	Plate – Lock (Glass Doors, Upper Hinge) .....	AR
29	SC-014-61	Mach. Screw 1/4-20 x 1/2 Slotted Flat Hd. (Glass Doors, Upper Hinge) .....	AR
30	00-267042	Hinge Assy. (Glass Doors, Upper Hinge) .....	AR
31	00-267043-00004	Shim .....	AR
32	SC-122-78	Mach. Screw 10-32 x 1 1/2 Phil. Truss Hd. .....	AR
33	00-239309-00004	Plug – Hole .....	AR
*34	00-432434-00001	Door Assy. (LH) (Glass) (QE) (Incls. Items 27 thru 33 & 42 thru 50) .....	AR
*35	00-432434-00002	Door Assy. (RH) (Glass) (QE) (Incls. Items 27 thru 33 & 42 thru 50) .....	AR
*36	00-432434-00005	Door Assy. (LH) (Glass) (QEF) .....	AR
*37	00-432434-00006	Door Assy. (RH) (Glass) (QEF) .....	AR
*38	00-432435-00001	Door Assy. (LH) (Glass) (EQE) .....	AR
*39	00-432435-00002	Door Assy. (RH) (Glass) (EQE) .....	AR
*40	00-432435-00005	Door Assy. (LH) (Glass) (EQEF) .....	AR
*41	00-432435-00006	Door Assy. (RH) (Glass) (EQEF) .....	AR
42	00-267262-00001	Strike Assy. ....	AR
43	00-432509-00001	Bracket Hinge Assy. (LH) (Lower) (Glass Door) .....	AR
44	00-432509-00002	Bracket Hinge Assy. (RH) (Lower) (Glass Door) .....	AR
45	SC-067-05	Mach. Screw 8-32 x 1/2 Hex Hd. (SST) (Glass Doors) .....	AR
46	WS-029-77	Washer (Nylon) .....	AR
47	SD-036-19	Self-Tapping Screw 10-32 x 1 1/4 Phil. Pan Hd., Type TT .....	AR
48	00-282363-00001	Bracket Hinge Assy. (LH) (Lower) (Incls. Items 50 and 51) (Glass Door) .....	AR
49	00-282363-00001	Bracket Hinge Assy. (RH) (Lower) (Incls. Items 50 and 51) (Glass Door) .....	AR
50	WL-006-17	Lockwasher (SST) .....	AR
51	SC-018-40	Mach. Screw 1/4-20 x 1/2 Phil. Pan Hd. ....	AR
52	SD-036-19	Self-Tapping Screw 10-32 x 1 1/4 Phil. Pan Hd., Type TT .....	AR
53	00-432336-00001	Bracket Hinge Assy. (LH) (Lower) (Incls. Items 55 and 56) (Solid Door) .....	AR
54	00-432336-00001	Bracket Hinge Assy. (RH) (Lower) (Incls. Items 55 and 56) (Solid Door) .....	AR
55	WL-006-17	Lockwasher (SST) .....	AR
56	SC-041-50	Cap Screw 1/4-20 x 1/2 Hex Hd. (SST) .....	AR
57	SD-036-19	Self-Tapping Screw 10-32 x 1 1/4 Phil. Pan Hd., Type TT .....	AR
58	00-282259-00001	Bracket Hinge Assy. (LH) (Lower) (Solid Door) .....	AR
59	00-282259-00002	Bracket Hinge Assy. (RH) (Lower) (Solid Door) .....	AR
60	SD-036-19	Self-Tapping Screw 10-32 x 1 1/4 Phil. Pan Hd., Type TT .....	AR
	00-434343	Plate – Wiper Mounting .....	AR
	00-434341	Bracket – Wiper Mounting .....	AR
	00-433536-00001	Sweep – Glass Door .....	AR

\*Doors No Longer Manufactured. Available While Quantities Last, To Be Replaced By Solid SST Door.

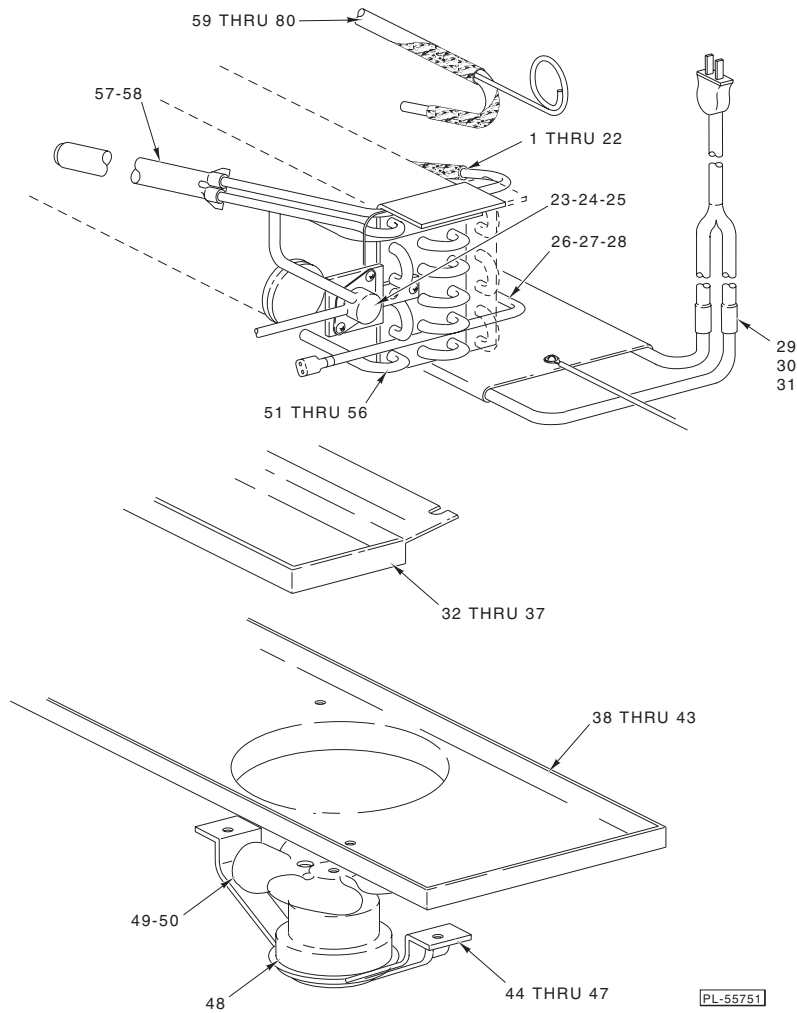


**CONDENSING UNIT**

## CONDENSING UNIT

ILLUS. PL-55750	PART NO.	NAME OF PART	AMT.
1	00-266721-00001	Timer – Defrost (QEF/EQEF/DEF) .....	AR
2	SD-008-40	Self-Tapping Screw 8-18 x $\frac{3}{8}$ Phil. Truss Hd., Type B .....	AR
3	00-263278	Clip – Shroud (QEF1/EQEF1/DEF1) .....	AR
4	00-262718-00003	Coil – Condenser (QEF1/EQEF1/DEF1) .....	AR
5	00-267274	Control Thermostat (QEF1/2/3, EQEF1/2/3, DEF1/2/3) .....	AR
6	00-267275	Control Thermostat (QE1/2/3, EQE1/2/3, DE1/2/3) .....	AR
7	00-265773-00001	Blade – Fan (9 In.) (QEF1/EQEF1/DEF1) .....	AR
8	00-265182	Washer – Vibration (QEF1/EQEF1/DEF1) .....	AR
9	00-263339	Nut – Hex $\frac{1}{4}$ -20 KEPS .....	AR
10	00-237933	Shroud – Condenser (QEF1/EQDF1/DEF1) .....	AR
11	SD-017-14	Self-Tapping Screw 10-16 x $\frac{1}{2}$ Phil. Truss Hd., Type AB (QEF1/EQEF1/DEF1) .....	AR
12	00-267074-00001	Motor – Evaporator 115 V. (QEF1/EQEF1/DEF1) .....	AR
13	00-265181	Mach. Screw 8-36 x $\frac{3}{8}$ Special (QEF1/EQEF1/DEF1) .....	AR
14	00-266607	Bracket – Condenser Fan (QEF1/EQEF1/DEF1) .....	AR
15	SD-017-14	Self-Tapping Screw 10-16 x $\frac{1}{2}$ Phil. Truss Hd., Type AB (QEF1/EQEF1/DEF1) .....	AR
16	00-239439	Tubing Bracket Assy. (QEF1/EQEF1/DEF1) .....	AR
17	00-263079-00002	Clamp – Tube ( $\frac{1}{4}$ ) (QEF1/EQEF1/DEF1) .....	AR
18	00-265550	Bracket – Muffler (QEF1/EQEF1/DEF1) .....	AR
19	00-266357-00003	Thumb Screw – Knurled (SST) (QEF1/EQEF1/DEF1) .....	AR
20	00-283024	Clamp – Wire (QEF1/EQEF1/DEF1) .....	AR
21	-	Compressor/Condensing Unit (See Chart On Page 18) .....	AR
22	00-432378	Base (QEF1/EQEF1/DEF1) .....	AR
23	00-087713-086-1	Contact – Single Pole 50/60 Hz. (All Models Except QE1 & EQE1) .....	AR
24	00-281166	Cover – Contactor (All Models Except QE1 & EQE1) .....	AR
25	00-432382	Discharge Tube Assy. (All 1 Section Freezers) (R12 Refrigerant) .....	AR
26	00-432651	Discharge Tube Assy. (All 2 & 3 Section Freezers) (R12 Refrigerant) .....	AR
27	00-239090	Dish (All Freezer Models Only) .....	AR
28	00-279055	Circuit Breaker .....	AR
	00-282916	Plate – Off Indicator (Use with Items 5 & 6) .....	AR
	00-432599	Cover – UL (Top) (QE3) .....	AR
	00-432633	Cover – UL (End) (QE3) .....	AR
	00-432601	Cover – UL (Rear) (QE3) .....	AR
	00-281878	Control – High Pressure .....	AR

**QE SERIES REPLACEMENT PARTS**



**EVAPORATOR ASSEMBLY**

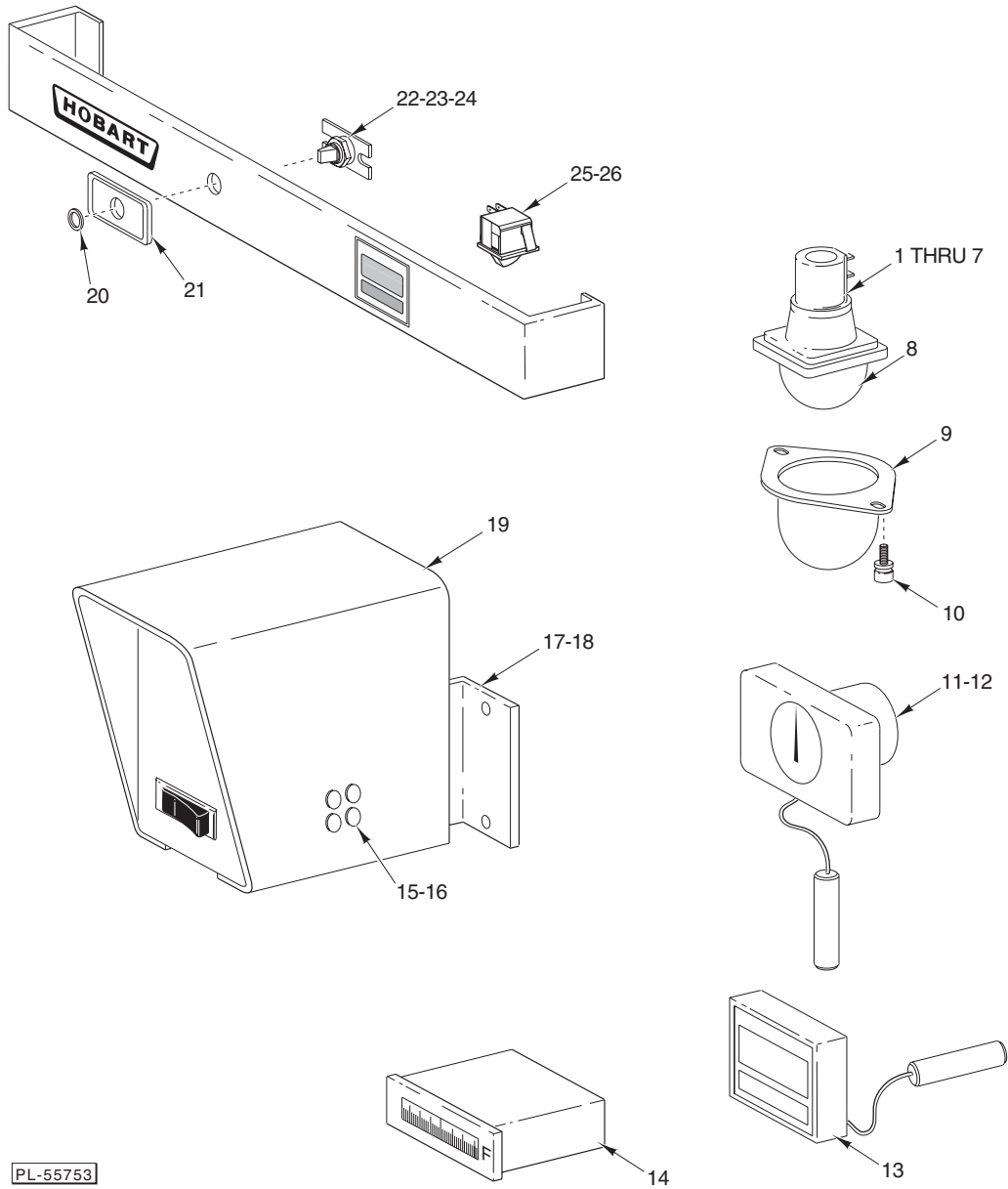
ILLUS.	PART NO.	NAME OF PART	AMT.
	PL-55751		
*1	00-432567	Heat Exchanger Assy. (QE1) .....	AR
2	00-281056	Heat Exchanger Assy. (QE2) .....	AR
3	00-432634	Heat Exchanger Assy. (QE3) .....	AR
4	00-432632	Heat Exchanger Assy. (QEF1) (R502) .....	AR
5	00-282079	Heat Exchanger Assy. (QEF1) (R404) .....	AR
6	00-432636	Heat Exchanger Assy. (QEF2) (R22) .....	AR
7	00-432636-00002	Heat Exchanger Assy. (QEF2) (R404) .....	AR
8	00-432637	Heat Exchanger Assy. (QEF3) (R502) .....	AR
*9	00-432567	Heat Exchanger Assy. (EQE1) .....	AR
**10	00-432638	Heat Exchanger Assy. (EQE2) .....	AR
11	00-432635	Heat Exchanger Assy. (EQE3) .....	AR
12	00-432632	Heat Exchanger Assy. (EQEF1) (R502) .....	AR
13	00-282079	Heat Exchanger Assy. (EQEF1) (R404) .....	AR
14	00-432639	Heat Exchanger Assy. (EQEF2) .....	AR
15	00-432636-00002	Heat Exchanger Assy. (EQEF2) (R404) .....	AR
16	00-432637	Heat Exchanger Assy. (EQEF3) (R404) .....	AR
*17	00-432567	Heat Exchanger Assy. (DE1) .....	AR
18	00-281058	Heat Exchanger Assy. (DE2) .....	AR
19	00-281058	Heat Exchanger Assy. (DE3) .....	AR
*20	00-432567	Heat Exchanger Assy. (DEF1) (R404) .....	AR
21	00-432636-00002	Heat Exchanger Assy. (DEF2) (R404) .....	AR
22	00-432637	Heat Exchanger Assy. (DEF3) (R404) (QEF3) .....	AR
23	00-269122	Thermostat – Safety (QEF1, 2, 3, & EQEF1, 2) .....	AR

## EVAPORATOR ASSEMBLY (Cont.)

ILLUS.	PART NO.	NAME OF PART	AMT.
	PL-55751		
24	00-239872	Bracket – Safety Thermostat (QEF1, 2, 3, & EQEF1, 2)	AR
25	SD-008-40	Self-Tapping Screw 8-18 x 3/8 Phil. Truss Hd., Type B	AR
26	00-239079	Heater – Evaporator Defrosting (QEF1/QEF2)	AR
27	00-239083	Heater – Evaporator Defrosting (QEF2, 3, & EQEF2)	AR
28	00-432628	Heater – Evaporator Defrosting (QEF3/EQEF3)	AR
29	00-267021-00002	Drain Pan Heater Assy. (1 Section)	AR
30	00-267021-00003	Drain Pan Heater Assy. (2 Section)	AR
31	00-266082-00005	Drain Pan Heater Assy. (3 Section)	AR
32	00-280937	Drain Pan Replacement (1 Section)	AR
33	00-280941	Drain Pan Replacement (2 Section)	AR
34	00-280938	Drain Pan Replacement (3 Section)	AR
35	00-070641-00016	Thumb Screw #8	AR
36	00-239406	Clip – Pan Support	AR
37	SD-033-33	Self-Tapping Screw 8-18 x 5/8 Phil Truss Hd., Type A	AR
38	00-264384	Fan Orifice Assy. (Incls. Items 41, 44, 45, 47, 48, 49, & 50)	AR
39	00-432626	Orifice – Fan Assy. (QE3) (2 Fan) (Incls. Items 43, 44, 46, 47, 48, 49, & 50)	AR
40	00-263449	Orifice – Fan Assy. (Incls. Items 42, 46, 47, 48, & 50)	AR
41	00-263737	Orifice – Fan (QE1)	AR
42	00-239483	Orifice – Fan (QE2/3)	AR
43	00-432625	Panel – Orifice (QE3) (2 Fan)	AR
44	00-263339	Nut – 1/4-20 Hex KEPS	AR
45	00-239480	Bracket – Fan Motor (1-Section)	AR
46	00-239490	Bracket – Fan Motor (2 & 3-Section)	AR
47	SC-109-44	Mach. Screw 1/4-20 x 3/4 Hex Washer Hd.	AR
48	00-267074-00003	Evaporator Fan Motor Assy. (115 V.) (Vertical)	AR
49	00-265773-00001	Blade – Fan (9")	AR
50	00-265181	Mach. Screw 8-36 x 3/8 Special	AR
51	00-262575-00002	Evaporator – Coil (QE1/EQE1/DE)	AR
52	00-262577-00002	Evaporator – Coil (QE2/DE2)	AR
53	00-263713	Evaporator – Coil (QE3/EQE3/DE3)	AR
54	00-262576-00002	Evaporator – Coil (QEF1/EQEF1/DEF1)	AR
55	00-262578-00002	Evaporator – Coil (QEF2/EQEF2/DEF2)	AR
56	00-432627	Evaporator – Coil (QEF3/EQEF3/DEF3)	AR
57	00-262708	Accumulator (QE1/EQE1)	AR
58	00-262712	Accumulator (All Other Models Covered in this Catalog)	AR
59	00-267222-00011	Capillary Tube (QE1) (R22)	AR
60	00-267222-00008	Capillary Tube (QE2) (R22)	AR
61	00-267222-00004	Capillary Tube (QE3) (R22)	AR
62	00-267222-00006	Capillary Tube (QEF1) (R502)	AR
63	00-267222-00016	Capillary Tube (QEF1) (R404)	AR
64	00-267222-00011	Capillary Tube (QEF2) (R22)	AR
65	00-267222-00018	Capillary Tube (QEF2) (R404)	AR
66	00-267222-00012	Capillary Tube (QEF3) (R404)	AR
67	00-267222-00011	Capillary Tube (EQE1) (R22)	AR
68	00-267222-00002	Capillary Tube (EQE2) (R22)	AR
69	00-267222-00003	Capillary Tube (EQE3) (R22)	AR
70	00-267222-00006	Capillary Tube (EQEF1) (502)	AR
71	00-267222-00016	Capillary Tube (EQEF1) (R404)	AR
72	00-267222-00007	Capillary Tube (EQEF2) (R22)	AR
73	00-267222-00018	Capillary Tube (EQEF2) (R404)	AR
74	00-267222-00012	Capillary Tube (EQEF3) (R404)	AR
75	00-267222-00011	Capillary Tube (DE1) (R22)	AR
76	00-267222-00011	Capillary Tube (DE2) (R22)	AR
77	00-267222-00012	Capillary Tube (DE3) (R404)	AR
78	00-267222-00016	Capillary Tube (DEF1) (R404)	AR
79	00-267222-00011	Capillary Tube (DEF2) (R22)	AR
80	00-267222-00012	Capillary Tube (DEF3) (R404)	AR
	00-263755	Housing – Evaporator (1-Section)	AR
	00-239413	Housing – Evaporator (2-Section)	AR
	00-265341	Housing – Evaporator (3-Section)	AR

\*Superseded by 00-283388 (R134A) (Capillary Tube 00-267222-00026); for service use 00-432567.

\*\*Superseded by 00-283389 (R134A) (Capillary Tube 00-267222-00027); for service use 00-432638.



PL-55753

**INTERIOR LIGHTS  
THERMOMETER AND ALARM**

**INTERIOR LIGHTS  
THERMOMETER AND ALARM**

ILLUS. PL-55753	PART NO.	NAME OF PART	AMT.
1	00-263035	Holder – Lamp .....	AR
2	00-267267	Harness – Light (1-Section) (Roll-In) .....	AR
3	00-263161	Harness – Light (2-Section) (Roll-In) .....	AR
4	00-263162	Harness – Light (3-Section) (Roll-In) .....	AR
5	00-267268	Harness – Light (1-Section) (Pass-Thru) .....	AR
6	00-263164	Harness – Switch (2-Section) (Pass-Thru) .....	AR
7	00-263165	Harness – Light (3-Section) (Pass-Thru) .....	AR
8	00-263041	Bulb – Light (40 W.) .....	AR
9	00-239059	Shield – Light .....	AR
10	00-266357-00003	Thumb Screw – Knurled (SST) .....	AR
*11	00-431677	Thermometer (Dial) .....	AR
*12	NS-009-02	Mach. Nut 4-40 Hex .....	AR
13	00-431677	Thermometer – Solar (QE/EQE) .....	AR
14	00-431892	Thermometer (Dial) (Type TF Drum) (DE) .....	AR
15	00-249907-00003	Sensor – Low Temperature .....	AR
16	00-249907-00004	Sensor – Medium Temperature .....	AR
17	00-262433	Bracket – Alarm Box Mtg. ....	AR
18	SD-032-07	Self-Tapping Screw 10-24 x 1/2 Hex Washer Hd., Type TT .....	AR
19	00-249906-00003	Box – Alarm (TAH-100) .....	AR
20	00-239978	Nut – Face .....	AR
21	00-239984	Light – Switch Decal .....	AR
22	00-268139	Switch (On/Off) .....	AR
23	00-268140	Wiring Harness (By-Pass Switch) .....	AR
24	SD-008-40	Self-Tapping Screw 8-18 x 3/8 Phil. Truss Hd., Type B .....	AR
25	00-087711-00303	Switch – Normally Closed .....	1
26	00-283064	Shim – Light Switch .....	1
	ML-030000	Alarm System (Med. Temp.) (Incls. Items 16 thru 19) .....	AR
	ML-030001	Alarm System (Low Temp.) (Incls. Items 15, 17, 18, & 19) .....	AR
	00-281704	Battery – Solar Thermometer .....	AR
	00-430037	Thermometer .....	AR
	00-264882	Label – Refrigeration ID .....	AR
	00-264883	Label – Freezer ID .....	AR
	00-432120-00001	Nameplate – Thermostat (Refrigerators) .....	AR
	00-432120-00002	Nameplate – Thermostat (Freezers) .....	AR

\*Parts Are No Longer Manufactured. Some Parts May Still Be Available.

**COMPRESSOR/CONDENSING UNIT  
(PART NUMBERS R502/R404/R134A/R22)**

MODEL	VOLTAGE	REFRIG- ERANT	CONDENSING UNIT		COMPRESSOR	
			HOBART P/N	COPELAND MODEL	HOBART P/N	COPELAND MODEL
QE1, EQE1, DE1	120/60/1	R22	431815	MDPH-M033-IAA-101	N/A	ARF4-0033-IAA-200
QEF1, EQEF1, DEF1	120/60/1	R22	N/A	N/A	N/A	RSN5-0075-CAA-202
QEF1	115/60/1	R502	***431787		280725	RSN5-0075-CAA-202
QEF1		R404A	282081-1	FJCF-A075-CAA	N/A	R564CIECAB
QE2, DE2	120/60/1	R22	431816	F2EM-0052-IFA-140	N/A	JRF4-0005-IFA-202
QE2, DE2	208-230/60/1	R22	431817	F2EM-0052-IAV-140	N/A	JRF4-0050-IAV-202
EQE2	120/60/1	R22	*432542-1	F2EH-A075-IAA-141	N/A	RSE4-0075-IAA-203
EQE2	208-230/60/1	R22	**432542-2	F2EH-A075-IAV-141	N/A	RSE4-0075-IAV-203
QEF2, EQEF2	230/60/1	R404A	282041-1	EJAL-A103-CAV-110		
QEF2, DEF2	208-230/60/1	R22	432195	EKAL-A100-CAV-110	N/A	KAJB-0100-CAV-100
EQEF2	208-230/60/1	R22	432544	ELAL-A152-CAV-010	N/A	KAKB-0200-CAV-100
QE3, DE3	120/60/1	R22	432543-1	F2EM-A077-CAA-141	N/A	RRG4-0100-PAA-202
QE3, DE3	208-230/60/1	R22	432543-2	F2EM-A077-CAV-141	N/A	RRG4-0100-PAV-226
EQE3	208-230/60/1	R502	431849	F3AM-A102-CAV-001	N/A	REY3-0175-PFV-213
QEF3, EQEF3	230/60/1	R404A	282042-1	EJAE-0175-CAV-006		
QEF3, EQEF3, DEF3	208-230/60/1	R502	432596	E3AL-0175-CAV-010	N/A	KATB-0150-CAV-100

\* Use existing stock; superseded by 00-434293-00004 (R134A).  
 \*\* Use existing stock; superseded by 00-434293-00005 (R134A).  
 \*\*\* Use existing stock; superseded by [00-434294-00010](#) (R404).



ML's Used To Make This Catalog

- ML-030000 HIGH TEMP ALARM, REFRIGERATOR
- ML-030001 HIGH TEMP ALARM, FREEZER
- ML-049715 QE1 (SUP. BY ML-111507) & EQE1
- ML-049717 QE2 (SUP. BY ML-111508)
- ML-049719 QE3
- ML-049721 QEF1 & EQEF1 (SUP. BY ML-111268 (BJ only))
- ML-049724 QEF2 (SUP. BY ML-111269 (BD only))
- ML-049727 QEF3 (SUP. BY ML-111270 (BD only))
- ML-049730 QES1
- ML-049731 QESA1 (SUP. BY ML-111526)
- \* ML-049732 QEC1
- ML-049733 QESD1
- ML-049734 QESAD1 (SUP. BY ML-111527)
- \* ML-049735 QECD1
- ML-049736 QESF1
- ML-049737 QESAF1 (SUP. BY ML-111529)
- \* ML-049738 QECF1
- ML-049739 QESDF1
- ML-049740 QESADF1 (SUP. BY ML-111528)
- \* ML-049741 QECDF1
- ML-049742 QES2
- ML-049743 QESA2 (SUP. BY ML-111530)
- \* ML-049744 QEC2
- ML-049745 QESD2
- ML-049746 QESAD2 (SUP. BY ML-111531)
- \* ML-049747 QECD2
- ML-049748 QESF2
- ML-049749 QESAF2 (SUP. BY ML-111533)
- \* ML-049750 QECF2
- ML-049751 QESDF2
- ML-049752 QESADF2 (SUP. BY ML-111532)
- \* ML-049753 QECDF2
- ML-049754 QES3
- ML-049755 QESA3 (SUP. BY ML-111534)
- \* ML-049756 QEC3
- ML-049757 QESD3
- ML-049758 QESAD3 (SUP. BY ML-111535)
- \* ML-049759 QECD3
- ML-049760 QESF3
- ML-049761 QESAF3 (SUP. BY ML-111537)
- \* ML-049762 QECF3
- ML-049763 QESDF3
- ML-049764 QESADF3 (SUP. BY ML-111536)
- \* ML-049765 QECDF3
- ML-049766 EQES1
- ML-049767 EQESA1
- \* ML-049768 EQEC1
- ML-049769 EQESD1
- ML-049770 EQESAD1
- ML-049771 EQECD1
- \* ML-049772 EQESF1
- \* ML-049773 EQESAF1
- \* ML-049774 EQECF1
- \* ML-049775 QESDF1
- \* ML-049777 EQECD1
- ML-049790 EQES3
- ML-049791 EQESA3
- ML-049792 EQESD3
- ML-049793 EQESD3
- ML-049794 EQESAD3
- \* ML-049795 EQECD3
- \* ML-049796 EQESF3
- \* ML-049797 EQESAF3
- \* ML-049798 EQECF3
- \* ML-049799 QESDF3
- \* ML-049801 QECDF3
- \* ML-049802 DE1
- \* ML-049803 DE2
- \* ML-049804 DE3
- \* ML-049805 DEF1
- \* ML-049806 DEF2
- \* ML-049807 DEF3
- \* ML-049808 EQE2
- \* ML-049809 EQE3
- \* ML-049810 EQEF2
- \* ML-049811 EQEF3

\*Obsolete ML Number