



# CATALOG OF REPLACEMENT PARTS



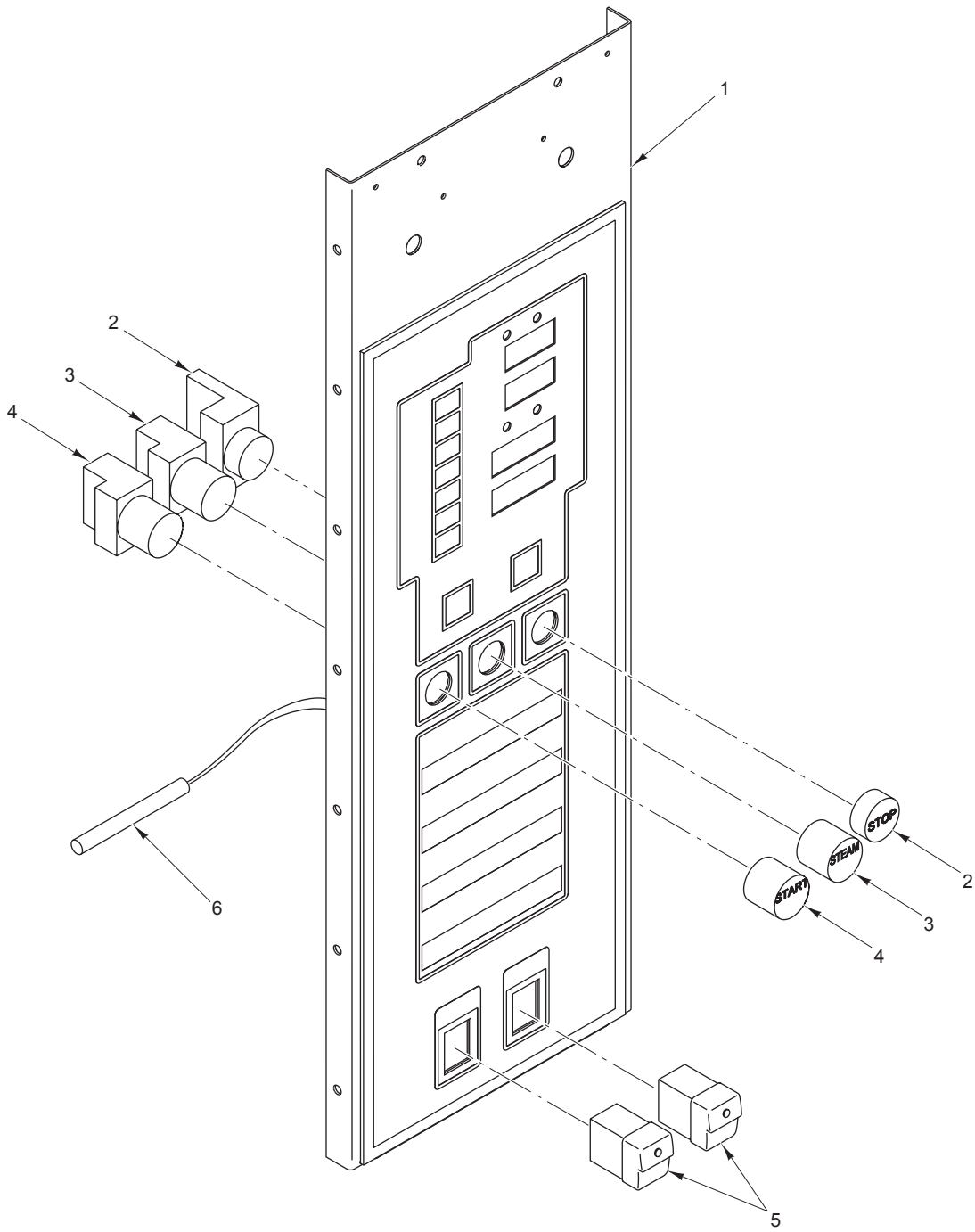
## LUCKS R SERIES GAS RACK OVEN (1997-2000)

R20G-R  
R20G-RM  
R30G-RM



**Table of Contents**

5	CONTROLS
7	COMPONENTS
9	DOOR
11	SINGLE POINT EXHAUST
13	CABINET AND LIGHT
15	LIFTER AND ROTATOR
17	BLOWER
19	GAS TRAIN
21	GAS BURNER AND BLOWER
23	WATER SUPPLY
24	HEAT EXCHANGER

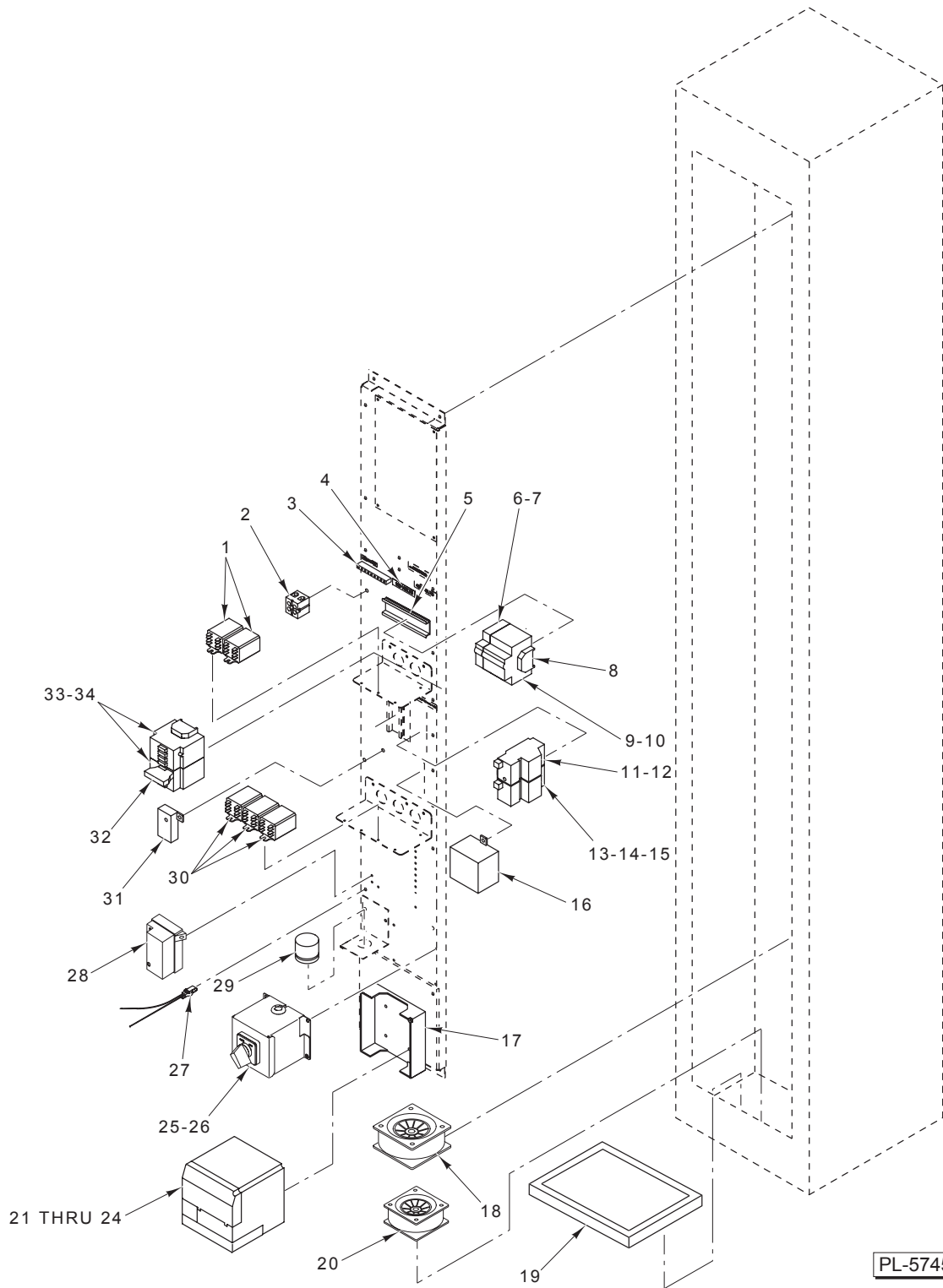


PL-57438

**CONTROLS**

**CONTROLS**

ILLUS.	PART NO.	NAME OF PART	AMT.
PL-57438			
1	01-113099	Control Sub-Panel Assy. ....	1
2	01-206773	Switch – Push Button (Stop) .....	1
3	01-206774	Switch – Push Button (Steam) .....	1
4	01-206772	Switch – Push Button (Start) .....	1
5	01-206771	Switch – Oval Button (Power/Light) .....	2
6	01-115004	Thermocouple 4 In. x 12 Ft. (J-Type) .....	1
	01-113418	Switch Assy. – Emergency (Correctional) .....	1
	01-206761	Receptacle – 2-Pin Connector (Used with 01-113418) .....	1
	01-113059	Control Panel Assy. (Reliant) (Incls. Items 1 thru 6) .....	1
	01-115150	Control Panel Assy. (Safeway I) .....	1
	01-115151	Control Panel Assy. (Safeway II) .....	1
	01-115152	Control Panel Assy. (Safeway III) .....	1

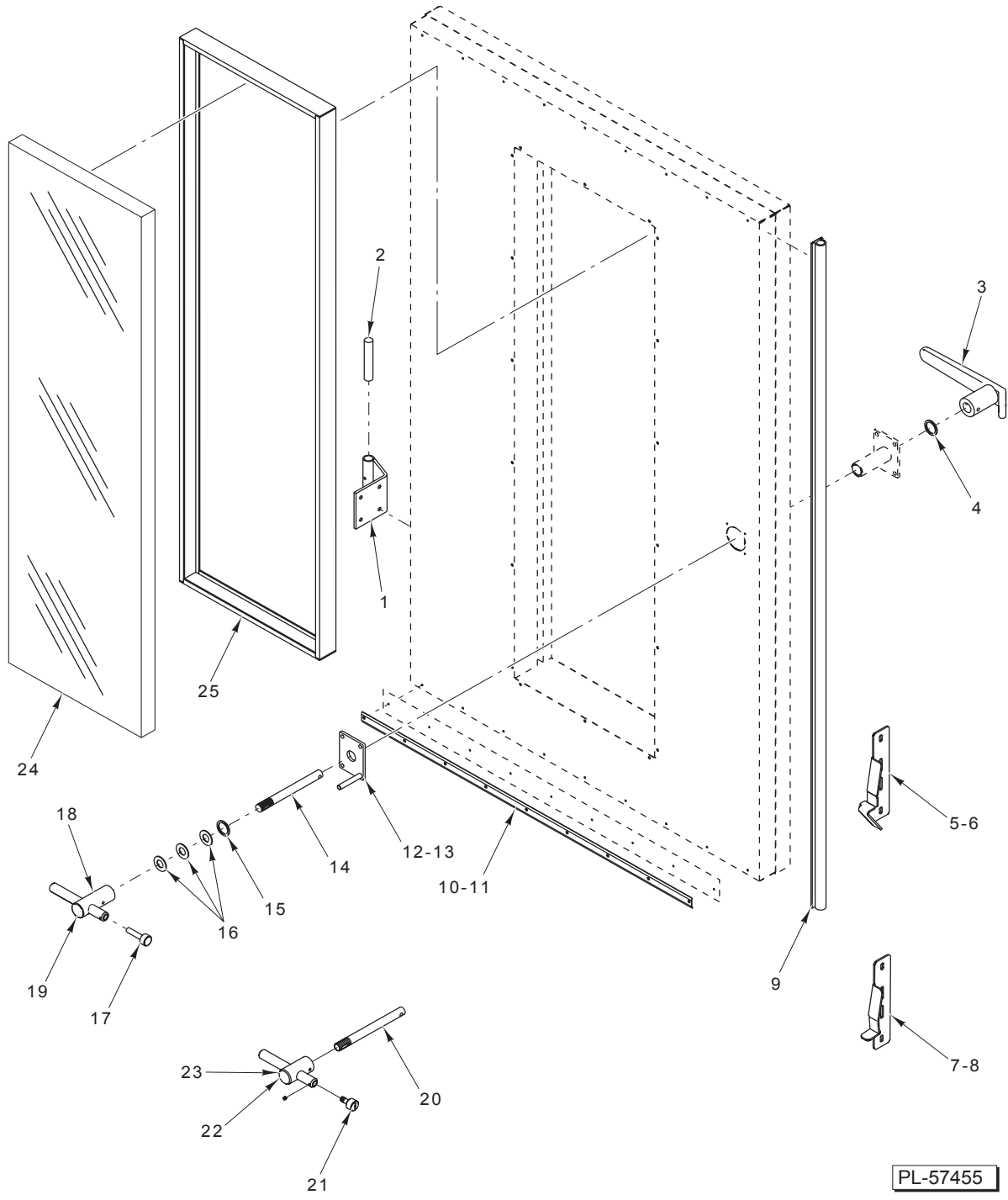


PL-57453

**COMPONENTS**

COMPONENTS

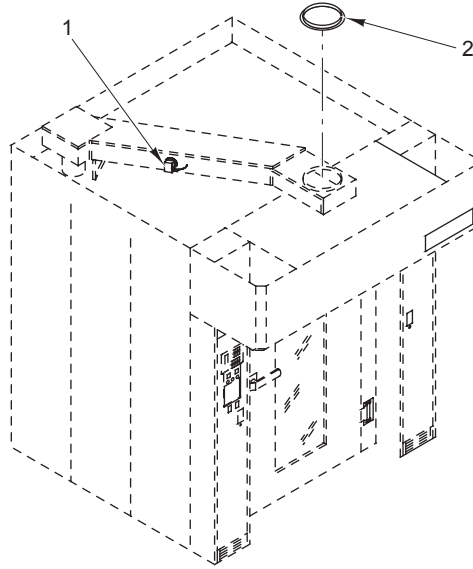
ILLUS.	PART NO.	NAME OF PART	AMT.
PL-57453			
1	01-207799	Relay (120 V., 30 Amp.) DPDT .....	2
2	01-207004	Terminal Block (85 Amp.) .....	1
3	01-207155	Terminal – Ground (7-Position) .....	1
4	01-200007	Label – 120 V. ....	1
5	01-112480	Rail – Din X 4.50 .....	2
6	01-207195	Circuit Breaker (1-Pole, 25 Amp., 220-480 V.) .....	1
7	01-206576	Circuit Breaker (1-Pole, 20 Amp., 220-440 V.) .....	1
8	01-206724	End Stop – Terminal Din Rail (120 V., 1 Ph.) .....	4
9	01-206578	Circuit Breaker (2-Pole, 16 Amp., 220-480 V.) .....	1
10	01-206987	Circuit Breaker (3-Pole, 16 Amp., 220-480 V.) .....	1
11	01-207216	Overload – Motor Starter (6.5 Amp., ABB) .....	1
12	01-207212	Overload – Motor Starter (1.0 Amp., ABB) .....	1
13	01-206896	Overload – Motor Starter (19 Amp., ABB) .....	1
14	01-207217	Overload – Motor Starter (11 Amp., ABB) .....	1
15	01-207215	Overload – Motor Starter (3.1 Amp., ABB) .....	1
16	01-206612	Transformer (60 VA, 120 V. - 24/12 VDC) .....	1
17	01-206880	Base – Controller Panel Mount .....	1
18	01-206884	Fan – Axial (6 In.) .....	1
19	01-206885	Filter – Air Facet (Disposable 7 x 9 <sup>5</sup> / <sub>8</sub> x 1) .....	2
20	01-206810	Fan – Axial (4 In.) .....	1
21	01-113083	Controller Box Assy. (7895) .....	1
22	01-206878	Controller – Burner (RM7895) .....	1
23	01-206883	Amplifier 3 Sec. (RM7895) .....	1
24	01-206886	Timer – Purge 10 Sec. (RM7895) .....	1
25	01-116530	Switch Assy. – Backup .....	1
26	01-205324	Grommet <sup>7</sup> / <sub>8</sub> I.D. x 1 <sup>1</sup> / <sub>4</sub> O.D. ....	1
27	01-045015	Alarm – Buzzer (120 V.) .....	1
28	01-1000V6-00254	Kit – Hi-Limit Retrofit .....	1
29	01-207803	Buzzer Assy. (6-28 VAC) (Sonalert) .....	1
30	01-207798	Relay (24 VAC Coil, 30 Amp.) DPDT .....	3
31	01-206868	Terminal Block – Quick Connect .....	1
32	01-206898	Contact – Aux. N.O., ABB .....	1
33	01-207208	Contact (9 Amp., 24 VAC, ABB) .....	2
34	01-207208	Contact (9 Amp., 24 VAC, ABB) .....	1
	01-206877	Timer – Delay (On) (20 SBC) .....	1
	01-045022	Knob – Black Ball x 1 <sup>1</sup> / <sub>2</sub> Dia. ....	1
	01-206866	Knob – Thermostat 500 Deg. F .....	1
	01-080955	Knob – Timer Switch .....	1
	01-115028	Harness Assy. – Burner Controller .....	1



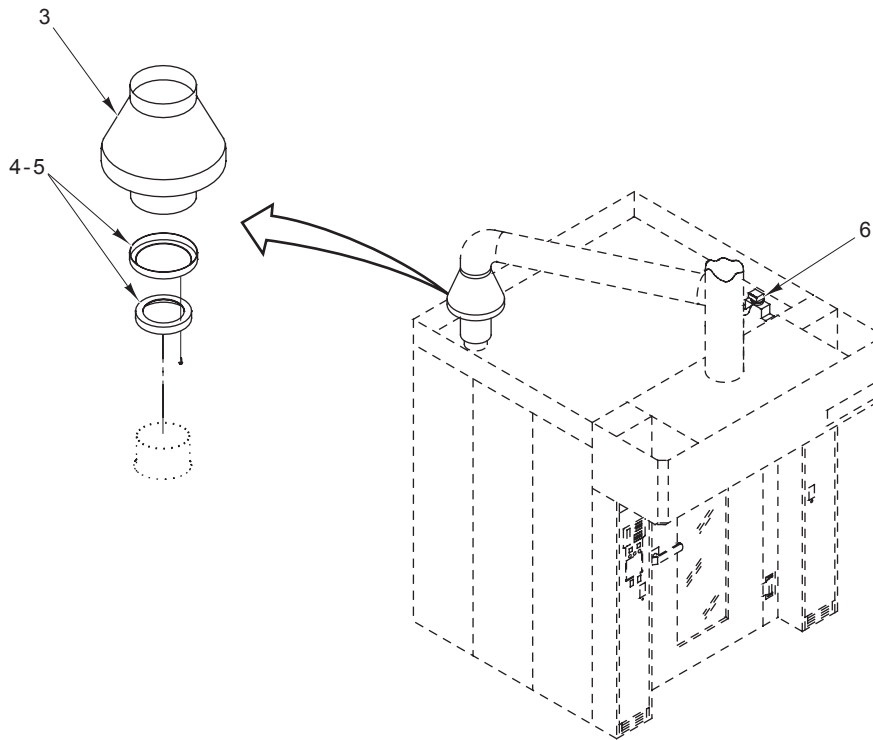
**DOOR**

DOOR

ILLUS.	PART NO.	NAME OF PART	AMT.
	PL-57455		
1	01-113919	Hinge Flag Assy. ....	2
2	01-110047	Pin – Hinge .....	2
3	01-113000	Handle – Outer Door (Grey Powder Coated) .....	1
4	01-206978	Washer 3/4 In. I.D. (Teflon) (Door Handle) .....	2
5	01-115156	Latch Plate RHD (1999) .....	1
6	01-115157	Latch Plate LHD (1999) .....	1
7	01-114003	Latch – Weld. RHD (1997) .....	1
8	01-114001	Latch – Weld. LHD (1997) .....	1
9	01-205665	Gasket – Door .....	18 Ft.
10	01-110268	Mounting Strip – Door Sweep (R20) .....	1
11	01-113019	Mounting Strip – Door Sweep (R30/RM30) .....	1
12	01-111196	Mounting Plate Assy. – Inner Door Handle RHD (R20-99) (Shown) .....	1
13	01-111195	Mounting Plate Assy. – Inner Door Handle LHD (R20-99) .....	1
14	01-115026	Shaft – Door Handle (1997) .....	1
15	01-206978	Washer 3/4 In. I.D. (Door Handle) (Teflon) .....	2
16	01-112282	Spacer Washer .....	4
17	01-206976	Cam Follower .....	1
18	01-113209	Handle – Inner Door Weld., LHD/RHD (R20/R30) .....	1
19	01-113208	Handle Assy. – Inner Door (RM20/RM20) (Incls. Items 14, 16, 17, & 18) .....	1
20	01-112284	Shaft – Door Handle .....	1
21	01-206976	Cam Follower 1 In. (Hi-Temp) (Self Lubricated) .....	1
22	01-112286	Door Handle – Inner (R20/RM20) .....	1
23	01-113209	Door Handle – Inner (R20/RM20) (Incls. Items 20, 21, & 22) .....	1
24	01-115007	Window – Tempered (3-Pane) .....	1
25	01-115009	Channel (Silicone) .....	13 Ft.
	01-110844	Hinge Set Assy. ....	1
	01-112155	Gasket – Door (Bottom Sweep) (Fiberglass) (R20) .....	1
	01-115809	Kit – Door Switch (R20) .....	1
	01-114600	Switch Assy. – Door (R20-99) .....	1
	01-205276	Switch – Snap Action Roller (Part of 01-114600) .....	1
	01-110860	Rod Assy. – Door Trigger .....	1
	01-115809	Kit – Door Switch Assy. ....	1
	01-112191	Shaft – Door Switch Trigger .....	1
	01-110063	Plate – Hinge Backing .....	1
	01-112162	Kit – Door Gasket (Circular) (R20) .....	1
	01-113245	Kit – Door Gasket (Circular) (R30) .....	1
	01-112151	Gasket – Door (Circular) (Side) (R20) .....	1
	01-112153	Gasket – Door (Circular) (Top) (R20) .....	1
	01-112317	Kit – Door Handle LHD (R20) (1987 thru 1997) .....	1
	01-112318	Kit – Door Handle RHD (R20) (1987 thru 1997) .....	1



SINGLE POINT EXHAUST FOR BAKING APPLICATIONS



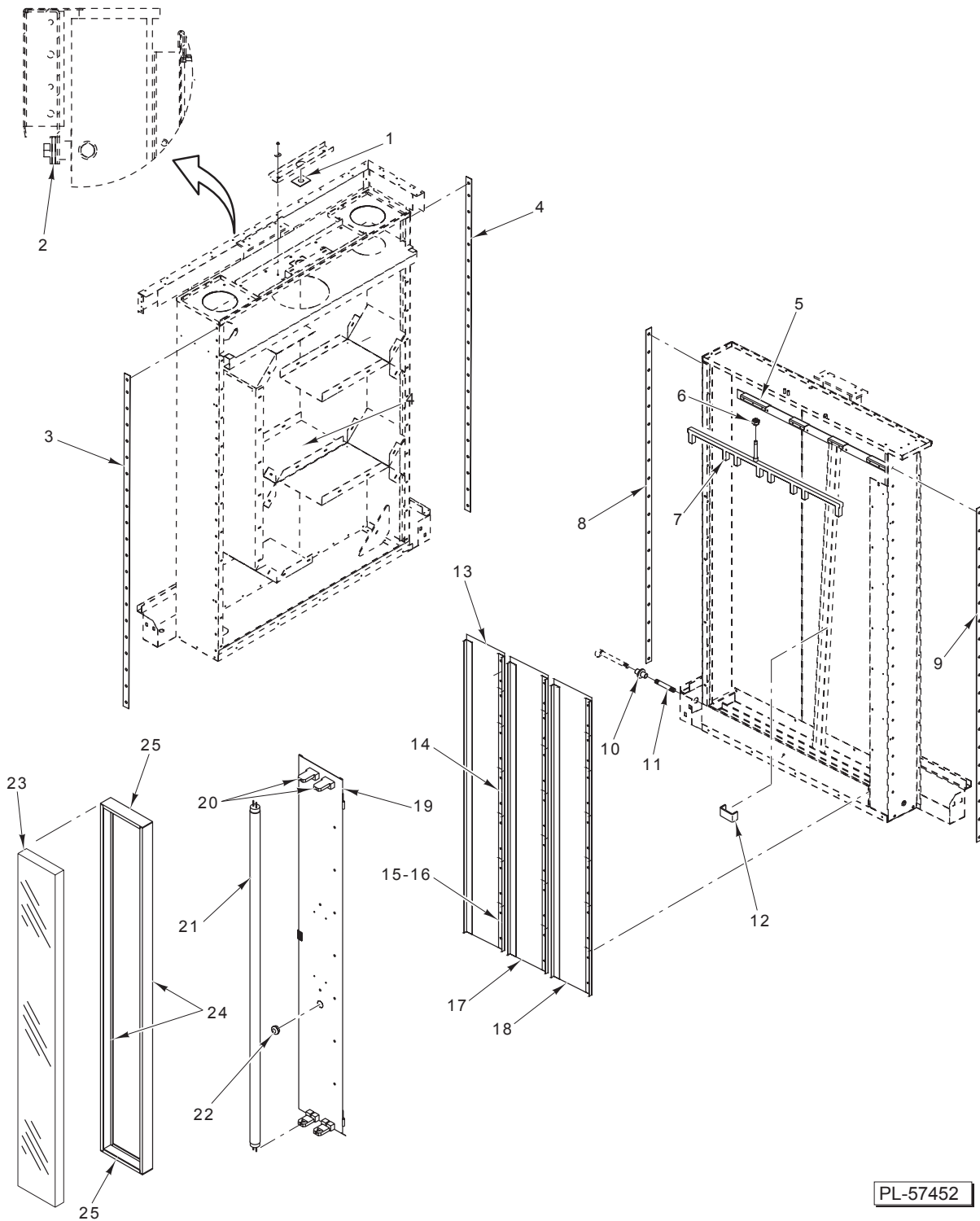
SINGLE POINT EXHAUST FOR ROASTING APPLICATIONS

PL-57451

**SINGLE POINT EXHAUST**

**SINGLE POINT EXHAUST**

ILLUS. PL-57451	PART NO.	NAME OF PART	AMT.
1	01-081740	Switch – Differential Pressure .....	1
2	01-111451	Stack Adapter – Header Vent (R20/RM20) .....	1
3	01-110501	Draft Diverter .....	1
4	01-114557	Stack Adapter 8.31 In. Dia. ....	1
5	01-112119	Stack Adapter 8.31 In. Dia. ....	1
6	01-081740	Switch – Differential Pressure .....	1

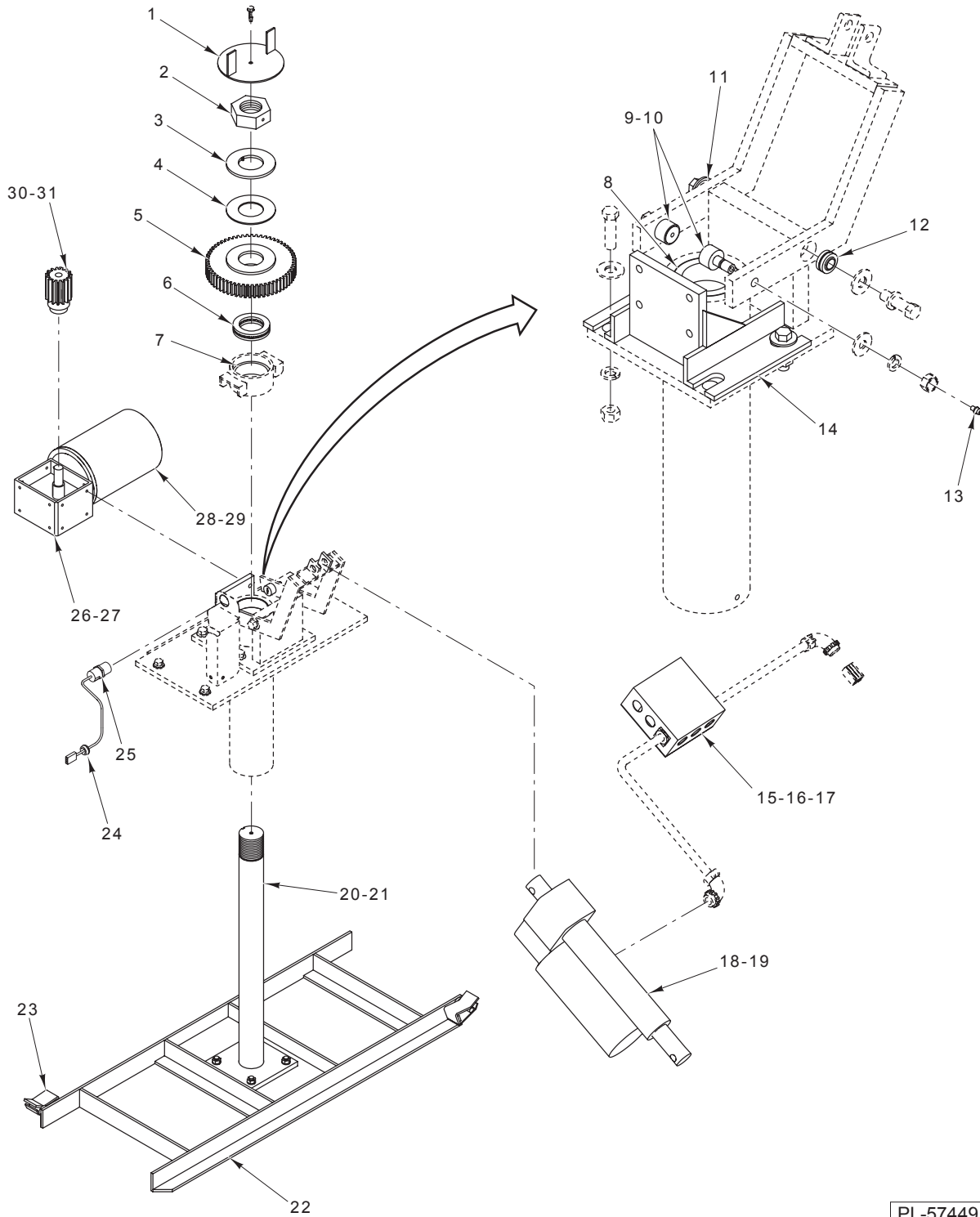


PL-57452

**CABINET AND LIGHT**

**CABINET AND LIGHT**

ILLUS.	PART NO.	NAME OF PART	AMT.
	PL-57452		
1	01-111315	Gasket – Circulation Fan (Silicone).....	1 Ft.
2	01-111163	Gasket – Heating Element .....	6
3	01-207153	Silicone Strip (LH) 1/8 x 1 1/2 (Gray) .....	7 Ft.
4	01-207153	Silicone Strip (RH) 1/8 x 1 1/2 (Gray) .....	7 Ft.
5	01-115505	Baffle – Support .....	1
6	01-205109	Union Pipe 1/4 In. (SST) .....	1
7	01-115503	Water Manifold Assy. ....	1
8	01-207153	Silicone Strip (LH) 1/8 x 1 1/2 (Gray) .....	7 Ft.
9	01-207153	Silicone Strip (RH) 1/8 x 1 1/2 (Gray) .....	7 Ft.
10	01-206074	Coupling Pipe 1/2 (SST) .....	1
11	01-110867	Drain Pipe (Weld.) – Steam Tray .....	1
12	01-600081	Clamp – Steam Channel Rebar .....	16
13	01-113813	Air Wall Assy. ....	3
14	01-110193	Angle – Air Flow (Common Center) .....	4
15	01-110572	Angle – Air Flow (Lower Left) .....	1
16	01-110585	Angle – Air Flow (Lower Right) .....	1
17	01-111075	Air Wall Assy. – Center (R20) .....	1
18	01-111074	Air Wall Assy. – Left & Right Center (R20) .....	1
19	01-113069	Door Assy. – Light Access .....	1
20	01-207016	Lampholder – Med Bipin .....	4
21	01-207063	Lamp – Fluorescent 72 In. (SHO, F72T12/LG# 13760) .....	2
22	01-065007	Bushing – Rodale x 1/2 In. ....	1
23	01-115008	Window – Tempered 2 Pane 5 In. x 44 In. ....	1
24	01-115022	Channel – Silicone 1.25 In. x 0.5 In. x 44 In. ....	2
25	01-115022	Channel – Silicone 1.25 In. x 0.5 In. x 5 In. ....	2
	01-111077	Air Wall Assy. – Rear Right (R20) .....	1
	01-112991	Support – Roof Header (R20) .....	1
	01-206909	Stud – Self Clinch 6-32 x 1 In. ....	12
	01-207125	Silicone Strip 1/8 x 1 (Gray) .....	1 Ft.
	01-110133	Silicone Strip 1/8 x 2 1/2 (Gray) .....	5 Ft.
	01-115713	Kit – Concrete Anchor (R20/30 & RM20/30) .....	1
	01-113759	Gauge – Air Wall (R20) .....	1

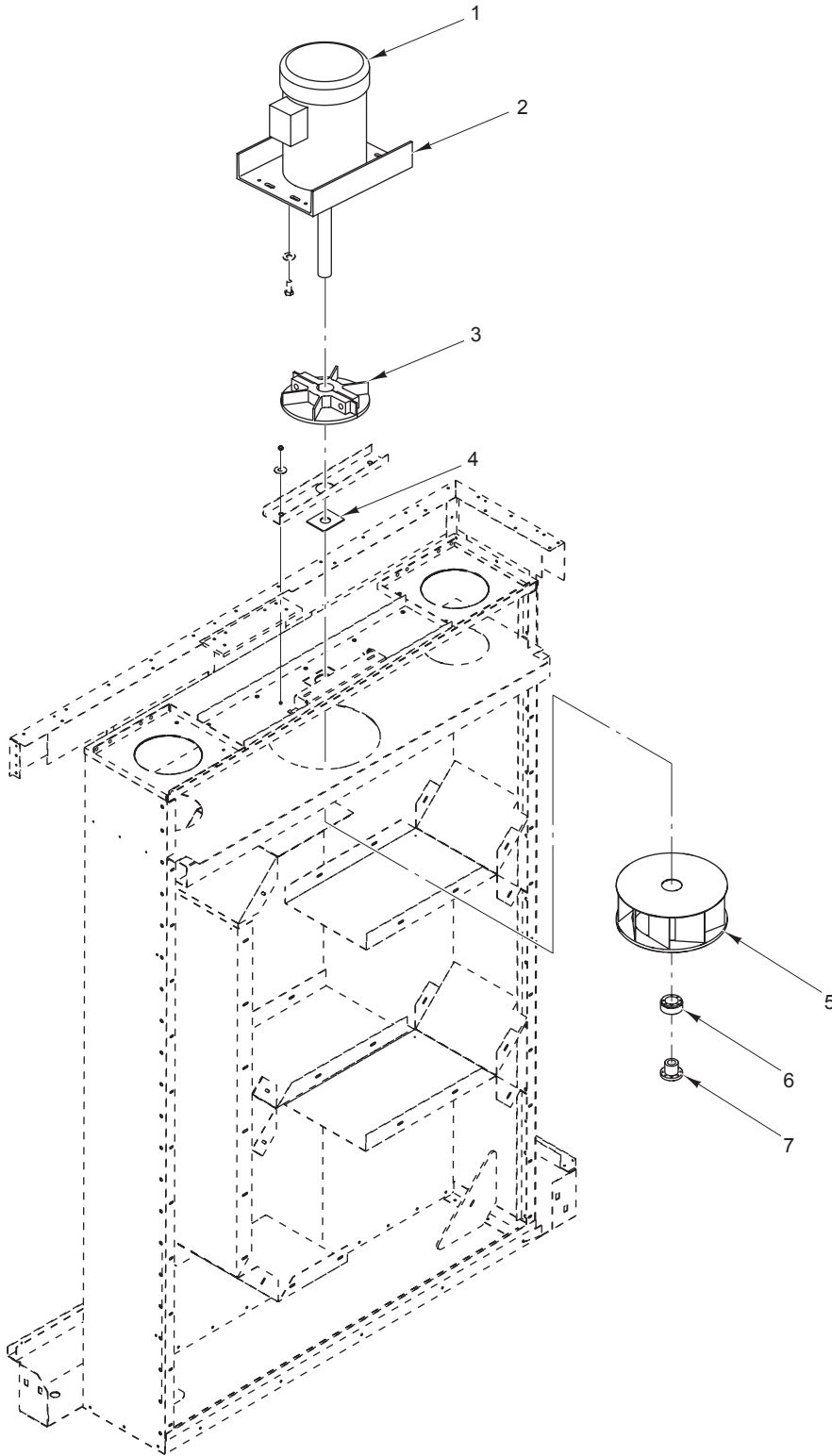


PL-57449

**LIFTER AND ROTATOR**

LIFTER AND ROTATOR

ILLUS. PL-57449	PART NO.	NAME OF PART	AMT.
1	01-114342	Dial Assy. – Rack Position .....	1
2	01-111676	Nut – Jam (Rack Lift Shaft) (R20) .....	1
3	01-111710	Plate – Clutch Pressure (W/Key) .....	1
4	01-110525	Disc – Fiber 4.5 In. O.D. x 2 In. I.D. ....	1
5	01-207266	Gear 60T (R20) .....	1
6	01-206199	Bearing – Thrust .....	1
7	01-110698	Bearing Assy. – Rack Shaft .....	1
8	01-206357	Bushing – Graphite (3.02 x 2.265 x 1 Lg.) (Used W/Mounting Plate Assy. 01-114152) .....	2
9	01-206976	Cam Follower 1 In. (Hi-Temp) .....	2
10	01-205660	Cam Follower 1 In. (Greased) (Shown) .....	2
11	01-207272	Bushing – Flange 1/2 x 5/8 x 1/4 .....	2
12	01-207272	Bushing – Flange 1/2 x 5/8 x 1/4 .....	2
13	01-205661	Grease Fitting – Drive Type .....	1
14	01-111693	Bracket Assy. – Adj. Gearbox (Rack Lift) .....	1
15	01-205774	J-Box 4 <sup>11</sup> / <sub>16</sub> In. Sq. x 2 <sup>1</sup> / <sub>4</sub> In. ....	1
16	01-205775	Cover – J-Box 4 <sup>11</sup> / <sub>16</sub> In. Sq. ....	1
17	01-206587	Capacitor (36-43 MFD W/Bracket) (Use with 01-115719) .....	1
18	01-206371	Actuator – Linear 6 In.(1997-1998) (Duff Norton SPA6415-6) (Shown) .....	1
19	01-115719	Kit – Rack Lift Actuator (R20G 1999-2001) (Replaces 01-207253) .....	1
20	01-114353	Shaft Assy. – Rack Lift (R20-99) .....	1
21	01-111150	Shaft Assy. – Rack Lift (R20) .....	1
22	01-114602	Rack Carriage Assy. – Plated .....	1
23	01-113071	Latch Assy. – Rack Carriage .....	2
24	01-065007	Bushing – Rondale (1/2) .....	1
25	01-206874	Sensor – Proximity (Rack Position Sensor) (Telemech) .....	1
26	01-071632	Gearbox (R/RM Series) .....	1
27	01-206707	Gearbox (100 to 1) Single Reduction (R Series Only) .....	1
28	01-206119	Motor – Gearbox Rack Oven (1/4 Hp., 1725 RPM) .....	1
29	01-207631	Motor W/Gearbox (R20) (Shown) .....	1
30	01-207265	Gear 15T (Nyoil) (Shown) .....	1
31	01-206516	Gear 15T 5/8 In. Bore .....	1
	01-110864	Bracket Assy. – Rack Align (R20) .....	1
	01-110220	Switch Limit – Rack Limit (Center and Door) .....	1
	01-110249	Lever – Limit Switch (C-H ESOKL201) .....	1
		Shoulder Bolt – Rack Carriage 5/16-18 x 3/8 x 1 <sup>1</sup> / <sub>4</sub> .....	2



PL-57448

**BLOWER**

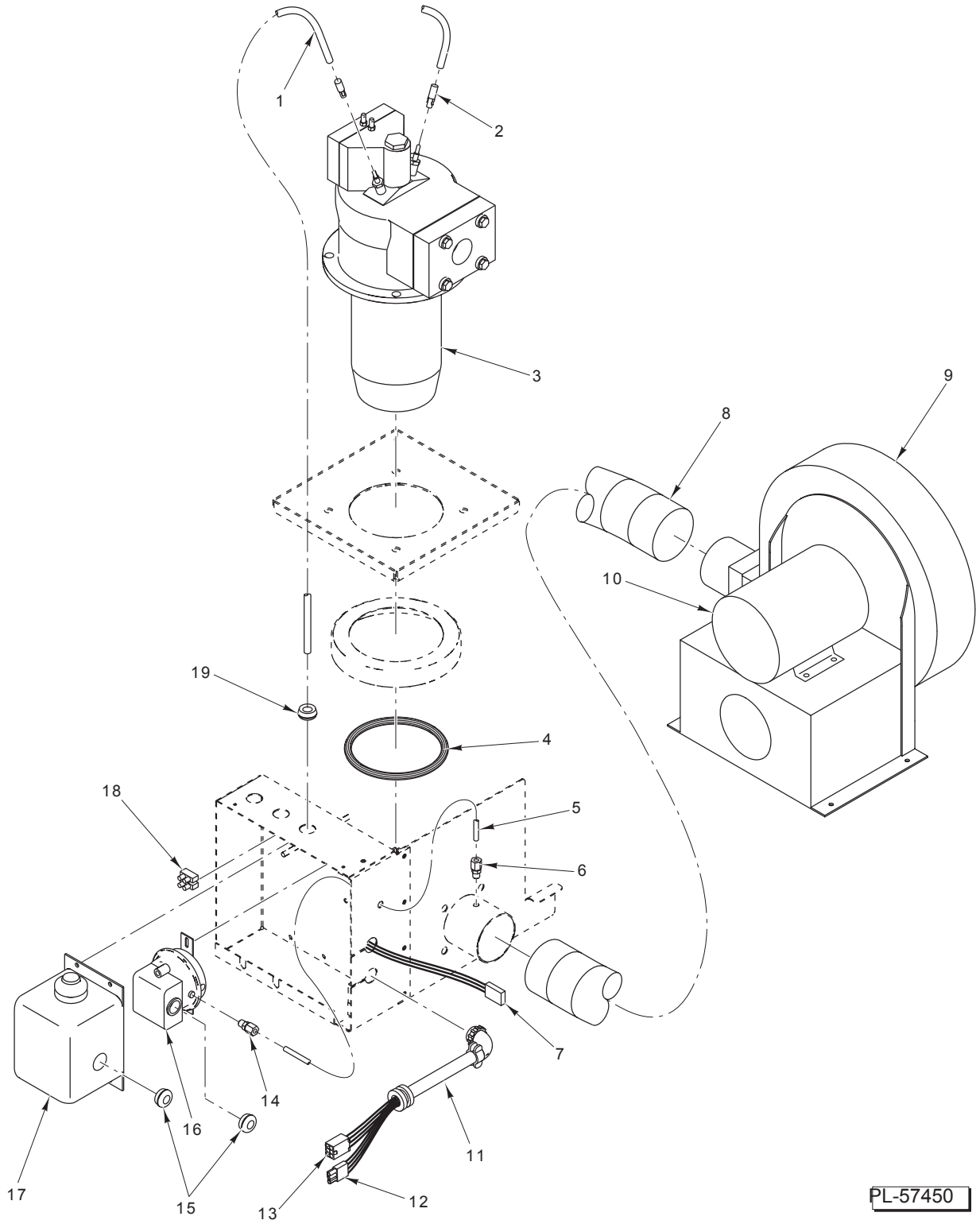
**BLOWER**

ILLUS.	PART NO.	NAME OF PART	AMT.
PL-57448			
1	01-207780	Motor – Circulation Fan (1½ Hp., 3 Ph.) (U.S. Motor) .....	1
2	01-111319	Channel – Circulation Fan Motor Mount .....	1
3	01-111667	Slinger – Heat 1.120 Dia. Hole .....	2
4	01-111315	Gasket – Circulation Fan (Silicone) .....	1
5	01-111278	Fan – Circulation 15 In. ....	1
6	01-206821	Hub – P1 Bushing .....	1
7	01-206820	Hub – Taper Lock Bushing .....	1
	01-206658	Insulation – Fiberglass Rope ½ In. ....	3.5 Ft.



## GAS TRAIN

ILLUS.	PART NO.	NAME OF PART	AMT.
	PL-57440		
1	01-206803	Regulator – Gas 1 In. (TJ50) (R20) .....	1
2	01-205146	Bushing – Hex Pipe 1 x 3/4 (TJ50) (R20) .....	1
3	01-205051	Pipe 3/4 x 1 1/2 (TJ50) (R20) .....	1
4	01-205628	Valve 3/4 In. Gas Shutoff W/Tap (TJ50) (R20) .....	1
5	01-205051	Pipe 3/4 x 1 1/2 (TJ50) (R20) .....	1
6	01-206018	Tee Pipe – Reducing 3/4 In. x 3/8 In. (TJ50) (R20) .....	1
7	01-205051	Pipe 3/4 x 1 1/2 (TJ50) (R20) .....	1
8	01-205628	Valve 3/4 In. Solenoid/Gas (TJ50) (R20) .....	1
9	01-205051	Pipe 3/4 x 1 1/2 (TJ50) (R20) .....	1
10	01-205867	Elbow – Street 3/4 x 90 Deg. (TJ50) (R20) .....	1
11	01-206018	Tee Pipe – Reducing 3/4 In. x 3/8 In. (TJ50) (R20) .....	1
12	01-205051	Pipe 3/4 x 1 1/2 (TJ50) (R20) .....	1
13	01-205052	Union – Pipe 3/4 (TJ50) (R20) .....	1
14	01-205867	Elbow – Street 3/4 x 90 Deg. (TJ50) (R20) .....	1
15	01-205051	Pipe 3/4 x 1 1/2 (TJ50) (R20) .....	1
16	01-205146	Bushing – Hex Pipe 1 x 3/4 (TJ50) (R20) .....	1
17	01-206035	Pipe 3/8 (TJ50) (R20) .....	1
18	01-081718	Valve 3/8 Solenoid/Gas (TJ50) (R20) .....	1
19	01-220100	Tube (Alum.) 1/4 In. Dia. x 8 In. Lg. (TJ50) (R20) .....	1
20	01-206803	Regulator – Gas 1 In. (R/RM HP) (TJ50/TJ100) .....	1
21	01-205802	Pipe 1 x 1 1/2 (R/RM HP) (TJ50/TJ100) .....	1
22	01-205802	Pipe 1 x 1 1/2 (R/RM HP) (TJ50/TJ100) .....	1
23	01-206017	Tee Pipe – Reducing 3/4 In. x 3/8 In. (R/RM HP) (TJ50/TJ100) .....	1
24	01-205802	Pipe 1 x 1 1/2 (R/RM HP) (TJ50/TJ100) .....	1
25	01-081092	Valve 1 In. Solenoid/Gas (R/RM HP) (TJ50/TJ100) .....	1
26	01-205802	Pipe 1 x 1 1/2 (R/RM HP) (TJ50/TJ100) .....	1
27	01-206060	Elbow – Pipe 1 In. (R/RM HP) (TJ50/TJ100) .....	1
28	01-205802	Pipe 1 x 1 1/2 (R/RM HP) (TJ50/TJ100) .....	1
29	01-206017	Tee Pipe – Reducing 3/4 In. x 3/8 In. (R/RM HP) (TJ50/TJ100) .....	1
30	01-205146	Bushing – Hex Pipe 1 x 3/4 (R/RM HP) (TJ50/TJ100) .....	1
31	01-205051	Pipe 3/4 x 1 1/2 (R/RM HP) (TJ50/TJ100) .....	1
32	01-205052	Union – Pipe 3/4 (R/RM HP) (TJ50/TJ100) .....	1
33	01-205867	Elbow – Street 3/4 x 90 Deg. (R/RM HP) (TJ50/TJ100) .....	1
34	01-205051	Pipe 3/4 x 1 1/2 (R/RM HP) (TJ50/TJ100) .....	1
35	01-205146	Bushing – Hex Pipe 1 x 3/4 (R/RM HP) (TJ50) .....	1
36	01-206737	Bushing – Hex Pipe 1 1/2 x 3/4 (R/RM HP) (TJ100) .....	1
37	01-206035	Pipe 3/8 (R/RM HP) (TJ50/TJ100) .....	1
38	01-081718	Valve 3/8 Solenoid/Gas (R/RM HP) (TJ50/TJ100) .....	1
39	01-220100	Tube (Alum.) 1/4 In. Dia. x 8 In. Lg. (R/RM HP) (TJ50/TJ100) .....	1
	01-113042	Gas Train Assy. (R/RM HP) (TJ100) .....	1

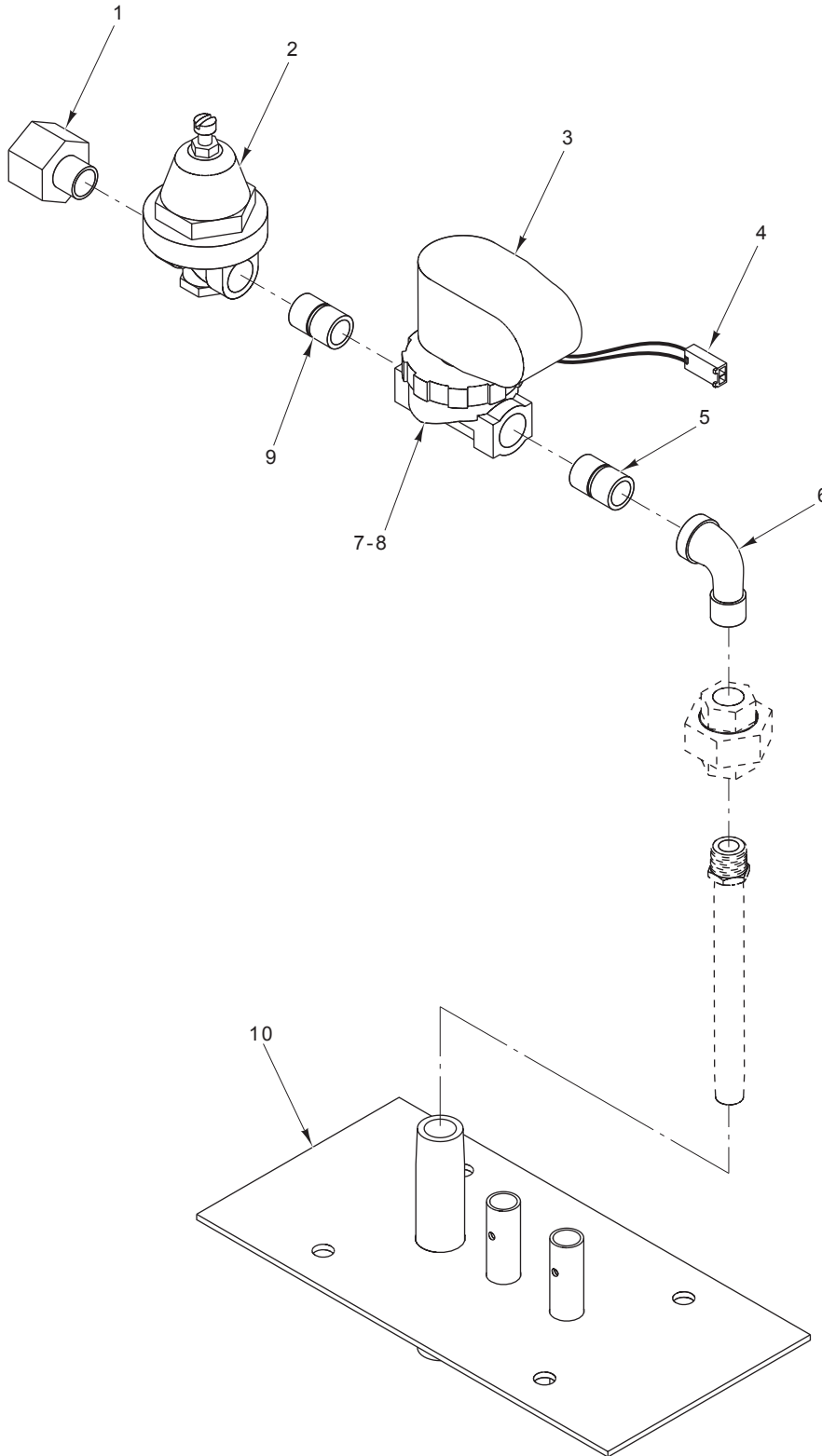


PL-57450

**GAS BURNER AND BLOWER**

**GAS BURNER AND BLOWER**

ILLUS. PL-57450	PART NO.	NAME OF PART	AMT.
1	01-205979	Wire – Ignition (Red Silicone) .....	1 Ft.
2	01-081945	Terminal – Ignition #WW-SS .....	2
3	01-207787	Burner – Eclipse (TJ50) .....	1
4	01-207149	Gasket – Fiberglass Rope 3/8 In. Braid .....	2 Ft.
5	01-220100	Tube – Aluminum Rd. 1/4 In. ....	2 Ft.
6	01-205831	Connector – Male 1/8P x 1/4T .....	1
7	01-206764	Plug – Connector (3-Pin) .....	1
8	01-206900	Hose 3 In. Duct (Flexible Alum.) .....	4 Ft.
9	01-207002	Fan Assy. – ThermJet Burner (R20/R30) (Motor & Impeller) .....	1
10	01-070771	Motor – Burner Blower (Dayton) .....	1
11	01-113087	Wire/Conduit Assy. – Burner (Honeywell) .....	1
12	01-206763	Receptacle – Connector (3-Pin) .....	1
13	01-206766	Plug – Connector (6-Pin) .....	1
14	01-205831	Connector – Male 1/8P x 1/4T .....	2
15	01-065007	Bushing – Rondale x 1/2 .....	2
16	01-081740	Switch – Differential Pressure (SMD) .....	1
17	01-207802	Transformer – Ignition (#WW-SS) .....	1
18	01-205204	Terminal Block – Tubular .....	1
19	01-065007	Bushing – Rondale x 1/2 .....	1
	01-115020	Orifice (Eclipse) Std. LP .....	1
	01-113081	Hose – Burner Fan (Dayton) .....	1
	01-115422	Sensor – Flame .....	1
	01-113576	Bracket – Burner Position .....	1
	01-207127	Ignitor Assy. (Burner w/Combustion Fan & Flexible Hose) .....	1

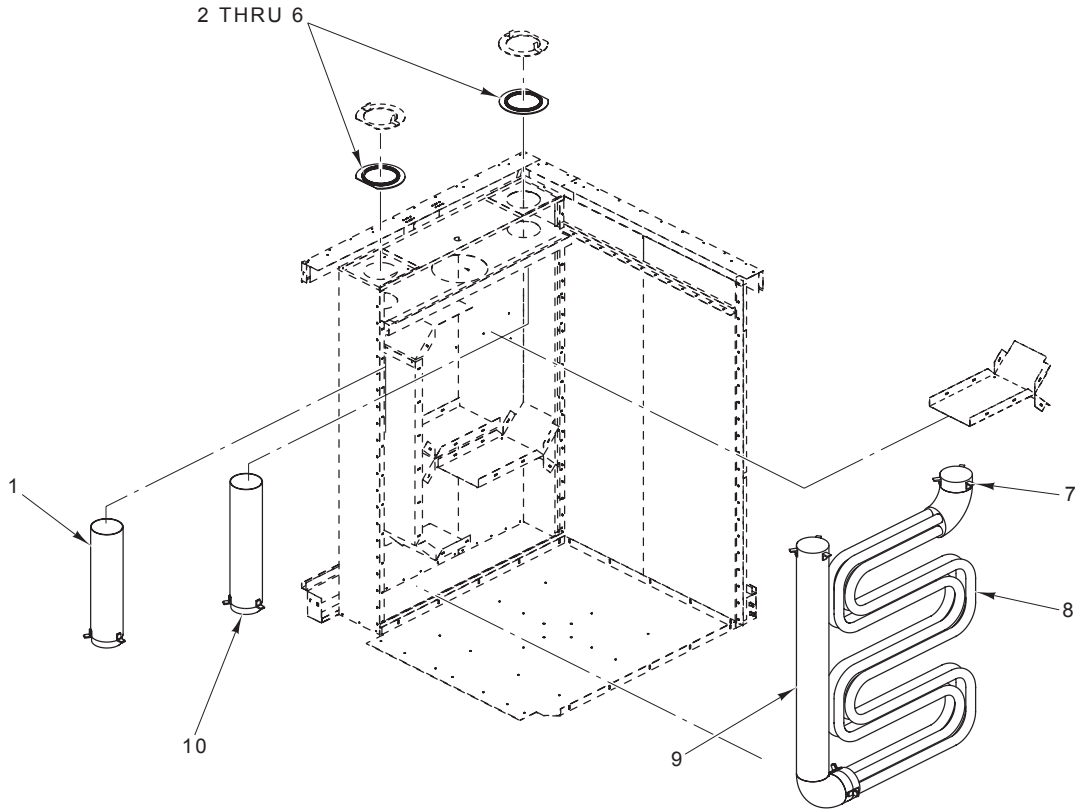


PL-57454

**WATER SUPPLY**

**WATER SUPPLY**

ILLUS.	PART NO.	NAME OF PART	AMT.
PL-57454			
1	01-206931	Reducer – Pipe $\frac{3}{8}$ to $\frac{1}{2}$ (Brass) .....	1
2	01-205683	Regulator – Water $\frac{3}{8}$ In. ....	1
3	01-205684	Coil – Water Solenoid .....	1
4	01-206762	Plug (2-Pin) .....	1
5	01-205924	Nipple – Pipe $\frac{3}{8}$ x CL (Brass) .....	1
6	01-206075	Elbow – Street $\frac{3}{8}$ In. 90 Deg. (SS) .....	1
7	01-205685	Valve $\frac{3}{8}$ In. Water Solenoid (W/O Coil) .....	1
8	01-206416	Valve $\frac{3}{8}$ In. Water Solenoid (W/Coil) .....	1
9	01-205924	Nipple – Pipe $\frac{3}{8}$ x CL (Brass) .....	1
10	01-113066	Pipe Assy. – Water (Ceiling) .....	1
	01-111656	Pipe Ext. Assy. – Ceiling Water .....	1



PL-57441

**HEAT EXCHANGER**

ILLUS.	PART NO.	NAME OF PART	AMT.
1	01-112349	Pipe – Burner Stack Side (Weldment) (SST)	1
2	01-112917	Kit – Seal Assy. (Ceiling) (Incls. Items 3 thru 6)	1
3	01-110035	Plate – Seal	2
4	01-207133	Gasket 1/4 In. (Fiber Frax)	4
5	01-206658	Gasket 1/2 In. (Fiberglass Rope) 22 In.	2
6	01-207148	Adhesive/Sealant (2300 Deg.)	AR
7	01-111927	Tube – Clamp Angle	1
8	01-115449	Tube – Serpentine Pipe (Order with Item 7)	1
9	01-112346	Tube – Combustion Pipe Weld.	1
10	01-112340	Tube – Heat Exchanger Exhaust – Stack	1
	01-111942	Support – Ceiling (R20, Left & Right)	1
	01-113831	Kit – Fastener	1