



CATALOG OF REPLACEMENT PARTS



SALAD DRYER

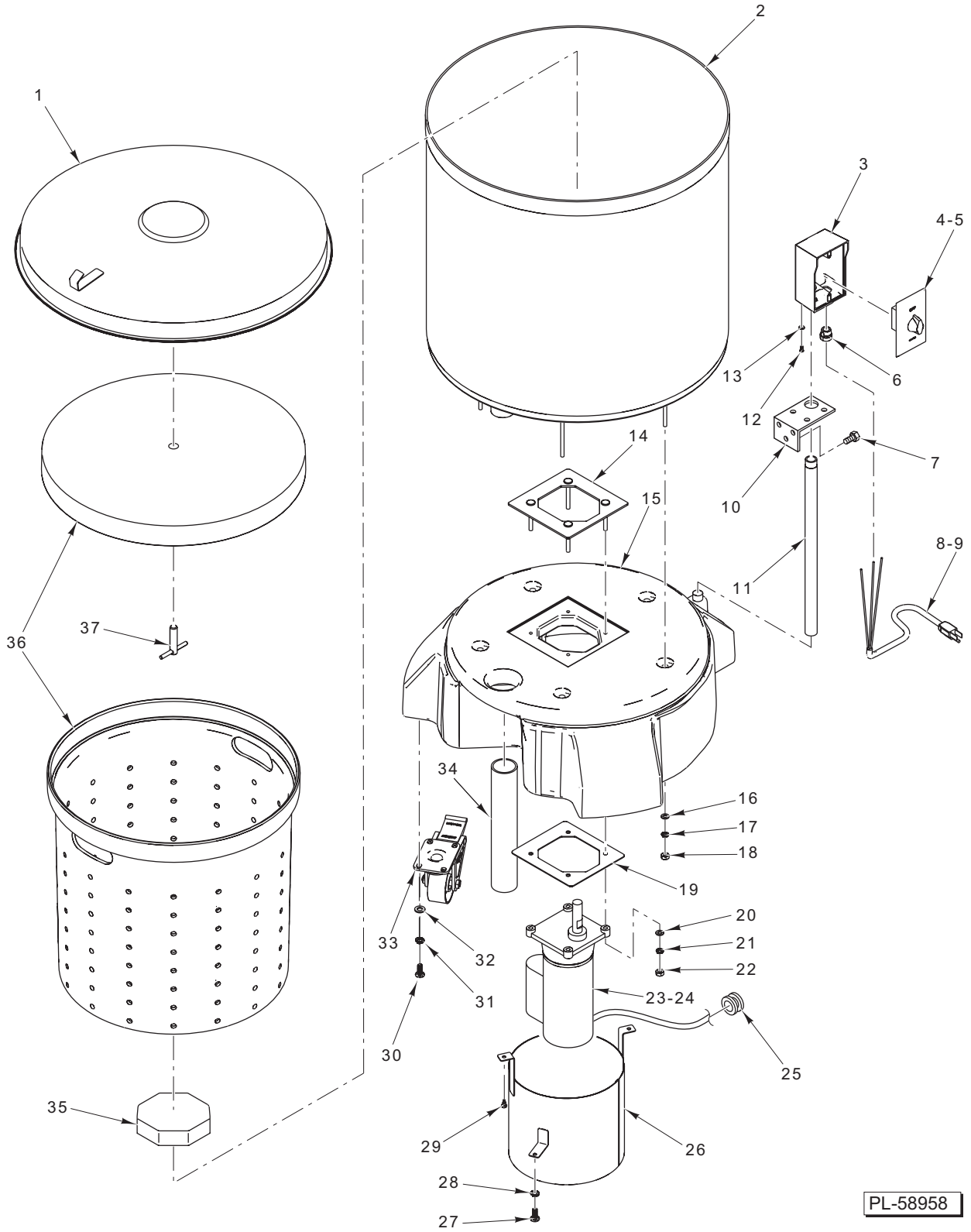
SDPE
SDPS

ML-139107
ML-139108

TABLE OF CONTENTS

5	SDPE SALAD DRYER
7	SDPS SALAD DRYER

SALAD DRYER REPLACEMENT PARTS



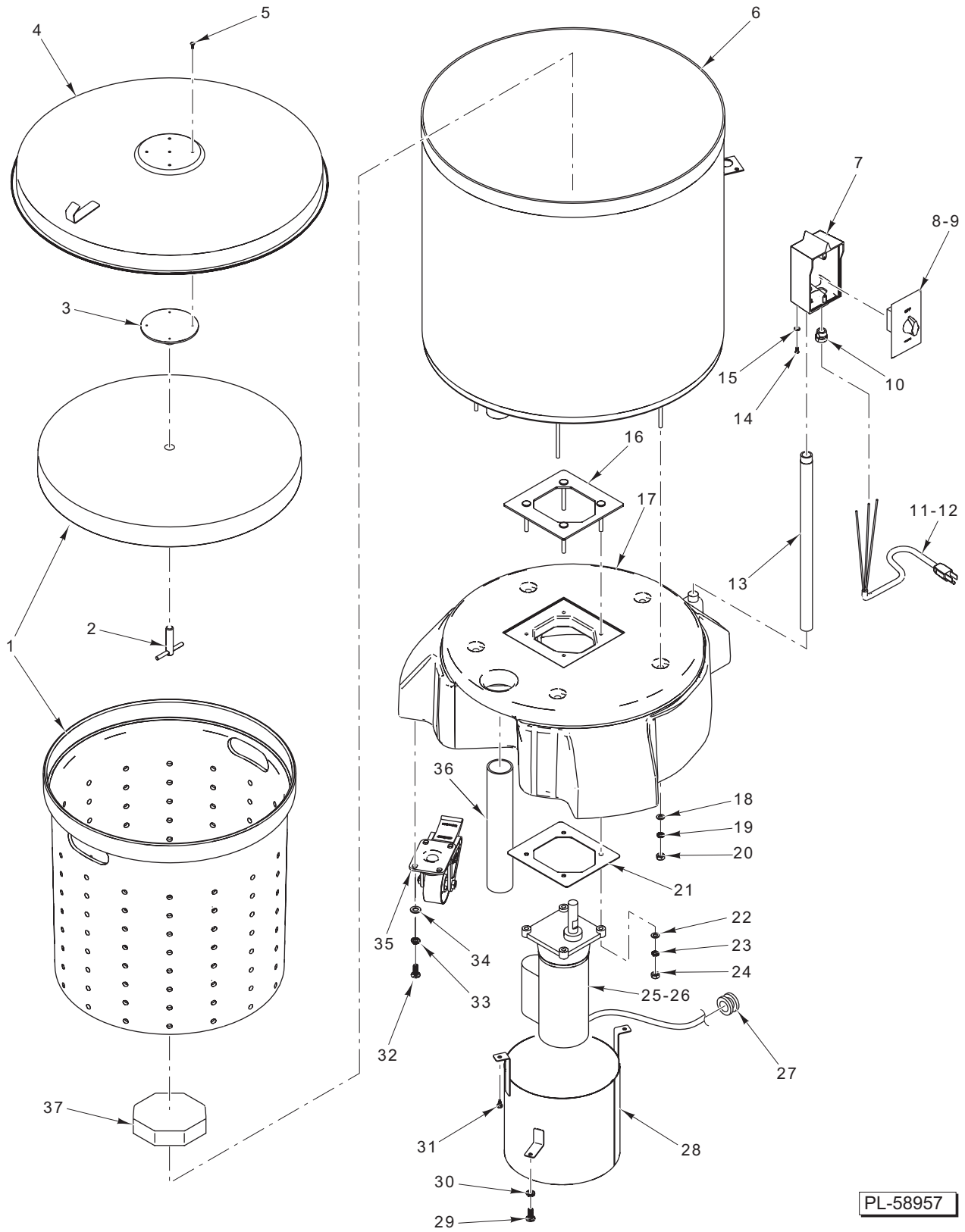
PL-58958

SDPE SALAD DRYER

SDPE SALAD DRYER

ILLUS. PL-58958	PART NO.	NAME OF PART	AMT.
1	01-505001-000PE	Lid – Outer Polyethylene (With Hook)	1
2	01-505011-000PE	Tub – Polyethylene	1
3	01-505034-000PL	Box – Electrical Timer	1
4	01-505037-000PE	Timer Intermatic (Incls. Knob).....	1
5	01-505037-0000C	Cover – Timer	1
6	01-505036-000PE	Bushing – Cable Relief	1
7	01-505034-0000A	Mach. Screw Phil. Pan Hd.	3
8	01-505039-000PE	Cord – Power Supply (115 V.).....	1
9	01-505039-000PEA	Cord – Power Supply (230 V.)	1
10	01-505014-000PE	Bracket.....	1
11	01-505029-000PE	Pipe – Electrical Conduit.....	1
12	01-505043-000PS	Mach. Screw 8-18 Hex Hd.	3
13	01-505011-0000A	Washer.....	3
14	01-505017-000PE	Mount –Top Motor.....	1
15	01-915052	Base – Polyethylene (Grey).....	1
16	01-505044-000PS	Washer.....	10
17	01-505012-00001	Lockwasher.....	5
18	01-505012-00002	Nut	5
19	01-505017-000PE	Plate – Motor Mount Bottom.....	1
20	01-505044-000PS	Washer.....	8
21	01-505012-00003	Lockwasher.....	4
22	01-505012-00002	Nut	4
23	01-505026-000PE	Motor – Gear (115 V., 60 Hz., 1 Ph.).....	1
24	01-505026-000PEA	Motor – Gear (230 V., 60 Hz., 1 Ph.)	1
25	01-505028-000PE	Grommet – Rubber.....	1
26	01-505022-000PE	Splash Guard – Motor.....	1
27	01-505012-00004	Mach. Screw Hex Hd.	1
28	01-505012-00003	Washer.....	1
29	01-505034-0000A	Mach. Screw Phil. Pan Hd.	2
30	01-505043-000PS	Mach. Screw 8-18 Hex Hd.	4
31	01-505012-00003	Lockwasher.....	4
32	01-505011-0000A	Washer.....	8
33	01-505042-000PE	Caster	3
34	01-505013-0000A	Drain – Pipe Extension Hose.....	1
35	01-505027-000PE	Driver – Octagonal.....	1
36	01-505009-000PS	Basket – Dryer (Incls. Lid)	1
37	01-505006-000PE	T-Handle Assy.	1

SALAD DRYER REPLACEMENT PARTS



PL-58957

SDPS SALAD DRYER

SDPS SALAD DRYER

ILLUS. PL-58957	PART NO.	NAME OF PART	AMT.
1	01-505009-000PS	Basket – Dryer (Incls. Lid)	1
2	01-505006-000PE	T-Handle Assy.	1
3	01-505005-000PS	Mount –Bearing	1
4	01-505000-000PS	Lid – Complete Assy. (SST) (With Hook) (Incls. Items 3 & 5)	1
5	01-505004	Screw Slotted Pan Hd.	4
6	01-505011-000PS	Shell – Drum (SST).....	1
7	01-505034-000PS	Timer Box – Electrical	1
8	01-505037-000PE	Timer – Intermatic (Incls. Knob).....	1
9	01-505037-0000C	Cover – Timer	1
10	01-505036-000PE	Bushing – Cable Relief	1
11	01-505039-000PE	Cord – Power Supply (115 V.).....	1
12	01-505039-00PEA	Cord – Power Supply (230 V.)	1
13	01-505029-000PS	Conduit – Electrical Pipe.....	1
14	01-505043-000PS	Mach. Screw 18-8 Hex Hd.	3
15	01-505011-0000A	Washer.....	3
16	01-505017-000PE	Mount – Top Motor.....	1
17	01-915052	Base – Polyethylene (Grey).....	1
18	01-505044-000PS	Washer.....	10
19	01-505012-00001	Lockwasher.....	5
20	01-505012-00002	Nut	5
21	01-505017-00BPE	Plate – Motor Mount Bottom.....	1
22	01-505044-000PS	Washer.....	8
23	01-505012-00003	Lockwasher.....	4
24	01-505012-00002	Nut	4
25	01-505026-000PE	Motor – Gear (115 V., 60 Hz., 1 Ph.).....	1
26	01-505026-00PEA	Motor – Gear (230 V., 60 Hz., 1 Ph.)	1
27	01-505028-000PE	Grommet – Rubber.....	1
28	01-505022-000PE	Splash Guard – Motor.....	1
29	01-505012-00004	Mach. Screw Hex Hd.	1
30	01-505012-00003	Lockwasher.....	1
31	01-505034-0000A	Mach. Screw Phil. Pan Hd.	2
32	01-505043-000PS	Screw.....	4
33	01-505012-00003	Lockwasher.....	4
34	01-505011-0000A	Washer.....	8
35	01-505042-000PE	Caster	3
36	01-505013-0000A	Drain – Pipe Extension Hose.....	1
37	01-505027-000PE	Driver – Octagonal.....	1

