



# CATALOG OF REPLACEMENT PARTS

## TURBOWASH II

TURBOWASH II      ML-110971

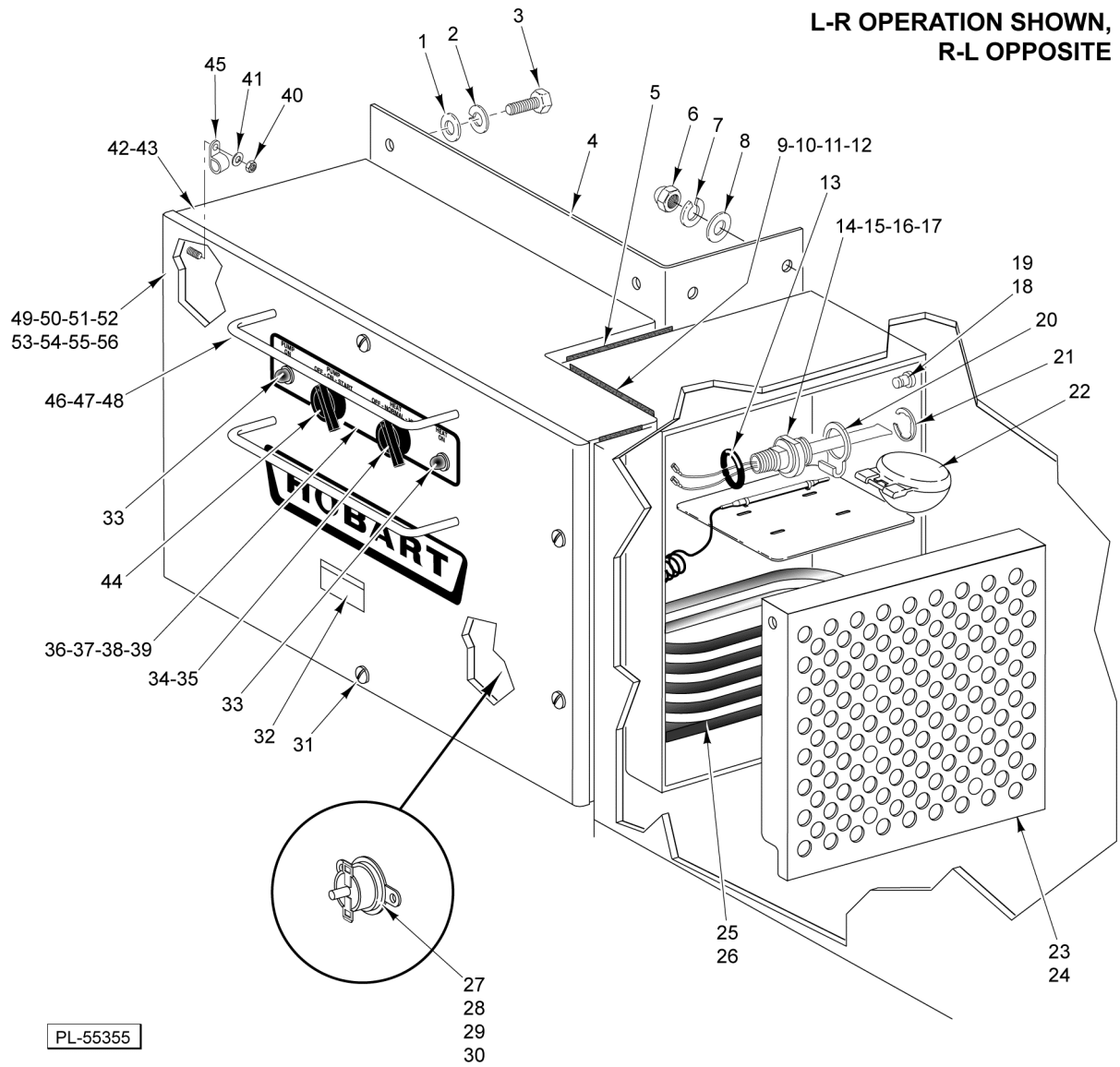




---

### Table of Contents

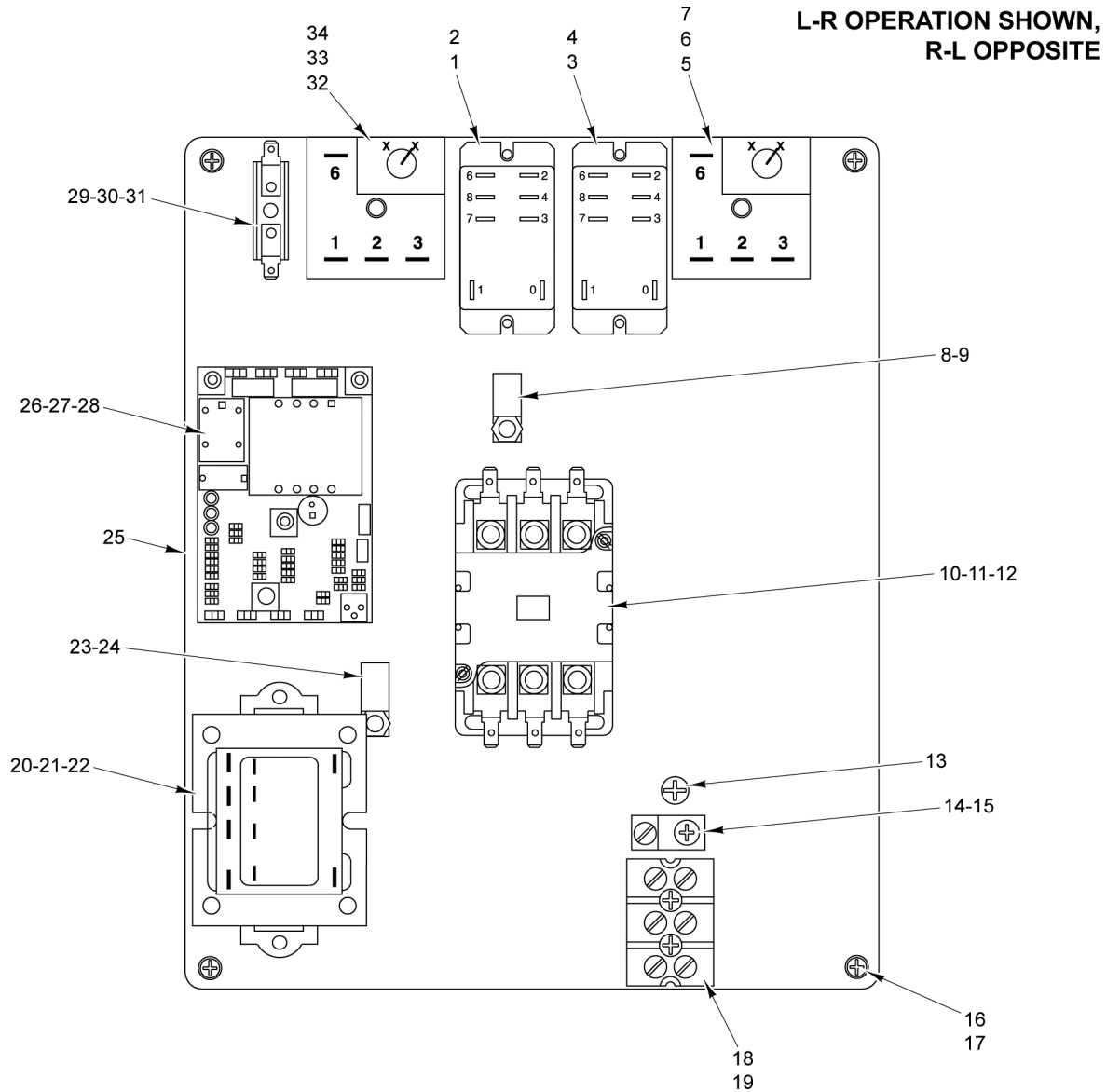
5	CONTROL BOX (WITHOUT DISPOSER)
7	BASE PLATE (WITHOUT DISPOSER)
9	CONTROL BOX (WITH DISPOSER)
13	BASE PLATE (WITH DISPOSER) (1 PH.)
15	BASE PLATE (WITH DISPOSER) (3 PH.)
17	CONTROL BOX (WITH INVERTER)
19	BASE PLATE (WITH INVERTER)
21	AUTO FILL PIPING
23	PIPING SWIRL DISPOSER (SCRAPPER UNIT)
25	PIPING SWIRL DISPOSER (CONE UNIT)
27	PUMP & MOTOR (BEFORE S/N 231141531)
29	PUMP & MOTOR (FIR) (AFTER S/N 231141531 OR S/N EW17008)
31	DRAIN (FREE-FLOW)
33	DRAIN UNIT WITHOUT OVERFLOW (KFC)
35	DRAIN UNIT WITHOUT OVERFLOW
37	DRAIN WITH OVERFLOW (HOBART)
39	PRE RINSE SPRAYER (1/2 IN.) (KFC)
41	PRE RINSE SPRAYER (1/2 IN.) (HOBART) (FISHER MFG)
43	PRE RINSE SPRAYER (1/2 IN.) (HOBART) (COMPONENT HARDWARE GROUP)
45	MIXING FAUCET (3/4 IN.) (HOBART) (FISHER MFG)
47	MIXING FAUCET (3/4 IN.) (HOBART) (COMPONENT HARDWARE GROUP)
49	MIXING FAUCET (1/2 IN.) (HOBART)
51	ADD ON MIXING FAUCET (1/2 IN.) (KFC)
53	MISCELLANEOUS
55	BASKETS AND STRAINERS



**CONTROL BOX  
(WITHOUT DISPOSER)**

## CONTROL BOX (WITHOUT DISPOSER)

ILLUS. PL-55355	PART NO.	NAME OF PART	AMT.
1	WS-017-06	Washer (SST).....	4
2	WL-006-17	Lockwasher 1/4 Helical (SST).....	4
3	SC-041-50	Cap Screw 1/4-20 x 1/2 Hex Hd. (SST).....	4
4	00-749744	Bracket - Mounting.....	1
5	00-475402	Gasket - Control Box Lid (Incls. Hardware).....	1
6	NS-025-09	Crown Nut 5/16-18 (SST).....	4
7	WL-006-23	Lockwasher 5/16 Helical (SST).....	4
8	WS-017-01	Washer 0.328 x 0.875 x 0.062 (SST).....	4
9	00-545193	Gasket (Between Control Box and Wash Tank).....	AR
10	WS-017-06	Washer (SST).....	6
11	WL-006-17	Lockwasher 1/4 Helical (SST).....	6
12	NS-015-01	Nut 1/4-20 Hex (SST).....	6
13	00-067500-00072	O-Ring.....	1
14	WS-010-40	Washer - Thrust.....	2
15	WL-014-31	Lockwasher 1/2 External Shakeproof (SST).....	1
16	NS-018-28	Jam Nut 1/2-20 Hex (SST).....	1
17	00-271621	Switch & Probe Assy. (4-Wire) (Long).....	1
18	00-748480	Pin - Pivot.....	1
19	RR-010-12	Retaining Ring.....	1
20	00-112467	Retainer - Float.....	1
21	RR-010-13	Retaining Ring.....	1
22	00-122674	Float Assy.....	1
23	00-749787-00001	Strainer - Heater (L-R).....	1
24	00-749787-00002	Strainer - Heater (R-L).....	1
25	00-749718-00001	Heater Assy. (208-240/60/1) (208-240/60/3) (Incls. Hardware).....	1
26	00-749718-00002	Heater Assy. (480/60/3) (Incls. Hardware).....	1
27	00-475320	Kit - Temperature Control (Incls. Items 28, 29, & 30).....	1
28	00-475967	Bracket - High Limit.....	1
29	WL-006-07	Lockwasher #10 Helical (SST).....	2
30	NS-011-18	Nut 10-24 Hex (SST).....	2
31	SC-053-02	Mach. Screw 10-24 x 1/2 Slotted Truss Hd. (SST).....	4
32	00-438131-00033	Label - Disconnect (English).....	1
33	00-294700-013-1	Indicator Light (Amber) (Incls. Hardware).....	2
34	00-087711-00333	Switch Assy. (3-Position) (Maintained) (Heater and/or Fill) (Incls. Hardware).....	1
35	00-087711-00331	Switch Assy. (Fill) (2-Position) (Incls. Hardware).....	1
36	00-749740	Panel - Trim (For Control Box with Heater & Timer).....	1
37	00-749747	Panel - Trim (For Control Box with Timer Only).....	1
38	00-749748	Panel - Trim (For Control Box with Fill and Timer).....	1
39	00-749749	Panel - Trim (For Control Box with Fill, Heater, and Timer).....	1
40	NS-031-15	Stop Nut 10-24 Hex (SST).....	1
41	WS-019-06	Washer.....	1
42	00-749719	Box - Control (L-R) (Shown).....	1
43	00-749733	Box - Control (R-L).....	1
44	00-087711-00332	Switch Assy. Pump (3-Position) (Spring Return) (Incls. Hardware).....	1
45	00-294677-00002	Clamp - Wire (1/2 I.D.).....	1
46	00-475408	Guard - Switch.....	2
47	SC-021-08	Mach. Screw 6-32 x 3/8 Slotted Rd. Hd. (SST).....	4
48	WL-006-42	Lockwasher #6 Medium.....	4
49	00-749721-00001	Lid - Hinge (L-R) (2 Button/2 Light).....	1
50	00-749721-00002	Lid - Hinge (L-R) (1 Button/1 Light).....	1
51	00-749735-00001	Lid - Hinge (R-L) (2 Button/2 Light).....	1
52	00-749735-00002	Lid - Hinge (R-L) (1 Button/1 Light).....	1
53	SC-053-02	Mach. Screw 10-24 x 1/2 Slotted Truss Hd. (SST).....	4
54	00-475370-00002	Hinge - Lift Off (Top Without Pin).....	1
55	00-475370-00005	Hinge - Lift Off (Bottom Without Pin).....	1
56	00-526408	Tape - Foam.....	AR

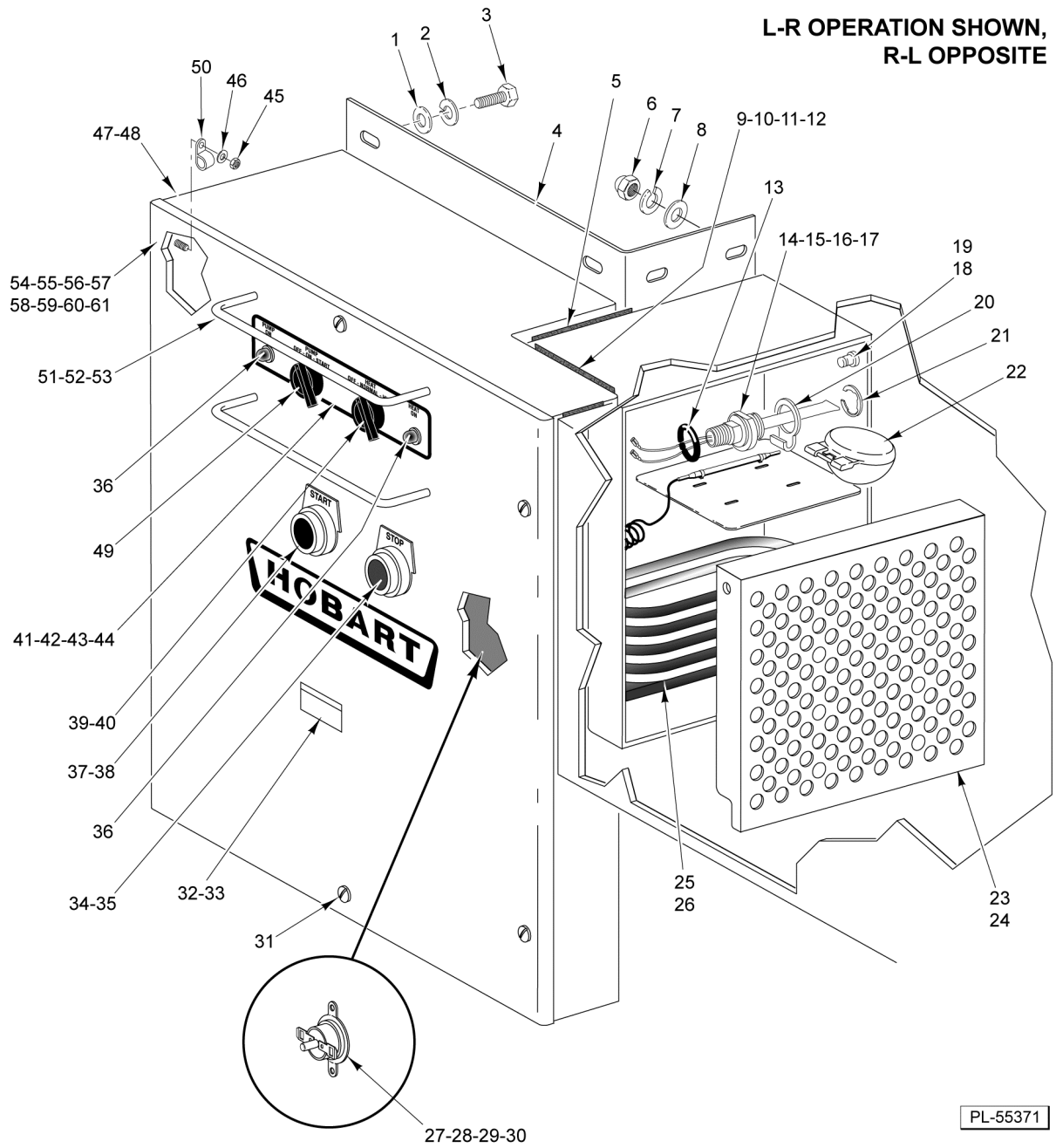


PL-55356

**BASE PLATE  
(WITHOUT DISPOSER)**

**BASE PLATE  
(WITHOUT DISPOSER)**

ILLUS. PL-55356	PART NO.	NAME OF PART	AMT.
1	00-087714-046-1	Relay (2-Pole) (30 Amp.).....	1
2	SD-008-18	Self-Tapping Screw 8-18 x 3/8 Phil. Bndg. Hd., Type B.....	2
3	00-087714-046-1	Relay (2-Pole) (30 Amp.) (Heat Only).....	1
4	SD-008-18	Self-Tapping Screw 8-18 x 3/8 Phil. Bndg. Hd., Type B.....	2
5	00-087714-057-1	Relay - Time Delay (Auto-Fill).....	1
6	SD-036-13	Self-Tapping Screw 1/4-20 x 1-1/4 Hex Washer Hd., Type T.....	1
7	00-437070-00007	Module - Plug-On (Auto-Fill).....	1
8	00-294677-00003	Clamp - Wire (3/4 I.D.).....	1
9	SD-008-25	Self-Tapping Screw 10-16 x 1/2 Phil. Pan Hd., Type B.....	1
10	00-087713-040-2	Contactactor (30 Amp., 3-Pole) (With Auto Timer).....	1
11	00-087713-039-2	Contactactor (30 Amp., 3-Pole) (Without Auto Timer).....	1
12	SD-008-25	Self-Tapping Screw 10-16 x 1/2 Phil. Pan Hd., Type B.....	2
13	SD-034-59	Self-Tapping Screw 10-32 x 3/8 Phil. Pan Hd., Type T (Transformer Ground).....	1
14	00-118544-00001	Lug - Solderless.....	1
15	SD-034-59	Self-Tapping Screw 10-32 x 3/8 Phil. Pan Hd., Type T.....	1
16	SC-066-05	Mach. Screw 10-24 x 3/8 Phil. Truss Hd. (SST).....	4
17	WL-014-07	Lockwasher #10 External Shakeproof (SST).....	4
18	00-111995	Block - Terminal.....	1
19	SD-019-26	Self-Tapping Screw 8-18 x 1-1/4 Phil. Rd. Hd., Type B.....	2
20	00-294500-00033	Transformer - (60 VAC, 50/60 Hz.).....	1
21	WL-014-07	Lockwasher #10 External Shakeproof (SST).....	2
22	SD-008-25	Self-Tapping Screw 10-16 x 1/2 Phil. Pan Hd., Type B.....	2
23	00-294677-00002	Clamp - Wire (1/2 I.D.).....	1
24	SD-008-25	Self-Tapping Screw 10-16 x 1/2 Phil. Pan Hd., Type B.....	1
25	00-749738	Plate - Base Control Box.....	1
26	00-475458-00002	Board and Temp Control (110 Deg. F or 140 Deg. F).....	1
27	00-476653	Spacer - Circuit Board.....	4
28	SD-038-02	Self-Tapping Screw 6-20 x 5/8 Phil. Pan Hd., Type B.....	3
29	00-294436-00003	Block - Fuse.....	1
30	FE-008-48	Fuse (250 V., 0.6 Amp.).....	1
31	SD-008-17	Self-Tapping Screw 6-20 x 3/8 Phil. Bndg. Hd., Type B.....	1
32	00-087714-056-1	Relay - Time Delay (120 VAC).....	1
33	SD-036-13	Self-Tapping Screw 1/4-20 x 1-1/4 Hex Washer Hd., Type T.....	1
34	00-437070-00005	Module - Plug On (Auto-Timer).....	1



**CONTROL BOX  
(WITH DISPOSER)**

## CONTROL BOX (WITH DISPOSER)

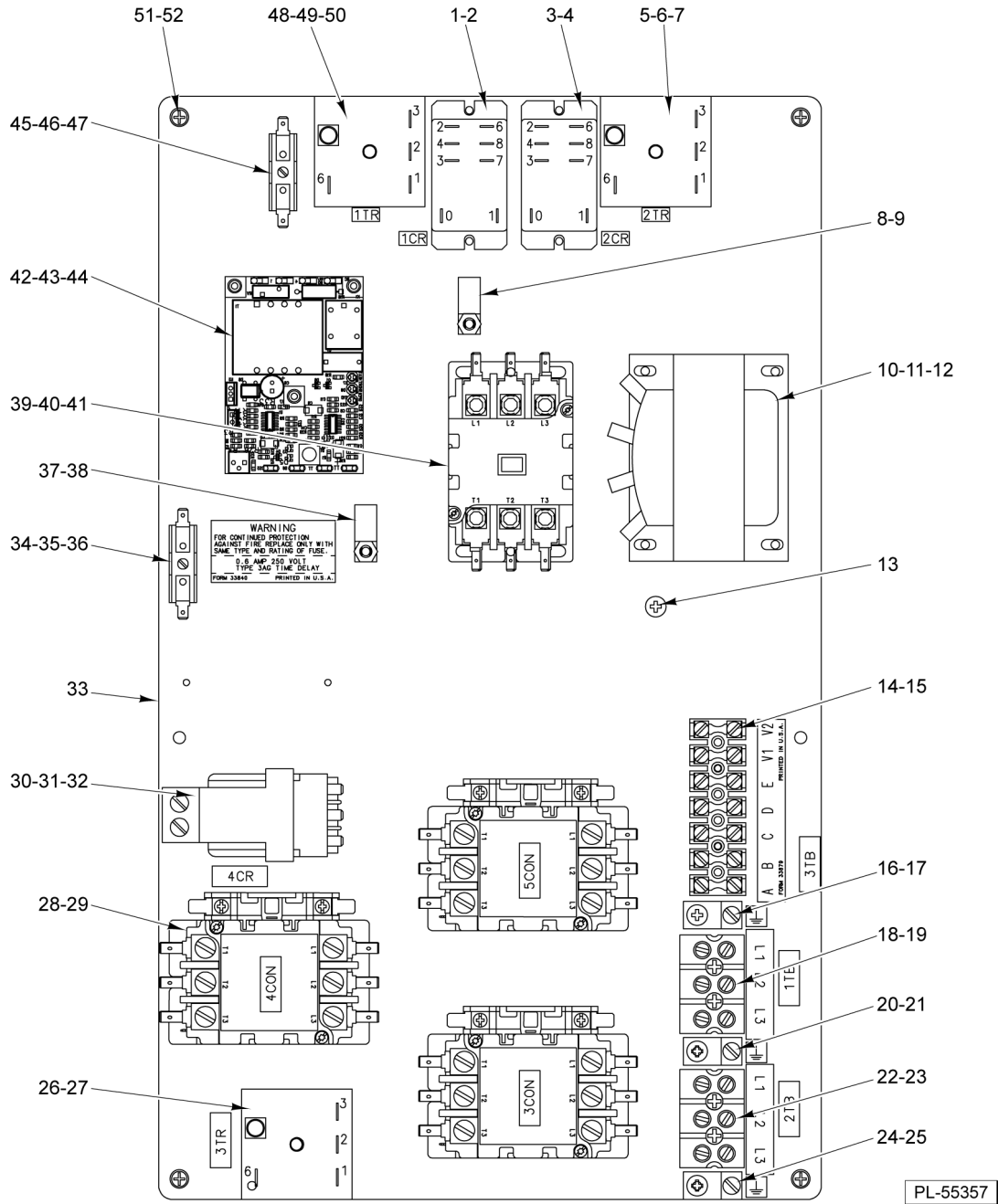
ILLUS. PL-55371	PART NO.	NAME OF PART	AMT.
1	WS-017-06	Washer (SST).....	4
2	WL-006-17	Lockwasher 1/4 Helical (SST).....	4
3	SC-041-50	Cap Screw 1/4-20 x 1/2 Hex Hd. (SST).....	4
4	00-749744	Bracket - Mounting.....	1
5	00-475402	Gasket - Control Box Lid.....	1
6	NS-025-09	Crown Nut 5/16-18 (SST).....	4
7	WL-006-23	Lockwasher 5/16 Helical (SST).....	4
8	WS-017-01	Washer 0.328 x 0.875 x 0.062 (SST).....	4
9	00-545193	Gasket (Between Control Box and Wash Tank).....	AR
10	WS-017-06	Washer (SST).....	6
11	WL-006-17	Lockwasher 1/4 Helical (SST).....	6
12	NS-015-01	Nut 1/4-20 Hex (SST).....	6
13	00-067500-00072	O-Ring.....	1
14	WS-010-40	Washer - Thrust.....	2
15	WL-014-31	Lockwasher 1/2 External Shakeproof (SST).....	1
16	NS-018-28	Jam Nut 1/2-20 Hex (SST).....	1
17	00-271621	Switch & Probe Assy. (4-Wire) (Long).....	1
18	00-748480	Pin - Pivot.....	1
19	RR-010-12	Retaining Ring.....	1
20	00-112467	Retainer - Float.....	1
21	RR-010-13	Retaining Ring.....	1
22	00-122674	Float Assy.....	1
23	00-749787-00001	Strainer - Heater (L-R).....	1
24	00-749787-00002	Strainer - Heater (R-L).....	1
25	00-749718-00001	Heater Assy. (208-240/60/1) (208-240/60/3) (Incls. Hardware).....	1
26	00-749718-00002	Heater Assy. (480/60/3) (Incls. Hardware).....	1
27	00-475320	Kit - Temperature Control (Incls. Items 28, 29, & 30).....	1
28	00-475967	Bracket - High Limit.....	1
29	WL-006-07	Lockwasher #10 Helical (SST).....	2
30	NS-011-18	Nut 10-24 Hex (SST).....	2
31	SC-053-02	Mach. Screw 10-24 x 1/2 Slotted Truss Hd. (SST).....	4
32	00-438131-00032	Label - Warning.....	1
33	00-438131-00033	Label - Warning (S.P.E.C. Only).....	1
34	00-087711-166-2	Plate - Legend (Stop).....	1
35	00-087711-161-2	Switch - Push-button.....	1
36	00-294700-013-1	Indicator Light (Amber) (Heat On) and/or (Fill On).....	2
37	00-087711-161-4	Switch - Push-button (Start).....	1
38	00-087711-166-6	Plate - Legend (Start).....	1
39	00-087711-00333	Switch Assy. (3-Position) (Maintained) (Heater and/or Fill).....	1
40	00-087711-00331	Switch Assy. (2-Position) (Fill and/or Timer).....	1
41	00-749740	Panel - Trim (For Control Box with Heater & Timer).....	1
42	00-749747	Panel - Trim (For Control Box with Timer Only).....	1
43	00-749748	Panel - Trim (For Control Box with Fill and Timer).....	1
44	00-749749	Panel - Trim (For Control Box with Fill, Heater, and Timer).....	1
45	NS-031-15	Stop Nut 10-24 Hex (SST).....	1
46	WS-019-06	Washer.....	1
47	00-476072	Box - Control (L-R) (Shown).....	1
48	00-476073	Box - Control (R-L).....	1
49	00-087711-00332	Switch Assy. Pump (3-Position) (Spring Return) (Incls. Hardware).....	1
50	00-294677-00002	Clamp - Wire (1/2 I.D.).....	1
51	00-475408	Guard - Switch.....	2
52	SC-021-08	Mach. Screw 6-32 x 3/8 Slotted Rd. Hd. (SST).....	4
53	WL-006-42	Lockwasher #6 Medium.....	4
54	00-476076-00001	Lid - Hinge (L-R) (3 Button/2 Light).....	1
55	00-476076-00002	Lid - Hinge (L-R) (4 Button/1 Light).....	1

**CONTROL BOX  
(WITH DISPOSER)**

ILLUS.	PART NO.	NAME OF PART	AMT.
<b>PL-55371</b>			
56	00-476077-00001	Lid - Hinge (R-L) (4 Button/2 Light).....	1
57	00-476077-00002	Lid - Hinge (R-L) (3 Button/1 Light).....	1
58	SC-053-02	Mach. Screw 10-24 x 1/2 Slotted Truss Hd. (SST).....	4
59	00-475370-00002	Hinge - Lift Off (Top Without Pin).....	1
60	00-475370-00005	Hinge - Lift Off (Bottom Without Pin).....	1
61	00-526408	Tape - Foam.....	AR

## NOTES

L-R OPERATION SHOWN,  
R-L OPPOSITE

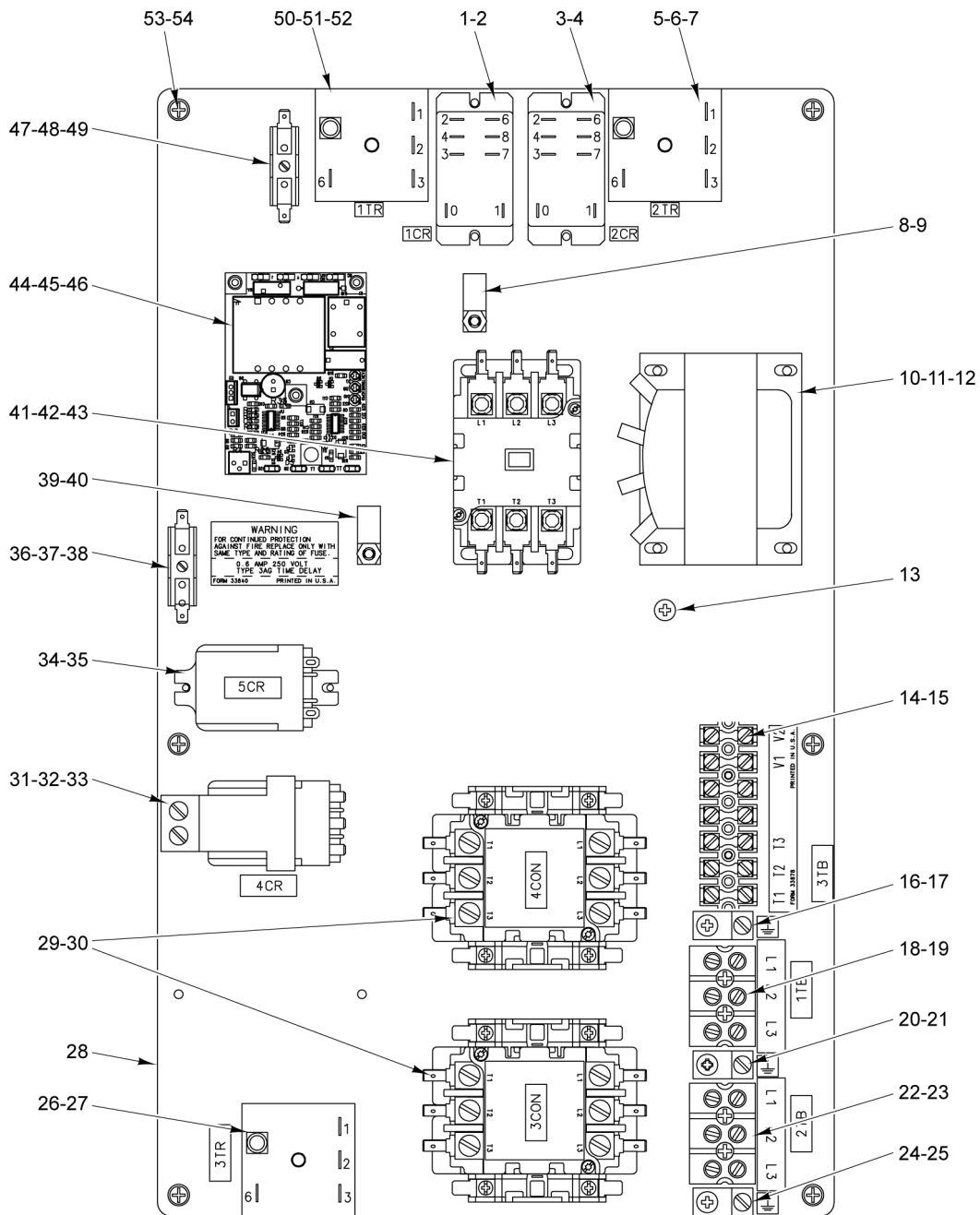


**BASE PLATE  
(WITH DISPOSER)  
(1 PH.)**

**BASE PLATE  
(WITH DISPOSER)  
(1 PH.)**

ILLUS. PL-55357	PART NO.	NAME OF PART	AMT.
1	00-087714-046-1	Relay (2-Pole) (30 Amp.).....	1
2	SD-008-18	Self-Tapping Screw 8-18 x 3/8 Phil. Bndg. Hd., Type B.....	2
3	00-087714-046-1	Relay (2-Pole) (30 Amp.).....	1
4	SD-008-18	Self-Tapping Screw 8-18 x 3/8 Phil. Bndg. Hd., Type B.....	2
5	00-087714-057-1	Relay Time Delay (Auto-Fill).....	1
6	SD-036-13	Self-Tapping Screw 1/4-20 x 1-1/4 Hex Washer Hd., Type T.....	1
7	00-437070-00007	Module - Plug-On (Auto-Fill).....	1
8	00-294677-00003	Clamp - Wire (3/4 I.D.).....	1
9	SD-008-25	Self-Tapping Screw 10-16 x 1/2 Phil. Pan Hd., Type B.....	1
10	00-294500-052-1	Transformer (100 VA.) (50/60 Hz.).....	1
11	WL-014-07	Lockwasher #10 External Shakeproof (SST).....	2
12	SD-008-25	Self-Tapping Screw 10-16 x 1/2 Phil. Pan Hd., Type B.....	2
13	SD-034-59	Self-Tapping Screw 10-32 x 3/8 Phil. Pan Hd., Type T.....	1
14	00-294325-013-5	Block - Terminal.....	1
15	SD-019-29	Self-Tapping Screw 6-20 x 1/2 Phil. Pan Hd., Type B.....	2
16	00-118544-00001	Lug - Solderless.....	1
17	SD-034-59	Self-Tapping Screw 10-32 x 3/8 Phil. Pan Hd., Type T.....	1
18	00-111995	Block - Terminal.....	1
19	SD-019-26	Self-Tapping Screw 8-18 x 1-1/4 Phil. Rd. Hd., Type B.....	2
20	00-118544-00001	Lug - Solderless.....	1
21	SD-034-59	Self-Tapping Screw 10-32 x 3/8 Phil. Pan Hd., Type T.....	1
22	00-111995	Block - Terminal (Without S.P.E.C.).....	1
23	SD-019-26	Self-Tapping Screw 8-18 x 1-1/4 Phil. Rd. Hd., Type B (Without S.P.E.C.).....	2
24	00-118544-00001	Lug - Solderless (W/O S.P.E.C.).....	1
25	SD-034-59	Self-Tapping Screw 10-32 x 3/8 Phil. Pan Hd., Type T (Without S.P.E.C.).....	1
26	00-087714-054-1	Kit - Time Delay Relay.....	1
27	SD-036-13	Self-Tapping Screw 1/4-20 x 1-1/4 Hex Washer Hd., Type T.....	2
28	00-087713-039-2	Contactactor (30 Amp., 3-Pole) (With Aux. Switch).....	3
29	SD-008-25	Self-Tapping Screw 10-16 x 1/2 Phil. Pan Hd., Type B.....	6
30	00-942077	Relay - Reversing.....	1
31	00-942081	Bracket - Reversing Relay.....	1
32	SD-008-25	Self-Tapping Screw 10-16 x 1/2 Phil. Pan Hd., Type B.....	2
33	00-749813	Plate - Base With Disposer.....	1
34	00-294436-00003	Block - Fuse.....	1
35	FE-008-48	Fuse (250 V., 0.6 Amp.).....	1
36	SD-008-17	Self-Tapping Screw 6-20 x 3/8 Phil. Bndg. Hd., Type B.....	1
37	00-294677-00002	Clamp - Wire (1/2 I.D.).....	1
38	SD-008-25	Self-Tapping Screw 10-16 x 1/2 Phil. Pan Hd., Type B.....	1
39	00-087713-040-2	Contactactor (30 Amp., 3-Pole).....	1
40	00-087713-039-2	Contactactor (30 Amp., 3-Pole) (Auto-Timer Only).....	1
41	SD-008-25	Self-Tapping Screw 10-16 x 1/2 Phil. Pan Hd., Type B.....	2
42	00-475458-00002	Board and Temp Control (110 Deg. F or 140 Deg. F).....	1
43	00-476653	Spacer - Circuit Board.....	4
44	SD-038-02	Self-Tapping Screw 6-20 x 5/8 Phil. Pan Hd., Type B.....	3
45	00-294436-00003	Block - Fuse.....	1
46	FE-008-48	Fuse (250 V., 0.6 Amp.).....	1
47	SD-008-17	Self-Tapping Screw 6-20 x 3/8 Phil. Bndg. Hd., Type B.....	1
48	00-087714-056-1	Relay - Time Delay (120 VAC.) (Auto-Timer).....	1
49	SD-036-13	Self-Tapping Screw 1/4-20 x 1-1/4 Hex Washer Hd., Type T.....	1
50	00-437070-00005	Module - Plug On (Auto-Timer).....	1
51	SC-066-05	Mach. Screw 10-24 x 3/8 Phil. Truss Hd. (SST).....	6
52	WL-014-07	Lockwasher #10 External Shakeproof (SST).....	6

L-R OPERATION SHOWN,  
R-L OPPOSITE



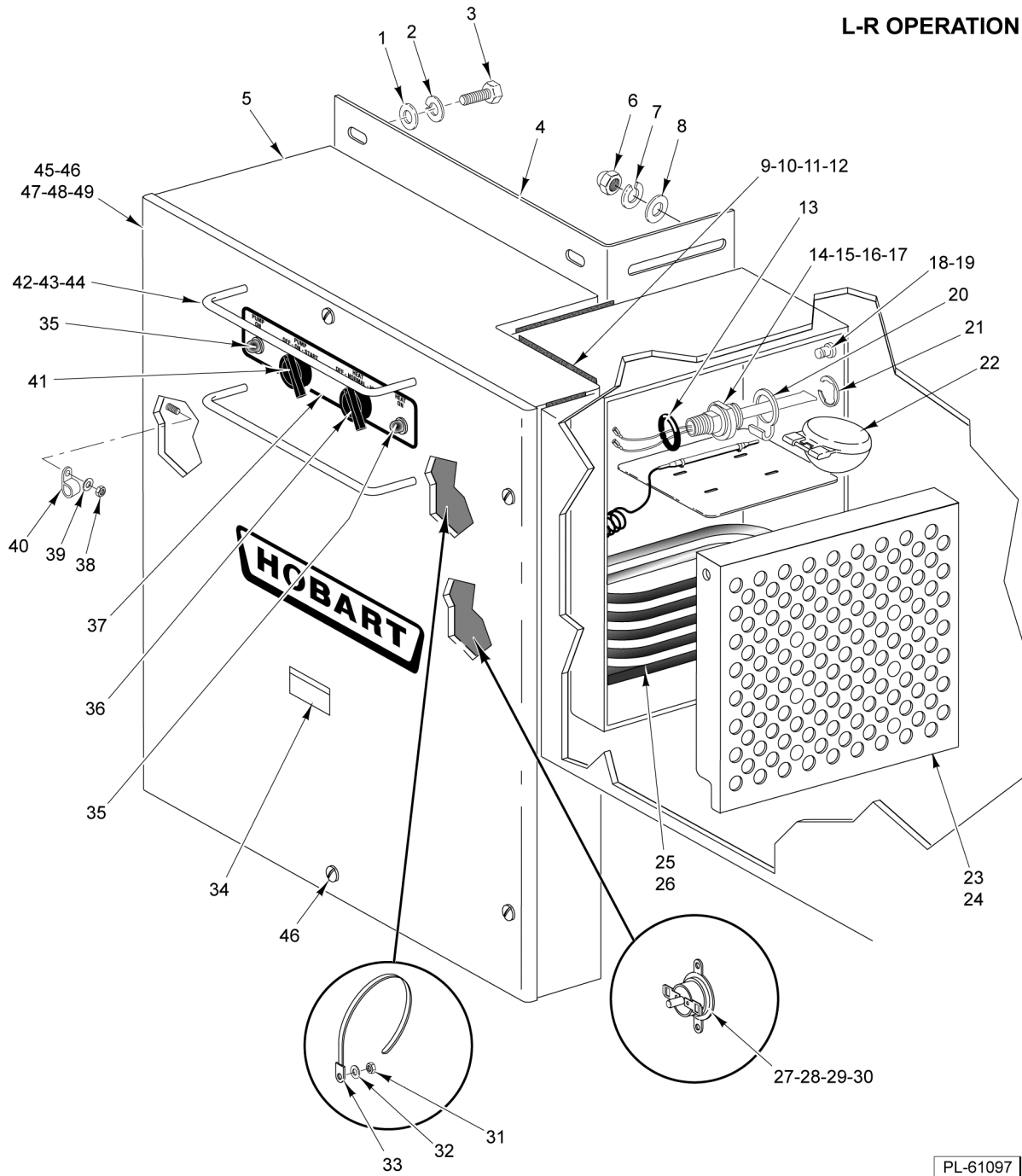
PL-55372

**BASE PLATE  
(WITH DISPOSER)  
(3 PH.)**

**BASE PLATE  
(WITH DISPOSER)  
(3 PH.)**

ILLUS. PL-55372	PART NO.	NAME OF PART	AMT.
1	00-087714-046-1	Relay (2-Pole) (30 Amp.).....	1
2	SD-008-18	Self-Tapping Screw 8-18 x 3/8 Phil. Bndg. Hd., Type B.....	2
3	00-087714-046-1	Relay (2-Pole) (30 Amp.).....	1
4	SD-008-18	Self-Tapping Screw 8-18 x 3/8 Phil. Bndg. Hd., Type B.....	2
5	00-087714-057-1	Relay Time Delay (Auto-Fill).....	1
6	SD-036-13	Self-Tapping Screw 1/4-20 x 1-1/4 Hex Washer Hd., Type T.....	1
7	00-437070-00007	Module - Plug-On (Auto-Fill).....	1
8	00-294677-00003	Clamp - Wire (3/4 I.D.).....	1
9	SD-008-25	Self-Tapping Screw 10-16 x 1/2 Phil. Pan Hd., Type B.....	1
10	00-294500-00033	Transformer (60 VAC, 50/60 Hz.).....	1
11	WL-014-07	Lockwasher #10 External Shakeproof (SST).....	2
12	SD-008-25	Self-Tapping Screw 10-16 x 1/2 Phil. Pan Hd., Type B.....	2
13	SD-034-59	Self-Tapping Screw 10-32 x 3/8 Phil. Pan Hd., Type T.....	1
14	00-294325-013-5	Block - Terminal.....	1
15	SD-019-29	Self-Tapping Screw 6-20 x 1/2 Phil. Pan Hd., Type B.....	2
16	00-118544-00001	Lug - Solderless.....	1
17	SD-034-59	Self-Tapping Screw 10-32 x 3/8 Phil. Pan Hd., Type T.....	2
18	00-111995	Block - Terminal.....	1
19	SD-019-26	Self-Tapping Screw 8-18 x 1-1/4 Phil. Rd. Hd., Type B.....	2
20	00-118544-00001	Lug - Solderless.....	1
21	SD-034-59	Self-Tapping Screw 10-32 x 3/8 Phil. Pan Hd., Type T.....	1
22	00-111995	Block - Terminal (Without S.P.E.C. Only).....	1
23	SD-019-26	Self-Tapping Screw 8-18 x 1-1/4 Phil. Rd. Hd., Type B (Without S.P.E.C.).....	2
24	00-118544-00001	Lug - Solderless (W/O S.P.E.C. Only).....	1
25	SD-034-59	Self-Tapping Screw 10-32 x 3/8 Phil. Pan Hd., Type T (Without S.P.E.C. Only).....	1
26	00-087714-057-1	Relay - Time Delay (1TR) (Vent Fan Control).....	1
27	SD-036-13	Self-Tapping Screw 1/4-20 x 1-1/4 Hex Washer Hd., Type T.....	2
28	00-749813	Plate - Base With Disposer.....	1
29	00-087713-030-2	Contact (30 Amp., 3-Pole) (With Aux. Switch).....	2
30	SD-008-25	Self-Tapping Screw 10-16 x 1/2 Phil. Pan Hd., Type B.....	4
31	00-942077	Relay - Reversing.....	1
32	00-942081	Bracket - Reversing Relay.....	1
33	SD-008-25	Self-Tapping Screw 10-16 x 1/2 Phil. Pan Hd., Type B.....	2
34	00-087714-007-2	Relay.....	1
35	SD-008-17	Self-Tapping Screw 6-20 x 3/8 Phil. Bndg. Hd., Type B.....	1
36	00-294436-00003	Block - Fuse.....	1
37	FE-008-48	Fuse (250 V., 0.6 Amp.).....	1
38	SD-008-17	Self-Tapping Screw 6-20 x 3/8 Phil. Bndg. Hd., Type B.....	1
39	00-294677-00002	Clamp - Wire (1/2 I.D.).....	1
40	SD-008-25	Self-Tapping Screw 10-16 x 1/2 Phil. Pan Hd., Type B.....	1
41	00-087713-040-2	Contact (30 Amp., 3-Pole).....	1
42	00-087713-039-2	Contact (30 Amp., 3-Pole) (Auto-Timer Only).....	1
43	SD-008-25	Self-Tapping Screw 10-16 x 1/2 Phil. Pan Hd., Type B.....	2
44	00-475458-00002	Board and Temp Control (110 Deg. F or 140 Deg. F).....	1
45	00-476653	Spacer - Circuit Board.....	4
46	SD-038-02	Self-Tapping Screw 6-20 x 5/8 Phil. Pan Hd., Type B.....	3
47	00-294436-00003	Block - Fuse.....	1
48	FE-008-48	Fuse (250 V., 0.6 Amp.).....	1
49	SD-008-17	Self-Tapping Screw 6-20 x 3/8 Phil. Bndg. Hd., Type B.....	1
50	00-087714-056-1	Relay - Time Delay (120 VAC.) (Auto-Timer).....	1
51	SD-036-13	Self-Tapping Screw 1/4-20 x 1-1/4 Hex Washer Hd., Type T.....	1
52	00-437070-00005	Module - Plug On (Auto-Timer).....	1
53	SC-066-05	Mach. Screw 10-24 x 3/8 Phil. Truss Hd. (SST).....	6
54	WL-014-07	Lockwasher #10 External Shakeproof (SST).....	6

L-R OPERATION

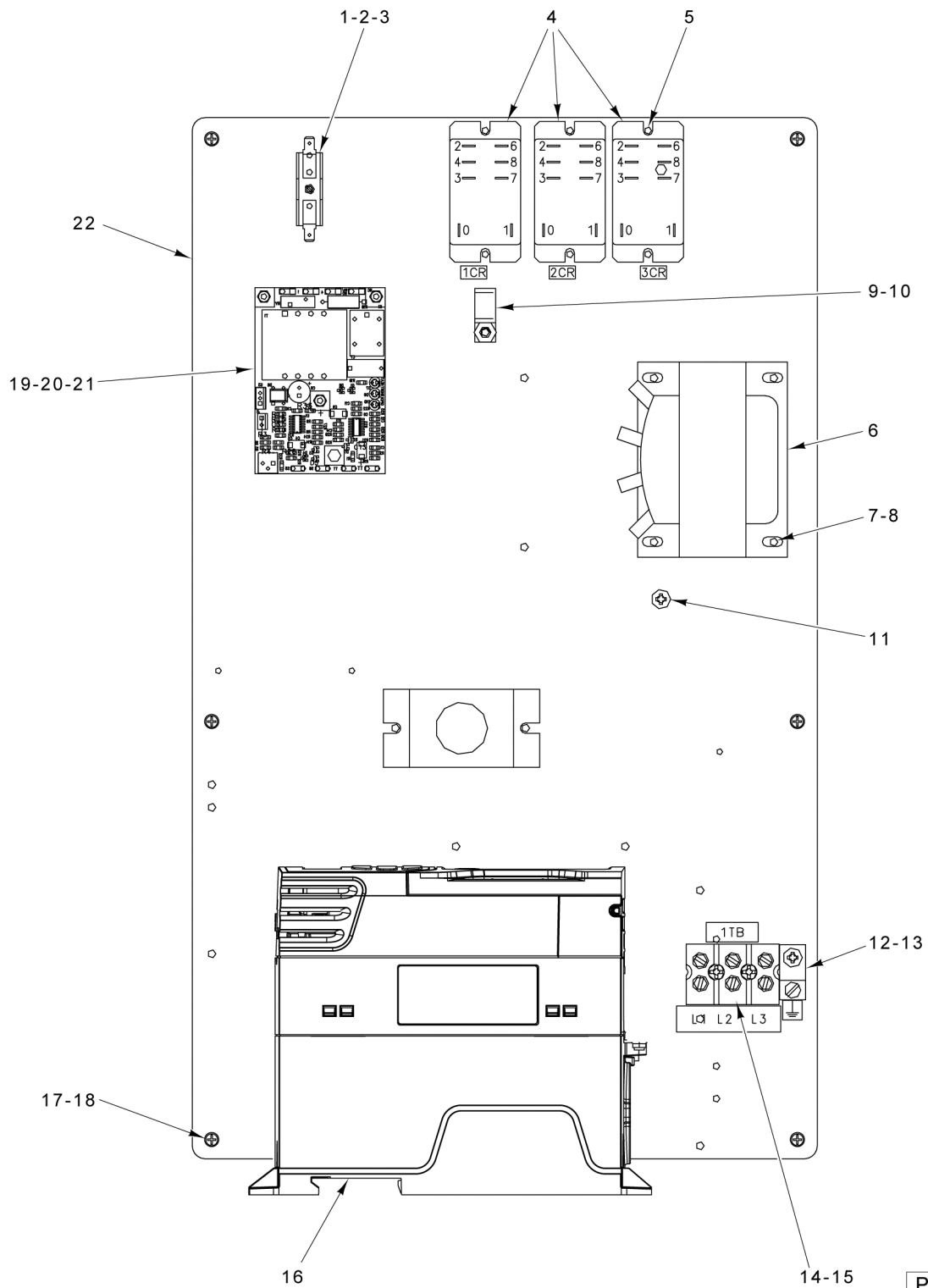


**CONTROL BOX  
(WITH INVERTER)**

PL-61097

## CONTROL BOX (WITH INVERTER)

ILLUS. PL-61097	PART NO.	NAME OF PART	AMT.
1	WS-017-06	Washer (SST).....	4
2	WL-006-17	Lockwasher 1/4 Helical (SST).....	4
3	SC-041-50	Cap Screw 1/4-20 x 1/2 Hex Hd. (SST).....	4
4	00-476989	Bracket - Mounting.....	1
5	00-476072	Box - Control (L-R) (Shown).....	1
6	NS-025-09	Crown Nut 5/16-18 (SST).....	4
7	WL-006-23	Lockwasher 5/16 Helical (SST).....	4
8	WS-017-01	Washer 0.328 x 0.875 x 0.062 (SST).....	4
9	00-545193	Gasket (Between Control Box and Wash Tank).....	AR
10	WS-017-06	Washer (SST).....	6
11	WL-006-17	Lockwasher 1/4 Helical (SST).....	6
12	NS-015-01	Nut 1/4-20 Hex (SST).....	6
13	00-067500-00072	O-Ring.....	1
14	WS-010-40	Washer - Thrust.....	2
15	WL-014-31	Lockwasher 1/2 External Shakeproof (SST).....	1
16	NS-018-28	Jam Nut 1/2-20 Hex (SST).....	1
17	00-289121	Kit - Low Water Protection (Incls. Items 13, 20, 21, & 22).....	1
18	00-748480	Pin - Pivot.....	1
19	RR-010-12	Retaining Ring.....	1
20	00-112467	Retainer - Float.....	1
21	RR-010-13	Retaining Ring.....	1
22	00-122674	Float Assy.....	1
23	00-749787-00001	Strainer - Heater (L-R).....	1
24	00-749787-00002	Strainer - Heater (R-L).....	1
25	00-749718-00001	Heater Assy. (208-240/60/1) (208-240/60/3) (Incls. Hardware).....	1
26	00-749718-00002	Heater Assy. (480/60/3) (Incls. Hardware).....	1
27	00-475320	Kit - Temperature Control (Incls. Items 28, 29, & 30).....	1
28	00-475967	Bracket - High Limit.....	1
29	WL-006-07	Lockwasher #10 Helical (SST).....	2
30	NS-011-18	Nut 10-24 Hex (SST).....	2
31	NS-031-15	Stop Nut 10-24 Hex (SST).....	1
32	WS-019-06	Washer.....	1
33	00-328678	Clamp - Tie.....	1
34	00-438131-00033	Label - Warning.....	1
35	00-294700-013-1	Indicator Light (Amber) (Incls. Hardware) (Heat On) and/or (Pump On).....	2
36	00-087711-00333	Switch Assy. (3-Position) (Maintained) (Heater and/or Fill) (Incls. Hardware).....	1
37	00-749740	Panel - Trim (For Control Box with Heater & Timer).....	1
38	NS-031-15	Stop Nut 10-24 Hex (SST).....	1
39	WS-019-06	Washer.....	1
40	00-294677-00002	Clamp - Wire (1/2 I.D.).....	1
41	00-087711-00332	Switch Assy. Pump (3-Position) (Spring Return) (Incls. Hardware).....	1
42	00-475408	Guard - Switch.....	2
43	SC-021-08	Mach. Screw 6-32 x 3/8 Slotted Rd. Hd. (SST).....	4
44	WL-006-42	Lockwasher #6 Medium.....	4
45	00-476076-00001	Lid - Hinged (L-R).....	1
46	SC-053-02	Mach. Screw 10-24 x 1/2 Slotted Truss Hd. (SST).....	4
47	00-475370-00002	Hinge - Lift Off (Top Without Pin).....	1
48	00-475370-00005	Hinge - Lift Off (Bottom Without Pin).....	1
49	00-526408	Tape - Foam.....	AR



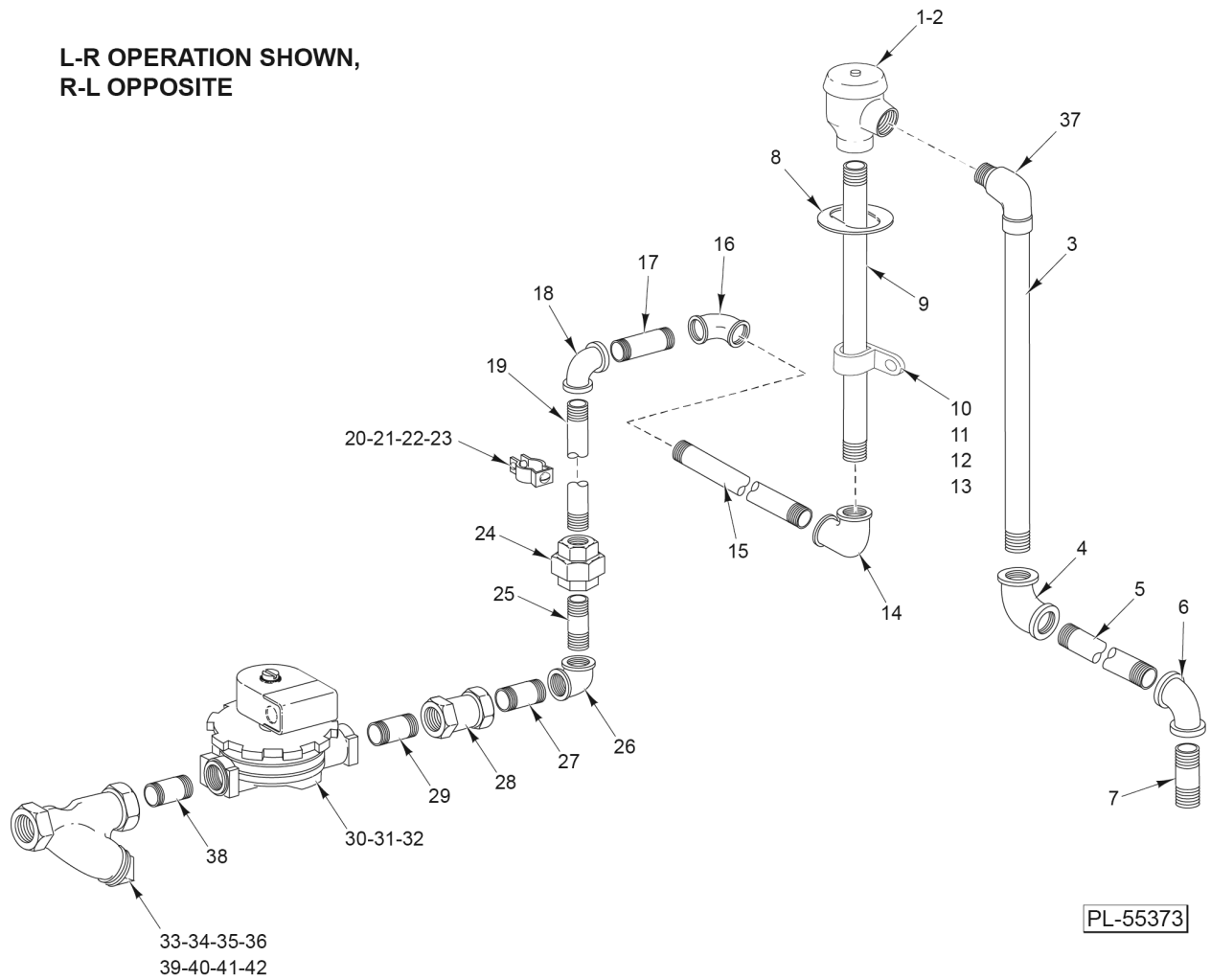
PL-61098

**BASE PLATE  
(WITH INVERTER)**

**BASE PLATE  
(WITH INVERTER)**

ILLUS. PL-61098	PART NO.	NAME OF PART	AMT.
1	00-294436-00003	Block - Fuse.....	1
2	FE-008-48	Fuse (250 V., 0.6 Amp.).....	1
3	SD-008-17	Self-Tapping Screw 6-20 x 3/8 Phil. Bndg. Hd., Type B.....	1
4	00-087714-046-1	Relay (2-Pole) (30 Amp.).....	3
5	SD-008-18	Self-Tapping Screw 8-18 x 3/8 Phil. Bndg. Hd., Type B.....	6
6	00-294500-052-1	Transformer (100 VA.) (50/60 Hz.).....	1
7	WL-014-07	Lockwasher #10 External Shakeproof (SST).....	2
8	SD-008-25	Self-Tapping Screw 10-16 x 1/2 Phil. Pan Hd., Type B.....	2
9	00-294677-00003	Clamp - Wire (3/4 I.D.).....	1
10	SD-008-25	Self-Tapping Screw 10-16 x 1/2 Phil. Pan Hd., Type B.....	1
11	SD-034-59	Self-Tapping Screw 10-32 x 3/8 Phil. Pan Hd., Type T (Ground).....	1
12	00-118544-00001	Lug - Solderless.....	1
13	SD-034-59	Self-Tapping Screw 10-32 x 3/8 Phil. Pan Hd., Type T.....	1
14	00-111995	Block - Terminal.....	1
15	SD-019-26	Self-Tapping Screw 8-18 x 1-1/4 Phil. Rd. Hd., Type B.....	2
16	00-974910	Inverter - Frequency.....	1
17	SC-066-05	Mach. Screw 10-24 x 3/8 Phil. Truss Hd. (SST).....	6
18	WL-014-07	Lockwasher #10 External Shakeproof (SST).....	6
19	00-475458-00002	Board and Temp Control (110 Deg. F or 140 Deg. F).....	1
20	00-476653	Spacer - Circuit Board.....	4
21	SD-038-02	Self-Tapping Screw 6-20 x 5/8 Phil. Pan Hd., Type B.....	3
22	00-749813	Plate - Base With Disposer.....	1

L-R OPERATION SHOWN,  
R-L OPPOSITE



PL-55373

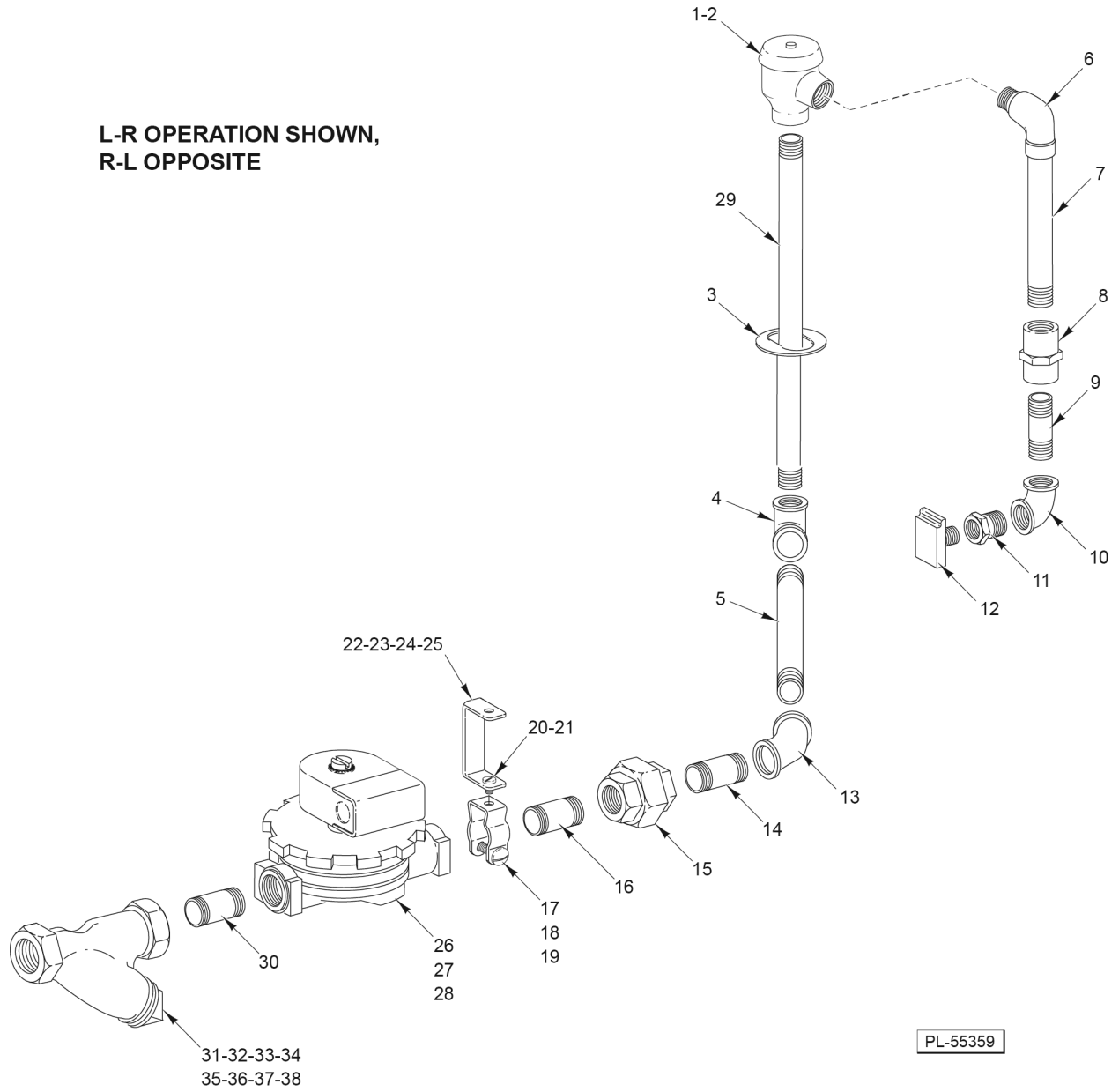
**AUTO FILL PIPING**

## AUTO FILL PIPING

ILLUS.	PART NO.	NAME OF PART	AMT.
PL-55373			
1	00-277112	Vacuum Breaker (3/4).....	1
2	00-118270	Service Kit - Vacuum Breaker (Float & Seal Assy.).....	1
3	FP-089-15	Pipe 3/4 x 18-1/4 (SST).....	1
4	FP-015-23	Elbow 3/4 x 90 Deg. (Brass).....	1
5	FP-042-57	Pipe 3/4 x 19-5/8 (Brass).....	1
6	FP-015-23	Elbow 3/4 x 90 Deg. (Brass).....	1
7	FP-041-54	Pipe 3/4 x 2 (Brass).....	1
8	00-475735-00002	Plate - Trim.....	2
9	FP-089-15	Pipe 3/4 x 18-1/4 (SST).....	1
10	FE-018-35	NLA - Obsolete--Clamp 3/4 TS.....	1
11	WS-017-08	Washer (0.328 x 0.625 x 0.062) (SST).....	1
12	WL-006-17	Lockwasher 1/4 Helical (SST).....	1
13	NS-015-01	Nut 1/4-20 Hex (SST).....	1
14	FP-015-23	Elbow 3/4 x 90 Deg. (Brass).....	1
15	FP-043-45	Pipe 3/4 x 6-5/8 (Brass).....	1
16	FP-015-23	Elbow 3/4 x 90 Deg. (Brass).....	1
17	FP-046-61	Pipe 3/4 x 9 (Brass).....	1
18	FP-015-23	Elbow 3/4 x 90 Deg. (Brass).....	1
19	FP-089-16	Pipe 3/4 x 11-3/8 (Brass).....	1
20	00-064901	Hanger.....	1
21	SC-021-96	Mach. Screw 10-24 x 1-1/4 Slotted Rd. Hd. (SST).....	1
22	SC-053-05	Mach. Screw 10-24 x 3/8 Slotted Truss Hd. (SST).....	1
23	NS-031-15	Stop Nut 10-24 Hex (SST).....	1
24	FP-022-18	Union - Pipe 3/4 Straight Female (Brass).....	1
25	FP-041-50	Pipe 3/4 x 1-3/8 TBE (Brass).....	1
26	FP-015-23	Elbow 3/4 x 90 Deg. (Brass).....	1
27	FP-041-50	Pipe 3/4 x 1-3/8 TBE (Brass).....	1
28	00-204369-00001	Flow Control (10 G.P.M.).....	1
29	FP-041-50	Pipe 3/4 x 1-3/8 TBE (Brass).....	1
30	00-271002-00001	Valve - Solenoid 3/4 (110-120 V.) (Incls. Item 31).....	1
31	00-271839-00001	Coil - Solenoid Valve.....	1
32	00-271838	Service Kit - 3/4 Solenoid Valve.....	1
*33	00-186922	Strainer - Line (3/4 In.) (Brass) (Kitz) (Incls. Items 34, 35, & 36) (Alternate to Item 39).....	1
34	00-186923	Plug - Branch.....	1
35	00-186924	Gasket - Branch Plug.....	1
36	00-186925	Screen - Line Strainer.....	1
37	FP-077-31	Elbow - Pipe 3/4 x 90 Deg. (SST).....	1
38	FP-041-50	Pipe 3/4 x 1-3/8 TBE (Brass).....	1
*39	00-186922	Strainer - Line (3/4 In.) (Brass) (Apollo / Conbraco) (Incls. Items 40, 41, & 42) (Alternate to Item 33).....	1
40	00-749802-00001	Cap.....	1
41	00-749802-00002	Gasket.....	1
42	00-749802-00003	Screen (80 Mesh).....	1

\* Kitz line strainer is approx. 1/4" shorter than Apollo / Conbraco.

L-R OPERATION SHOWN,  
R-L OPPOSITE

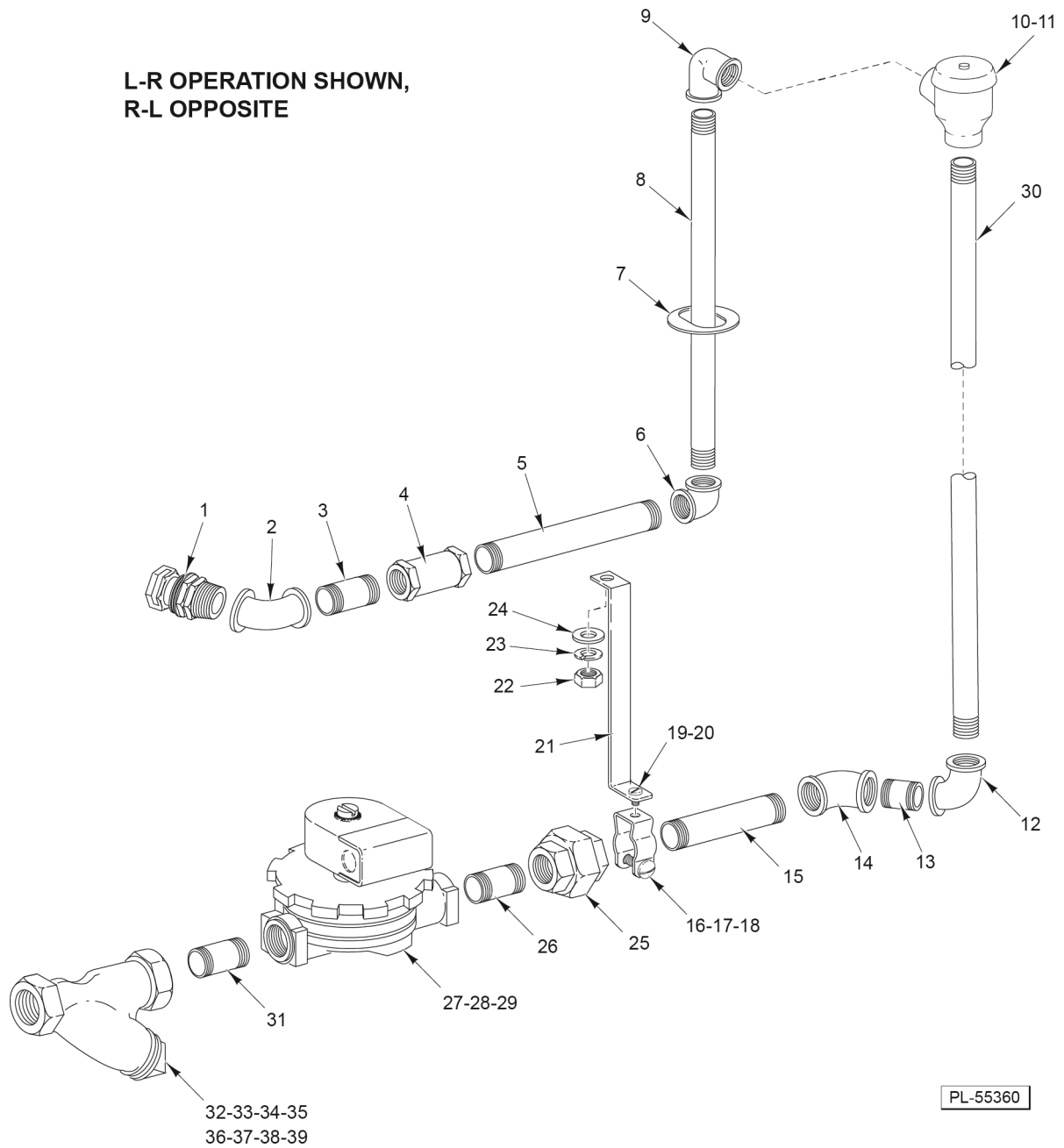


**PIPING SWIRL DISPOSER  
(SCRAPPER UNIT)**

**PIPING SWIRL DISPOSER  
(SCRAPPER UNIT)**

ILLUS.	PART NO.	NAME OF PART	AMT.
PL-55359			
1	00-277112	Vacuum Breaker (3/4).....	1
2	00-118270	Service Kit - Vacuum Breaker (Float & Seal Assy.).....	1
3	00-475735-00002	Plate - Trim.....	2
4	FP-015-23	Elbow 3/4 x 90 Deg. (Brass).....	1
5	FP-046-20	Pipe 3/4 x 11 TBE.....	1
6	FP-077-31	Elbow - Pipe 3/4 x 90 Deg. (SST).....	1
7	FP-088-81	Pipe 3/4 x 9-3/4 TBE.....	1
8	00-204368-00001	Valve - Flow Control.....	1
9	FP-084-99	Pipe 3/4 x 1-1/4.....	1
10	FP-015-23	Elbow 3/4 x 90 Deg. (Brass).....	1
11	FP-027-22	Bushing - Pipe 3/4 to 1/2 (Brass).....	1
12	00-204346	Nozzle - Spray (Incls. Mounting Hardware).....	1
13	FP-015-22	Elbow Pipe 3/4 x 45 Deg. (Brass).....	1
14	FP-043-77	Pipe 3/4 x 4 TBE (Brass).....	1
15	FP-022-18	Union - Pipe 3/4 Straight Female (Brass).....	1
16	FP-041-50	Pipe 3/4 x 1-3/8 TBE (Brass).....	1
17	00-064901	Hanger.....	1
18	SC-021-96	Mach. Screw 10-24 x 1-1/4 Slotted Rd. Hd. (SST).....	1
19	NS-031-15	Stop Nut 10-24 Hex (SST).....	1
20	SC-053-05	Mach. Screw 10-24 x 3/8 Slotted Truss Hd. (SST).....	1
21	NS-031-15	Stop Nut 10-24 Hex (SST).....	1
22	00-748137	Bracket - Support (Swirl).....	1
23	WS-017-08	Washer (0.328 x 0.625 x 0.062) (SST).....	1
24	WL-006-23	Lockwasher 5/16 Helical (SST).....	1
25	NS-025-09	Crown Nut 5/16-18 (SST).....	1
26	00-271002-00001	Valve - Solenoid 3/4 (110-120 V.) (Incls. Item 27).....	1
27	00-271839-00001	Coil - Solenoid Valve.....	1
28	00-271838	Service Kit - 3/4 Solenoid Valve.....	1
29	FP-089-01	Pipe 3/4 x 23-1/2 TBE (SST).....	1
30	FP-041-50	Pipe 3/4 x 1-3/8 TBE (Brass).....	1
*31	00-186922	Strainer - Line (3/4 In.) (Brass) (Kitz) (Incls. Items 32, 33, & 34) (Alternate to Item 35) .....	1
32	00-186923	Plug - Branch.....	1
33	00-186924	Gasket - Branch Plug.....	1
34	00-186925	Screen - Line Strainer.....	1
*35	00-186922	Strainer - Line (3/4 In.) (Brass) (Apollo / Conbraco) (Incls. Items 36, 37, & 38) (Alternate to Item 31).....	1
36	00-749802-00001	Cap.....	1
37	00-749802-00002	Gasket.....	1
38	00-749802-00003	Screen (80 Mesh).....	AR

\* Kitz line strainer is approx. 1/4" shorter than Apollo / Conbraco.



**PIPING SWIRL DISPOSER  
(CONE UNIT)**

**PIPING SWIRL DISPOSER  
(CONE UNIT)**

ILLUS. PL-55360	PART NO.	NAME OF PART	AMT.
1	00-315122	Swirl Assy. (Incls. Mounting Hardware).....	1
2	FP-015-22	Elbow Pipe 3/4 x 45 Deg. (Brass).....	1
3	FP-041-50	Pipe 3/4 x 1-3/8 TBE (Brass).....	1
4	00-204368-00001	Valve - Flow Control.....	1
5	FP-041-94	NLA - Obsolete--Pipe - 3/4 x 5-3/4 TBE.....	1
6	FP-015-23	Elbow 3/4 x 90 Deg. (Brass).....	1
7	00-475735-00002	Plate - Trim.....	2
8	FP-088-82	Pipe - 3/4 x 12-1/4 TBE (Chrome).....	1
9	FP-077-31	Elbow - Pipe 3/4 x 90 Deg. (SST).....	1
10	00-277112	Vacuum Breaker (3/4).....	1
11	00-118270	Service Kit - Vacuum Breaker (Float & Seal Assy.).....	1
12	FP-015-23	Elbow 3/4 x 90 Deg. (Brass).....	1
13	FP-041-58	Pipe 3/4 x 2-3/8 TBE (Brass).....	1
14	FP-015-22	Elbow Pipe 3/4 x 45 Deg. (Brass).....	1
15	FP-077-90	Pipe 3/4 x 10 TBE.....	1
16	00-064901	Hanger.....	1
17	SC-021-96	Mach. Screw 10-24 x 1-1/4 Slotted Rd. Hd. (SST).....	1
18	NS-031-15	Stop Nut 10-24 Hex (SST).....	1
19	SC-053-05	Mach. Screw 10-24 x 3/8 Slotted Truss Hd. (SST).....	1
20	NS-031-15	Stop Nut 10-24 Hex (SST).....	1
21	00-748140	Bracket - Support (Swirl).....	1
22	NS-025-09	Crown Nut 5/16-18 (SST).....	1
23	WL-006-23	Lockwasher 5/16 Helical (SST).....	1
24	WS-017-08	Washer (0.328 x 0.625 x 0.062) (SST).....	1
25	FP-022-18	Union - Pipe 3/4 Straight Female (Brass).....	1
26	FP-041-50	Pipe 3/4 x 1-3/8 TBE (Brass).....	1
27	00-271002-00001	Valve - Solenoid 3/4 (110-120 V.) (Incls. Item 28).....	1
28	00-271839-00001	Coil - Solenoid Valve.....	1
29	00-271838	Service Kit - 3/4 Solenoid Valve.....	1
30	FP-089-03	Pipe 3/4 x 21-1/4 TBE (SST).....	1
31	FP-041-50	Pipe 3/4 x 1-3/8 TBE (Brass).....	1
*32	00-186922	Strainer - Line (3/4 In.) (Brass) (Kitz) (Incls. Items 33, 34, & 35) (Alternate to item 32) .....	1
33	00-186923	Plug - Branch.....	1
34	00-186924	Gasket - Branch Plug.....	1
35	00-186925	Screen - Line Strainer.....	1
*36	00-186922	Strainer - Line (3/4 In.) (Brass) (Apollo / Conbraco) (Incls. Items 37, 38, & 39) (Alternate to item 32).....	1
37	00-749802-00001	Cap.....	1
38	00-749802-00002	Gasket.....	AR
39	00-749802-00003	Screen (80 Mesh).....	1

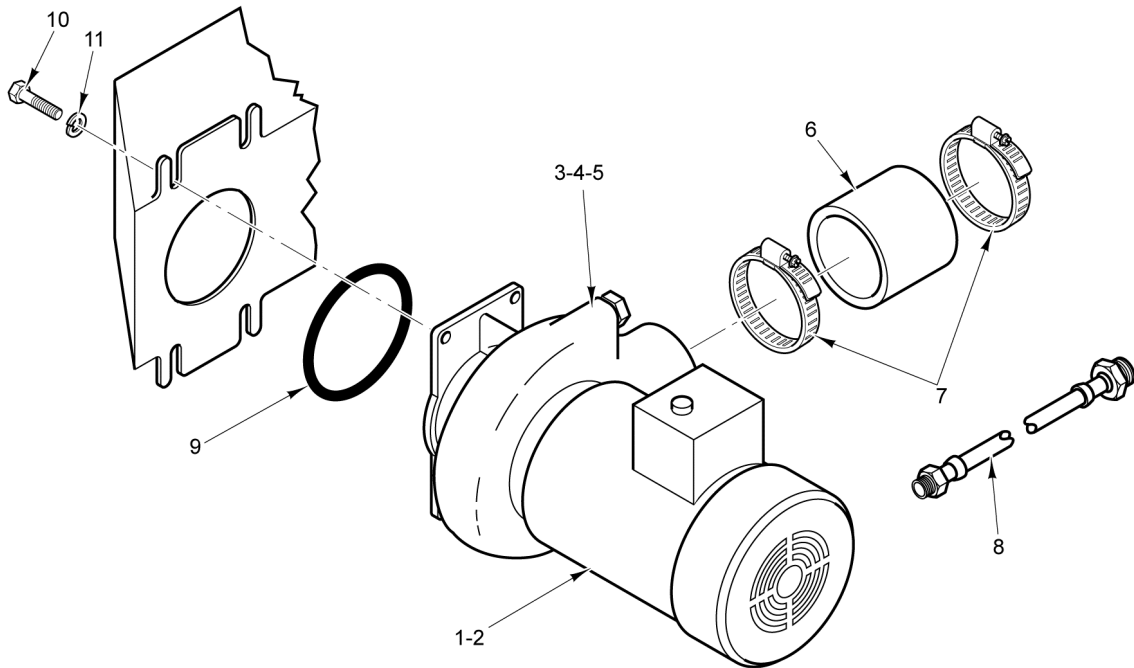
\* Kitz line strainer is approx. 1/4" shorter than Apollo / Conbraco.

12	00-274227-00006	Seal - Shaft
13	00-294853-024-3	Cable - Motor Control (1 Ph.)
14	00-294853-024-3	Cable - Motor Control (3 Ph.)

**PARTS NOT ILLUSTRATED**

**L-R OPERATION SHOWN,  
R-L OPPOSITE**

**FOR UNITS BUILT BEFORE  
S/N 231141531**

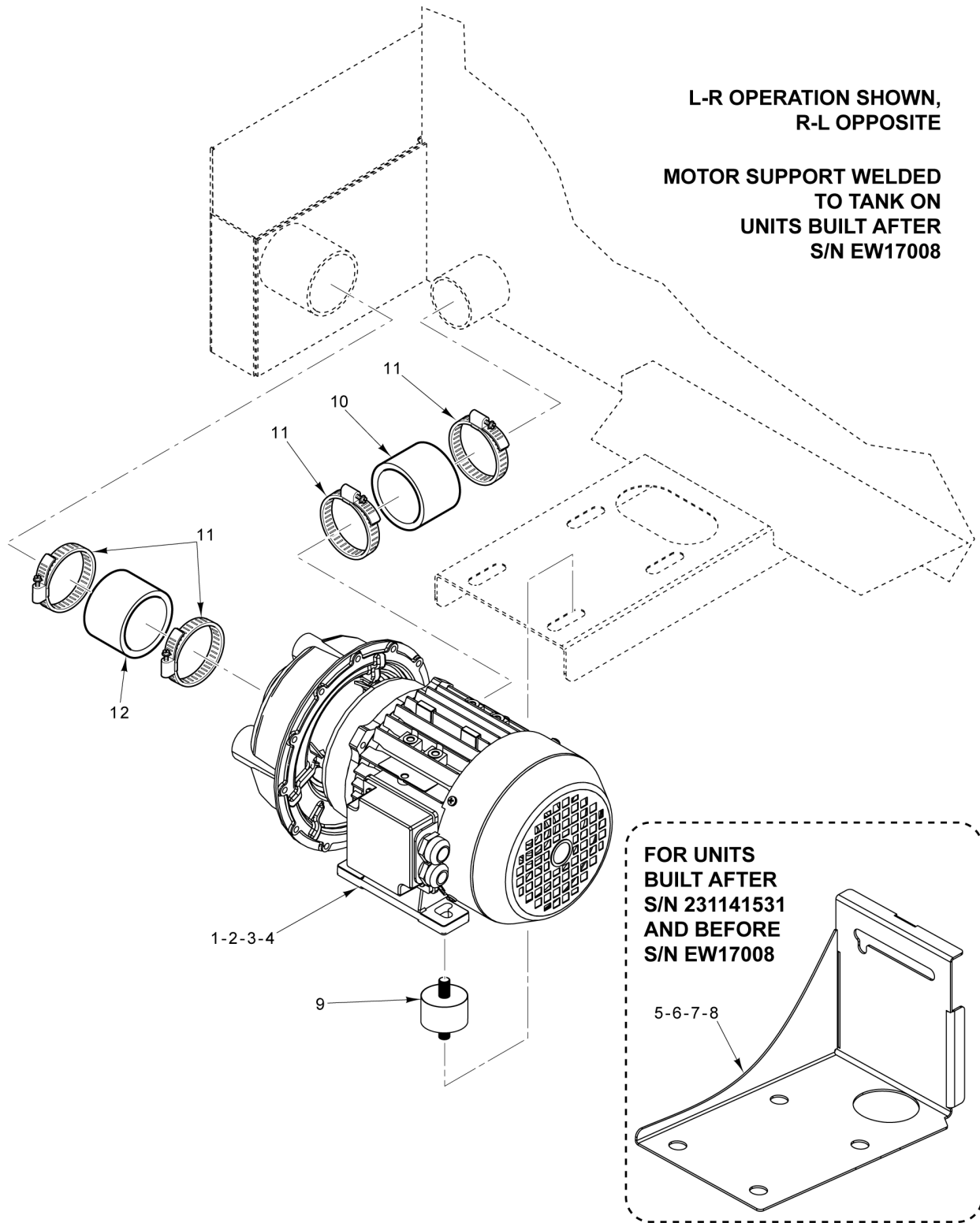


PL-55358

**PUMP & MOTOR  
(BEFORE S/N 231141531)**

**PUMP & MOTOR  
(BEFORE S/N 231141531)**

ILLUS. PL-55358	PART NO.	NAME OF PART	AMT.
1	00-942078-00001	Motor (115/208-230 V., 60 Hz., 1 Ph.).....	1
2	00-942078-00002	Motor (200/230-460 V., 60 Hz., 3 Ph.).....	1
3	00-749816-00004	Kit - Impeller (Incls. Jam Nut and Drive Sleeve).....	1
4	00-749816-00006	Gasket - Volute.....	1
5	00-749816-00003	Kit - Volute.....	1
6	00-749811	Hose - Discharge.....	1
7	00-222565-00004	Clamp - Hose.....	2
8	00-749717-00001	Hose - Drain Braided (SST).....	1
9	00-749816-00005	Ring - Quad.....	1
10	SC-041-28	Cap Screw 3/8-16 x 3/4 Hex Hd. (SST).....	4
11	WS-028-22	Washer (SST).....	4
12	00-274227-00006	Seal - Shaft.....	1
13	00-294853-024-3	Cable - Motor Control (1 Ph.).....	1
14	00-294853-024-4	Cable - Motor Control (3 Ph.).....	1

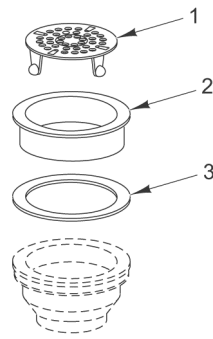


PL-60714

**PUMP & MOTOR  
(FIR)  
(AFTER S/N 231141531 OR S/N EW17008)**

**PUMP & MOTOR  
(FIR)  
(AFTER S/N 231141531 OR S/N EW17008)**

ILLUS. PL-60714	PART NO.	NAME OF PART	AMT.
1	00-942073-00001	Pump & Motor Assy. (208/460 V., 60 Hz., 3 Ph.) (L-R).....	1
2	00-942073-00002	Pump & Motor Assy. (208/240 V., 60 Hz., 1 Ph.) (L-R).....	1
3	00-942074-00001	Pump & Motor Assy. (208/460 V., 60 Hz., 3 Ph.) (R-L).....	1
4	00-942074-00002	Pump & Motor Assy. (208/240 V., 60 Hz., 1 Ph.) (R-L).....	1
5	00-975078-00001	Kit - Pump Motor Support (L-R) (Incls. Items 7 & 9) (For Units Built After S/N 231141531 And Before S/N EW17008).....	1
6	00-975078-00002	Kit - Pump Motor Support (R-L) (Incls. Items 8 & 9) (For Units Built After S/N 231141531 And Before S/N EW17008).....	1
7	00-974866-00001	Support - Motor Hanger (L-R) (For Units Built After S/N 231141531 And Before S/N EW17008).....	1
8	00-974866-00002	Support - Motor Hanger (R-L) (For Units Built After S/N 231141531 And Before S/N EW17008).....	1
9	00-974867	Pad - Bumper (Motor).....	4
10	00-947843	Hose - Discharge.....	1
11	00-542337	Clamp - Hose.....	4
12	00-941241	Hose - Pump Intake.....	1

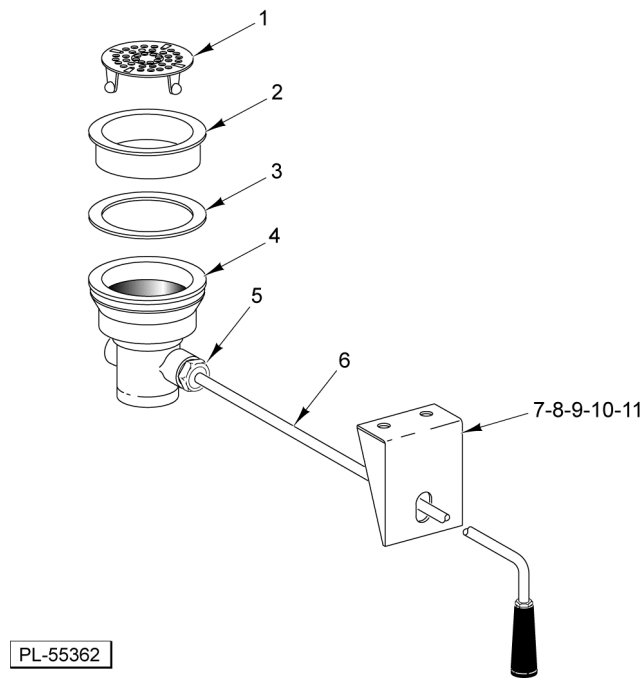


PL-55361

**DRAIN (FREE-FLOW)**

**DRAIN (FREE-FLOW)**

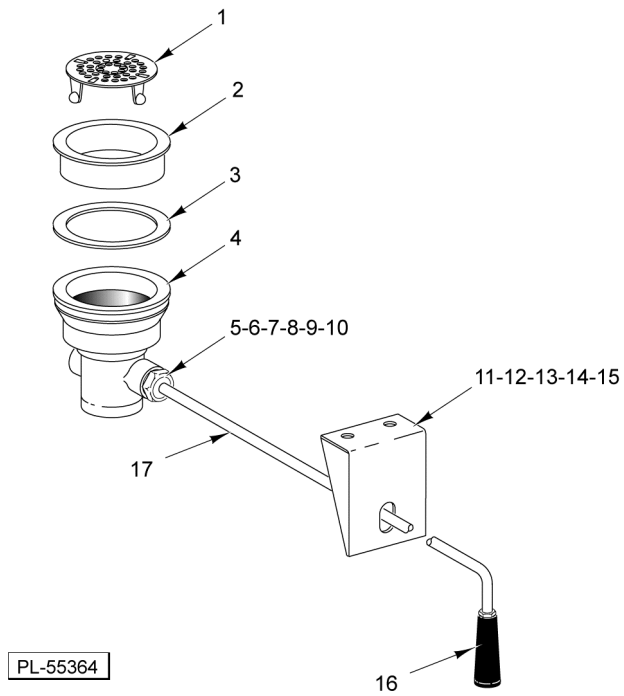
<b>ILLUS.</b>	<b>PART NO.</b>	<b>NAME OF PART</b>	<b>AMT.</b>
PL-55361			
1	00-475911-00005	Strainer - Flat.....	1
2	00-475911-00004	Flange - Face (4-1/2 O.D.).....	1
3	00-475911-00003	Gasket - Head.....	1



**DRAIN UNIT WITHOUT OVERFLOW (KFC)**

**DRAIN UNIT WITHOUT OVERFLOW (KFC)**

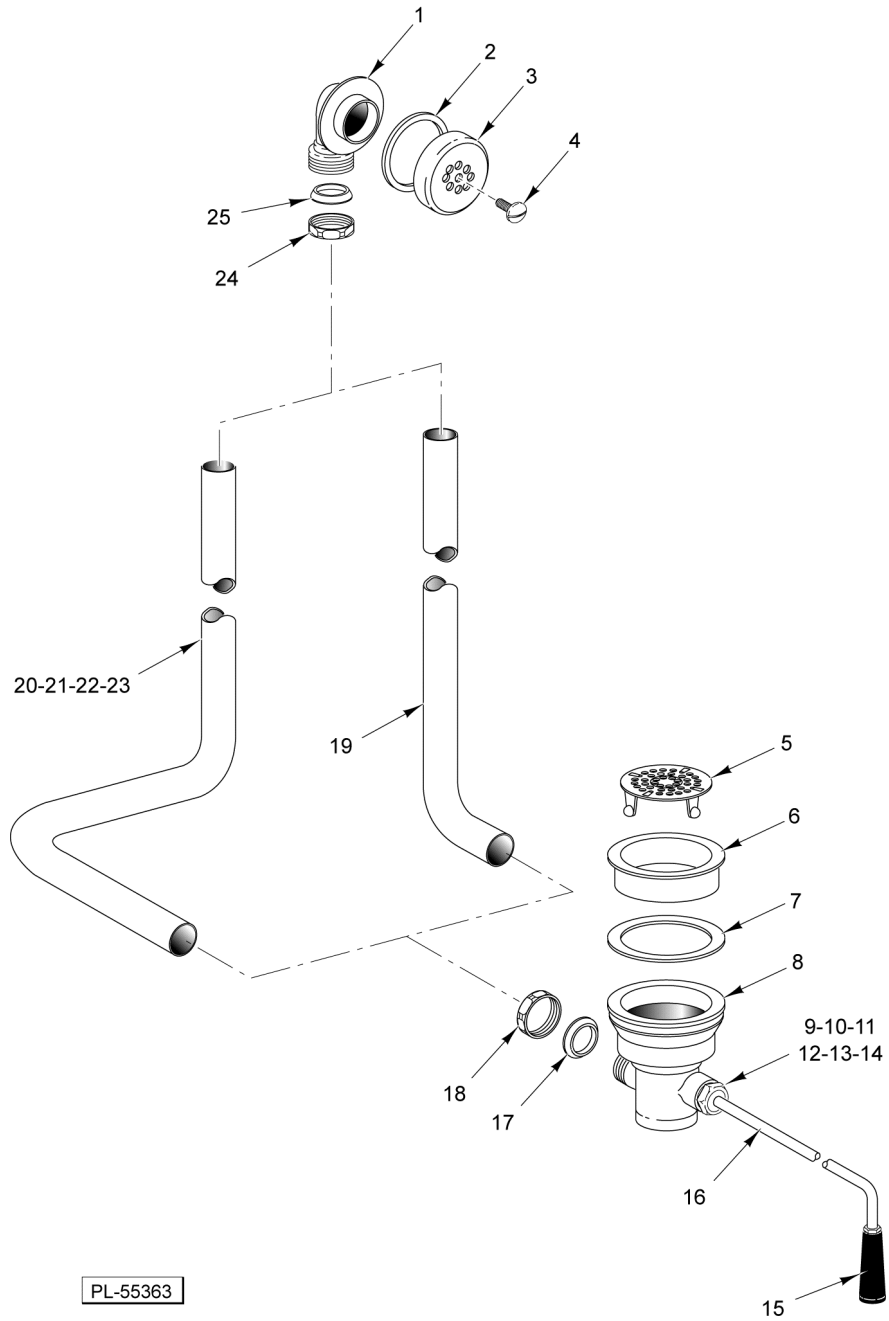
ILLUS.	PART NO.	NAME OF PART	AMT.
PL-55362			
1	00-475912-00003	Strainer - Flat (3-1/2).....	1
2	00-475912-00002	Strainer - Flange (3-1/2).....	1
3	00-475912-00008	Head Gasket & O-Ring (3-1/2).....	1
4	00-475912-00004	Plunger.....	1
5	00-475912-00006	Bushing - Drain.....	1
6	00-475912-00007	Twist Handle Assy.....	1
7	00-475410	Bracket Lever - Drain.....	1
8	00-475411	Bracket Lever - Basket Drain (Use with Sump Option).....	1
9	WL-006-23	Lockwasher 5/16 Helical (SST).....	2
10	NS-025-09	Crown Nut 5/16-18 (SST).....	2
11	WS-017-08	Washer (0.328 x 0.625 x 0.062) (SST).....	2



**DRAIN UNIT WITHOUT OVERFLOW**

**DRAIN UNIT WITHOUT OVERFLOW**

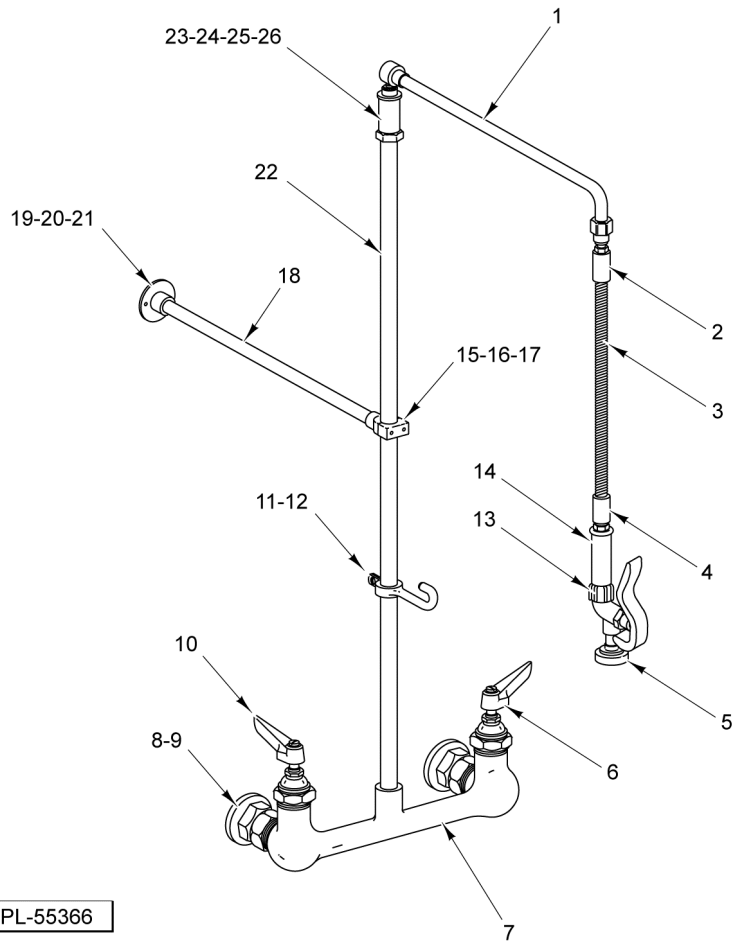
ILLUS. PL-55364	PART NO.	NAME OF PART	AMT.
1	00-475911-00005	Strainer - Flat.....	1
2	00-475911-00004	Flange - Face.....	1
3	00-475911-00003	Gasket - Head.....	1
4	00-913140	Kit - Drain Assy 2" NPS with Overflow Cap (Incls. Items 1, 2, 3, 5 thru 10, 16, & 17) .....	1
5	00-475911-00006	Stem - Valve.....	1
6	00-475911-00007	O-Ring - Stopper.....	1
7	00-475911-00018	Retaining Ring.....	1
8	00-475911-00019	Washer.....	1
9	00-475911-00020	O-Ring.....	1
10	00-475911-00021	Nut - Packing Twist Model.....	1
11	00-475410	Bracket Lever - Drain.....	1
12	00-475411	Bracket Lever - Basket Drain (Use with Sump Option).....	1
13	WS-017-08	Washer (0.328 x 0.625 x 0.062) (SST).....	2
14	WL-006-23	Lockwasher 5/16 Helical (SST).....	2
15	NS-025-09	Crown Nut 5/16-18 (SST).....	2
16	00-475911-00017	Knob.....	1
17	00-475911-00016	Handle Assy. - Twist (Incls. Items 10 & 16).....	1



**DRAIN WITH OVERFLOW (HOBART)**

**DRAIN WITH OVERFLOW (HOBART)**

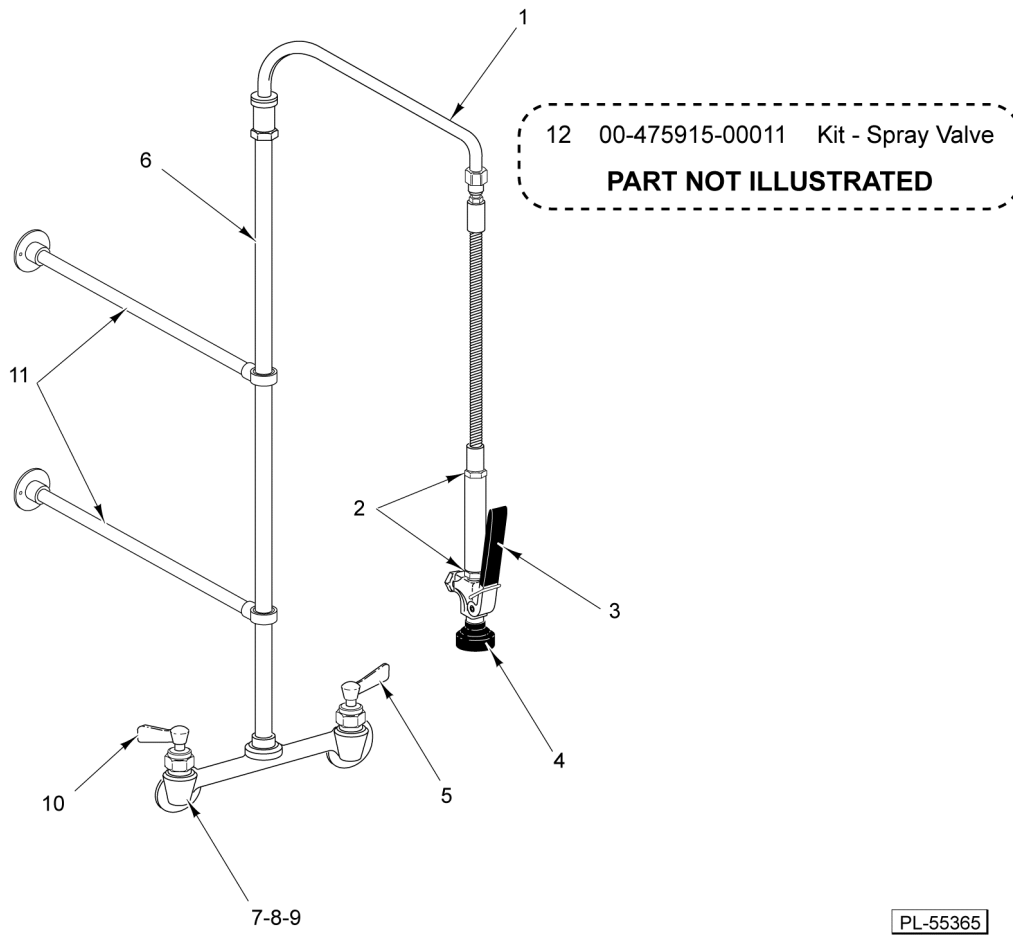
ILLUS. PL-55363	PART NO.	NAME OF PART	AMT.
1	00-475911-00011	Head - Overflow (1-1/4).....	1
2	00-475911-00012	Gasket.....	1
3	00-475911-00014	Strainer.....	1
4	00-475911-00015	Screw - Strainer Mounting.....	1
5	00-475911-00005	Strainer - Flat.....	1
6	00-475911-00004	Flange - Face.....	1
7	00-475911-00003	Gasket - Head.....	1
8	00-913140	Kit - Drain Assy 2" NPS with Overflow Cap (Incls. Items 1, 2, 3, 5 thru 10, 16, & 17) .....	1
9	00-475911-00006	Stem - Valve.....	1
10	00-475911-00007	O-Ring - Stopper.....	1
11	00-475911-00018	Retaining Ring.....	1
12	00-475911-00019	Washer.....	1
13	00-475911-00020	O-Ring.....	1
14	00-475911-00021	Nut - Packing Twist Model.....	1
15	00-475911-00017	Knob.....	1
16	00-475911-00016	Handle Assy. - Twist (Incls. Items 14 & 15).....	1
17	00-475911-00009	Washer - Slip Joint.....	1
18	00-475911-00010	Locknut - Slip Joint.....	1
19	00-475911-00008	Elbow - Overflow (Rinse/Sanitary Sinks Only) (Shown).....	1
20	00-475823-00001	Tube - Overflow Drain (Wash Sink) (Without Wash Strainer) (L-R) (Shown).....	1
21	00-475823-00002	Tube - Overflow Drain (Wash Sink) (Without Wash Strainer) (R-L).....	1
22	00-475823-00003	Tube - Overflow Drain (Wash Sink) (With Wash Strainer) (L-R).....	1
23	00-475823-00004	Tube - Overflow Drain (Wash Sink) (With Wash Strainer) (R-L).....	1
24	00-475911-00010	Locknut - Slip Joint.....	1
25	00-475911-00009	Washer - Slip Joint.....	1



**PRE RINSE SPRAYER  
(1/2 IN.) (KFC)**

**PRE RINSE SPRAYER  
(1/2 IN.) (KFC)**

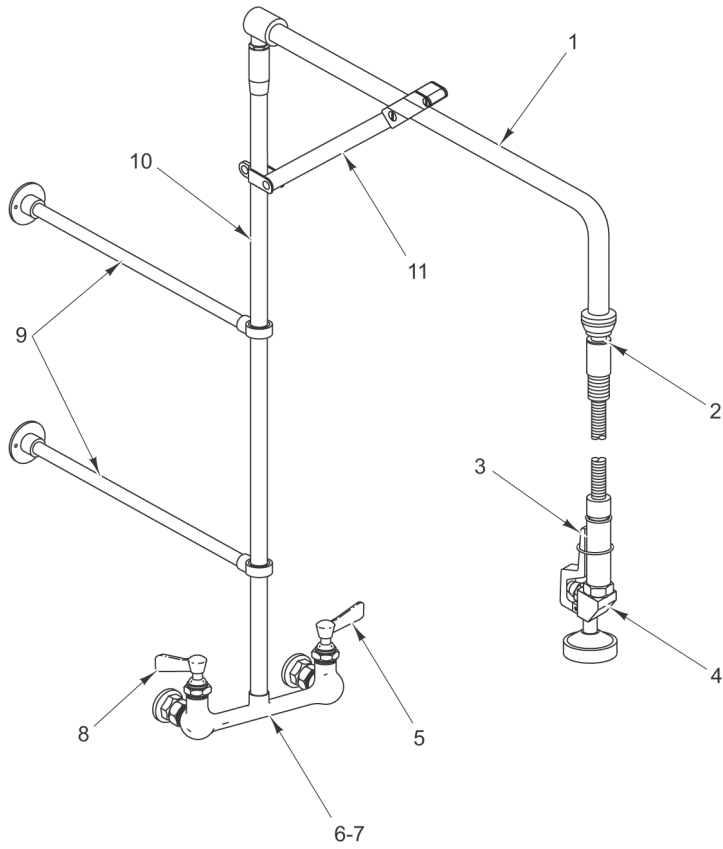
ILLUS. PL-55366	PART NO.	NAME OF PART	AMT.
1	00-475914-00024	Tube - L (12 ).....	1
2	00-475914-00033	Nut - Inlet.....	1
3	00-475914-00003	Hose (SST).....	1
4	00-475914-00032	Washer - Fiber.....	1
5	00-475914-00001	Valve - Spray.....	1
6	00-475914-00023	Spindle Assy. (Cold).....	1
7	00-475914-00005	Faucet (Wall Mounted).....	1
8	00-475914-00006	Coupling - Flange.....	2
9	00-475914-00007	Washer.....	2
10	00-475914-00022	Spindle Assy. (Hot).....	1
11	00-475914-00029	Hook - Finger.....	1
12	00-475914-00030	Screw.....	1
13	00-475914-00002	Washer.....	1
14	00-475914-00031	Handle.....	1
15	00-475914-00015	Screw (Clamp).....	1
16	00-475914-00016	NLA - Obsolete--Clamp (Front).....	1
17	00-475914-00017	NLA - Obsolete--Clamp (Back).....	1
18	00-475914-00021	Pipe.....	1
19	00-475914-00019	Body - Wall Bracket.....	1
20	00-475914-00018	Screw - Mounting.....	1
21	00-475914-00020	Set Screw.....	1
22	00-475914-00004	Riser (26 ).....	1
23	00-475914-00025	Swivel - Hex Nut.....	1
24	00-475914-00026	Stem - Swivel.....	1
25	00-475914-00027	O-Ring.....	1
26	00-475914-00028	Body - Swivel.....	1



**PRE RINSE SPRAYER  
(1/2 IN.)  
(HOBART)  
(FISHER MFG)**

**PRE RINSE SPRAYER  
(1/2 IN.)  
(HOBART)  
(FISHER MFG)**

ILLUS. PL-55365	PART NO.	NAME OF PART	AMT.
1	00-475915-00007	Swivel - Pre-Rinse Assy.....	1
2	00-475915-00008	Gasket.....	2
3	00-475915-00009	Handle - Spray.....	1
4	00-475915-00010	Valve - Spray.....	1
5	00-475915-00012	Kit - Stem Repair (LH).....	1
6	00-475915-00018	Riser.....	1
7	00-475915-00013	Valve - Control.....	1
8	00-475915-00014	Concentrics.....	1
9	00-475915-00015	NLA - Obsolete--Elbow.....	1
10	00-475915-00016	Kit - Stem Repair (RH).....	1
11	00-475915-00017	Bracket - Wall.....	2
12	00-475915-00011	Kit - Spray Valve.....	1

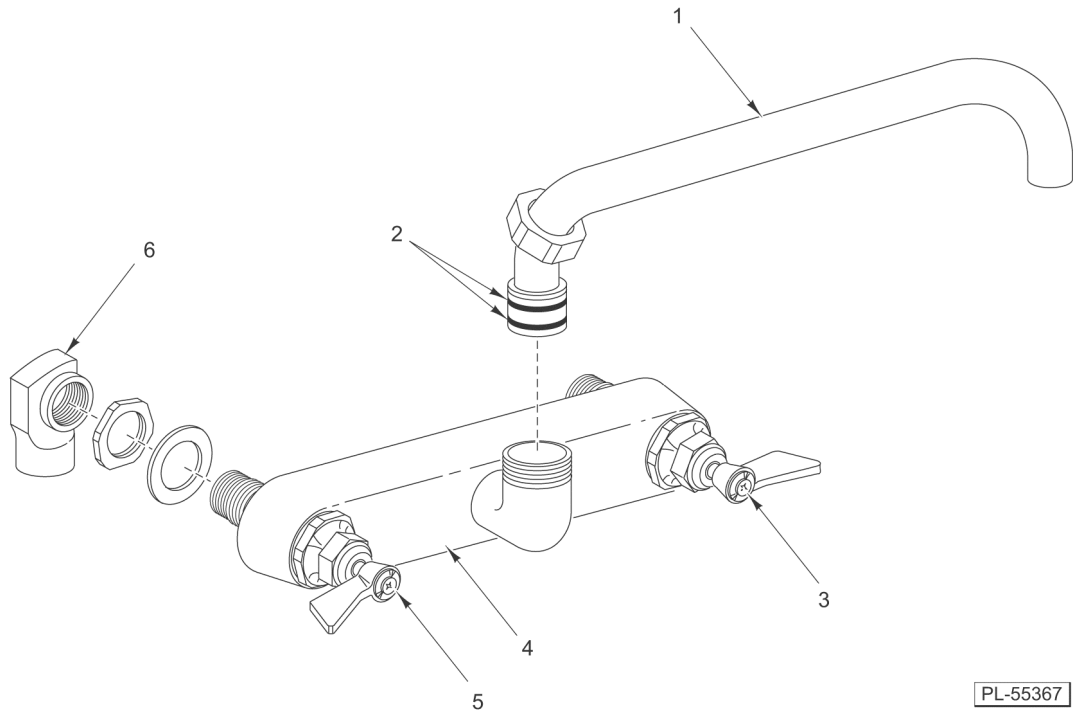


PL-58890

**PRE RINSE SPRAYER  
(1/2 IN.)  
(HOBART)  
(COMPONENT HARDWARE GROUP)**

**PRE RINSE SPRAYER  
(1/2 IN.)  
(HOBART)  
(COMPONENT HARDWARE GROUP)**

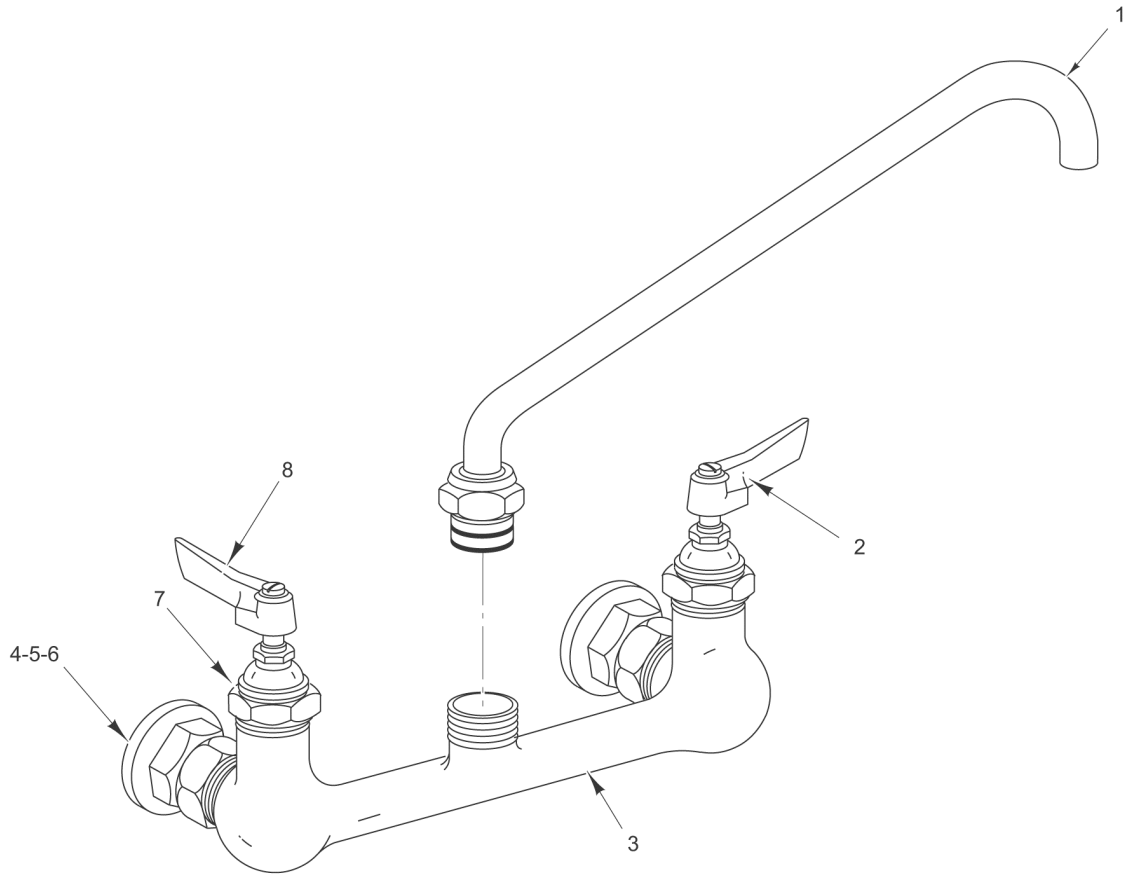
ILLUS. PL-58890	PART NO.	NAME OF PART	AMT.
1	00-475915-00031	Swivel - Arm With Joint.....	1
2	00-475915-00032	Hose - Pre-Rinse.....	1
3	00-475915-00033	Grip.....	1
4	00-475915-00034	Pre-Rinse Assy.....	1
5	00-475915-00037	Cold Valve Assy.....	1
6	00-475915-00038	NLA - Obsolete--Faucet Body Assy.....	1
7	00-475915-00028	NLA - Obsolete--Mounting Kit.....	1
8	00-475915-00036	NLA - Obsolete--Hot Valve Assy.....	1
9	00-475915-00029	Wall Bracket Assy.....	2
10	00-475915-00030	Riser.....	1
11	00-475915-00035	Swivel Arm Bracket.....	1



**MIXING FAUCET  
(3/4 IN.)  
(HOBART)  
(FISHER MFG)**

**MIXING FAUCET  
(3/4 IN.)  
(HOBART)  
(FISHER MFG)**

ILLUS.	PART NO.	NAME OF PART	AMT.
PL-55367			
1	00-475915-00002	Spout - Swivel (3/4) (14 Lg.).....	1
2	00-475915-00003	O-Ring.....	2
3	00-475915-00004	Stem - Swivel (RH).....	1
4	00-475915-00005	Valve - Control.....	1
5	00-475915-00006	Stem - Swivel (LH).....	1
6	00-475915-00001	Elbow - Close 3/4 .....	1

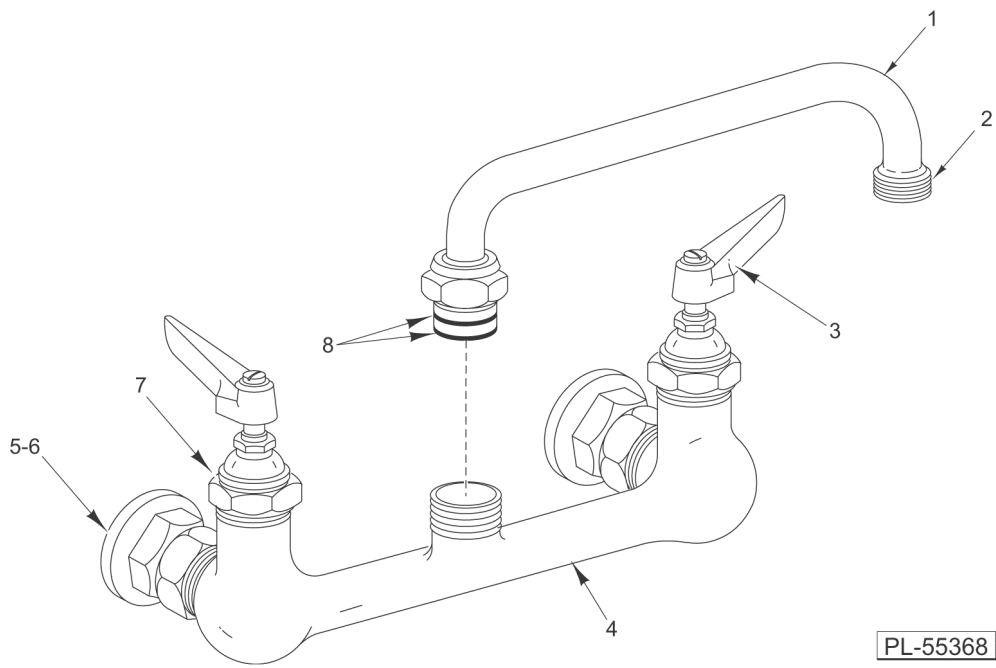


PL-58889

**MIXING FAUCET  
(3/4 IN.)  
(HOBART)  
(COMPONENT HARDWARE GROUP)**

**MIXING FAUCET  
(3/4 IN.)  
(HOBART)  
(COMPONENT HARDWARE GROUP)**

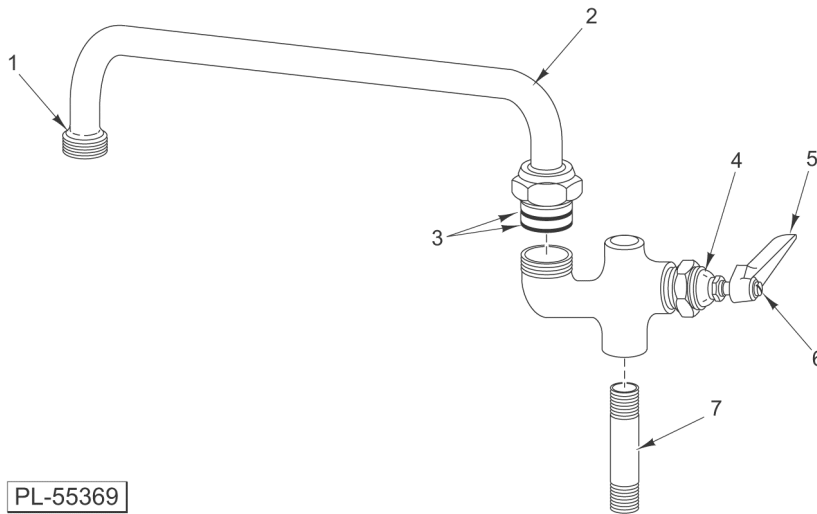
ILLUS. PL-58889	PART NO.	NAME OF PART	AMT.
1	00-475915-00023	Spout Assy. (18 Lg.).....	1
2	00-475915-00026	Cold Valve Assy.....	1
3	00-475915-00027	Faucet Body Assy.....	1
4	00-475915-00020	Mounting Kit.....	2
5	00-475915-00021	Coupling.....	2
6	00-475915-00022	Coupling.....	2
7	00-475915-00024	Designer Handle Kit.....	1
8	00-475915-00025	Hot Valve Assy.....	1



**MIXING FAUCET  
(1/2 IN.) (HOBART)**

**MIXING FAUCET  
(1/2 IN.) (HOBART)**

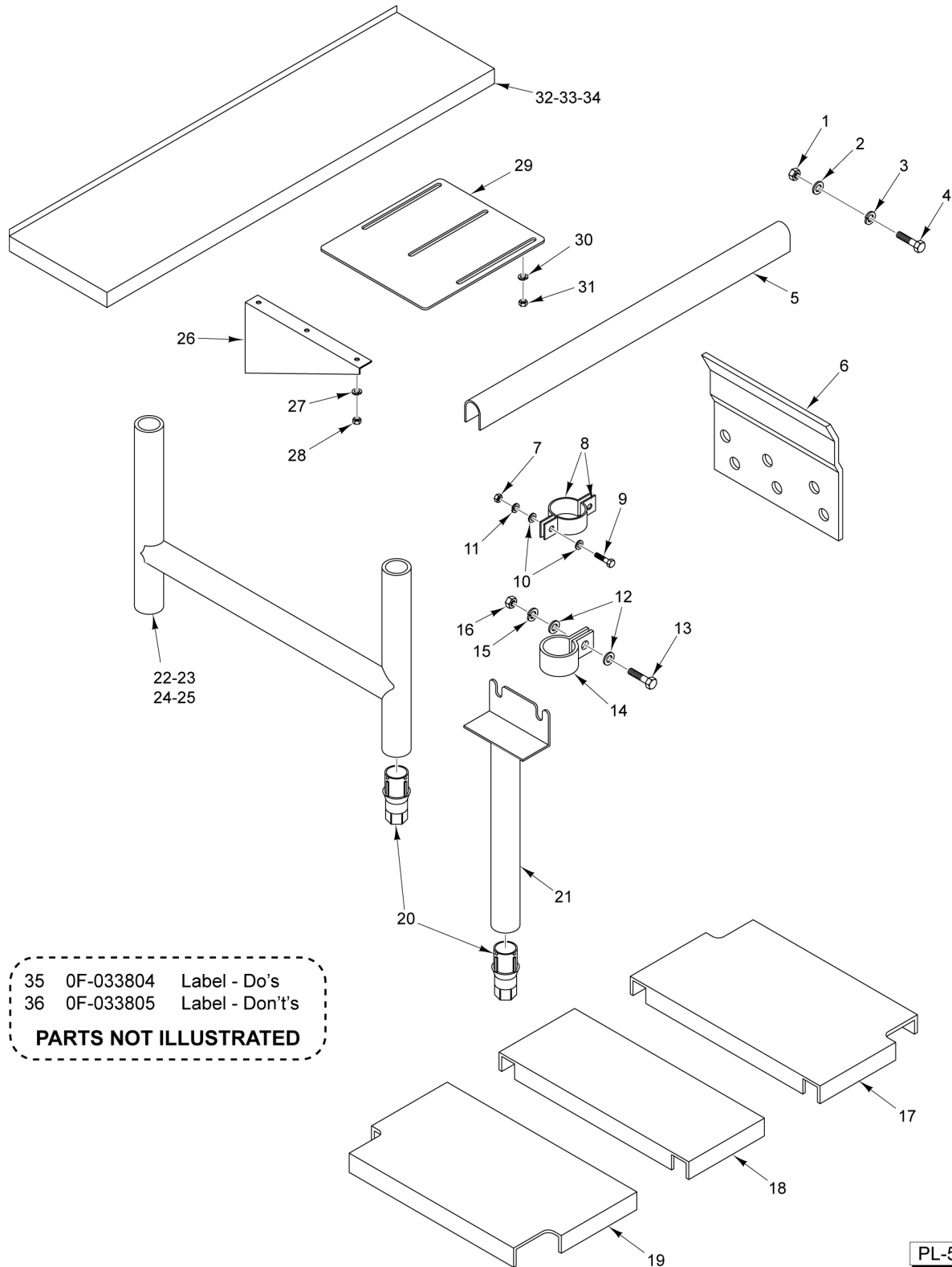
ILLUS.	PART NO.	NAME OF PART	AMT.
PL-55368			
1	00-475914-00008	Nozzle Assy. (12 Swing).....	1
2	00-475914-00009	Regulator - Stream.....	1
3	00-475914-00035	Spindle Assy. (Cold).....	1
4	00-475914-00005	Faucet (Wall Mounted).....	1
5	00-475914-00006	Coupling - Flange.....	2
6	00-475914-00007	Washer.....	2
7	00-475914-00034	Spindle Assy. (Hot).....	1
8	00-475914-00010	O-Ring.....	2



**ADD ON MIXING FAUCET  
(1/2 IN.) (KFC)**

**ADD ON MIXING FAUCET  
(1/2 IN.) (KFC)**

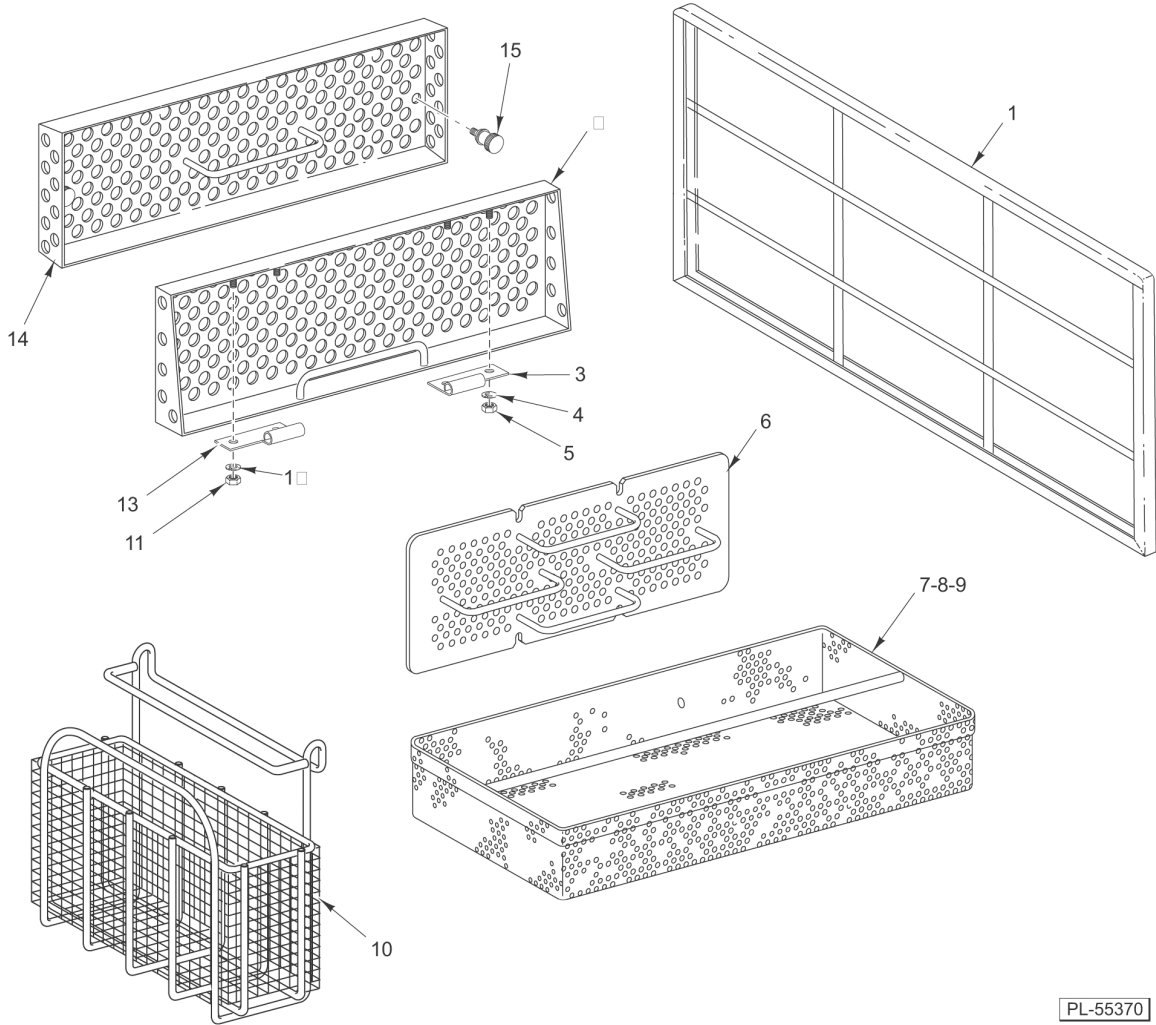
ILLUS.	PART NO.	NAME OF PART	AMT.
PL-55369			
1	00-475914-00009	Regulator - Stream.....	1
2	00-475914-00008	Nozzle Assy. (12 Swing).....	1
3	00-475914-00010	O-Ring.....	2
4	00-475914-00014	Spindle Assy.....	1
5	00-475914-00013	NLA - Obsolete--Handle.....	1
6	00-475914-00012	NLA - Obsolete--Screw.....	1
7	00-475914-00011	NLA - Obsolete--Pipe 3/8 x 3 TBE.....	1



**MISCELLANEOUS**

## MISCELLANEOUS

ILLUS.	PART NO.	NAME OF PART	AMT.
	<b>PL-55459</b>		
1	NS-025-09	Crown Nut 5/16-18 (SST).....	4
2	WS-017-08	Washer (0.328 x 0.625 x 0.062) (SST).....	4
3	WL-006-23	Lockwasher 5/16 Helical (SST).....	4
4	SC-041-10	Cap Screw 5/16-18 x 5/8 Hex Hd. (SST).....	4
5	00-748045	Saddle - Joining Bar.....	1
6	00-475738	NLA - Obsolete--Bracket - Backsplash Retaining.....	3
7	NS-025-09	Crown Nut 5/16-18 (SST).....	2
8	00-475412	Clamp - Crossmember, End.....	AR
9	SC-041-11	Cap Screw 5/16-18 x 3/4 Hex Hd. (SST).....	AR
10	WS-017-08	Washer (0.328 x 0.625 x 0.062) (SST).....	AR
11	WL-006-23	Lockwasher 5/16 Helical (SST).....	2
12	WS-017-08	Washer (0.328 x 0.625 x 0.062) (SST).....	4
13	SC-041-11	Cap Screw 5/16-18 x 3/4 Hex Hd. (SST).....	2
14	00-475412	Clamp - Crossmember End.....	2
15	WL-006-23	Lockwasher 5/16 Helical (SST).....	2
16	NS-025-09	Crown Nut 5/16-18 (SST).....	2
17	00-475610-00001	Shelf - Under End (12 In.).....	1
18	00-475605	Shelf - Under Center.....	AR
19	00-475610-00002	Shelf - Under End (18 In.).....	1
20	00-288946-00002	Foot - Adjustable (1-5/8) (SST).....	AR
21	00-749858	Leg - Pump Support.....	1
22	00-475338-00001	Leg - Weldment Tank (10 In. Deep).....	AR
23	00-475338-00002	Leg - Weldment Scrapper (11 In. Deep).....	1
24	00-475338-00003	Leg - Weldment Drainboard.....	1
25	00-475338-00004	Leg - Weldment Disposer Scrapper (6-1/2 In. Deep).....	1
26	00-475332	Bracket - Shelf.....	AR
27	WS-019-06	Washer.....	AR
28	NS-031-15	Stop Nut 10-24 Hex (SST).....	AR
29	00-748495	Plate - Mounting Overshelf.....	AR
30	WS-019-06	Washer.....	AR
31	NS-031-15	Stop Nut 10-24 Hex (SST).....	AR
32	00-475686-00001	Shelf (4 Ft.).....	1
33	00-475686-00002	Shelf (6 Ft.).....	1
34	00-475686-00003	Shelf (8 Ft.).....	1
35	0F-033804	Label - Do's.....	AR
36	0F-033805	Label - Don't's.....	AR



PL-55370

## BASKETS AND STRAINERS

### BASKETS AND STRAINERS

ILLUS.	PART NO.	NAME OF PART	AMT.
PL-55370			
1	00-475383	Separator (28 In.).....	1
2	00-475742	Strainer - Intake (Inner) (Hobart).....	1
3	00-475370-00005	Hinge - Lift Off (Bottom Without Pin).....	1
4	WL-006-07	Lockwasher #10 Helical (SST).....	2
5	NS-011-18	Nut 10-24 Hex (SST).....	2
6	00-476710	Strainer - Intake (Outer).....	1
7	00-476948	Basket - Scrapper Strainer (20 In.).....	2
8	00-476951	Basket - Scrapper Strainer (36 In.).....	2
9	00-475329	Basket - Wash Sump Strainer.....	1
10	00-476011	Basket - Utensil.....	1
11	NS-011-18	Nut 10-24 Hex (SST).....	2
12	WL-006-07	Lockwasher #10 Helical (SST).....	2
13	00-475370-00002	Hinge - Lift Off (Top Without Pin).....	1
14	00-476627	Strainer - Intake (Inner) (KFC).....	1
15	00-748038	Screw - Captive 1/4-20 (SST) (KFC).....	4

