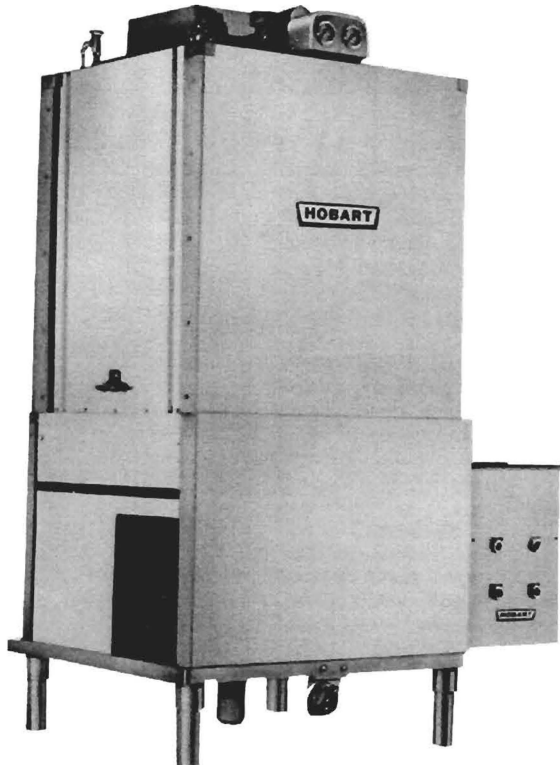


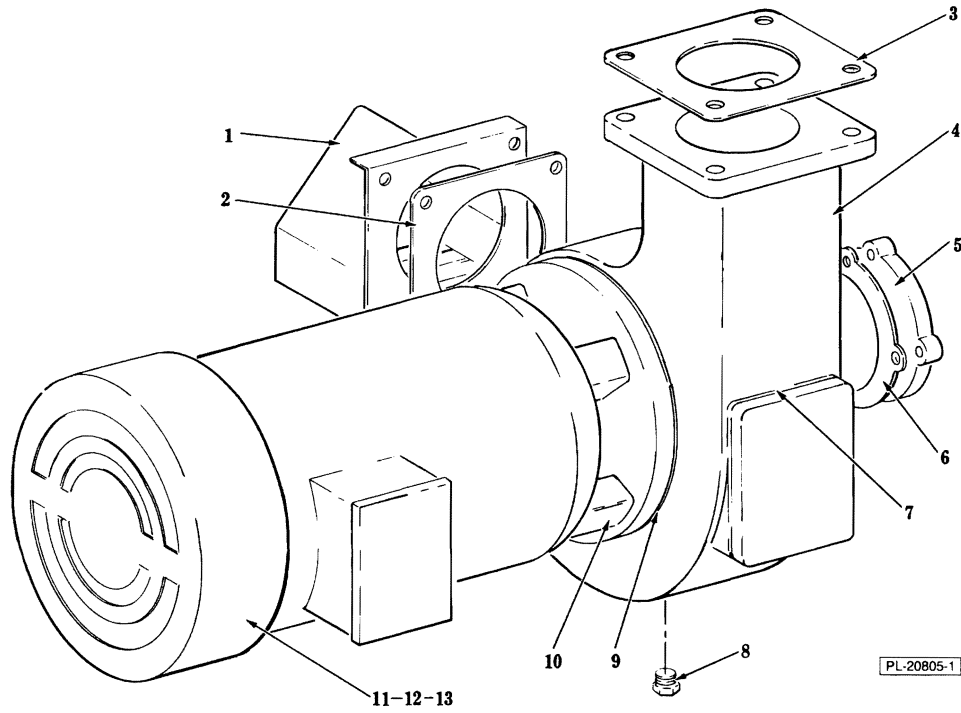


CATALOG OF REPLACEMENT PARTS



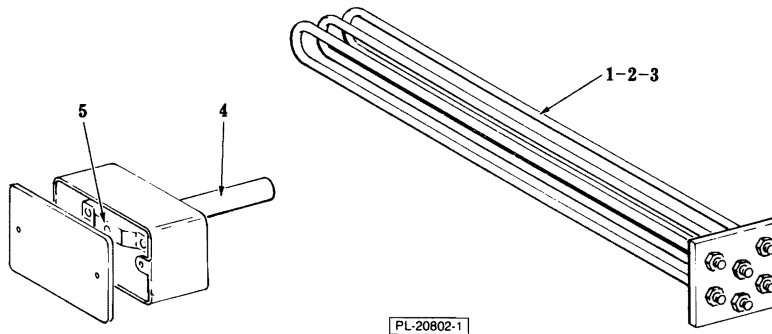
UTENSIL WASHER

UTW28 ML-38639
UTW28C ML-28832



MOTOR AND PUMP

ILLUS. PL-20805-1	PART NO.	NAME OF PART ²⁹	AMT.
1	271423	Strainer - Pump Suction	1
2	271422	Gasket	1
3	271422	Gasket	1
4	271425	Pump Housing Assy. (Incls. items 2, 3, 5, 6, 7, 8 & 9)	1
5	271416	Cover - Clean-Out	1
6	271417	Gasket - Clean-Out	1
7	271421	Gasket - Inspection Cover	1
8	271419	Plug - 1/2" Pipe	1
9	271420	Gasket - Motor Flange	1
10	271427	Flange - Pump Motor	1
11	271426	Motor & Impeller (208/230/460 V.; 3 Ph.) (Incls. items 10, 12 & 13)	1
12	271428	Seal - Pump (Rotating)	1
13	271429	Impeller	1

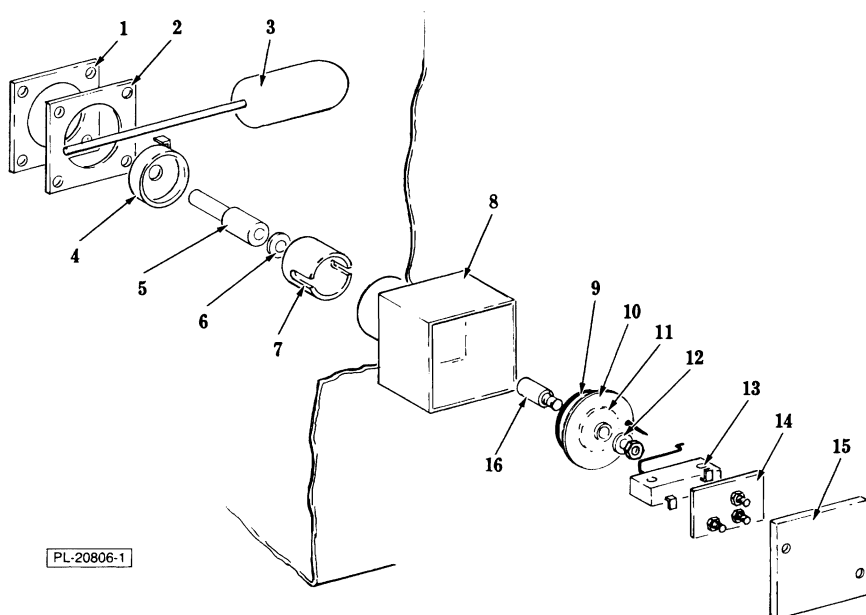


TANK HEAT AND THERMOSTAT

ILLUS. PL-20802-1	PART NO.	NAME OF PART ²⁹	AMT.
1	271430	Heater - Electric (208 V., 5 !KW)	1
2	271431	Heater - Electric (230 V., 5 !KW)	1
3	271432	Heater - Electric (460 V., 5 !KW)	1
4	271433	Housing - Thermostat - Bulb	1
5	271434	Thermostat	1

CONTROL BOX

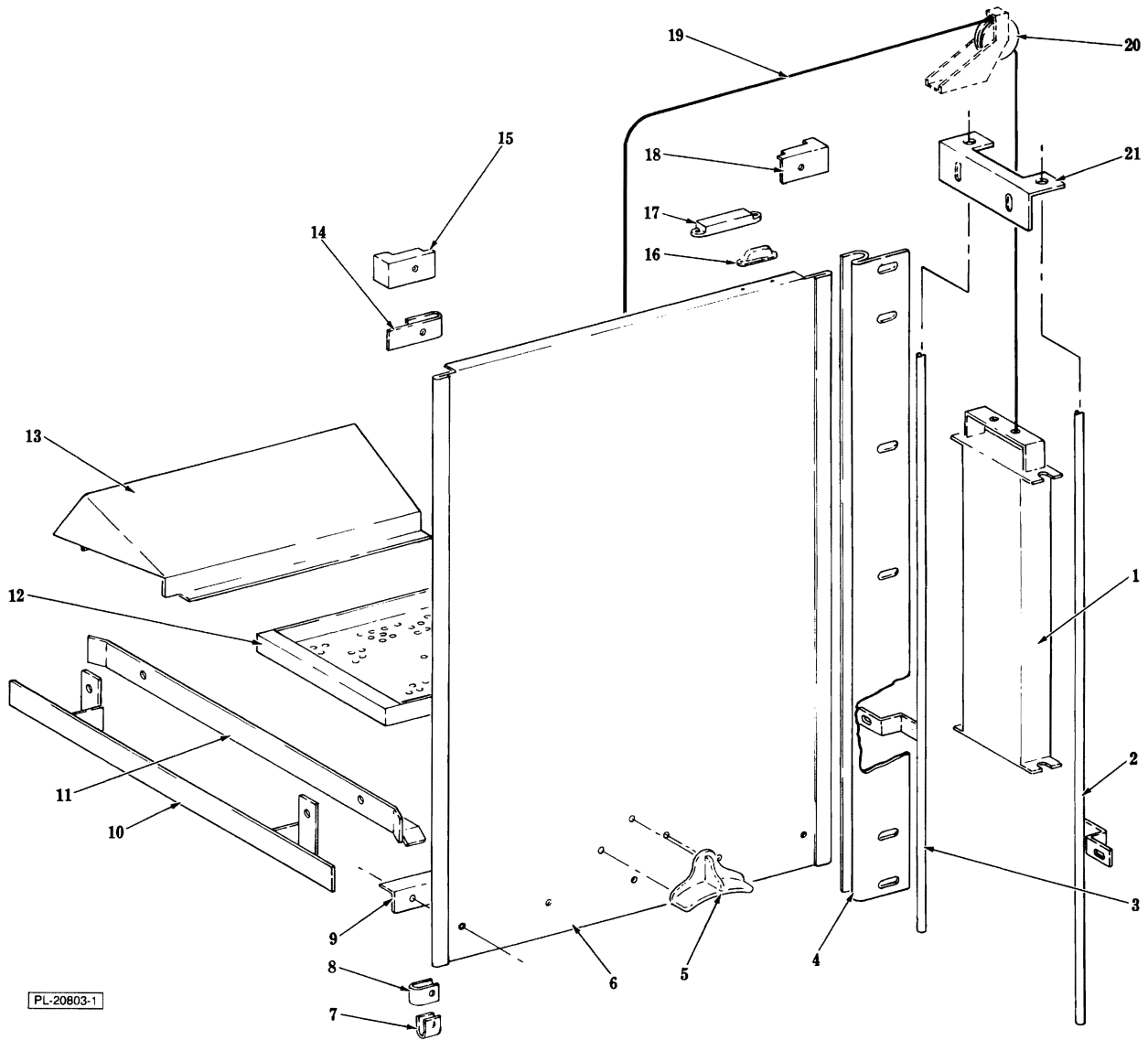
ILLUS. PL-20801-1	PART NO.	NAME OF PART ²⁹	AMT.
1	271477	Label - Tank Heat (On/Off)	1
2	271478	Label - Fill	1
3	271479	Label - Rinse/Off/Wash	1
4	271502	Label - Start	1
5	271482	Button - Black	1
6	271481	Operator - Push Button (Incls. Nut)	1
7	271487	Block - Contact (N.O.)	1
8	271516	Push Button Contactor Assy. (Incls. items 5, 6 & 7)	1
9	271486	Insert - !Knob (White)	1
10	271485	!Knob - Black	1
11	271484	Operator - 3 Position (Incls. Nut)	1
12	271487	Block - Contact (N.O.)	2
13	271480	Block - Contact (N.C.)	1
14	271483	3 Position Contactor Assy. (Incls. items 9, 10, 11, 12 & 13)	1
15	271482	Button - Black	1
16	271481	Operator - Push Button (Incls. Nut)	1
17	271487	Block - Contact (N.O.)	1
18	271516	Push Button Contactor Assy. (Incls. items 15, 16 & 17)	1
19	271488	Operator - 2 Position (Incls. Nut)	1
20	271487	Block - Contact (N.O.)	1
21	271514	2 Position Contactor Assy. (Incls. items 19 & 20)	1
22	271503	Label - Pilot Light (Give Description)	AR
23	271517	Pilot Light - Red (208/230 V.)	4
24	271533	Pilot Light - Red (115 V.)	4
25	271518	Control Box & Lid	1
26	271528	Clip - Retaining	4
27	271489	Timer - Adjustable (512 Sec.) (208/230 V.)	2
28	271501	Timer - Adjustable (512 Sec.) (115 V.)	2
29	271527	Socket - Timer	2
30	271526	Contactator - 3 Pole Fusible (208/230 V., 40 Amp.)	1
31	271531	Contactator- 3 Pole Fusible (115 V., 40 Amp.)	1
32	271525	Plate - Control Mounting	1
33	271523	Socket - Relay	3
34	271524	Lug - Grounding	2
35	271522	Clip - Relay	3
36	271476	Relay - 208/230 V. (2 N.O., 2 N.C.)	3
37	271530	Relay - 115 V. (2 N.O., 2 N.C.)	3
38	271521	End Section - #530 Terminal	1
39	271520	Terminal - #524 (Single Section)	6
40	271519	Contactator - 3 Pole (208/240 V., 30 Amp.)	1
41	271529	Contactator - 3 Pole (115 V., 30 Amp.)	1
42	271490	Fuse - 35 Amp. (208/24 V.)	3
43	271532	Fuse - 30 Amp. (115 V.)	3
	271500	Transformer - Stepdown (460 to 115 V.)	1



FLOAT AND SWITCH

FLOAT AND SWITCH

ILLUS. PL-20806-1	PART NO.	NAME OF PART ²⁹	AMT.
1	271436	Plate - Pressure	1
2	271437	Gasket	1
3	271438	Float	1
4	271451	Cover - Float Switch Magnet	1
5	271439	Shaft - Float	1
6	271448	Washer	1
7	271440	Magnet	1
8	271441	Housing - Float Switch	1
9	271449	Magnet (Rotor)	1
10	271442	Arm - Rotor	1
11	271448	Washer	1
12	271447	Bearing - Pivot	1
13	271443	Micro Switch	1
14	271444	Plate - Switch Mounting	1
15	271446	Cover - Float Switch	1
16	271450	Pin - Rotor Pivot	1
	271445	Micro Switch & Plate Assy. (Incls. items 14 & 15)	1
	271435	Float Switch Complete (Incls. items 1 thru 16)	1

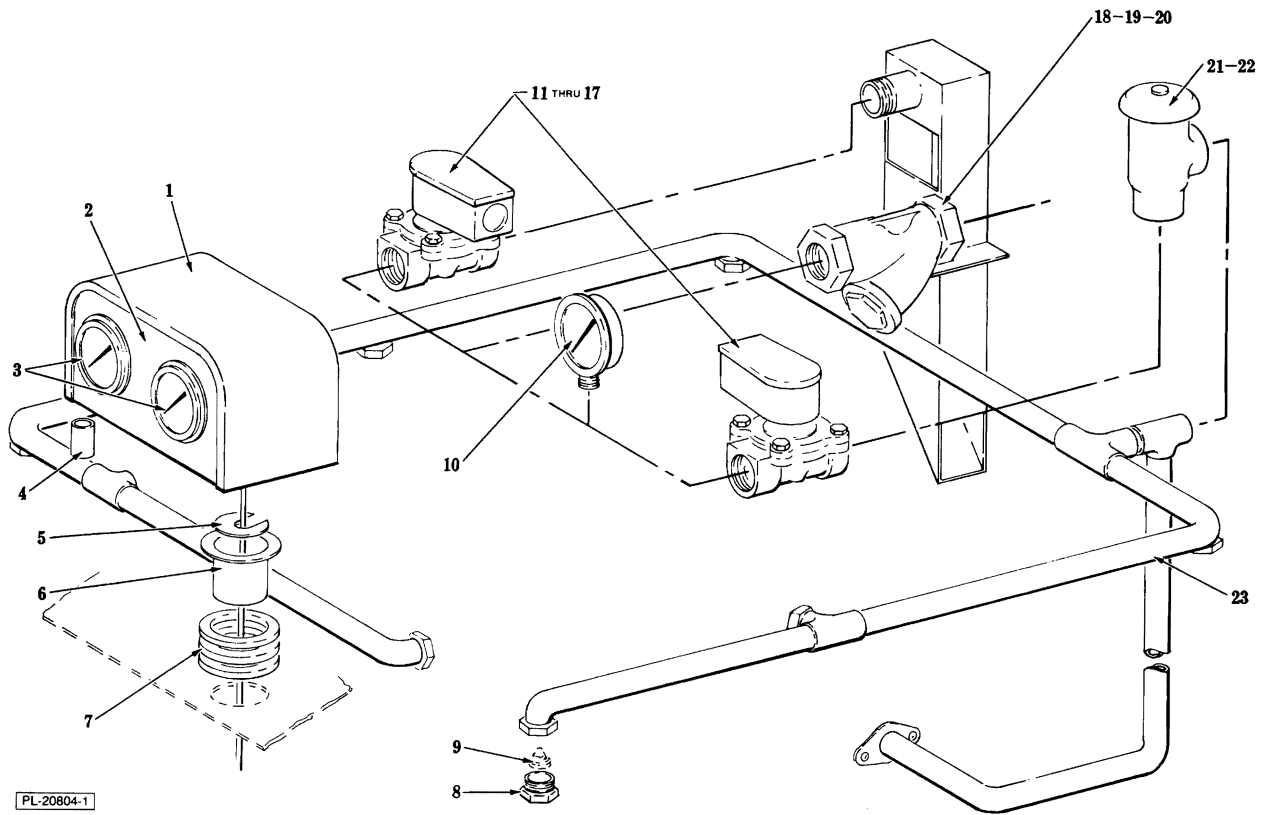


PL-20803-1

DOORS AND TRACK

DOORS AND TRACK

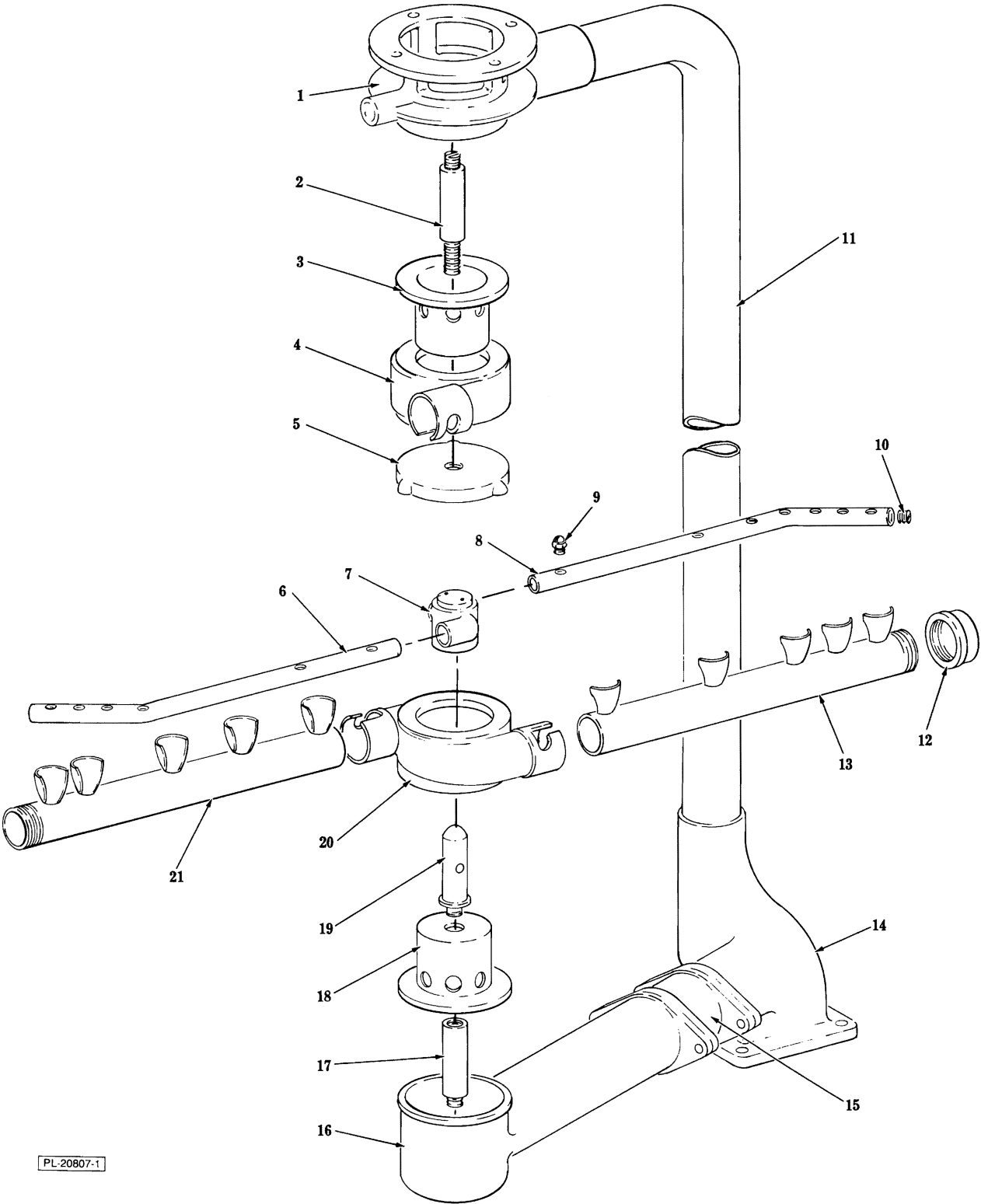
ILLUS. PL-20803-1	PART NO.	NAME OF PART ²⁹	AMT.
1	271377	Counter-Weight - Door	1
2	271378	Rod - Weight Guide (L.H.)	1
3	271379	Rod - Weight Guide (R.H.)	1
4	271496	Guide - Door (Adjustable)	4
5	271381	Handle - Door	2
6	271372	Door	2
7	271498	Retainer - Lower Slide	4
8	271499	Insert - Door Slide (Bottom) (Teflon)	4
9	271373	Angle - Door	2
10	271365	Support - Track	2
11	271366	Track	2
12	271367	Pan - Strainer	2
13	271492	Spacer - Tank	1
14	271497	Insert - Door Slide (Upper) (Teflon)	4
15	271494	Retainer - Teflon Insert (R.H. Front, L.H. Rear)	2
16	271491	Magnet & Housing Assy. (Door Interlock)	1
17	271493	Reed Switch Assy. (Door Interlock)	1
18	271495	Retainer - Teflon Insert (R.H. Rear, L.H. Front)	2
19	271374	Door Cable Assy	2
20	271376	Sheave (Wheel Only)	4
21	271380	Bracket - Rod Support	1
	271368	Panel - Front Motor	1



THERMOMETERS, FILL AND UPPER RINSE

THERMOMETERS, FILL AND UPPER RINSE

ILLUS. PL-20804-1	PART NO.	NAME OF PART ²⁹	AMT.
1	271452	Cover - Thermometer Housing	1
2	271453	Housing - Thermometer	1
3	271458	Thermometer	2
4	271454	Legs - Stand-Off	4
5	271457	Washer - Sealing Cup	1
6	271456	Cup - Sealing (Thermometer Housing)	1
7	271455	Washer - Cup (Rubber)	3
8	271415	Sprayer - Upper Rinse	7
9	271414	Diverter - Rinse Sprayer	7
10	271406	Gauge - Pressure (0-100 p.s.i.)	1
11	270329-2	Solenoid Valve 3/4 (Piston, Gray Cover) (208/230 V.) (Incls. Coil)	2
12	270329-1	Solenoid Valve 3/4 (Piston, Gray Cover) (115 V.) (Incls. Coil)	2
13	270318-2	Coil - 3/4" Solenoid Valve (Piston, Gray Cover) (208/230 V.)	2
14	270318-1	Coil - 3/4" Solenoid Valve (Piston, Gray Cover) (115 V.)	2
15	270336	Repair Kit - 3/4" Solenoid Valve (Piston)	AR
16	270337-2	Top Half Conversion Kit (Diaphragm to Piston Valve) (208/230 V.)	AR
17	270337-1	Top Half Conversion Kit (Diaphragm to Piston Valve) (115 V.)	AR
18	271403	Line Strainer 3/4" (Incls. items 19 & 20)	1
19	271404	Screen - 3/4" Line Strainer	1
20	271405	"O" Ring - 3/4" Line Strainer	1
21	271402	Vacuum Breaker 3/4"	1
22	271475	Repair Kit - Vacuum Breaker	1
23	271401	Upper Rinse Line Assy	1

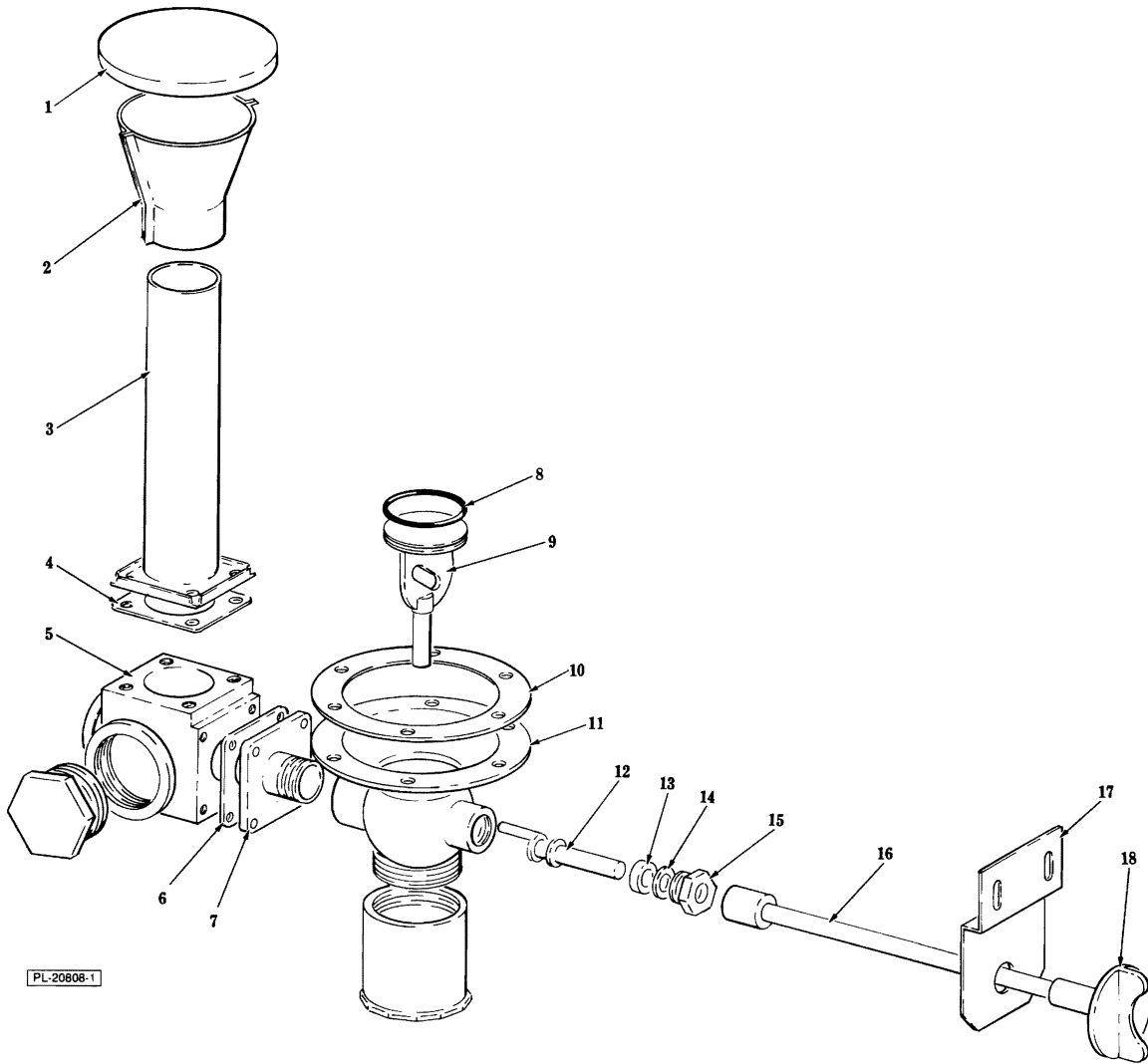


PL-20807-1

WASH AND LOWER RINSE

WASH AND LOWER RINSE

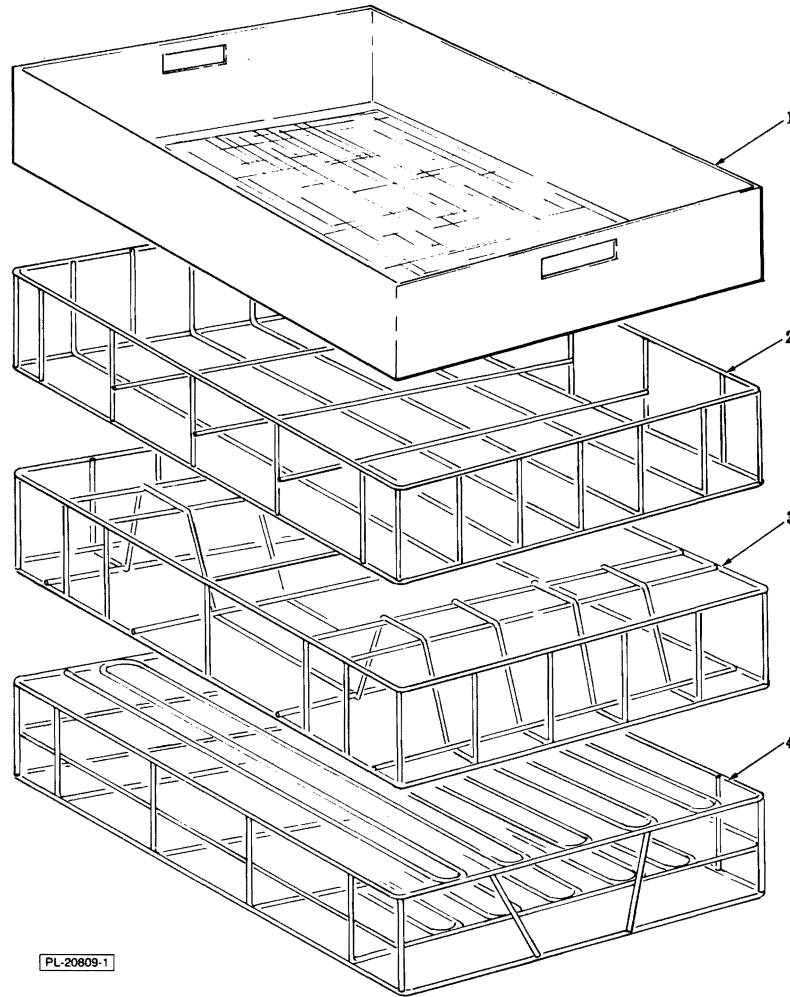
ILLUS. PL-20807-1	PART NO.	NAME OF PART ²⁹	AMT.
1	271384	Tee - Upper Wash Arm	1
2	271396	Pin - Upper Wash	1
3	271388	Cage - Wash Arm Bearing	1
4	271385	Hub - Wash Arm	1
5	271389	Nut - Thrust Lock	1
6	271391	Rinse Arm (6 Sprayers)	1
7	271390	Hub - Revolving Rinse	1
8	271392	Rinse Arm (7 Sprayers)	1
9	271393	Sprayer - Rinse	13
10	271394	Plug - Rinse Arm End	2
11	271383	Standpipe - Wash	1
12	271387	Cap - Wash Arm End	2
13	271386	Wash Arm - #2 (One Upper, One Lower)	2
14	271382	Tee - Standpipe	1
15	271400	Coupling - Lower Wash Flanged	1
16	271399	Elbow - Lower Wash Arm	1
17	271398	Pin - Lower Wash Arm	1
18	271388	Cage - Wash Arm Bearing	1
19	271395	Pin - Lower Rinse	1
20	271385	Hub - Wash Arm	1
21	271424	Wash Arm - #1 (One Upper, One Lower)	2



DRAIN AND OVERFLOW

DRAIN AND OVERFLOW

ILLUS. PL-20808-1	PART NO.	NAME OF PART ²⁹	AMT.
1	271474	Cover - Overflow Funnel	1
2	271473	Funnel - Overflow	1
3	271472	Standpipe - Overflow	1
4	271470	Gasket - Flange	1
5	271469	Tee - Overflow/Drain	1
6	271470	Gasket - Flange	1
7	271471	Adapter - Drain Connection	1
8	271467	"O" Ring	1
9	271466	Valve & Stem	1
10	271465	Gasket- Waste Valve	1
11	271464	Body - Waste Valve	1
12	271463	Cam - Eccentric Lift	1
13	271462	Packing	1
14	271461	Ring - Packing Pressure	1
15	271460	Nut - Packing	1
16	271371	Shaft - Cross-Over	1
17	271370	Bracket - Drain Handle	1
18	271369	Handle - Drain Valve	1
	271468	Overflow/Drain Tee Assy. (Incls. items 1 thru 7)	1
	271459	Waste Drain Valve Assy. (Incls. items 8 thru 15)	1



RACKS

ILLUS. PL-20809-1	PART NO.	NAME OF PART ²⁹	AMT.
1	271364	Rack - Cutlery	1
2	271363	Rack - General Utility	1
3	271362	Rack - Counter Pan	1
4	271361	Rack - Pie Tin	1