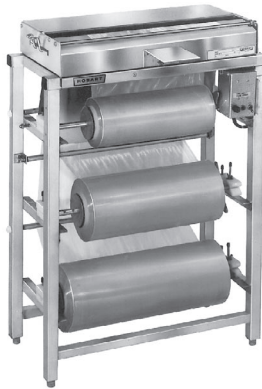




# CATALOG OF

# REPLACEMENT PARTS



## W32/W32C/625A WRAP STATION

W32  
W32C  
625A  
HP

ML-44103, ML-26320  
ML-44105, ML-26331  
ML-44069  
ML-26243

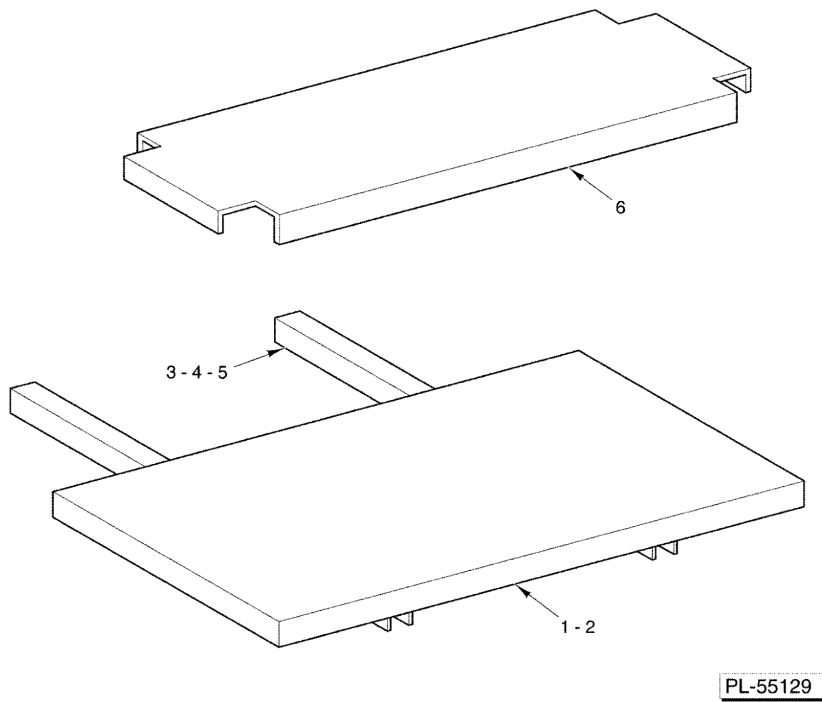


MODELS 625A, HP, W32, W32C W32 / W32C (WRAP STATIONS) (ML's 26320, 2633144103, 44105, 44069, 26243).  
REPLACEMENT PARTS

---

### **Table of Contents**

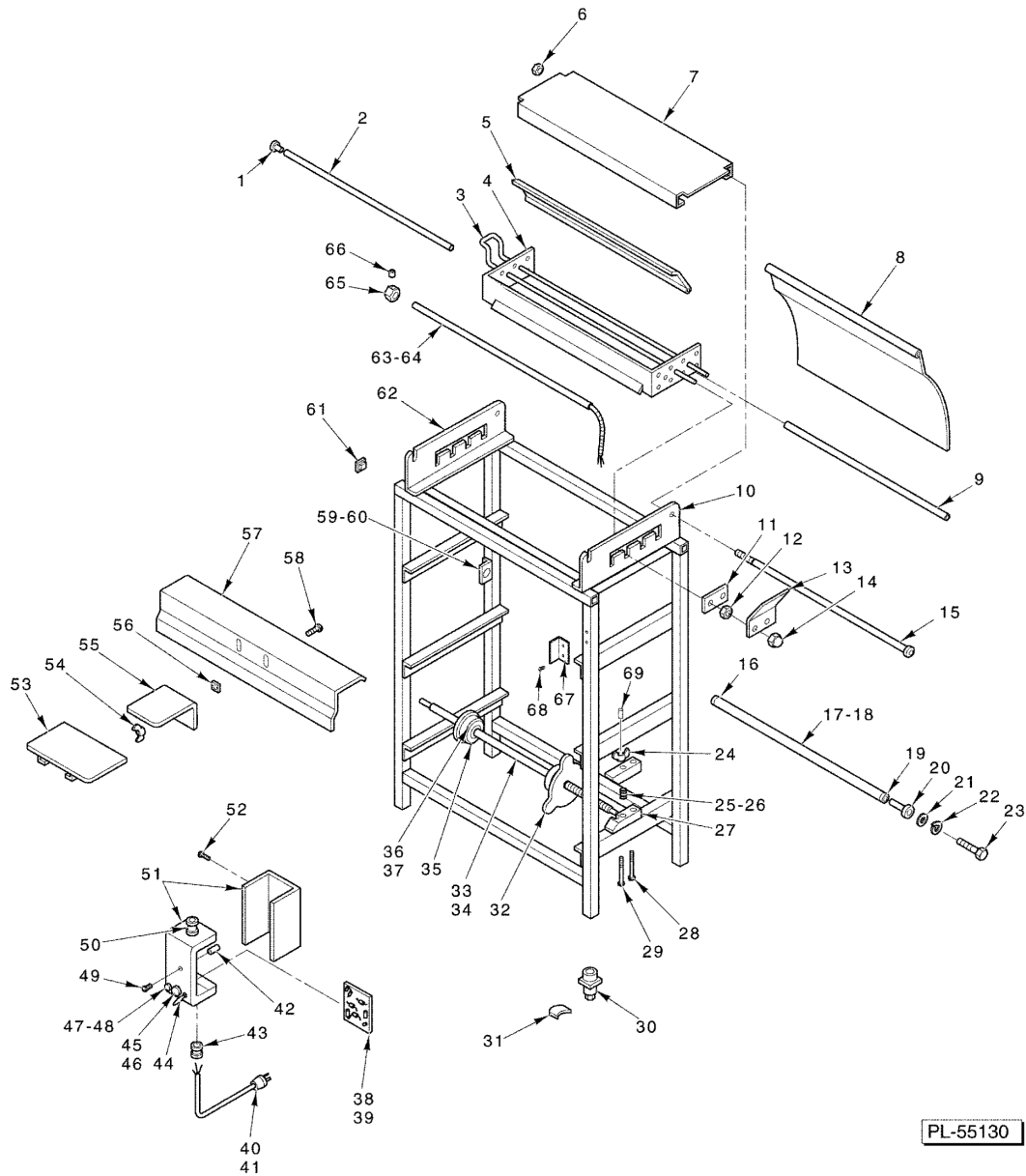
5	SHELF AND BRIDGE
7	W32 WRAP STATION
11	HOT PLATE AND HANDLE UNIT
13	HOT PLATE BASE AND ELECTRICAL
15	W32C WRAP STATION
17	W32C HOT PLATE UNIT
19	W32C CONTROL BOX UNIT
21	625A WRAP STATION
23	625A HOT PLATE UNIT
25	625A CONTROL BOX UNIT
27	MISCELLANEOUS



### SHELF AND BRIDGE

**SHELF AND BRIDGE**

ILLUS.	PART NO.	NAME OF PART	AMT.
PL-55129			
1	00-133297	Shelf (Incls. Items 3, 4, & 5) (W32).....	1
2	00-134570	Shelf (Incls. Items 3, 4, & 5) (W32C).....	1
3	00-133282	Support.....	2
4	SC-118-20	Cap Screw 1/4-20 x 1/2 Hex Hd.....	4
5	NS-013-02	Nut 1/4-20 Hex.....	4
6	00-130578	Bridge - Center (W32).....	1



### W32 WRAP STATION

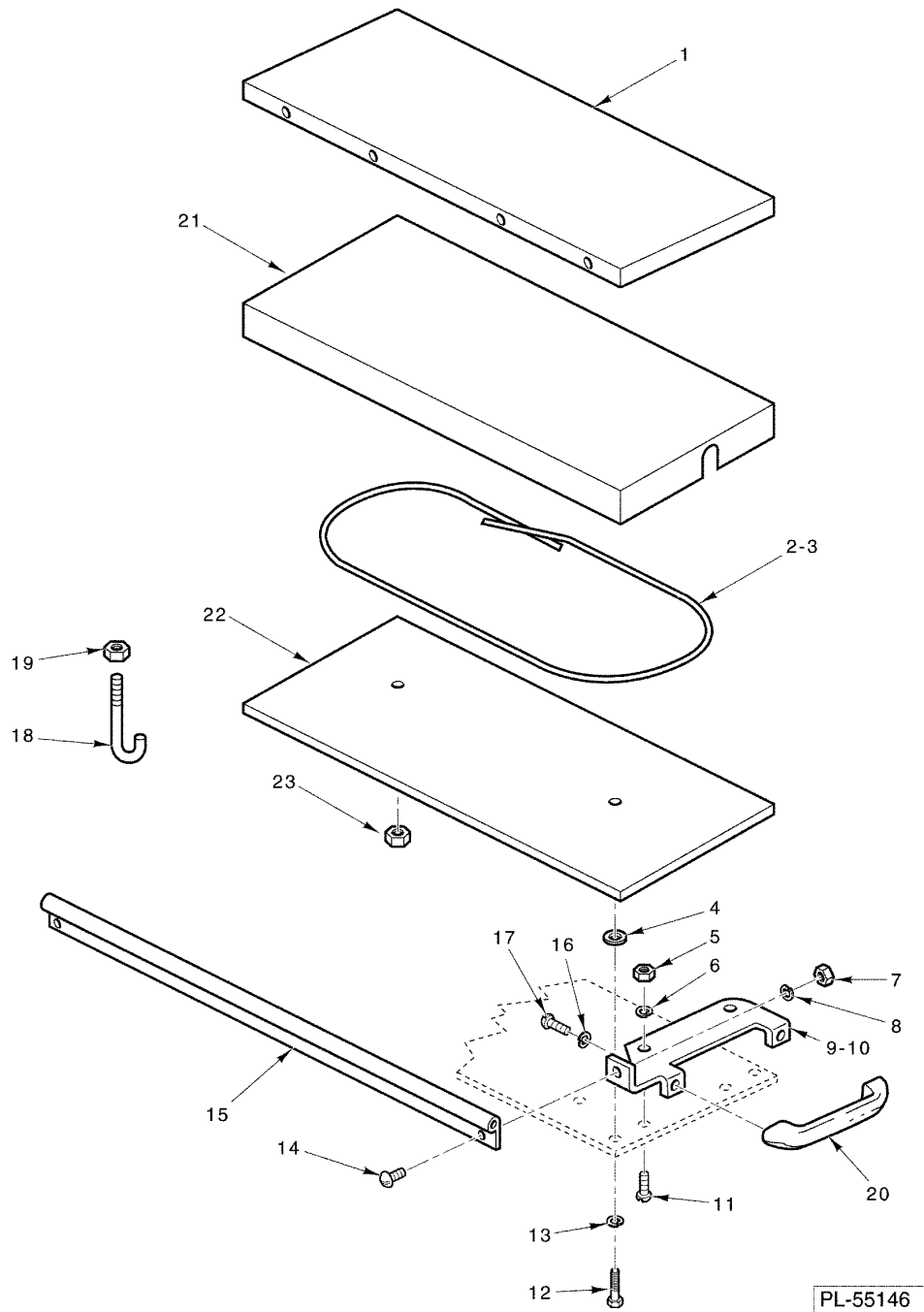
**W32 WRAP STATION**

ILLUS. PL-55130	PART NO.	NAME OF PART	AMT.
1	00-130445-00017	Bushing - Roller.....	10
2	00-130445-00020	Roller 3/8 x 2 1/2 .....	5
3	00-130445-00012	Selector - Hairpin.....	1
4	00-130445-00015	Frame - Selector.....	1
5	00-130445-00016	Retainer - Film.....	3
6	NS-024-19	Acorn Nut 1/4-20.....	1
7	00-130445-00018	Plate - Top.....	1
8	00-130445-00042	Separator - Film.....	2
9	00-130445-00021	Rod - Hinge (Selector).....	3
10	00-132654-00015	Plate - Side (RH).....	1
11	00-132654-00018	Strip - Hairpin Guard.....	1
12	NS-013-02	Nut 1/4-20 Hex.....	2
13	00-130445-00024	Handle - Selector.....	1
14	NS-024-19	Acorn Nut 1/4-20.....	2
15	00-130445-00019	Rod - Hinge (Bridge).....	1
16	00-130445-00026	Bushing - Guide Roller (Bronze).....	4
17	00-132654-00019	Roller - Film Guide (21 1/2" Long).....	4
18	00-132654-00020	Roller - Film Guide (21 1/4" Long).....	4
19	00-130445-00028	Bushing - Guide Roller.....	4
20	00-132654-00016	Shaft - Stub Nut.....	8
21	WS-017-25	Washer.....	8
22	WL-003-38	Lockwasher 1/4 Helical.....	8
23	SC-062-69	Cap Screw 1/4-20 x 1-3/4 Hex Hd.....	8
24	NS-028-11	Wing Nut 1/4-20 Type A.....	12
25	00-130445-00033	Spring - Bearing Block.....	6
26	00-132654-00021	Ground Strap (Brass).....	3
27	00-334247	Block - Bearing (Incls. Upper & Lower Blocks for LH & RH).....	3
28	SC-081-78	Mach. Screw 1/4-20 x2 1/2 Rd. Hd.....	6
29	SC-081-26	Mach. Screw 1/4-20 x 3 1/2 Rd. Hd.....	6
30	00-333167	Foot - Adjustable.....	4
31	00-333117	Anchor - Floor.....	4
32	00-130445-00041	Cap - Adjustable End 3".....	3
33	00-130445-00040	Axle - Film Mounting (22" Long).....	3
34	00-046604	Axle - Film Mounting (24" Long).....	3
35	00-130445-00038	Cap - Fixed End 3" (Incls. Items 36 & 37).....	3
36	00-130445-00039	Pin.....	3
37	00-030929	O-Ring.....	3
38	00-132654-00006	Circuit Board (115 V.).....	1
39	00-132654-00013	Circuit Board (220 V.).....	1
40	00-130445-00001	Cord & Plug (115 V.).....	1
41	00-130445-00048	Cord & Plug (220 V.).....	1
42	00-334626	Spacer - Standoff.....	4
43	FE-016-31	Bushing - Cord.....	1
44	00-130445-00004	Switch.....	1
45	00-132654-00004	Light - Pilot (115 V.).....	1
46	00-130445-00050	Light - Pilot (220 V.).....	1
47	FE-016-40	Fuse - 1 Amp.....	1
48	00-030991	Holder - Fuse.....	1
49	SD-037-24	Self-Tapping Screw 6-32 x 1/4 Phil. Pan Hd., Type T.....	8
50	00-132654-00010	Fitting - Electrical.....	1
51	00-132654-00001	Control Box Assy.....	1
52	SD-017-39	Self-Tapping Screw 8-18 x 1/2 Slotted Rd. Hd., Type AB.....	4
53	00-127820-00051	Rest - Extended Package.....	1
54	00-127820-00054	Wing Nut 10-24.....	2
55	00-127820-00050	Rest - Package.....	1

### W32 WRAP STATION

ILLUS.	PART NO.	NAME OF PART	AMT.
<b>PL-55130</b>			
56	00-130445-00061	Speed Nut 10-24.....	2
57	00-130445-00043	Plate - Front.....	1
58	SC-009-25	Mach. Screw 10-24 x 5/8 Slotted Rd. Hd.....	2
59	00-132654-00017	Bracket.....	2
60	SD-027-14	Self-Tapping Screw 8-16 x 1/2 Pan Hd., Plastite.....	4
61	00-130445-00054	Plug - End.....	4
62	00-132654-00005	Plate - Side (LH).....	1
63	00-134429	Round Rod - Hot (115 V.).....	1
64	00-134431	Round Rod - Hot (220 V.).....	1
65	00-134430	Collar.....	1
66	SC-047-74	Set Screw 8-32 x 1/4 Hex Cup Pt.....	1
67	00-044652	Shield - Electrical Box.....	1
68	SD-027-14	Self-Tapping Screw 8-16 x 1/2 Pan Hd., Plastite.....	2
69	00-441680-00001	Cap - Rubber.....	12
	00-134309	Kit - Round Hot Rod (Incls. Items 63, 65, & 66).....	1
	00-131590	Kit - Round Hot Rod Conversion (Incls. Items 38, 40, 42, 45, 47-52, 63, 65, & 66) .....	1

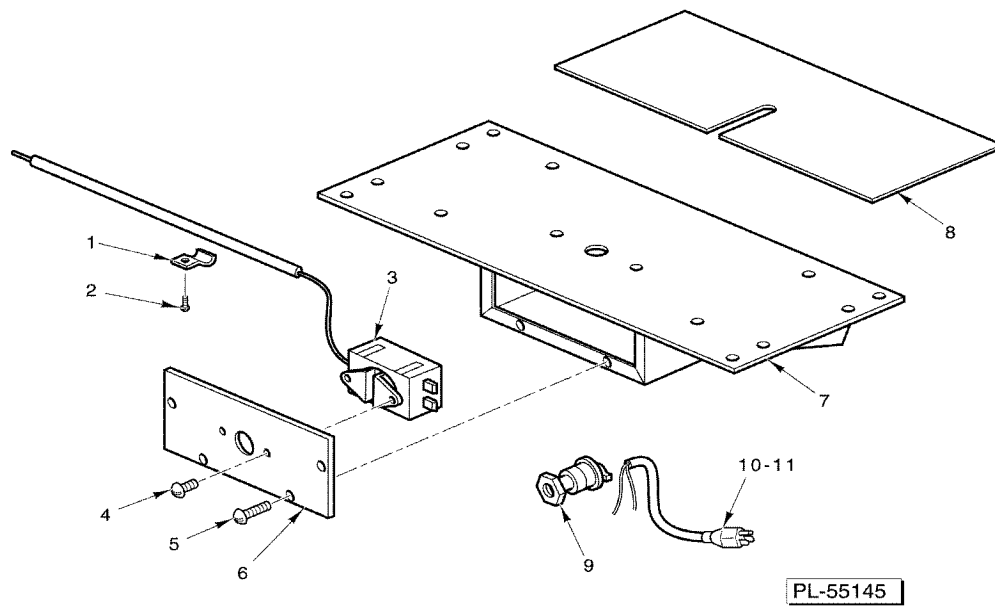
## NOTES



### HOT PLATE AND HANDLE UNIT

### HOT PLATE AND HANDLE UNIT

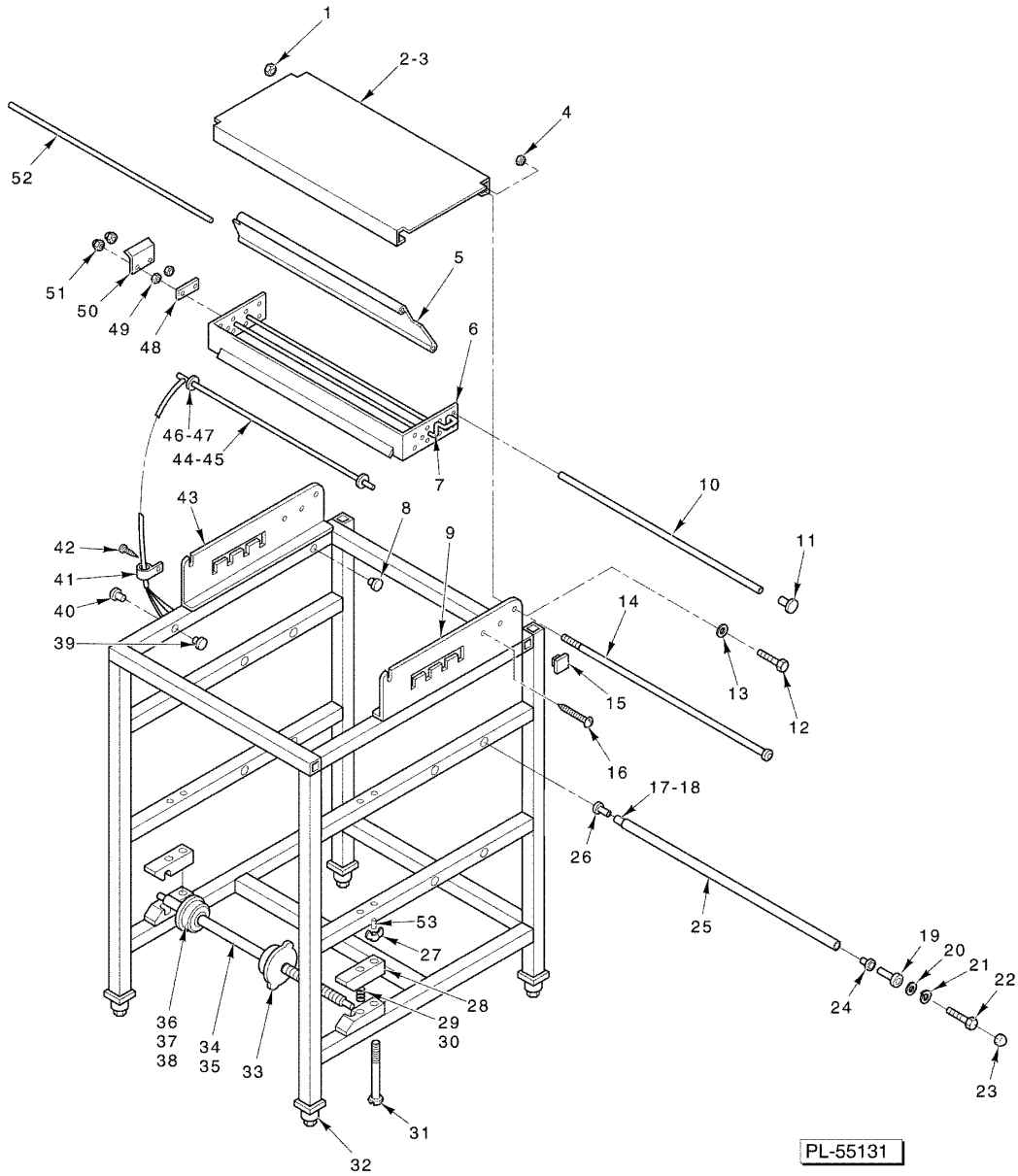
ILLUS.	PART NO.	NAME OF PART	AMT.
PL-55146			
1	00-130585-00001	Cover - (non-stick) 6 x 15.....	1
2	00-334294	Element - Hot Plate (115 V.).....	1
3	00-334293	Element - Hot Plate (220 V.).....	1
4	00-334416	Washer - Insulating.....	4
5	NS-025-01	Mach. Nut 10-24 Hex.....	4
6	WL-004-40	Lockwasher #10 Helical.....	4
7	NS-025-01	Mach. Nut 10-24 Hex.....	2
8	WL-004-40	Lockwasher #10 Helical.....	2
9	00-130585-00004	Bracket - Handle (RH).....	1
10	00-130585-00028	Bracket - Handle (LH).....	1
11	SC-008-09	Mach. Screw 10-24 x 3/8 Rd. Hd.....	4
12	SC-110-12	Cap Screw 1/4-20 x 5/8 Hex Hd.....	4
13	WL-004-40	Lockwasher #10 Helical.....	4
14	SC-008-09	Mach. Screw 10-24 x 3/8 Rd. Hd.....	2
15	00-130585-00006	Guard - Hot Plate.....	1
16	WL-004-40	Lockwasher #10 Helical.....	4
17	SC-009-25	Mach. Screw 10-24 x 5/8 Slotted Rd. Hd.....	4
18	00-130629	Hook - Retaining.....	1
19	NS-013-02	Nut 1/4-20 Hex.....	1
20	00-130585-00005	Handle.....	2
21	00-334296	Hot Plate Casting (6" x 15").....	1
22	00-046495	Element Mounting Plate.....	1
23	NS-013-02	Nut 1/4 x 20 Hex.....	2



### HOT PLATE BASE AND ELECTRICAL

### HOT PLATE BASE AND ELECTRICAL

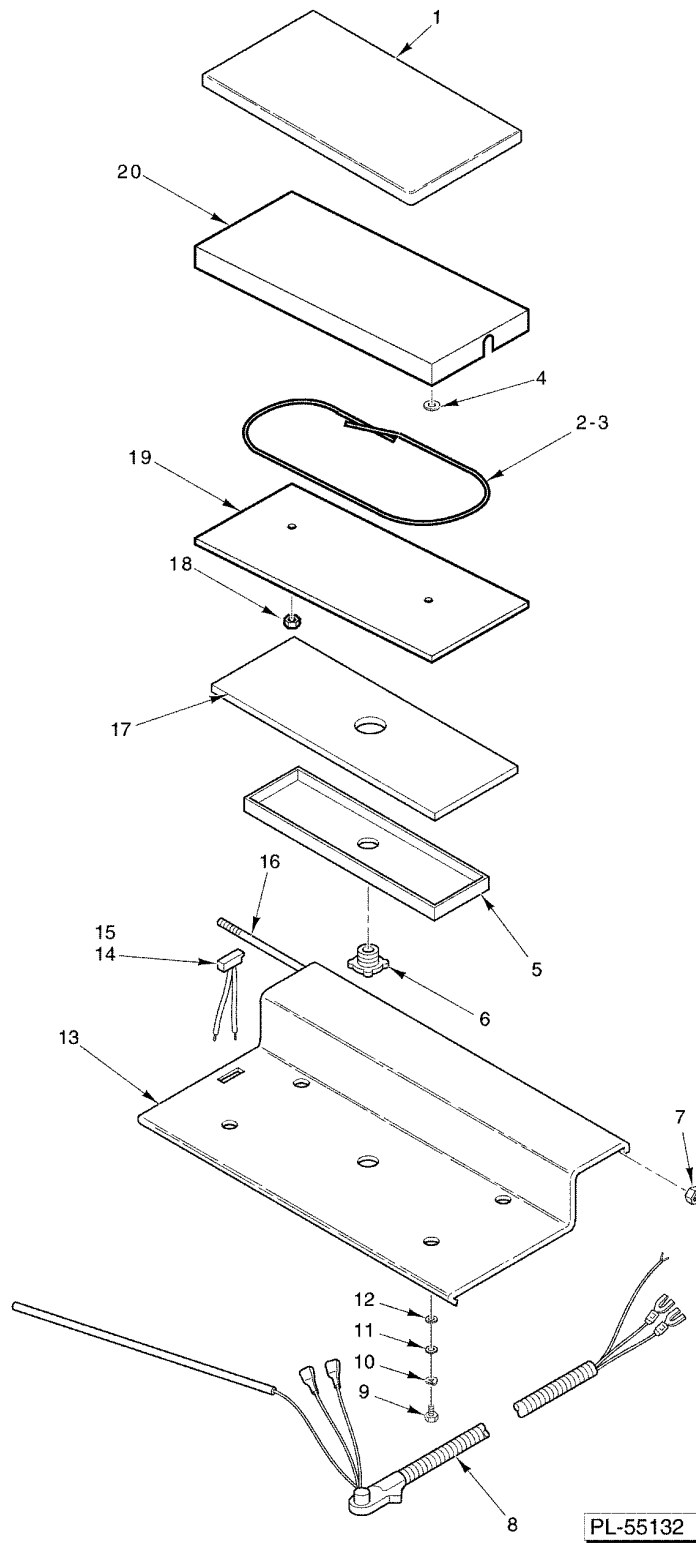
ILLUS.	PART NO.	NAME OF PART	AMT.
PL-55145			
1	00-130585-00014	Clamp - Thermostat Bulb.....	3
2	SD-032-25	Self-Tapping Screw 6-32 x 1/4 Pan Hd., Type 1.....	3
3	00-044352	Thermostat Assy. (Incls. Knob).....	1
4	00-130585-00020	Mach. Screw 6-32 x 3/8 Rd. Hd.....	2
5	00-130585-00021	Self-Tapping Screw 8-18 x 1/2 Pan Hd., Special.....	4
6	00-130585-00012	Cover - Control Box.....	1
7	00-441746	Base Plate Assy. (Incls. Item 6).....	1
8	00-441747	Board - Insulation.....	1
9	00-130585-00010	Connector - Cord Grip.....	1
10	00-130585-00009	Power Cord (115 V.).....	1
11	00-130585-00025	Power Cord (W/Cap, 220 V.).....	1
	00-130585-00023	Wire Assy. (Thermostat to Hot Plate).....	1
	00-130585-00024	Wire Assy. (Power Cord to Hot Plate).....	1



### W32C WRAP STATION

**W32C WRAP STATION**

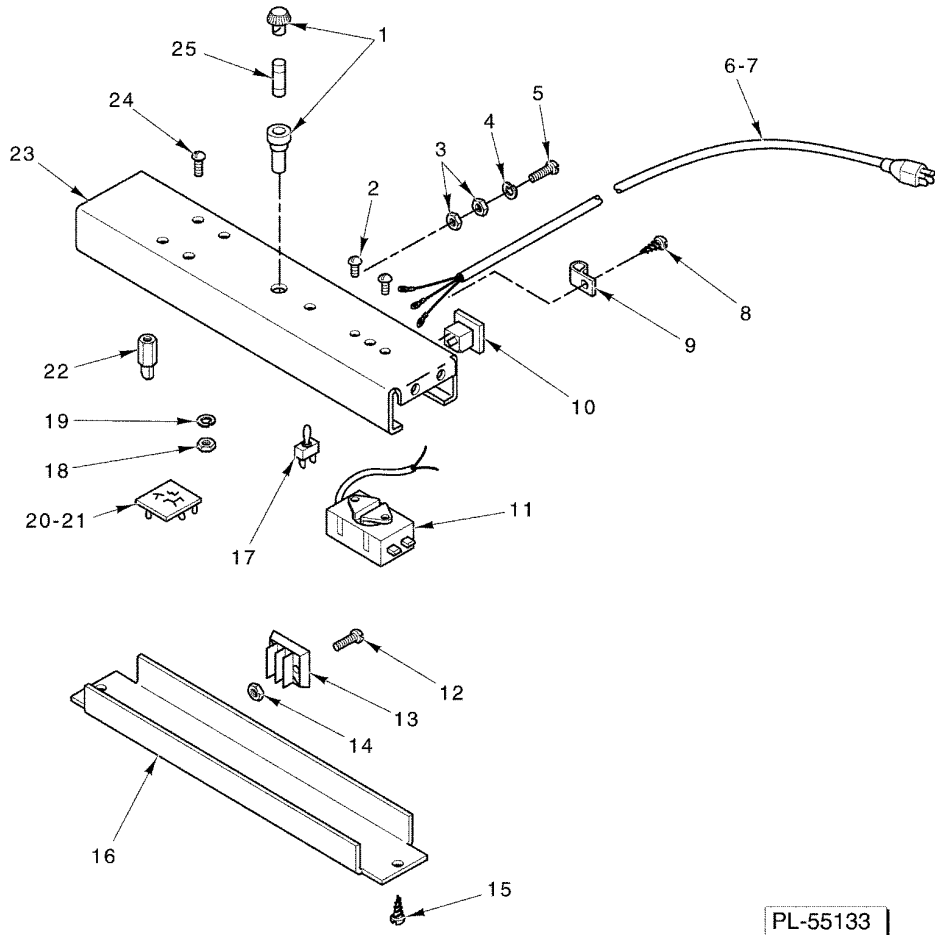
ILLUS. PL-55131	PART NO.	NAME OF PART	AMT.
1	00-133320-00020	Nut 1/4-20 Hex Head (Nylon).....	1
2	00-133320-00019	Bridge - Wrapping (Used with Items 1 & 14).....	1
3	00-441680-00003	Bridge - Wrapping (Used with Items 4, 12, & 13).....	1
4	NS-037-21	Lock Nut 1/4-20 Hex.....	2
5	00-130445-00016	Retainer - Film.....	3
6	00-130445-00015	Frame - Selector.....	1
7	00-130445-00012	Selector - Hairpin.....	1
8	00-133320-00022	Bushing.....	1
9	00-133320-00023	Plate - Side (RH).....	1
10	00-130445-00020	Roller - Film Guide.....	5
11	00-130445-00017	Bushing - Film Guide.....	10
12	SC-041-05	Cap Screw 1/4-20 x 5/8 Hex Hd.....	2
13	WS-022-21	Washer 1/4 .....	2
14	00-130445-00019	Rod - Threaded.....	1
15	00-130445-00054	Plug - End.....	6
16	SD-007-39	Self-Tapping Screw 8 x 1/2 Type B.....	4
17	00-441679	Shaft - Film Roller Guide (5/16" x 23").....	3
18	00-441693	Shaft - Film Roller Guide (5/16" x 25 1/4").....	3
19	00-132654-00016	Shaft - Stub Nut.....	6
20	WS-017-25	Washer.....	6
21	WL-003-38	Lockwasher 1/4 .....	6
22	SC-062-69	Cap Screw 1/4-20 x 1-3/4 Hex Hd.....	6
23	00-133320-00012	Push Nut 5/16 .....	6
24	00-130445-00026	Bearing - Guide Roll (Bronze).....	3
25	00-133320-00011	Roller - Film Guide.....	3
26	00-130445-00028	Bushing - Guide Roller.....	3
27	NS-028-11	Wing Nut 1/4-20.....	12
28	00-334247	Block - Bearing (Incls. Upper & Lower Blocks for LH & RH).....	3
29	00-130445-00033	Spring - Bearing Block.....	6
30	00-132654-00021	Ground Strap (Brass).....	3
31	SC-081-26	Mach. Screw 1/4-20 x 3-1/2 Rd. Hd.....	12
32	00-333167	Foot - Adjustable.....	4
33	00-130445-00041	Cap - Adjustable End 3".....	3
34	00-130445-00040	Axle - Film Mounting (22" Long).....	3
35	00-046604	Axle - Film Mounting (24" Long).....	3
36	00-130445-00038	Cap - Fixed End 3" (Incls. Items 37 & 38).....	3
37	00-130445-00039	Pin.....	3
38	00-030929	O-Ring.....	3
39	00-133320-00024	Plug - Hole.....	1
40	00-133320-00022	Bushing.....	1
41	00-133320-00027	Clamp - Cable 1/4".....	1
42	SD-017-39	Self-Tapping Screw 8 x 1/2 Rd. Hd., Type AB.....	1
43	00-133320-00021	Plate - Side (LH).....	1
44	00-134429	Round Rod - Hot (115 V.).....	1
45	00-134431	Round Rod - Hot (220 V.).....	1
46	00-134430	Collar - Hot Rod (Incls. Item 47).....	2
47	SC-047-74	Set Screw 8-32 x 1/4 Hex Cup Pt.....	2
48	00-133320-00026	Plate - Handle.....	1
49	NS-013-02	Nut 1/4-20 Hex.....	2
50	00-130445-00024	Handle - Selector.....	1
51	00-133320-00025	Stop Nut 1/4-20 Hex.....	2
52	00-130445-00021	Rod - Hinge.....	3
53	00-441680-00001	Cap - Rubber.....	12
	00-134309	Round Hot Rod Kit (Incls. Items 44, 46 & 47).....	1



### W32C HOT PLATE UNIT

**W32C HOT PLATE UNIT**

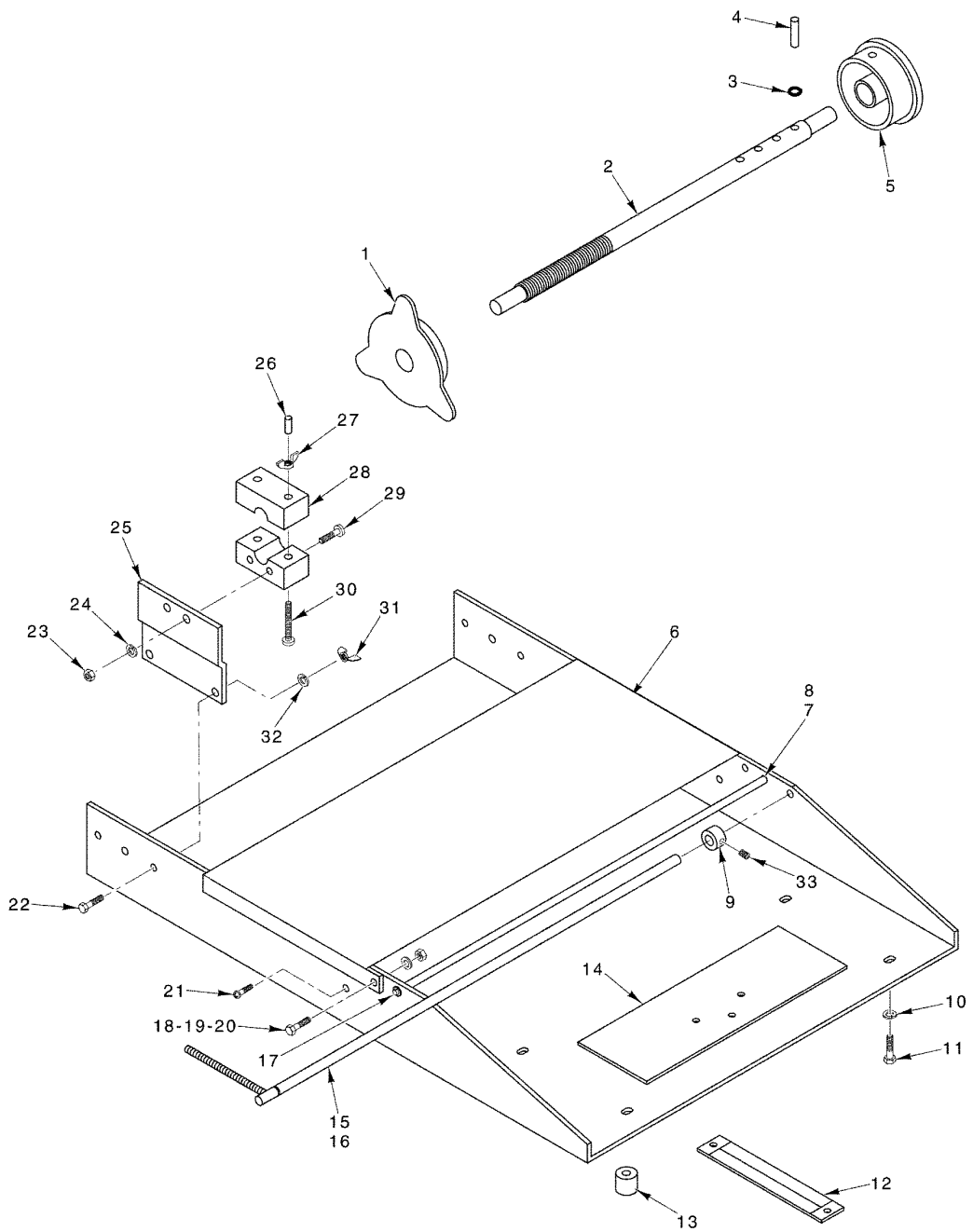
ILLUS.	PART NO.	NAME OF PART	AMT.
PL-55132			
1	00-133320-00001	Cover - (non-stick) 8 x 15.....	1
2	00-334294	Element - Hot Plate (8" x 15") (115 V.).....	1
3	00-334293	Element - Hot Plate (8" x 15") (240 V.).....	1
4	00-334416	Washer - Insulating .250 x .500 x .098.....	8
5	00-133320-00003	Enclosure - Hot Plate.....	1
6	00-133320-00004	Lock Nut - Conduit.....	1
7	NS-013-02	Nut 1/4-20 Hex.....	1
8	00-133320-00007	Cable Assy.....	1
9	SC-110-12	Cap Screw 1/4-20 x 5/8 Hex Hd.....	4
10	WL-003-38	Lockwasher 1/4 Helical.....	4
11	WS-029-05	Washer (SST).....	4
12	00-332949	Washer - Insulating .187 x .750 x .093.....	4
13	00-133320-00006	Plate - Front.....	1
14	00-133320-00005	Pilot Light (115 V.).....	1
15	00-130445-00050	Pilot Light (220 V.).....	1
16	00-130445-00019	Rod - Threaded.....	1
17	00-441680-00004	Insulation Board - Hot Plate.....	1
18	NS-013-02	Nut 1/4-20 Hex.....	2
19	00-046495	Element Mounting Plate.....	1
20	00-334297	Hot Plate Casting (8" x 15").....	1



### W32C CONTROL BOX UNIT

**W32C CONTROL BOX UNIT**

ILLUS. PL-55133	PART NO.	NAME OF PART	AMT.
1	00-030991	Holder - Fuse.....	1
2	SC-009-70	Mach. Screw 6-32 x 1/4 Slotted Rd. Hd.....	2
3	NS-009-22	Mach. Nut 10-24 Hex.....	2
4	WL-004-40	Lockwasher #10 Helical.....	1
5	SC-009-25	Mach. Screw 10-24 x 5/8 Slotted Rd. Hd.....	1
6	00-130445-00001	Cord & Plug Assy. (115 V.).....	1
7	00-130445-00048	Cord & Plug Assy. (220 V.).....	1
8	SD-017-39	Self-Tapping Screw 8-18 x 1/2 Slotted Rd. Hd., Type AB.....	1
9	00-133320-00017	Clamp 5/16 Cable.....	2
10	00-133320-00030	Outlet - Convenient (115 V.).....	1
11	00-334124	Thermostat.....	1
12	SC-060-03	Mach. Screw 10-24 x 3/4 Rd. Hd.....	2
13	00-133320-00014	Block - Terminal.....	1
14	NS-009-22	Mach. Nut 10-24 Hex.....	2
15	SD-017-39	Self-Tapping Screw 8-18 x 1/2 Slotted Rd. Hd., Type AB.....	2
16	00-133320-00013	Cover - Control Box.....	1
17	00-130445-00004	Switch - On/Off.....	1
18	NS-009-22	Mach. Nut 10-24 Hex.....	2
19	WL-004-40	Lockwasher #10 Helical.....	2
20	00-132654-00006	Circuit Board (115 V.).....	1
21	00-132654-00013	Circuit Board (220 V.).....	1
22	00-334626	Standoff - Screw Mount.....	4
23	00-133320-00016	Box - Control.....	1
24	SD-039-08	Self-Tapping Screw 6-32 x 3/8 Pan. Hd., Type F.....	4
25	00-133320-00018	Fuse - 1 Amp.....	1

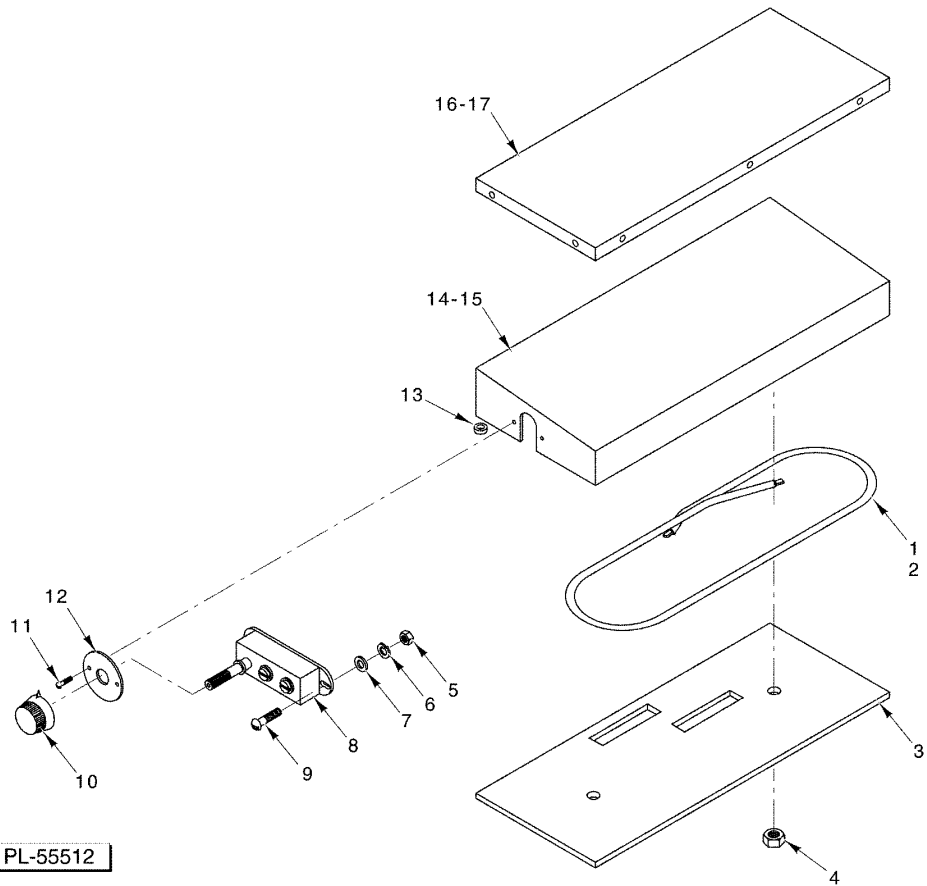


PL-55511

### 625A WRAP STATION

**625A WRAP STATION**

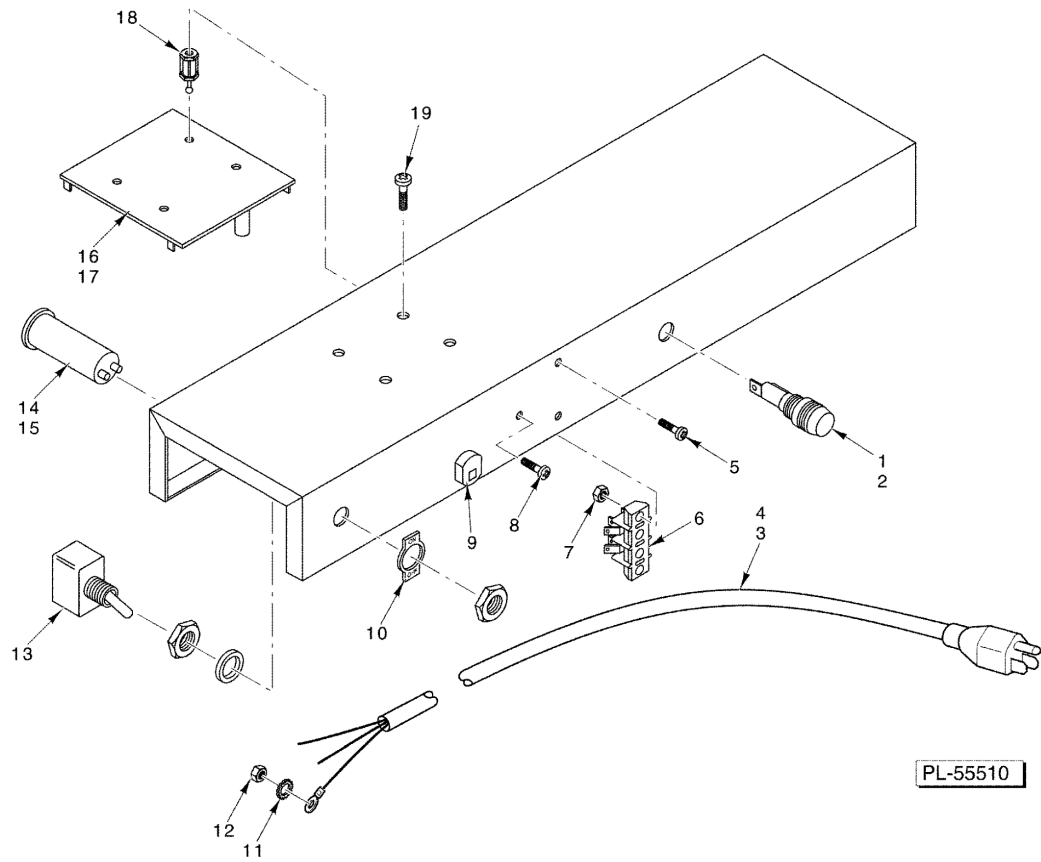
ILLUS. PL-55511	PART NO.	NAME OF PART	AMT.
1	00-130445-41	Cap - Adjustable End 3".....	1
2	00-130445-00040	Axle - Film Mounting (22" Long).....	1
3	00-030929	O-Ring.....	1
4	00-130445-00039	Pin.....	1
5	00-130445-00038	Cap - Fixed End (Incls. Items 3 & 4).....	1
6	00-441680-00003	Bridge - Wrapping.....	1
7	00-046642	Rod - Film Retainer 1/4 x 225/8 .....	1
8	00-046643	Guide - Plastic.....	1
9	00-134430	Collar - Hot Rod (Incls. Item 33).....	1
10	WL-006-17	Lockwasher 1/4 .....	4
11	SC-118-19	Cap Screw 1/4-20 x 3/4 Hex Hd.....	4
12	00-441680-00005	Plate - Cover.....	1
13	00-049302	Foot - Rubber.....	4
14	00-441680-00004	Insulation Board - Hot Plate.....	1
15	00-134429	Rod - Hot (115 V.).....	1
16	00-134431	Rod - Hot (220 V.).....	1
17	00-046645	Nut - Tinnerman 1/4 .....	2
18	SC-041-05	Cap Screw 1/4-20 x 5/8 Hex Hd.....	2
19	WS-022-21	Washer 1/4 .....	2
20	NS-037-21	Lock Nut 1/4-20 Hex.....	2
21	SD-036-24	Self-Tapping Screw 8-32 x 1/2 Pan Hd.....	4
22	SC-041-05	Cap Screw 1/4-20 x 5/8 Hex Hd.....	4
23	NS-015-01	Nut 1/4-20 Hex.....	4
24	WL-006-17	Lockwasher 1/4 .....	4
25	00-441680-00002	Plate - Support Bearing Block (Incls. LH & RH).....	1
26	00-441680-00001	Cap - Rubber.....	4
27	NS-028-11	Wing Nut 1/4-20.....	4
28	00-046611	Block - Bearing (LH & RH) (Incls. Items 23, 24, 26, 27, 29, & 30).....	2
29	SC-128-24	Bolt - Carriage 1/4-20 x 1 1/2 .....	4
30	SC-081-78	Mach. Screw 1/4-20 x2 1/2 Rd. Hd.....	4
31	NS-028-11	Wing Nut 1/4-20.....	4
32	WL-006-17	Lockwasher 1/4 .....	4
33	SC-047-74	Set Screw 8-32 x 1/4 Hex Cup Pt.....	1



### 625A HOT PLATE UNIT

**625A HOT PLATE UNIT**

ILLUS.	PART NO.	NAME OF PART	AMT.
PL-55512			
1	00-334294	Element - Hot Plate (115 V.).....	1
2	00-334293	Element - Hot Plate (240 V.).....	1
3	00-046495	Plate - Element Mounting.....	1
4	NS-013-02	Nut 1/4-20 Hex.....	2
5	NS-009-07	Nut 6-32 Hex.....	2
6	WL-008-02	Lockwasher #6.....	2
7	WS-023-15	Washer.....	2
8	00-334659	Thermostat.....	1
9	SC-009-97	Mach. Screw 6-32 x 3/4 Rd. Hd.....	2
10	00-440794	Knob.....	1
11	SD-033-56	Self-Tapping Screw 3/16 Rd. Hd., Type U.....	2
12	00-046496	Plate - Dial.....	1
13	00-334416	Washer - Insulating.....	16
14	00-334296	Hot Plate Casting 6 x 15.....	1
15	00-334297	Hot Plate Casting 8 x 15.....	1
16	00-130585-00001	Cover - (non-stick) 6 x 15.....	1
17	00-133320-00001	Cover - (non-stick) 8 x 15.....	1



### 625A CONTROL BOX UNIT

**625A CONTROL BOX UNIT**

ILLUS.	PART NO.	NAME OF PART	AMT.
PL-55510			
1	FE-016-40	Fuse (1 Amp.) (250 V.).....	1
2	00-030991	Holder - Fuse.....	1
3	00-130445-00001	Power Cord (115 V.).....	1
4	00-130445-00048	Power Cord (220 V.).....	1
5	SC-018-23	Mach. Screw 8-32 x 5/8 Pan Hd.....	2
6	00-441680-00007	Block - Terminal.....	1
7	NS-011-12	Nut 8-32 Hex.....	2
8	SC-109-62	Mach. Screw 10-24 x 3/8 Pan Hd.....	1
9	FE-025-53	Strain Relief - Straight.....	1
10	00-441680-00006	Plate - On/Off.....	1
11	WL-013-11	Lockwasher - Internal #10.....	1
12	NS-048-23	Nut 10-24 Hex.....	1
13	00-130445-00004	Switch - On/Off (Incls. Mounting Hardware).....	1
14	00-132654-00004	Pilot Light (115 V.).....	1
15	00-130445-00050	Pilot Light (220 V.).....	1
16	00-132654-00006	Circuit Board (115 V.).....	1
17	00-132654-00013	Circuit Board (220 V.).....	1
18	00-334626	Standoff - Screw Mount.....	4
19	SD-039-08	Self-Tapping Screw 6-32 x 3/8 Pan Hd., Type F.....	4

THERE IS NO  
GRAPHIC  
FOR THIS  
PARTS LIST

**MISCELLANEOUS**

**MISCELLANEOUS**

<b>ILLUS.</b>	<b>PART NO.</b>	<b>NAME OF PART</b>	<b>AMT.</b>
<b>PL-55654</b>			
1	00-334289	Terminal - Spade 1/4 (Hi-Temp).....	AR
2	00-086951	Terminal - Ring #8 (Hi-Temp).....	AR
3	00-127691	Terminal - Ring #10 (Hi-Temp).....	AR
4	00-332204-00001	Wire - Black 14 Ga. (Hi-Temp, 10 Ft.).....	AR
5	00-332204-00002	Wire - Black 14 Ga. (Hi-Temp, 20 Ft.).....	AR
6	00-332204-00003	Wire - Black 14 Ga. (Hi-Temp, 50 Ft.).....	AR
7	00-332205-00001	Wire - White 14 Ga. (Hi-Temp, 10 Ft.).....	AR
8	00-332205-00002	Wire - White 14 Ga. (Hi-Temp, 20 Ft.).....	AR
9	00-332205-00003	Wire - White 14 Ga. (Hi-Temp, 50 Ft.).....	AR

MODELS 625A, HP, W32, W32C W32 / W32C (WRAP STATIONS) (ML's 26320, 2633144103, 44105, 44069, 26243).  
REPLACEMENT PARTS

---