

Hoshizaki Optional Heated Overflow Drain Pan Kit HS-5234

For Use with Commercial "S" Series Upright Models Installation Instructions

Check to ensure that all parts are included:

Index No.	Description	Part Number	Qty
1	Heated Overflow Drain Pan (includes 8 ft. (2.4 m) Power Cord)	3A9247-01	1
2	Heated Overflow Drain Pan Bracket	3A9248-01	1
3	Rubber Gasket	413854-03	1
4	Drain Fitting	4A2792-01	1
5	Silicone Hose (3/8x1/2 in.; L = 2 m)	773013812	1
6	Wire Harness (6 in.)	4A6030-01	1
7	Self-Drilling Hex Screw	7B031210	8
8	Nylon Tie Mount	437618-01	1
9	Nylon Tie	8911-0200	4
10	Wire Clamp	4A0809-03	4
11	Wiring Label	3A9294-01	1

⚠ WARNING

- The appliance should be serviced only by qualified service personnel to reduce the risk of death, electric shock, serious injury, or fire.
- No installation or service should be undertaken until the technician has thoroughly read these instructions. Failure to follow these instructions will adversely affect safety, performance, component life and warranty coverage, and may result in costly water damage.
- To reduce the risk of electric shock, do not touch the plug with damp hands. Move the power switch to the "OFF" position, then unplug the appliance from the electrical outlet before servicing.

Installation Instructions

- 1) Move the power switch to the "OFF" position, then unplug the appliance from the electrical outlet.
- 2) Move the appliance out to access the rear of the appliance.
- 3) Remove the channel cover and condensate pan from the rear of the appliance. See Fig. 1.
- 4) Pour the condensate water out, then clean and dry the condensate pan.

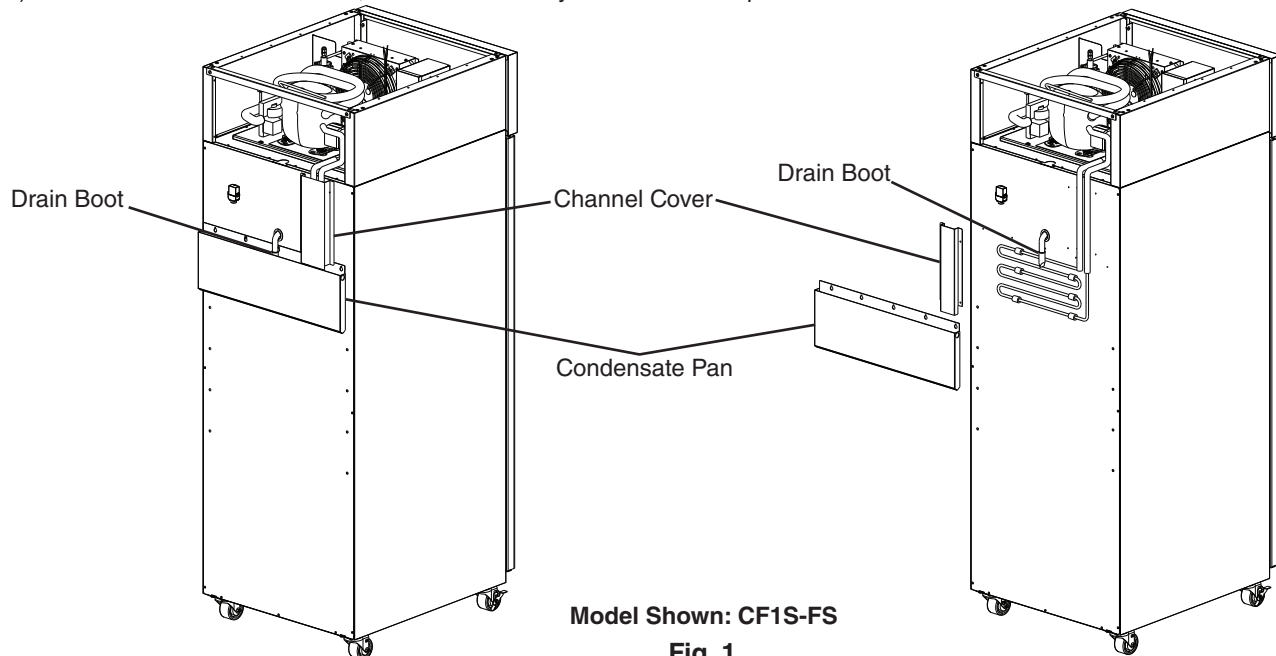


Fig. 1

- 5) Remove the drain fitting nut from the drain fitting provided in this kit, then apply thread sealant tape or thread sealant to the drain fitting. Place the drain fitting into the overflow hole from the outside. Next, place the rubber gasket and drain fitting nut onto the drain fitting and tighten. See Fig. 2. Be sure the drain fitting is facing down.

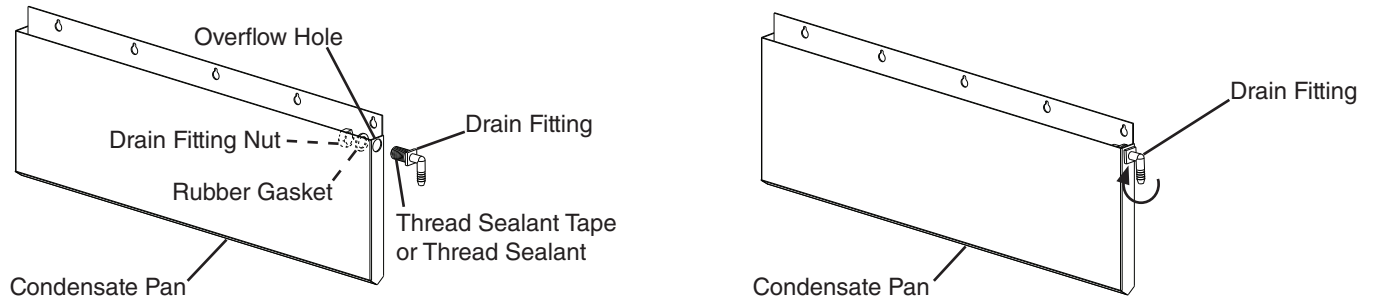
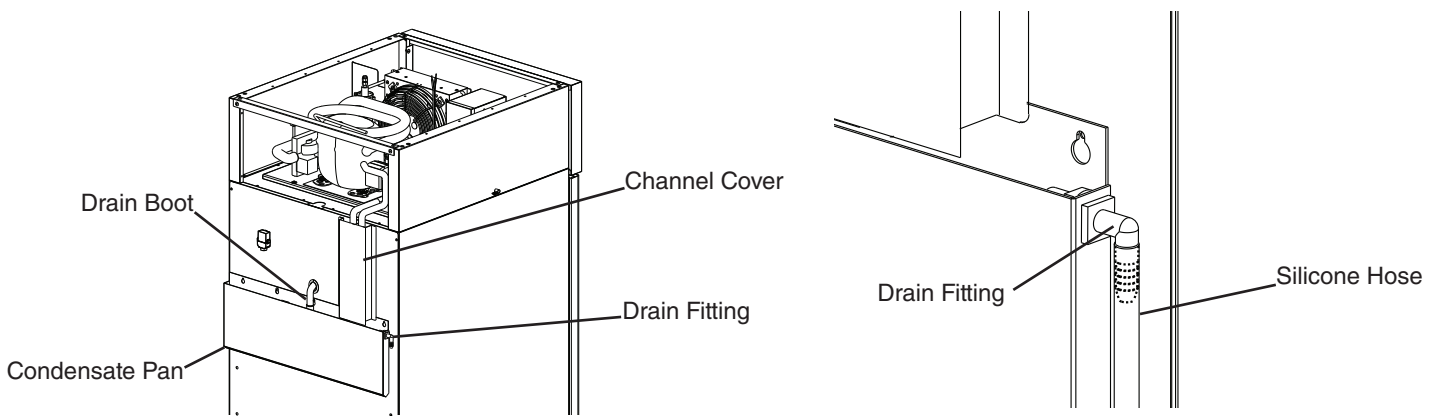


Fig. 2

- 6) Once tight, replace the condensate pan and channel cover in their correct positions. Connect the silicone hose provided in this kit onto the end of the drain fitting. See Fig. 3. **NOTICE! Be sure the drain boot is correctly positioned back into the condensate pan.**



Model Shown: CF1S-FS
Fig. 3

- 7) Place the heated overflow drain pan into the heated overflow drain pan bracket. See Fig. 4.

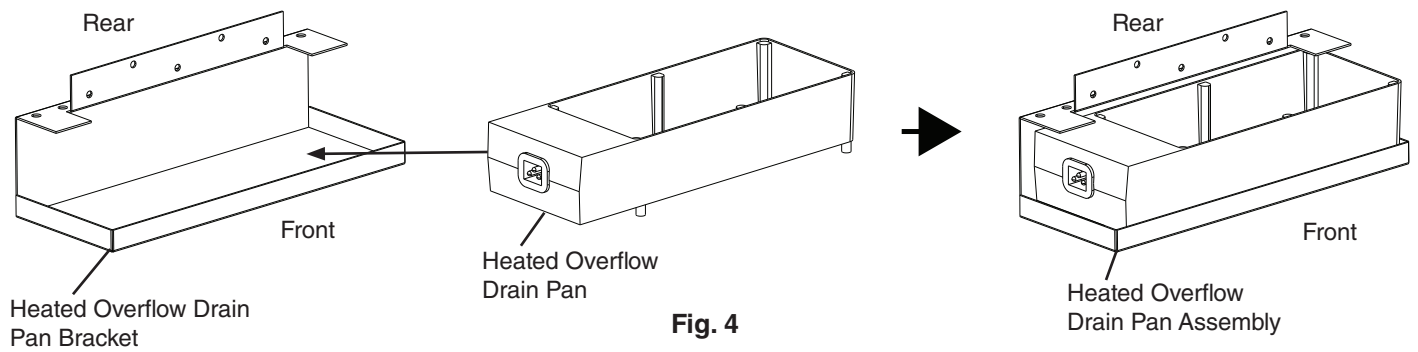
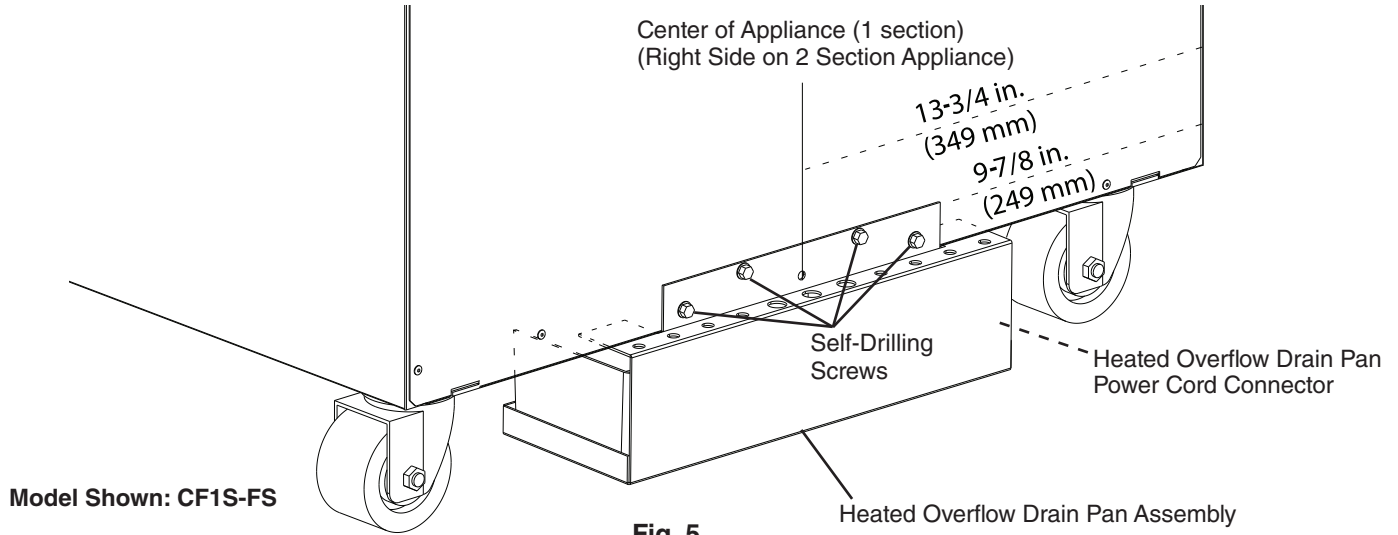
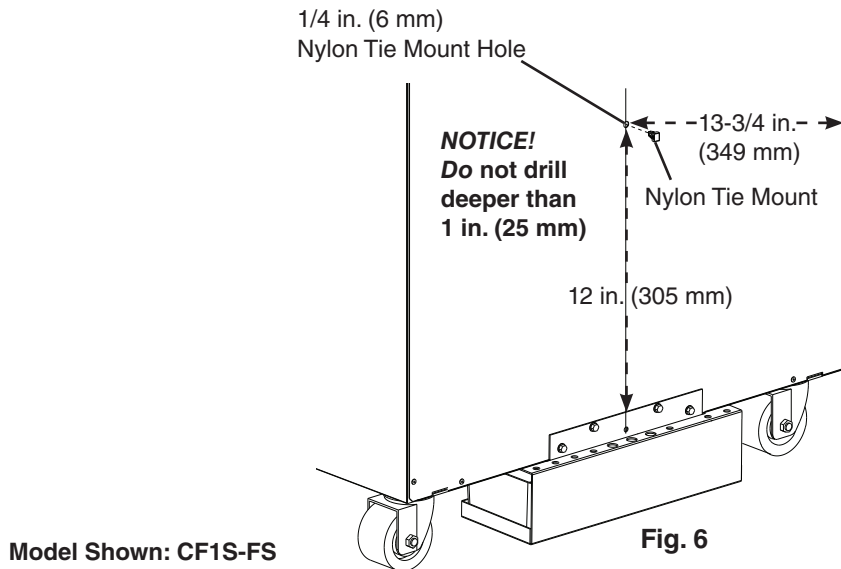


Fig. 4

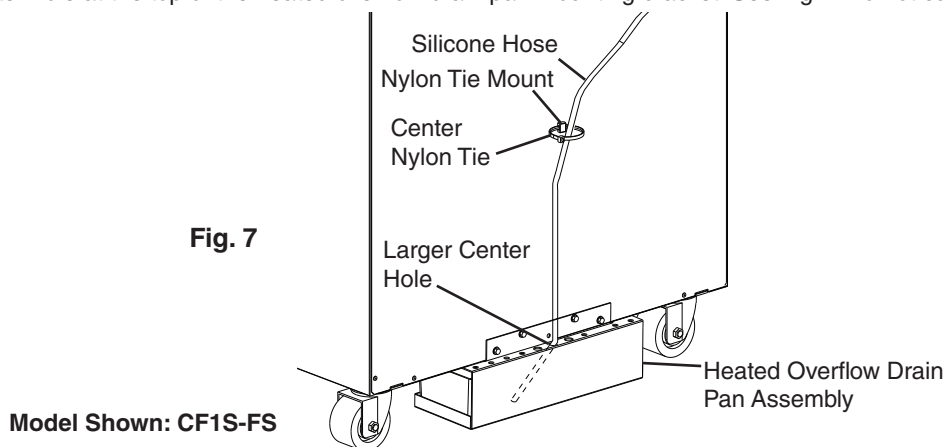
- 8) Place the heated overflow drain pan assembly at the rear of the appliance as shown in Fig. 5. Measure from the right side of the appliance as shown for proper location. Lift it flush against the rear panel of the appliance and secure using 4 of the self-drilling hex screws provided in this kit. See Fig. 5. The heated overflow drain pan power cord connector should be facing the right side from rear view.



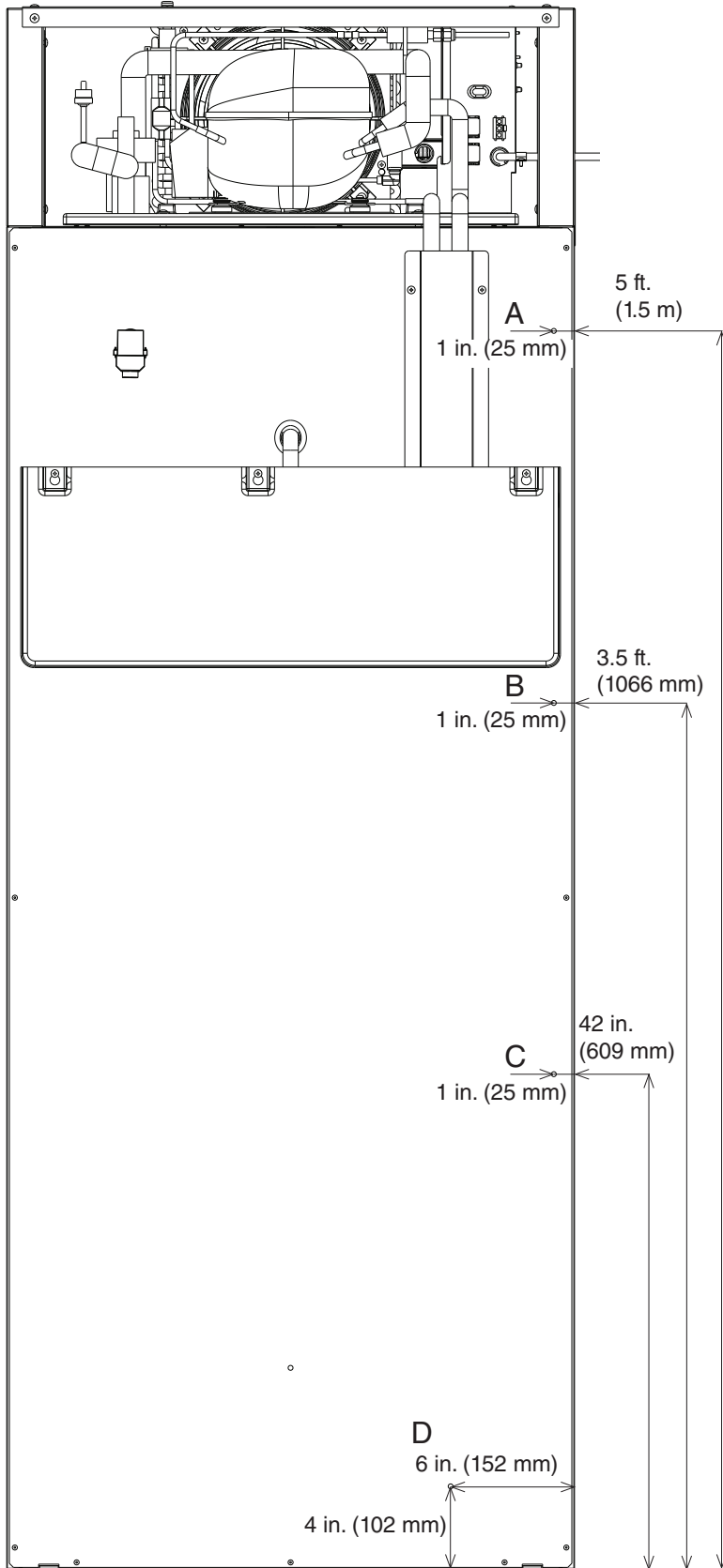
- 9) Measure 13-3/4 in. (349 mm) from the right side of the appliance. Next, measure up 12 in. (305 mm) from the top of the heated overflow drain pan mounting bracket and place a mark. Next, drill a 1/4 in. (6 mm) hole at the mark. See Fig. 6. **NOTICE! Do not drill deeper than 1 in. (25 mm).** Drilling deeper could penetrate the interior cabinet wall.



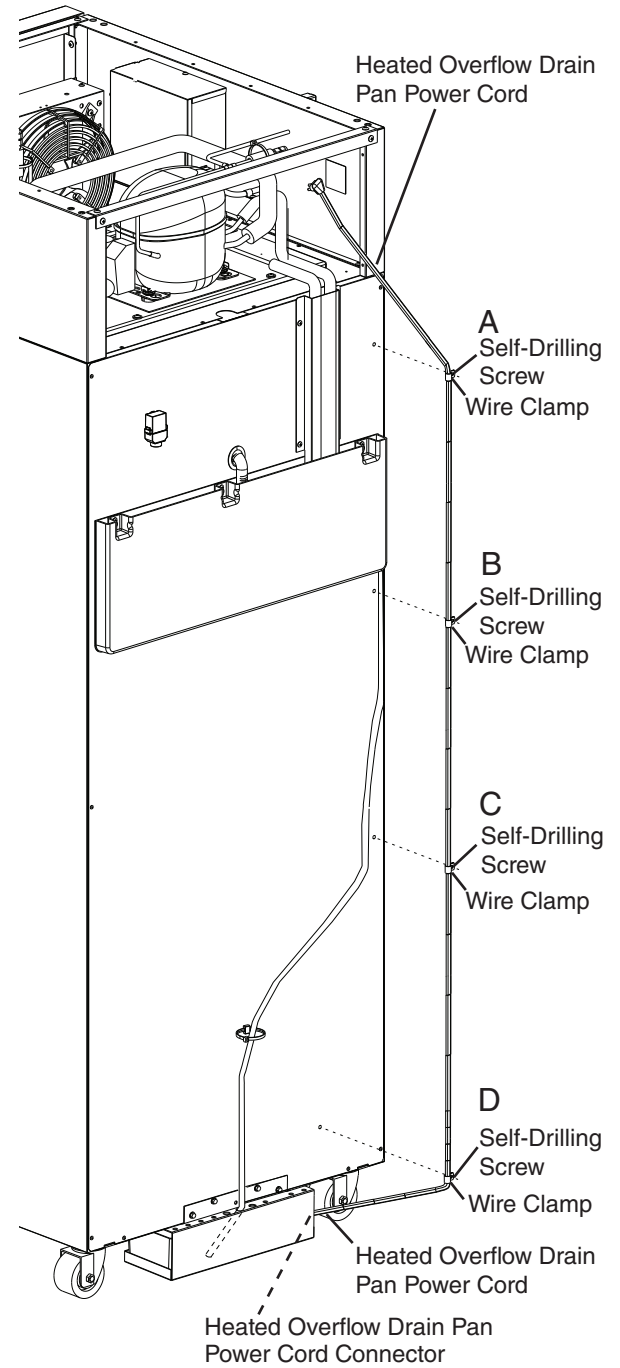
- 10) Place a nylon tie through the nylon tie mount and close (do not tighten). Route the silicone hose through the nylon tie then down into the large center hole at the top of the heated overflow drain pan mounting bracket. See Fig. 7. Do not cut the silicone hose at this time.



- 11) Plug the 8 ft. (2.4 m) heated overflow drain pan power cord into the heated overflow drain pan connector then place the 8 ft. (2.4 m) heated overflow drain pan power cord in the 4 wire clamps supplied with this kit. Using the self-drilling hex screws provided, measure and secure the 4 wire clamps at the locations shown below. See Fig. 8.



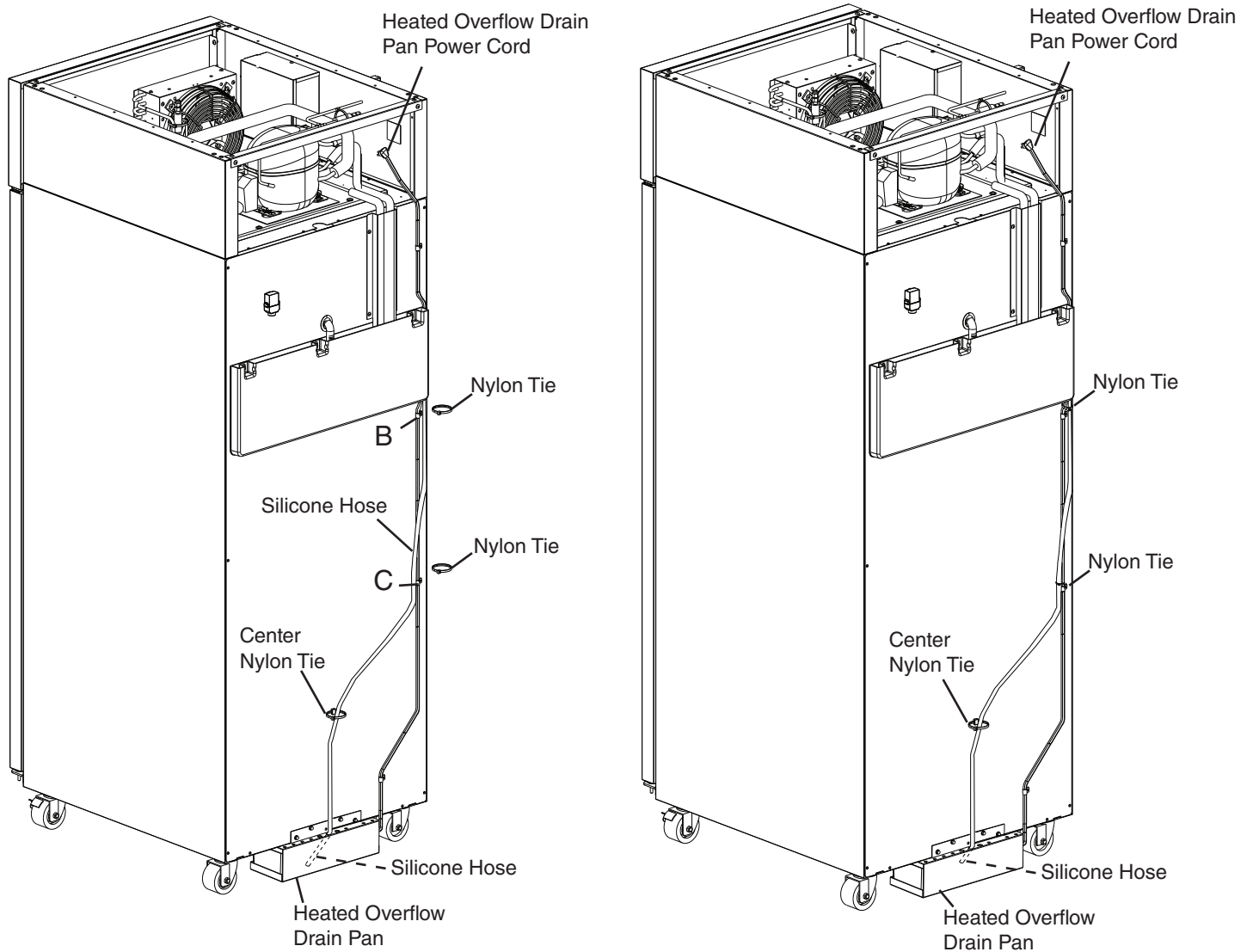
Model Shown: CR1S-FS



Model Shown: CF1S-FS

Fig. 8

- 12) Use nylon ties to secure the silicone hose to the heated overflow drain pan power cord above wire clamps B and C. See Fig. 9. Be sure not to over tighten or pinch the silicone hose.
- 13) Remove the silicone hose from the heated overflow drain pan. Confirm there are no kinks in the hose, then tighten the center nylon tie. Be sure not to over tighten or pinch the silicone hose.
- 14) Measure the silicone hose so that the silicone hose extends a minimum of 1 in. (25 mm) into the heated overflow drain pan but not deep enough to touch the bottom of the heated overflow drain pan. Once the correct amount of hose length is determined, mark the distance needed and cut the silicone hose to that length.



Model Shown: CF1S-FS

Fig. 9

Wiring Instructions

If wire harness is already factory installed skip to step 19. Otherwise, continue to step 15.

15) Remove the control box cover. Next, route the wire harness into the control box through the hole with the appliance power cord. See Fig. 10.

16) Connect the wire harness black (BK) ribbed wire to the terminal block line black (BK) bar.

17) Connect the wire harness black (BK) smooth wire to the terminal block neutral white (W) bar.

18) Attach the wire harness ground (BK) ring terminal to the unit ground screw. **WARNING! Make sure grounding wires are attached and secure.**

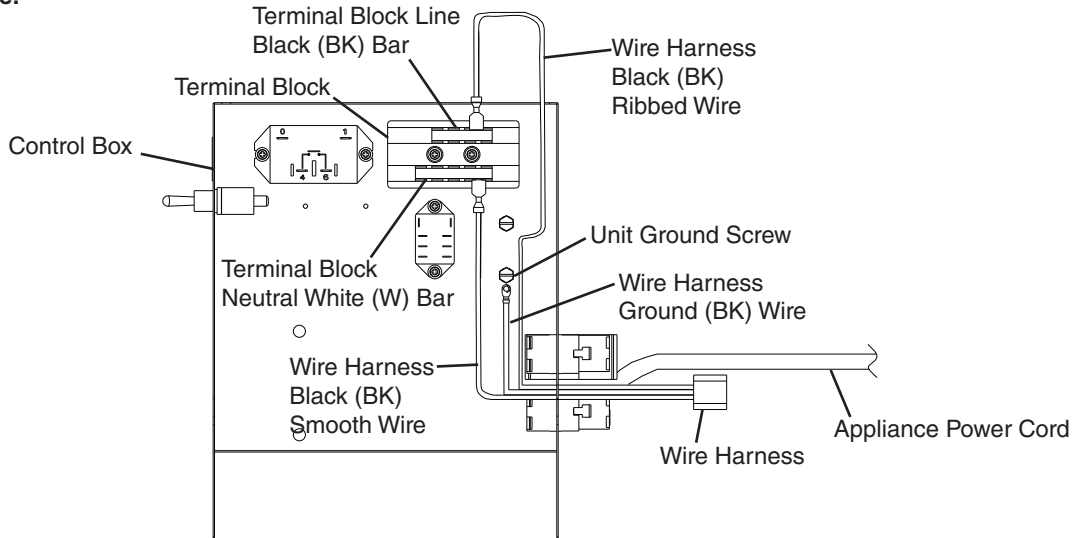


Fig. 10

19) Plug the heated overflow drain pan power cord into the wire harness connector. Secure the heated overflow drain pan power cord to the appliance main power cord with a nylon tie. See Fig. 11.

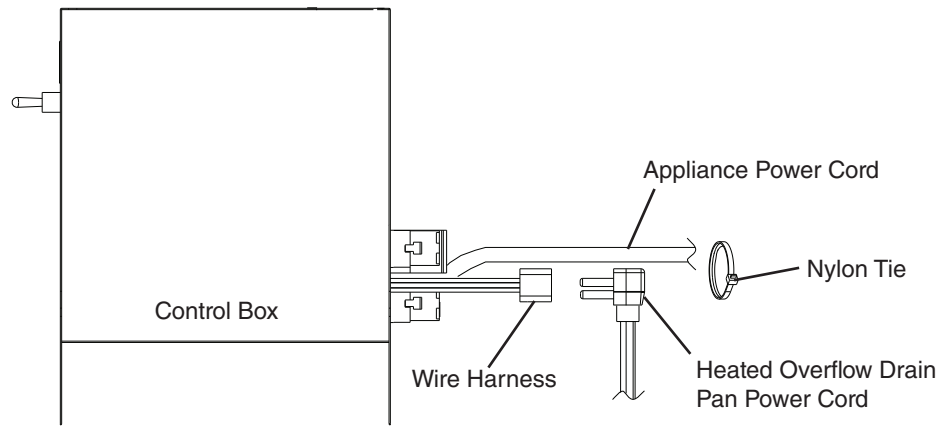


Fig. 11

20) Place the wiring label supplied with this kit near the wiring label on the appliance.

21) Replace the control box cover in its original position.

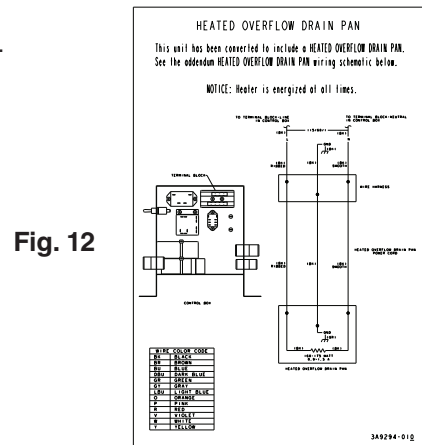


Fig. 12

22) Move the appliance back to its original position. Ensure that the heated overflow drain pan assembly does not make contact with the back wall or another surface. Plug the appliance into the electrical outlet, then move the power switch to the "ON" position. 2A8351-01G