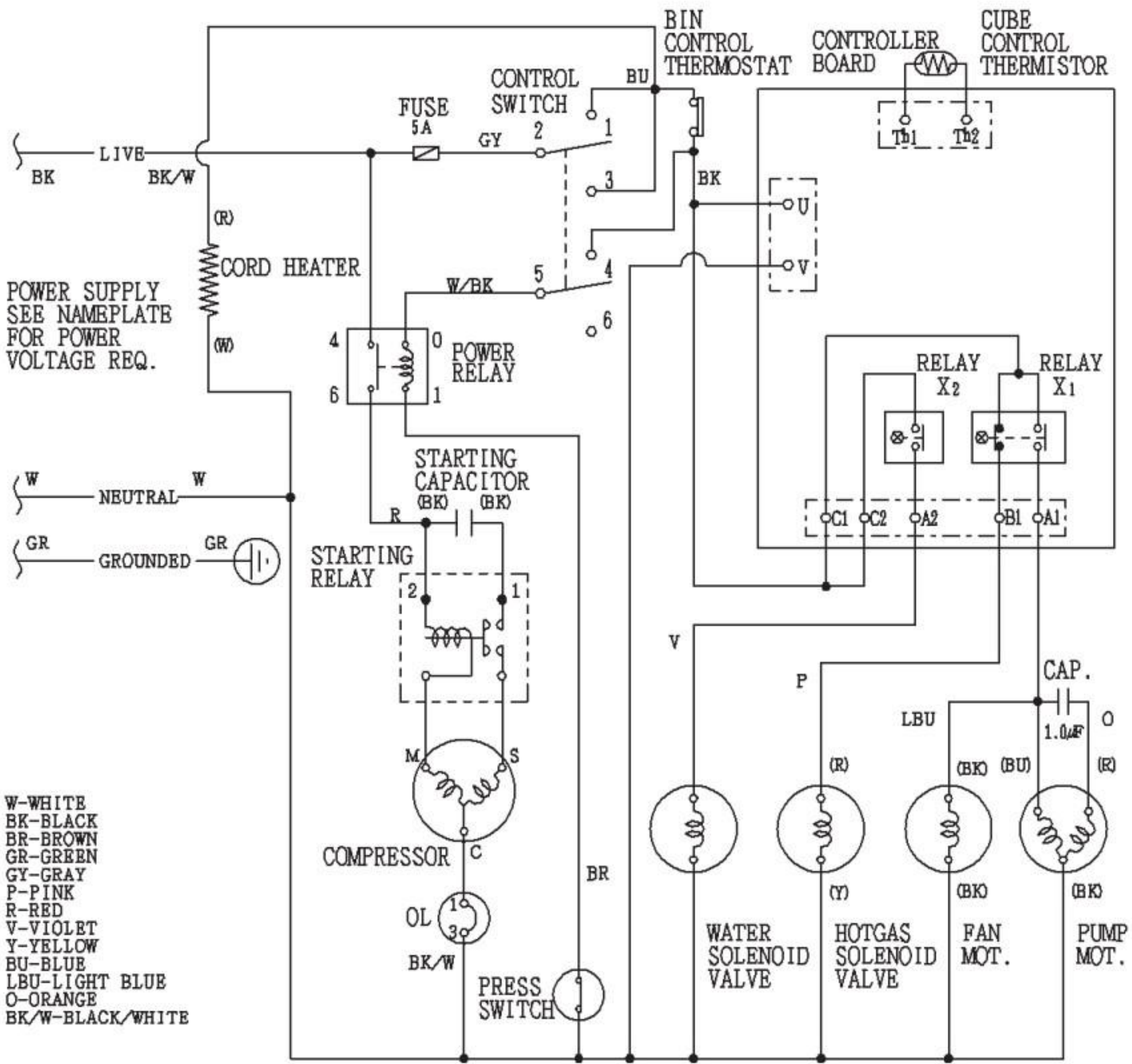


- W-WHITE
- BK-BLACK
- BR-BROWN
- GR-GREEN
- GY-GRAY
- P-PINK
- R-RED
- V-VIOLET
- Y-YELLOW
- BU-BLUE
- LBU-LIGHT BLUE
- O-ORANGE



POWER SUPPLY
SEE NAMEPLATE
FOR POWER
VOLTAGE REQ.

- W-WHITE
- BK-BLACK
- BR-BROWN
- GR-GREEN
- GY-GRAY
- P-PINK
- R-RED
- V-VIOLET
- Y-YELLOW
- BU-BLUE
- LBU-LIGHT BLUE
- O-ORANGE
- BK/W-BLACK/WHITE

BIN CONTROL THERMOSTAT CONTROLLER BOARD CUBE CONTROL THERMISTOR

COMPRESSOR

WATER SOLENOID VALVE

HOTGAS SOLENOID VALVE

FAN MOT.

PUMP MOT.

OL

PRESS SWITCH

CAP.

1.0µF

STARTING RELAY

STARTING CAPACITOR

POWER RELAY

CONTROL SWITCH

FUSE 5A

LIVE

NEUTRAL

GROUNDED

CORD HEATER

WATER SOLENOID VALVE

HOTGAS SOLENOID VALVE

FAN MOT.

PUMP MOT.

COMPRESSOR

OL

PRESS SWITCH

CAP.

1.0µF

STARTING RELAY

STARTING CAPACITOR

POWER RELAY

CONTROL SWITCH

FUSE 5A

LIVE

NEUTRAL

GROUNDED

CORD HEATER

WATER SOLENOID VALVE

HOTGAS SOLENOID VALVE

FAN MOT.

PUMP MOT.

COMPRESSOR

OL

PRESS SWITCH

CAP.

1.0µF

STARTING RELAY

STARTING CAPACITOR

POWER RELAY

CONTROL SWITCH

FUSE 5A

LIVE

NEUTRAL

GROUNDED

CORD HEATER

WATER SOLENOID VALVE

HOTGAS SOLENOID VALVE

FAN MOT.

PUMP MOT.

COMPRESSOR

OL

PRESS SWITCH

CAP.

1.0µF

STARTING RELAY

STARTING CAPACITOR

POWER RELAY

CONTROL SWITCH

FUSE 5A

LIVE

NEUTRAL

GROUNDED

CORD HEATER

WATER SOLENOID VALVE

HOTGAS SOLENOID VALVE

FAN MOT.

PUMP MOT.

COMPRESSOR

OL

PRESS SWITCH

CAP.

1.0µF

STARTING RELAY

STARTING CAPACITOR

POWER RELAY

CONTROL SWITCH

FUSE 5A

LIVE

NEUTRAL

GROUNDED

CORD HEATER

WATER SOLENOID VALVE

HOTGAS SOLENOID VALVE

FAN MOT.

PUMP MOT.

COMPRESSOR

OL

PRESS SWITCH

CAP.

1.0µF

STARTING RELAY

STARTING CAPACITOR

POWER RELAY

CONTROL SWITCH

FUSE 5A

LIVE

NEUTRAL

GROUNDED

CORD HEATER

WATER SOLENOID VALVE

HOTGAS SOLENOID VALVE

FAN MOT.

PUMP MOT.

COMPRESSOR

OL

PRESS SWITCH

CAP.

1.0µF

STARTING RELAY

STARTING CAPACITOR

POWER RELAY

CONTROL SWITCH

FUSE 5A

LIVE

NEUTRAL

GROUNDED

CORD HEATER

WATER SOLENOID VALVE

HOTGAS SOLENOID VALVE

FAN MOT.

PUMP MOT.

COMPRESSOR

OL

PRESS SWITCH

CAP.

1.0µF

STARTING RELAY

STARTING CAPACITOR

POWER RELAY

CONTROL SWITCH

FUSE 5A

LIVE

NEUTRAL

GROUNDED

CORD HEATER

WATER SOLENOID VALVE

HOTGAS SOLENOID VALVE

FAN MOT.

PUMP MOT.

COMPRESSOR

OL

PRESS SWITCH

CAP.

1.0µF

STARTING RELAY

STARTING CAPACITOR

POWER RELAY

CONTROL SWITCH

FUSE 5A

LIVE

NEUTRAL

GROUNDED

CORD HEATER

WATER SOLENOID VALVE

HOTGAS SOLENOID VALVE

FAN MOT.

PUMP MOT.

COMPRESSOR

OL

PRESS SWITCH

CAP.

1.0µF

STARTING RELAY

STARTING CAPACITOR

POWER RELAY

CONTROL SWITCH

FUSE 5A

LIVE

NEUTRAL

GROUNDED

CORD HEATER

WATER SOLENOID VALVE

HOTGAS SOLENOID VALVE

FAN MOT.

PUMP MOT.

COMPRESSOR

OL

PRESS SWITCH

CAP.

1.0µF

STARTING RELAY

STARTING CAPACITOR

POWER RELAY

CONTROL SWITCH

FUSE 5A

LIVE

NEUTRAL

GROUNDED

CORD HEATER

WATER SOLENOID VALVE

HOTGAS SOLENOID VALVE

FAN MOT.

PUMP MOT.

COMPRESSOR

OL

PRESS SWITCH

CAP.

1.0µF

STARTING RELAY

STARTING CAPACITOR

POWER RELAY

CONTROL SWITCH

FUSE 5A

LIVE

NEUTRAL

GROUNDED

CORD HEATER

WATER SOLENOID VALVE

HOTGAS SOLENOID VALVE

FAN MOT.

PUMP MOT.

COMPRESSOR

OL

PRESS SWITCH

CAP.

1.0µF

STARTING RELAY

STARTING CAPACITOR

POWER RELAY

CONTROL SWITCH

FUSE 5A

LIVE

NEUTRAL

GROUNDED

CORD HEATER

WATER SOLENOID VALVE

HOTGAS SOLENOID VALVE

FAN MOT.

PUMP MOT.

COMPRESSOR

OL

PRESS SWITCH

CAP.

1.0µF

STARTING RELAY

STARTING CAPACITOR

POWER RELAY

CONTROL SWITCH

FUSE 5A

LIVE

NEUTRAL

GROUNDED

CORD HEATER

WATER SOLENOID VALVE

HOTGAS SOLENOID VALVE

FAN MOT.

PUMP MOT.

COMPRESSOR

OL

PRESS SWITCH

CAP.

1.0µF

STARTING RELAY

STARTING CAPACITOR

POWER RELAY

CONTROL SWITCH

FUSE 5A

LIVE

NEUTRAL

GROUNDED

CORD HEATER

WATER SOLENOID VALVE

HOTGAS SOLENOID VALVE

FAN MOT.

PUMP MOT.

COMPRESSOR

OL

PRESS SWITCH

CAP.

1.0µF

STARTING RELAY

STARTING CAPACITOR

POWER RELAY

CONTROL SWITCH

FUSE 5A

LIVE

NEUTRAL

GROUNDED

CORD HEATER

WATER SOLENOID VALVE

HOTGAS SOLENOID VALVE

FAN MOT.

PUMP MOT.

