



HOSHIZAKI

Parts List

Self-Contained Cuber

Models

AM-50BAE

AM-50BAE-DS

AM-50BAE-AD

AM-50BAE-ADDS



hoshizakiamerica.com

Number: 71211
Issued: 9-23-2002
Revised: 2-4-2019

CONTENTS

Auxiliary Codes.....	3
Note About Ordering Parts	4
A. Main Assembly	5
B. Refrigeration Circuit.....	7
C. Water Circuit.....	9
D. Control Box Assembly.....	11
E. Door Assembly	12
AM-50BAE, AM-50BAE-AD.....	12
AM-50BAE-DS, AM-50BAE-ADDS.....	13
F. Accessories & Labels.....	14

Auxiliary Codes

AM-50BAE

M-0 July 2002
N-1 December 2002
N-2 September 2003
P-0 December 2003
P-1 June 2004
Q-0 December 2004
R-0 December 2005
R-1 April 2006
R-2 May 2006
S-0 January 2007
T-0 January 2008
U-0 January 2009
U-1 October 2009
V-0 January 2010
A-0 January 2011
B-0 January 2012
C-0 January 2013
C-1 March 2013
D-0 January 2014
E-0 January 2015
E-1 September 2015
E-0 October 2015
F-0 January 2016
F-1 August 2016
G-0 January 2017

AM-50BAE-DS

R-0 March 2006
S-0 May 2007
T-0 January 2008
U-0 January 2009
U-1 October 2009
U-2 November 2009
V-0 February 2010
A-0 January 2011
B-0 February 2012
C-0 January 2013
C-1 March 2013
D-0 January 2014
E-0 January 2015
E-1 September 2015
E-0 October 2015
F-0 January 2016
F-1 September 2016
G-0 January 2017

AM-50BAE-AD

N-1 March 2003
P-0 March 2004
P-1 May 2004
Q-0 February 2005
R-0 December 2005
R-1 April 2006
R-2 May 2006
S-0 January 2007
T-0 January 2008
U-0 January 2009
U-1 October 2009
V-0 January 2010
A-0 January 2011
B-0 January 2012
C-0 January 2013
C-1 March 2013
D-0 January 2014
E-0 January 2015
E-1 September 2015
E-0 October 2015
F-0 February 2016
F-1 August 2016
G-0 January 2017

AM-50BAE-ADDS

R-0 June 2006
S-0 January 2007
T-0 March 2008
U-0 January 2009
U-1 October 2009
U-2 November 2009
V-0 June 2010
A-0 January 2011
B-0 January 2012
C-0 February 2013
C-1 March 2013
D-0 January 2014
E-0 January 2015
E-1 September 2015
E-0 October 2015
F-0 February 2016
F-1 August 2016
G-0 January 2017

Auxiliary Code Breakdown

The auxiliary code is the first two characters in the serial number. The first character indicates the year. Years progress or regress in alphabetical order. The series runs from "A" through "V" and the letters "I" and "O" are skipped. The second character indicates significant part changes within a year. Base is "0" and this number advances for each change. In cases where there is a letter in parentheses, this designates the month. This is the last character in the serial number. The series runs from "(A)" through "(M)" and the letter "(I)" is skipped. This designation is only included when identifying a parts change within an auxiliary code.

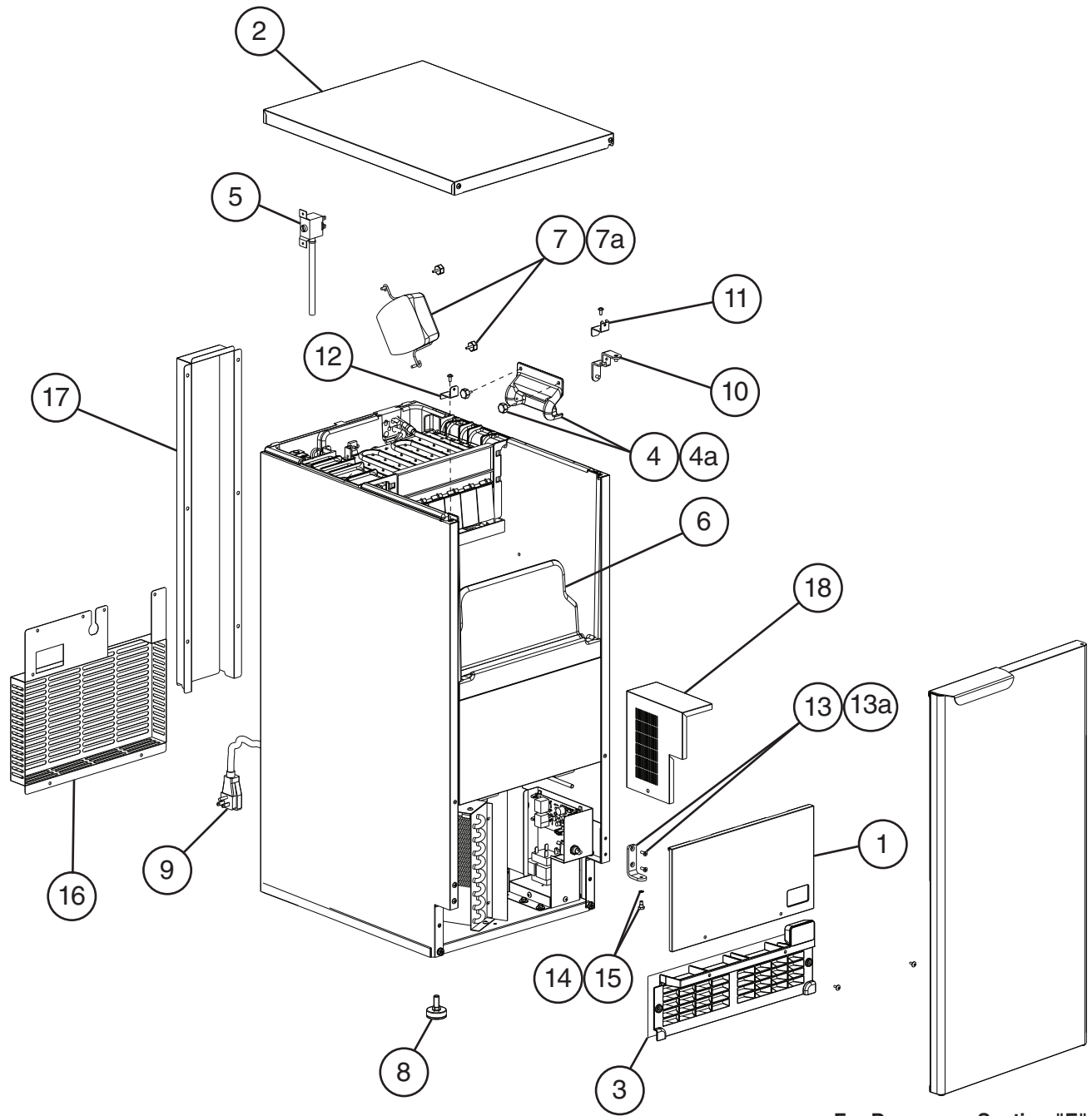
Note About Ordering Parts

Most assemblies cannot be ordered as complete units; parts in the assemblies generally must be ordered separately.

A. Main Assembly

AM-50BAE, AM-50BAE-DS, AM-50BAE-AD, AM-50BAE-ADDS

M-0 to G-0



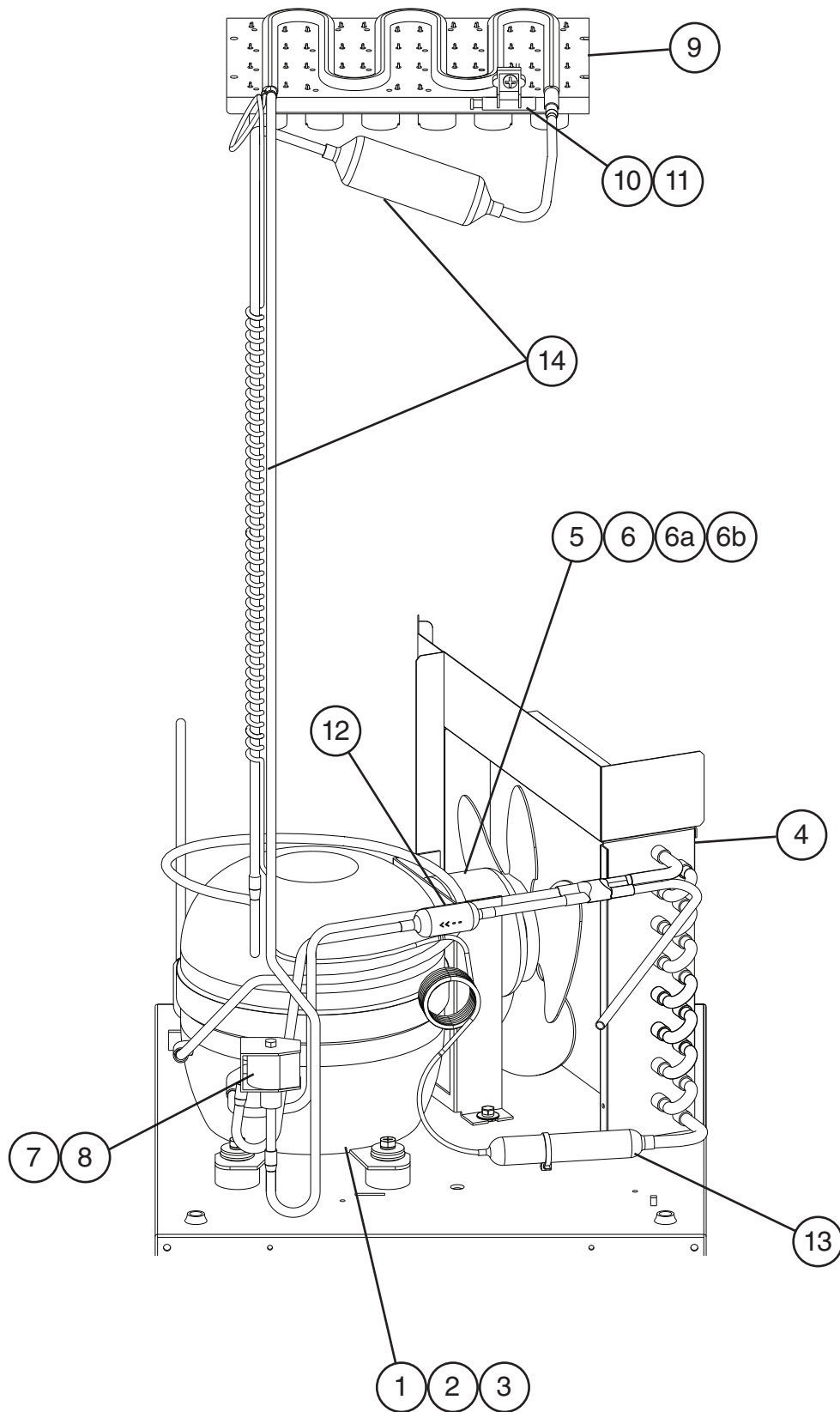
For Doors, see Section "E"

Title: A. Main Assembly Model: AM-50BAE, AM-50BAE-DS, AM-50BAE-AD, AM-50BAE-ADDS												
Index No.	Description	Material or Model Number	Part Number	Required Number								
				M-0	N-1 to R-0	R-1 to U-0	U-1 to G-0					
1	Front Panel	AM-50BAE AM-50BAE-DS	3X6433-01	1	1	1	1					
		AM-50BAE-AD AM-50BAE-ADDS	3X6433-02		1	1	1					
2	Top Panel		2H5584G01	1	-							
			2A2849G01		1	1	1					
3	Louver		2H5560-01	1	1	1	1					
4	Bin Control Thermostat Bulb Holder		3X6381-01	1	1	1	1					
4a	Thumbscrew		415949G10	2	2	2	2					
5	Bin Control Thermostat Assembly		3A2561A02	1	1	1	1					
6	Slope		3X6383-01	1	1	1	1					
7	Scoop Holder		4Y0213-01	1	1	1	1					
7a	Thumbscrew		415949G10	2	2	2	2					
8	Leg		4A2966-01	4	4	4	4					
9	Power Supply Cord		4A2860-01	1	1	1	1					
10	Hinge A	AM-50BAE AM-50BAE-AD	4Y0194G01	1	1	-	1					
			4A3997G01			1	-					
	Right Hinge A	AM-50BAE-DS AM-50BAE-ADDS	4A4885G01	1	1	-	1					
			4A3997G02			1	-					
11	Hinge A Bracket		4A2996-01	1	1	1	1					
12	Top Brace		4Y0193-01	1	1	1	1					
13	Hinge B	AM-50BAE AM-50BAE-AD	4Y0192-01	1	1	1	1					
		AM-50BAE-DS AM-50BAE-ADDS	4A3980-01		1	1	1					
13a	Flat Head Screw	4x12, SS	7C22-0412	2	2	2	2					
14	Hinge Stop Pin		4A2180-01	1	1	1	1					
15	Tooth Washer		7R22-0600	1	1	1	1					
16	Rear Panel	AM-50BAE AM-50BAE-DS	2A3304-01	1	1	1	1					
		AM-50BAE-AD AM-50BAE-ADDS	2A3305-01	1	1	1	1					
17	Pipe Cover		3X6432-01	1	1	1	1					
18	Control Box Cover		3A7744-01	1	1	1	1					

B. Refrigeration Circuit

AM-50BAE, AM-50BAE-DS, AM-50BAE-AD, AM-50BAE-ADDS

M-0 to G-0



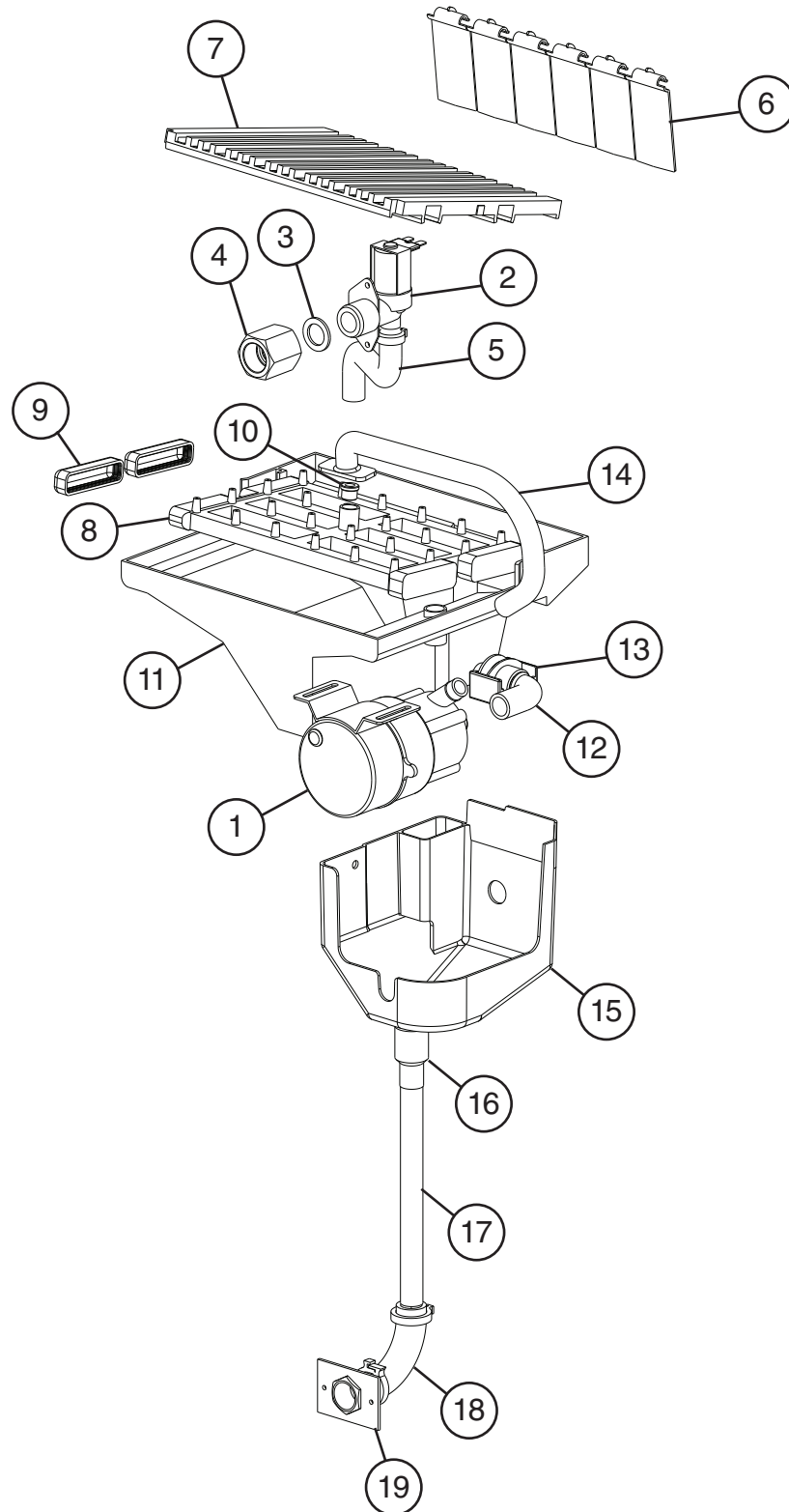
Title: B. Refrigeration Circuit Model: AM-50BAE, AM-50BAE-DS, AM-50BAE-AD, AM-50BAE-ADDS

Index No.	Description	Material or Model Number	Part Number	Required Number									
				M-0 to G-0									
1	Compressor		455942-01	1									
2	PTC Relay		456252-01	1									
3	Motor Protector		456254-01	1									
4	Condenser		2H5586-01	1									
5	Fan Motor		440916-01	1									
6	Fan Blade		3A4467-01	1									
6a	Washer		435983-01	1									
6b	Hex Nut		4A1345-01	1									
7	Valve Body		4A3275-01	1									
8	Valve Coil		4A3277-01	1									
9	Evaporator		3X3948G01	1									
10	Thermistor		425373-05	1									
11	Thermistor Holder		3H9642-01	1									
12	Strainer		441569-01	1									
13	Drier		445655-04	1									
14	Heat Exchanger Assembly (includes accumulator)	AM-50BAE AM-50BAE-DS	3X6438G01	1									
		AM-50BAE-AD AM-50BAE-ADDS	3X6438G02	1									

C. Water Circuit

AM-50BAE, AM-50BAE-DS, AM-50BAE-AD, AM-50BAE-ADDS

M-0 to G-0



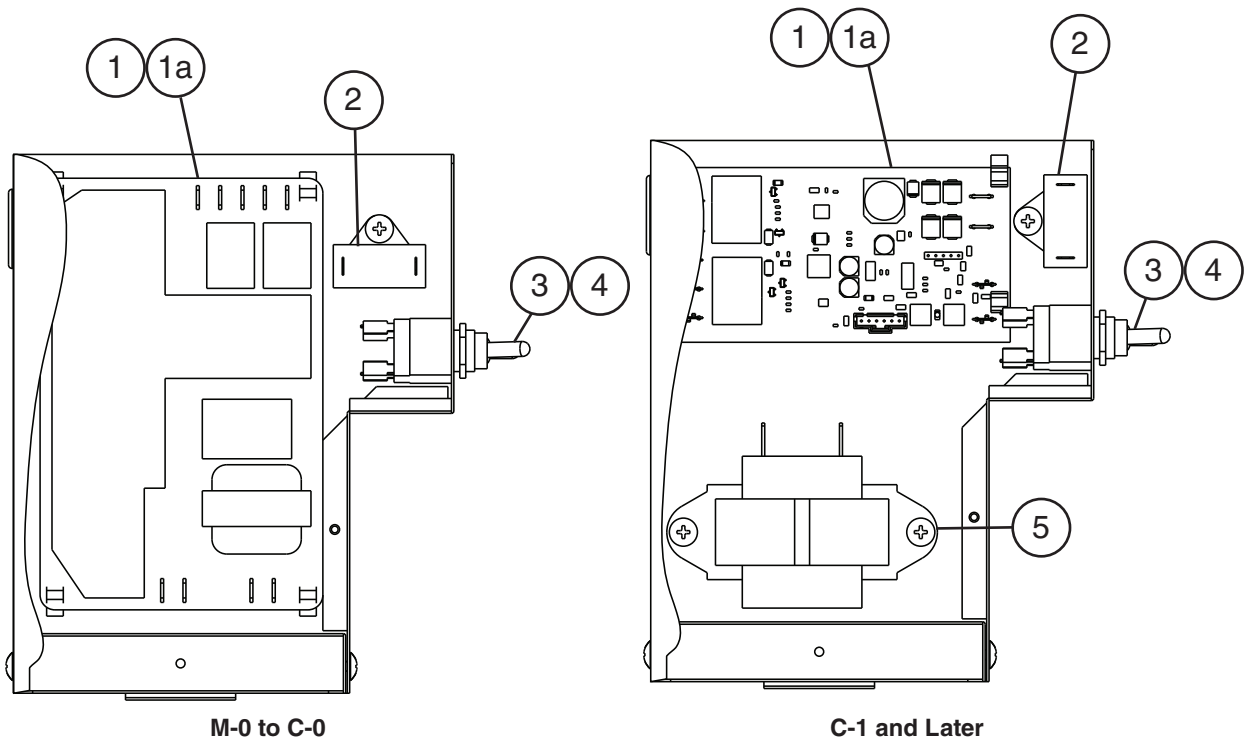
Title: C. Water Circuit Model: AM-50BAE, AM-50BAE-DS, AM-50BAE-AD, AM-50BAE-ADDS

Index No.	Description	Material or Model Number	Part Number	Required Number									
				M-0 to N-2	P-0	P-1 to E-0	E-1	F-0	F-1 G-0				
1	Pump Motor		463045-01	1	1	1	-	1	-				
			3A8334-01				1	-	1				
2	Water Valve		458548-01	1	1	1	1	1	1				
3	Rubber Gasket		413854-03		1	1	1	1	1				
4	Fitting C		4A3240-01		1	1	1	1	1				
5	Water Valve Tube		4X7938-01	1	1	1	1	1	1				
6	Separator		4X7933-01	6	6	6	6	6	6				
7	Ice Chute		3X3863-01	1	1	1	1	1	1				
8	Nozzle		2H4536-01	1	1	1	1	1	1				
9	Cap		4X7936-01	2	2	2	2	2	2				
10	Reducing Pipe		4A2903-01	1	1	1	1	1	1				
11	Water Tank		2H4535-01	1	1	1	1	1	1				
12	Suction Tube		4X7937-01	1	1	1	1	1	1				
13	Joint		4X7934-01	1	1	1	1	1	1				
14	Discharge Tube		3X3864-01	1	1	1	1	1	1				
15	Drain Pan		2H4534-01	1	1	1	1	1	1				
16	Drain Tube		4H2585-01	1	1	1	1	1	1				
17	Drain Pipe		4Y0211-01	1	1	1	1	1	1				
18	Elbow Hose		4A1165-07	1	1	-							
			4A1165-08			1	1	1	1				
19	Drain Fitting		4A3488G01			1	1	1	1				
Hose Clamps													
	Hose Clamp	22-25 mm	4A2017-09		1	2	2	2	2				
	Hose Clamp	15 mm	435934-03	1	-								
	Hose Clamp	15-17 mm	4A2017-07		1	1	1	1	1				

D. Control Box Assembly

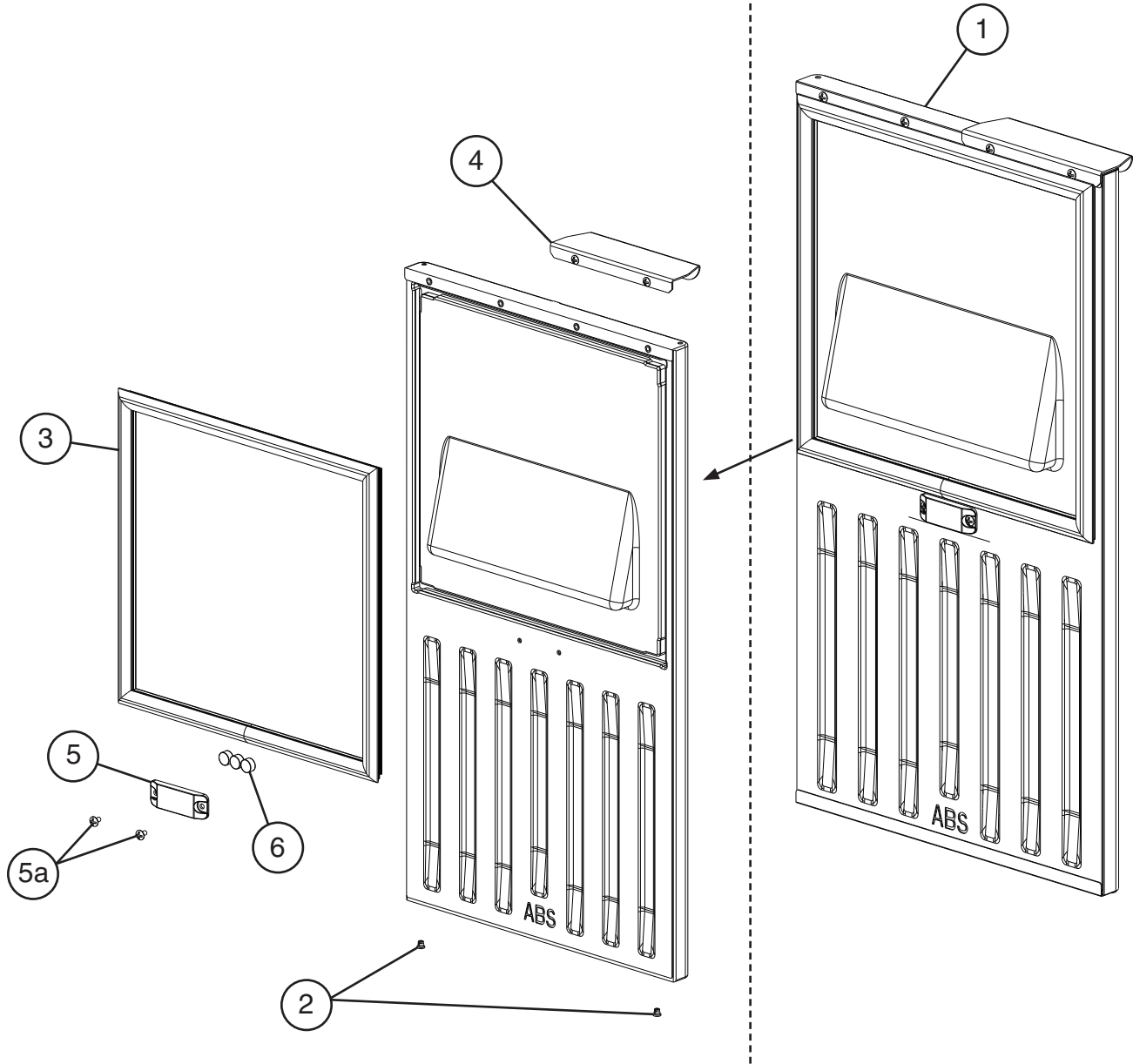
AM-50BAE, AM-50BAE-DS, AM-50BAE-AD, AM-50BAE-ADDS

M-0 to G-0



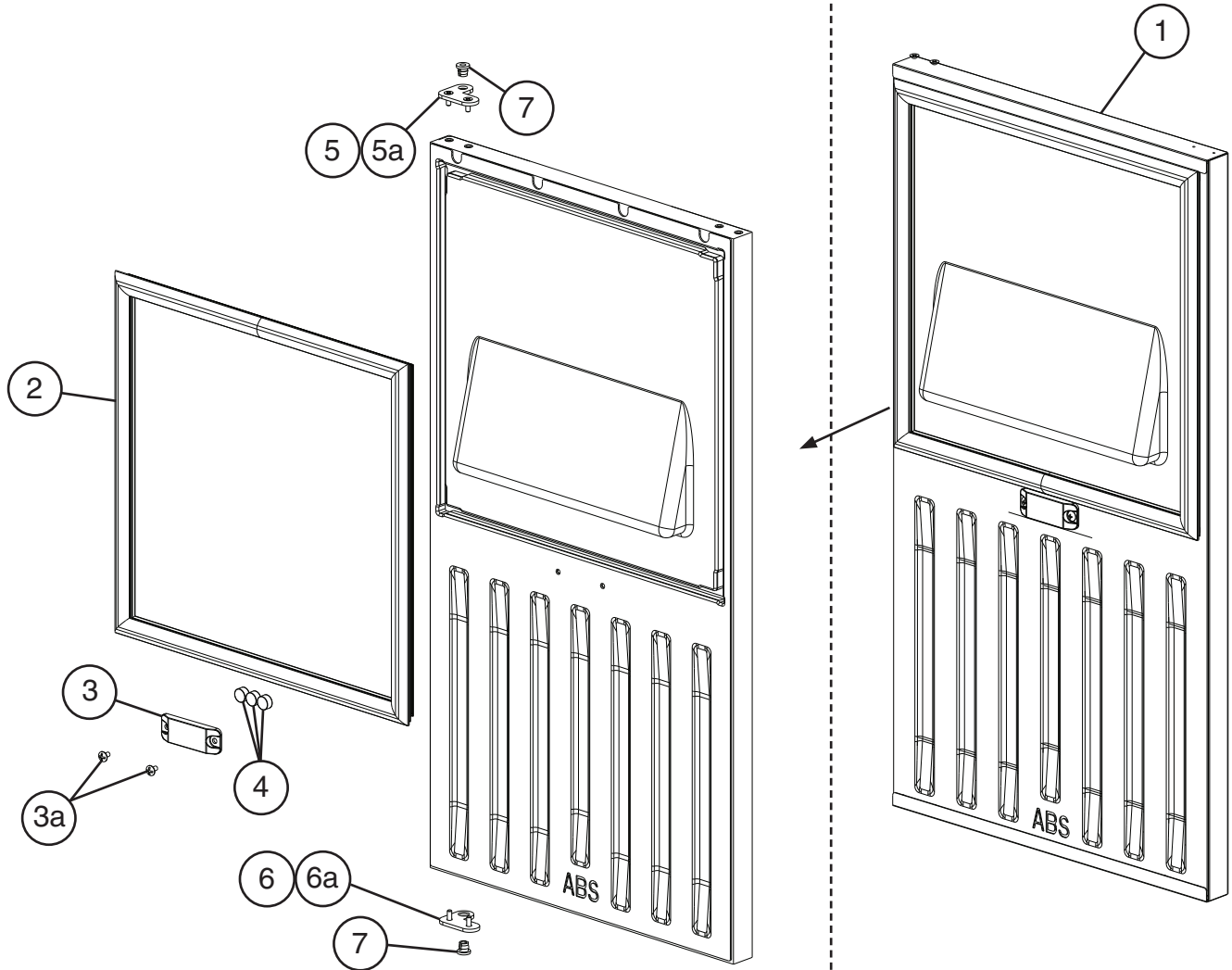
Title: D. Control Box Assembly Model: AM-50BAE, AM-50BAE-DS, AM-50BAE-AD, AM-50BAE-ADDS										
Index No.	Description	Material or Model Number	Part Number	Required Number						
				M-0 to C-0	C-1 to E-0	E-1	F-0	F-1 G-0		
1	Control Board		463046-01	1	-					
			4A5520-01		1	1	1	1		
1a	Control Board Support		4A0336-03	4	4	4	4	4		
2	Pump Motor Capacitor	1MFD, 200VAC	463047-01	1	1	-	1	-		
3	Control Switch		443119-01	1	1	1	1	1		
4	Cap		4A1937-01	1	1	1	1	1		
5	Control Transformer		4A0557-01		1	1	1	1		

E. Door Assembly
AM-50BAE, AM-50BAE-AD
 M-0 to G-0



Title: E. Door Assembly Model: AM-50BAE, AM-50BAE-AD																	
Index No.	Description	Material or Model Number	Part Number	Required Number													
				M-0 to G-0													
1	Door Assembly (includes items 2 through 6)	AM-50BAE	SP-5331	1													
		AM-50BAE-AD	SP-5332	1													
2	Bushing		417486-01	2													
3	Gasket		2A3017-01	1													
4	Handle		4A2867-01	1													
5	Magnet Holder		4Y0203-01	1													
5a	Truss Head Screw		7C32-0408	2													
6	Magnet		4A4686-01	2													

E. Door Assembly
AM-50BAE-DS, AM-50BAE-ADDS
 R-0 to G-0

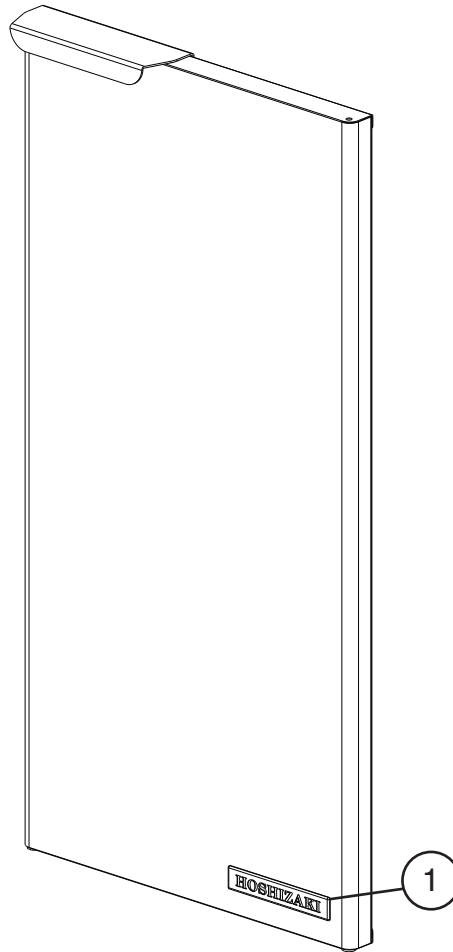


Title: F. Door Assembly Model: AM-50BAE-DS, AM-50BAE-ADDS					Required Number							
Index No.	Description	Material or Model Number	Part Number	R-0 to G-0								
1	Door Assembly (includes items 2 through 4)	AM-50BAE-DS	SP-5334	1								
		AM-50BAE-ADDS	SP-5333	1								
2	Gasket		2A3017-01	1								
3	Magnet Holder		4Y0203-01	1								
3a	Truss Head Screw		7C32-0408	2								
4	Magnet		4A4686-01	2								
5	Hinge C Assembly (UR, LL) (includes one of item 7)		4A3983G01	1								
5a	Flat Head Screw	4x12, SS	7C22-0412	2								
6	Hinge C Assembly (LR, UL) (includes one of item 7)		4A3983G02	1								
6a	Flat Head Screw	4x12, SS	7C22-0412	2								
7	Bushing		417486-01	2								

F. Accessories & Labels

AM-50BAE, AM-50BAE-DS, AM-50BAE-AD, AM-50BAE-ADDS

M-0 to G-0



Title: F. Accessories & Labels Model: AM-50BAE, AM-50BAE-DS, AM-50BAE-AD, AM-50BAE-ADDS										
Index No.	Description	Material or Model Number	Part Number	Required Number						
				M-0 to D-0 (A)	D-0 (B) to G-0					
1	Hoshizaki Emblem		4A0560-01	1	1					
2	Scoop		204336-01	1	1					
3	Control Label		463253-01	1	1					
4	Canoe Clip	AM-50BAE-DS	4A0629-02	2	-					
		AM-50BAE-ADDS	4A5835-01		2					
5	Sheet Metal Bracket	AM-50BAE-DS AM-50BAE-ADDS	4A3998-01	1	1					
6	Threaded Wood Insert	AM-50BAE-DS AM-50BAE-ADDS	4A4004-01	6	6					
7	Pan Head Screw	AM-50BAE-DS AM-50BAE-ADDS	7C12-0425	4	4					
8	Truss Head Screw	AM-50BAE-DS AM-50BAE-ADDS	7C32-0408	2	2					
9	T2 Screw	AM-50BAE-DS AM-50BAE-ADDS	7P32-0408	3	3					