



# HOSHIZAKI

## Parts List

### Self-Contained Cuber

#### Models

AM-50BAJ

AM-50BAJ-DS

AM-50BAJ-AD

AM-50BAJ-ADDS



[hoshizakiamerica.com](http://hoshizakiamerica.com)

Number: 71397  
Issued: 12-27-2017  
Revision: 1-31-2023

## CONTENTS

Auxiliary Codes.....	3
Note About Ordering Parts .....	4
A. Main Assembly .....	5
B. Refrigeration Circuit.....	7
C. Water Circuit.....	9
D. Control Box Assembly.....	11
E. Door Assembly .....	12
AM-50BAJ, AM-50BAJ-AD .....	12
AM-50BAJ-DS, AM-50BAJ-ADDS .....	13
F. Accessories & Labels.....	14

## Auxiliary Codes

### AM-50BAJ

G-0 October 2017  
H-0 January 2018  
H-1 September 2018  
J-0 January 2019  
J-1 October 2019  
K-0 January 2020  
K-1 May 2020  
L-0 January 2021  
M-0 February 2022  
M-1 July 2022  
M-2 December 2022  
N-0 January 2023

### AM-50BAJ-DS

G-0 October 2017  
H-0 January 2018  
H-1 September 2018  
J-0 January 2019  
J-1 October 2019  
K-0 January 2020  
K-1 July 2020  
L-0 January 2021  
M-0 January 2022  
M-1 July 2022  
N-0 January 2023

### AM-50BAJ-AD

G-0 October 2017  
H-0 January 2018  
H-1 September 2018  
J-0 January 2019  
J-1 October 2019  
K-0 January 2020  
K-1 May 2020  
L-0 January 2021  
M-0 February 2022  
M-1 July 2022  
M-2 December 2022  
N-0 January 2023

### AM-50BAJ-ADDS

G-0 October 2017  
H-0 January 2018  
H-1 September 2018  
J-0 January 2019  
K-0 January 2020  
K-1 July 2020  
L-0 February 2021  
M-0 February 2022  
M-1 August 2022  
N-0 January 2023

<b>Beginning Serial Numbers for Front Panel Change</b>		
<b>Model</b>	<b>Part Number</b>	<b>Serial Number Break</b>
<b>AM-50BAJ</b>	<b>3X6433-01</b>	<b>H12215J and Earlier</b>
	<b>2A8926-01</b>	<b>H12216J and Later</b>
<b>AM-50BAJ-AD</b>	<b>3X6433-02</b>	<b>H11660J and Earlier</b>
	<b>2A8926-02</b>	<b>H11661J and Later</b>

### **Auxiliary Code Breakdown**

The auxiliary code is the first two characters in the serial number. The first character indicates the year. Years progress or regress in alphabetical order. The series runs from "A" through "V" and the letters "I" and "O" are skipped. The second character indicates significant part changes within a year. Base is "0" and this number advances for each change. In cases where there is a letter in parentheses, this designates the month. This is the last character in the serial number. The series runs from "(A)" through "(M)" and the letter "(I)" is skipped. This designation is only included when identifying a parts change within an auxiliary code.

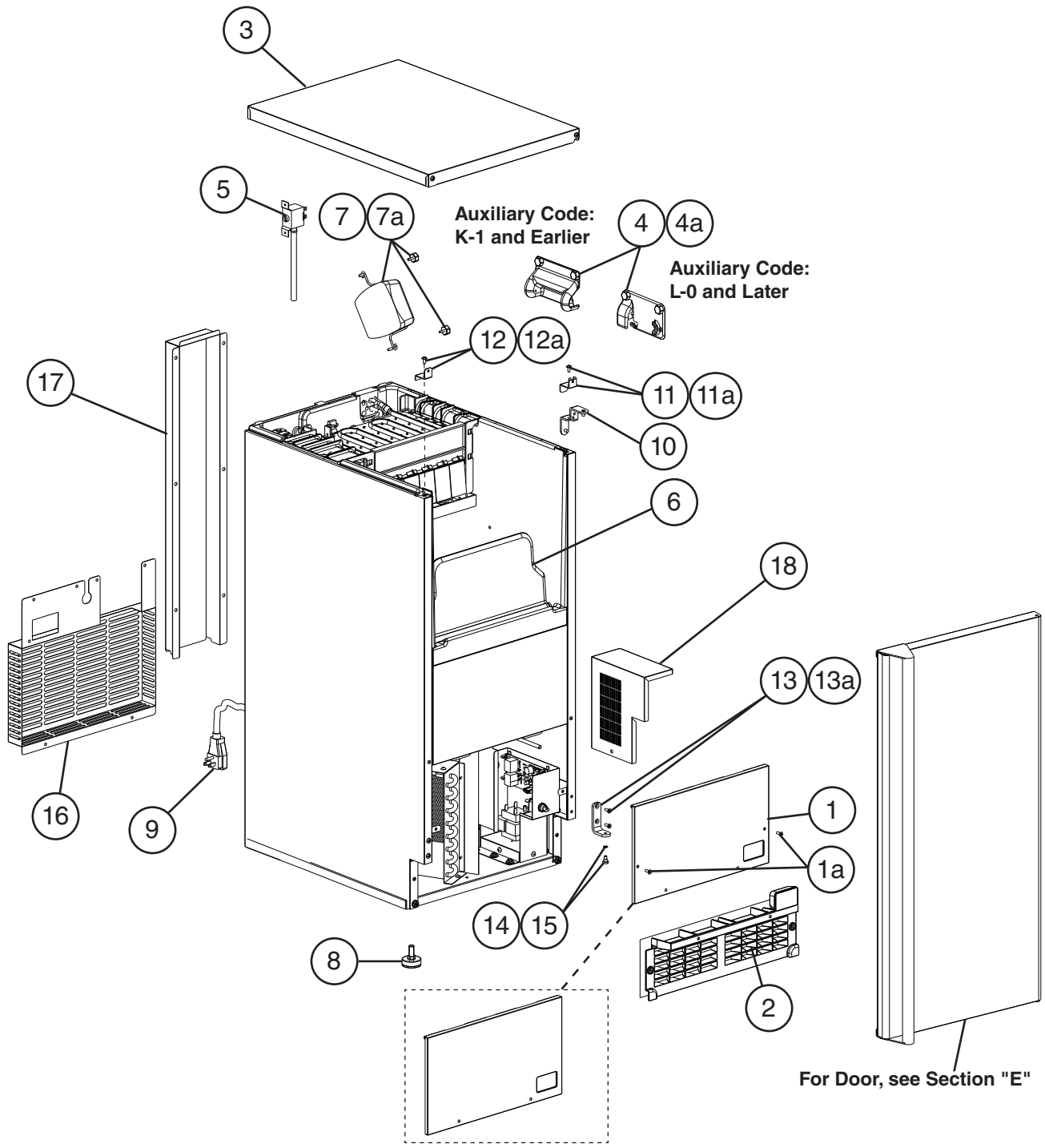
### **Note About Ordering Parts**

Most assemblies cannot be ordered as complete units; parts in the assemblies generally must be ordered separately.

# A. Main Assembly

## AM-50BAJ, AM-50BAJ-DS, AM-50BAJ-AD, AM-50BAJ-ADDS

G-0 to N-0



\* See page 4 for Aux. Code Break

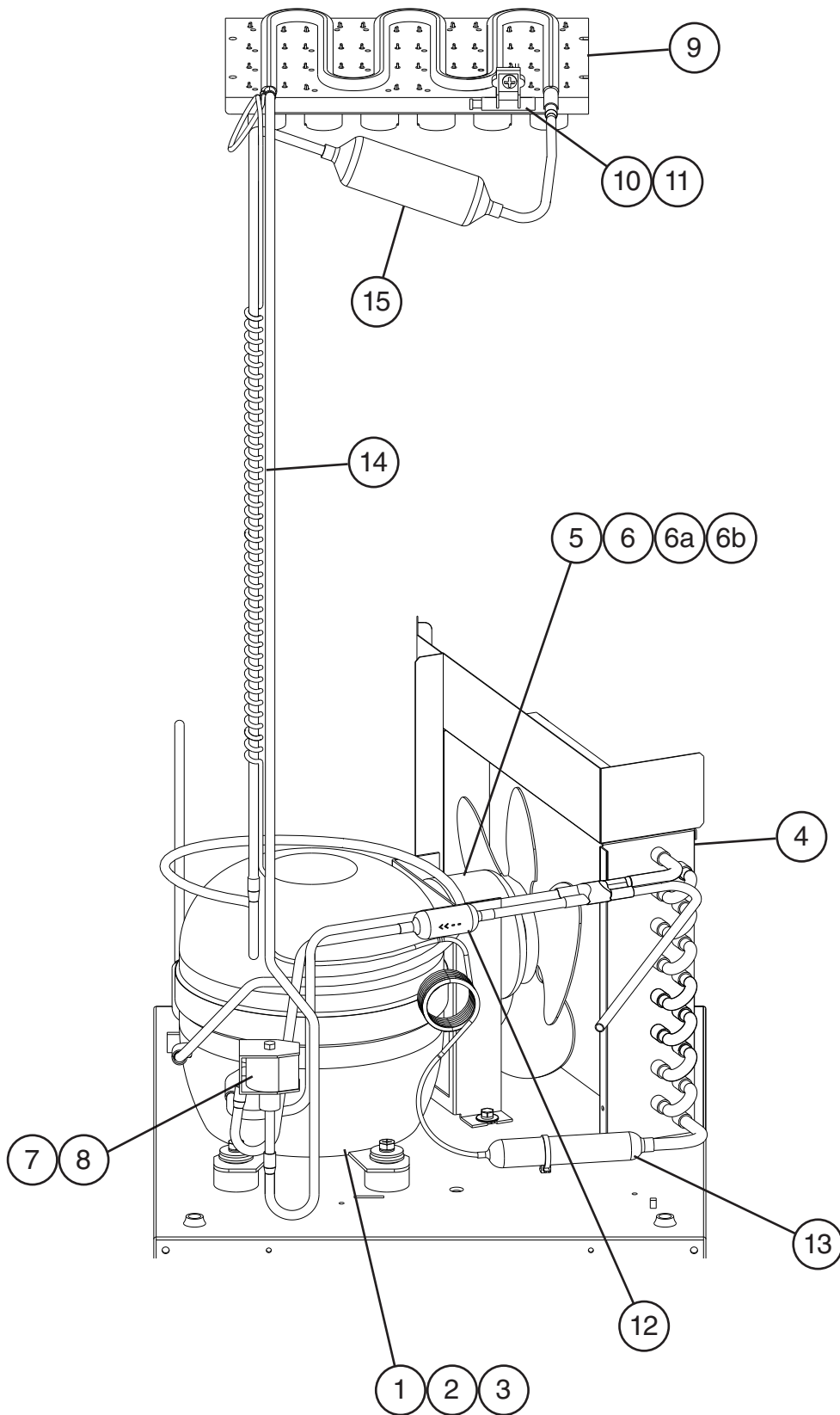
7

Title: A. Main Assembly Model: AM-50BAJ, AM-50BAJ-DS, AM-50BAJ-AD, AM-50BAJ-ADDS												
Index No.	Description	Material or Model Number	Part Number	Required Number								
				G-0 to H-0	*H-1 (J) to J-0 (C)	J-0 (D) to K-1	L-0 to N-0					
1	Front Panel *See page 4 for Aux. Code Break.	AM-50BAJ	3X6433-01	1	-							
			*2A8926-01		*1	1	1					
		AM-50BAJ-DS	3X6433-01	1	-							
			2A8926-01		1	1	1					
		AM-50BAJ-AD	3X6433-02	1	-							
			*2A8926-02		*1	1	1					
AM-50BAJ-ADDS	3X6433-02	1	-									
	2A8926-02		1	1	1							
1a	Screw		7P32-0410		*2	2	2					
2	Louver		2H5560-01	1	1	1	1					
3	Top Panel		2A2849G01	1	1	1	1					
4	Bin Control Thermostat Bulb Holder		3X6381-01	1	1	1	-					
			2A9795-01				1					
4a	Thumbscrew		415949G10	2	2	2	2					
5	Bin Control Thermostat Assembly		3A2561A02	1	1	1	1					
6	Slope		3X6383-01	1	1	1	1					
7	Scoop Holder		4Y0213-01	1	1	1	1					
7a	Thumbscrew		415949G10	2	2	2	2					
8	Leg		4A2966-01	4	4	4	4					
9	Power Supply Cord		4A2860-01	1	1	-						
			4A5718-01			1	1					
10	Hinge A	AM-50BAJ AM-50BAJ-AD	4Y0194G01	1	1	1	1					
	Right Hinge A	AM-50BAJ-DS AM-50BAJ-ADDS	4A4885G01	1	1	1	1					
11	Hinge A Bracket		4A2996-01	1	1	1	1					
11a	Screw		7C32-0410	1	1	1	1					
12	Top Brace		4Y0193-01	1	1	1	1					
12a	Screw		7C32-0410	1	1	1	1					
13	Hinge B	AM-50BAJ AM-50BAJ-AD	4Y0192-01	1	1	1	1					
		AM-50BAJ-DS AM-50BAJ-ADDS	4A3980-01	1	1	1	1					
13a	Flat Head Screw	4x12, SS	7C22-0412	2	2	2	2					
14	Hinge Stop Pin		4A2180-01	1	1	1	1					
15	Tooth Washer		7R22-0600	1	1	1	1					
16	Rear Panel	AM-50BAJ AM-50BAJ-DS	2A3304-01	1	1	1	1					
		AM-50BAJ-AD AM-50BAJ-ADDS	2A3305-01	1	1	1	1					
17	Pipe Cover		3X6432-01	1	1	1	1					
18	Control Box Cover		3A7744-01	1	1	1	1					

## B. Refrigeration Circuit

AM-50BAJ, AM-50BAJ-DS, AM-50BAJ-AD, AM-50BAJ-ADDS

G-0 to N-0

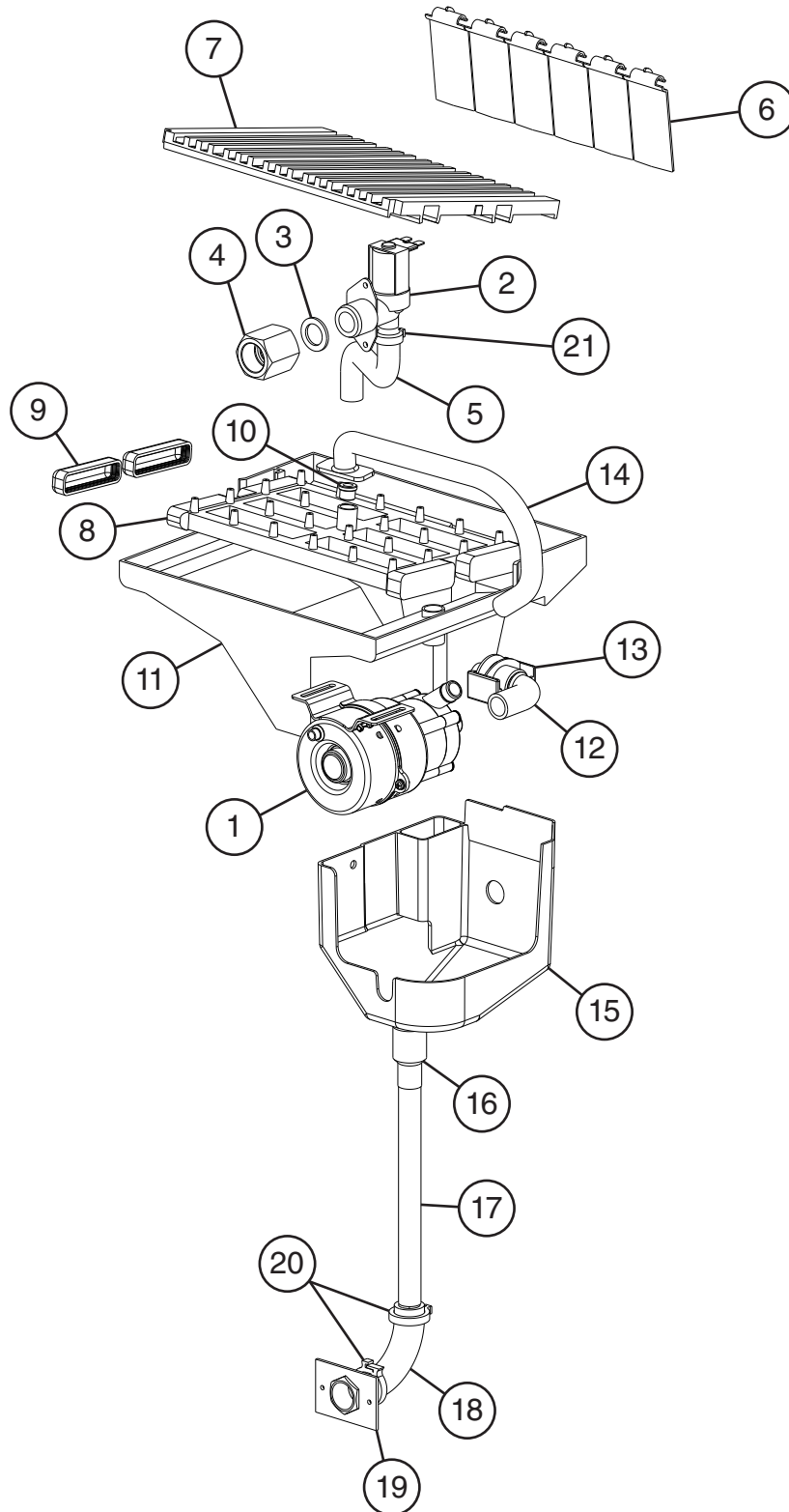


Title: B. Refrigeration Circuit Model: AM-50BAJ, AM-50BAJ-DS, AM-50BAJ-AD, AM-50BAJ-ADDS												
Index No.	Description	Material or Model Number	Part Number	Required Number								
				G-0 to K-1	L-0 to M-0	M-1 to N-0						
1	Compressor		455942-01	1	1	1						
2	PTC Relay		456252-01	1	1	1						
3	Motor Protector		456254-01	1	1	1						
4	Condenser		2H5586-01	1	1	1						
5	Fan Motor		440916-01	1	1	-						
			4A7228-01			1						
6	Fan Blade		3A4467-01	1	1	1						
6a	Washer		435983-01	1	1	1						
6b	Hex Nut		4A1345-01	1	1	1						
7	Valve Body		4A3275-01	1	1	1						
8	Valve Coil		4A3277-01	1	1	1						
9	Evaporator		3X3948G01	1	-							
			2X3515G01		1	1						
10	Thermistor		425373-05	1	1	1						
11	Thermistor Holder		3H9642-01	1	1	1						
12	Strainer		441569-01	1	1	1						
13	Drier		445655-04	1	1	1						
14	Heat Exchanger (includes item 15)		3X6438G01	1	1	-						
			3B1346G01			1						
15	Accumulator		460537-02	1	1	1						

## C. Water Circuit

AM-50BAJ, AM-50BAJ-DS, AM-50BAJ-AD, AM-50BAJ-ADDS

G-0 to N-0

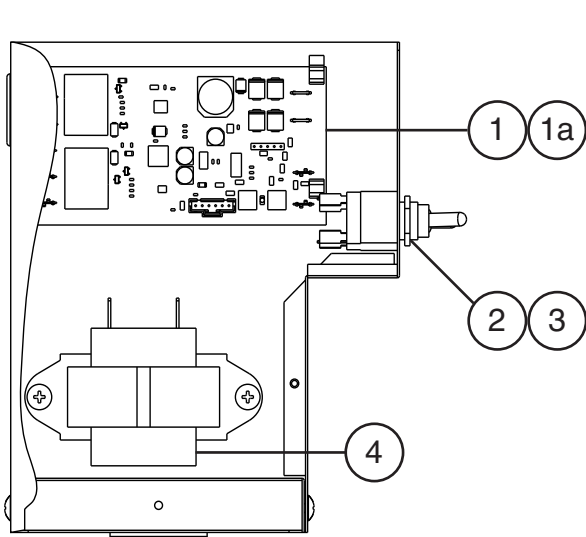


Title: C. Water Circuit Model: AM-50BAJ, AM-50BAJ-DS, AM-50BAJ-AD, AM-50BAJ-ADDS											
Index No.	Description	Material or Model Number	Part Number	Required Number							
				G-0 to K-0	K-1 to M-2	N-0					
1	Pump Motor	SP-5219	3A8334-01	1	1	-					
			3B1175-01			1					
2	Inlet Water Valve		458548-01	1	-						
			4A6722-01		1	1					
3	Rubber Gasket		413854-03	1	1	1					
4	Fitting C		4A3240-01	1	1	1					
5	Water Valve Tube		4X7938-01	1	1	1					
6	Separator		3A9811-01	6	6	6					
7	Ice Chute		3X3863-01	1	1	1					
8	Nozzle		2H4536-01	1	1	1					
9	Cap		4X7936-01	2	2	2					
10	Reducing Pipe		4A2903-01	1	1	1					
11	Water Tank		2H4535-01	1	1	1					
12	Suction Tube		4X7937-01	1	1	1					
13	Joint		4X7934-01	1	1	1					
14	Discharge Tube		3X3864-01	1	1	1					
15	Drain Pan		2H4534-01	1	1	1					
16	Drain Tube		4H2585-01	1	1	1					
17	Drain Pipe		4Y0211-01	1	1	1					
18	Elbow Hose		4A1165-08	1	1	1					
19	Drain Fitting		4A3488G01	1	1	1					
<b>Hose Clamps</b>											
20	Hose Clamp	22-25 mm	4A2017-09	2	2	2					
21	Hose Clamp	13-15 mm	4A2017-08	1	1	1					

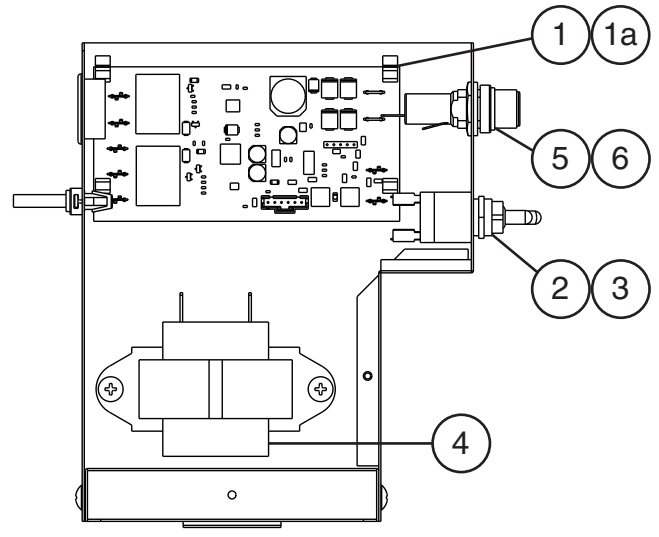
## D. Control Box Assembly

### AM-50BAJ, AM-50BAJ-DS, AM-50BAJ-AD, AM-50BAJ-ADDS

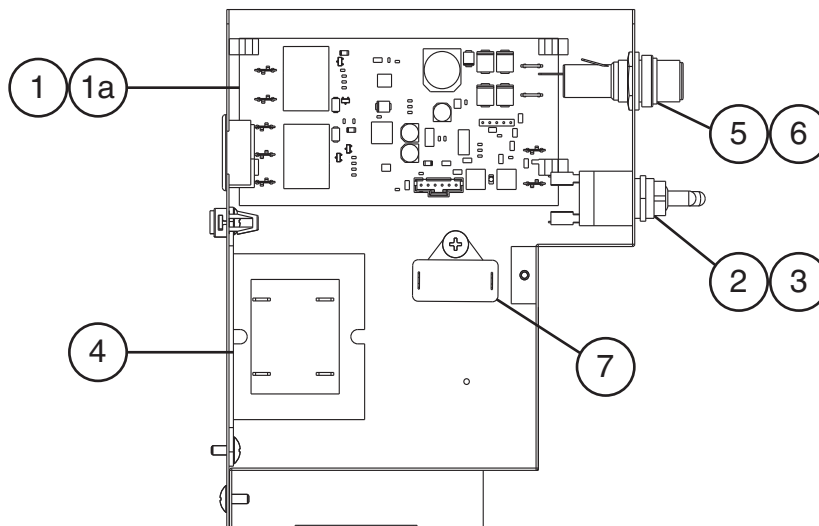
G-0 to N-0



Auxiliary Code: J-0 and Earlier



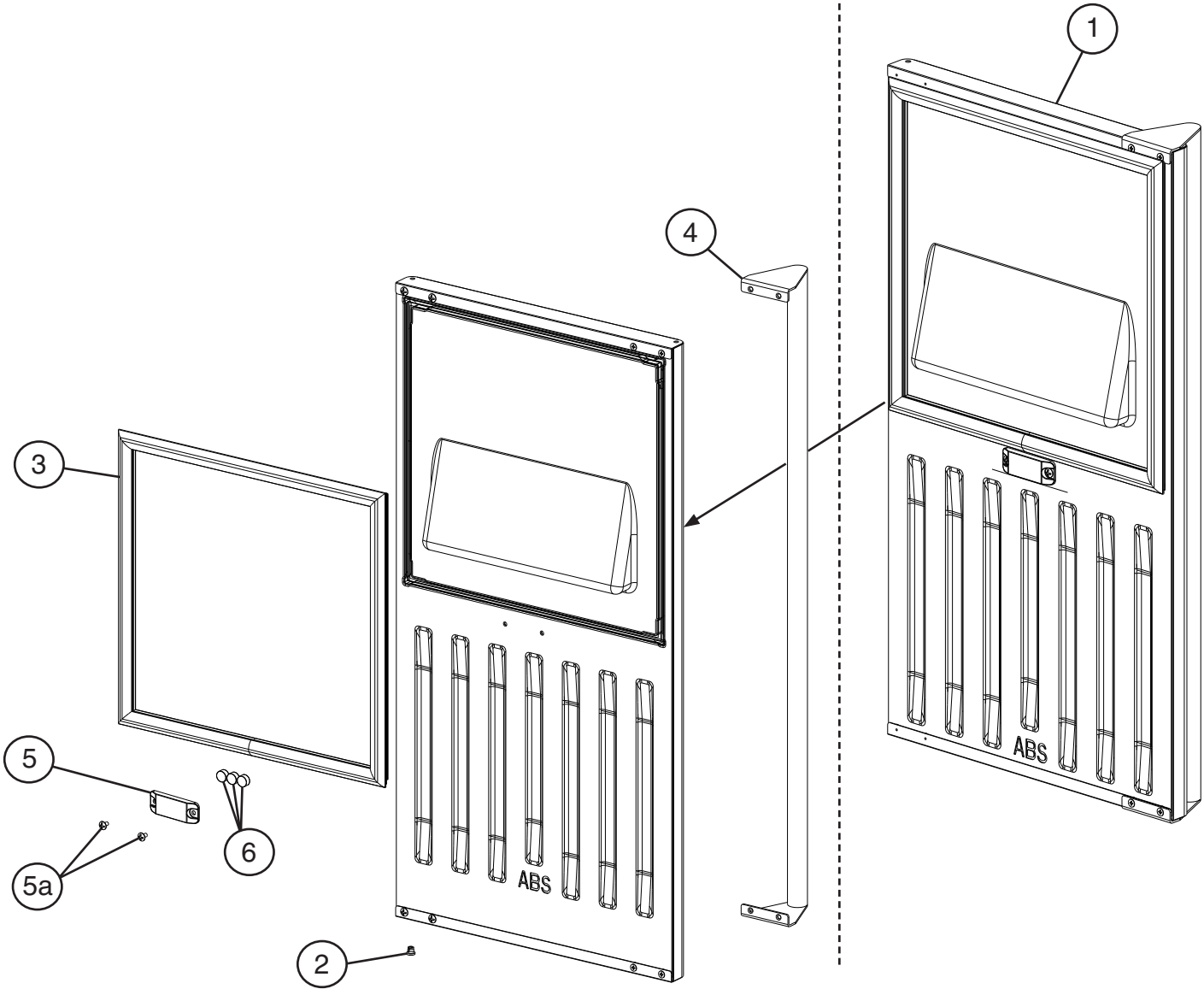
Auxiliary Code: J-1 to M-2



Auxiliary Code: N-0 and Later

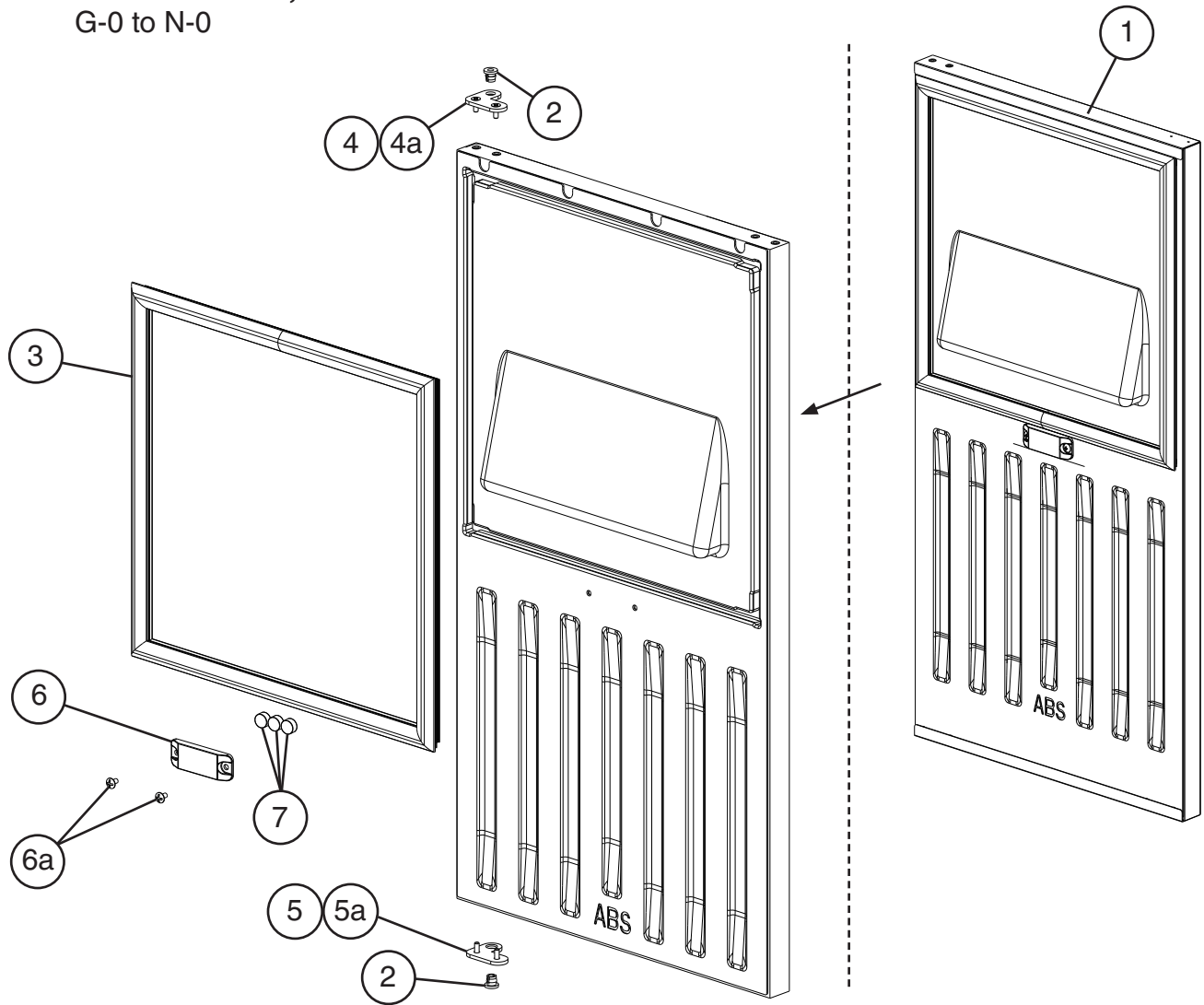
Title: D. Control Box Assembly Model: AM-50BAJ, AM-50BAJ-DS, AM-50BAJ-AD, AM-50BAJ-ADDS				Required Number									
Index No.	Description	Material or Model Number	Part Number	G-0 to J-0	J-1 to L-0	M-0 to M-2	N-0						
				1	Control Board		4A5520-01	1	1	1	1		
1a	Control Board Support		4A0336-03	4	4	4	4						
2	Control Switch		443119-01	1	1	1	1						
3	Cap		4A1937-01	1	1	1	1						
4	Control Transformer		4A0557-01	1	1	1	1						
5	Fuse Holder		4A5443-01		1	1	1						
6	Fuse	1.0 A	4A0893-01		1	-							
		1.25 A	4A0893-11			1	-						
		0.375 A	4A0893-12				1						
7	Pump Capacitor	1 MFD	4A2128-10				1						

**E. Door Assembly**  
**AM-50BAJ, AM-50BAJ-AD**  
 G-0 to N-0



Title: E. Door Assembly Model: AM-50BAJ, AM-50BAJ-AD					Required Number							
Index No.	Description	Material or Model Number	Part Number	G-0 to N-0								
1	Door Assembly (includes items 2 through 6)	AM-50BAJ	SP-5339	1								
		AM-50BAJ-AD	SP-5340	1								
2	Bushing		4A6410-01	1								
3	Gasket		2A3017-01	1								
4	Handle	AM-50BAJ	4A6129-01	1								
		AM-50BAJ-AD	4A6129-02	1								
5	Magnet Holder		4Y0203-01	1								
5a	Truss Head Screw		7C32-0408	2								
6	Magnet		4A4686-01	3								

**E. Door Assembly**  
**AM-50BAJ-DS, AM-50BAJ-ADDS**  
 G-0 to N-0

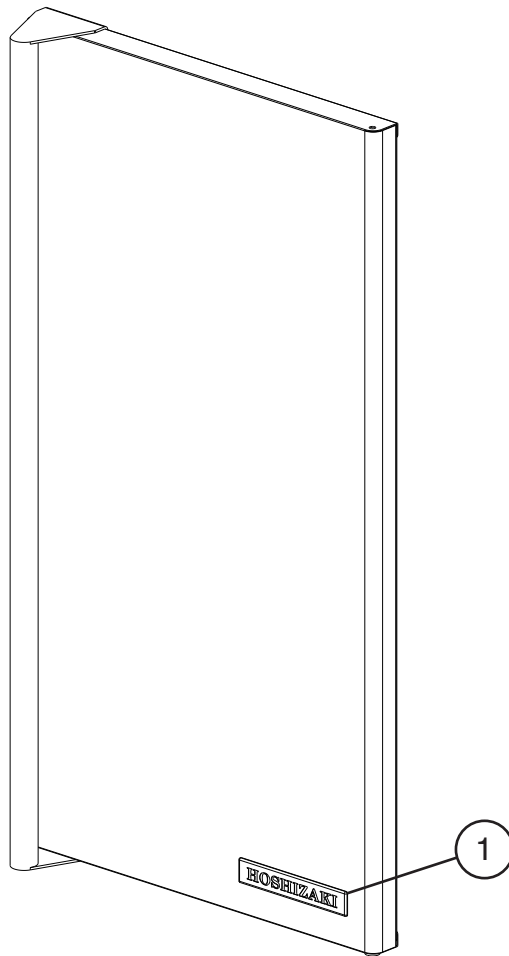


Title: F. Door Assembly Model: AM-50BAJ-DS, AM-50BAJ-ADDS					Required Number								
Index No.	Description	Material or Model Number	Part Number	G-0 to N-0									
1	Door Assembly (includes items 2 through 4)	<b>AM-50BAJ-DS</b>	<b>SP-5334</b>	1									
		<b>AM-50BAJ-ADDS</b>	<b>SP-5333</b>	1									
2	Bushing		4A6410-01	2									
3	Gasket		2A3017-01	1									
4	Hinge C Assembly (UR, LL) (includes one of item 2)		4A3983G01	1									
4a	Flat Head Screw	4x12, SS	7C22-0412	2									
5	Hinge C Assembly (LR, UL) (includes one of item 2)		4A3983G02	1									
5a	Flat Head Screw	4x12, SS	7C22-0412	2									
6	Magnet Holder		4Y0203-01	1									
6a	Truss Head Screw		7C32-0408	2									
7	Magnet		4A4686-01	3									

## F. Accessories & Labels

### AM-50BAJ, AM-50BAJ-DS, AM-50BAJ-AD, AM-50BAJ-ADDS

G-0 to N-0



Title: F. Accessories & Labels Model: AM-50BAJ, AM-50BAJ-DS, AM-50BAJ-AD, AM-50BAJ-ADDS										
Index No.	Description	Material or Model Number	Part Number	Required Number						
				G-0 to N-0						
1	Hoshizaki Emblem	AM-50BAJ AM-50BAJ-AD	4A0560-01	1						
2	Scoop		204336-01	1						
3	Control Label		463253-01	1						
4	Canoe Clip		4A5835-01	2						
5	Sheet Metal Bracket	AM-50BAJ-DS AM-50BAJ-ADDS	4A3998-01	1						
6	Threaded Wood Insert	AM-50BAJ-DS AM-50BAJ-ADDS	4A4004-01	6						
7	Pan Head Screw	AM-50BAJ-DS AM-50BAJ-ADDS	7C12-0425	4						
8	Truss Head Screw	AM-50BAJ-DS AM-50BAJ-ADDS	7C32-0408	2						
9	T2 Screw	AM-50BAJ-DS AM-50BAJ-ADDS	7P32-0408	3						