



# HOSHIZAKI

## Parts List

### Self-Contained Cuber

#### Models

AM-50BAK

AM-50BAK-DS

AM-50BAK-AD

AM-50BAK-ADDS



[hoshizakiamerica.com](http://hoshizakiamerica.com)

Number: 71446

Issued: 1-27-2025

Revised: 9-10-2025

## CONTENTS

Auxiliary Codes.....	3
Note About Ordering Parts .....	3
A. Main Assembly .....	4
B. Refrigeration Circuit.....	6
C. Water Circuit & Ice Making Unit.....	8
D. Control Box Assembly.....	10
E. Door Assembly .....	11
AM-50BAK, AM-50BAK-AD.....	11
AM-50BAK-DS, AM-50BAK-ADDS.....	12
F. Accessories & Labels.....	13

## Auxiliary Codes

### AM-50BAK

P-0 January 2024

P-1 August 2024

Q-0 March 2025

### AM-50BAK-DS

Q-0 March 2025

### AM-50BAK-AD

Q-0 March 2025

### AM-50BAK-ADDS

Q-0 March 2025

## Auxiliary Code Breakdown

The auxiliary code is the first two characters in the serial number. The first character indicates the year. Years progress or regress in alphabetical order. The series runs from "A" through "V" and the letters "I" and "O" are skipped. The second character indicates significant part changes within a year. Base is "0" and this number advances for each change. In cases where there is a letter in parentheses, this designates the month. This is the last character in the serial number. The series runs from "(A)" through "(M)" and the letter "(I)" is skipped. This designation is only included when identifying a parts change within an auxiliary code.

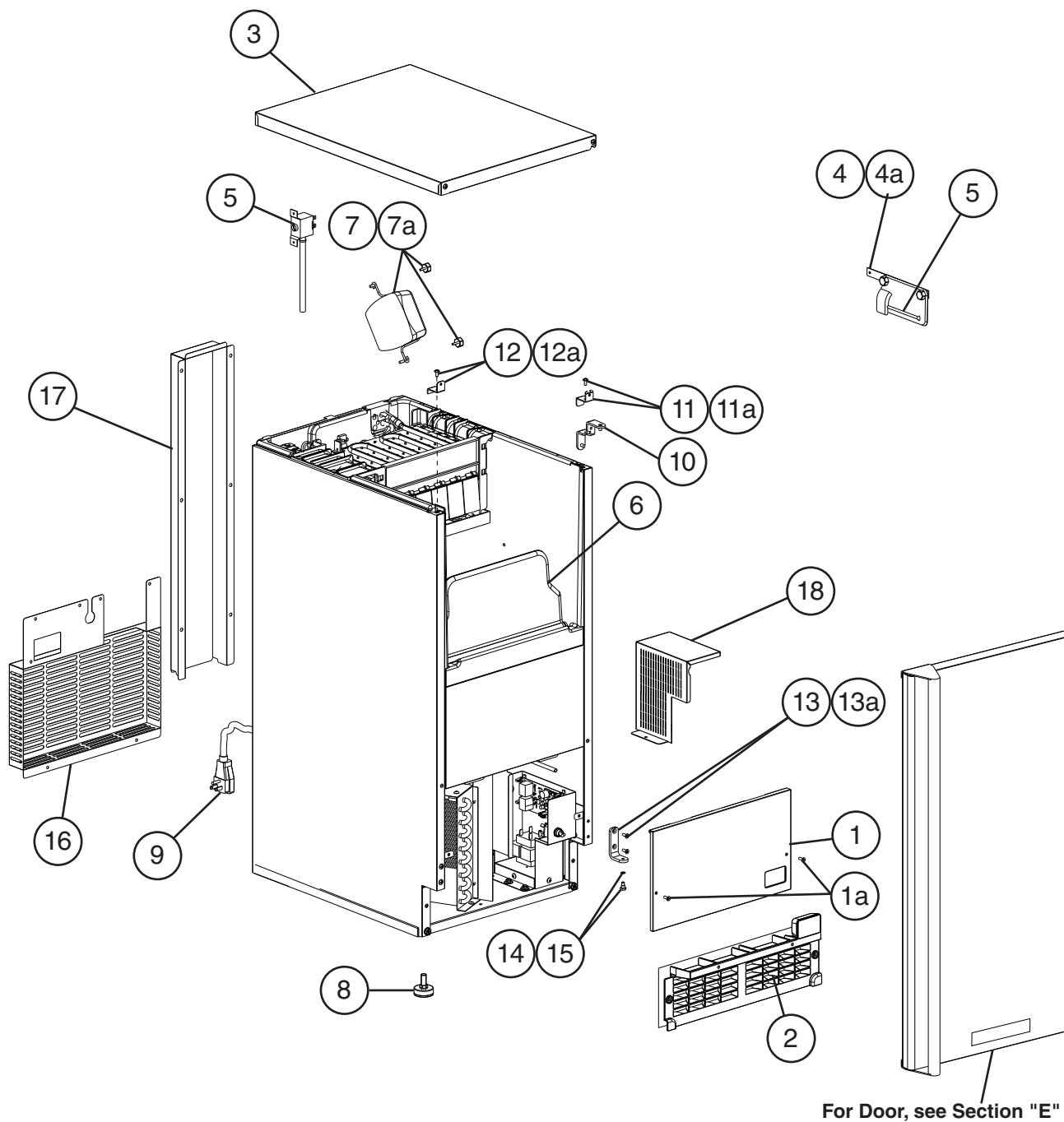
## Note About Ordering Parts

Most assemblies cannot be ordered as complete units; parts in the assemblies generally must be ordered separately.

# A. Main Assembly

## AM-50BAK, AM-50BAK-DS, AM-50BAK-AD, AM-50BAK-ADDS

P-0 to Q-0

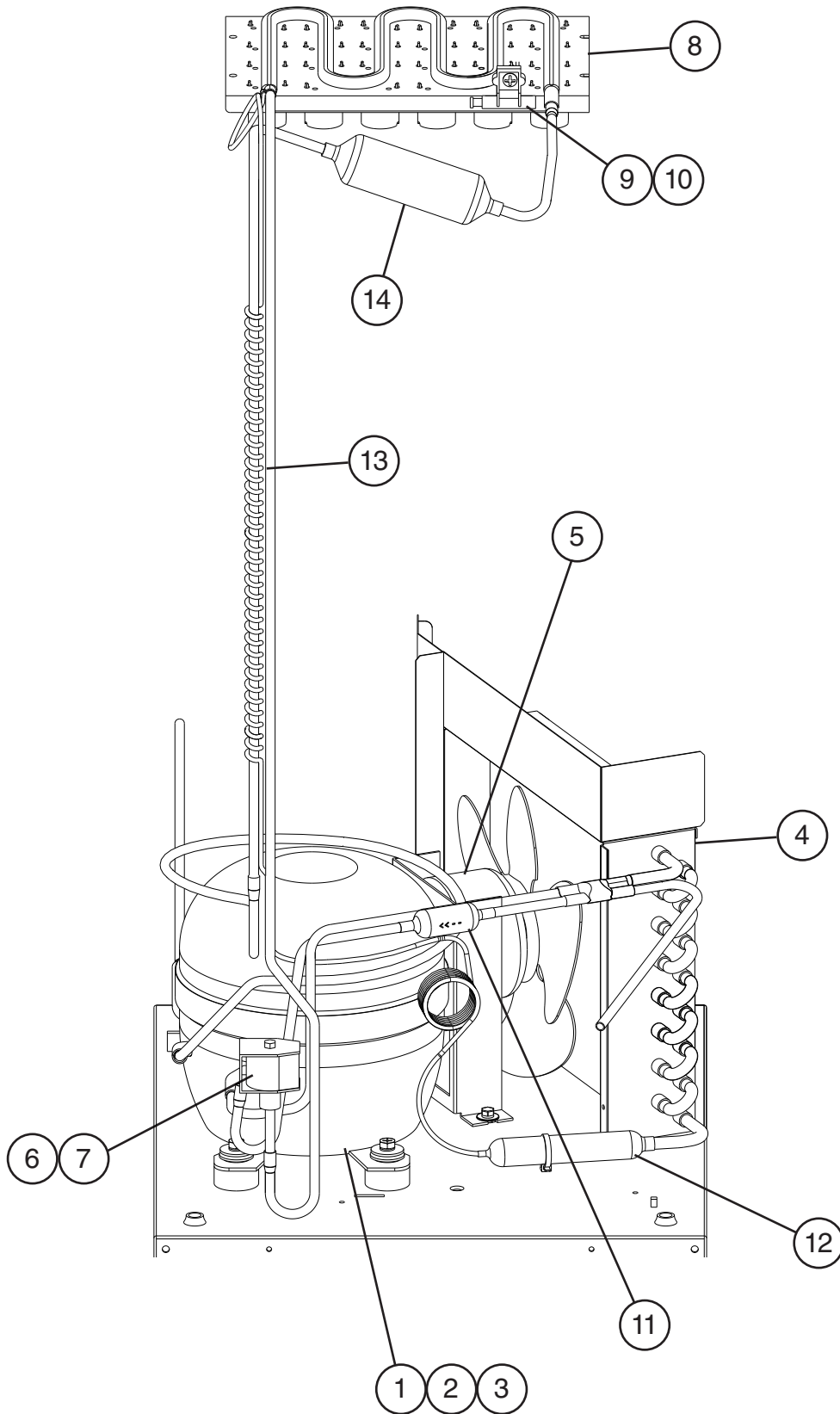


Title: A. Main Assembly Model: AM-50BAK, AM-50BAK-DS, AM-50BAK-AD, AM-50BAK-ADDS											
Index No.	Description	Material or Model Number	Part Number	P-0 to Q-0	Required Number						
1	Front Panel	AM-50BAK AM-50BAK-DS	2A8926-01	1							
		AM-50BAK-AD AM-50BAK-ADDS	2A8926-02	1							
1a	Screw		7P32-0410	1							
2	Louver		2H5560-01	1							
3	Top Panel Assembly		2B0910G01	1							
4	Thermistor Holder		2B0632-01	1							
4a	Thumbscrew		415949G10	2							
5	Bin Control Thermistor		2B0601-01	1							
6	Slope		3X6383-01	1							
7	Scoop Holder		4Y0213-01	1							
7a	Thumbscrew		415949G10	2							
8	Leg		4A2966-01	4							
9	Power Supply Cord		4A5718-01	1							
10	Hinge A	AM-50BAK AM-50BAK-AD	4Y0194G01	1							
	Hinge A (R)	AM-50BAK-DS AM-50BAK-ADDS	4A4885G01	1							
11	Hinge A Bracket		3B1873-01	1							
11a	Screw		7C32-0410	1							
12	Top Brace		4Y0193-01	1							
12a	Screw		7C32-0410	1							
13	Hinge B	AM-50BAK AM-50BAK-AD	4Y0192-01	1							
		AM-50BAK-DS AM-50BAK-ADDS	4A7471-01	1							
13a	Flat Head Screw	4x12, SS	7C22-0412	2							
14	Hinge Stop Pin		4A2180-01	1							
15	Tooth Washer		7R22-0600	1							
16	Rear Louver Panel	AM-50BAK AM-50BAK-DS	2B0706-01	1							
		AM-50BAK-AD AM-50BAK-ADDS	2B0714-01	1							
17	Pipe Cover		3B1915-01	1							
18	Control Box Cover		3B1846-01	1							

## B. Refrigeration Circuit

AM-50BAK, AM-50BAK-DS, AM-50BAK-AD, AM-50BAK-ADDS

P-0 to Q-0

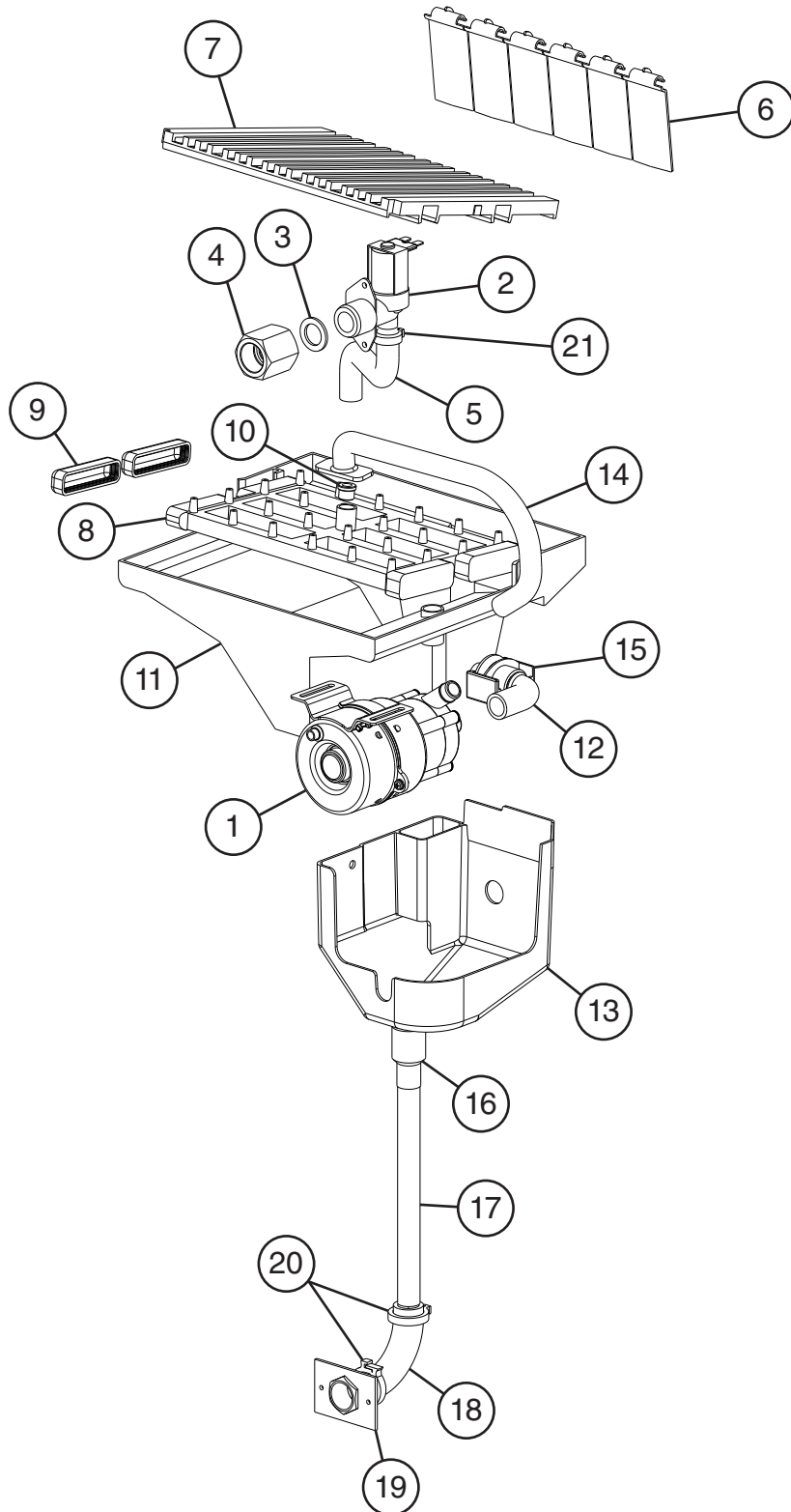


Title: B. Refrigeration Circuit Model: AM-50BAK, AM-50BAK-DS, AM-50BAK-AD, AM-50BAK-ADDS													
Index No.	Description	Material or Model Number	Part Number	P-0 to Q-0	Required Number								
1	Compressor		<a href="#">4A7346-01</a>	1									
2	PTC Start Relay		<a href="#">4A7349-01</a>	1									
3	External Protector		<a href="#">4A7438-01</a>	1									
4	Condenser		<a href="#">2H5586-01</a>	1									
5	Fan Motor Assembly		<a href="#">1A8025A01</a>	1									
6	Valve Body		<a href="#">4A3275-01</a>	1									
7	Valve Coil		<a href="#">4A3277-01</a>	1									
8	Evaporator		<a href="#">2X3515G01</a>	1									
9	Thermistor - Evaporator		<a href="#">425373-05</a>	1									
10	Thermistor Holder		<a href="#">3H9642-01</a>	1									
11	Strainer		<a href="#">441569-03</a>	1									
12	Drier		<a href="#">445655-04</a>	1									
13	Heat Exchanger Assembly (includes item 12)		<a href="#">3B1631G01</a>	1									
14	Accumulator		<a href="#">460537-02</a>	1									

### C. Water Circuit & Ice Making Unit

AM-50BAK, AM-50BAK-DS, AM-50BAK-AD, AM-50BAK-ADDS

P-0 to Q-0

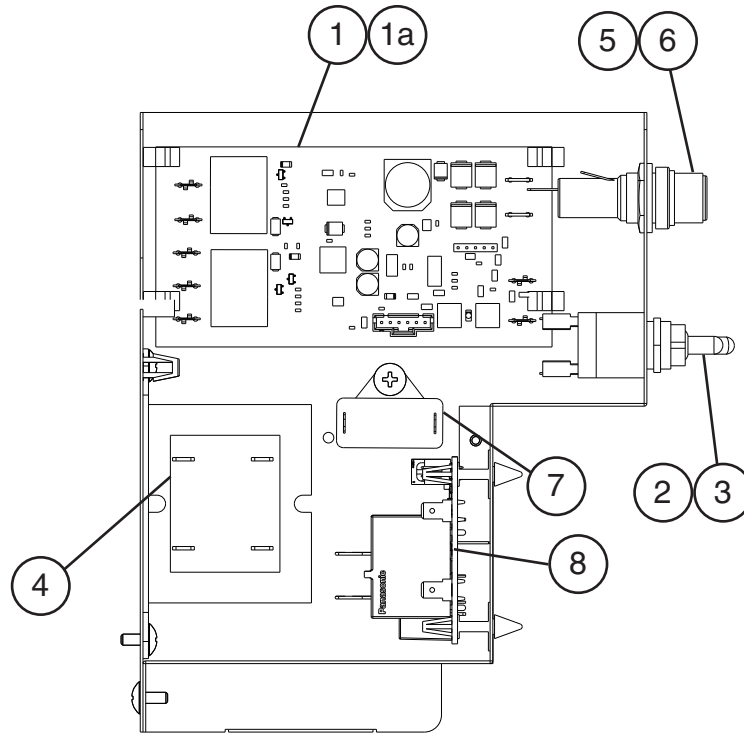


Title: C. Water Circuit & Ice Making Unit Model: AM-50BAK, AM-50BAK-DS, AM-50BAK-AD, AM-50BAK-ADDS												
Index No.	Description	Material or Model Number	Part Number	P-0 to Q-0	Required Number							
1	Pump Motor		3B1175-01	1								
2	Inlet Water Valve		4A6722-01	1								
3	Rubber Gasket		413854-03	1								
4	Fitting C		4A3240-01	1								
5	Water Valve Tube		4A6872-01	1								
6	Separator		3A9811-01	6								
7	Ice Chute		3X3863-01	1								
8	Nozzle		2H4536-01	1								
9	Cap		4X7936-01	2								
10	Reducing Pipe		4A2903-01	1								
11	Water Tank		2H4535-01	1								
12	Suction Tube		4X7937-01	1								
13	Joint		4X7934-01	1								
14	Discharge Tube		3X3864-01	1								
15	Drain Pan		2H4534-01	1								
16	Drain Tube		4H2585-01	1								
17	Drain Pipe		4Y0211-01	1								
18	Elbow Hose		4A1165-08	1								
19	Drain Fitting		4A3488G01	1								
<b>Hose Clamps</b>												
20	Hose Clamp	22-25 mm	4A2017-09	2								
21	Hose Clamp	13-15 mm	4A2017-08	1								

## D. Control Box Assembly

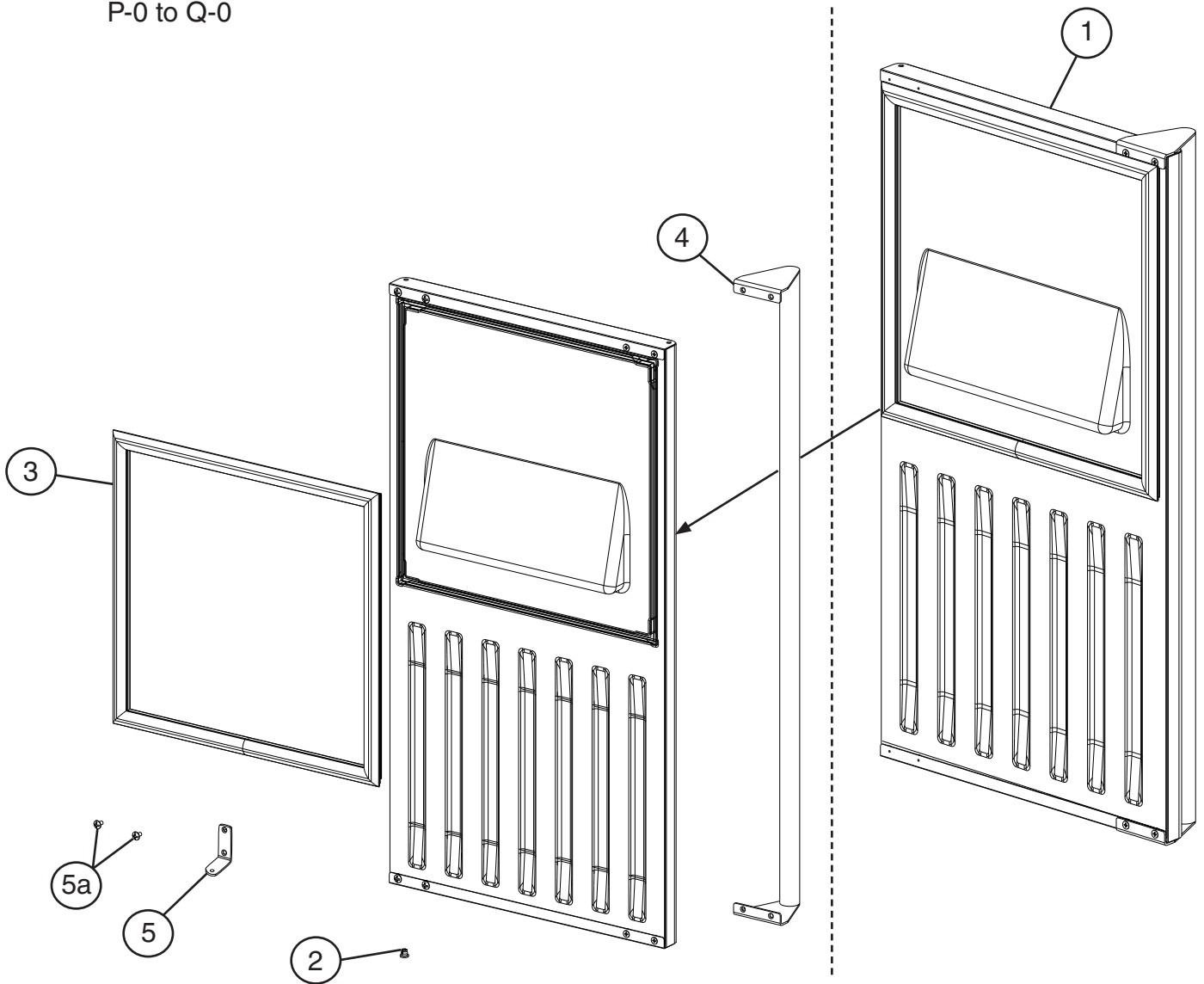
AM-50BAK, AM-50BAK-DS, AM-50BAK-AD, AM-50BAK-ADDS

P-0 to Q-0



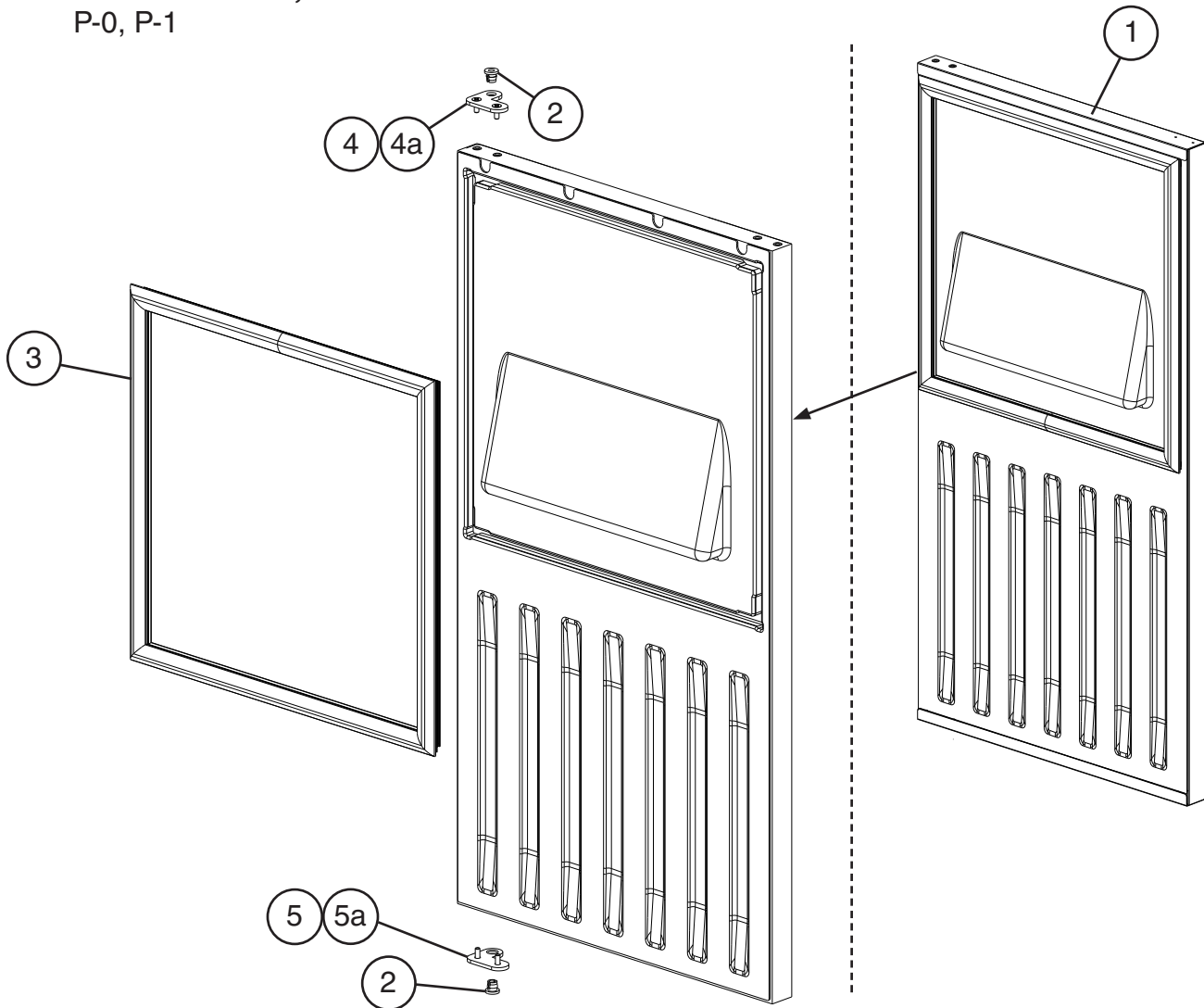
Title: D. Control Box Assembly Model: AM-50BAK, AM-50BAK-DS, AM-50BAK-AD, AM-50BAK-ADDS												
Index No.	Description	Material or Model Number	Part Number	Required Number								
				P-0 to Q-0								
1	Control Board		4A5520-01	1								
1a	Control Board Support		4A0336-03	4								
2	Control Switch		4A7449-01	1								
3	Cap		4A1937-01	1								
4	Control Transformer		4A0557-01	1								
5	Fuse Holder		4A5443-01	1								
6	Fuse	0.375 A	4A0893-12	1								
7	Pump Capacitor	1 MFD	4A2128-10	1								
8	Thermistor Control Board		2B0595-02	1								
9	Wire Harness Inside (A) (not shown)		4A7741-02	1								
10	Wire Harness Outside (B) (not shown)		4A7741-01	1								
11	Plug Housing (not shown)		412832-06	1								
			412832-07	1								

**E. Door Assembly**  
**AM-50BAK, AM-50BAK-AD**  
P-0 to Q-0



Title: E. Door Assembly Model: AM-50BAK, AM-50BAK-AD															
Index No.	Description	Material or Model Number	Part Number	Required Number											
				P-0 to Q-0											
1	Door Assembly	AM-50BAK	2B0329G01	1											
		AM-50BAK-AD	2B0329G02	1											
2	Bushing		4A6410-01	1											
3	Gasket Magnetic		2A9907-01	1											
4	Handle	AM-50BAK	4A6129-01	1											
		AM-50BAK-AD	4A6129-02	1											
5	Hinge (B)		4Y0192-01	1											
5a	Truss Head Screw		7C32-0408	2											

**E. Door Assembly**  
**AM-50BAK-DS, AM-50BAK-ADDS**  
P-0, P-1

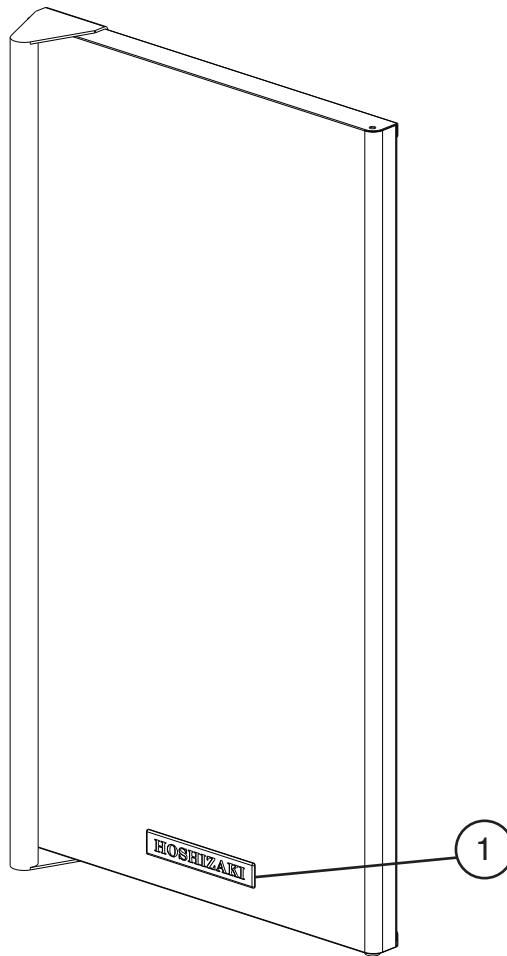


Title: F. Door Assembly Model: AM-50BAK-DS, AM-50BAK-ADDS					Required Number							
Index No.	Description	Material or Model Number	Part Number	P-0								
				P-1								
1	Door Assembly	<b>AM-50BAK-DS</b>	2B0330G01	1								
		<b>AM-50BAK-ADDS</b>	2B0330G02	1								
2	Bushing		4A6410-01	2								
3	Gasket Magnetic		2A9907-01	1								
4	Hinge C Assembly (UR, LL) (includes one of item 2)		4A3983G01	1								
4a	Flat Head Screw	4x12, SS	7C22-0412	2								
5	Hinge C Assembly (LR, UL) (includes one of item 2)		4A3983G02	1								
5a	Flat Head Screw	4x12, SS	7C22-0412	2								

## F. Accessories & Labels

**AM-50BAK, AM-50BAK-DS, AM-50BAK-AD, AM-50BAK-ADDS**

P-0, P-1



Title: F. Accessories & Labels Model: AM-50BAK, AM-50BAK-DS, AM-50BAK-AD, AM-50BAK-ADDS					Required Number								
Index No.	Description	Material or Model Number	Part Number	P-0									
				P-1									
1	Hoshizaki Emblem	<b>AM-50BAK</b> <b>AM-50BAK-AD</b>	<a href="#">4A0560-01</a>	1									
2	Scoop		<a href="#">204336-01</a>	1									
3	Control Label		<a href="#">463253-01</a>	1									
4	Canoe Clip		<a href="#">4A5835-01</a>	2									
5	Wood Panel Bracket	<b>AM-50BAK-DS</b> <b>AM-50BAK-ADDS</b>	<a href="#">4A3998-01</a>	1									
6	Threaded Wood Insert	<b>AM-50BAK-DS</b> <b>AM-50BAK-ADDS</b>	<a href="#">4A4004-01</a>	6									
7	Pan Head Screw	<b>AM-50BAK-DS</b> <b>AM-50BAK-ADDS</b>	<a href="#">7C12-0425</a>	4									
8	Truss Head Screw	<b>AM-50BAK-DS</b> <b>AM-50BAK-ADDS</b>	<a href="#">7C32-0408</a>	4									
9	T2 Screw	<b>AM-50BAK-DS</b> <b>AM-50BAK-ADDS</b>	<a href="#">7P32-0408</a>	3									