



HOSHIZAKI

Parts Manual

Back Bar Equipment

Models

BB 59

BB 69

BB 80

BB 95

BB G 59

BB G 69

BB G 80

BB G 95

BB 59 S

BB 69 S

BB 80 S

BB 95 S

BB G 59 S

BB G 69 S

BB G 80 S

BB G 95 S

3* STAR KIT

Compressor used in BB 59-95 G	EMC3130U (Part No. 12228006)
Nominal Voltage/Frequency/Number of Phases	115-127V 60Hz 1~ (Single phase)
Starting device type	PTC
Starting device	8EA14C3/QPS2-A4R7MD3
Run capacitor	20(180) [μ F (VAC minimum)]
Motor protection	4TM771RFBZZ-53

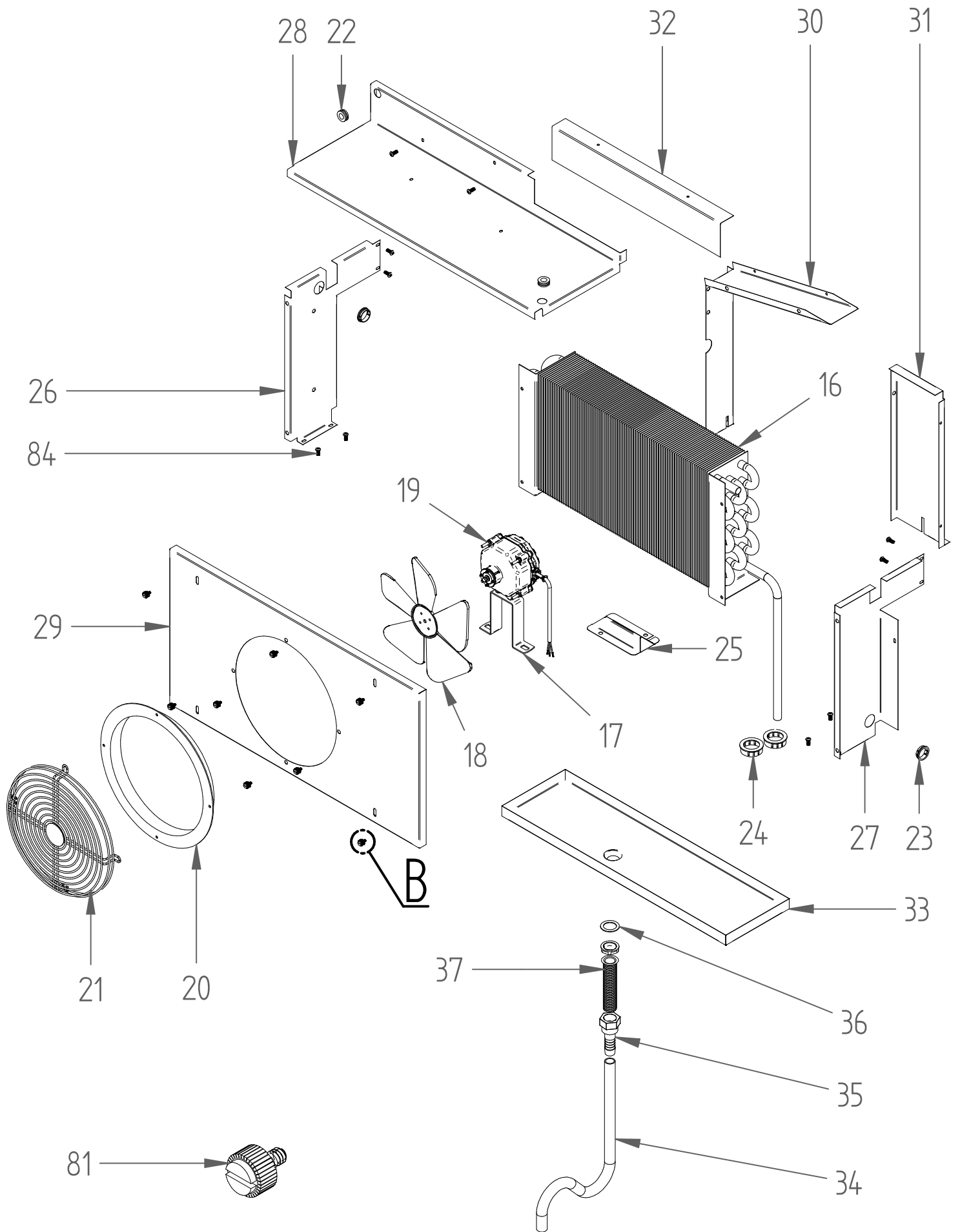


DETAIL A

ZONA/ZONE	CONDENSING UNIT	LAMINA/DRAWING	2	BB 59_95 HC
-----------	-----------------	----------------	---	-------------

ITEM	REFERENCIA REFERENCE	DENOMINATION					G				S				GS				RECOMENDED	ELIMINADO ELIMINATED	INTRODUCIDO INTRODUCED	NOTAS / NOTES
			BB59	BB 69	BB 80	BB 95	BB G 59	BB G 69	BB G 80	BB G 95	BB 59 S	BB 69 S	BB 80 S	BB 95 S	BB G 59 S	BB G 69 S	BB G 80 S	BB G 95 S				

CONDENSING UNIT																				
1	12195862	DECK	1	1	1	1	1	1	1	1	1	1	1	1	1	1	1	1	1	
	12257407	COMPRESSOR 115V	1	1	1	1	1	1	1	1	1	1	1	1	1	1	1	1	1	
2	12256474	COMPRESSOR 115V																	X	
	12228006	COMPRESSOR 115V																		
3	*	START KIT	-	-	-	-	-	-	-	-	-	-	-	-	-	-	-	-		
4	12190812	CONDENSER	1	1	1	1	1	1	1	1	1	1	1	1	1	1	1	1		
5	12188004	FILTER	1	1	1	1	1	1	1	1	1	1	1	1	1	1	1	1		
6	12189983	FAN SUPPORT	1	1	1	1	1	1	1	1	1	1	1	1	1	1	1	1		
7	12190510	ELECTRONIC MOTOR	1	1	1	1	1	1	1	1	1	1	1	1	1	1	1	1	X	
8	12190018	FAN BLADE	1	1	1	1	1	1	1	1	1	1	1	1	1	1	1	1		
9	12190608	POWER CORD	1	1	1	1	1	1	1	1	1	1	1	1	1	1	1	1		
10	12037369	SCHRADER VALVE	1	1	1	1	1	1	1	1	1	1	1	1	1	1	1	1		
11	12190610	POWER CORD(SPIDER HUB)	1	1	1	1	1	1	1	1	1	1	1	1	1	1	1	1		
12	12189560	EVAPORATION TRAY	1	1	1	1	1	1	1	1	1	1	1	1	1	1	1	1		
13	12239998	EXCHANGE	1	1	1	1	1	1	1	1	1	1	1	1	1	1	1	1		
14	12200322	DISCHARGE LINE	1	1	1	1	1	1	1	1	1	1	1	1	1	1	1	1		
15	11002866	CAP TUBE	1.4	1.4	1.4	1.4	1.4	1.4	1.4	1.4	1.4	1.4	1.4	1.4	1.4	1.4	1.4	1.4		



DETAIL B

ZONA/ZONE	EVAPORATION UNITS/DRAIN	LAMINA/DRAWING	4	BB 59_95 HC
-----------	-------------------------	----------------	---	-------------

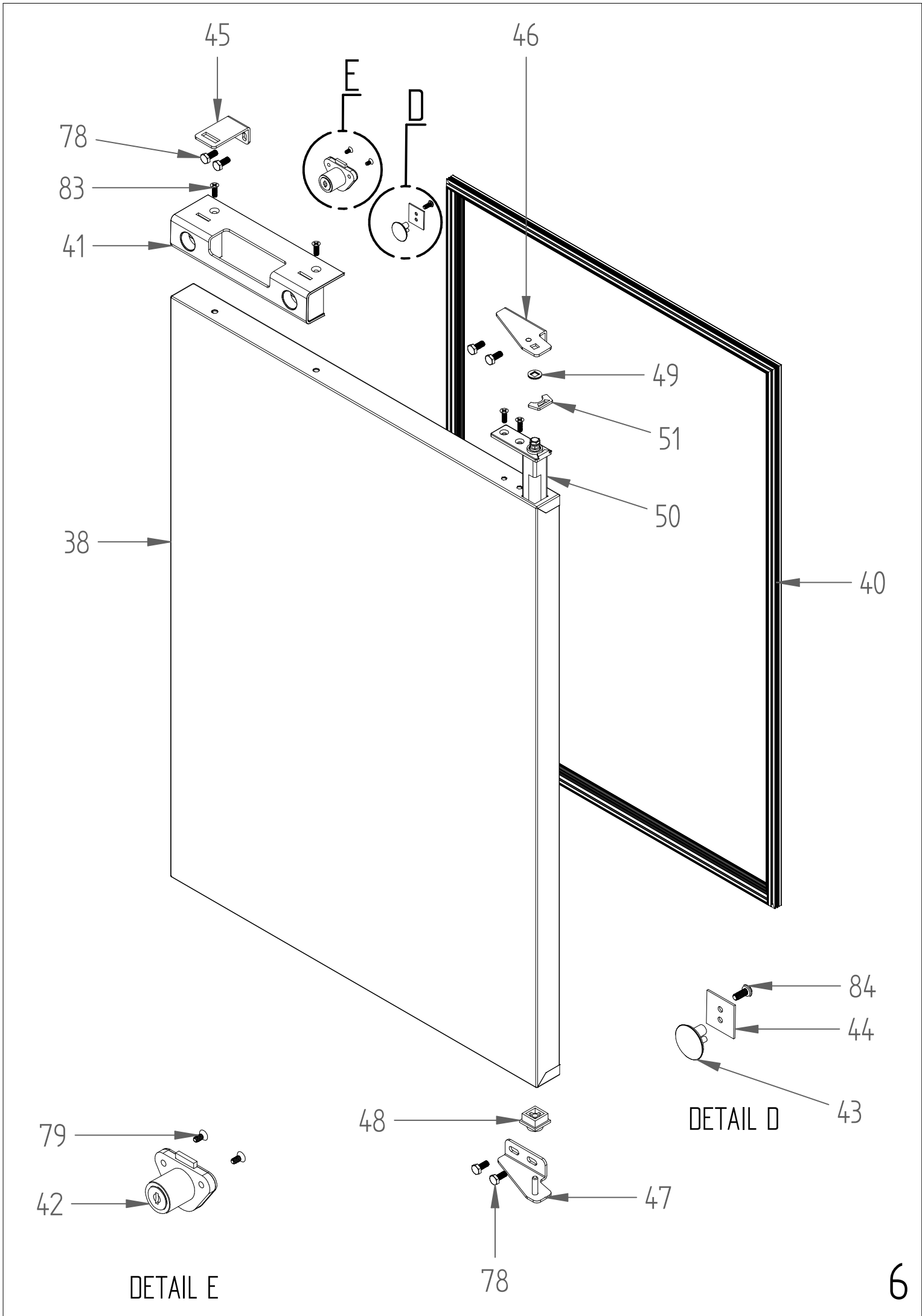
ITEM	REFERENCIA REFERENCE	DENOMINATION					G				S				GS				RECOMENDED	ELIMINADO ELIMINATED	INTRODUCIDO INTRODUCED	NOTAS / NOTES
			BB59	BB 69	BB 80	BB 95	BB G 59	BB G 69	BB G 80	BB G 95	BB 59 S	BB 69 S	BB 80 S	BB 95 S	BB G 59 S	BB G 69 S	BB G 80 S	BB G 95 S				

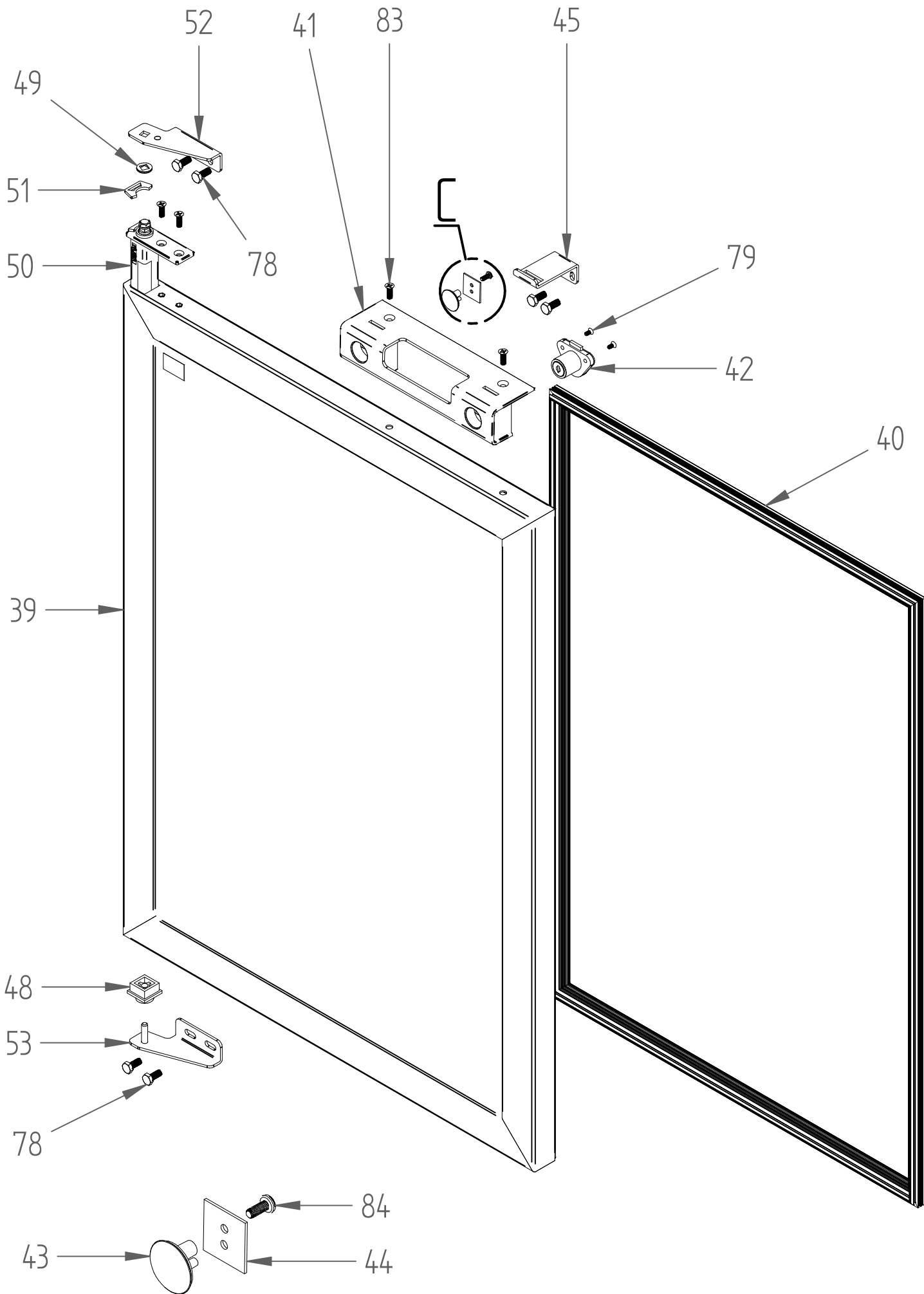
EVAPORATION UNITS

EVAPORATION UNIT		BB59	BB 69	BB 80	BB 95	BB G 59	BB G 69	BB G 80	BB G 95	BB 59 S	BB 69 S	BB 80 S	BB 95 S	BB G 59 S	BB G 69 S	BB G 80 S	BB G 95 S	RECOMENDED	ELIMINADO ELIMINATED	INTRODUCIDO INTRODUCED	NOTAS / NOTES
16	12190777 EVAPORATOR COIL	1	1	1	1	1	1	1	1	1	1	1	1	1	1	1	1				
17	12191294 FAN SUPPORT	1	1	1	1	1	1	1	1	1	1	1	1	1	1	1	1				
18	12190018 FAN BLADE	1	1	1	1	1	1	1	1	1	1	1	1	1	1	1	1				
19	12190510 FAN MOTOR	1	1	1	1	1	1	1	1	1	1	1	1	1	1	1	1	X			
20	12190068 GRID SHROUD	1	1	1	1	1	1	1	1	1	1	1	1	1	1	1	1				
21	12190728 FAN GRILL	1	1	1	1	1	1	1	1	1	1	1	1	1	1	1	1				
22	12189570 GROMMET	2	2	2	2	2	2	2	2	2	2	2	2	2	2	2	2				
23	12189966 BUSHING	2	2	2	2	2	2	2	2	2	2	2	2	2	2	2	2				
24	12189957 BUSHING ø1-3/8"	2	2	2	2	2	2	2	2	2	2	2	2	2	2	2	2				
25	12188080 PROBE NTC030HP00 CAREL	1	1	1	1	1	1	1	1	1	1	1	1	1	1	1	1	X			
SHEET METAL PARTS																					
26	12206309 DEFLECTOR LEFT	1	1	1	1	1	1	1	1	1	1	1	1	1	1	1	1				
27	12206308 DEFLECTOR RIGHT SIDE	1	1	1	1	1	1	1	1	1	1	1	1	1	1	1	1				
28	12206311 TOP COVER	1	1	1	1	1	1	1	1	1	1	1	1	1	1	1	1				
29	12206313 EVAPORATOR SHROUD	1	1	1	1	1	1	1	1	1	1	1	1	1	1	1	1				
30	12206307 ANGULAR DEFLECTOR	1	1	1	1	1	1	1	1	1	1	1	1	1	1	1	1				
31	12206310 CLOUSURE	1	1	1	1	1	1	1	1	1	1	1	1	1	1	1	1				
32	12206312 AIR LIMITER	1	1	1	1	1	1	1	1	1	1	1	1	1	1	1	1				
33	12206209 EVAPORATOR TRAY	1	1	1	1	1	1	1	1	1	1	1	1	1	1	1	1				

DRAIN

		BB59	BB 69	BB 80	BB 95	BB G 59	BB G 69	BB G 80	BB G 95	BB 59 S	BB 69 S	BB 80 S	BB 95 S	BB G 59 S	BB G 69 S	BB G 80 S	BB G 95 S	RECOMENDED	ELIMINADO ELIMINATED	INTRODUCIDO INTRODUCED	NOTAS / NOTES
34	12190467 DRAIN HOSE	1	1	1	1	1	1	1	1	1	1	1	1	1	1	1	1				
35	12190069 ADAPTER HOSE COUPLING	1	1	1	1	1	1	1	1	1	1	1	1	1	1	1	1				
36	12189956 RUBBER JOINT	1	1	1	1	1	1	1	1	1	1	1	1	1	1	1	1				
37	12037642 DRAIN 1/2"	1	1	1	1	1	1	1	1	1	1	1	1	1	1	1	1				

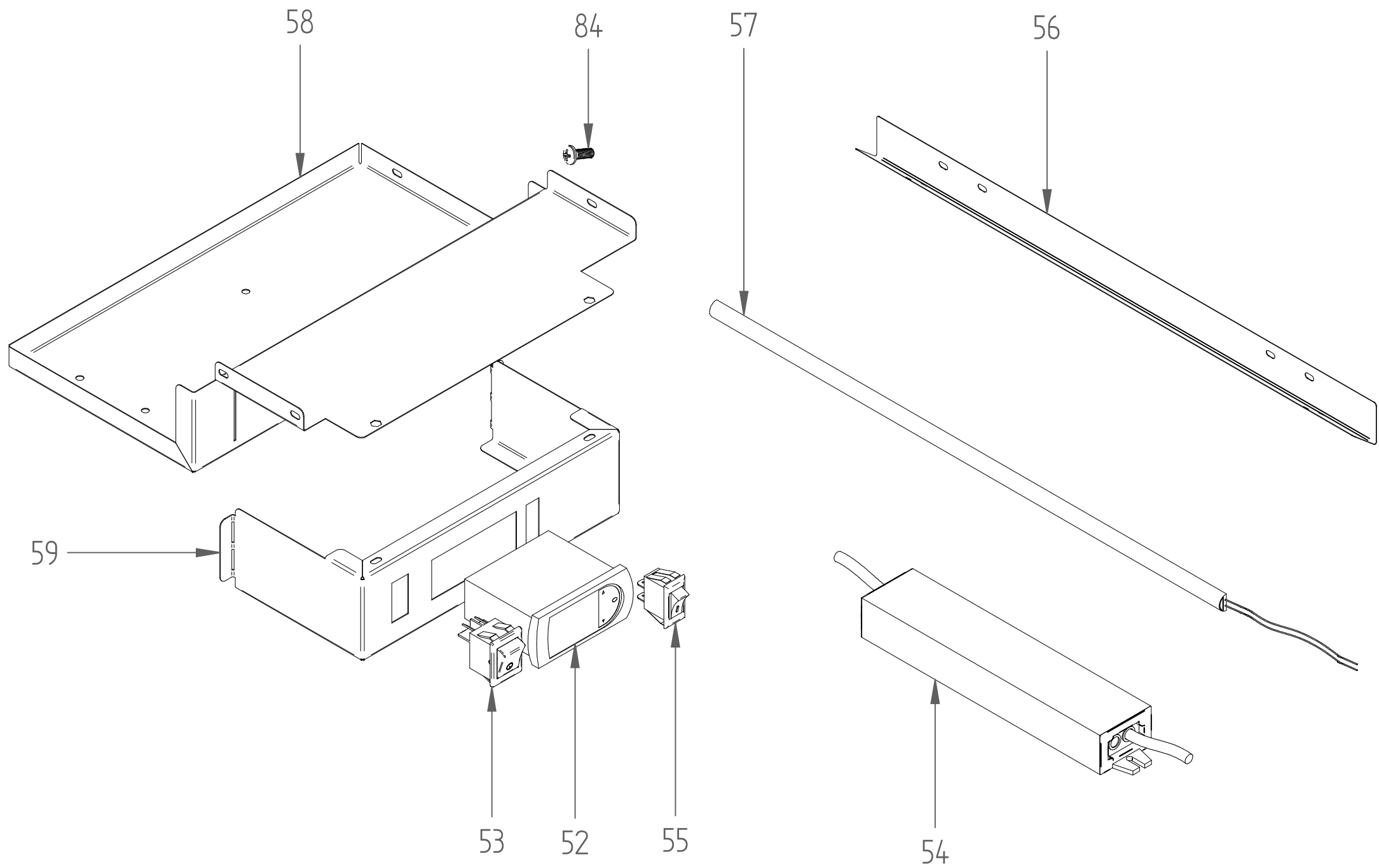




DETAIL C

ITEM	REFERENCIA REFERENCE	DENOMINATION					G				S				GS				RECOMENDED	ELIMINADO ELIMINATED	INTRODUCIDO INTRODUCED	NOTAS / NOTES
			BB59	BB 69	BB 80	BB 95	BB G 59	BB G 69	BB G 80	BB G 95	BB 59 S	BB 69 S	BB 80 S	BB 95 S	BB G 59 S	BB G 69 S	BB G 80 S	BB G 95 S				

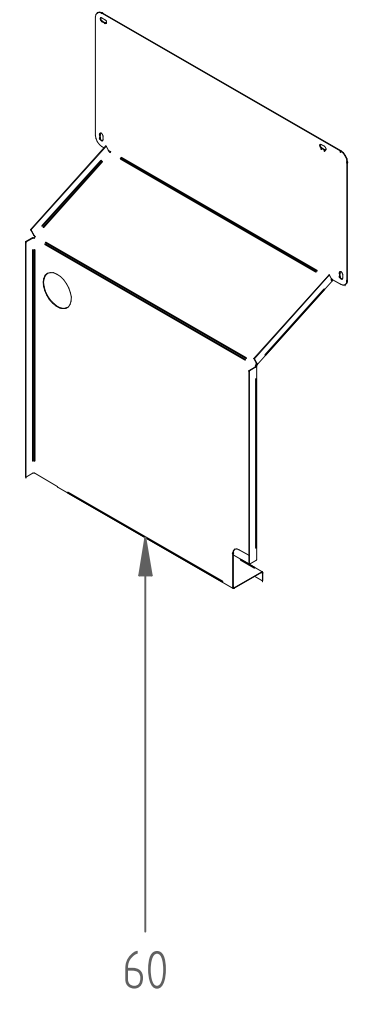
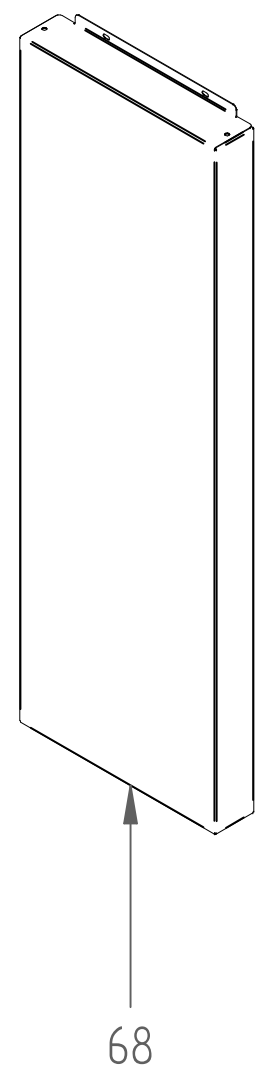
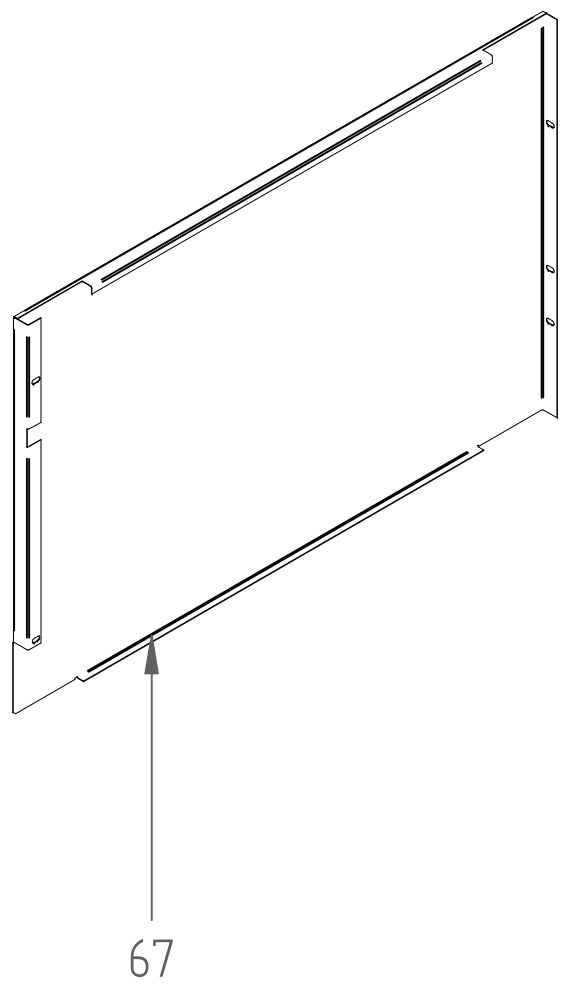
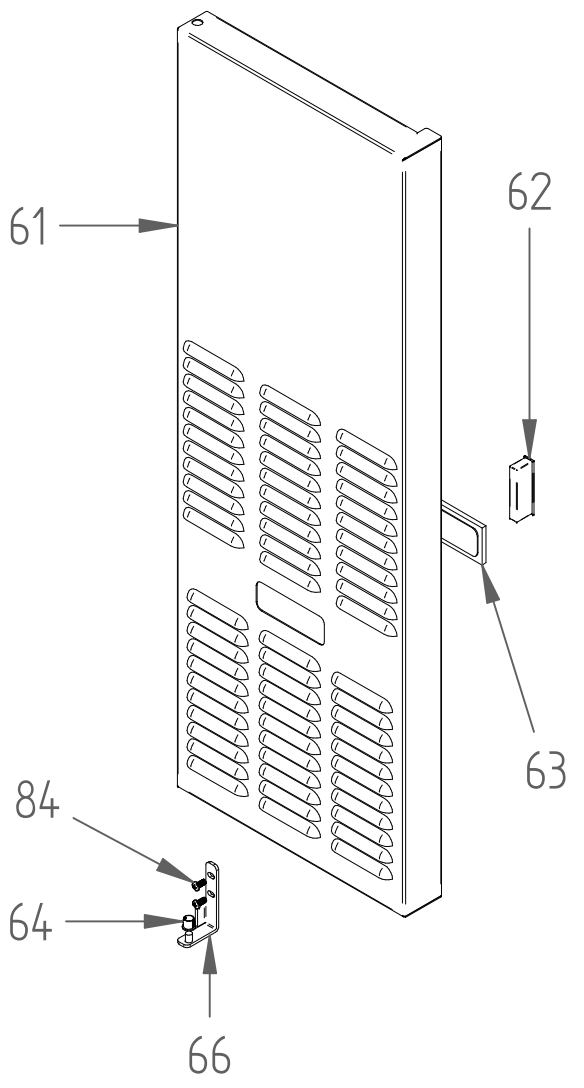
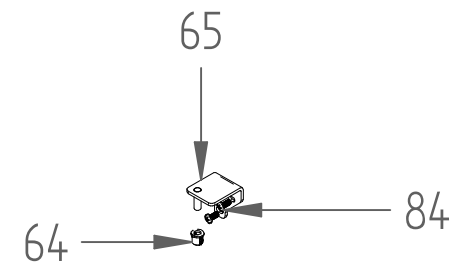
DOORS & OTHERS																				
38	12201946	DOOR KIT	2	2	2	3														
	12210337	DOOR KIT 80			1															
	12217136	GLASS DOOR KIT RH					1	1	2	2										
39	12217137	GLASS DOOR KIT LH					1	1		1										
	12203181	GLASS DOOR KIT 80							1											
	12232946	SS DOOR LH								2	2	2	3							
38	12210339	SS DOOR KIT 80										1								
	12203179	SS GLASS DOOR KIT RH												1	1	2	2			
39	12203180	SS GLASS DOOR KIT LH												1	1		1			
	12203182	SS GLASS DOOR KIT 80														1				
	12191258	GASKET	2	2	2	3	2	1	2	2	2	3	1	1	2	2	X			
40	12191259	GASKET 78			1				1			1			1		X			
		HANDLE KIT LEFT/RIGHT																		
41	12211931	RIGHT HANDLE	2	2	3	3	2	2	3	3	2	2	2	3	2	2	3	3		
42	12190887	LOCK	2	2	3	3	2	2	3	3	2	2	2	3	2	2	3	3		
43	12211932	PLATE	2	2	3	3	2	2	3	3	2	2	2	3	2	2	3	3		
44	12195809	SUPPORT PLATE	2	2	3	3	2	2	3	3	2	2	2	3	2	2	3	3		
45	12195087	LOCK STOP	2	2	3	3	2	2	3	3	2	2	2	3	2	2	3	3		
		HINGE KIT RH																	X	
46	12191308	TOP HINGE	1	1	2	2	1	1	2	2	1	1	2	2	1	1	2	2		
47	12191306	BOTTOM HINGE	1	1	2	2	1	1	2	2	1	1	2	2	1	1	2	2		
48	12190016	SPACER	1	1	2	2	1	1	2	2	1	1	2	2	1	1	2	2		
49	12195539	WASHER	2	2	4	4	2	2	4	4	2	2	4	4	2	2	4	4		
50	12195118	HINGE CARTRIDGE	1	1	2	2	1	1	2	2	1	1	2	2	1	1	2	2		
51	12195119	STOP HINGE	1	1	2	2	1	1	2	2	1	1	2	2	1	1	2	2		
		HINGE KIT LH																	X	
52	12191309	LEFT TOP HINGE	1	1	1	1	1	1	1	1	1	1	1	1	1	1	1	1		
53	12191307	LEFT BOTTOM HINGE	1	1	1	1	1	1	1	1	1	1	1	1	1	1	1	1		
48	12190016	SPACER	1	1	2	2	1	1	2	2	1	1	2	2	1	1	2	2		
49	12195539	WASHER	2	2	4	4	2	2	4	4	2	2	4	4	2	2	4	4		
50	12195118	HINGE CARTRIDGE	1	1	2	2	1	1	2	2	1	1	2	2	1	1	2	2		
51	12195119	STOP HINGE	1	1	2	2	1	1	2	2	1	1	2	2	1	1	2	2		



ZONA/ZONE	CONTROLLER & OTHER	LAMINA/DRAWING	9	BB 59_95 HC
-----------	--------------------	----------------	---	-------------

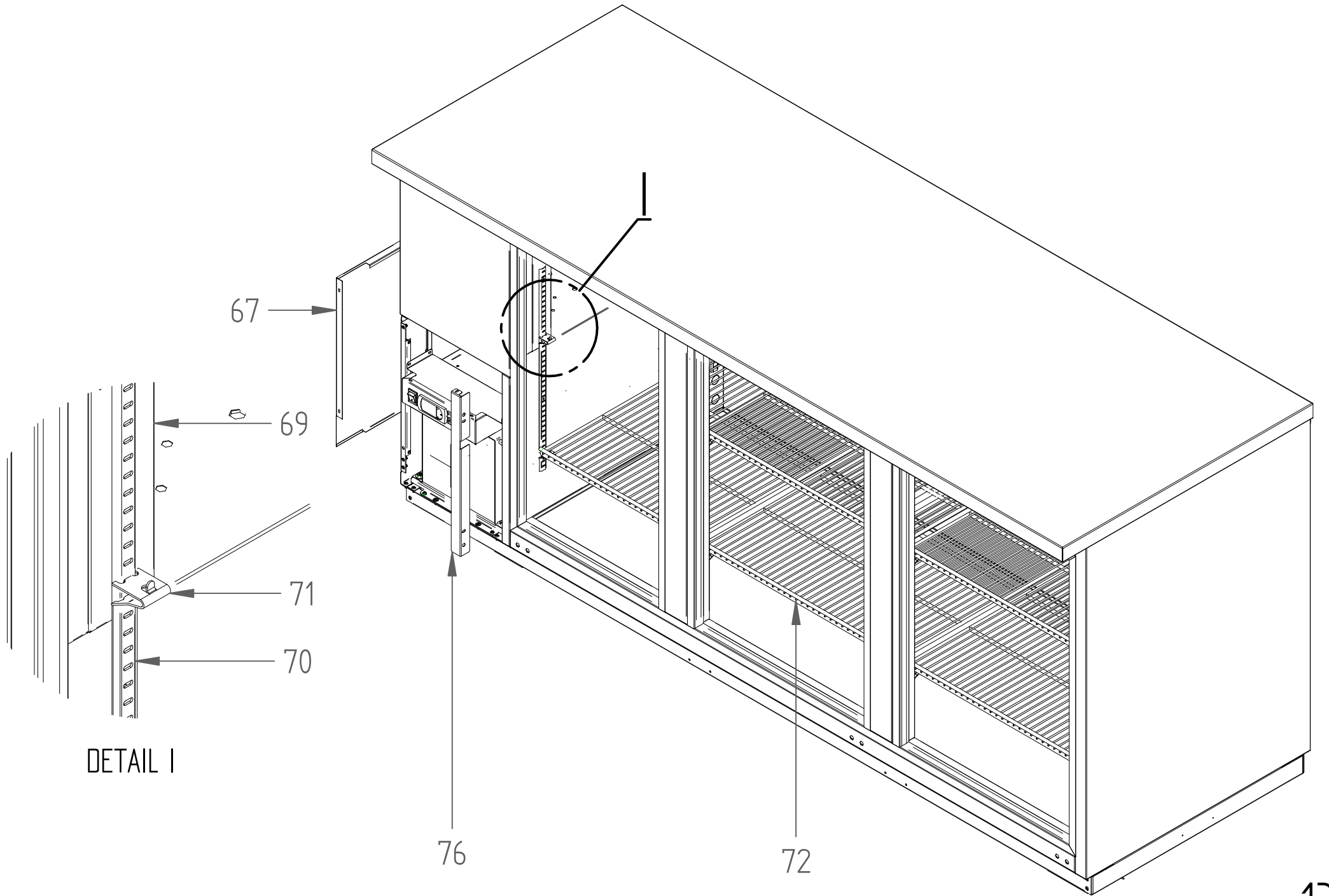
ITEM	REFERENCIA REFERENCE	DENOMINATION					G				S				GS				RECOMENDED	ELIMINADO ELIMINATED	INTRODUCIDO INTRODUCED	NOTAS / NOTES
			BB59	BB69	BB80	BB95	BBG 59	BBG 69	BBG 80	BBG 95	BB 59 S	BB 69 S	BB 80 S	BB 95 S	BBG 59 S	BBG 69 S	BBG 80 S	BBG 95 S				

CONTROLLER & OTHER																							
52	12188079	CAREL CONTROLLER	1	1	1	1	1	1	1	1	1	1	1	1	1	1	1	1	1	X			
53	12190513	ROCKER SWITCH 20AMP	1	1	1	1	1	1	1	1	1	1	1	1	1	1	1	1	1				
54	12190580	DRIVER LED	1	1	1	1	1	1	1	1	1	1	1	1	1	1	1	1	1				
55	12037353	LIGHT SWITCH	1	1	1	1	1	1	1	1	1	1	1	1	1	1	1	1	1				
56	12194279	LAMP SUPPORT	1	1			1	1			1	1			1	1							
	12194278	LAMP SUPPORT			1	1			1	1			1	1			1	1	X				
57	12190586	LED LIGHT	1	1			1	1			1	1			1	1			X				
	12190587	LED LIGHT			1	1			1	1			1	1			1	1					
58	12206592	CONTROLLER DEFLECTOR	1	1	1	1	1	1	1														
	12226884	CONTROLLER DEFLECTOR SS											1	1	1	1	1	1	1				
59	12206593	CONTROLLER SUPPORT	1	1	1	1	1	1	1														
	12226887	CONTROLLER SUPPORT SS										1	1	1	1	1	1	1	1				



ZONA/ZONE	PANELS	LAMINA/DRAWING	11	BB 59_95 HC
-----------	--------	----------------	----	-------------

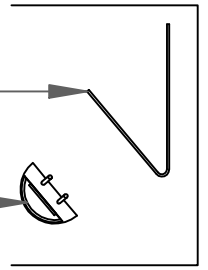
ITEM	REFERENCIA REFERENCE	DENOMINATION					G				S				GS				RECOMENDED	ELIMINADO ELIMINATED	INTRODUCIDO INTRODUCED	NOTAS / NOTES
			BB59	BB 69	BB 80	BB 95	BB G 59	BB G 69	BB G 80	BB G 95	BB 59 S	BB 69 S	BB 80 S	BB 95 S	BB G 59 S	BB G 69 S	BB G 80 S	BB G 95 S				
PANELS																						
60	12195836	BACK PANEL	1	1	1	1	1	1	1	1												
	12227157	BACK PANEL SS									1	1	1	1	1	1	1					
61	12222097	FRONT PANEL	1	1	1	1	1	1	1													
	12222036	FRONT PANEL SS									1	1	1	1	1	1	1					
62	12190968	CATCH MAG DOOR	1	1	1	1	1	1	1	1	1	1	1	1	1	1	1					
63	12191187	ACRYLIC LENS	1	1	1	1	1	1	1	1	1	1	1	1	1	1	1					
64	12213300	SNAP BUSHING	2	2	2	2	2	2	2	2	2	2	2	2	2	2	2					
65	12216175	TOP HINGE	1	1	1	1	1	1	1	1	1	1	1	1	1	1	1					
66	12216178	BOTTOM HINGE	1	1	1	1	1	1	1	1	1	1	1	1	1	1	1					
	12206608	PANEL SIDE	1	1	1	1	1	1	1													
67	12206184	PANEL SIDE SS									1	1	1	1	1	1	1					
	12206614	DOORS PANEL		1					1													
	12226950	DOORS PANEL 69 SS									1											
68	12206609	DOORS PANEL				2			2													
	12207876	DOORS PANEL 95 SS											2				2					



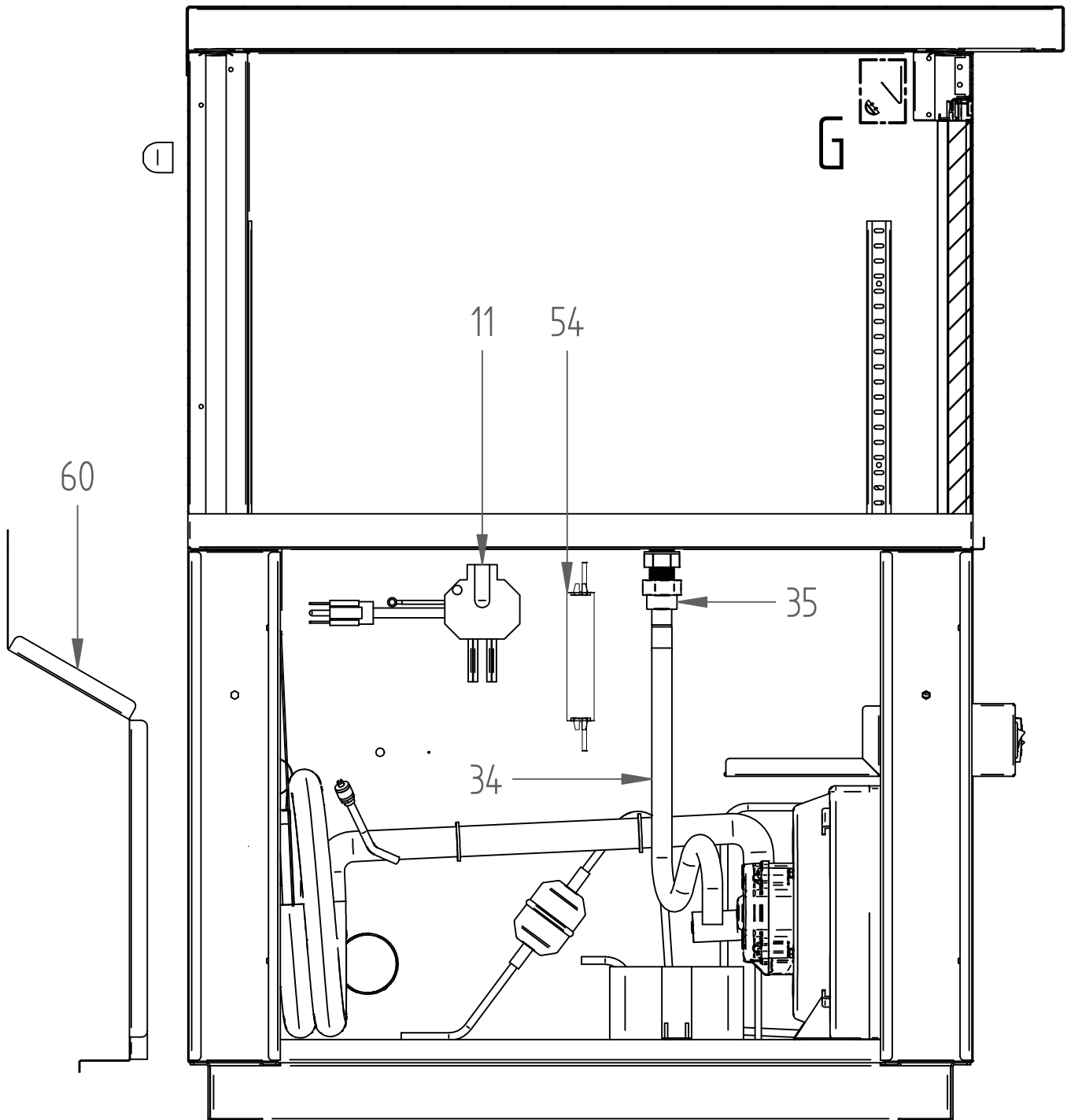
ZONA/ZONE		SHELVES	LAMINA/DRAWING														14	BB 59_95 HC			
ITEM	REFERENCIA REFERENCE	DENOMINATION					G				S				GS			RECOMENDED	ELIMINADO ELIMINATED	INTRODUCIDO INTRODUCED	NOTAS / NOTES
			BB59	BB 69	BB 80	BB 95	BB G 59	BB G 69	BB G 80	BB G 95	BB 59 S	BB 69 S	BB 80 S	BB 95 S	BB G 59 S	BB G 69 S	BB G 80 S				
SHELVES																					
69	12206325	PILASTER SUPPORT	1	1	1	1	1	1	1	1	1	1	1	1	1	1	1				
70	12190900	PILASTER 20.2"	8	8	12	12	8	8	12	12	8	8	12	12	8	8	12	12			
71	12188096	SS CLIP	16	16	24	24	16	16	24	24	16	16	24	24	16	16	24	24			
	12190688	FLAT RACK FOR 59-80	4		2		4		2		4		2		4		2				
	12190691	FLAT RACK FOR 69-95		4		6		4		6		4		6		4		6			
72	12190689	FLAT RACK FOR 80 CENTER			2				2				2				2				
	12190690	FLAT RACK FOR 80 LEFT			2				2				2				2				

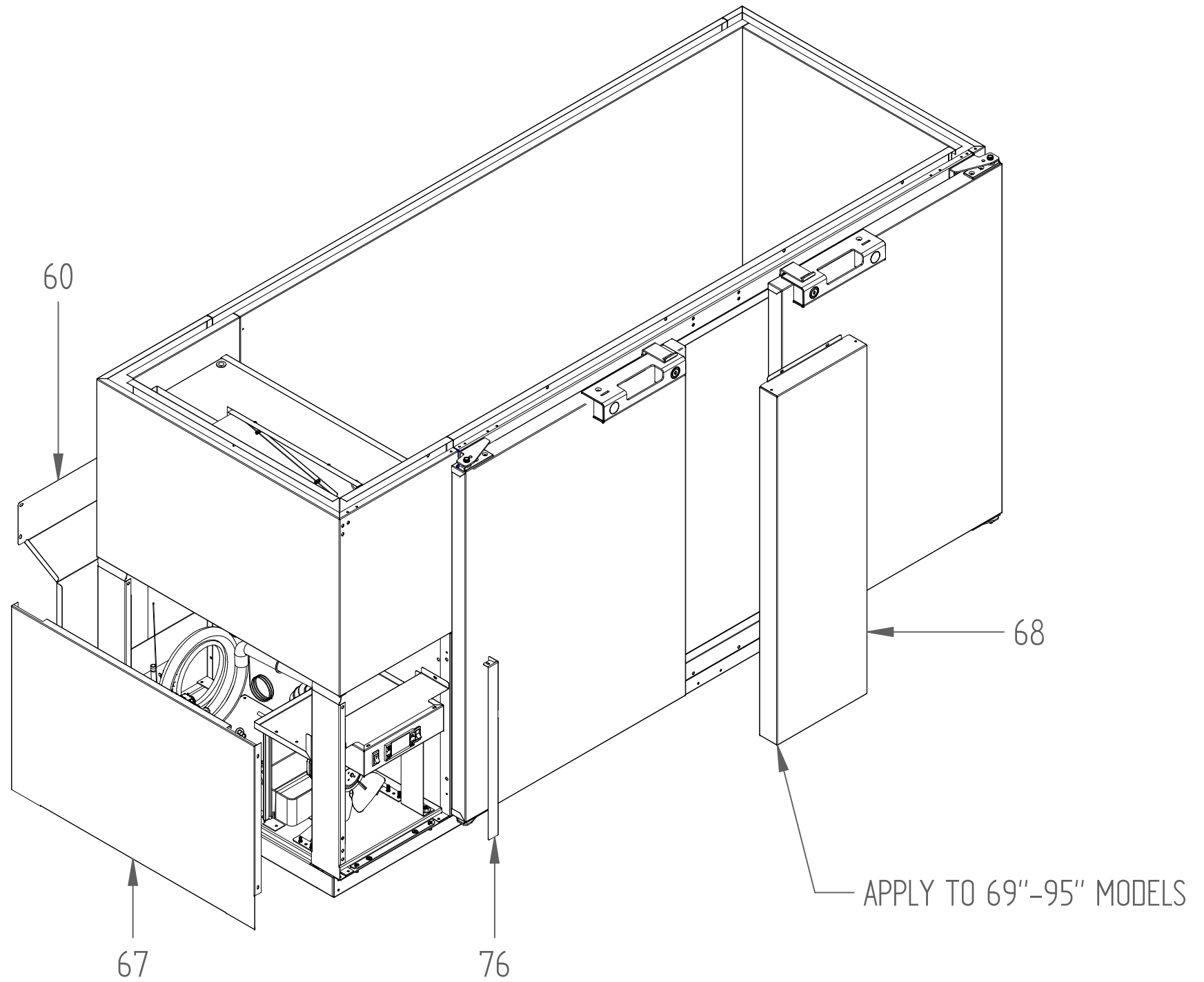
56

57



DETAIL G





ZONA/ZONE		SCREWS	LAMINA/DRAWING													BB 59_95 HC				
ITEM	REFERENCIA REFERENCE	DENOMINATION					G				S				GS		RECOMENDED	ELIMINADO ELIMINATED	INTRODUCIDO INTRODUCED	NOTAS / NOTES
			BB59	BB 69	BB 80	BB 95	BB G 59	BB G 69	BB G 80	BB G 95	BB 59 S	BB 69 S	BB 80 S	BB 95 S	BB G 59 S	BB G 69 S				
SCREWS																				
76	12190891	RIGHT LIGHT TRIM	1	1	1	1	1	1	1											
	12206442	RIGHT LIGHT TRIM SS								1	1	1	1	1	1	1	1			
77	12191519	COMPRESSOR SCREW MOUNT	4	4	4	4	4	4	4	4	4	4	4	4	4	4	4			
78	12189583	SCREW M6X16	14	14	20	20	14	14	20	20	14	14	20	20	14	14	20	20		
79	12191590	SCREW FLAT HEAD M4 X 10	4	4	6	6	4	4	6	6	4	4	6	6	4	4	6	6		
80	12191506	SCREW DRILL 8X1/2"	4	4	4	4	4	4	4	4	4	4	4	4	4	4	4	4		
81	12189959	MANUAL SCREW M4X12	10	10	10	10	10	10	10	10	10	10	10	10	10	10	10	10		
82	12191518	SCREW ALLEN 6X16	6	6	6	6	6	6	6	6	6	6	6	6	6	6	6	6		
83	12191589	SCREW FLAT HEAD 10-32 X 5/8"	12	12	18	18	12	12	18	18	12	12	18	18	12	12	18	18		
84	12189582	SCREW M4X10 SS	20	20	20	20	20	20	20	20	20	20	20	20	20	20	20	20		

HOSHIZAKI AMERICA, INC.

618 Hwy. 74 South, Peachtree City, GA 30269 USA (P) 770.487.2331 (F) 770.487.3360 hoshizakiamerica.com