



HOSHIZAKI

Parts List

Self-Contained Cubelet

Models

C-80BAJ

C-80BAJ-DS

C-80BAJ-AD

C-80BAJ-ADDS



CONTENTS

Auxiliary Codes.....	3
Note About Ordering Parts	4
A. Main Assembly	5
B. Refrigeration Circuit.....	8
C. Icemaking Unit	9
D. Water Circuit	11
E. Control Box Assembly.....	13
F. Door Assembly	15
C-80BAJ, C-80BAJ-AD.....	15
C-80BAJ-DS, C-80BAJ-ADDS	19
G. Accessories & Labels.....	21

Auxiliary Codes

C-80BAJ

G-0 November 2017
H-0 January 2018
H-1 May 2018
H-2 June 2018
H-3 September 2018
J-0 January 2019
K-0 January 2020
K-1 September 2020
K-2 December 2020
L-0 January 2021
L-1 July 2021
L-2 November 2021
M-0 January 2022
M-1 September 2022
N-0 January 2023
N-2 November 2023
P-0 January 2024
P-1 February 2024

C-80BAJ-DS

G-0 December 2017
H-0 January 2018
H-1 May 2018
H-2 June 2018
H-3 September 2018
J-0 January 2019
K-0 January 2020
K-1 September 2020
K-2 December 2020
L-0 February 2021
L-1 July 2021
M-0 January 2022
M-1 September 2022
N-0 February 2023
N-2 November 2023
P-1 February 2024

C-80BAJ-AD

G-0 December 2017
H-0 January 2018
H-1 May 2018
H-2 June 2018
H-3 September 2018
J-0 January 2019
K-0 January 2020
K-1 September 2020
K-2 December 2020
L-0 January 2021
L-1 July 2021
L-2 November 2021
M-0 January 2022
M-1 July 2022
N-0 January 2023
N-2 November 2024
P-0 January 2024
P-1 February 2024

C-80BAJ-ADDS

H-0 January 2018
H-1 May 2018
H-2 June 2018
H-3 September 2018
J-0 January 2019
K-0 January 2020
K-1 September 2020
K-2 December 2020
L-0 February 2021
L-1 July 2021
M-0 January 2022
M-1 September 2022
N-0 January 2023
N-2 November 2023

Auxiliary Code Breakdown

The auxiliary code is the first two characters in the serial number. The first character indicates the year. Years progress or regress in alphabetical order. The series runs from "A" through "V" and the letters "I" and "O" are skipped. The second character indicates significant part changes within a year. Base is "0" and this number advances for each change. In cases where there is a letter in parentheses, this designates the month. This is the last character in the serial number. The series runs from "(A)" through "(M)" and the letter "(I)" is skipped. This designation is only included when identifying a parts change within an auxiliary code.

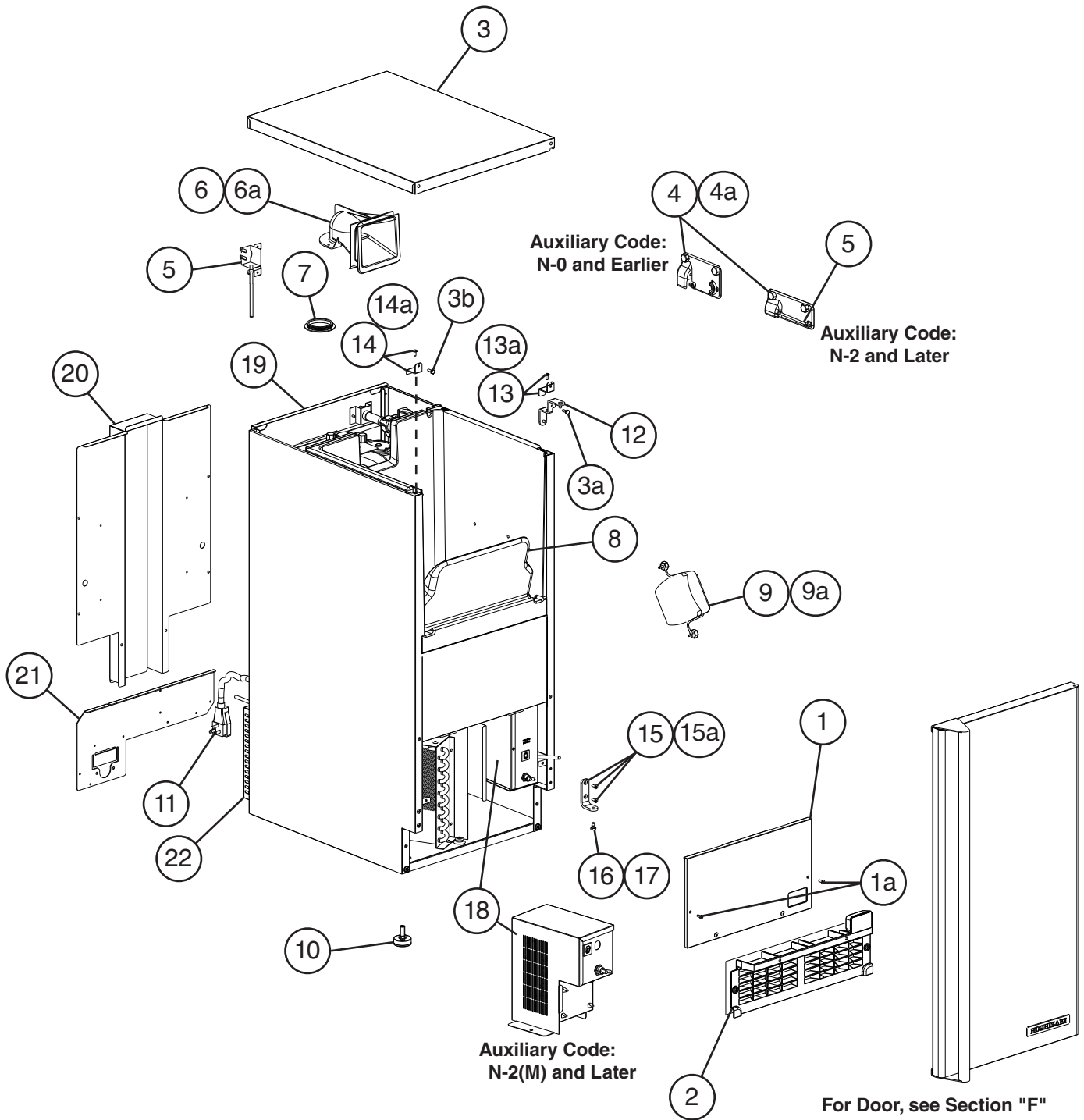
Note About Ordering Parts

Most assemblies cannot be ordered as complete units; parts in the assemblies generally must be ordered separately.

A. Main Assembly

C-80BAJ, C-80BAJ-DS, C-80BAJ-AD, C-80BAJ-ADDS

G-0 to P-1



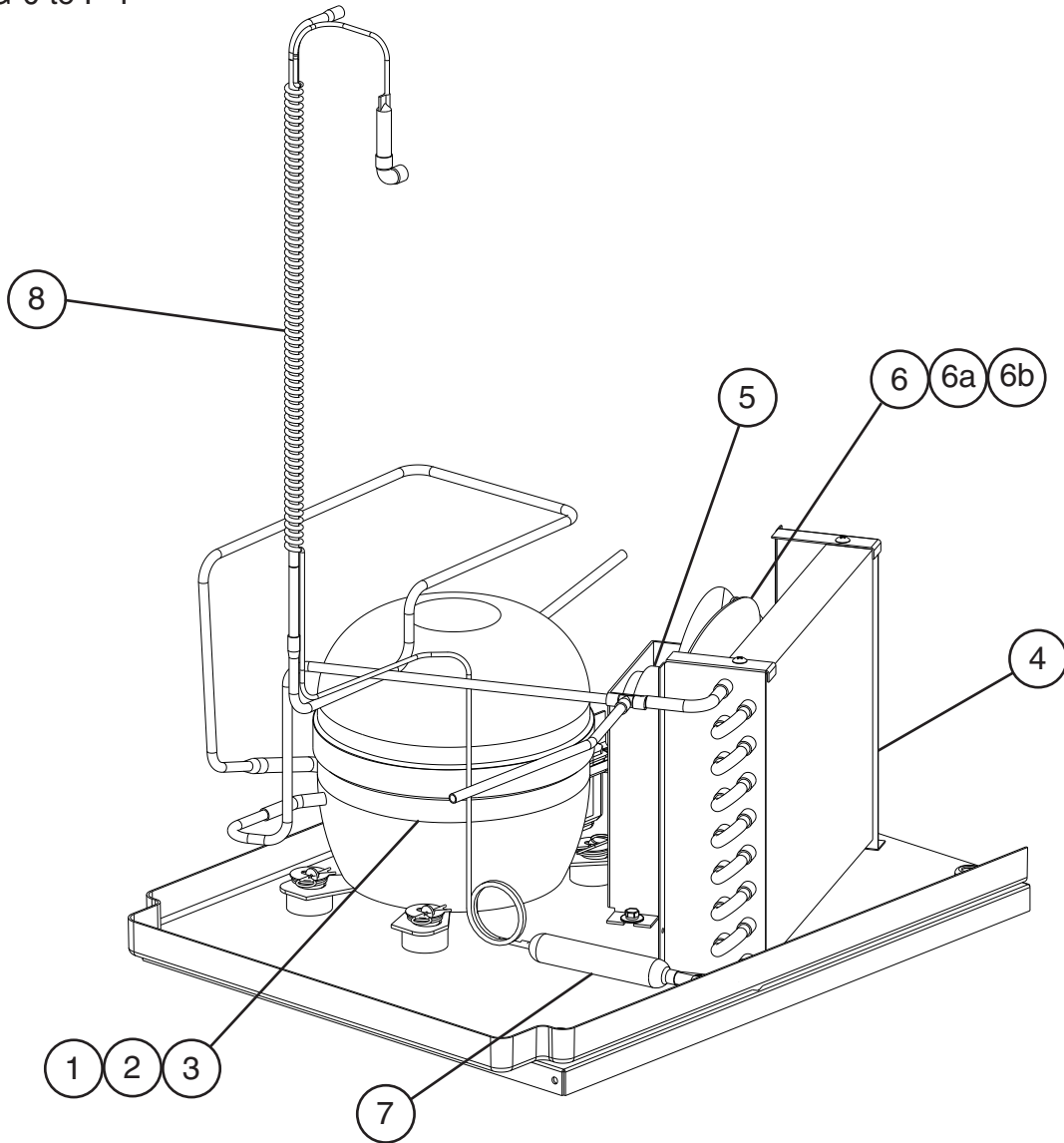
Title: A. Main Assembly Model: C-80BAJ, C-80BAJ-DS, C-80BAJ-AD, C-80BAJ-ADDS													
Index No.	Description	Material or Model Number	Part Number	Required Number									
				G-0 to H-0	H-1 H-2	H-3 to N-2(L)	N-2(M)	P-0 (A)	P-0 (B) P-1				
Main Assembly													
1	Front Panel	C-80BAJ	3X6433-01	1	1	-							
			2A8926-01			1	1	1	1				
		C-80BAJ-DS	3X6433-01	1	-								
			2A8926-01		1	1	1	1	1				
C-80BAJ-AD C-80BAJ-ADDS	3X6433-02	1	-										
	2A8926-02			1	1	1	1						
1a	Screw		7P32-0410	1	1	1	1	1	1				
2	Louver		2H5560-01	1	1	1	1	1	1				
3	Top Panel		2A2849G01	1	1	1	1	1	-				
			2B0910G01							1			
3a	Flat Head Screw		7C22-0412	1	1	1	1	1	1				
3b	T2 Screw		7P32-0408	1	1	1	1	1	1				
4	Bin Control Thermostat Bulb Holder		2A9795-01	1	1	1	-						
	Bin Control Thermistor Holder		2B0632-01				1	1	1				
4a	Thumbscrew		415949G10	2	2	2	2	2	2				
5	Bin Control Thermostat Assembly		3A2561A03	1	1	1	-						
	Bin Control Thermistor		2B0601-01				1	1	1				
6	Spout		2A6636-01	1	1	1	1	1	1				
6a	Thumbscrew		415949G12	3	3	3	3	3	3				
7	Packing		427151-01	1	1	1	1	1	1				
8	Slope		3X6383-01	1	1	1	1	1	1				
9	Scoop Holder		4Y0213-01	1	1	1	1	1	1				
9a	Thumbscrew		415949G10	2	2	2	2	2	2				
10	Leg		4A2966-01	4	4	4	4	4	4				
11	Power Supply Cord		4A2860-01	1	1	1	1	1	1				
12	Upper Right Hinge A	C-80BAJ C-80BAJ-AD	4Y0194G01	1	1	1	1	1	1				
			4A4885G01	1	1	1	1	1	1				
		C-80BAJ-DS C-80BAJ-ADDS											
13	Upper Right Hinge A Bracket		4A2996-01	1	1	1	1	1	1				
13a	Truss Head Screw		7C32-0410	1	1	1	1	1	1				
14	Upper Left Hinge Brace		4Y0193-01	1	1	1	1	1	1				
14a	Truss Head Screw		7C32-0410	1	1	1	1	1	1				
15	Lower Right Hinge B	C-80BAJ C-80BAJ-AD	4Y0192-01	1	1	1	1	1	1				
			4A3980-01	1	1	1	1	1	1				
		C-80BAJ-DS C-80BAJ-ADDS											
15a	Flat Head Screw	4x12, SS	7C22-0412	2	2	2	2	2	2				
16	Hinge Stop Pin		4A2180-01	1	1	1	1	1	1				
17	Tooth Washer	M6, SS	7R22-0600	1	1	1	1	1	1				

Title: A. Main Assembly Model: C-80BAJ, C-80BAJ-DS, C-80BAJ-AD, C-80BAJ-ADDS												
Index No.	Description	Material or Model Number	Part Number	Required Number								
				G-0 to H-0	H-1 H-2	H-3 to N-2(L)	N-2(M)	P-0 (A)	P-0 (B) P-1			
18	Control Box Cover	C-80BAJ	4A6233-01	1	1	1	-					
		C-80BAJ-DS	3B1850-01					1	1			
		C-80BAJ-AD	4A6235-01	1	1	1	-					
		C-80BAJ-ADDS	3B1339-01				1	-				
			3B1850-01					1	1			
19	Upper Rear Panel		3A6654-01	1	1	1	1	1	1			
20	Upper Middle Rear Panel		2A6047-01	1	1	1	1	1	1			
21	Lower Middle Rear Panel		3A6271-01	1	1	1	1	1	1			
22	Lower Louver Rear Panel	C-80BAJ	2A6345-01	1	1	1	1	1	1			
		C-80BAJ-DS										
		C-80BAJ-AD	2A5915-01	1	1	1	1	1	1			
		C-80BAJ-ADDS										

B. Refrigeration Circuit

C-80BAJ, C-80BAJ-DS, C-80BAJ-AD, C-80BAJ-ADDS

G-0 to P-1

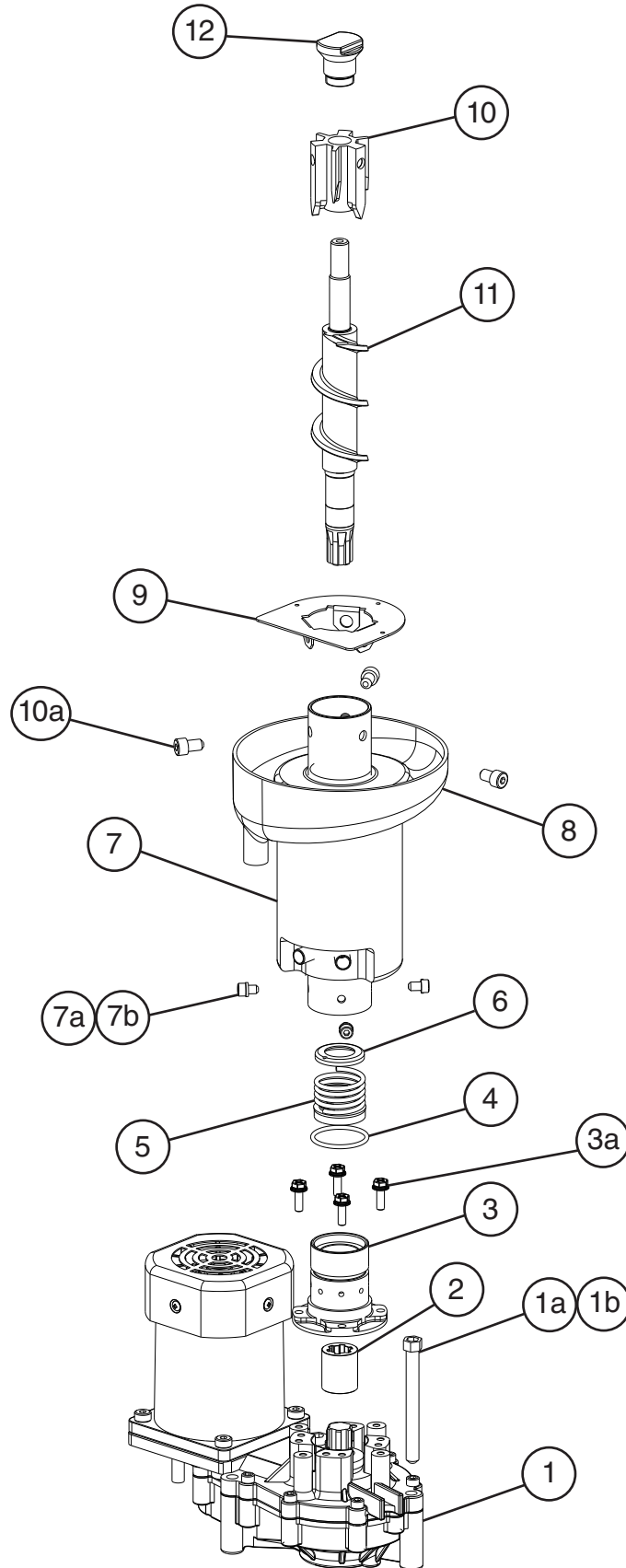


Title: B. Refrigeration Circuit Model: C-80BAJ, C-80BAJ-DS, C-80BAJ-AD, C-80BAJ-ADDS						Required Number					
Index No.	Description	Material or Model Number	Part Number	G-0 to M-0(F)	M-0(G) to P-1						
1	Compressor		455942-01	1	1						
2	PTC Relay		456252-01	1	1						
3	Compressor External Protector		456254-01	1	1						
4	Condenser		2H5586-01	1	1						
5	Fan Motor		440916-01	1	-						
					1						
6	Fan Blade		3A4467-01	1	1						
6a	Washer		435983-01	1	1						
6b	Hex Nut		4A1345-01	1	1						
7	Drier		445655-04	1	1						
8	Heat Exchanger		3A5876G01	1	1						

C. Icemaking Unit

C-80BAJ, C-80BAJ-DS, C-80BAJ-AD, C-80BAJ-ADDS

G-0 to P-1

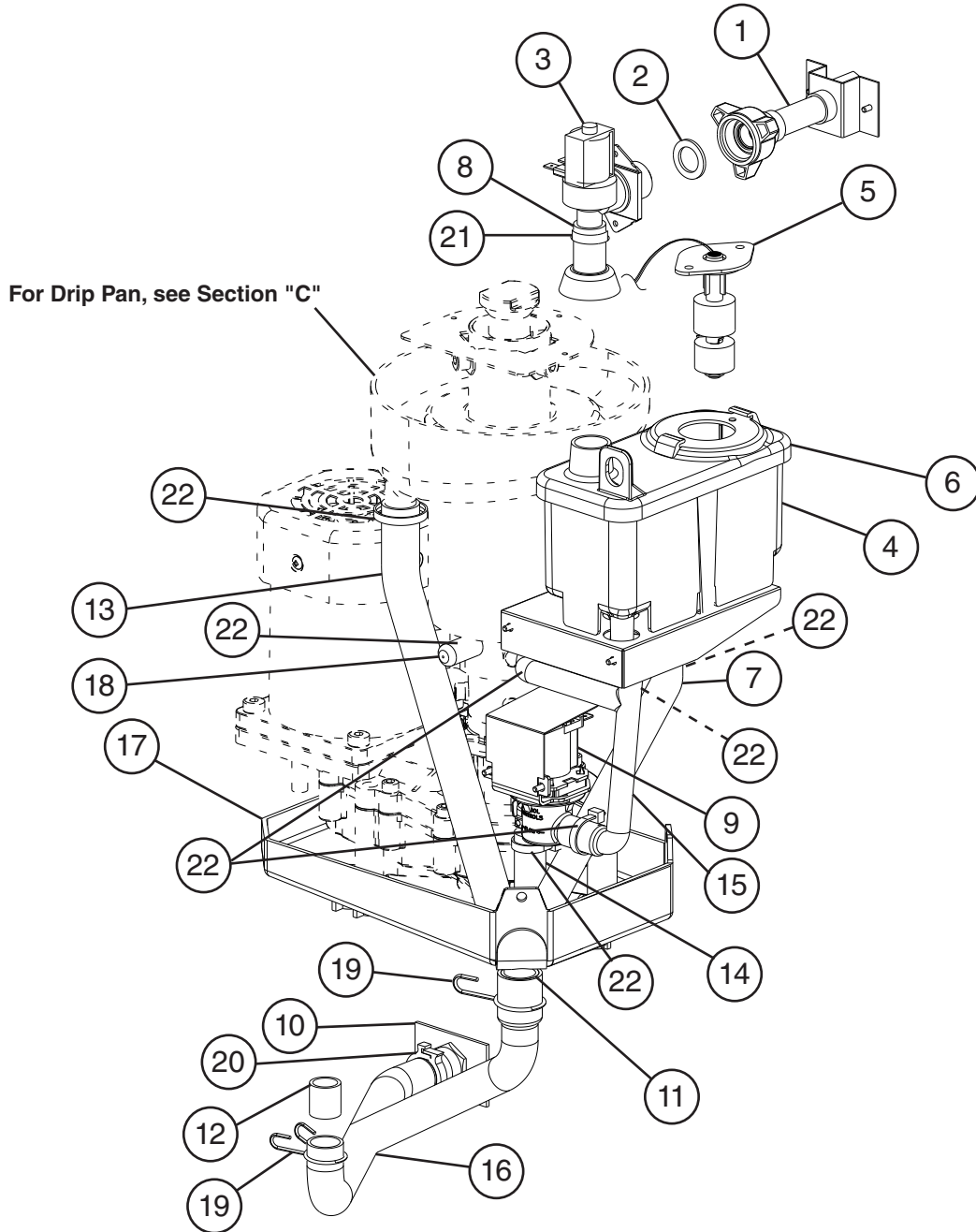


Title: C. Icemaking Unit Model: C-80BAJ, C-80BAJ-DS, C-80BAJ-AD, C-80BAJ-ADDS											
Index No.	Description	Material or Model Number	Part Number	Required Number							
				G-0 to H-0 (D)	H-0 (E)	H-1 to L-1	L-2 to P-1				
1	Gear Motor	C-80BAJ	2U0147-01	1	-						
		C-80BAJ-AD	4A5855-01		1	1	1				
		C-80BAJ-DS	2U0147-01	1	1	-					
		C-80BAJ-ADDS	4A5855-01			1	1				
1a	Socket Head Cap Screw	8x95, SS	7S12-0895	2	2	2	2				
1b	Split Lock Washer	M8, SS	7L22-0800	2	2	2	2				
2	Spline Coupling		418316-01	1	1	1	1				
3	Housing		383613G01	1	1	1	1				
3a	Hex Head Bolt	6x20, SS	4A1989-01	4	4	4	4				
4	O-Ring		4A4755-01	1	1	1	1				
5	Mechanical Seal		432491-01	1	1	1	-				
			432491-03				1				
6	Ring		432494-01	1	1	1	1				
7	Evaporator		364138G01	1	1	1	1				
7a	Split Lock Washer	M6, SS	7L22-0600	4	4	4	4				
7b	Socket Head Cap Screw	6x10, SS	7S12-0610	4	4	4	4				
8	Drip Pan		2A4118-01	1	1	1	1				
9	Evaporator Flange		4A5075-01	1	1	1	1				
10	Extruding Head		364141G03	1	1	1	1				
10a	Seal Bolt	M8, SS	P01768-02	3	3	3	3				
11	Auger		269911G01	1	1	1	1				
12	Cutter		4A5505-01	1	1	1	1				

D. Water Circuit

C-80BAJ, C-80BAJ-DS, C-80BAJ-AD, C-80BAJ-ADDS

G-0 to P-1

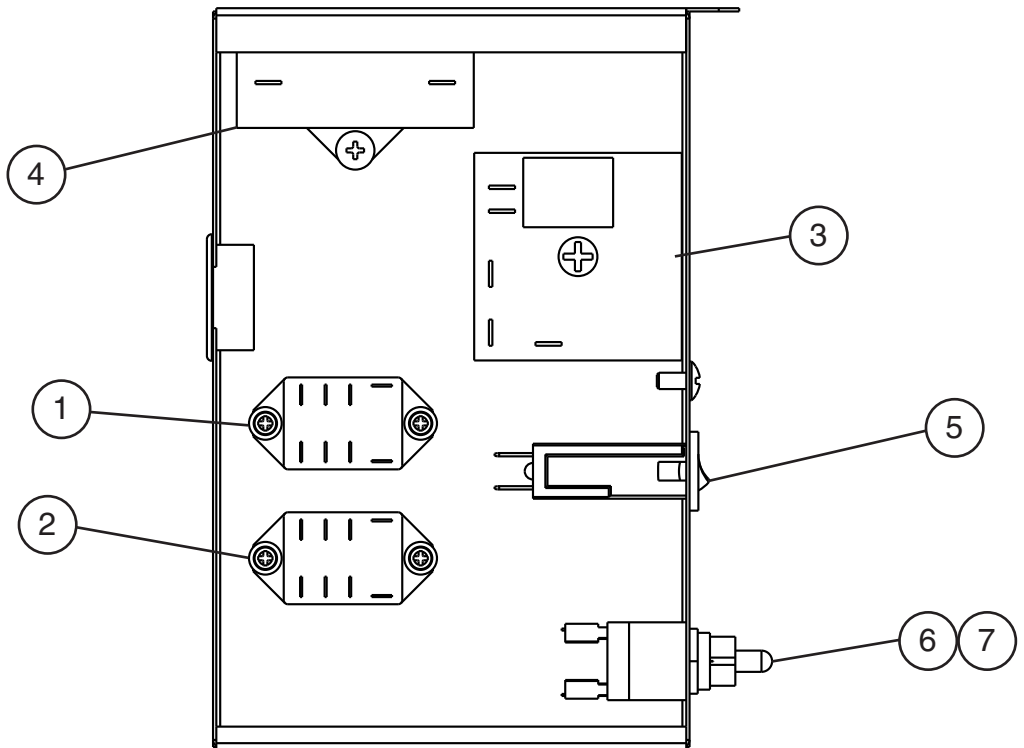


Title: D. Water Circuit Model: C-80BAJ, C-80BAJ-DS, C-80BAJ-AD, C-80BAJ-ADDS

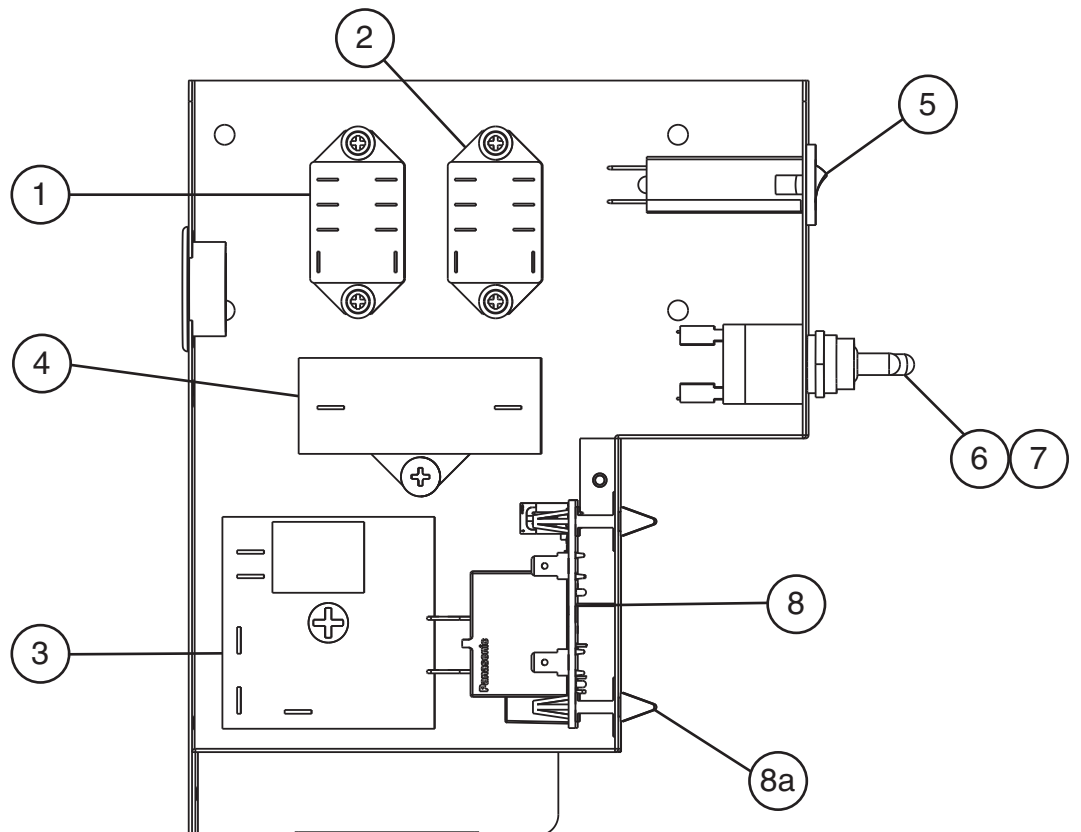
Index No.	Description	Material or Model Number	Part Number	Required Number								
				G-0 to K-0	K-1	K-2	L-0 to N-0	N-0(F) to P-1				
1	Water Supply Pipe		4A5216G05	1	1	1	1	1				
2	Rubber Gasket		413854-03	1	1	1	1	1				
3	Inlet Water Valve	SP-5565	4A5251-05	1	-							
			4A6722-02		1	1	1	1				
4	Reservoir		2A6586-01	1	1	1	1	1				
5	Float Switch		435490-01	1	1	1	1	-				
			3B1240G01					1				
6	Reservoir Cover		3A6698-01	1	1	1	1	1				
7	Overflow Hose	L=73 mm	7730-1216	1	1	-						
			7716B1216			1	1	1				
8	Reservoir Inlet Hose		4A5388-01	1	-							
			4A0869-01		1	1	1	1				
9	Drain Valve		4A5530-03	1	1	1	1	1				
10	Drain Fitting		4A3488G01	1	1	1	1	1				
11	Vinyl Hose	L=25 mm	7725-1923	1	1	1	1	1				
12	Silicone Hose	L=20 mm	7730-1519	1	1	1	1	1				
13	Vinyl Hose	L=280 mm	7725B1923	1	1	1	1	1				
14	Silicone Hose	L=60 mm	7730-1519	1	1	1	1	1				
15	Reservoir Outlet Hose		3B0742-01	1	1	1	1	1				
16	Drain Hose		3A7521-01	1	1	1	1	1				
17	Drain Pan (Gear Motor)		323765G01	1	1	1	1	1				
18	Vinyl Cap		4A4370-01	1	1	1	1	1				
19	Hose Clamp	25 mm	427443-03	2	2	2	2	2				
20	Hose Clamp	27 mm	4A2017-09	1	1	1	1	1				
21	Hose Clamp	22-25 mm	4A2017-08	1	1	1	1	1				
22	Nylon Tie		8911-0200	7	7	7	7	7				

E. Control Box Assembly
C-80BAJ, C-80BAJ-DS, C-80BAJ-AD, C-80BAJ-ADDS
 G-0 to P-1

G-0 to N-0

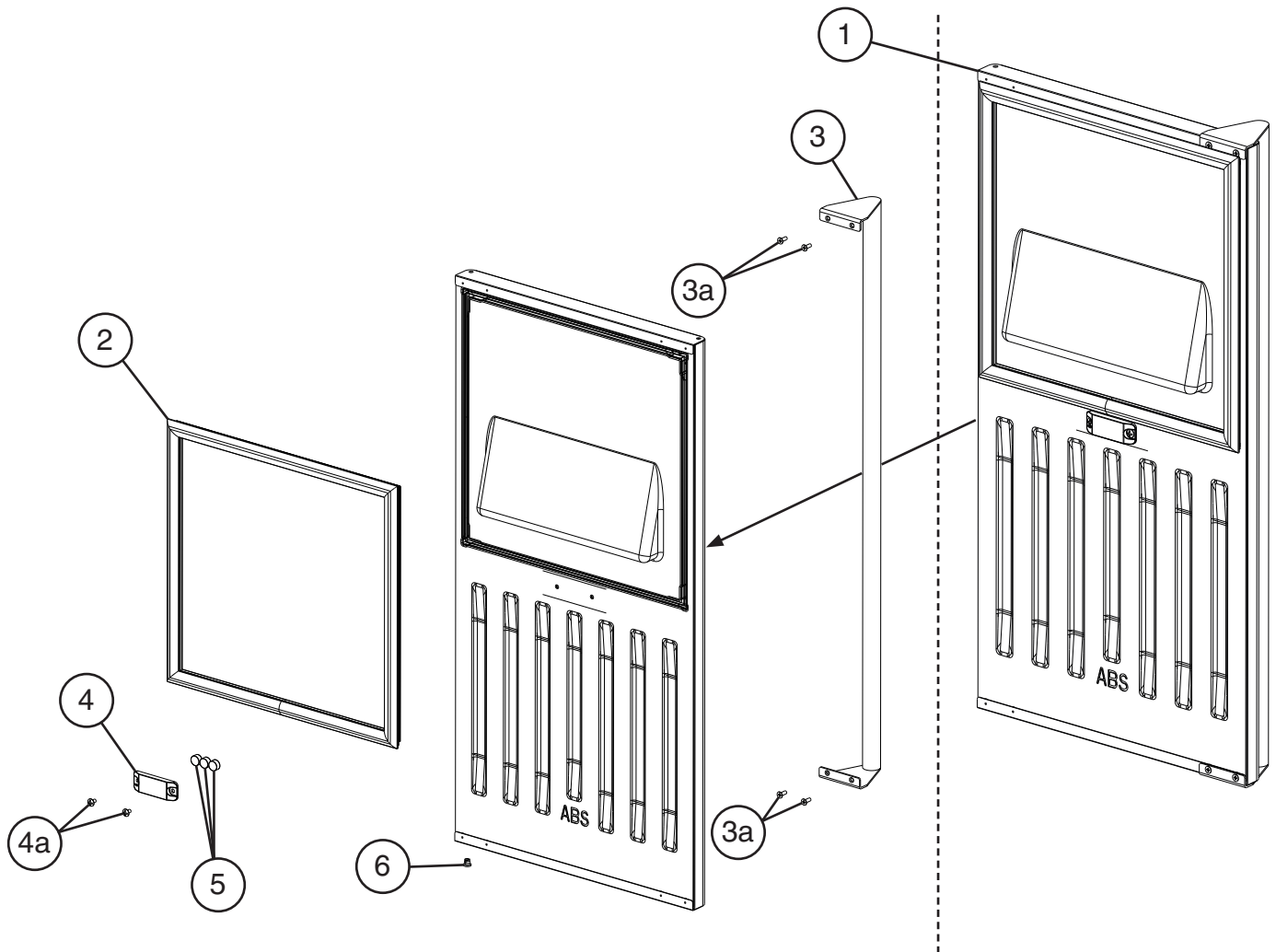


N-2 and Later



Title: E. Control Box Assembly Model: C-80BAJ, C-80BAJ-DS, C-80BAJ-AD, C-80BAJ-ADDS											
Index No.	Description	Material or Model Number	Part Number	Required Number							
				G-0 to H-0	H-1	H-2 to N-0	N-2 to P-1				
1	Compressor Relay		418271-03	1	1	1	1				
2	Water Control Relay		406132-07	1	1	1	1				
3	Time Delay Relay (Gear Motor/ Compressor Delay)		4A5389-01	1	1	1	1				
4	Gear Motor Capacitor	10MFD, 280VAC	416921-05	1	1	1	1				
5	Gear Motor Protector	1.6A	427253-01	1	-						
		1.0A	4A6087-01		1	-					
		2.0A	4A6087-02			1	1				
6	Control Switch		443119-01	1	1	1	1				
7	Cap		4A1937-01	1	1	1	1				
8	Thermistor Control Board		2B0595-01				1				
8a	Control Board Support		4A0336-03				1				

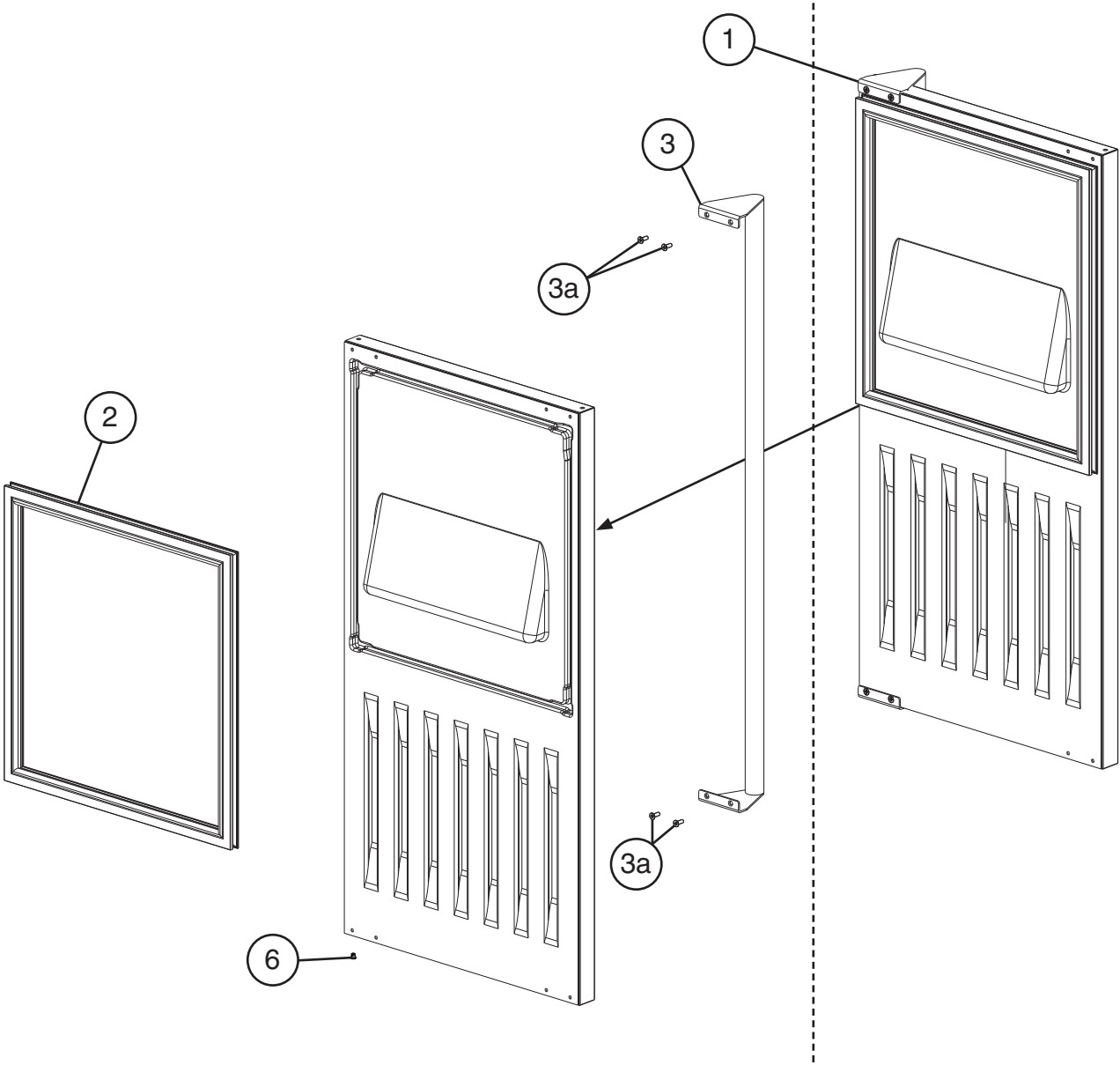
F. Door Assembly
C-80BAJ, C-80BAJ-AD
1/2
G-0 to P-0



F. Door Assembly
C-80BAJ, C-80BAJ-AD

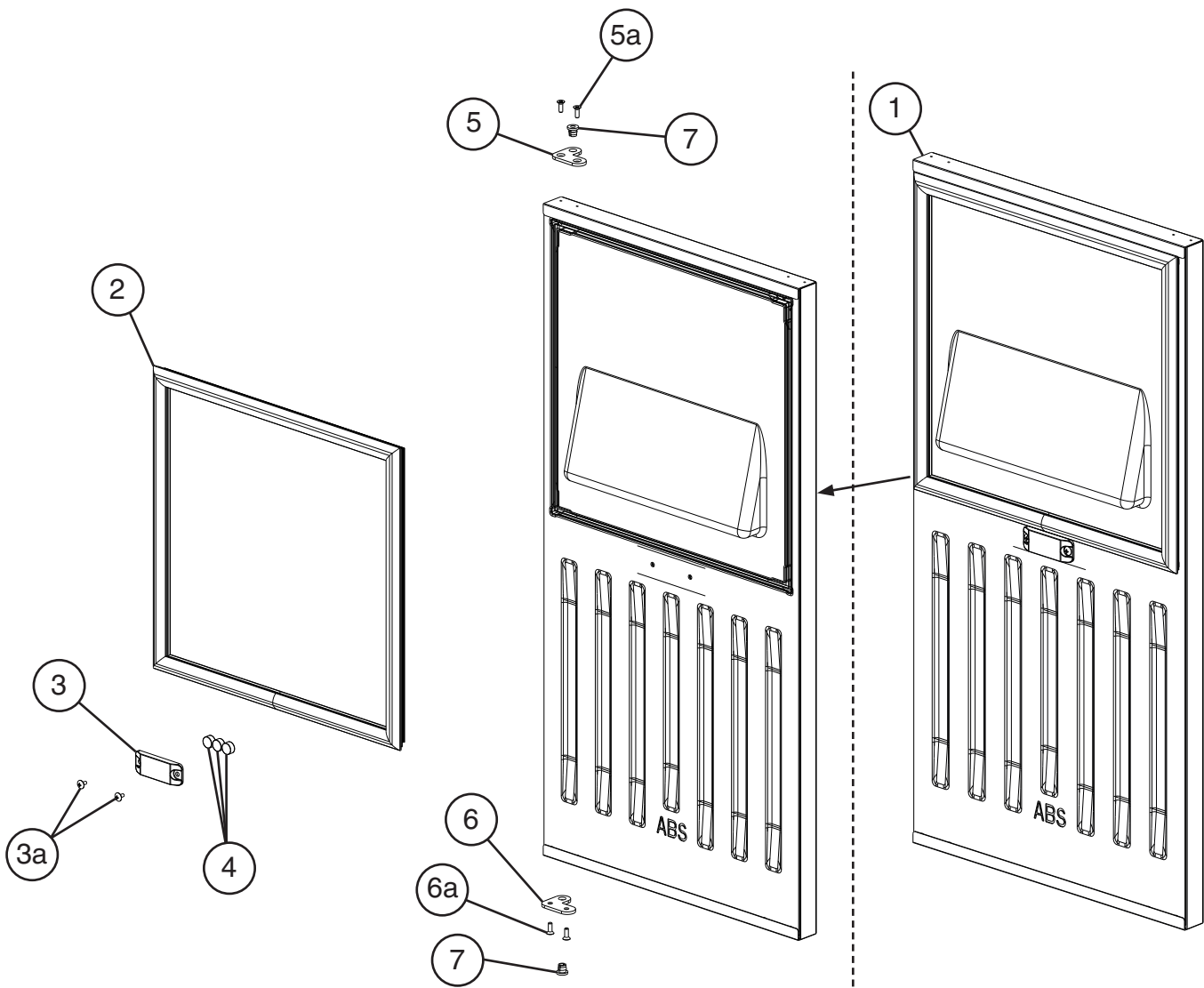
2/2

P-1

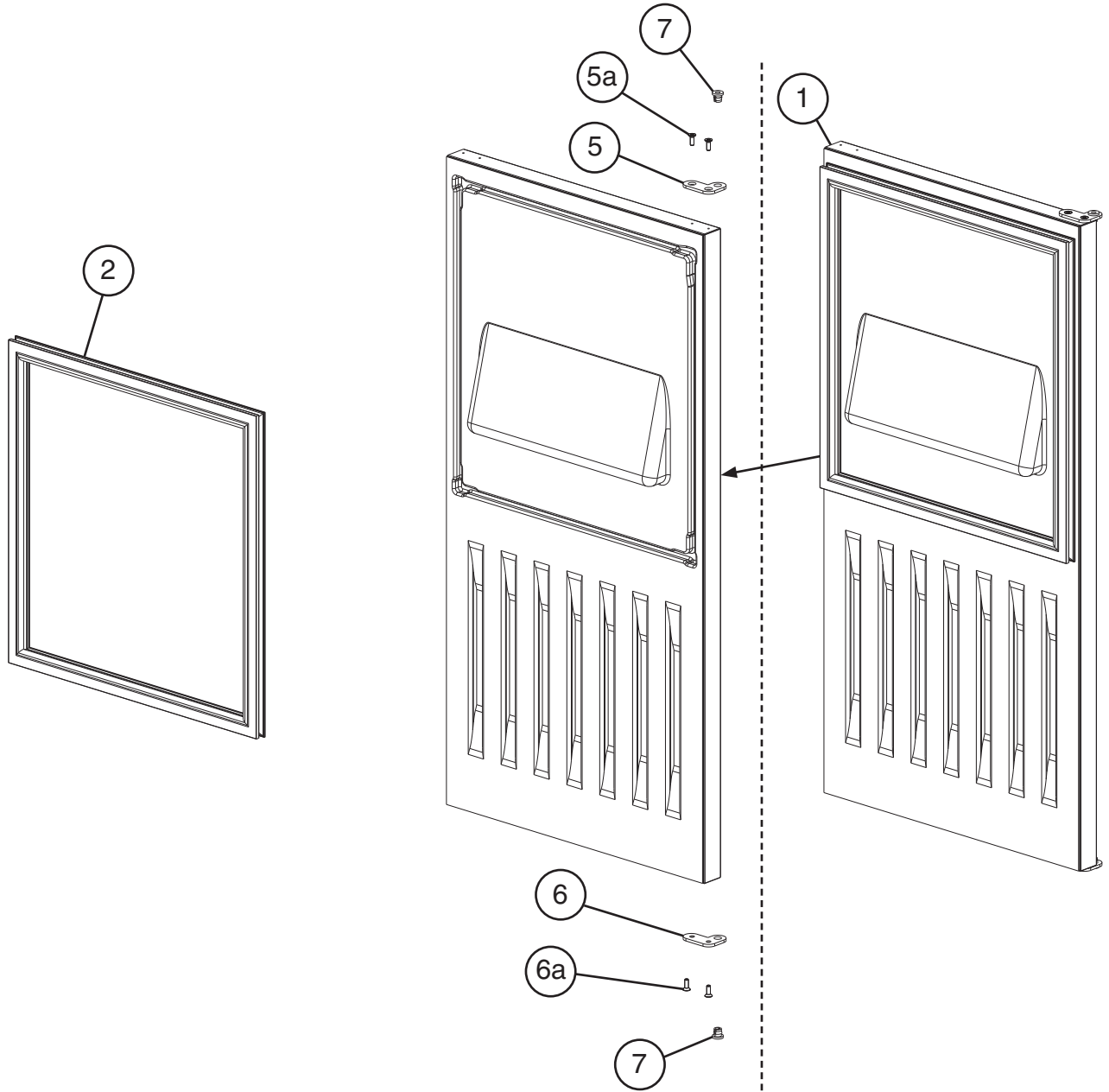


Title: F. Door Assembly Model: C-80BAJ, C-80BAJ-AD											
Index No.	Description	Material or Model Number	Part Number	Required Number							
				G-0 to P-0	P-1						
1	Door Assembly (includes items 2 through 6)	C-80BAJ	2B0329G03	1	1						
		C-80BAJ-AD (SP-5701)	2B0329G04	1	1						
2	Gasket		2A3017-01	1	-						
			2A9907-01		1						
3	Handle	C-80BAJ	4A6129-01	1	1						
		C-80BAJ-AD	4A6129-02	1	1						
3a	Flat Head Screw	4x12, SS	7C22-0412	4	4						
4	Magnet Holder		4Y0203-01	1							
4a	Truss Head Screw		7C32-0408	2							
5	Magnet		4A4686-01	3							
6	Bushing		4A6410-01	1	1						

F. Door Assembly
C-80BAJ-DS, C-80BAJ-ADDS
G-0 to P-0



F. Door Assembly
C-80BAJ-DS, C-80BAJ-ADDS
P-1



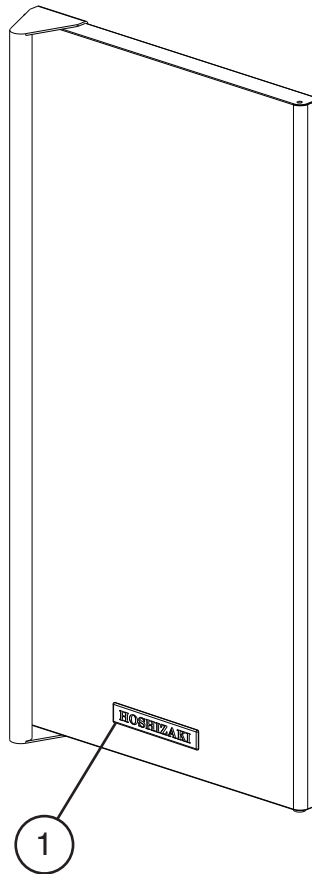
Title: F. Door Assembly Model: C-80BAJ-DS, C-80BAJ-ADDS

Index No.	Description	Material or Model Number	Part Number	Required Number								
				G-0 to P-0	P-1							
1	Door Assembly (includes items 2 through 5)	C-80BAJ-DS	2B0330G03	1	1							
		C-80BAJ-ADDS	2B0330G04	1	1							
2	Gasket		2A3017-01	1	-							
			2A9907-01		1							
3	Magnet Holder		4Y0203-01	1								
3a	Truss Head Screw		7C32-0408	2								
4	Magnet		4A4686-01	3								
5	Hinge C Assembly (UR, LL) (includes one of item 7)		4A3983G01	1	1							
5a	Flat Head Screw	4x12, SS	7C22-0412	2	2							
6	Hinge C Assembly (LR, UL) (includes one of item 7)		4A3983G02	1	1							
6a	Flat Head Screw	4x12, SS	7C22-0412	2	2							
7	Bushing		4A6410-01	2	2							

G. Accessories & Labels

C-80BAJ, C-80BAJ-DS, C-80BAJ-AD, C-80BAJ-ADDS

G-0 to P-1



Title: G. Accessories & Labels Model: C-80BAJ, C-80BAJ-DS, C-80BAJ-AD, C-80BAJ-ADDS											
Index No.	Description	Material or Model Number	Part Number	Required Number							
				G-0 to P-1							
1	Hoshizaki Emblem	C-80BAJ C-80BAJ-AD	4A0560-01	1							
2	Scoop		204336-01	1							
3	Control Label		3A7575-01	1							
4	Drain Elbow	For use with optional Drain Pump Kit HS-5061	4A1017-01	1							
5	Canoe Clip	C-80BAJ C-80BAJ-AD	4A5835-01	4							
		C-80BAJ-DS C-80BAJ-ADDS		2							
6	L Bracket	C-80BAJ-DS C-80BAJ-ADDS	4A3998-01	1							
7	Threaded Wood Insert	C-80BAJ-DS C-80BAJ-ADDS	4A4004-01	6							