



HOSHIZAKI

Parts List

Self-Contained Cubelet

Models

C-80BAK

C-80BAK-DS

C-80BAK-AD

C-80BAK-ADDS



CONTENTS

Auxiliary Codes.....	3
Note About Ordering Parts	4
A. Main Assembly	5
B. Refrigeration Circuit.....	7
C. Icemaking Unit	8
D. Water Circuit	10
E. Control Box Assembly.....	12
F. Door Assembly	13
C-80BAK, C-80BAK-AD	13
C-80BAK-DS, C-80BAK-ADDS	14
G. Accessories & Labels.....	15

Auxiliary Codes

C-80BAK

P-0 January 2024

P-2 August 2024

Q-0 March 2025

Q-1 June 2025

C-80BAK-DS

Q-0 March 2025

Q-1 August 2025

C-80BAK-AD

Q-0 March 2025

Q-1 June 2025

C-80BAK-ADDS

Q-0 March 2025

Q-1 July 2025

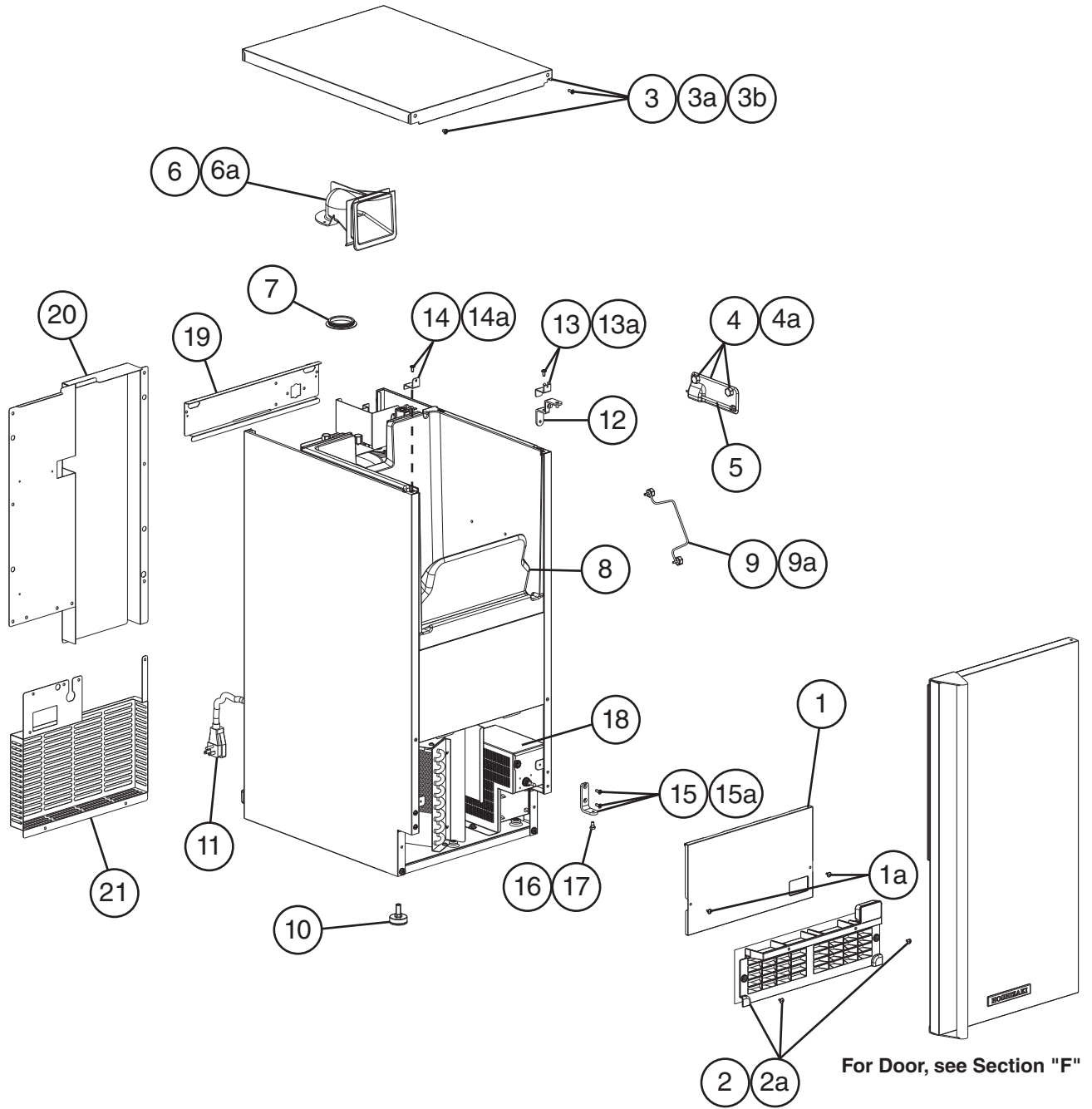
Auxiliary Code Breakdown

The auxiliary code is the first two characters in the serial number. The first character indicates the year. Years progress or regress in alphabetical order. The series runs from "A" through "V" and the letters "I" and "O" are skipped. The second character indicates significant part changes within a year. Base is "0" and this number advances for each change. In cases where there is a letter in parentheses, this designates the month. This is the last character in the serial number. The series runs from "(A)" through "(M)" and the letter "(I)" is skipped. This designation is only included when identifying a parts change within an auxiliary code.

Note About Ordering Parts

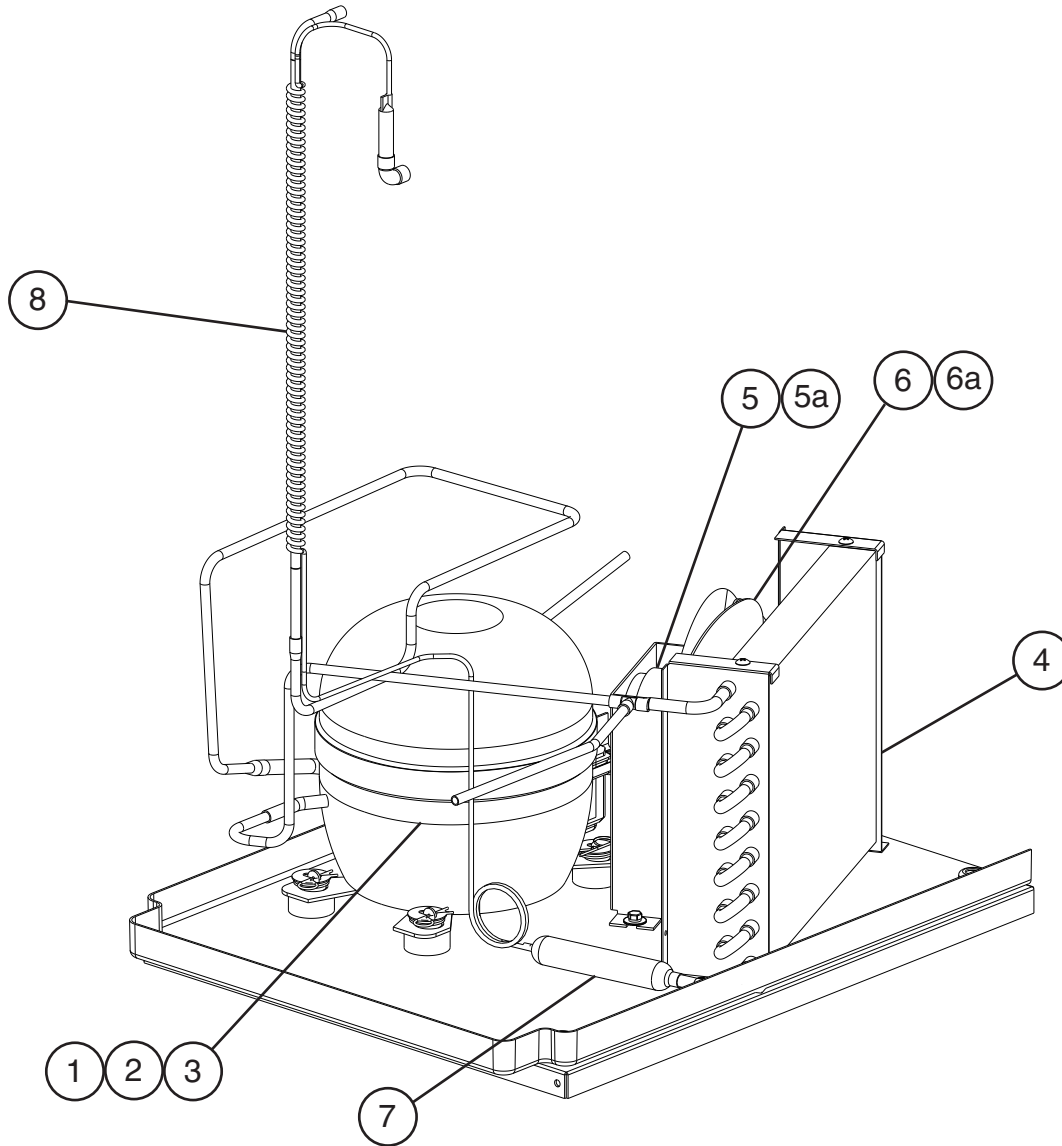
Most assemblies cannot be ordered as complete units; parts in the assemblies generally must be ordered separately.

A. Main Assembly
C-80BAK(-DS)(-AD)(-ADDS)
P-0 to Q-1



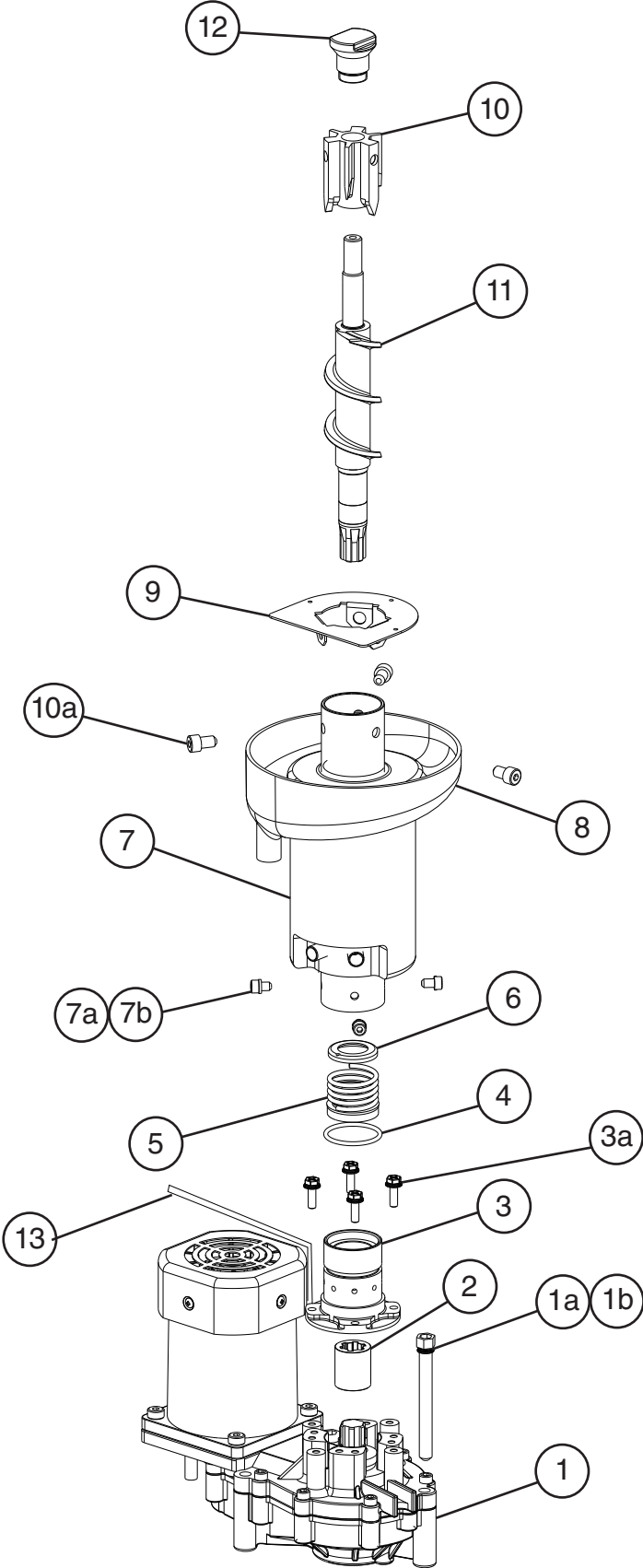
Title: A. Main Assembly Model: C-80BAK(-DS)(-AD)(-ADDS)											
Index No.	Description	Material or Model Number	Part Number	P-0 to Q-1	Required Number						
Main Assembly											
1	Front Panel	C-80BAK C-80BAK-DS	2A8926-01	1							
		C-80BAK-AD C-80BAK-ADDS	2A8926-02	1							
1a	Screw		7F32-0408	2							
2	Louver		2H5560-01	1							
2a	Screw		7C32-0412	2							
3	Top Panel Assembly		2B0910G01	1							
3a	Flat Head Screw		7C22-0412	1							
3b	Truss Head Screw		7C32-0408	1							
4	Bin Control Thermistor Holder		2B0632-01	1							
4a	Thumbscrew		415949G10	2							
5	Bin Control Thermistor		2B0601-01	1							
6	Spout		2A6636-01	1							
6a	Thumbscrew		415949G12	3							
7	Packing		427151-01	1							
8	Slope		3X6383-01	1							
9	Scoop Holder		4Y0213-01	1							
9a	Thumbscrew		415949G10	2							
10	Leg		4A2966-01	4							
11	Power Supply Cord		4A5718-01	1							
12	Upper Right Hinge A	C-80BAK C-80BAK-AD	4Y0194G01	1							
		C-80BAK-DS C-80BAK-ADDS	4A4885G01	1							
13	Upper Right Hinge A Bracket		3B1873-01	1							
13a	Truss Head Screw		7C22-0412	1							
14	Upper Left Hinge Brace		4Y0193-01	1							
14a	Truss Head Screw		7C32-0408	1							
15	Lower Right Hinge B	C-80BAK C-80BAK-AD	4Y0192-01	1							
		C-80BAK-DS C-80BAK-ADDS	4A3980-01	1							
15a	Flat Head Screw	4x12, SS	7C22-0412	2							
16	Hinge Stop Pin		4A2180-01	1							
17	Tooth Washer	M6, SS	7R22-0600	1							
18	Control Box Cover		3B1846-01	1							
19	Upper Rear Panel		3B0802-01	1							
20	Upper Middle Rear Panel		2B0709-01	1							
21	Lower Louver Rear Panel	C-80BAK C-80BAK-DS	2B0706-01	1							
		C-80BAK-AD C-80BAK-ADDS	2B0714-01	1							

B. Refrigeration Circuit
C-80BAK(-DS)(-AD)(-ADDS)
P-0 to Q-1



Title: B. Refrigeration Circuit Model: C-80BAK(-DS)(-AD)(-ADDS)					Required Number												
Index No.	Description	Material or Model Number	Part Number	P-0 to Q-1													
1	Compressor Assembly (includes items 2 and 3)		4A7345-01	1													
2	PTC Relay		4A7349-01	1													
3	Compressor External Protector		4A7438-01	1													
4	Condenser		2H5586-01	1													
5	Fan Motor Assembly (includes item 6 and 6a)		1A8025A01	1													
6	Fan Blade		3A4467-01	1													
6a	Hex Nut		4A1345-01	1													
7	Drier		445655-04	1													
8	Heat Exchanger		3B1639G01	1													

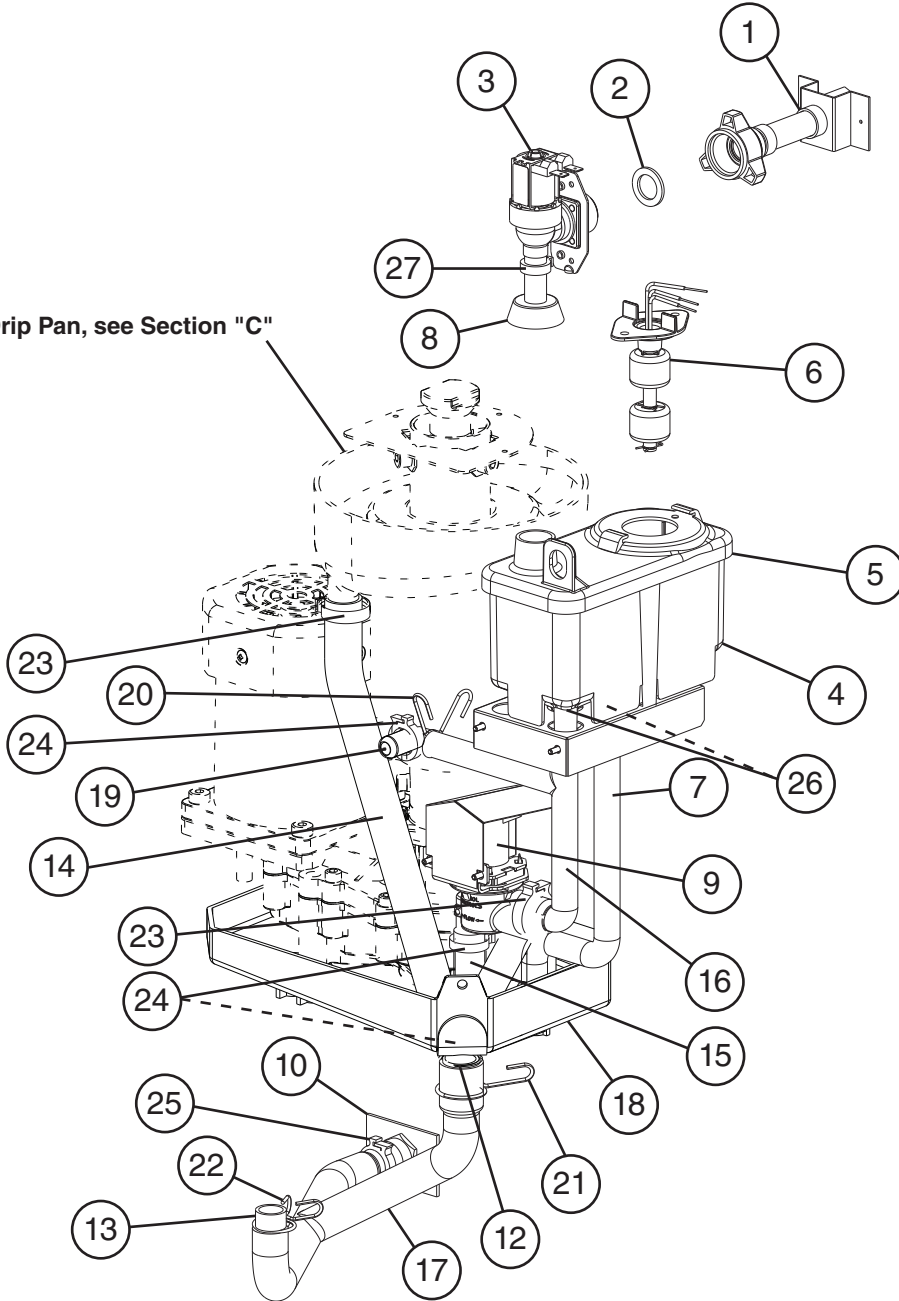
C. Icemaking Unit
C-80BAK(-DS)(-AD)(-ADDS)
P-0 to Q-1



Title: C. Icemaking Unit Model: C-80BAK(-DS)(-AD)(-ADDS)												
Index No.	Description	Material or Model Number	Part Number	P-0 to Q-1	Required Number							
1	Gear Motor		4A5855-01	1								
1a	Socket Head Cap Screw	8x95, SS	7S12-0895	2								
1b	Split Lock Washer	M8, SS	7L22-0800	2								
2	Spline Coupling		418316-01	1								
3	Housing		383613G01	1								
3a	Hex Head Bolt	6x20, SS	4A1989-01	4								
4	O-Ring		4A4755-01	1								
5	Mechanical Seal		432491-03	1								
6	Ring		432494-01	1								
7	Evaporator		364138G01	1								
7a	Split Lock Washer	M6, SS	7L22-0600	4								
7b	Socket Head Cap Screw	6x10, SS	4A7498-01	4								
8	Drip Pan		2A4118-01	1								
9	Evaporator Flange		4A5075-01	1								
10	Extruding Head		364141G03	1								
10a	Seal Bolt	M8, SS	P01768-02	3								
11	Auger		269911G01	1								
12	Cutter		4A5505-01	1								
13	Gear Motor Barrier		3B1297-01	1								

D. Water Circuit
C-80BAK(-DS)(-AD)(-ADDS)
P-0 to Q-1

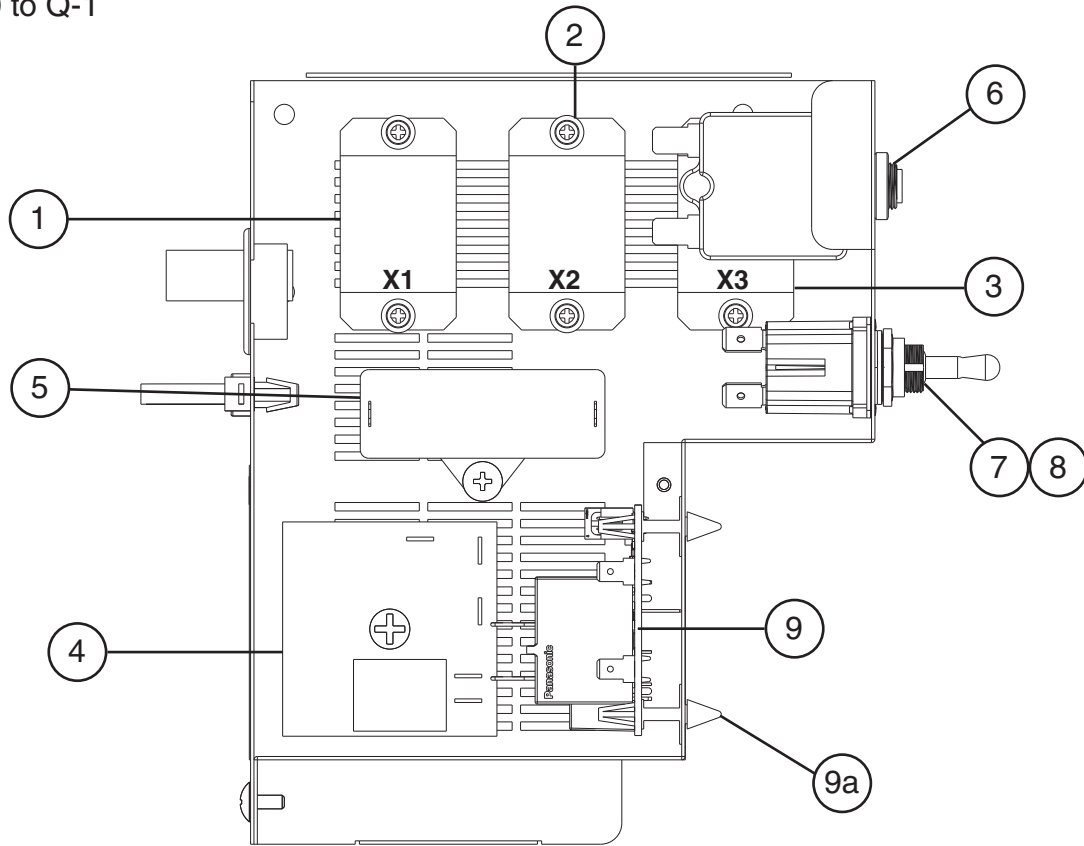
For Drip Pan, see Section "C"



Title: D. Water Circuit Model: C-80BAK(-DS)(-AD)(-ADDS)

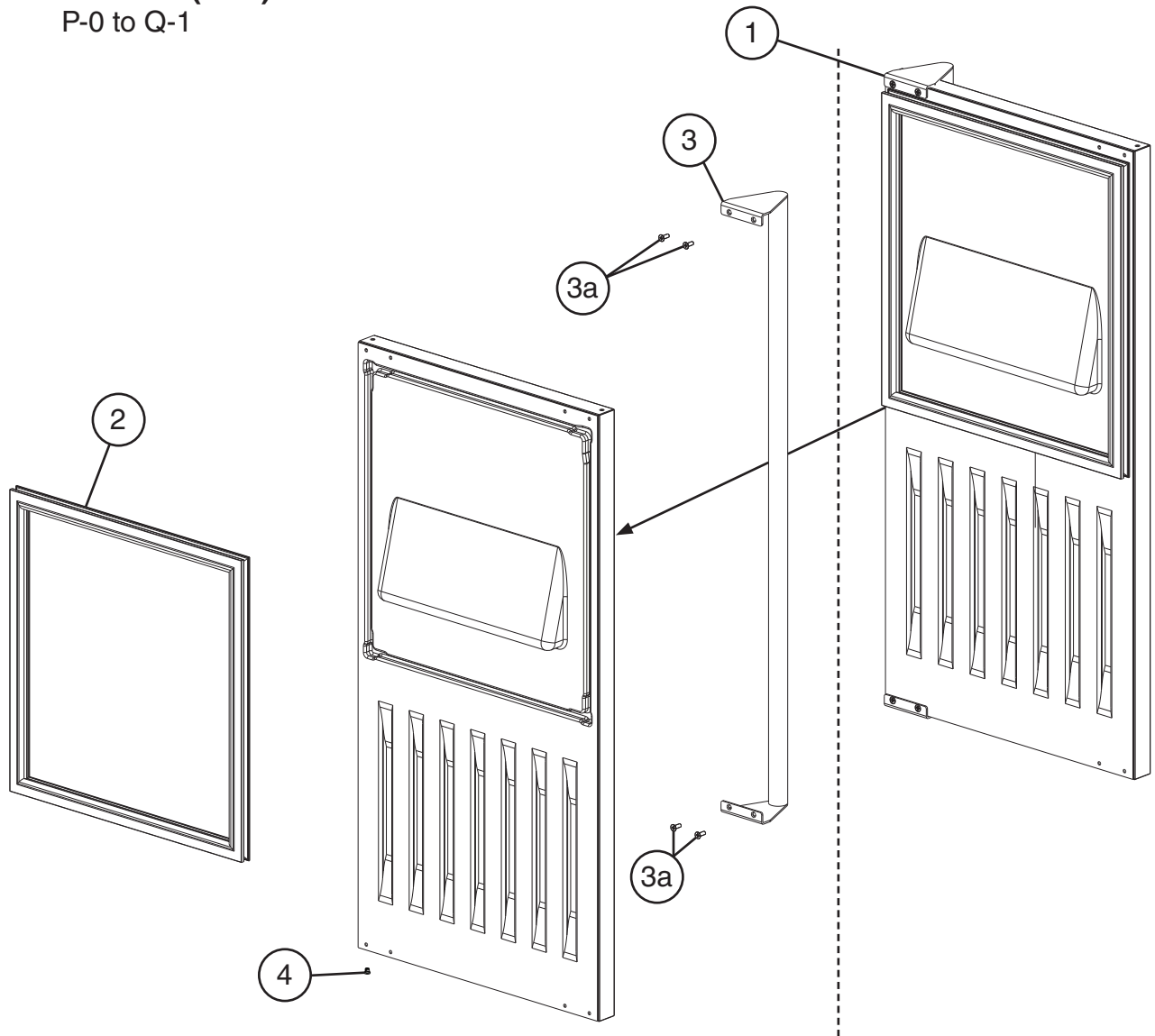
Index No.	Description	Material or Model Number	Part Number	P-0 to Q-1	Required Number								
1	Water Supply Pipe		4A5216G05	1									
2	Rubber Gasket		413854-03	1									
3	Inlet Water Valve		4A6722-02	1									
4	Reservoir		2A6586-01	1									
5	Reservoir Cover		3A6698-01	1									
6	Float Switch		435490-01	1									
7	Overflow Hose	L=240 mm	7716B1216	1									
8	Reservoir Inlet Hose		4A0869-01	1									
9	Drain Valve		4A5530-03	1									
10	Drain Fitting		4A3488G01	1									
11	Vinyl Hose	L=25 mm	7725B1923	1									
12	Silicone Hose	L=20 mm	7730-1519	1									
13	Vinyl Hose	L=280 mm	7725B1923	1									
14	Silicone Hose	L=60 mm	7730-1519	1									
15	Reservoir Outlet Hose		3B0742-01	1									
16	Drain Hose		3A7521-01	1									
17	Drain Pan (Gear Motor)		323765G01	1									
18	Vinyl Cap		4A4370-01	1									
19	Hose Clamp	SS (13.5 mm)	427443-07	1									
20	Hose Clamp	SS (27 mm)	427443-08	1									
21	Hose Clamp	SS (23 mm)	427443-10	1									
22	Hose Clamp	21-26 mm	4A2017-01	2									
23	Hose Clamp	17-21 mm	4A2017-05	3									
24	Hose Clamp	19-22 mm	4A2017-06	1									
25	Hose Clamp	15-17 mm	4A2017-07	2									
26	Hose Clamp	14-15 mm	4A2017-08	1									

E. Control Box Assembly
C-80BAK(-DS)(-AD)(-ADDS)
P-0 to Q-1



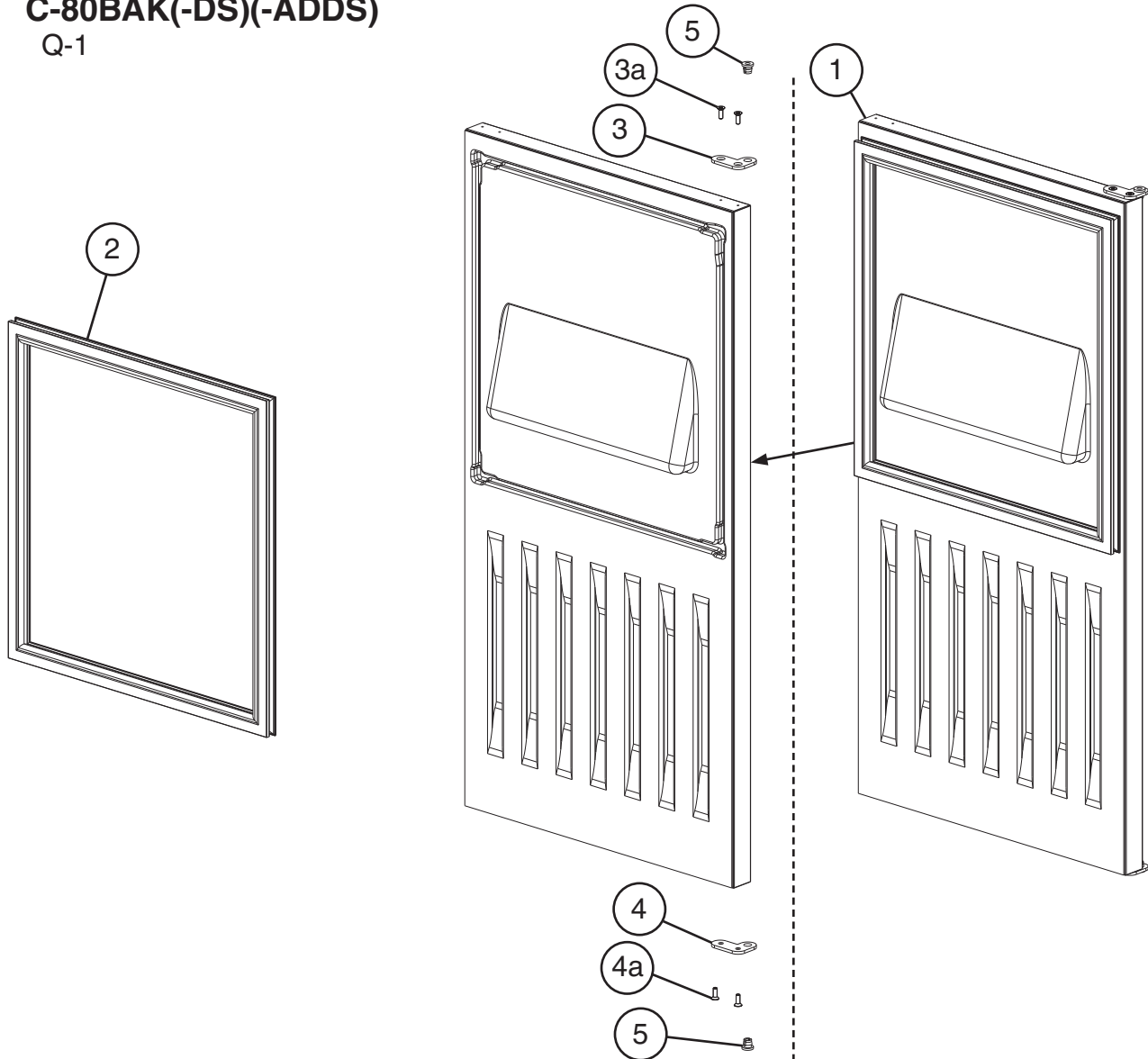
Title: E. Control Box Assembly		Model: C-80BAK(-DS)(-AD)(-ADDS)		Required Number								
Index No.	Description	Material or Model Number	Part Number	P-0 to Q-1								
1	X1 Compressor Relay		4A7047-01	1								
2	X2 Water Control Relay 1		4A7047-01	1								
3	X3 Water Control Relay 2		4A7047-02	1								
4	Time Delay Relay (Gear Motor/ Compressor Delay)		4A5389-01	1								
5	Gear Motor Capacitor	10MFD, 250VAC	4A2128-01	1								
6	Circuit Breaker		4A7448-01	1								
7	Control Switch		4A7449-01	1								
8	Cap		4A1937-01	1								
9	Thermistor Control Board		2B0595-02	1								
9a	Thermistor Control Board Support		4A0336-03	4								

F. Door Assembly
C-80BAK(-AD)
P-0 to Q-1



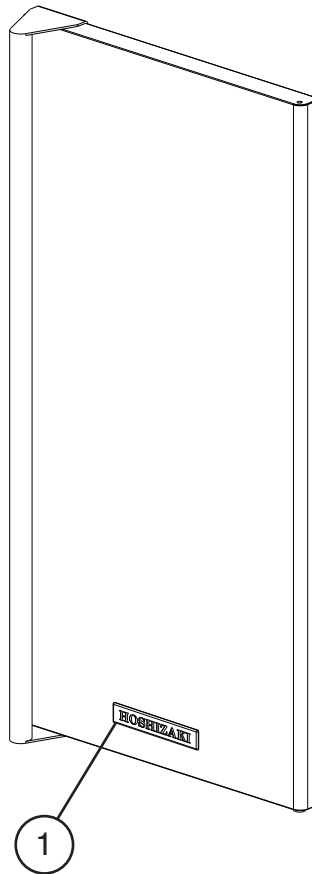
Title: F. Door Assembly		Model: C-80BAK(-AD)		Required Number							
Index No.	Description	Material or Model Number	Part Number	P-0							
				to							
				Q-1							
1	Door Assembly (includes items 2 through 4)	C-80BAK	2B0329G03	1							
		C-80BAK-AD (SP-5701)	2B0329G04	1							
2	Magnetic Gasket		2A9907-01	1							
3	Handle	C-80BAK	4A6129-01	1							
		C-80BAK-AD	4A6129-02	1							
3a	Flat Head Screw	4x12, SS	7C22-0412	4							
4	Bushing		4A6410-01	1							

F. Door Assembly
C-80BAK(-DS)(-ADDS)
 Q-1



Title: F. Door Assembly Model: C-80BAK(-DS)(-ADDS)				Required Number								
Index No.	Description	Material or Model Number	Part Number	P-0 to Q-1								
1	Door Assembly (includes items 2 through 5)	C-80BAK-DS	2B0330G03	1								
		C-80BAK-ADDS	2B0330G04	1								
2	Magnetic Gasket		2A9907-01	1								
3	Hinge C Assembly (UR, LL) (includes one of item 5)		4A3983G01	1								
3a	Flat Head Screw	4x12, SS	7C22-0412	2								
4	Hinge C Assembly (LR, UL) (includes one of item 5)		4A3983G02	1								
4a	Flat Head Screw	4x12, SS	7C22-0412	2								
5	Bushing		4A6410-01	2								

G. Accessories & Labels
C-80BAK(-DS)(-AD)(-ADDS)
P-0 to Q-1



Title: G. Accessories & Labels Model: C-80BAK(-DS)(-AD)(-ADDS)												
Index No.	Description	Material or Model Number	Part Number	Required Number								
				P-0 to Q-1								
1	Hoshizaki Emblem	C-80BAK C-80BAK-AD	4A0560-01	1								
2	Scoop		204336-01	1								
3	Drain Elbow	For use with optional Drain Pump Kit HS-5061	4A1017-01	1								
4	Canoe Clip	C-80BAK C-80BAK-AD	4A5835-01	4								
		C-80BAK-DS C-80BAK-ADDS		2								
5	L Bracket	C-80BAK-DS C-80BAK-ADDS	4A3998-01	1								
6	Threaded Wood Insert	C-80BAK-DS C-80BAK-ADDS	4A4004-01	6								