



HOSHIZAKI

Parts List

Commercial Series
Refrigerated Kitchen Equipment

Models

CR1S, CF1S

CR2S, CF2S

CR3S, CF3S

Full Glass (FGE/FGY),

Full Solid (FS), Half Solid (HS)



hoshizakiamerica.com

Number: 71362
Issued: 7-24-2015
Revised: 7-26-2019

CONTENTS

Auxiliary Codes.....	3
Note About Ordering Parts	6
A. Main Assembly	7
C_1S-FGE/FG ECL/FG ECR/FGY/FGYCL/FGYCR/FS/FSL/HS/HSL.....	7
C_2S-FGE/FGY/FS/HS	9
C_3S-FGE/FGY/FGYCL/FGYCR/FS/F SCL/FSCR/HS	12
B. Refrigeration Circuit.....	16
CR1S-FGE/FG ECL/FG ECR/FGY/FGYCL/FGYCR/FS/FSL/HS/HSL, CR3S-FGE/FGY/FGYCL/FGYCR/FS/F SCL/FSCR/HS One Section.....	16
CF1S-FGE/FGY/FS/FSL/HS/HSL CF3S-FS/HS One Section	18
CR2S-FGE/FGY/FS/HS, CR3S-FGE/FGY/FGYCL/FGYCR/FS/F SCL/FSCR/HS Two Section	20
CF2S-FGE/FGY/FS/HS, CF3S-FS/HS Two Section.....	22
C. Control Box Assembly	24
C_1S-FGE/FGY/FGYCL/FGYCR/FS/FSL/HS/HSL, CR2S-FGE/FGY/FS/HS, CR3S-FGE/FGY/FGYCL/FGYCR/FS/F SCL/FSCR/HS One & Two Section, CF3S-FS/HS One Section	24
CF2S-FGY/FS/HS, CF3S-FS/HS Two Section.....	25
D. Door-Right Hinged	26
Full Glass	26
Full Solid	27
Half Solid	28
E. Door-Left Hinged	30
Full Glass	30
Full Solid	31
Half Solid	32
F. Accessories & Labels.....	34
C_1S-FGE/FG ECL/FG ECR/FGY/FGYCL/FGYCR/FS/FSL/HS/HSL, C_2S-FGE/FGY/FS/HS, C_3S-FGE/FGY/FGYCL/FGYCR/FS/F SCL/FSCR/HS	34

Auxiliary Codes

CR1S-FGE

F-5 April 2016
G-5 January 2017
G-6 February 2017
G-7 April 2017
G-8 July 2017
H-5 January 2018

CR1S-FGECL

F-5 July 2016
G-5 January 2017
G-6 February 2017
G-7 April 2017
G-8 July 2017
H-5 January 2018

CR1S-FGECR

F-5 July 2016
G-5 January 2017
G-6 February 2016
G-7 April 2017
G-8 July 2017
H-5 January 2018

CR1S-FGY

E-5 October 2015
E-8 October 2015
F-5 January 2016
F-6 February 2016

CR1S-FGYCL

E-8 November 2015
F-5 January 2016
F-6 February 2016

CR1S-FGYCR

E-8 November 2015
F-5 January 2016
F-6 February 2016

CR1S-FS

E-5 March 2015
E-6 May 2015
E-7 July 2015
E-8 October 2015
F-5 January 2016
F-6 February 2016
F-7 June 2016
F-8 December 2016
G-5 January 2017
G-6 February 2017
G-7 April 2017
G-8 June 2017
G-9 September 2017
H-5 January 2018

CR1S-FSL

E-5 April 2015
E-6 June 2015
E-7 August 2015
E-8 October 2015
F-5 January 2016
F-6 February 2016
F-7 June 2016
G-5 January 2017
G-6 February 2017
G-7 April 2017
G-8 June 2017
G-9 September 2017
H-5 January 2018

CR1S-HS

E-5 July 2015
E-8 October 2015
F-5 January 2015
F-6 February 2016
F-7 June 2016
G-5 January 2017
G-6 February 2017
G-7 April 2017
G-8 June 2017
G-9 October 2017
H-5 January 2018

CR1S-HSL

E-5 July 2015
E-8 November 2015
F-5 January 2015
F-6 February 2016
F-7 June 2016
G-5 January 2017
G-6 February 2017
G-7 April 2017
G-8 June 2017
G-9 December 2017
H-5 January 2018

CF1S-FGE

F-5 April 2016
G-5 January 2017
G-6 February 2017
G-7 April 2017
G-8 June 2017
H-5 January 2018

CF1S-FGY

E-5 September 2015
F-5 January 2016
F-6 February 2016
F-7 March 2016
G-8 June 2017
G-9 September 2017
H-5 January 2018

CF1S-FS

E-5 March 2015
E-6 May 2015
E-7 July 2015
E-8 October 2015
F-5 January 2016
F-6 February 2016
F-7 March 2016
F-8 June 2016
G-5 January 2017
G-6 February 2017
G-7 April 2017
G-8 June 2017
G-9 September 2017
H-5 January 2018

**Auxillary Code
(Continued)**

CF1S-FSL

E-5 April 2015
E-6 June 2015
E-7 July 2015
E-8 October 2015
F-5 January 2016
F-6 February 2016
F-7 March 2016
F-8 June 2016
G-5 January 2017
G-6 February 2017
G-7 April 2017
G-8 June 2017
G-9 September 2017
H-5 January 2018

CF1S-HS

E-5 July 2015
E-8 October 2015
F-5 January 2016
F-6 February 2016
F-7 March 2016
F-8 June 2016
G-5 January 2017
G-6 February 2017
G-7 April 2017
G-8 June 2017
G-9 September 2017
H-5 January 2018

CF1S-HSL

E-5 July 2015
E-8 October 2015
F-5 January 2016
F-6 February 2016
F-7 March 2016
F-8 June 2016
G-5 January 2017
G-6 February 2017
G-7 April 2017
G-8 June 2017
G-9 September 2017
H-5 January 2018
G-6 February 2017
G-7 April 2017
G-8 June 2017
G-9 September 2017
H-5 January 2018

CR2S-FGE

F-5 April 2016
G-5 January 2017
G-6 February 2017
G-7 April 2017
G-8 June 2017
H-5 January 2018

CR2S-FGY

E-5 October 2015
E-8 November 2015
F-5 January 2016
F-6 February 2016

CR2S-FS

E-5 April 2015
E-6 June 2015
E-7 July 2015
E-8 November 2015
F-5 January 2016
F-6 February 2016
F-7 June 2016
G-5 January 2017
G-6 February 2017
G-7 April 2017
G-8 June 2017
G-9 September 2017
H-5 January 2018

CR2S-HS

E-5 August 2015
E-8 November 2015
F-5 January 2016
F-6 February 2016
F-7 September 2016
G-5 January 2017
G-6 February 2017
G-7 April 2017
G-8 July 2017
G-9 September 2017
H-5 January 2018

CF2S-FGY

E-5 October 2015
E-8 November 2015
F-5 January 2016
F-6 February 2016

CF2S-FGE

F-5 June 2016
G-6 March 2017
G-7 April 2017
G-8 June 2017
H-5 January 2018

CF2S-FS

E-5 April 2015
E-6 June 2015
E-7 July 2015
E-8 October 2015
F-5 January 2016
F-6 February 2016
F-7 March 2015
F-8 June 2016
G-5 January 2017
G-6 February 2017
G-7 April 2017
G-8 June 2017
G-9 September 2017
H-5 January 2018

CF2S-HS

E-6 June 2015
E-7 August 2015
F-6 February 2016
F-7 June 2016
G-5 January 2017
G-6 February 2017
G-7 April 2017
G-8 July 2017
G-9 September 2017
H-5 January 2018

**Auxillary Code
(Continued)**

CR3S-FGE

F-5 May 2016
G-6 March 2017
G-7 June 2017
G-8 July 2017
H-5 January 2018

CR3S-FGY

E-5 October 2015
F-6 February 2016

CR3S-FGYCL

E-8 November 2015
F-5 January 2016
F-6 February 2016

CR3S-FGYCR

E-8 November 2015
F-5 January 2016
F-6 February 2016

CR3S-FS

E-5 July 2015
E-7 September 2015
E-8 November 2015
F-5 January 2016
F-6 February 2016
F-7 June 2016
F-8 December 2016
G-5 January 2017
G-6 March 2017
G-7 April 2017
G-8 June 2017
G-9 September 2017
H-5 January 2018

CR3S-FSCL

F-7 September 2016
G-5 January 2017
G-6 February 2017
G-7 April 2017
G-8 July 2017
G-9 September 2017
H-5 February 2018

CR3S-FSCR

F-7 September 2016
G-5 January 2017
G-6 February 2017
G-7 April 2017
G-8 July 2017
G-9 September 2017
H-5 February 2018

CR3S-HS

E-5 October 2015
E-8 December 2015
F-6 February 2016
G-6 March 2017
G-7 June 2017
G-8 August 2017
H-5 June 2018

CF3S-FS

E-5 July 2015
E-7 September 2015
E-8 November 2015
F-5 January 2016
F-6 February 2016
F-7 March 2016
F-8 June 2016
G-5 January 2017
G-6 February 2017
G-7 April 2017
G-8 June 2017
G-9 September 2017
H-5 January 2018

CF3S-HS

E-8 October 2015
F-7 March 2016
G-6 February 2017
G-8 July 2017
G-9 September 2017
H-5 January 2018

Auxiliary Code Breakdown

The auxiliary code is the first two characters in the serial number. The first character indicates the year. Years progress or regress in alphabetical order. The series runs from "A" through "V" and the letters "I" and "O" are skipped. The second character indicates significant part changes within a year. Base is "5" and this number advances for each change. In cases where there is a letter in parentheses, this designates the month. This is the last character in the serial number. The series runs from "(A)" through "(M)" and the letter "(I)" is skipped. This designation is only included when identifying a parts change within an auxiliary code.

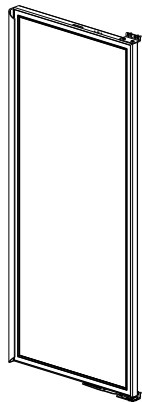
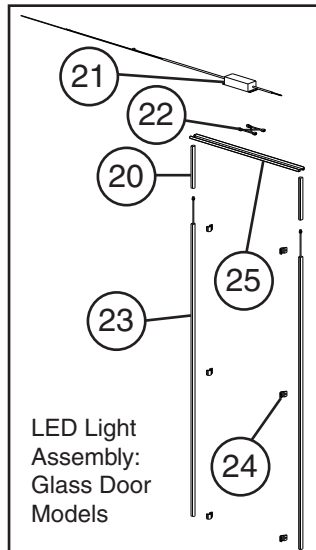
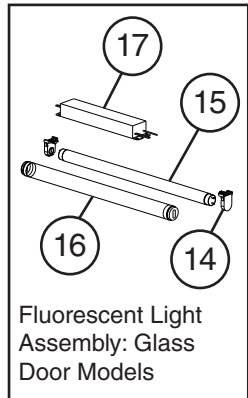
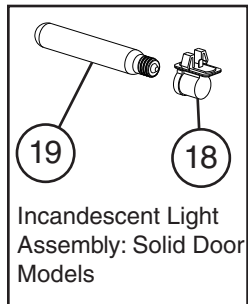
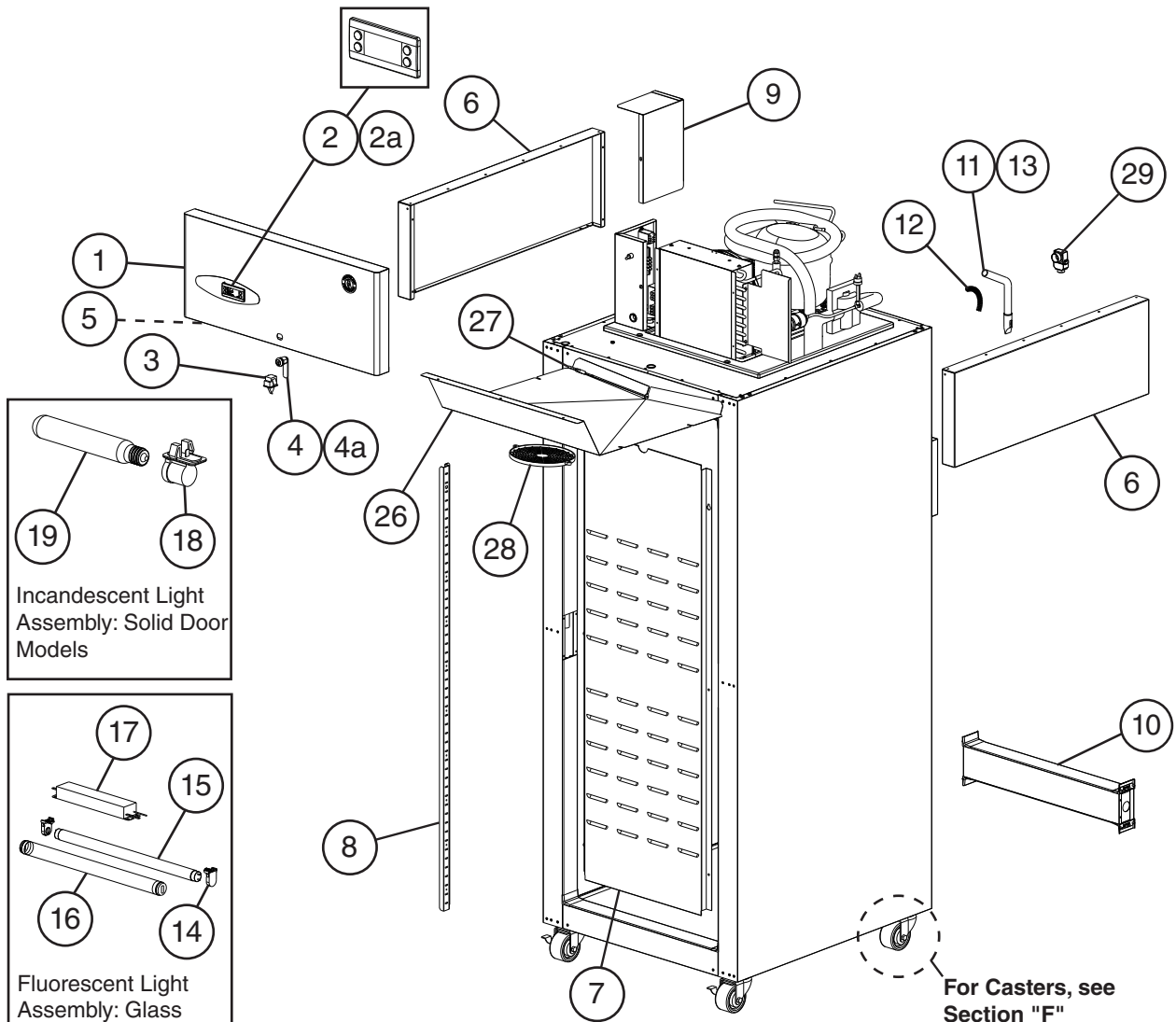
Note About Ordering Parts

Most assemblies cannot be ordered as complete units; parts in the assemblies generally must be ordered separately.

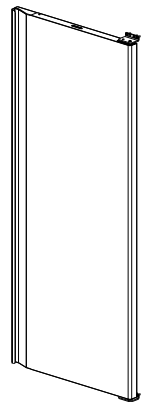
A. Main Assembly

C_1S-FGE/FGECL/FGECL/FGECL/FGECL/FGY/FGYCL/FGYCR/FS/FSL/HS/HSL

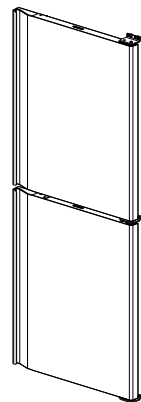
E-5 to H-5



Full Glass



Full Solid

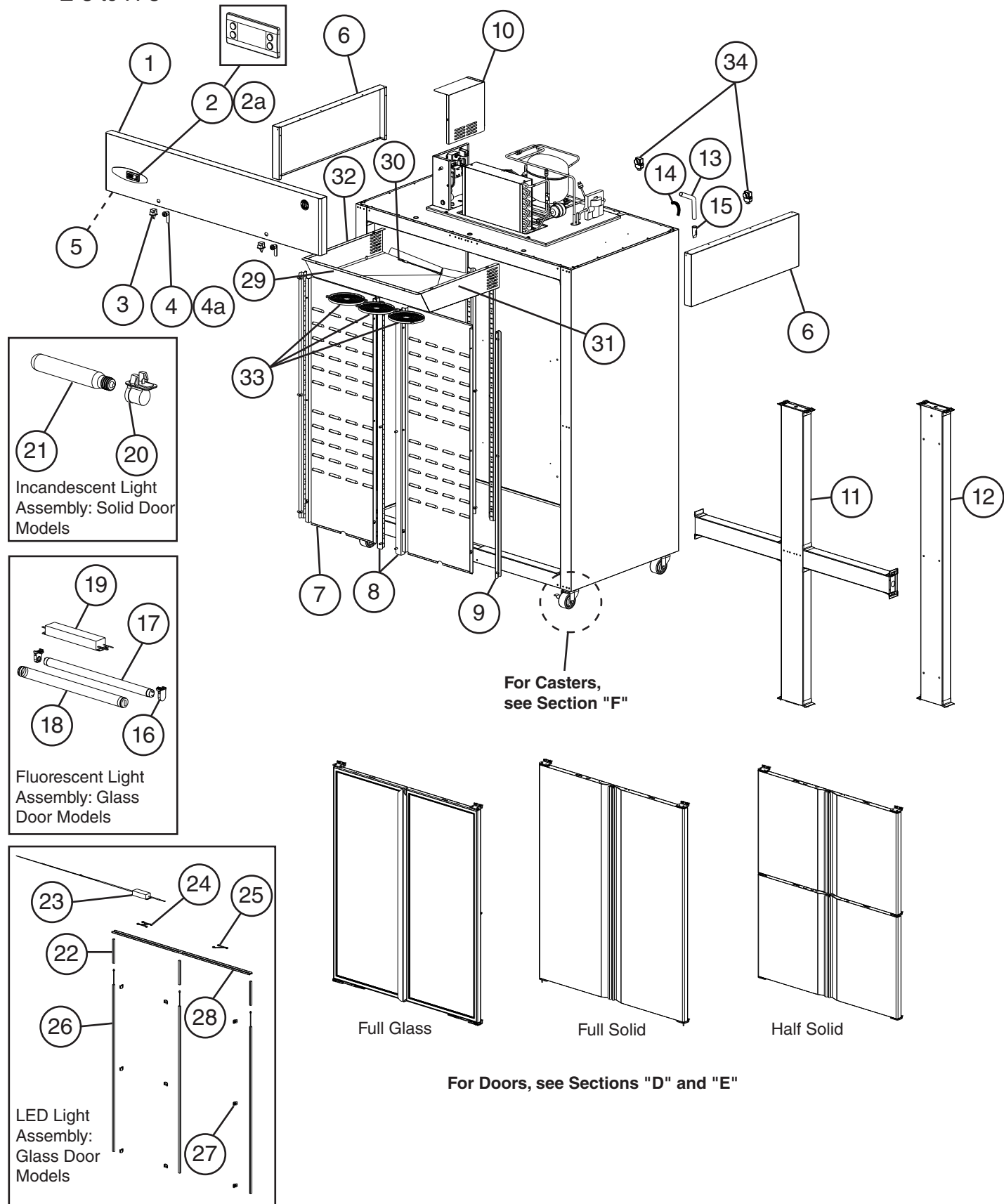


Half Solid

For Doors, see Section "D" and "E"

Title: A. Main Assembly Model: C_1S-FGE/FGEC/L/FGECR/FGY/FGYCL/FGYCR/FS/FSL/HS/HSL														
Index No.	Description	Material or Model Number	Part Number	Required Number										
				E-5 E-6	E-7 E-8	F-5 to F-6 (E)	F-6 (F) to F-7 (E)	F-7 (F) to H-5						
1	Front Panel (includes labels)	CR1S-XXX except -FGY(XX)	3A9034G01	1	1	1	1	1						
	Front Panel (sheet metal only)	CR1S-FGY(XX)	2A7906-01	1	1	1	1	1						
	Front Panel (includes labels)	CF1S-XXX except -FGY(XX)	3A9047G01	1	1	1	1	1						
	Front Panel (sheet metal only)	CF1S-FGY	2A7906-01	1	1	1	1	1						
2	Control Module	CR1S-XXX except -FGE	SP-5209	1	1	1	-							
			4A5911G01				1	1						
		CR1S-FGE	4A5911G01			1	1	1						
		CR1S-FGY(XX)	4A5887G01	1	1	1	1	1						
		CF1S-XXX except -FGE	SP-5210	1	1	1	1	-						
			4A5912G01					1						
		CF1S-FGE	4A5912G01			1	1	1						
	CF1S-FGY	4A5501G01	1	1	1	1	1							
2a	Control Module Mounting Clip		4A5502-01	2	2	2	2	2						
3	Door Switch		3A1826-01	1	1	1	1	1						
4	Lock (includes item 4a)		4A4924-01	1	1	1	1	1						
4a	Key (includes 2 keys)		4A5453-01	1	1	1	1	1						
5	Light Switch	Glass Doors	4A0418-01		1	1	1	1						
6	Side Panel		2A7819-01	2	2	2	2	2						
7	Rear Duct Panel		2A7690-01	1	1	1	1	1						
8	Pilaster		3A0145-01	4	4	4	4	4						
9	Control Box Cover		2A6750-01	1	1	-								
			2A8029-01			1	1	1						
10	Horizontal Mullion	CR1S-HS/HSL	2A7850G01	1	1	1	1	1						
		CF1S-HS/HSL	2A7839G01	1	1	1	1	1						
11	Vinyl Hose	L=170 mm	7716-1519	1	1	1	1	1						
12	Spring		3A8781-01	1	1	1	1	1						
13	Drain Boot		4A4938-01	1	1	1	1	1						
14	Fluorescent Light Mount	C_1S-FGY	4A4346-01	2	2	2	2	2						
15	Fluorescent Light Bulb		4A4347-02	1	1	1	1	1						
16	Fluorescent Light Bulb Guard		4A4348-02	1	1	1	1	1						
17	Fluorescent Light Ballast		4A4350-01	1	1	1	1	1						
18	Incandescent Light Socket	C_1S-FS/FSL/ HS/HSL	4A4443-01	1	1	1	1	1						
19	Incandescent Light Bulb		4A4444-01	1	1	1	1	1						
20	LED Lens (wire sleeve)	C_1S-FGE	3A8999-01			2	2	2						
21	LED Driver		3A9866-01			1	1	1						
22	LED Double Harness		3A9017-01			1	1	1						
23	LED Lamp		3A8998-01			2	2	2						
24	LED Clip		4A5906-01			6	6	6						
25	LED Bracket		2A8041-01			1	1	1						
26	Evaporator Fan Shroud		3A8664G01	1	1	1	1	1						
27	Drain Tube Heater	CF1S-XXX	4A2975-07	1	1	1	1	1						
28	Evaporator Fan Guard		4A4860-01	1	1	1	1	1						
29	Pressure Relief Valve		4A5694-01	1	1	1	1	1						

A. Main Assembly
C_2S-FGE/FGY/FS/HS
 E-5 to H-5



Title: A. Main Assembly Model: C_2S-FGE/FGY/FS/HS

Index No.	Description	Material or Model Number	Part Number	Required Number								
				E-5 E-6	E-7 E-8	F-5 to F-6 (E)	F-6 (F) to F-7 (E)	F-7 (F) to H-5				
1	Front Panel (includes labels)	CR2S-XXX except -FGY(XX)	2A8074G01	1	1	1	1	1				
	Front Panel (sheet metal only)	CR2S-FGY	2A7907-01	1	1	1	1	1				
	Front Panel (includes labels)	CF2S-XXX except -FGY(XX)	2A8081G01	1	1	1	1	1				
	Front Panel (sheet metal only)	CF2S-FGY	2A7907-01	1	1	1	1	1				
2	Control Module	CR2S-XXX except -FGE	SP-5209	1	1	1	-					
			4A5911G01				1	1				
		CR2S-FGE	4A5911G01			1	1	1				
		CR2S-FGY	4A5887G01	1	1	1	1	1				
		CF2S-XXX except -FGE	SP-5210	1	1	1	1	-				
			4A5912G01					1				
		CF2S-FGE	4A5912G01			1	1	1				
	CF2S-FGY	4A5501G01	1	1	1	1	1					
2a	Control Module Mounting Clip		4A5502-01	2	2	2	2	2				
3	Door Switch		3A1826-01	2	2	2	2	2				
4	Lock (includes item 4a)		4A4924-01	2	2	2	2	2				
4a	Key (includes 2 keys)		4A5453-01	2	2	2	2	2				
5	Light Switch	Glass Doors	4A0418-01		1	1	1	1				
6	Side Panel		2A7819-01	2	2	2	2	2				
7	Rear Duct Panel		2A7690-01	2	2	2	2	2				
8	Rear Pilaster		2A7867-01	2	2	2	2	2				
9	Pilaster		3A0145-01	6	6	6	6	6				
10	Control Box Cover	CR2S-XXX	2A6750-01	1	1	-						
		CF2S-XXX	2A6751-01	1	1	-						
		All	2A8029-01			1	1	1				
11	Cross Mullion	CR2S-HS	2A7899G01	1	1	1	1	1				
		CF2S-HS	2A7851G01	1	1	1	1	1				
12	Vertical Mullion	CR2S-FS/FGY	2A7823G01	1	1	1	1	1				
		CR2S-FGE	2A8072G01			1	1	1				
		CF2S-FS/FGY	2A7788G01	1	1	1	1	1				
		CF2S-FGE	2A8082G01			1	1	1				
13	Vinyl Hose	L=170 mm	7716-1519	1	1	1	1	1				
14	Spring		3A8781-01	1	1	1	1	1				
15	Drain Boot		4A4938-01	1	1	1	1	1				
16	Fluorescent Light Mount	C_2S-FGY	4A4346-01	4	4	4	4	4				
17	Fluorescent Light Bulb		4A4347-02	2	2	2	2	2				
18	Fluorescent Light Bulb Guard		4A4348-02	2	2	2	2	2				
19	Fluorescent Light Ballast		4A4350-01	1	1	1	1	1				
20	Incandescent Light Socket	C_2S-FS/HS	4A4443-01	2	2	2	2	2				
21	Incandescent Light Bulb		4A4444-01	2	2	2	2	2				

Title: A. Main Assembly Model: C_2S-FGE/FGY/FS/HS

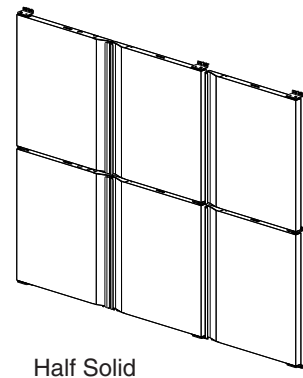
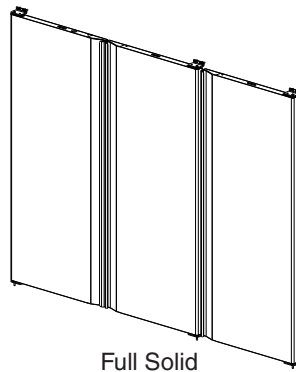
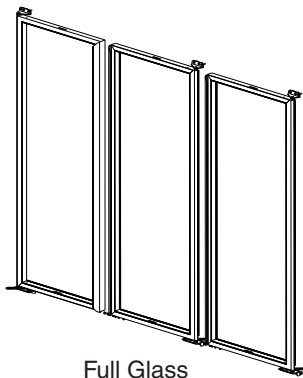
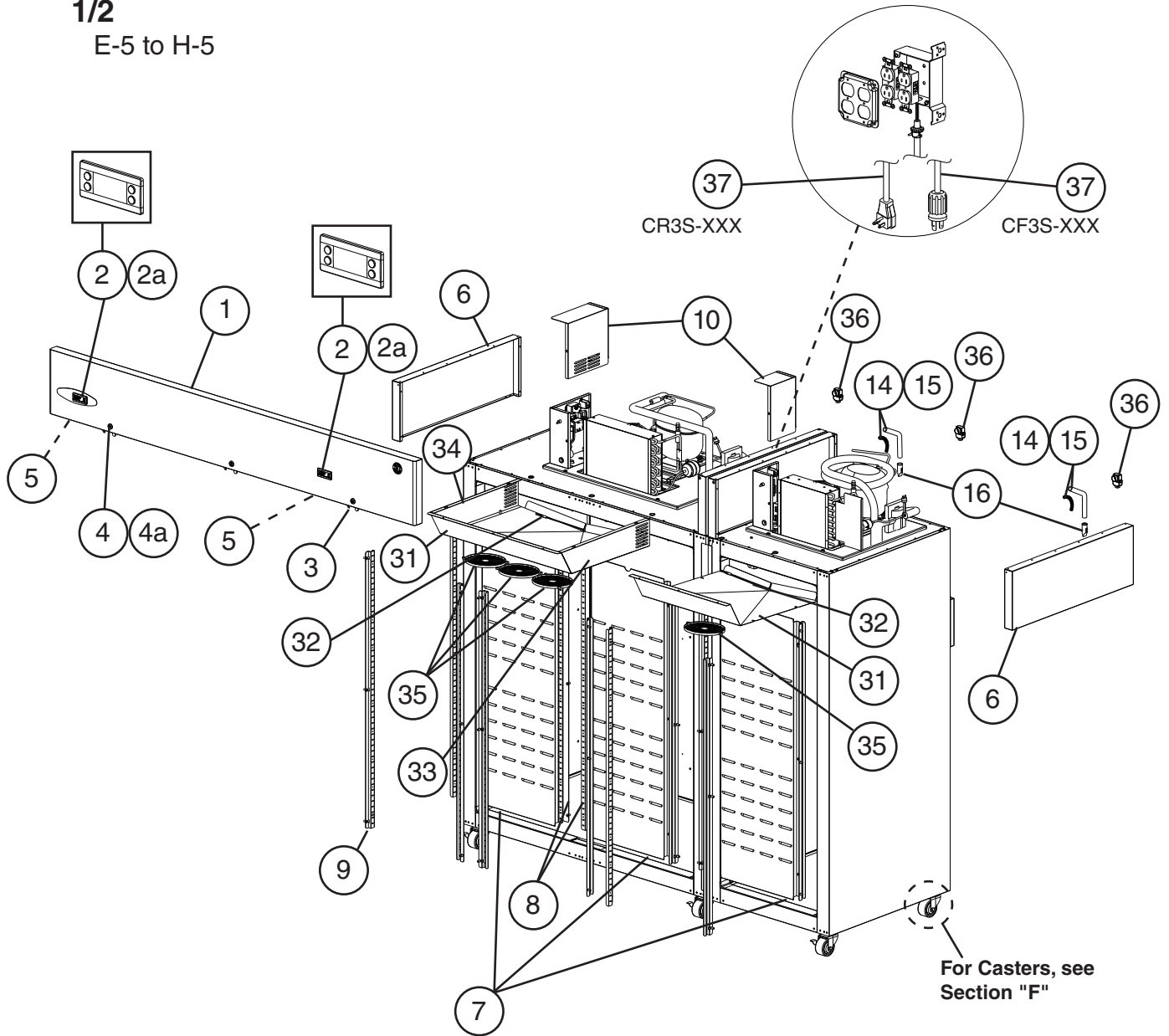
Index No.	Description	Material or Model Number	Part Number	Required Number								
				E-5 E-6	E-7 E-8	F-5 to F-6 (E)	F-6 (F) to F-7 (E)	F-7 (F) to H-5				
22	LED Lens (wire sleeve)	C_2S-FGE	3A8999-01			3	3	3				
23	LED Driver		3A9866-01			1	1	1				
24	Double LED Harness		3A9017-01			1	1	1				
25	Single LED Harness		3A9016-01			1	1	1				
26	LED Lamp		3A8998-01			3	3	3				
27	LED Clip		4A5906-01			9	9	9				
28	LED Bracket		2A8042-01			1	1	1				
29	Evaporator Fan Shroud			3A6212G01	1	1	1	1	1			
30	Drain Tube Heater	CF2S-XXX	4A2975-07	1	1	1	1	1				
31	Right Side Evaporator Fan Shroud		3A6629G01	1	1	1	1	1				
32	Left Side Evaporator Fan Shroud		3A6638G01	1	1	1	1	1				
33	Evaporator Fan Guard		4A4860-01	3	3	3	3	3				
34	Pressure Relief Valve		4A5694-01	2	2	2	1	1				

A. Main Assembly

C_3S-FGE/FGY/FGYCL/FGYCR/FS/FSCL/FSCR/HS

1/2

E-5 to H-5



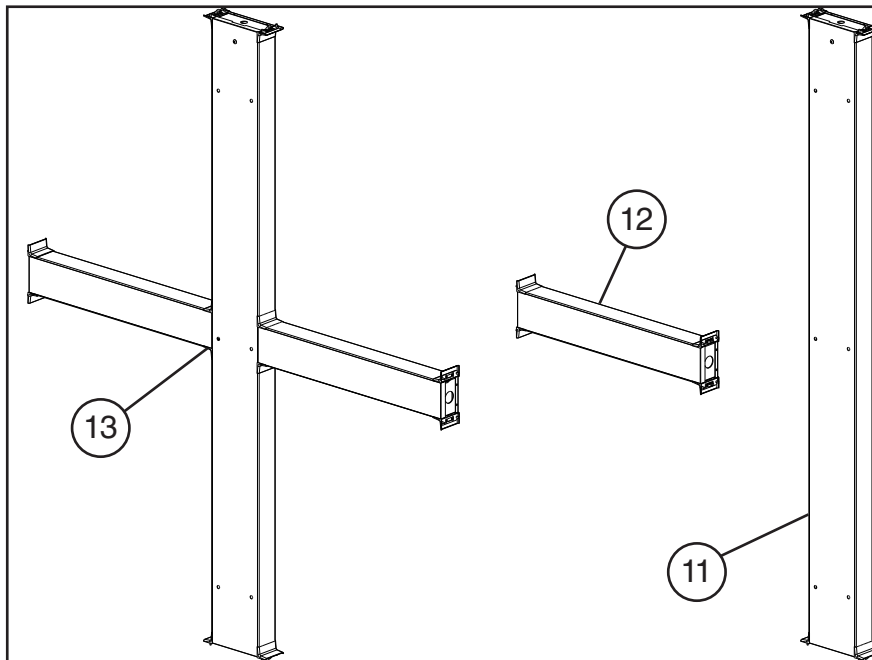
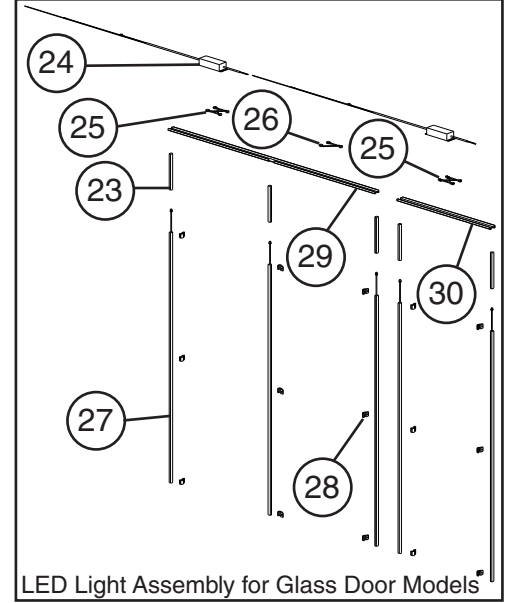
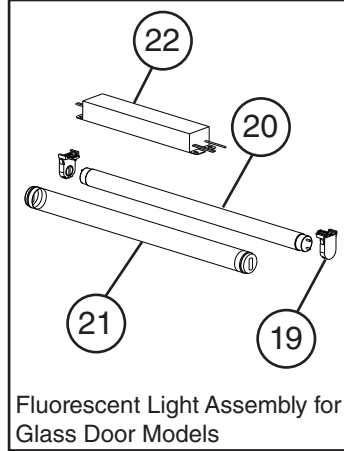
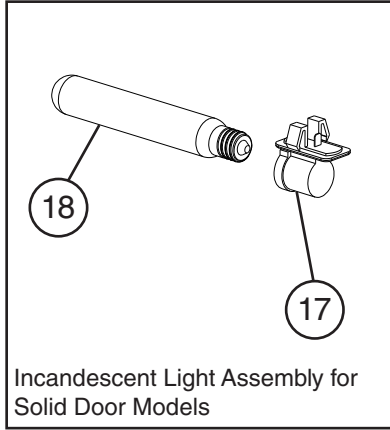
For Doors, see Sections "D" and "E"

A. Main Assembly

C_3S-FGE/FGY/FGYCL/FGYCR/FS/FSCL/FSCR/HS

2/2

E-5 to H-5



Title: A. Main Assembly Model: C_3S-FGE/FGY/FGYCL/FGYCR/FS/FSCL/FSCR/HS

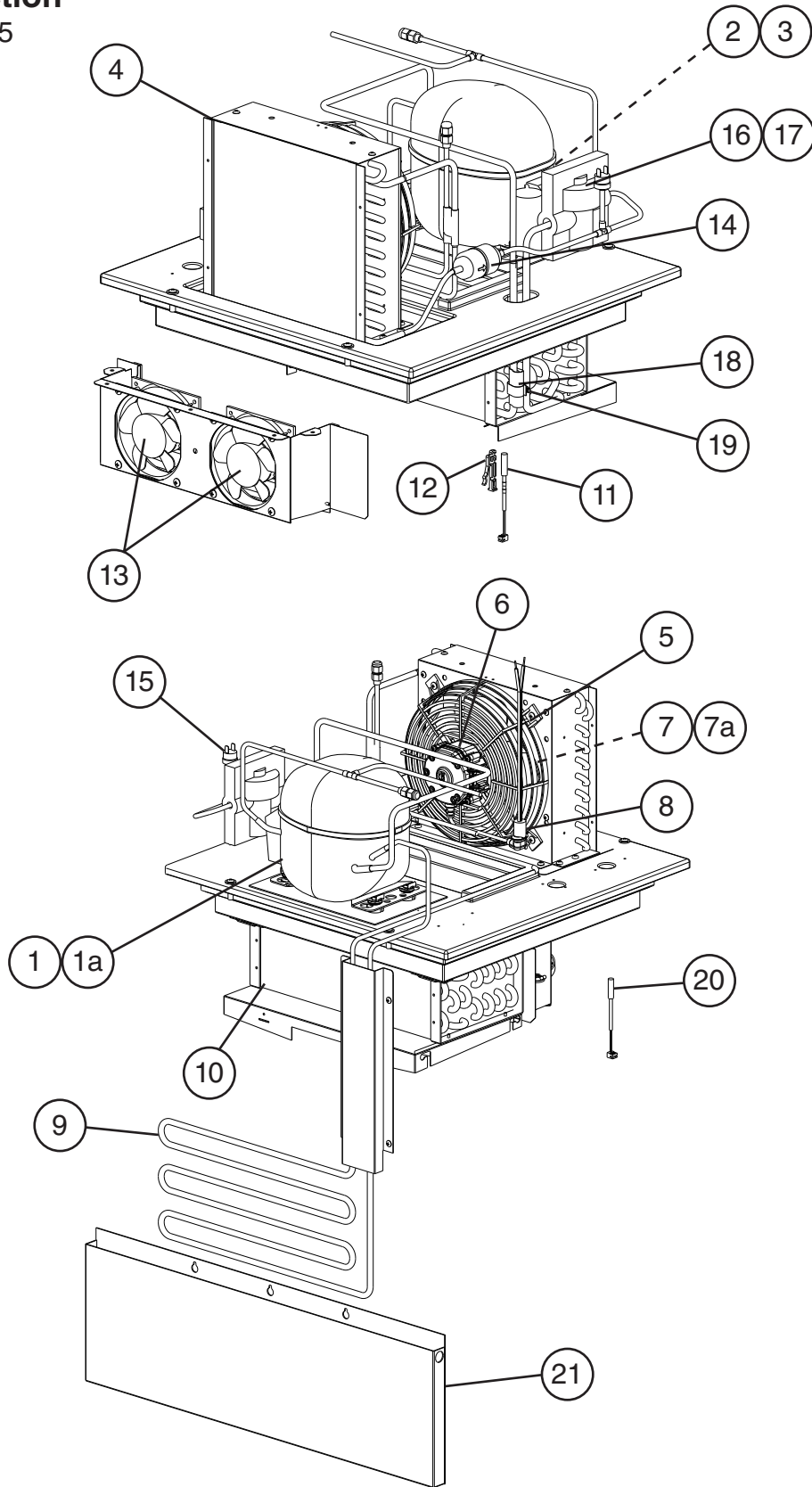
Index No.	Description	Material or Model Number	Part Number	Required Number															
				E-5 to E-8	F-5 to F-6	F-7 to H-5													
1	Front Panel (includes labels)	CR3S-XXX	3A9050G01	1	1	1													
	Front Panel (sheet metal only)	CR3S-FGY(XX)	3A7908-01	1	1	1													
	Front Panel (includes labels)	CF3S-XXX	3A9068G01	1	1	1													
2	Control Module	CR3S-XXX except -FGE	SP-5209	2	2	-													
			4A5911G01			2													
		CR3S-FGE	4A5911G01			2	2												
		CR3S-FGY	4A5887G01	1	1	1													
		CF3S-XXX	SP-5210	2	2	-													
			4A5912G01			2													
2a	Control Module Mounting Clip		4A5502-01	4	4	4													
3	Door Switch		3A1826-01	3	3	3													
4	Lock (includes item 4a)		4A4924-01	3	3	3													
4a	Key (includes 2 keys)		4A5453-01	3	3	3													
5	Light Switch	Glass Doors	4A0418-01	2	2	2													
6	Side Panel		2A7819-01	4	4	4													
7	Rear Duct Panel		2A7690-01	3	3	3													
8	Rear Pilaster		2A7867-01	2	2	2													
9	Pilaster	One Section	3A0145-01	4	4	4													
		Two Section	3A0145-01	6	6	6													
10	Control Box Cover	One Section	2A6750-01	1	-														
		Two Section	2A6751-01	1	-														
			2A8029-01			2	2												
11	Vertical Mullion	CR3S-FS/FGY/FGYCL/FGYCR	2A7823G01	1	1	1													
		CR3S-FGE	2A8072G01			1	1												
		CF3S-FS	2A7788G01	1	1	1													
12	Horizontal Mullion	CR3S-HS	2A7850G01	1	1	1													
		CF3S-HS	2A7839G01	1	1	1													
13	Cross Mullion	CR3S-HS	2A7899G01	1	1	1													
		CF3S-HS	2A7841G01	1	1	1													
14	Vinyl Hose	L=170 mm	7716-1519	2	2	2													
15	Spring		3A8781-01	2	2	2													
16	Drain Boot		4A4938-01	2	2	2													
17	Incandescent Light Socket	C_3S-XXX	4A4443-01	3	3	3													
18	Incandescent Light Bulb		4A4444-01	3	3	3													
19	Fluorescent Light Mount	C_3S-FGY	4A4346-01	6	6	-													
20	Fluorescent Light Bulb		4A4347-02	3	3	-													
21	Fluorescent Light Bulb Guard		4A4348-02	3	3	-													
22	Fluorescent Light Ballast		4A4350-01	2	2	-													
23	LED Lens (wire sleeve)	C_3S-FGE	3A8999-01		5	5													
24	LED Driver		3A9866-01		2	2													
25	Double LED Harness		3A9017-01		2	2													
26	Single LED Harness		3A9016-01		1	1													
27	LED Lamp		3A8998-01		5	5													
28	LED Clip		4A5906-01		15	15													
29	LED Bracket		2A8042-01		1	1													
30	LED Bracket		2A8041-01		1	1													

Title: A. Main Assembly Model: C_3S-FGE/FGY/FGYCL/FGYCR/FS/FSCL/FSCR/HS											
Index No.	Description	Material or Model Number	Part Number	Required Number							
				E-5 to E-8	F-5 to F-6	F-7 to H-5					
31	Evaporator Fan Shroud	One Section	3A8664G01	1	1	1					
		Two Section	3A6212G01	1	1	1					
32	Drain Tube Heater	CF3S-XXX	4A2975-07	2	2	2					
33	Right Side Evaporator Fan Shroud	Two Section	3A6629G01	1	1	1					
34	Left Side Evaporator Fan Shroud		3A6638G01	1	1	1					
35	Evaporator Fan Guard		4A4860-01	4	4	4					
36	Pressure Relief Valve		4A5694-01	3	2	2					
37	Power Junction Cord	CR3S-XXX	4A5379-01	1	1	1					
		CF3S-XXX	4A5318-01	1	1	1					

B. Refrigeration Circuit

CR1S-FGE/FGECL/FGECL/FGECL/FGY/FGYCL/FGYCR/FS/FSL/HS/HSL,
CR3S-FGE/FGECL/FGECL/FGECL/FGY/FGYCL/FGYCR/FS/FSCL/FSCR/HS
One Section

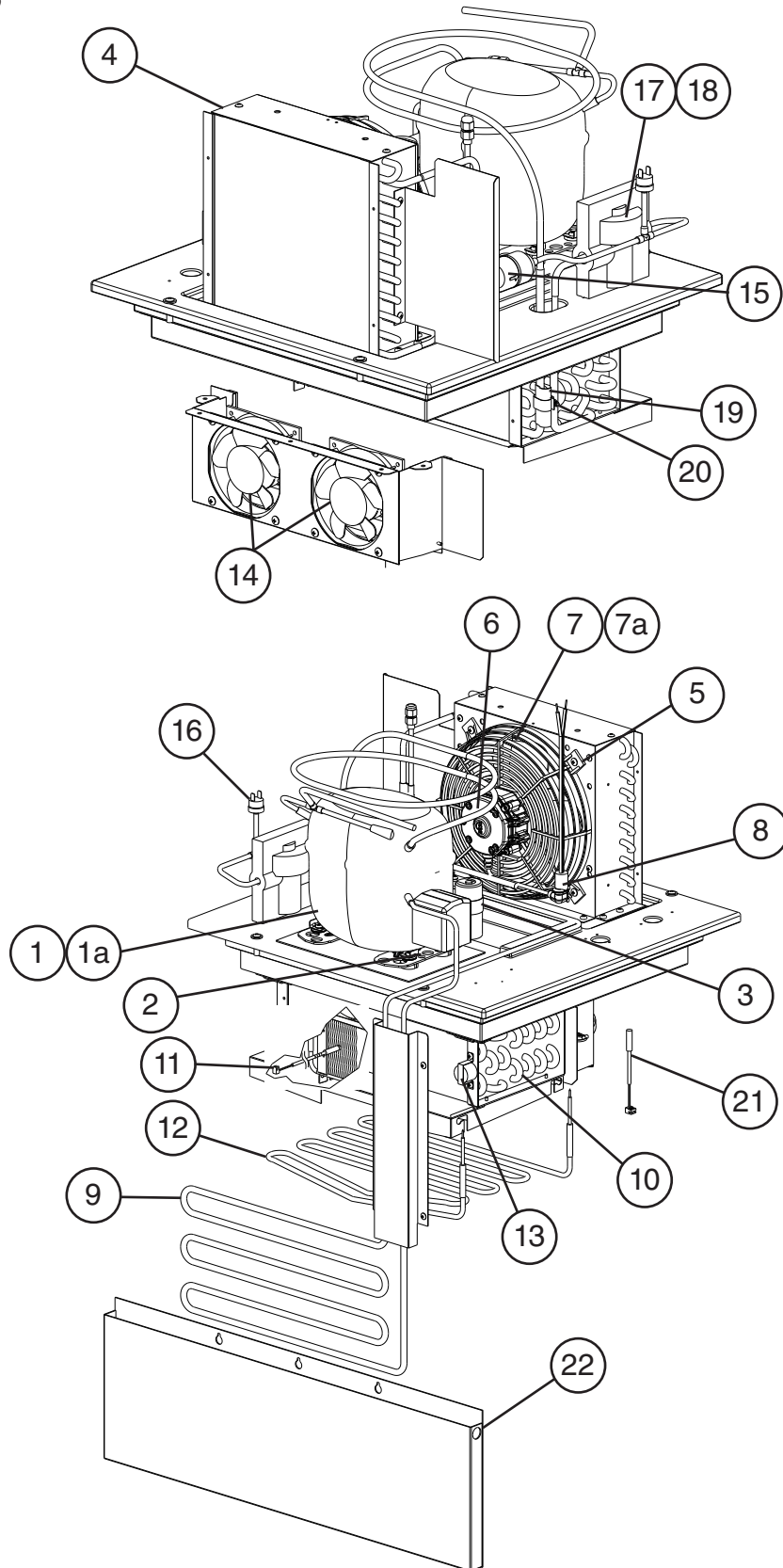
E-5 to H-5



**Title: B. Refrigeration Circuit Model: CR1S-FGE/FGCECL/FGECR/FGY/FGYCL/FGYCR/FS/FSL/HS/HSL,
CR3S-FGE/FGCECL/FGECR/FGY/FGYCL/FGYCR/FS/FSCL/FSCR/HS
One Section**

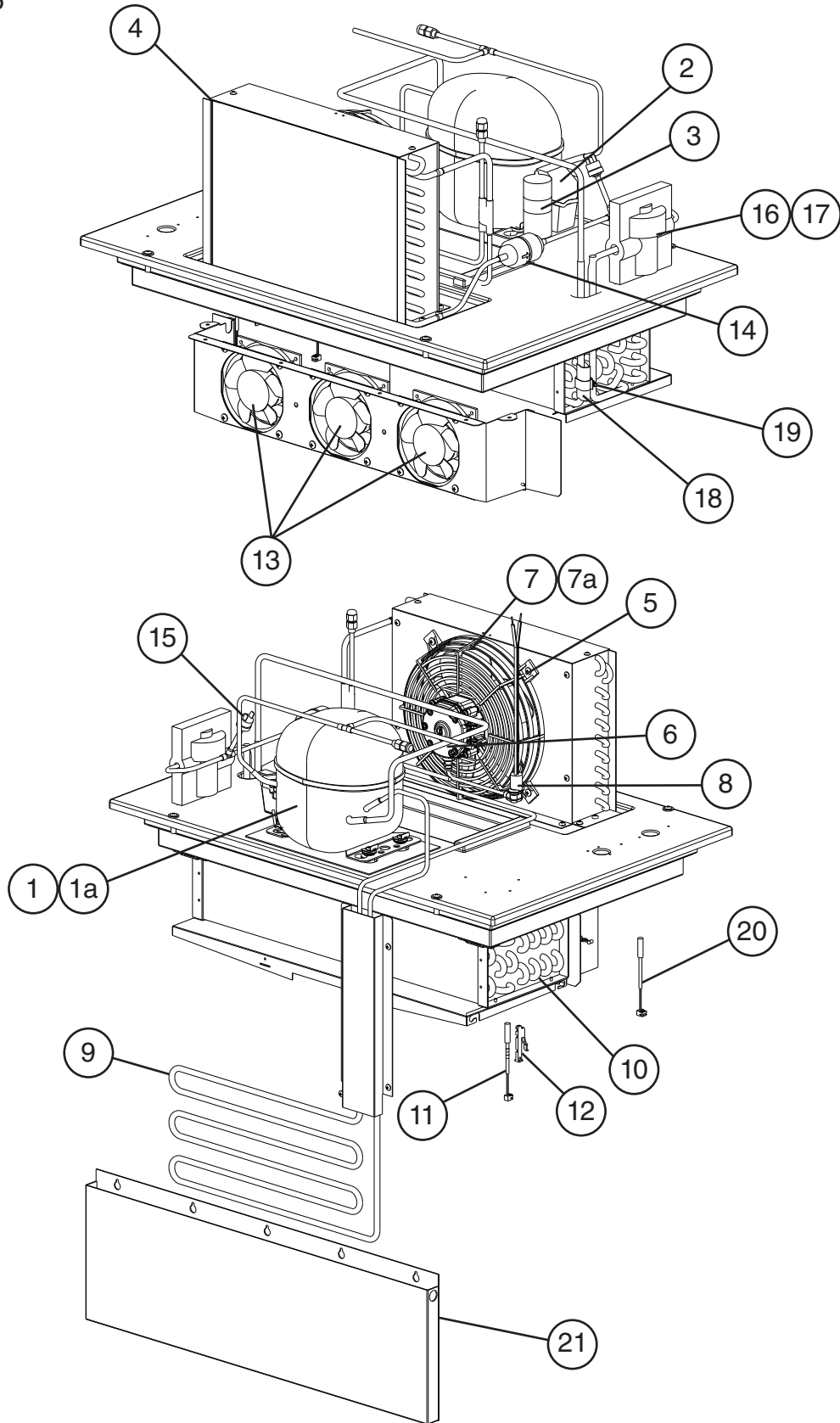
Index No.	Description	Material or Model Number	Part Number	Required Number									
				E-5 to H-5									
1	Compressor		4A3177-01	1									
1a	Compressor Mount Insert		4A4875-01	4									
2	Start Relay		4A2135-03	1									
3	Start Capacitor	280MFD, 165VAC	4A2134-01	1									
4	Condenser		2A6415-01	1									
5	Condenser Fan Guard		2A5187-01	1									
6	Condenser Fan Motor		4A5498-01	1									
7	Condenser Fan Blade		3A5817-01	1									
7a	Self Locking Nut	8-32	7N2110832	4									
8	Harness Plug		4A5497-01	1									
9	Condensate Loop		3A9251-01	1									
10	Evaporator		2A7531-01	1									
11	Defrost Thermistor		4A4865-02	1									
12	Thermistor Clip		4A3248G01	1									
13	Evaporator Fan Motor		4A5343-01	2									
14	Drier		4A1113-01	1									
15	High-Pressure Switch		4A2516-01	1									
16	Thermostatic Expansion Valve		4A4597-01	1									
17	Thermostatic Expansion Valve Cover		4A4646-01	1									
18	Thermostatic Expansion Valve Bulb Holder		3A0107-01	1									
19	Clamp		443461-01	1									
20	Cabinet Thermistor		4A4864-01	1									
21	Condensate Pan	-FGE, -FGCECL, -FGECR, -FGY, -FGYCL, -FGYCR, -FS, -FSL, -FSCL, -FSCR, -HS, -HSL	2A8228-01	1									
		CR3S-FGY(XX)	2A7848-01	1									

B. Refrigeration Circuit
CF1S-FGE/FGY/FS/FSL/HS/HSL
CF3S-FS/HS One Section
 E-5 to H-5



Title: B. Refrigeration Circuit Model: CF1S-FGE/FGY/FS/FSL/HS/HSL, CF3S-FS/HS One Section												
Index No.	Description	Material or Model Number	Part Number	E-5 to H-5	Required Number							
1	Compressor		4A3808-01	1								
1a	Compressor Mount Insert		4A4875-01	4								
2	Start Relay		4A3113-01	1								
3	Start Capacitor	240MFD, 165VAC	4A2134-03	1								
4	Condenser		2A6415-01	1								
5	Condenser Fan Guard		2A5187-01	1								
6	Condenser Fan Motor		4A5498-01	1								
7	Condenser Fan Blade		3A5817-01	1								
7a	Self Locking Nut	8-32	7N2110832	4								
8	Harness Plug		4A5497-01	1								
9	Condensate Loop		3A9251-01	1								
10	Evaporator		2A7531-01	1								
11	Defrost Thermistor		4A4865-02	1								
12	Defrost Heater		2A7575-01	1								
13	Defrost Thermostat		4A0954-02	1								
14	Evaporator Fan Motor		4A5343-01	2								
15	Drier		4A1113-01	1								
16	High-Pressure Switch		4A2516-02	1								
17	Thermostatic Expansion Valve		4A5344-01	1								
18	Thermostatic Expansion Valve Cover		4A4646-01	1								
19	Thermostatic Expansion Valve Bulb Holder		3A0107-01	1								
20	Clamp		443461-01	1								
21	Cabinet Thermistor		4A4864-01	1								
22	Condensate Pan	All except -FGY	2A8228-01	1								
		-FGY	2A7848-01	1								

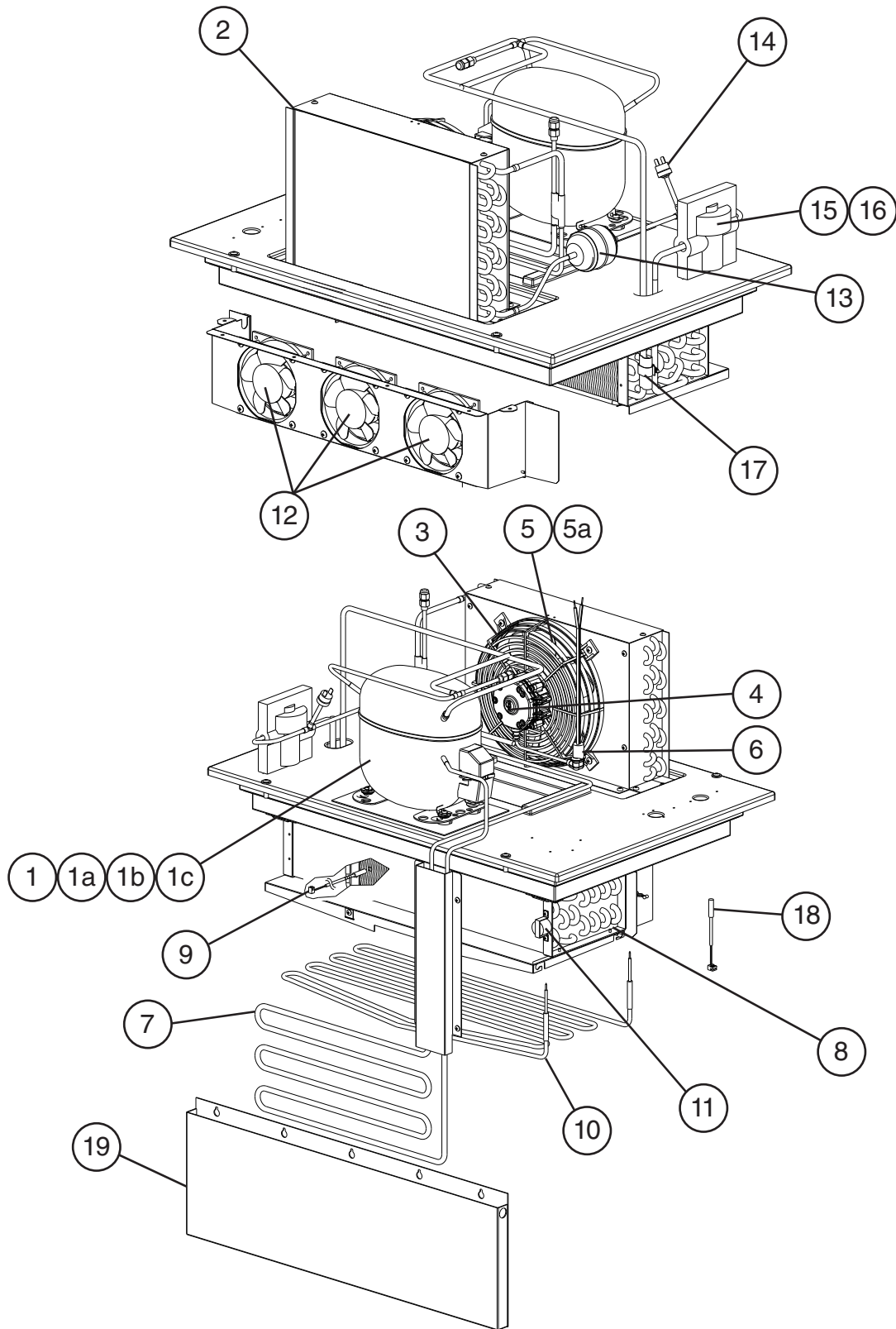
B. Refrigeration Circuit
CR2S-FGE/FGY/FS/HS,
CR3S-FGE/FGY/FGYCL/FGYCR/FS/FSCS/FSCR/HS Two Section
 E-5 to H-5



**Title: B. Refrigeration Circuit Model: CR2S-FGE/FGY/FS/HS,
CR3S-FGE/FGY/FGYCL/FGYCR/FS/FSCL/FSCR/HS Two Section**

Index No.	Description	Material or Model Number	Part Number	E-5 to H-5	Required Number									
1	Compressor		4A3958-01	1										
1a	Compressor Mount Insert		4A4875-01	4										
2	Start Relay		4A2135-04	1										
3	Start Capacitor	280MFD, 165VAC	4A2134-01	1										
4	Condenser		2A5862-01	1										
5	Condenser Fan Guard		2A5187-01	1										
6	Condenser Fan Motor		4A5498-01	1										
7	Condenser Fan Blade		3A5817-01	1										
7a	Self Locking Nut	8-32	7N2110832	4										
8	Harness Plug		4A5497-01	1										
9	Condensate Loop		3A9251-01	1										
10	Evaporator		2A7532-01	1										
11	Defrost Thermistor		4A4865-02	1										
12	Thermistor Clip		4A3248G01	1										
13	Evaporator Fan		4A5343-01	3										
14	Drier		4A1113-01	1										
15	High-Pressure Switch		4A2516-01	1										
16	Thermostatic Expansion Valve		4A4598-01	1										
17	Thermostatic Expansion Valve Cover		4A4646-01	1										
18	Thermostatic Expansion Valve Bulb Holder		3A0107-01	1										
19	Clamp		443461-01	1										
20	Cabinet Thermistor		4A4864-01	1										
21	Condensate Pan	All except -FGY	2A8228-02	1										
		-FGY(XX)	2A7869-01	1										

B. Refrigeration Circuit
CF2S-FGE/FGY/FS/HS,
CF3S-FS/HS Two Section
 E-5 to H-5



Title: B. Refrigeration Circuit Model: CF2S-FGE/FGY/FS/HS, CF3S-FS/HS Two Section

Index No.	Description	Material or Model Number	Part Number	Required Number																
				E-5 to H-5																
1	Compressor		4A3815-01	1																
1a	Protector		4A3679-01	1																
1b	Protector Holder		4A3680-01	1																
1c	Compressor Mount Insert		4A4875-01	4																
2	Condenser		2A5902-01	1																
3	Condenser Fan Guard		2A5187-01	1																
4	Condenser Fan Motor		4A5498-01	1																
5	Condenser Fan Blade		3A5817-01	1																
5a	Self Locking Nut	8-32	7N2110832	4																
6	Harness Plug		4A5497-01	1																
7	Condensate Loop		3A9251-01	1																
8	Evaporator		2A7532-01	1																
9	Defrost Thermistor		4A4865-02	1																
10	Defrost Heater		2A7585-01	1																
11	Defrost Thermostat		4A0954-02	1																
12	Evaporator Fan		4A5343-01	3																
13	Drier		4A1113-01	1																
14	High-Pressure Switch		4A2516-02	1																
15	Thermostatic Expansion Valve		4A5161-01	1																
16	Thermostatic Expansion Valve Cover		4A4646-01	1																
17	Thermostatic Expansion Valve Bulb Holder		3A0107-01	1																
18	Cabinet Thermistor		4A4864-01	1																
19	Condensate Pan		2A8228-02	1																

C. Control Box Assembly

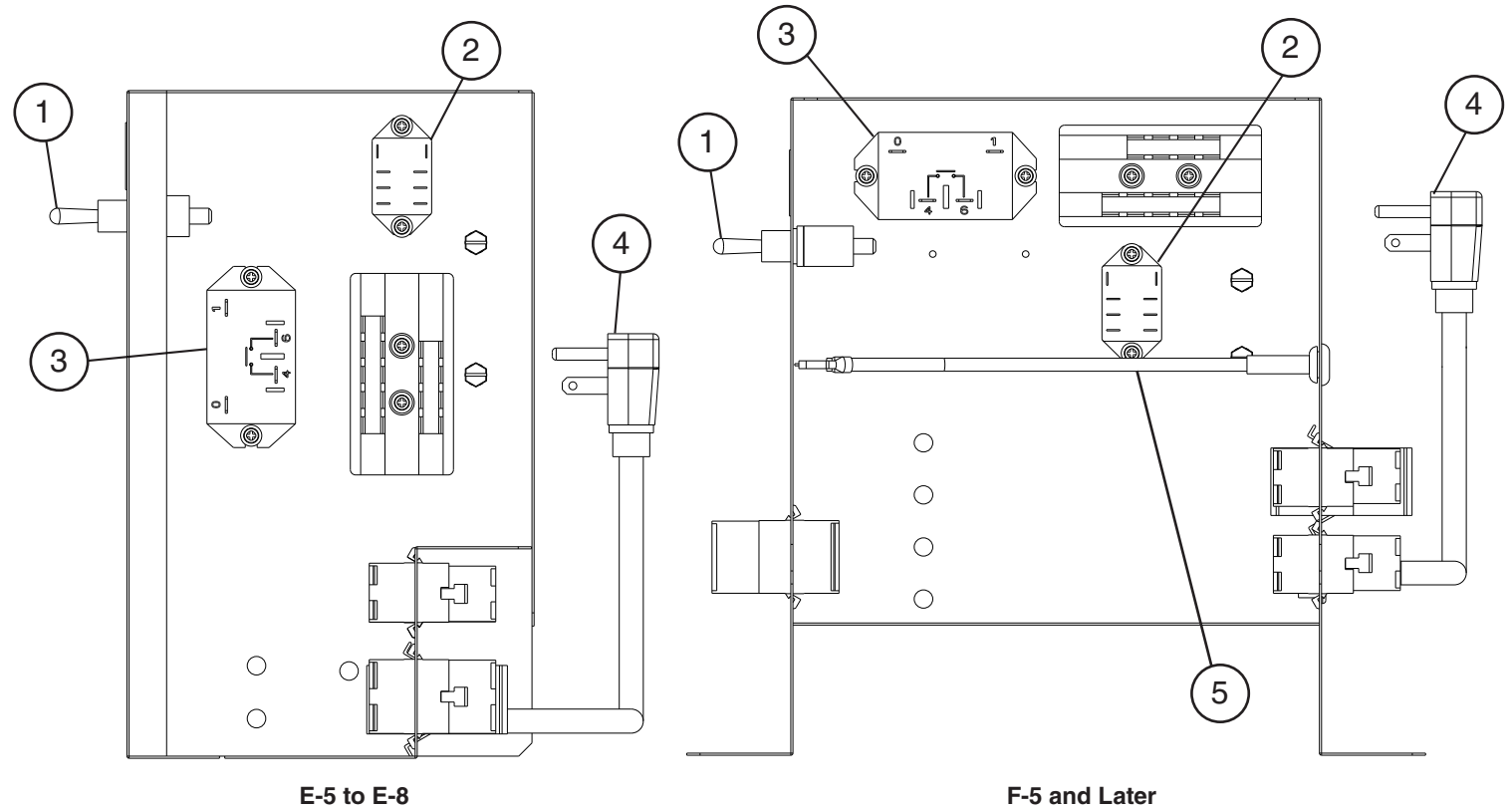
C_1S-FGE/FGY/FGYCL/FGYCR/FS/FSL/HS/HSL,

CR2S-FGE/FGY/FS/HS,

CR3S-FGE/FGY/FGYCL/FGYCR/FS/FSCCL/FSCR/HS One & Two Section,

CF3S-FS/HS One Section

E-5 to H-5

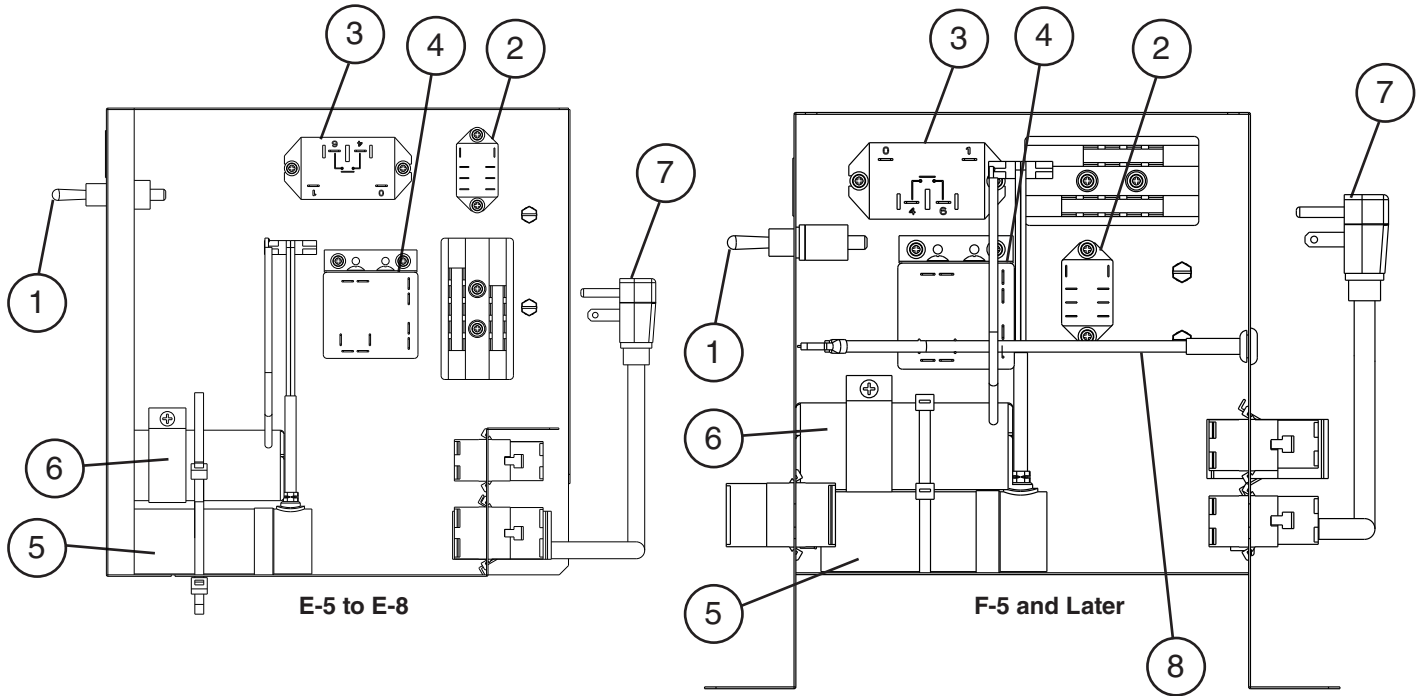


E-5 to E-8

F-5 and Later

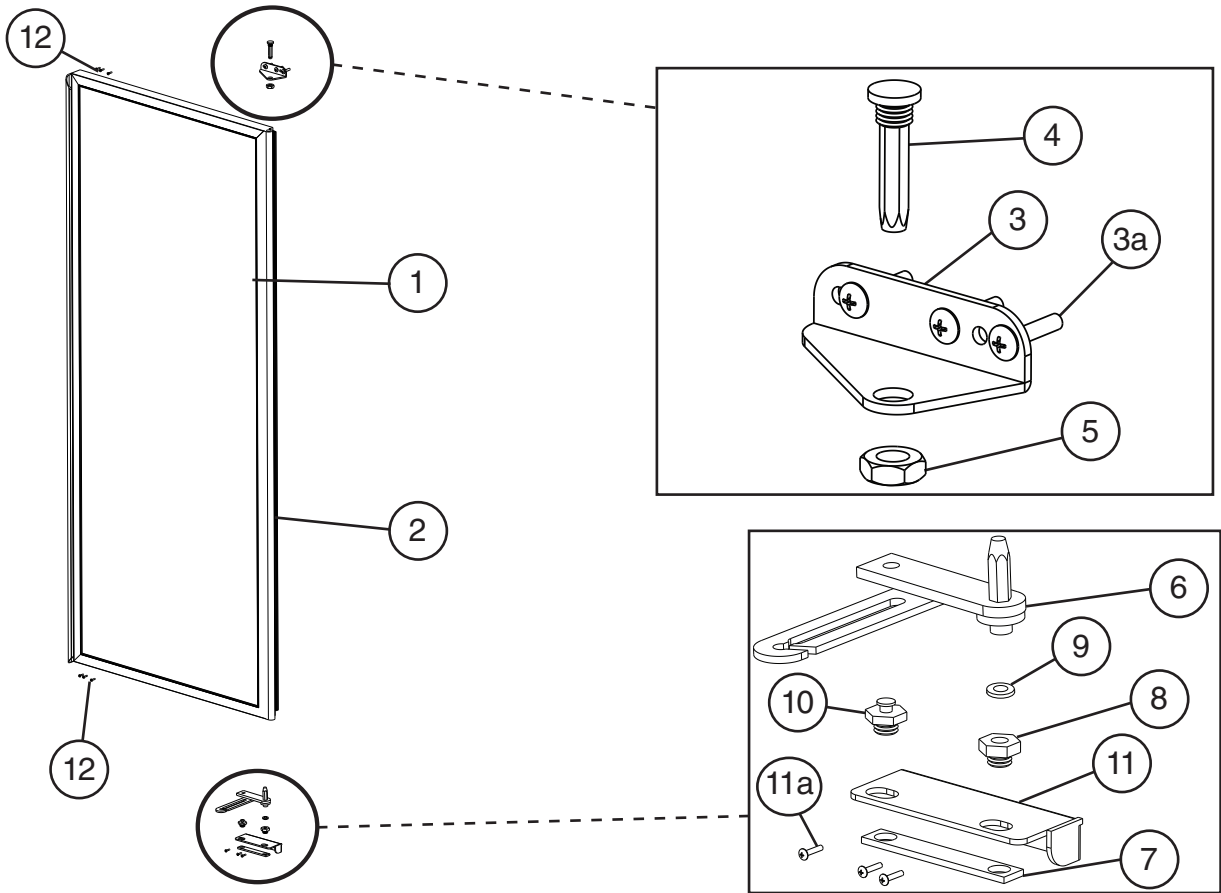
Title: C. Control Box Assembly Model: C_1S-FGE/FGY/FGYCL/FGYCR/FS/FSL/HS/HSL, CR2S-FGE/FGY/FS/HS, CR3S-FGE/FGY/FGYCL/FGYCR/FS/FSCCL/FSCR/HS One & Two Section, CF3S-FS/HS One Section					Required Number							
Index No.	Description	Material or Model Number	Part Number	E-5 to G-6	G-8 to H-5							
1	Toggle Switch (power)		4A0424-01	1	1							
2	Door Switch Relay	10A, 120VAC	406132-07	1	1							
3	Compressor Relay	120VAC	4A3140-01	1	1							
4	Power Supply Cord		4A0520-01	1	1							
5	Wire Harness		4A6030-01		1							

C. Control Box Assembly
CF2S-FGY/FS/HS,
CF3S-FS/HS Two Section
 E-5 to H-5



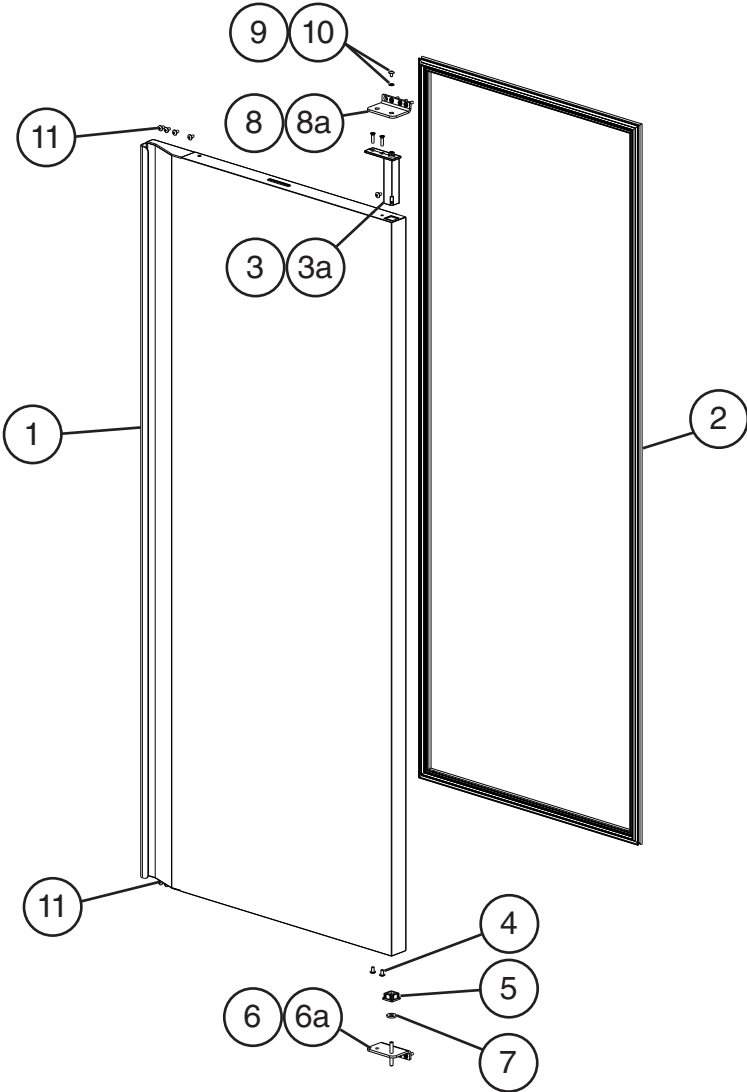
Title: C. Control Box Assembly		Model: CF2S-FGY/FS/HS, CF3S-FS/HS Two Section		Required Number											
Index No.	Description	Material or Model Number	Part Number	E-5 to F-8	G-8 to H-5										
1	Power Switch		4A0424-01	1	1										
2	Door Switch Relay		406132-07	1	1										
3	Compressor Relay	120VAC	4A3140-01	1	1										
4	Start Relay		4A3683-01	1	1										
5	Run Capacitor	23.5MFD, 280VAC	4A4208-01	1	1										
6	Start Capacitor	410MFD, 165VAC	4A2134-02	1	1										
7	Power Supply Cord		4A0520-01	1	1										
8	Wire Harness		4A6030-01		1										

D. Door-Right Hinged Full Glass E-5 to H-5



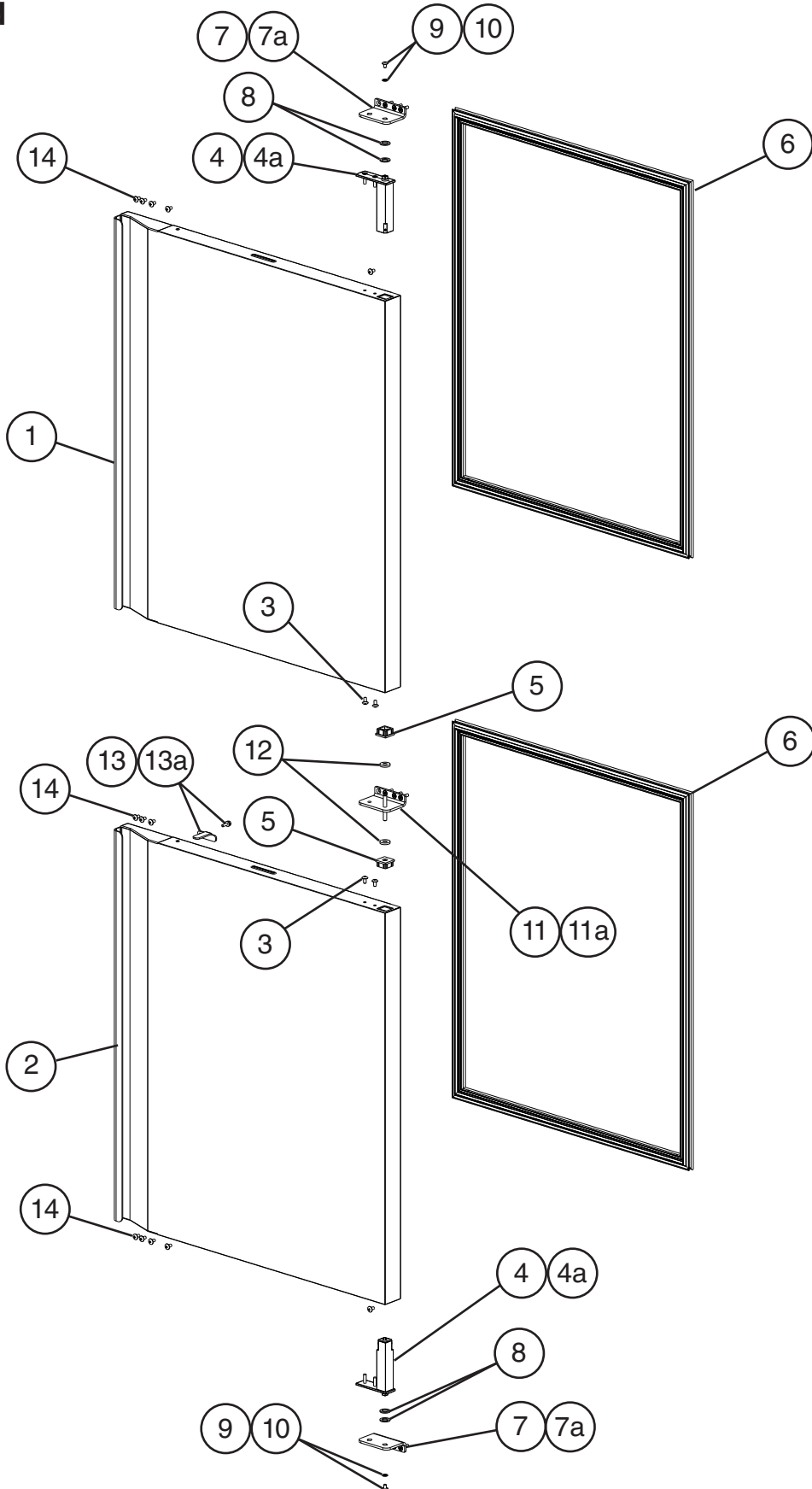
Title: D. Door-Right Hinged Model: Full Glass					Required Number												
Index No.	Description	Material or Model Number	Part Number	E-5 to H-5													
1	Right Glass Door	CR_S-FGE	2A7834-03	1													
		CR_S-FGY															
		CF_S-FGE	2A7834-04	1													
		CF_S-FGY															
2	Door Gasket		3A8864-01	1													
3	Upper Hinge Bracket		3A8808-02	1													
3a	Truss Head Screw	5x25, SS	7C32-0525	3													
4	Hinge Pin (tension rod)		3A7946-04	1													
5	Lock Nut		3A7946-05	1													
6	Lower Hinge		3A7946-01	1													
7	Backer Plate		3A7946-08	1													
8	Lower Hinge Bushing		3A7946-09	1													
9	Nylon Washer		3A7946-10	1													
10	Slide Pin		3A7946-11	1													
11	Lower Hinge Bracket		3A8807-01	1													
11a	Truss Head Screw	5x25, SS	7C32-0525	3													
12	Truss Head Screw (filler screws)	5x10, SS	7C32-0510	10													

D. Door-Right Hinged
Full Solid
 E-5 to H-5



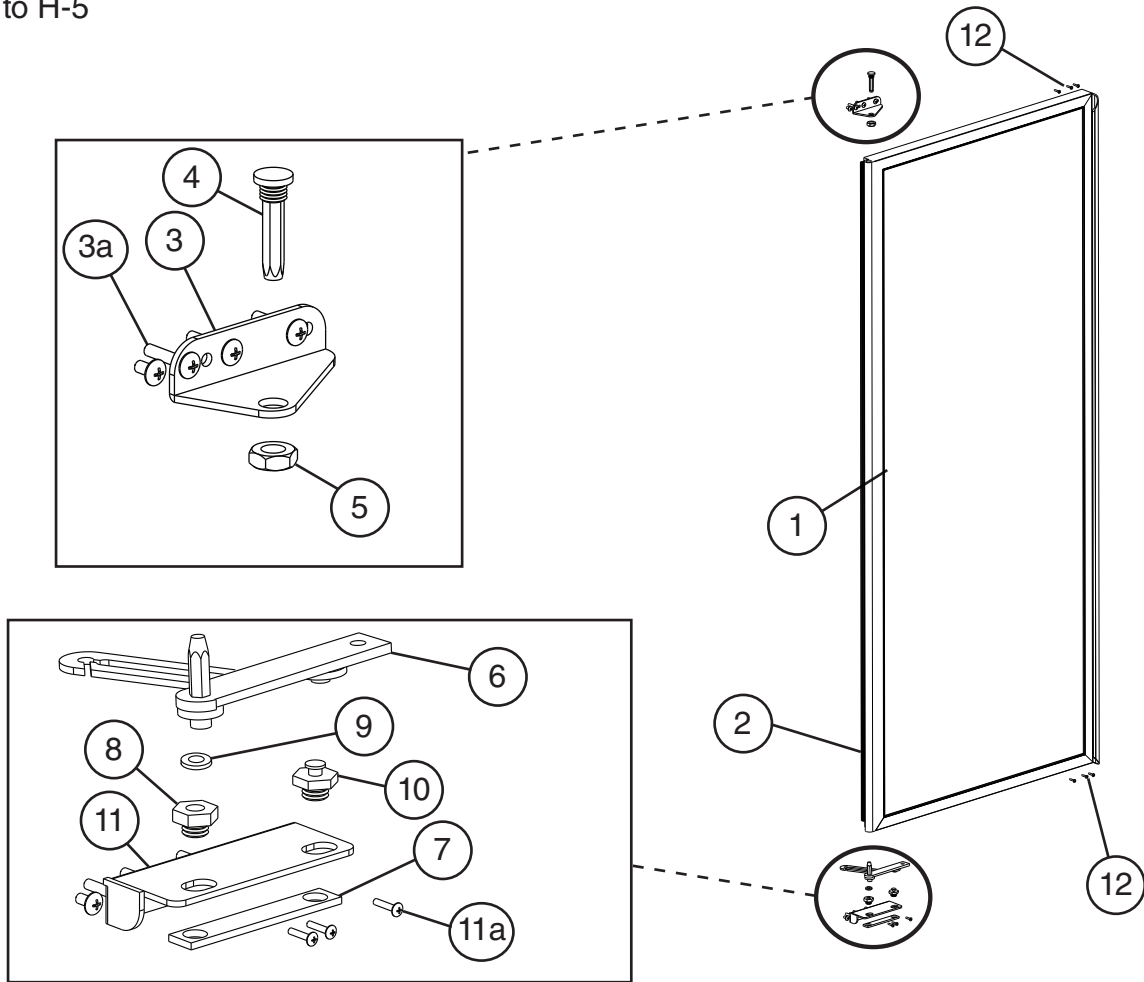
Title: D. Door-Right Hinged Model: Full Solid															
Index No.	Description	Material or Model Number	Part Number	Required Number											
				E-5 to H-5											
1	Right Door Assembly (includes items 2 through 5)		2A7814G01	1											
2	Door Gasket		2A5192-07	1											
3	Hinge Cartridge		3A9206-01	1											
3a	Countersunk Screw	5x20, SS	7C42-0520	2											
4	Truss Head Screw	5x10, SS	7C32-0510	2											
5	Bearing		4A5232-01	1											
6	Lower Hinge Bracket		3A6250G02	1											
6a	Countersunk Screw	5x20, SS	7C42-0520	3											
7	Thrust Washer		4A5234-01	1											
8	Upper Hinge Bracket		3A6249-01	1											
8a	Countersunk Screw	5x20, SS	7C42-0520	3											
9	Lock Washer		4A5231-01	1											
10	Screw		4A5230-01	1											
11	Truss Head Screw (filler screw)	5x10, SS	7C32-0510	10											

D. Door-Right Hinged
Half Solid
 E-5 to H-5



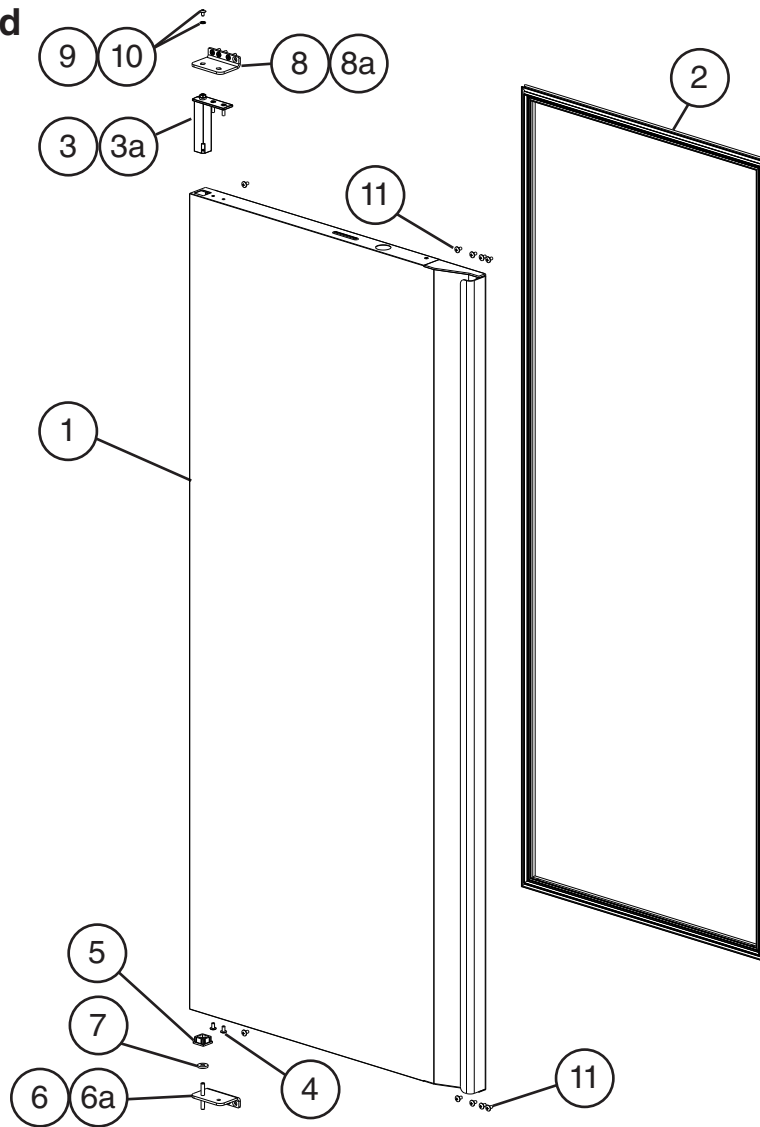
Title: D. Door-Right Hinged Model: Half Solid											
Index No.	Description	Material or Model Number	Part Number	Required Number							
				E-5 to H-5							
1	Upper Right/Lower Left Door Assembly (includes half the quantity of items 3 through 6)		2A7837G01	1							
2	Lower Right/Upper Left Door Assembly (includes half the quantity of items 3 through 6)		2A7838G01	1							
3	Truss Head Screw	5x10, SS	7C32-0510	4							
4	Hinge Cartridge		3A9206-01	2							
4a	Countersunk Screw	5x20, SS	7C42-0520	4							
5	Bearing		4A5232-01	2							
6	Door Gasket		2A5192-22	2							
7	Upper/Lower Hinge Bracket		3A6249-01	2							
7a	Countersunk Screw	5x20, SS	7C42-0520	6							
8	Thrust Washer		4A5233-01	4							
9	Lock Washer		4A5231-01	2							
10	Screw		4A5230-01	2							
11	Middle Hinge Bracket		3A6250G01	1							
11a	Countersunk Screw	5x20, SS	7C42-0520	3							
12	Thrust Washer		4A5234-01	2							
13	Half-Door Lock		4A5249-01	1							
13a	Bolt		449879-08	1							
14	Truss Head Screw (filler screws)	5x10, SS	7C32-0510	13							

E. Door-Left Hinged
Full Glass
 E-5 to H-5



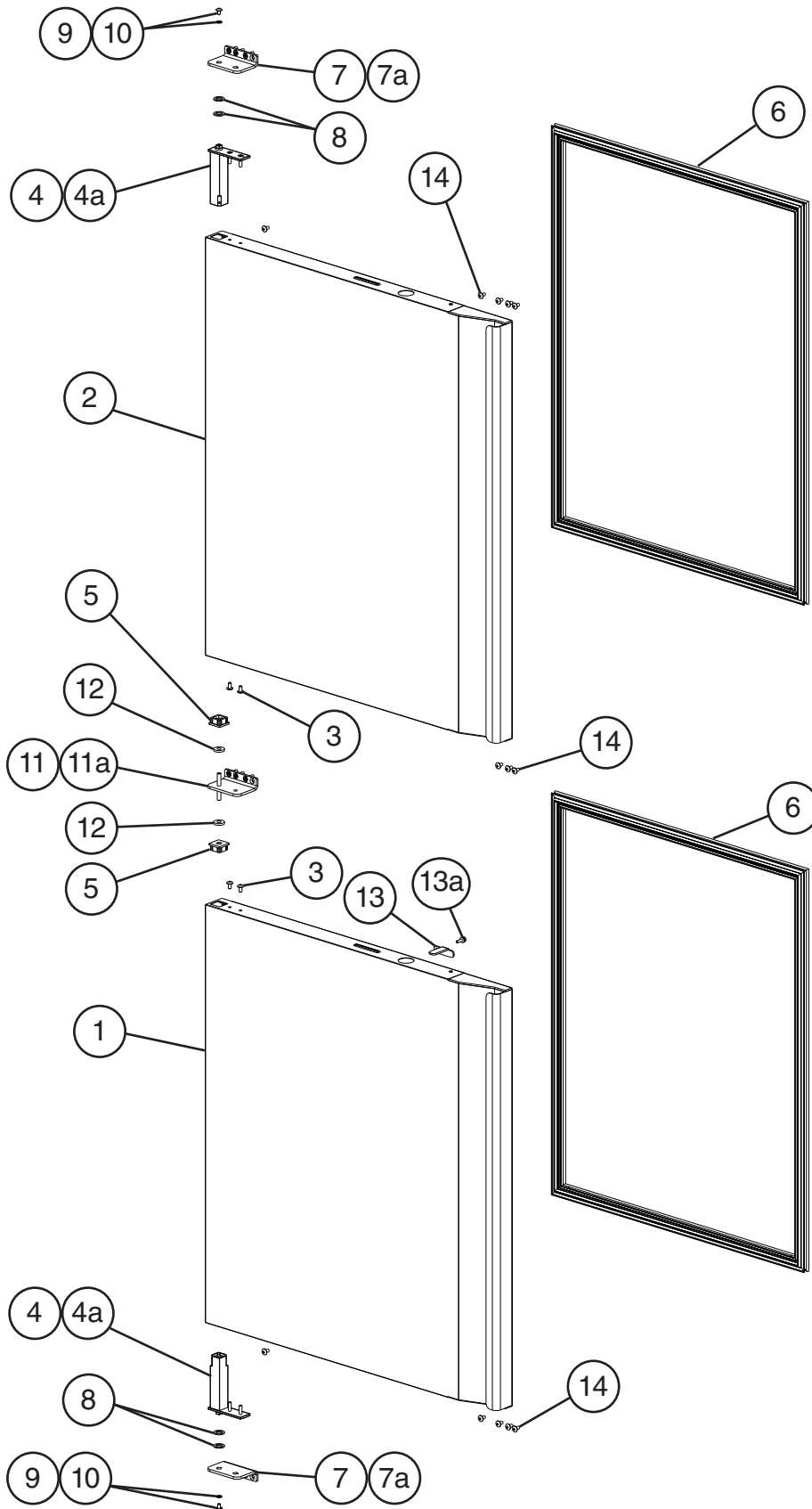
Title: E. Door-Left Hinged Model: Full Glass					Required Number												
Index No.	Description	Material or Model Number	Part Number	E-5 to H-5													
1	Left Glass Door	CR_S-FGE CR_S-FGY	2A7834-01	1													
		CF_S-FGE CF_S-FGY	2A7834-02	1													
2	Door Gasket		3A8864-01	1													
3	Upper Hinge Bracket		3A8808-01	1													
3a	Truss Head Screw	5x25, SS	7C32-0525	3													
4	Hinge Pin (tension rod)		3A7946-04	1													
5	Lock Nut		3A7946-05	1													
6	Lower Hinge		3A7946-01	1													
7	Backer Plate		3A7946-08	1													
8	Lower Hinge Bushing		3A7946-09	1													
9	Nylon Washer		3A7946-10	1													
10	Slide Pin		3A7946-11	1													
11	Lower Hinge Bracket		3A8807-02	1													
11a	Truss Head Screw	5x25, SS	7C32-0525	3													
12	Truss Head Screw (filler screws)	5x10, SS	7C32-0510	10													

E. Door-Left Hinged
Full Solid
 E-5 to H-5



Title: E. Door-Left Hinged		Model: Full Solid		Required Number										
Index No.	Description	Material or Model Number	Part Number	E-5 to H-5										
				1	Left Door Assembly (includes items 8 through 11)		2A7817G01	1						
2	Door Gasket		2A5192-07	1										
3	Hinge Cartridge		3A9206-01	1										
3a	Countersunk Screw	5x20, SS	7C42-0520	2										
4	Truss Head Screw	5x10, SS	7C32-0510	2										
5	Bearing		4A5232-01	1										
6	Lower Hinge Bracket		3A6250G01	1										
6a	Countersunk Screw	5x20, SS	7C42-0520	3										
7	Thrust Washer		4A5234-01	1										
8	Upper Hinge Bracket		3A6249-01	1										
8a	Countersunk Screw	5x20, SS	7C42-0520	3										
9	Lock Washer		4A5231-01	1										
10	Screw		4A5230-01	1										
11	Truss Head Screw (filler screws)	5x10, SS	7C32-0510	10										

**E. Door-Left Hinged
Half Solid**
E-5 to H-5



Title: E. Door-Left Hinged Model: Half Solid												
Index No.	Description	Material or Model Number	Part Number	Required Number								
				E-5 to H-5								
1	Upper Right/Lower Left Door Assembly (includes half the quantity of items 3 through 6)		2A7837G01	1								
2	Lower Right/Upper Left Door Assembly (includes half the quantity of items 3 through 6)		2A7838G01	1								
3	Truss Head Screw	5x10, SS	7C32-0510	4								
4	Hinge Cartridge		3A9206-01	2								
4a	Countersunk Screw	5x20, SS	7C42-0520	4								
5	Bearing		4A5232-01	2								
6	Door Gasket		2A5192-22	2								
7	Upper/Lower Hinge Bracket		3A6249-01	2								
7a	Countersunk Screw	5x20, SS	7C42-0520	6								
8	Thrust Washer		4A5233-01	4								
9	Lock Washer		4A5231-01	2								
10	Screw		4A5230-01	2								
11	Middle Hinge Bracket		3A6250G02	1								
11a	Countersunk Screw	5x20, SS	7C42-0520	3								
12	Thrust Washer		4A5234-01	2								
13	Half-Door Lock		4A5249-01	1								
13a	Bolt	5x16, SS	449879-08	1								
14	Truss Head Screw (filler screws)	5x10, SS	7C32-0510	13								

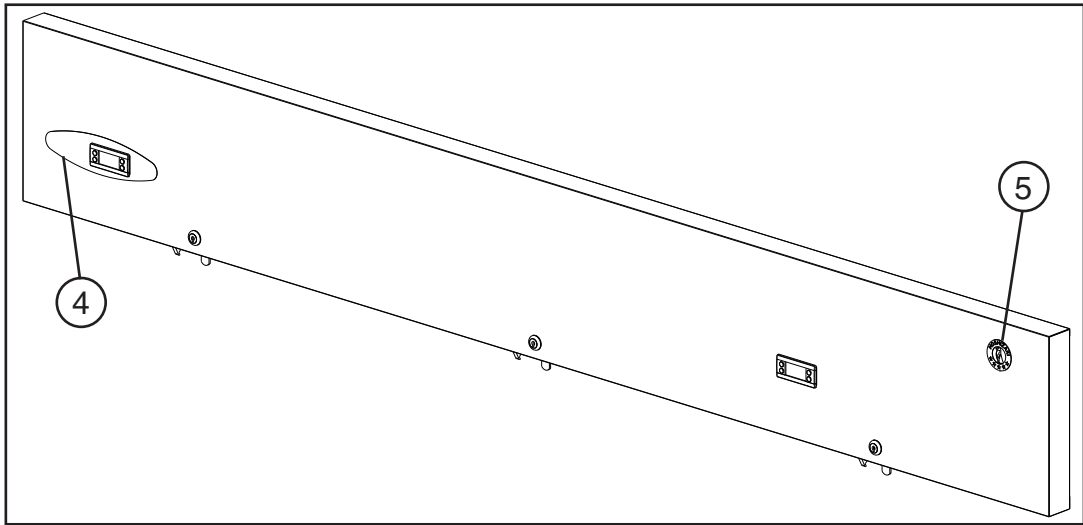
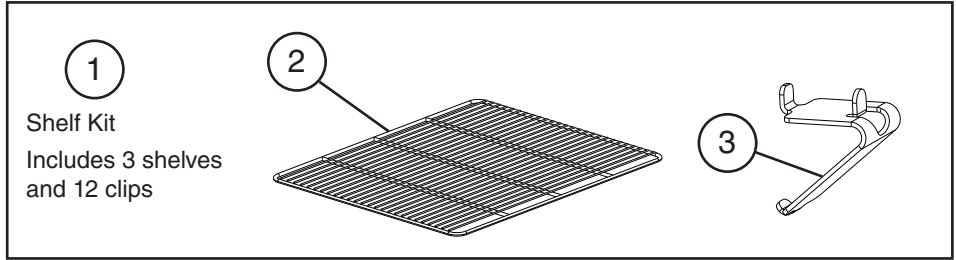
F. Accessories & Labels

C_1S-FGE/FGACL/FGACR/FGY/FGYCL/FGYCR/FS/FSL/HS/HSL,

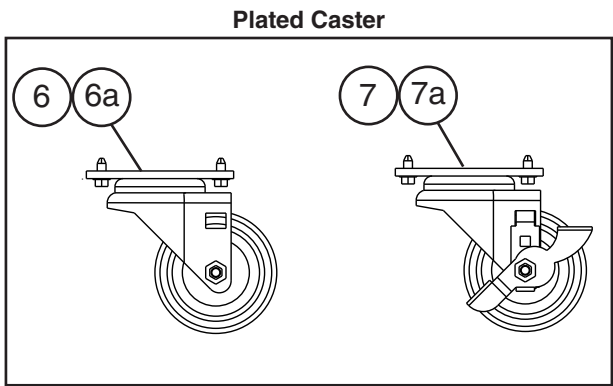
C_2S-FGE/FGY/FS/HS,

C_3S-FGE/FGACL/FGACR/FGY/FGYCL/FGYCR/FS/FSCL/FSCR/HS

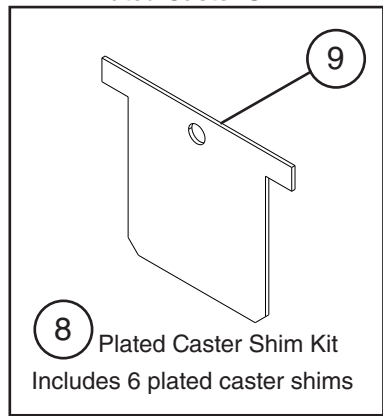
E-5 to H-5



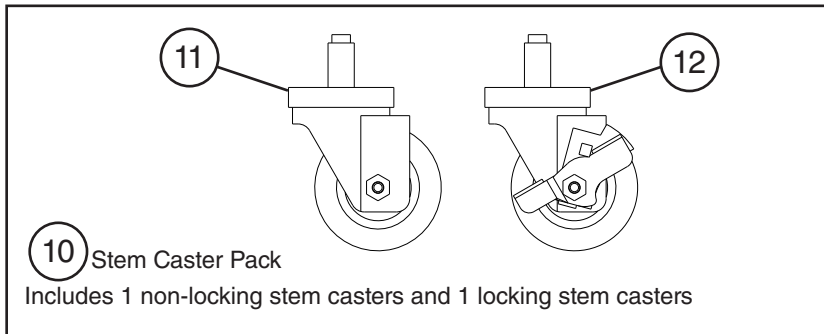
Plated Caster Shim



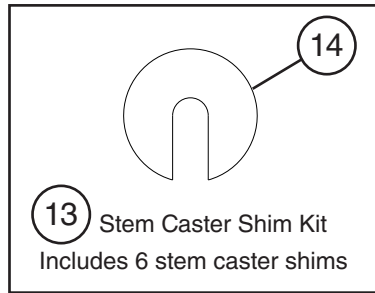
Plated Caster



Stem Caster Shim



Stem Caster



Title: F. Accessories & Labels Model: C_1S-FGE/FGCECL/FGECR/FGY/FGYCL/FGYCR/FS/FSL/HS/HSL, C_2S-FGE/FGY/FS/HS, C_3S-FGE/FGCECL/FGECR/FGY/FGYCL/FGYCR/FS/FSCCL/FSCR/HS

Index No.	Description	Material or Model Number	Part Number	Required Number									
				E-5 to E-7	E-8 to H-5								
1	Shelf Kit (3 Pack) (includes items 2 and 3)	C_1S-xxx, C_3S-xxx (One Section) HS-5053	3A6902A01	1	1								
	Shelf Kit (3 Pack) (one kit includes half of items 2 and 3)	C_2S-xxx, C_3S-xxx (Two Section) HS-5048	3A6874A01	2	2								
2	Shelf	C_1S-xxx, C_3S-xxx (One Section) HS-5052	3A6876-03	3	3								
		C_2S-xxx, C_3S-xxx (Two Section) HS-5047	3A6876-01	6	6								
3	Shelf Clip	C_1S-xxx, C_3S-xxx (One Section)	428957-01	12	12								
		C_2S-xxx		12	12								
		C_3S-xxx (Two Section)		24	24								
4	Commercial Label	CR_S-xxx	3A7757-01	1	1								
		CF_S-xxx	3A7757-02	1	1								
5	Penguin Label		475552L01	1	1								
Plated Caster													
6	4-Inch Non-Locking Plated Caster	C_1S-xxx, C_2S-xxx	4A4275-02	2	-								
		C_3S-xxx		3	-								
6a	Hex Head Tapping Bolt	C_1S-xxx, C_2S-xxx	4A5213-01	8	-								
		C_3S-xxx		12	-								
7	4-Inch Locking Plated Caster	C_1S-xxx, C_2S-xxx	4A4275-01	2	-								
		C_3S-xxx		3	-								
7a	Hex Head Tapping Bolt	C_1S-xxx, C_2S-xxx	4A5213-01	8	-								
		C_3S-xxx		12	-								
8	Plated Caster Shim Kit (includes 6 of item 8)		HS-3724	1	-								
9	Plated Caster Shim		4A5208-01	6	-								

Title: F. Accessories & Labels Model: C_1S-FGE/FGACL/FGECR/FGY/FGYCL/FGYCR/FS/FSL/HS/HSL, C_2S-FGE/FGY/FS/HS, C_3S-FGE/FGACL/FGECR/FGY/FGYCL/ FGYCR/FS/FACL/FSCR/HS											
Index No.	Description	Material or Model Number	Part Number	Required Number							
				E-5 to E-7	E-8 to H-5						
Stem Caster											
10	4-inch Stem Caster Pack (includes 1 locking caster and 1 non-locking caster)	C_1S-xxx	4A1347-03		2						
		C_2S-xxx			3						
		C_3S-xxx									
11	4-inch Non-Locking Stem Caster	C_1S-xxx	4A1347-01		2						
		C_2S-xxx			3						
		C_3S-xxx									
12	4-inch Locking Stem Caster	C_1S-xxx	4A1347-02		2						
		C_2S-xxx			3						
		C_3S-xxx									
13	Stem Caster Shim Kit (includes 6 of item 14)		HS-3590		1						
14	Stem Caster Shim		4A3658-01		6						