

*** Defrost Thermostat**

Cut-Out	120°F±5°F (49°C±3°C)
Cut-In	70°F±5°F (21°C±3°C)

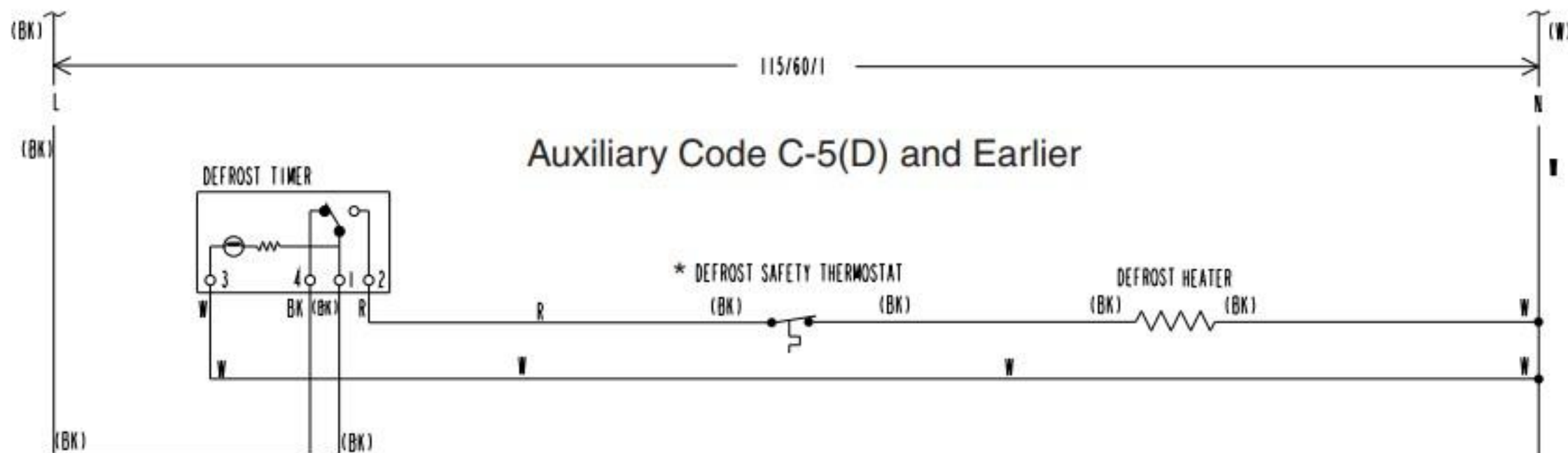
**** High-Pressure Switch**

Cut-Out	490±10 PSIG
Cut-In	370±20 PSIG

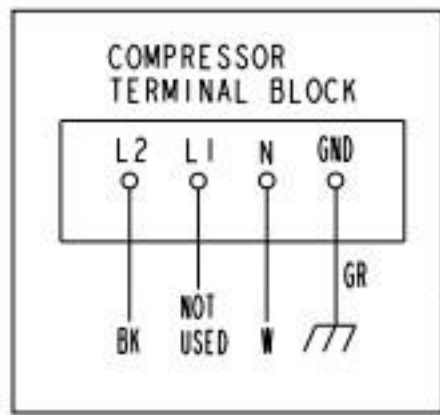
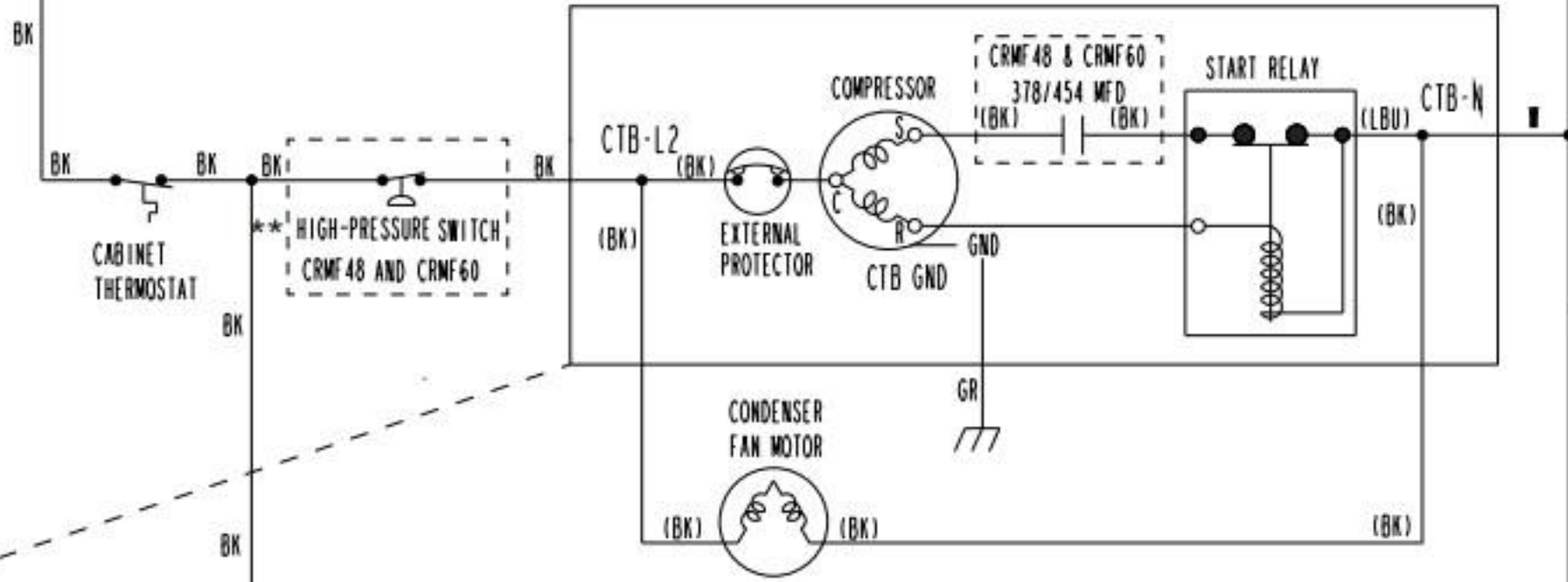
- WIRE COLOR CODE
- BK BLACK
 - BR BROWN
 - DBU DARK BLUE
 - GR GREEN
 - GY GRAY
 - LBU LIGHT BLUE
 - O ORANGE
 - P PINK
 - R RED
 - V VIOLET
 - W WHITE
 - Y YELLOW

115/60/1

Auxiliary Code C-5(D) and Earlier

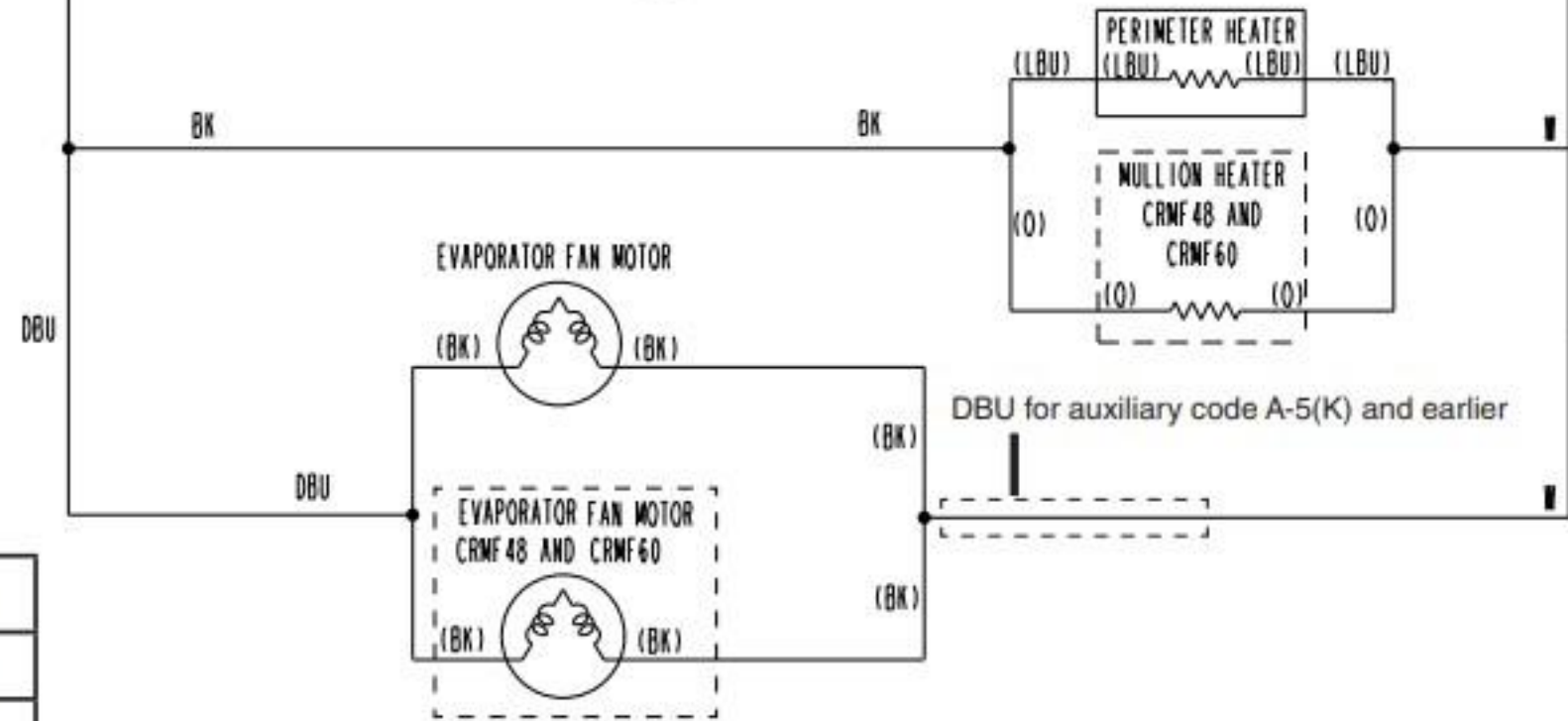


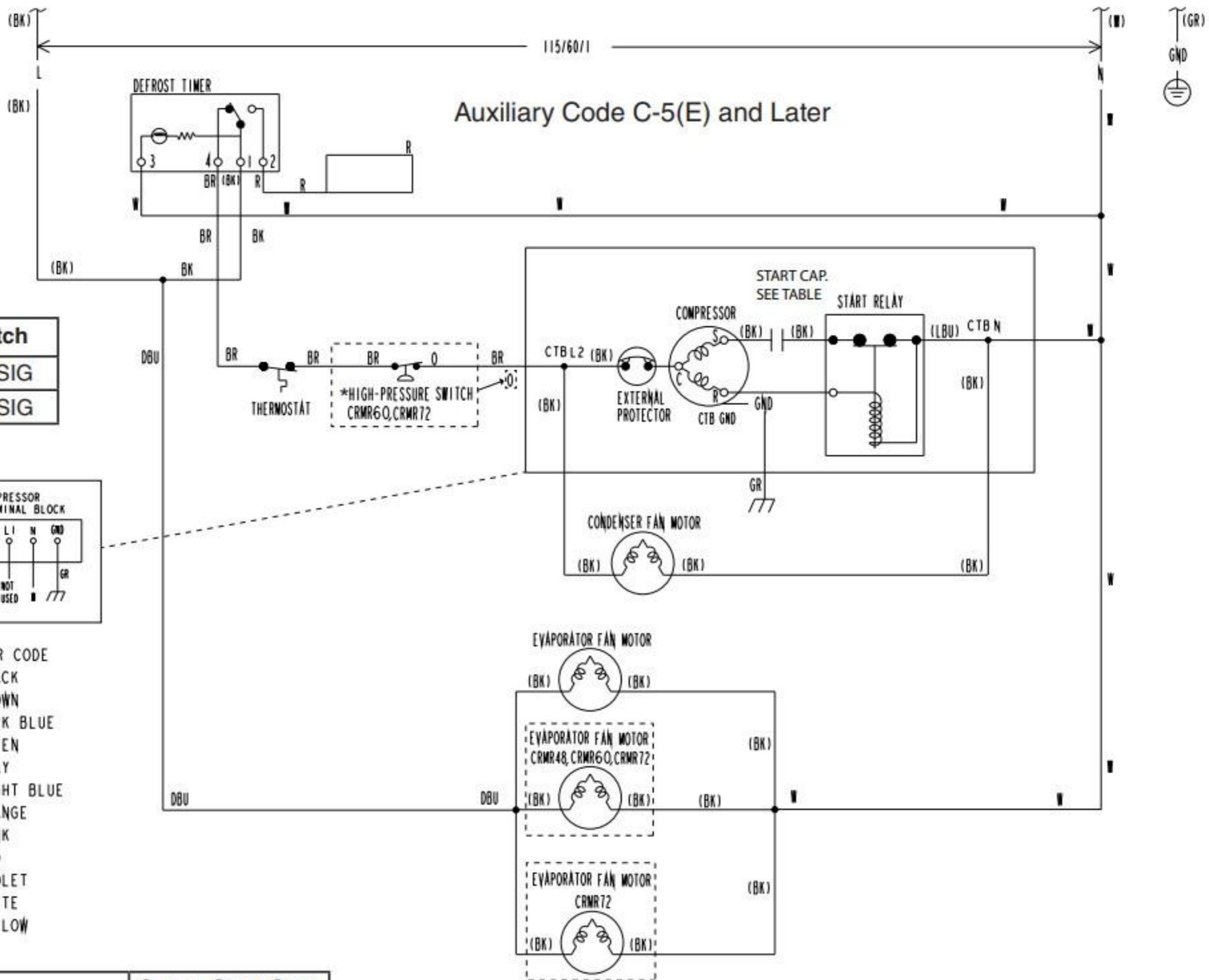
* Defrost Thermostat	
Cut-Out	120°F±5°F (49°C±3°C)
Cut-In	70°F±5°F (21°C±3°C)



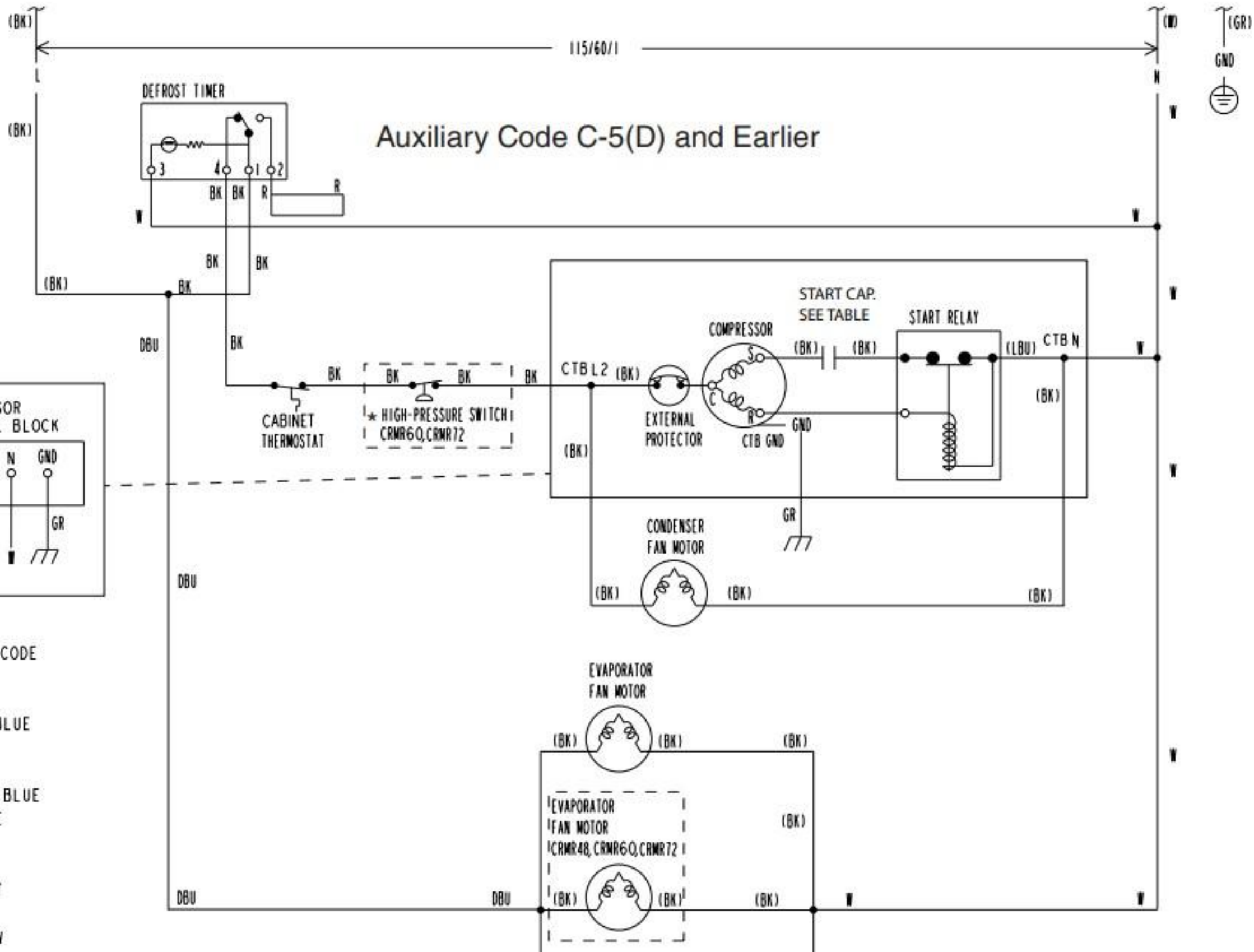
- WIRE COLOR CODE
- BK BLACK
 - BR BROWN
 - DBU DARK BLUE
 - GR GREEN
 - GY GRAY
 - LBU LIGHT BLUE
 - O ORANGE
 - P PINK
 - R RED
 - V VIOLET
 - W WHITE
 - Y YELLOW

** High-Pressure Switch	
Cut-Out	490±10 PSIG
Cut-In	370±20 PSIG



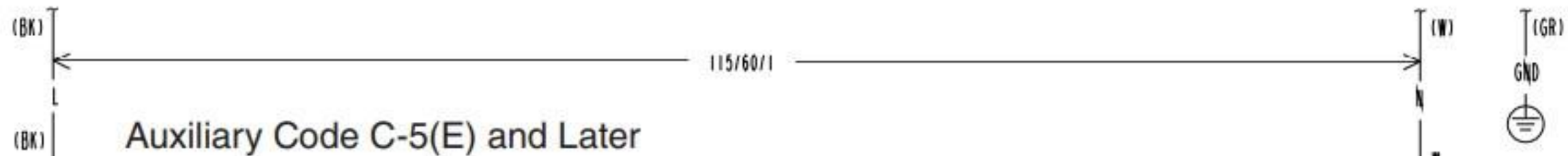


Model	Comp. Start Cap.
CRMR27 and CRMR48 Prep Table	233/280MFD
CRMR60 and CRMR72 Prep Table	270/324MFD

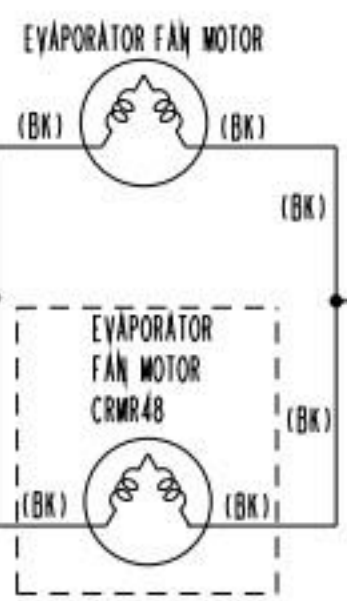
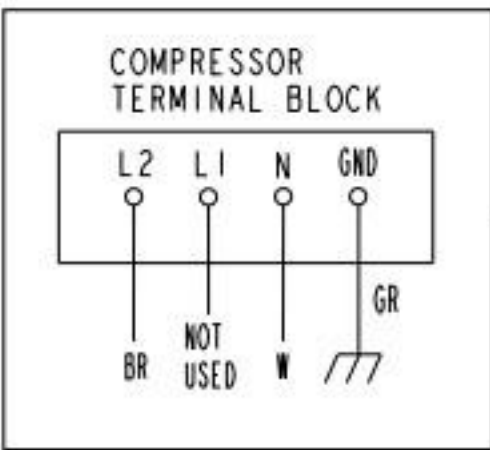
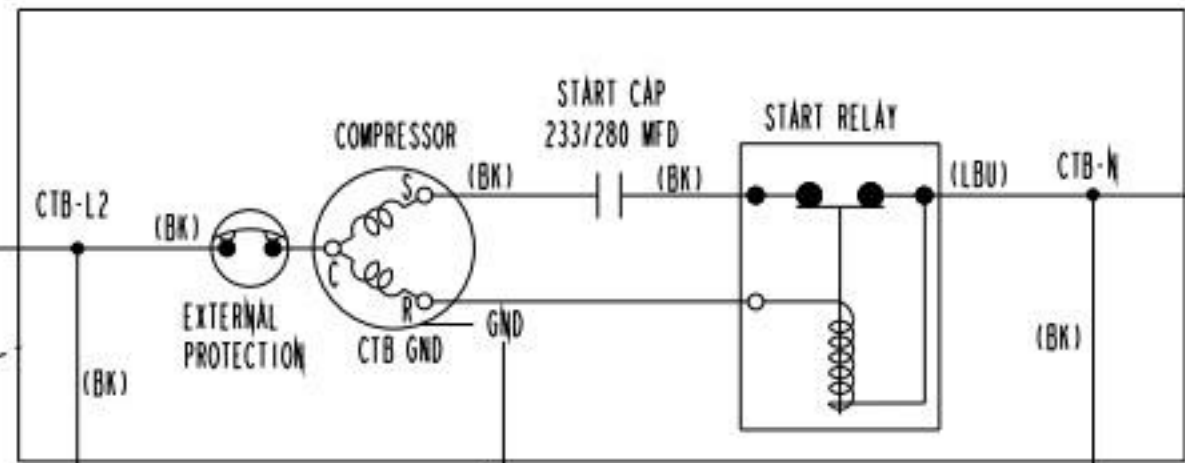


Model	Comp. Start Cap.
CRMR27 and CRMR48 Prep Table	233/280MFD
CRMR60 and CRMR72 Prep Table	270/324MFD

* High-Pressure Switch	
Cut-Out	300±10 PSIG
Cut-In	190±20 PSIG



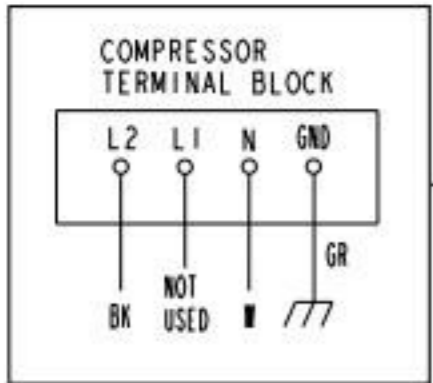
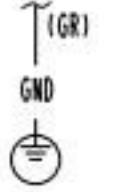
Auxiliary Code C-5(E) and Later



- WIRE COLOR CODE
- BK BLACK
 - BR BROWN
 - DBU DARK BLUE
 - GR GREEN
 - GY GRAY
 - LBU LIGHT BLUE
 - O ORANGE
 - P PINK
 - R RED
 - V VIOLET
 - W WHITE
 - Y YELLOW

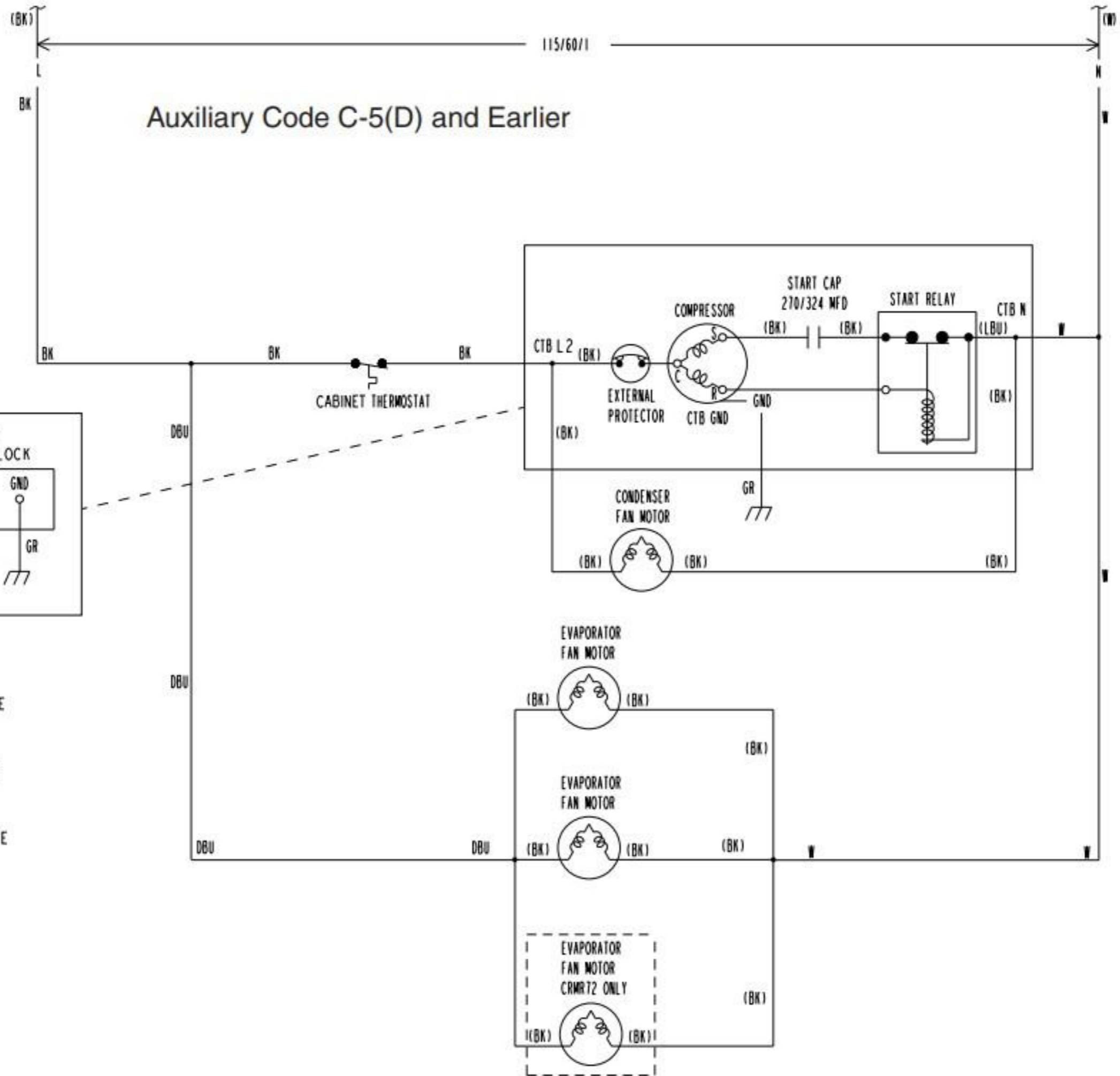
Auxiliary Code C-5(D) and Earlier

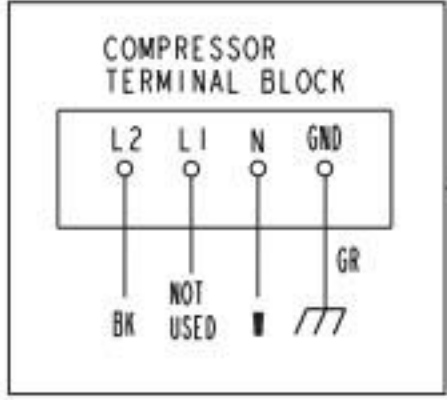
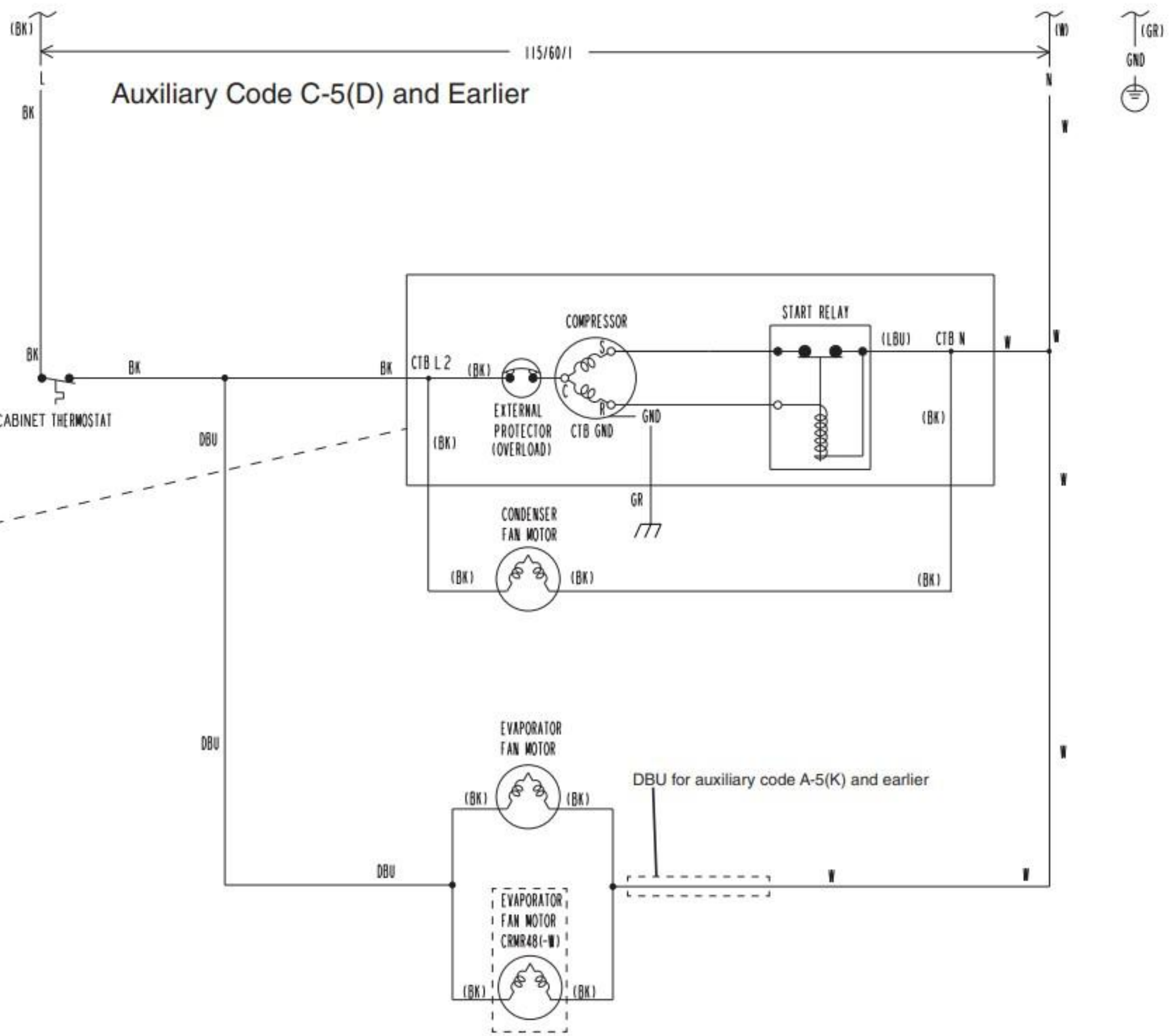
115/60/1



WIRE COLOR CODE

BK	BLACK
BR	BROWN
DBU	DARK BLUE
GR	GREEN
GY	GRAY
LBU	LIGHT BLUE
O	ORANGE
P	PINK
R	RED
V	VIOLET
W	WHITE
Y	YELLOW





WIRE COLOR CODE

BK	BLACK
BR	BROWN
DBU	DARK BLUE
GR	GREEN
GY	GRAY
LBU	LIGHT BLUE
O	ORANGE
P	PINK
R	RED
V	VIOLET
W	WHITE
Y	YELLOW