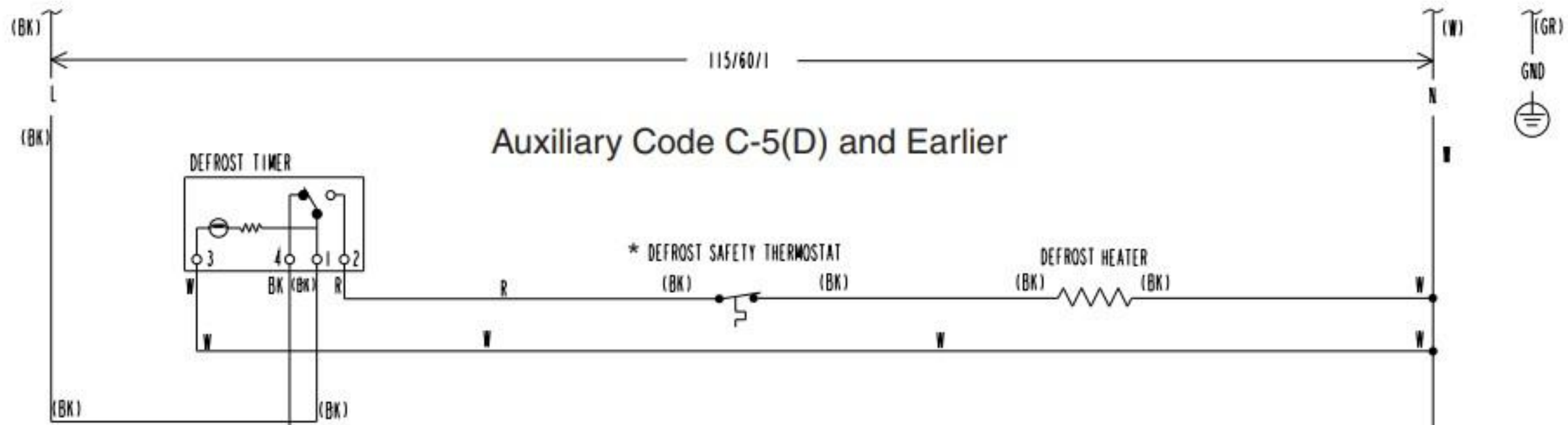


* Defrost Thermostat	
Cut-Out	120°F±5°F (49°C±3°C)
Cut-In	70°F±5°F (21°C±3°C)

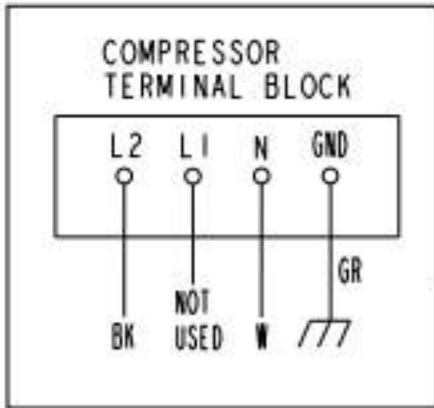
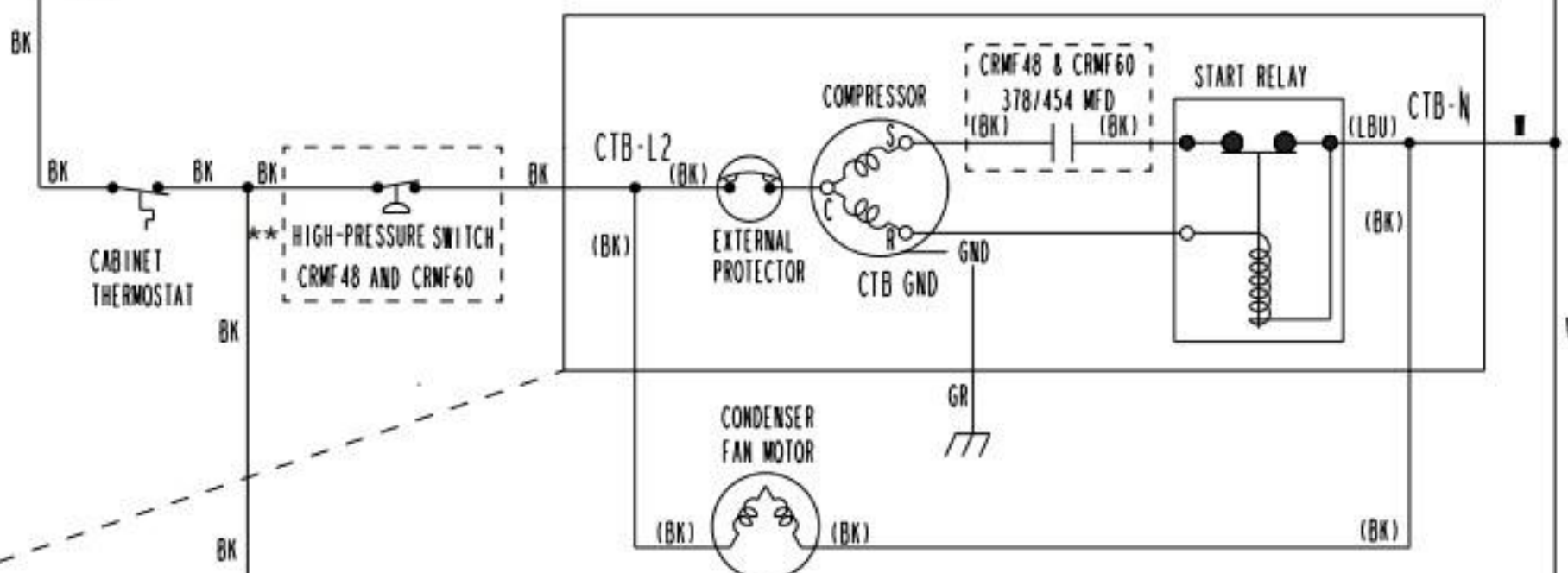
** High-Pressure Switch	
Cut-Out	490±10 PSIG
Cut-In	370±20 PSIG

WIRE COLOR CODE

BK	BLACK
BR	BROWN
DBU	DARK BLUE
GR	GREEN
GY	GRAY
LBU	LIGHT BLUE
O	ORANGE
P	PINK
R	RED
V	VIOLET
W	WHITE
Y	YELLOW

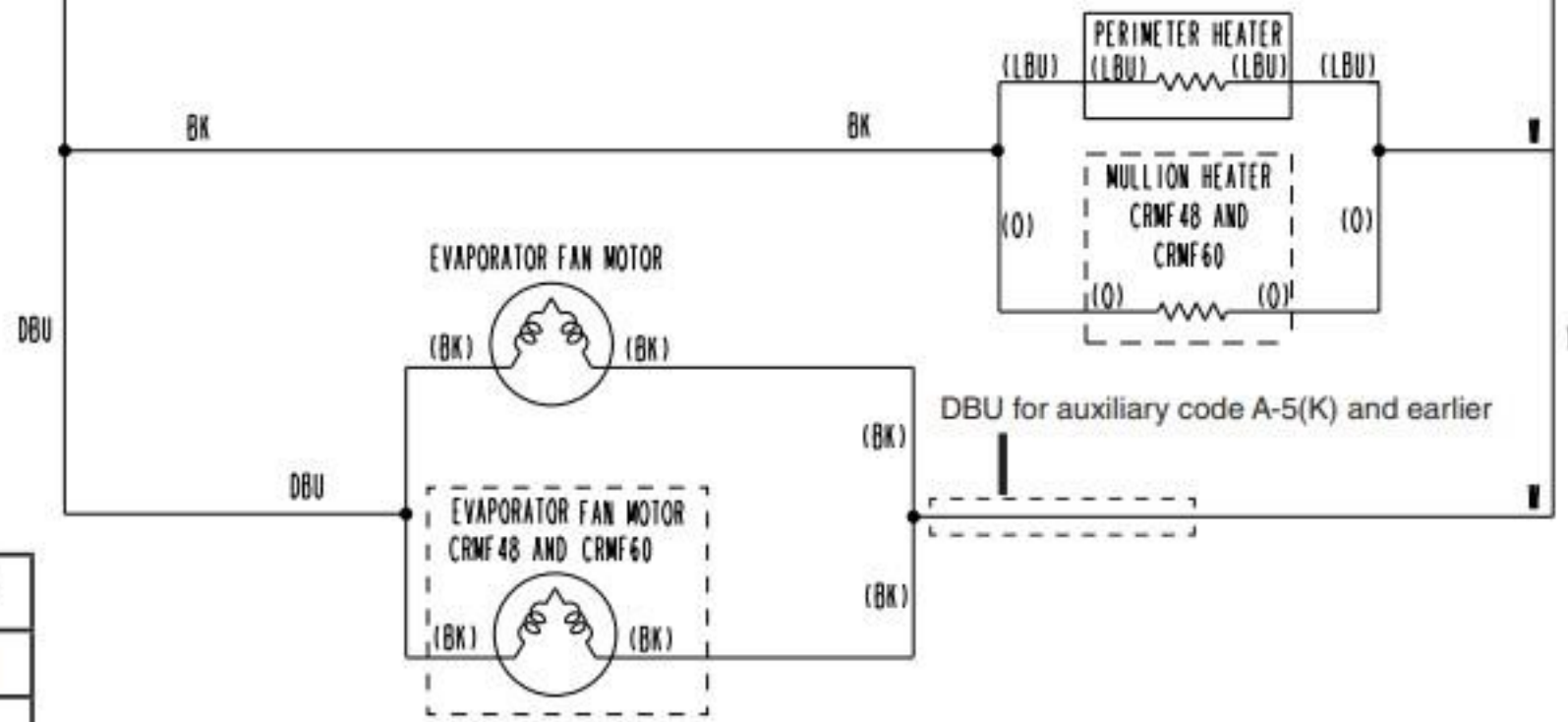


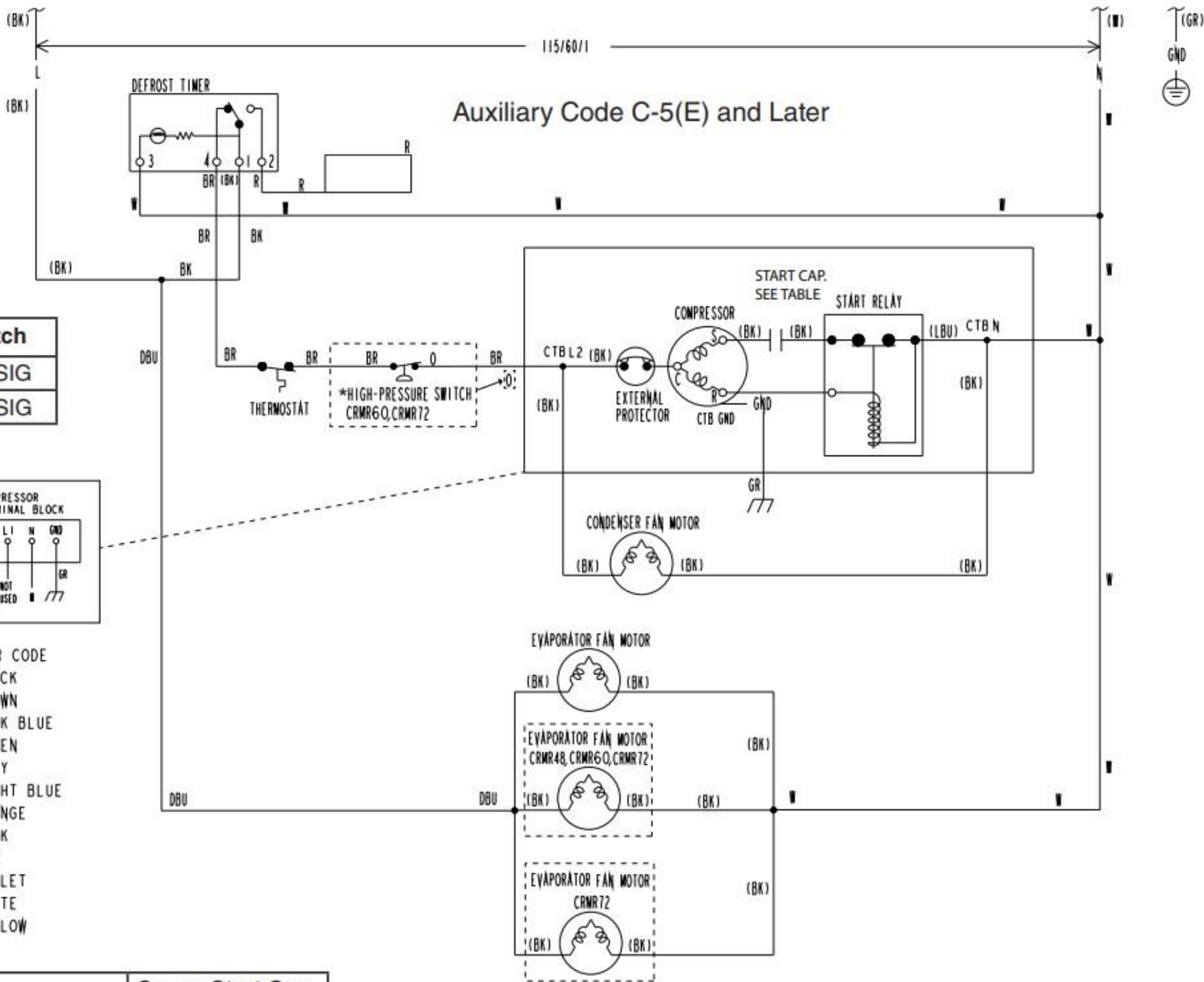
* Defrost Thermostat	
Cut-Out	120°F±5°F (49°C±3°C)
Cut-In	70°F±5°F (21°C±3°C)



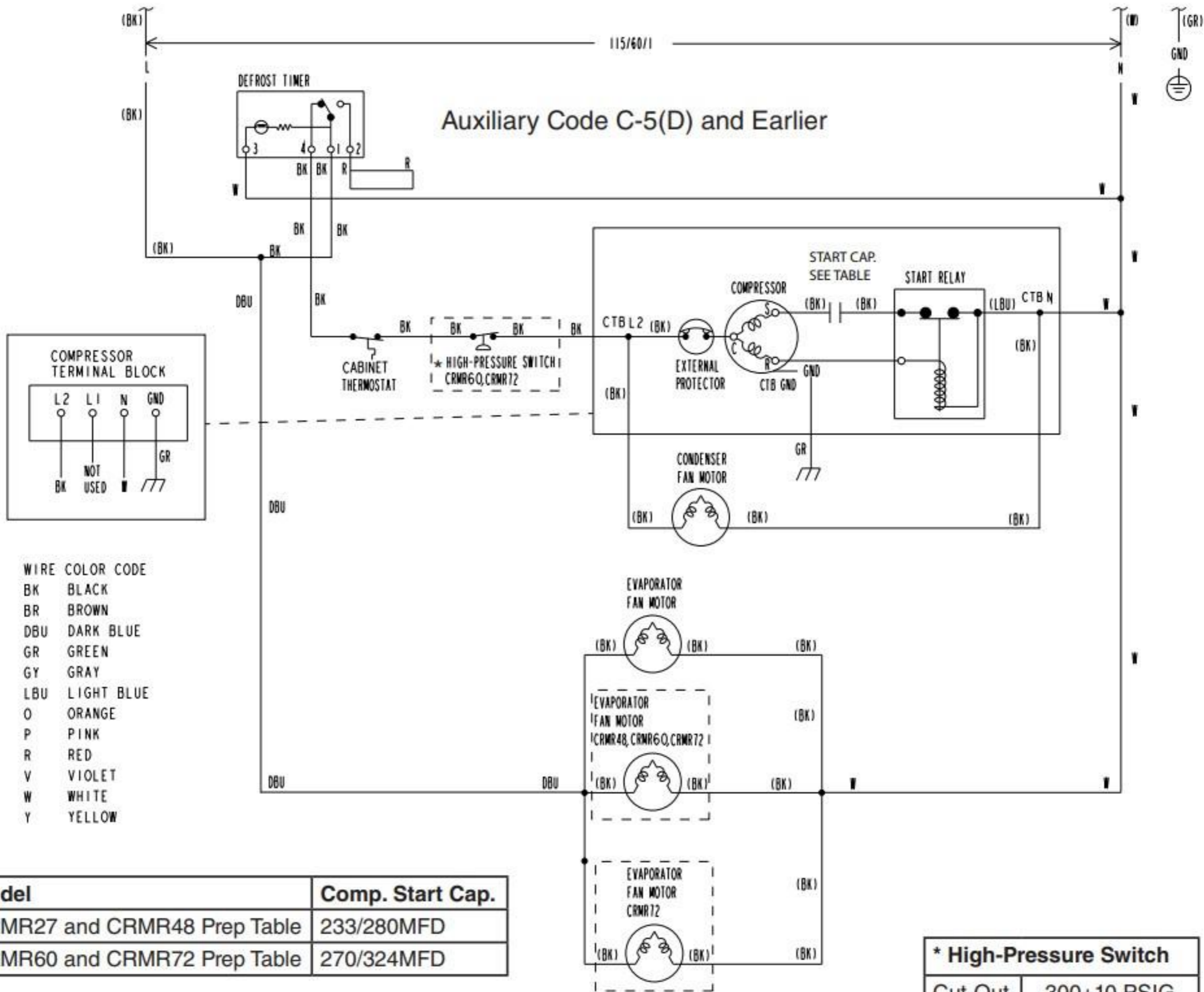
- WIRE COLOR CODE
- BK BLACK
  - BR BROWN
  - DBU DARK BLUE
  - GR GREEN
  - GY GRAY
  - LBU LIGHT BLUE
  - O ORANGE
  - P PINK
  - R RED
  - V VIOLET
  - W WHITE
  - Y YELLOW

** High-Pressure Switch	
Cut-Out	490±10 PSIG
Cut-In	370±20 PSIG



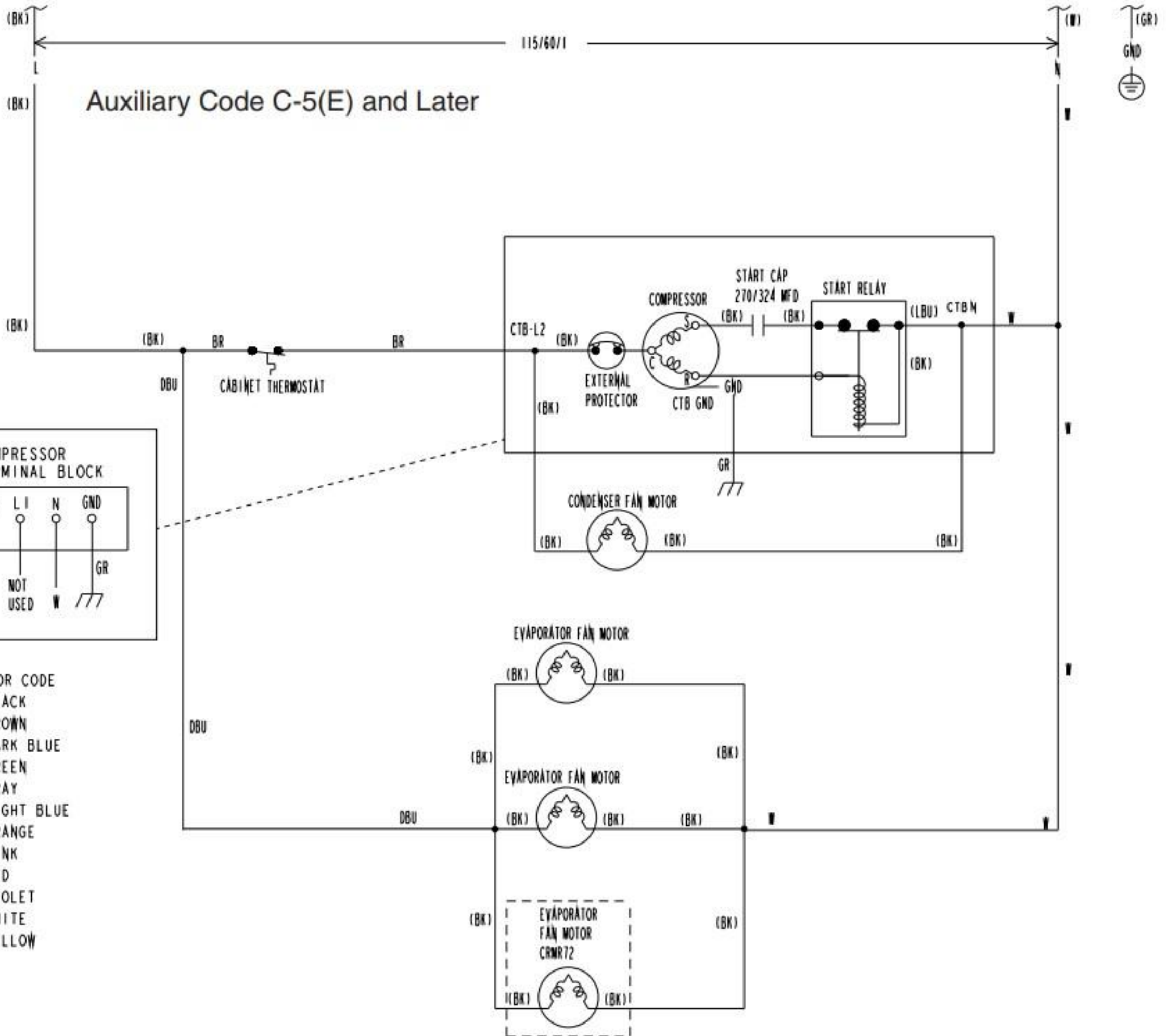


Model	Comp. Start Cap.
CRMR27 and CRMR48 Prep Table	233/280MFD
CRMR60 and CRMR72 Prep Table	270/324MFD



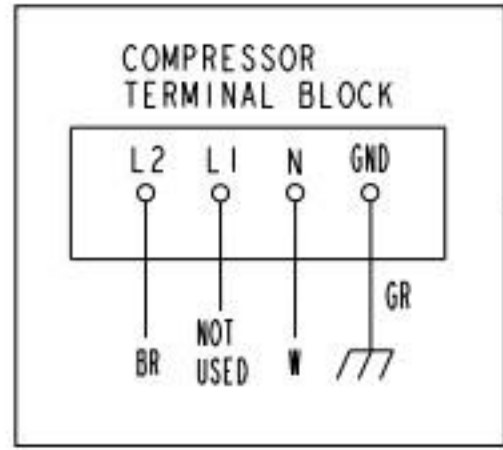
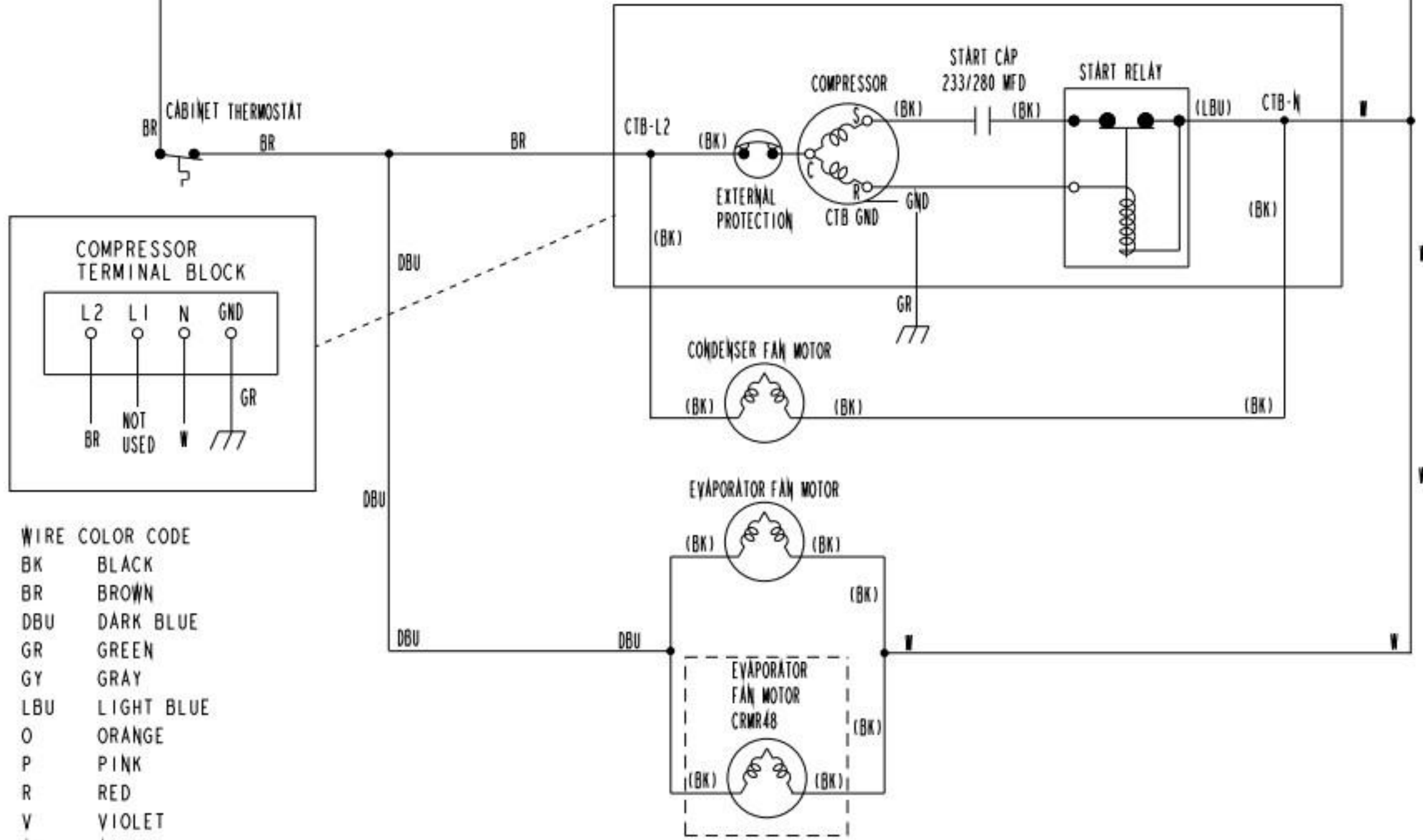
Model	Comp. Start Cap.
CRMR27 and CRMR48 Prep Table	233/280MFD
CRMR60 and CRMR72 Prep Table	270/324MFD

* High-Pressure Switch	
Cut-Out	300±10 PSIG
Cut-In	190±20 PSIG



# Auxiliary Code C-5(E) and Later

115/60/1



WIRE COLOR CODE

BK	BLACK
BR	BROWN
DBU	DARK BLUE
GR	GREEN
GY	GRAY
LBU	LIGHT BLUE
O	ORANGE
P	PINK
R	RED
V	VIOLET
W	WHITE
Y	YELLOW

