



**CE** 89/336  
73/23

ISSUED: JULY 6, 1998

REVISED: JULY 28, 1999

---

CUBELET ICE DISPENSER  
EISSPENDER FÜR SICHELFORMIGE EISWÜRFEL  
DISPENSADOR DE CUBITOS DE HIELO  
DISTRIBUTEUR DE CUBELETS  
DISTRIBUTORE DI CUBETTI DI GHIACCIO  
HALVE-MAANVORMIGE IJSDISPENSER

**DCM-230FE**  
**DCM-200F**

**INSTALLATION MANUAL**  
**BEDIENUNGSANLEITUNG**  
**MANUAL DE INSTALACIÓN**  
**MANUEL D'INSTALLATION**  
**MANUALE DI INSTALLAZIONE**  
**INSTALLATIEINSTRUCTIES**

FOR QUALIFIED INSTALLER ONLY  
NUR FÜR QUALIFIZIERTE INSTALLATEURE  
PARA EL INSTALADOR CAPACITADO  
POUR L'INSTALLATEUR QUALIFIÉ SEULEMENT  
PER L'USO ESCLUSIVO DA PARTE DI INSTALLATORI ESPERTI  
UITSLUITEND VOOR BEVOEGDE INSTALLATEURS

**HOSHIZAKI**

**IMPORTANT**

1. In order to carry out safe and proper installation of the product, please read this booklet carefully beforehand and follow the instructions contained within.
2. On completion of the installation, start the ice dispenser to check for any abnormalities, and instruct the user on how to use and maintain the ice dispenser in accordance with the Instruction Manual.
3. This booklet should be handed over to the user after the installation and be preserved by the user together with the Instruction Manual for any further consultation that may be necessary.

**WARNING**

**The installation must be carried out by qualified personnel**, in accordance with current regulations, according to the manufacturer's instructions.

**1. UNPACKING**

**WARNING**

Children should not be allowed in reach of the packaging elements (plastic bags and expanded polystyrene) as they are potential sources of danger.

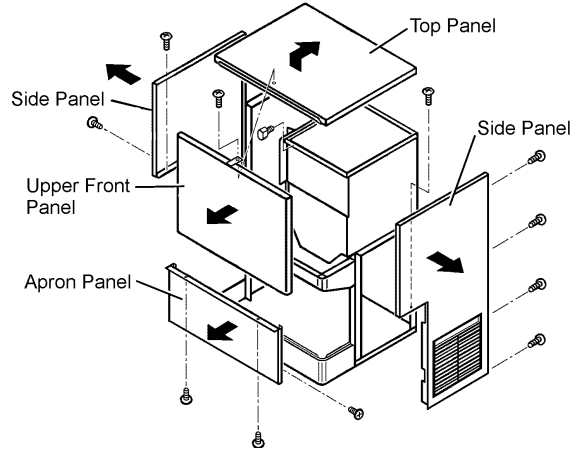
**CAUTION**

Remove shipping carton, tape(s) and packing. If packing material is left in the ice dispenser, it will not work properly.

- 1) After removing the packaging, make sure that the ice dispenser is in good condition. If in doubt, please do not use the equipment but apply to professionally qualified personnel.
- 2) Remove the Upper Front, Top and Side Panels to prevent damage when installing the ice dispenser. See Fig. 1.
- 3) Remove the package of accessories, and check the contents:
  - a) Installation Kit (DCM-230FE only)
 

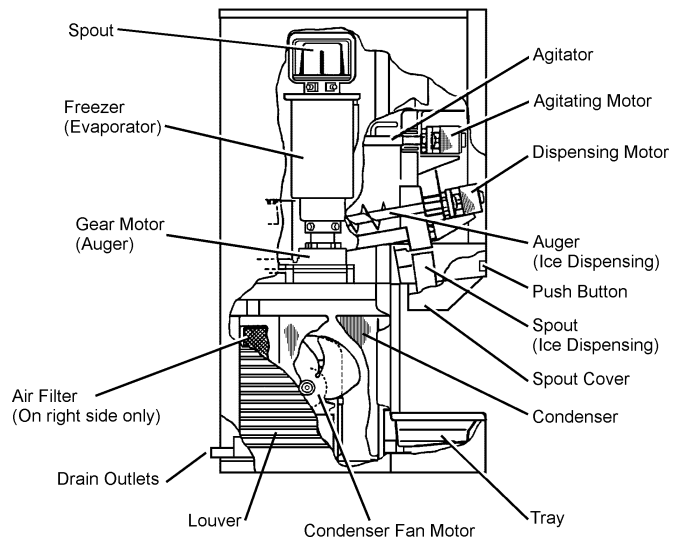
Inlet Hose	1
Outlet Hose	2
1/2-3/4 Nipple	1
3/4-3/4 Nipple	2
  - b) Bracket (DCM-230FE only) 2
  - c) Fuse 3

- 4) Check for 10A, 1A and 0.5A spare fuses.
- 5) Remove the protective plastic film from the panels. If the ice dispenser is exposed to the sun or to heat, remove the film after the ice dispenser cools.



- Upper Front Panel:** Remove the screws. Pull the bottom toward you.
- Top Panel:** Remove the Thumbscrew. Lift up the front and push away.
- Apron/Side Panel:** Remove the screws and pull toward you.

**Fig. 1**



**Fig. 2**

## 2. LOCATION

### IMPORTANT

1. This ice dispenser is not intended for outdoor use. Normal operating ambient temperature should be within +5°C to +40°C. Normal operating water temperature should be within +5°C to +35°C. Operation of the ice dispenser, for extended periods, outside of these normal temperature ranges may affect production capacity.
2. The ice dispenser should not be located next to ovens, grills or other high heat producing equipment.
3. The location should provide a firm and level foundation for the equipment at normal counter top height.
4. Allow 15 cm. clearance at rear, sides and top for proper air circulation and ease of maintenance and/or service should they be required.
5. This appliance is not suitable for installation in an area where a water jet could be used and where dripping is not allowed.
6. Do not place anything on top of the ice dispenser or in front of the Louver.

## 3. INSTALLATION

- Incorrect installation can cause harm to people, animals or things, for which the manufacturer cannot be held responsible.
- 1) Position the ice dispenser in the selected permanent site.
  - 2) Level the ice dispenser in both the left-to-right and front-to-rear directions.
  - 3) Attach the two support brackets to the lower rear of the dispenser (one each side).
  - 4) Attach the brackets to the counter surface using 4 suitable screws (not supplied).

Note: The brackets are to ensure the dispenser cannot be tilted or moved during use.

## 4. ELECTRICAL CONNECTIONS

### WARNING

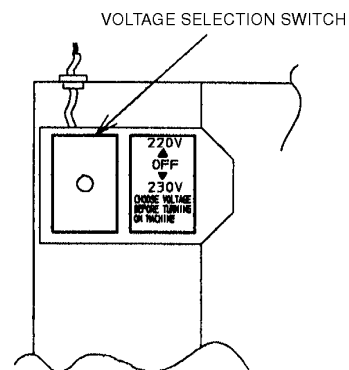
#### THIS APPLIANCE MUST BE EARTHED

This ice dispenser requires an earth that meets the national and local electrical code requirements. To prevent possible severe electrical shock to individuals or extensive damage to equipment, install a proper earth wire to the ice dispenser. Remove the plug from the mains socket before any maintenance, repairs or cleaning is undertaken.

- This ice dispenser must have a separate power supply or receptacle of proper capacity. See the Nameplate.
- The main control box fuses are rated at 10A, 1A and 0.5A and should only be replaced by a qualified service engineer.
- Usually an electrical permit and services of a licensed electrician are required.
- If the supply cord and the plug should need to be replaced, it should only be done by a qualified service engineer.

### DCM-200F-GE Voltage Selection

The Voltage Selection Switch is located inside near the connection wires for the machine. Select the proper voltage **BEFORE** connecting power to the machine. Use the following chart for the correct voltage selection.



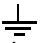
LOCAL VOLTAGE SPEC.	SWITCH SELECTION
220V-1ϕ-50Hz	220V
220V-1ϕ-60Hz	
230V-1ϕ-50Hz	230V
230V-1ϕ-60Hz	

## For the U.K. and the Republic of Ireland only

- The wires in the mains lead are coloured in accordance with the following code:

Green & Yellow = Earth  
Blue = Neutral  
Brown = Live

As the colours of the wire in the mains lead of this appliance may not correspond with the coloured markings identifying the terminals in your plug, proceed as follows:

The wire which is coloured Green-and-Yellow must be connected to the terminal in the plug which is marked with the letter E or by the symbol  or coloured Green or Green-and-Yellow. The wire which is coloured Blue must be connected to the terminal which is marked with the letter "N" or coloured Black. The wire which is coloured Brown must be connected to the terminal which is marked with the letter L or coloured Red.

- Should the socket outlets in the installation site not be suitable for the plug supplied with your product, the plug must be removed (cut off if it is moulded on plug) and an appropriate plug fitted.

If the non-rewirable plug has been cut from the power supply cord, it must be disposed of. There should be no attempt to reuse it. Inserting such a plug into a socket elsewhere presents a serious risk of electrical shock.

- The non-rewirable plug must never be used without a fuse cover being fitted.

The correct replacement for the detachable fuse cover is identifiable from the manufacturer's reference number stamped on the plug.

Supply of replacement fuse covers can be obtained from Hoshizaki Parts/Service Centres.

Fuses should be rated at 10A and approved to BS 1362.

## 5a. WATER SUPPLY AND DRAIN CONNECTIONS (DCM-230FE)

(For the U.K. only, the connections must be in accordance with current requirements of the Model Water Byelaws 1986 SI No. 1147)

- Only potable water should be used for this ice dispenser.
  - External filters, strainers or scale treatment may be required, depending on water quality.
  - Water supply pressure should be minimum 0.5 bar and maximum 8 bar. If the pressure exceeds 8 bar, use a pressure reducing valve. Do **NOT** throttle back the supply tap.
  - A plumbing permit and services of a licensed plumber may be required in some areas.
  - The ice dispenser drain is gravity flow, so ensure the drainpipe has an adequate pitch or fall.
  - Water should drain into an open trap.
- 1) By means of a suitable spanner or wrench, tighten the 1/2-3/4 nipple (accessory) into the 1/2 FTP fitting and 3/4-3/4 nipples (accessory) into the 3/4 FTP fittings on the rear of the ice dispenser as indicated. P.T.F.E. tape and/or a suitable sealing compound should be used to obtain a leak-free joint.

Note: Jointing compounds should be approved and suitable for potable water use.

- 2) Attach angled end of white flexible inlet hose (accessory) to free end of 1/2-3/4 nipple ensuring rubber sealing washer is correctly positioned. Hand tighten sufficiently to provide leak free joint.
- 3) Attach the other end of inlet hose to the water tap, noting washer is correctly positioned before hand tightening as above. See Fig. 3b.
- 4) Attach grey flexible outlet hoses (accessory) to free end of 3/4-3/4 nipples, confirming fitment of rubber washers before finally hand tightening the joints. These pipes can be cut to length as necessary to suit position of main drain.

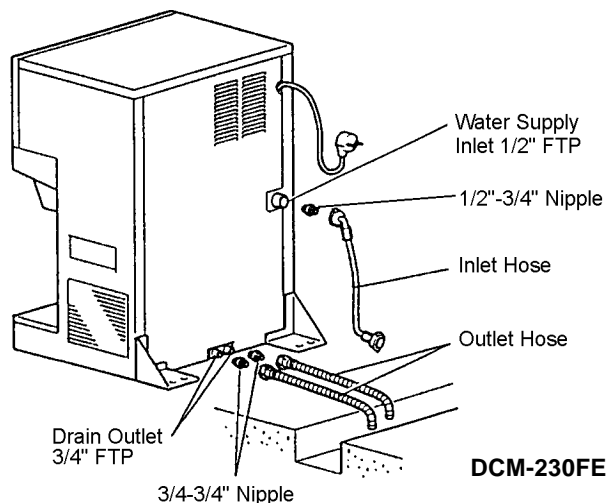


Fig. 3a

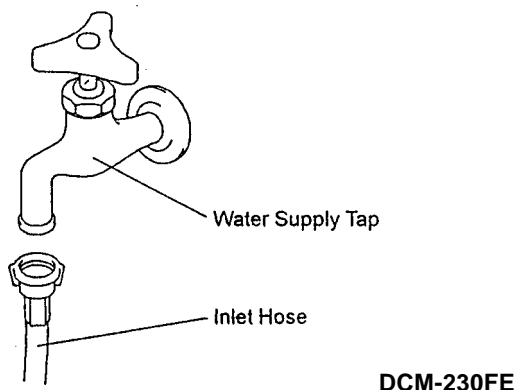


Fig. 3b

- Water supply pressure should be a minimum of 0.5 bar and a maximum of 8 bar. If the pressure exceeds 8 bar, use a pressure reducing valve.
- Two drain outlets are 3/4" female pipe thread (FPT).
- The drains must have 6.5 mm fall per 30.5 cm on horizontal runs to get a good flow.
- Keep more than a 5 cm air gap between drain pipe ends or hose ends and a floor drain.
- A plumbing permit and services of a licensed plumber may be required in some areas.
- A back flow preventer may be required in some areas.
- Only cold drinking water will be used for this icemaker.

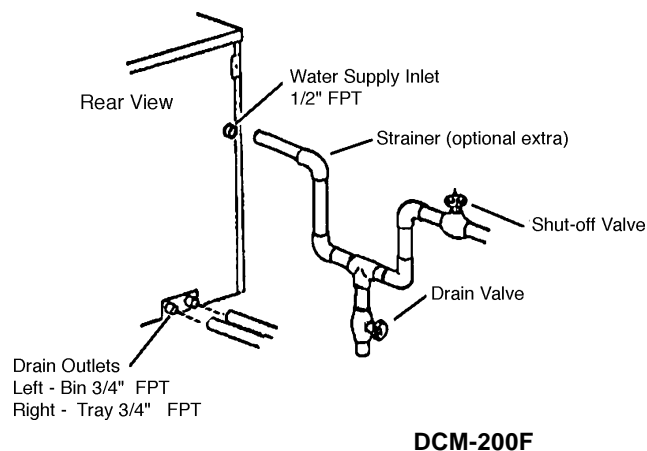


Fig. 4

## 5b. WATER SUPPLY AND DRAIN CONNECTIONS (DCM-200F)

- Water supply inlet is 1/2" female pipe thread (FPT). A strainer should be installed with the clean-out plug down. Locate the strainer in the water supply line, next to the ice dispenser with the arrow on the strainer in the direction of the water flow.

Note: A Part Code 311166A01 strainer is an optional extra.

- A water supply line shut-off valve and drain valve should be installed.

## 6. OPERATION - How it works

Water flows from a potable water source through the tap, enters at the water inlet fitting and on to the Water Supply Assembly. The Water Supply Assembly functions to maintain a constant water level inside the Freezer Assembly. Water from the Water Supply Assembly enters at the bottom of the Freezer and changes into ice by heat-exchanging refrigerant from the Condensing Assembly.

A stainless steel Auger inside the Freezer is direct-driven by the Gear Motor, and the rotating Auger carries the ice upward to the top of the Auger, where

excess water is pressed out of the ice, before being extruded and broken into cubelet ice (compressed ice) and then pushed out into the Ice Storage bin.

Moving the Power Switch on the Control Box to the "ON" position starts the automatic and continuous ice making process. When the Ice Storage Bin is filled with ice, the Bin Control Switch, located at the top of the Storage Bin, will shut off the icemaking process. As the ice is removed from the Storage Bin, the Bin Control Switch will reset automatically and restart the ice making process.

Moving the Dispense Mode Switch to the "PORTION" position gives the user a portion-controlled mode, resulting in dispensing a certain amount of ice (See "8.CONTROLS AND ADJUSTMENT") when the Push Button is pressed. Moving the switch to the "Continuous" position, gives a continuous dispensing mode, resulting in dispensing ice while the Push button is being pressed.

An agitator mechanism in the Storage Bin functions to give a smooth ice flow and to prevent the formation of an ice block.

## 7. START-UP PROCEDURE

- 1) Remove the 4 thumbscrews securing the Front Bin Cover. Wipe clean and/or sanitise the Storage Bin.
- 2) Check that the Bin Control Switch arm moves freely.
- 3) Re-fit the cover and screw.
- 4) Move the Power Switch on the Control Box to the "ON" position.
- 5) Re-fit the Top, Sides and Apron Panels.
- 6) Open the water supply tap.
- 7) Turn on the power supply.

### CAUTION

Be sure that the Ice Making Switch, located at the bottom left of the Middle Front Panel, is moved to the "ON" position. Verify that the Manual Drain Valve at the bottom right of the Middle Front Panel is closed.

- 6) Check that water flows into the Water Supply and Freezer Assemblies:
  - Water flows into the Reservoir through the Water Valve.
  - Water flows into the Freezer bottom through the Feeder Tubing.
  - The Float Switch trips to close the Water Valve.
- 7) Check the water supply and drain connections for water leaks.
- 8) After the Water Valve has closed, the Gear Motor starts first, then the Compressor, and finally the automatic and continuous icemaking process starts.
- 9) Within a few minutes, cubelet ice is extruded into the Storage Bin.
- 10) Check for abnormal noise from the Compressor, Fan Motor or Gear Motor after 30 minutes of running.
- 11) Move the Portion Control Switch, located at the bottom of the Middle Front Panel, to the "PORTION" or "CONTINUOUS" position.

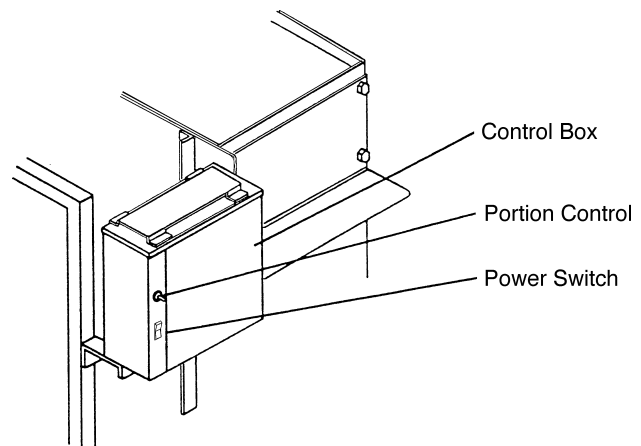


Fig. 5

- 12) Press the Push Button to dispense ice, and the dispensing mechanism will operate.
- 13) Press the Push Button to dispense water, and the Water Valve will open.

Bottom View - Middle Front Panel

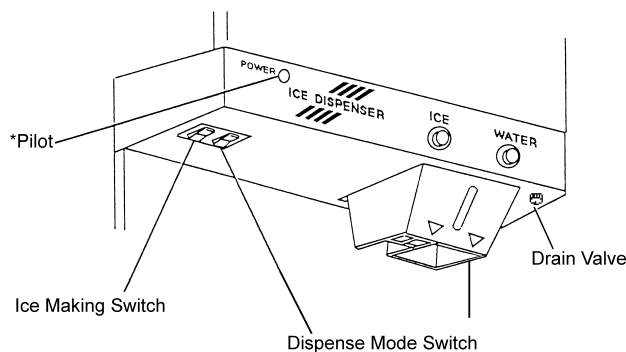


Fig. 6

**IMPORTANT**

1. Check the conditions and quality of the ice production.
2. Do not use ice produced in the trial run. It might be contaminated with foreign matter in the water circuit. Discard or flush down the drain.

**8. CONTROLS AND ADJUSTMENT - Portion Control**

- The Portion Control is located on the Control Box to provide variable amounts of ice dispensed. If adjustment is desired, please note the following guidance and always check after any adjustments.
- The numbers on the label indicate dispensing time (sec.).
- Approximately 35g of ice is dispensed per second.

Note: The Portion Control is factory-adjusted at the minimum dispensing time [0.6 sec. (approx. 21g)].

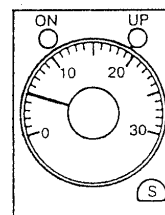


Fig. 7

- Refit the Front Panel upon completion of adjustments.

**9. FINAL CHECKS**

- 1) Are all exterior panels fixed and secured?
- 2) Are all support brackets fitted and secured?
- 3) Is the Portion Control set to customer requirements?
- 4) Has the user been instructed on correct use?
- 5) Have the instruction and installation manuals been handed to the user?

## ACHTUNG

1. Damit das Gerät sicher und korrekt installiert wird, ist zuerst dieses Handbuch sorgfältig durchzulesen, und die darin enthaltenen Anweisungen sind zu befolgen.

2. Im Anschluß an die Installation ist die Eismaschine einzuschalten, um sie auf Unregelmäßigkeiten beim Betrieb zu überprüfen, und der Benutzer ist darin zu unterweisen, wie die Eismaschine entsprechend der Bedienungsanleitung zu benutzen und instandzuhalten ist.

3. Dieses Handbuch ist dem Benutzer nach der Installation zu übergeben und ist vom Benutzer zusammen mit der Bedienungsanleitung aufzubewahren, damit beides bei Bedarf zu Rate gezogen werden kann.

## WARNUNG

Die Installation ist von qualifiziertem Personal entsprechend den aktuellen Bestimmungen und den Anweisungen des Herstellers auszuführen.

## 1. AUSPACKEN

### WARNUNG

Kindern sollten keinen Zugang zum Verpackungsmaterial (Kunststoffbeutel und Polystyrol) haben, da dieses eine mögliche Gefahrenquelle darstellt.

### VORSICHT

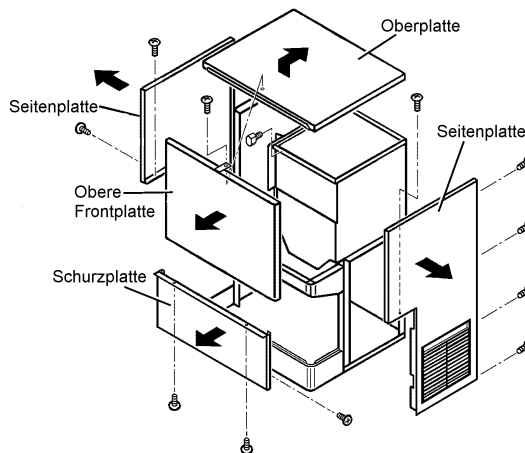
Versandkarton, Band und anderes Verpackungsmaterial abnehmen. Wenn Verpackungsmaterial im Eisdispenser gelassen wird, arbeitet dieser nicht richtig.

- 1) Nach Entfernung des Verpackungsmaterials sollten Sie überprüfen, daß die Eismaschine in gutem Zustand ist. Im Zweifelsfall sollten Sie das Gerät nicht in Gebrauch nehmen, sondern sich an qualifizierte Fachkräfte wenden.
- 2) Die oberen Front-, Ober- und Seitenplatten entfernen, um Beschädigung bei Installation des Eisspenders zu verhindern. Siehe Abb. 1.
- 3) Das Zubehörpaket herausnehmen und den Inhalt überprüfen:
  - a) Installationsbausatz (nur DCM-230FE)
 

Zulaufschlauch	1
Ablaufschlauch	2
Nippel 1/2-3/4	1

Nippel 3/4-3/4	2
b) Halterung (nur DCM-230FE)	2
c) Sicherung	3

- 4) Auf Ersatzsicherungen 10 A, 1 A und 0,5 A prüfen.
- 5) Die Kunststoff-Schutzfolie von den Platten entfernen. Wenn der Eisspender der Sonne oder Wärme ausgesetzt ist, die Folie abziehen, nachdem der Eisspender abgekühlt ist.



- Obere Frontplatte:** Die Schrauben entfernen. Die Unterseite zu sich hin ziehen.
- Oberplatte:** Die Flügelschraube entfernen. Die Front anheben und wegschieben.
- Schurz-/Seitenplatte:** Die Schrauben entfernen und zu sich ziehen.

Abb. 1

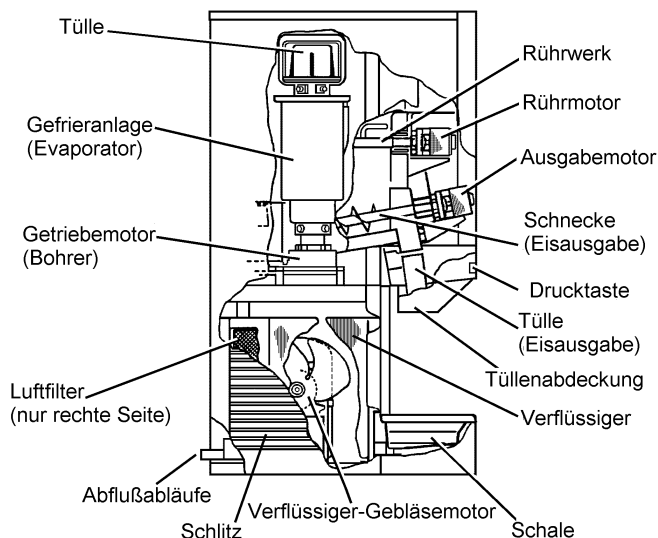


Abb. 2

## 2. STANDORT

### ACHTUNG

1. Diese Eismaschine ist nicht für den Einsatz im Freien gedacht. Die normale Umgebungstemperatur bei Betrieb sollte zwischen +7°C und +40°C liegen. Die normale Wassertemperatur bei Betrieb sollte zwischen +7°C und +35°C liegen. Wenn die Eismaschine für längere Zeit außerhalb dieses normalen Temperaturbereichs betrieben wird, kann die Produktionskapazität beeinträchtigt werden.
2. Die Eismaschine sollte nicht neben Öfen, Grills oder anderen Geräten aufgestellt werden, die hohe Temperaturen erzeugen.
3. Die Aufstellung sollte ein festes und waagrechtes Fundament für die Ausrüstung auf normaler Thekenhöhe bieten.
4. An Rückseite, Seiten und über der Oberseite sollte ein Freiraum von 15 cm vorhanden sein, damit die Luft gut zirkulieren kann und, falls notwendig, Zugang für Instandhaltung und/oder Wartung gegeben ist.
5. Dieses Gerät eignet sich nicht für die Installation in Bereichen, in denen Strahlwasser verwendet werden könnte oder in denen Tropfwasser nicht zulässig ist.
6. Nichts oben auf den Eisspender stellen. Den Schlitz nicht vorne verstellen.

## 3. INSTALLATION

- Unsachgemäße Installation kann Menschen, Tieren oder Dingen Schaden zufügen, wofür der Hersteller nicht verantwortlich gemacht werden kann.
- 1) Den Eisspender am gewählten permanenten Ort aufstellen.
  - 2) Den Eisspender sowohl von links nach rechts als auch von vorne nach hinten nivellieren.
  - 3) Die beiden Stützhalterungen unten auf der Rückseite des Spenders anbringen (eine auf jeder Seite).

4) Die Halterungen an der Thekenoberfläche anhand von 4 geeigneten Schrauben (nicht mitgeliefert) anbringen.

Hinweis: Mit den Halterungen wird sichergestellt, daß der Spender bei Gebrauch nicht geneigt oder bewegt werden kann.

## 4. STROMANSCHLUSS

### WARNUNG

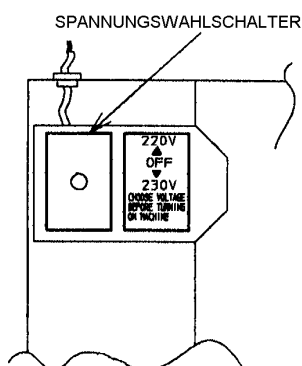
#### DIESES GERÄT MUSS GEERDET WERDEN.

Dieser Eisdispenser muß entsprechend den Elektroinstallationsvorschriften von Bund, Ländern und Gemeinden geerdet sein. Um einen starken Stromschlag oder beträchtlichen Sachschaden zu verhindern, ist der Cubeleisdispenser mit einem korrekten Erdungsleiter zu installieren. Den Netzstecker aus der Steckdose ziehen, ehe Wartungs-, Reparatur- oder Reinigungsarbeiten ausgeführt werden.

- Diese Eismaschine muß an ein separates Netzteil oder einen Stromanschluß mit der richtigen Bemessung angeschlossen werden. Vgl. Typenschild.
- Die Sicherungen im Hauptsteuerkasten sind für 10 A, 1 A und 0,5 A ausgelegt und sollten ausschließlich von einem qualifizierten Wartungstechniker ausgetauscht werden.
- Normalerweise sind für die Ausführung der Arbeiten eine elektrische Genehmigung und ein fachkundiger, qualifizierter Elektriker notwendig.
- Wenn Netzkabel und -stecker ersetzt werden müssen, sollte dies ausschließlich durch einen qualifizierten Wartungstechniker erfolgen.

## DCM-200F-GE – Spannungswahl

Der Spannungswahlschalter befindet sich auf der Innenseite in der Nähe der Anschlußdrähte für die Maschine. Die richtige Spannung **VOR** dem Anlegen von Strom an die Maschine wählen. Die nachstehende Tabelle zur Auswahl der richtigen Spannung heranziehen.



ÖRTLICHE SPANNUNG	SCHALTERWAHL
220V-1Ø-50Hz	220V
220V-1Ø-60Hz	
230V-1Ø-50Hz	230V
230V-1Ø-60Hz	

## 5a. WASSERVERSORGUNGS- UND ABFLUSSANSCHLÜSSE (DCM-230FE)

(Nur in GB: die Anschlüsse müssen den aktuellen Anforderungen der Model Water Byelaws 1986 SI No. 1147 entsprechen.)

- Für diesen Eisspender sollte ausschließlich Trinkwasser benutzt werden.
- Externe Filter, Siebe oder Kalkbehandlung können erforderlich sein, je nach Wasserqualität.
- Der Wasserversorgungsdruck sollte mindestens 0,5 Bar und höchstens 8 Bar betragen. Wenn der Druck 8 Bar überschreitet, ist ein Druckreduzierventil zu benutzen. Den Versorgungshahn NICHT zurückdrosseln.
- Ein Klempnerschein und die Dienste eines zugelassenen Klempners sind evtl. in einigen Gegenden erforderlich.
- Der Eisspender stützt sich auf Schwerkraftfluß, weshalb sicherzustellen ist, daß das Abflußrohr genügend Neigung oder Gefälle aufweist.
- Wasser sollte in einen offenen Abscheider abfließen.

- 1) Anhand eines geeigneten (Schrauben-) Schlüssels den Nippel 1/2-3/4 (Zubehör) an der 1/2 FPT-Armatur und die Nippel 3/4-3/4 (Zubehör) an den 3/4 FPT-Armaturen auf der Rückseite des Eisspenders lt. Angaben anziehen. PTFE-Band und/oder ein geeignetes Abdichtmittel sollte(n) zur Herstellung einer leckfreien Verbindung benutzt werden.

Hinweis: Dichtmasse sollte für die Trinkwasseranwendung zugelassen und geeignet sein.

- 2) Angewinkeltes Ende des weißen elastischen Zulaufschlauches (Zubehör) an freies Ende des Nippels 1/2-3/4 anbringen und sicherstellen, daß die Gummidichtungsscheibe richtig positioniert ist. Handfest anziehen, um eine leckfreie Verbindung zu gewährleisten.
- 3) Das andere Ende des Zulaufschlauches am Wasserhahn anbringen; dabei beachten, daß Dichtungsscheibe richtig positioniert ist, bevor wie oben handfest angezogen wird. Siehe Abb. 3b.
- 4) Graue elastische Ablaufschläuche (Zubehör) am freien Ende von Nippeln 3/4-3/4 anbringen, wobei der Sitz der Gummischeiben vor dem abschließenden Anziehen der Verbindungen von Hand bestätigt wird. Diese Rohre können – der Lage des Hauptabflusses entsprechend – abgelängt werden.

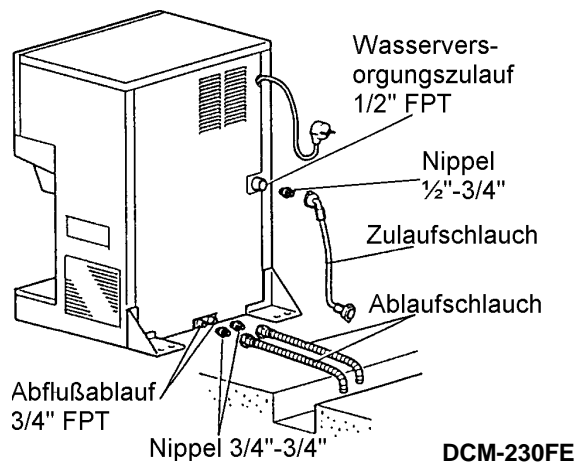


Abb. 3a

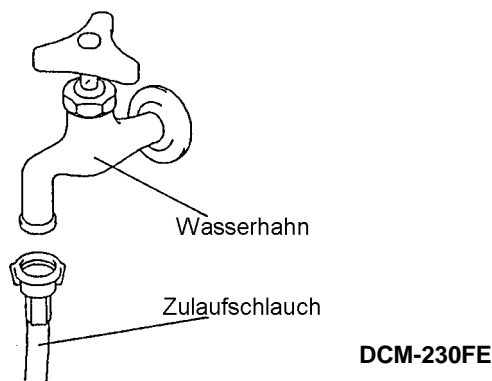
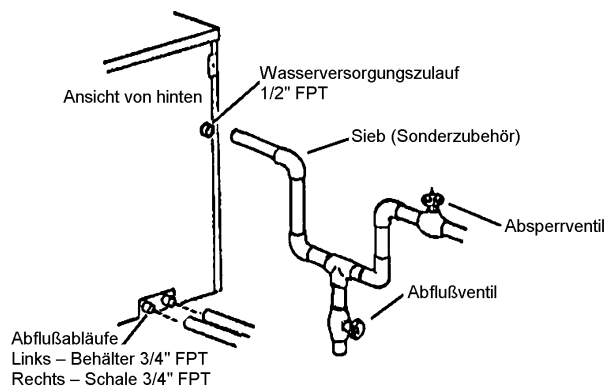


Abb. 3b

- Zwei Abflußabläufe sind 3/4" FPT.
- Die Abflüsse müssen 6,5 mm Gefälle pro 30,5 cm bei Horizontalverläufen aufweisen, um eine gute Strömung zu erlangen.
- Mehr als 5 cm Luftspalt zwischen Abflußrohrenden oder Schlauchenden und einem Bodenabfluß aufrechterhalten.
- Ein Klempnerschein und die Dienste eines zugelassenen Klempners sind evtl. in einigen Gegenden erforderlich.
- Ein Rückflußhemmer kann in einigen Gegenden erforderlich sein.
- Für diesen Eismacher wird lediglich kaltes Trinkwasser benutzt.



DCM-200F

Abb. 4

## 5b. WASSERVERSORGUNGSG-UND ABFLUSSANSCHLÜSSE (DCM-200F)

- Wasserversorgungszulauf erfolgt über 1/2" FPT (female pipe thread). Ein Sieb sollte mit unten befindlichem Reinigungsstopfen eingebaut werden. Das Sieb in der Wasserleitung positionieren, neben dem Eisspender, wobei der Pfeil am Sieb in die Wasserströmungsrichtung zeigt.

Hinweis: Ein Sieb (Teile-Code 311166A01) ist als Sonderzubehör erhältlich.

- Ein Wasserleitungs-Absperrventil und Abflußventil sollten eingebaut werden.
- Der Wasserversorgungsdruck sollte mindestens 0,5 Bar und höchstens 8 Bar betragen. Wenn der Druck 8 Bar überschreitet, ist ein Druckreduzier-ventil zu benutzen.

## 6. BETRIEB – So funktioniert dies

Wasser fließt aus einer Trinkwasserquelle durch den Hahn, gelangt in die Wasserzulaufarmatur und weiter zur Wasserversorgungsbaugruppe. Die Wasserversorgungsbaugruppe arbeitet daran, einen konstanten Wasserstand innerhalb der Gefrieranlagenbaugruppe aufrechtzuerhalten. Wasser von der Wasserversorgungsbaugruppe gelangt in den Boden der Gefrieranlage und wird durch wärmeaustauschendes Kältemittel aus der Verflüssigerbaugruppe in Eis verwandelt.

Eine Schnecke aus rostfreiem Stahl innerhalb der Gefrieranlage wird direkt vom Getriebemotor angetrieben, und die rotierende Schnecke befördert das Eis aufwärts zur Oberseite der Schnecke, wo überschüssiges Wasser aus dem Eis herausgepreßt wird, bevor es extrudiert und in Eiswürfel (verdichtetes Eis) zerstückelt und anschließend in den Eisspeicher-behälter geschoben wird.

Umlegen des Netzschalters am Steuerkasten in die Stellung „EIN“ startet den automatischen und ununterbrochenen Eisherstellungsprozeß. Wenn der Eisspeicherbehälter mit Eis gefüllt ist, unterbricht der oben im Speicherbehälter befindliche Behälterkontrollschalter den Eisherstellungsprozeß. Wenn das Eis aus dem Speicherbehälter entfernt wird, wird der Behälterkontrollschalter automatisch rückgesetzt und läßt den Eisherstellungsprozeß erneut anlaufen.

Umlegen des Ausgabemodus Schalters in die Stellung „PORTION“ bietet dem Benutzer einen portionsgesteuerten Modus, was zur Ausgabe einer bestimmten Menge Eis führt (siehe 8. „BEDIENELEMENTE UND EINSTELLUNG“), wenn die Drucktaste betätigt wird. Umlegen des Schalters in die Stellung „Continuous“ [ununterbrochen] ergibt einen ununterbrochenen Ausgabemodus, was zur Ausgabe von Eis bei Betätigung der Drucktaste führt.

Ein Rührmechanismus im Speicherbehälter sorgt für einen reibungslosen Eisfluß und verhindert die Bildung eines Eisblocks.

## 7. ANLAUFVERFAHREN

- 1) Die vier den vorderen Behälterdeckel sichernden Flügelschrauben entfernen. Den Speicherbehälter sauberwischen und/oder sterilisieren.
- 2) Prüfen, daß sich der Behälterkontrollschaltarm ungehindert bewegt.
- 3) Die Abdeckung wieder anbringen und anschrauben.
- 4) Den Netzschalter am Steuerkasten in die Stellung „EIN“ umlegen.
- 5) Die Ober-, Seiten- und Schurzplatten wieder einbauen.
- 6) Den Wasserhahn aufdrehen.
- 7) Die Stromversorgung einschalten.

### ACHTUNG

Sicherstellen, daß der unten links an der mittleren Frontplatte befindliche Eisherstellungsschalter in die Stellung „EIN“ umgelegt wird. Nachprüfen, daß das manuelle Abflußventil unten rechts an der mittleren Frontplatte geschlossen ist.

- 8) Prüfen, daß Wasser in die Wasserversorgungs- und Gefrieranlagenbaugruppen fließt:
  - Wasser fließt in den Behälter, durch das Wasserventil.
  - Wasser fließt unten in die Gefrieranlage, durch die Zuleitungsrohre.
  - Der Schwimmerschalter wird ausgelöst, um das Wasserventil zu schließen.
- 9) Die Wasserversorgungs- und Abflußanschlüsse auf Wasserlecks prüfen.
- 10) Nach Schließen des Wasserventils läuft der Getriebemotor zuerst an, dann der Kompressor, und schließlich beginnt der automatische und ununterbrochene Eisherstellungsprozeß.
- 11) Binnen weniger Minuten werden Eiswürfel in den Speicherbehälter extrudiert.
- 12) Nach 30minütigem Lauf auf ungewöhnliche Geräusche vom Kompressor, Gebläsemotor oder Getriebemotor prüfen.
- 13) Den unten an der mittleren Frontplatte befindlichen Portionssteuerschalter in die Stellung „PORTION“ oder „UNUNTERBROCHEN“ bringen.

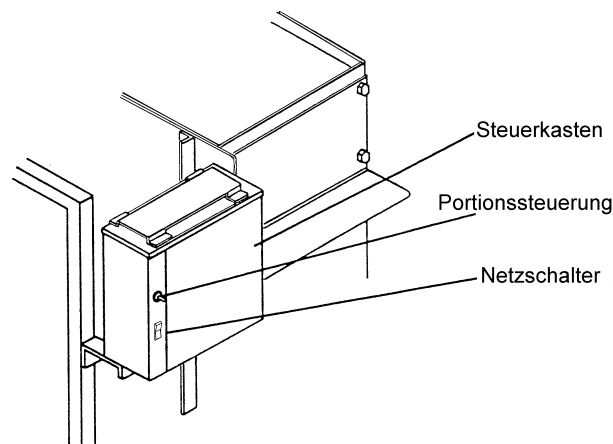


Abb. 5

- 14) Die Drucktaste betätigen, um Eis auszugeben, und der Ausgabemechanismus arbeitet.
- 15) Die Drucktaste betätigen, um Wasser auszugeben, und das Wasserventil wird geöffnet.

Ansicht von unten - mittlere Frontplatte

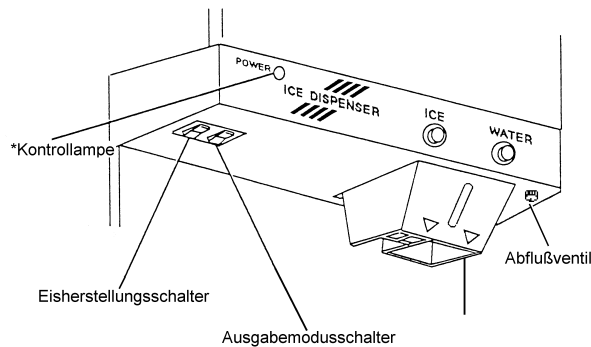


Abb. 6

### WICHTIG

1. Die Bedingungen und Qualität der Eisproduktion prüfen.
2. Kein beim Probelauf erzeugtes Eis benutzen. Es könnte mit Fremdkörpern im Wasserkreislauf verunreinigt sein. Wegwerfen oder im Abfluß wegspülen.

## 8. BEDIENELEMENTE UND EINSTELLUNG – Portionssteuerung

- Die Portionssteuerung befindet sich am Steuerkasten, um Eis in unterschiedlichen Mengen abzugeben. Falls Einstellung gewünscht wird, bitte die folgenden Richtlinien beachten und jegliche Einstellungen nachkontrollieren.
- Die Zahlen auf dem Schild geben die Ausgabezeit (Sek.) an.
- Es werden ca. 35 g Eis pro Sekunde ausgegeben.

Hinweis: Die Portionssteuerung wird werksseitig auf die minimale Ausgabezeit [0,6 Sek. – ca. 21 g] eingestellt.

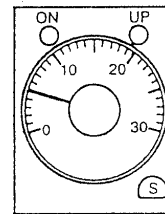


Abb. 7

- Die Frontplatte nach Abschluß von Einstellungen wieder anbringen.

## 9. ABSCHLIESSENDE PRÜFUNGEN

- 1) Sind alle Außenplatten befestigt und gesichert?
- 2) Sind alle Stützhalterungen eingebaut und gesichert?
- 3) Ist die Portionssteuerung den Kundenwünschen entsprechend eingestellt?
- 4) Wurde der Benutzer in der richtigen Benutzung unterwiesen?
- 5) Wurde die Bedienungs- und Installationsanleitungen dem Benutzer ausgehändigt?

## IMPORTANTE

1. Para llevar a cabo una instalación segura y correcta del producto, lea este libro cuidadosamente de antemano y siga las instrucciones contenidas en él.
2. Al finalizar la instalación, ponga en marcha el dispensador de hielo para comprobar irregularidades y facilite instrucciones al usuario sobre la forma de uso y mantenimiento del dispensador de acuerdo con el manual de instrucciones.
3. Este libro debe entregarse al usuario después de la instalación y el usuario debe guardarlo con el manual de instrucciones para las consultas posteriores que puedan ser necesarias.

## ADVERTENCIA

**Sólo deberá realizar la instalación el personal capacitado**, de conformidad con las normativas en vigor, y siguiendo las instrucciones del fabricante.

## 1. DESEMBALADO

### ADVERTENCIA

Mantener a los niños alejados de los componentes de embalaje (bolsas de plástico y poliestireno estirado) ya que pueden ser posibles fuentes de peligro.

### PRECAUCION

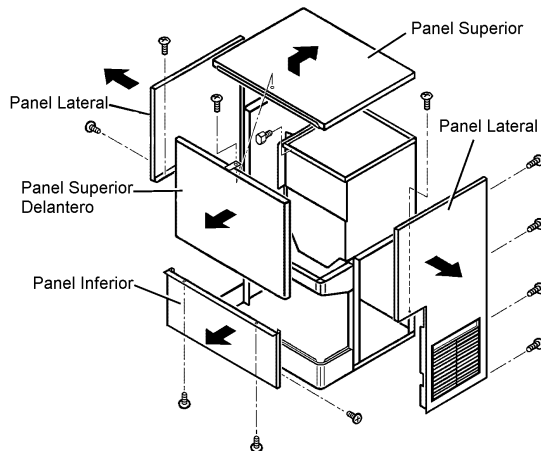
Retirar el cartón de embalaje, cinta(s) y empaquetado, si los materiales de embalaje se dejan dentro del dispensador, no funcionará correctamente.

- 1) Tras retirar el embalaje, asegúrese de que el dispensador de hielo se encuentra en buenas condiciones. En caso de duda, no utilice el equipo y acuda al personal profesional cualificado.
- 2) Retirar los paneles Superior Delantero, Superior y Laterales para evitar cualquier daño durante la instalación del dispensador de hielo. Ver Fig. 1
- 3) Retirar el paquete de accesorios, y revisar el contenido:
  - a) Juego de Instalación (DCM-230FE solamente)
 

Tubería de Entrada	1
Tubería de Salida	2
Boquilla de 1/2-3/4	1
Boquilla de 3/4-3/4	2

- |                                     |   |
|-------------------------------------|---|
| b) Abrazadera (DCM-230FE solamente) | 2 |
| c) Fusible                          | 3 |

- 4) Revisar los fusibles de recambio de 10A, 1A y 0,5A
- 5) Retirar la película de plástico protectora de los paneles. Si el dispensador de hielo está expuesto al sol o calor, retirar la película una vez que se enfríe el dispensador de hielo.



- Panel Superior Delantero:** Retirar los tornillos. Tirar del fondo hacia delante.
- Panel Superior:** Retirar el tornillo de mariposa. Levantar y retirar la parte delantera
- Panel Inferior/Lateral:** Retirar los tornillos y tirar hacia delante

Fig. 1

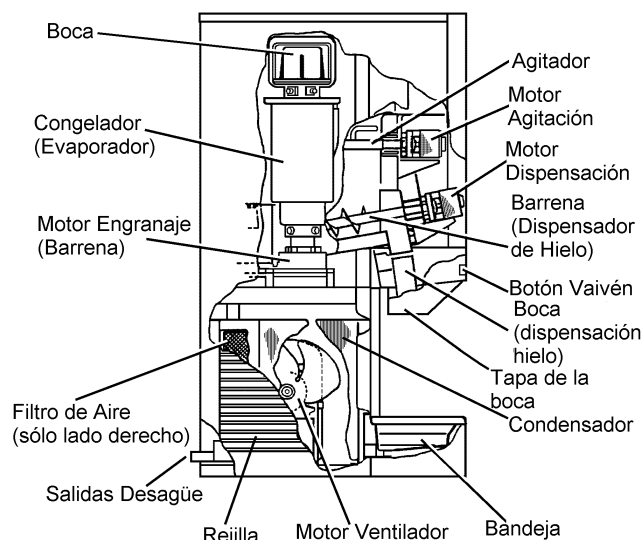


Fig. 2

## 2. UBICACIÓN

### IMPORTANTE

1. Este dispensador de hielo no está diseñado para su uso en exteriores. La temperatura ambiente normal de funcionamiento debe estar entre +7 °C y +40 °C. La temperatura normal de funcionamiento del agua debe ser entre +7 °C y + 35 °C. El funcionamiento del dispensador durante prolongados periodos de tiempo fuera de estas condiciones normales de temperatura puede afectar la capacidad de producción.
2. El dispensador de hielo no se debe situar cerca de hornos, parrillas u otros equipos de producción de calor.
3. El lugar de instalación debe ser firme y nivelada para el equipo a una altura normal de encimera.
4. Deje 15 cm de separación por las partes trasera, laterales y superior para obtener una circulación de aire apropiada y para facilitar los trabajos de mantenimiento y servicio cuando sean necesarios.
5. Este aparato no es apropiado para su instalación en áreas donde se puedan utilizar chorros de agua o donde no esté autorizado que existan goteos.
6. No colocar nada encima del dispensador de hielo o enfrente de la rejilla.

## 3. INSTALACION

- La instalación incorrecta puede lesionar a otras personas, animales o cosas, de lo que el fabricante no se puede hacer responsable
- 1) Colocar el dispensador de hielo en el lugar permanente seleccionado
  - 2) Nivelar el dispensador de hielo en las dos direcciones, de izquierda a derecha y de delante a atrás.
  - 3) Instalar las dos abrazaderas en la parte trasera del dispensador (una a cada lado).
  - 4) Instalar las abrazaderas en la superficie de la encimera con 4 tornillos adecuados (no suministrados)

Nota: Las abrazaderas tienen como fin asegurar que el dispensador no se puede vencer hacia delante ni mover durante el uso.

## 4. CONEXIÓN ELÉCTRICA

### ADVERTENCIA

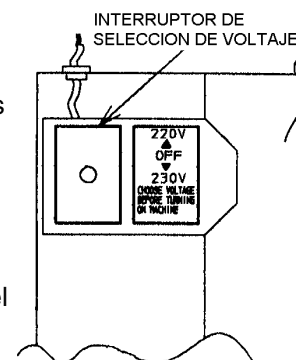
#### ESTE APARATO SE DEBE CONECTAR A TIERRA

Este dispensador de hielo necesita una conexión a tierra que cumpla con las normativas del código de electricidad nacional y local. Para evitar la posible descarga eléctrica severa a personas, o gran daño al equipo, instalar un cable a tierra adecuado en el dispensador de hielo. Retirar el enchufe de la corriente antes de realizar cualquier mantenimiento, reparación o limpieza.

- Este dispensador de hielo debe disponer de una toma independiente de energía eléctrica o una caja de contacto individual de la capacidad apropiada. Lea la placa de características.
- Los fusibles de la caja principal de control son de potencia 10A, 1A y 0,05A y sólo los deberá cambiar un electricista capacitado.
- Normalmente se recurre al permiso eléctrico y servicios de un electricista autorizado.
- Si fuera necesario cambiar el cordón eléctrico y el enchufe, sólo lo deberá hacer un técnico de servicio capacitado.

### Selección de Voltaje en el DCM200F-GE

El Interruptor de Selección de Voltaje está situado dentro y cerca de los cables de conexión para la máquina. Seleccionar el voltaje adecuado **ANTES** de conectar la corriente a la máquina. Usar el cuadro siguiente para seleccionar el voltaje correcto.



ESPEC. DE VOLTAJE LOCAL	SELECCION DE INTERRUPTOR
220V-1Ø-50Hz	220V
220V-1Ø-60Hz	
230V-1Ø-50Hz	230V
230V-1Ø-60Hz	

## 5a. ENTRADA DE AGUA Y CONEXIONES DE DESAGÜE (DCM-230FE)

(En el Reino Unido solamente, las conexiones deben cumplir con las normativas en vigor de los reglamentos en materia de Modelo de Agua de 1986 SI N° 1147)

- En este dispensador de hielo sólo se debe usar agua potable
  - Pueden ser necesarios filtros externos, depuradores o tratamiento contra la ca, según la calidad del agua.
  - La presión de entrada de agua debe tener un mínimo de 0,5 bares y un máximo de 8 bares. Si la presión excede los 8 bares, se debe instalar una válvula reductora de presión. **NO** permitir la contrapresión de la entrada de agua.
  - En algunas zonas pueden ser necesarios un permiso de fontanería y los servicios de un fontanero capacitado.
  - El desagüe del dispensador de hielo es por gravedad, por lo que se debe comprobar que la tubería de desagüe tiene una inclinación o caída adecuada.
  - El agua deberá desaguar en un colector abierto.
- 1) Con una llave inglesa o de tuerca adecuada, apretar la boquilla (accesorio) 1/2-3/4 en el accesorio de 1/2 FTP y las boquillas de 3/4-3/4 (auxiliares) en los accesorios de 3/4 FTP en la parte trasera del dispensador de hielo como se indica. Se deberá usar cinta P.T.F.E. y/o un compuesto sellador adecuado para obtener una unión sin goteras.

Nota: Los compuestos para uniones deberán estar aprobados y ser adecuados para el uso con agua potable.

- 2) Instalar un extremo en codo de tubería de entrada flexible (accesorio) al extremo libre de la boquilla de 1/2-3/4 comprobando que la arandela de junta de goma está colocada correctamente. Apretar con la mano lo suficiente para ofrecer una unión impermeable.
- 3) Instalar el otro extremo de la tubería de entrada al grifo de agua, comprobando que la arandela está colocada correctamente antes de apretar con la mano según se indica anteriormente. Ver Fig. 3b

- 4) Instalar tuberías de salida flexibles grises (accesorio) al extremo libre de las boquillas de 3/4-3/4, comprobando que la arandela está colocada correctamente antes de apretar con la mano según se indica antes. Se puede cortar el largo necesario de estas boquillas para adaptarse a la posición del desagüe general.

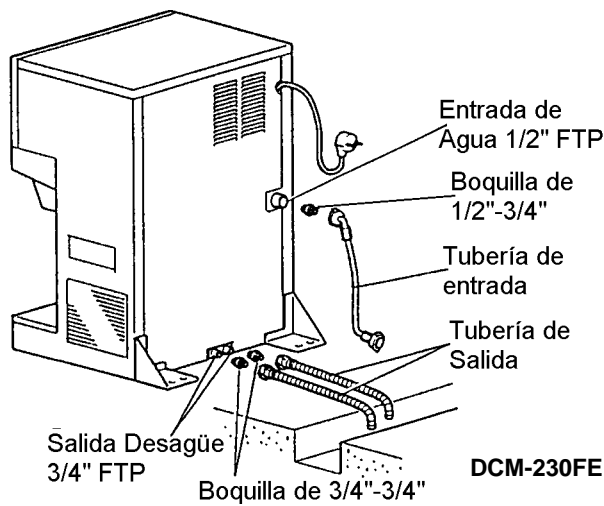


Fig. 3a

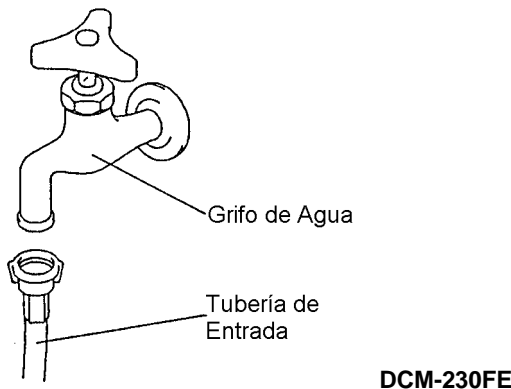


Fig. 3b

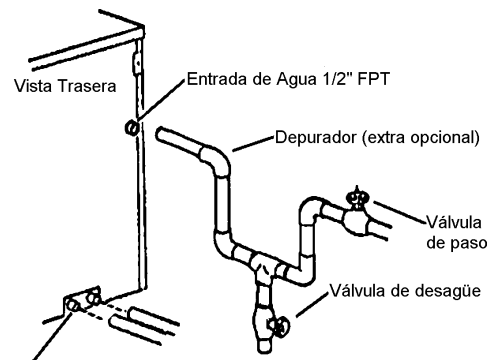
### 5b. ENTRADA DE AGUA Y CONEXIONES DE DESAGÜE (DCM-200F)

- La tubería de entrada de agua es una tubería hembra de 1/2" de rosca (FPT). Se deberá instalar un depurador con el tapón de agua limpia hacia abajo. Situar el depurador en la tubería de entrada de agua, junto al dispensador de agua con la flecha en el depurador en dirección del caudal de agua.

Nota: La Pieza de Depurador con código 311166A01 es una opción extra.

- Se deberá instalar una válvula de paso y de desagüe en la entrada de agua.

- La presión de entrada de agua debe tener un mínimo de 0,5 bares y un máximo de 8 bares. Si la presión excede los 8 bares, instalar una válvula reductora de presión.
- Dos salidas de desagüe son tuberías hembras con rosca de 3/4" (FPT).
- Los desagües deben tener una caída de 6,5mm por cada 30,5cmts. de recorrido horizontal para tener un buen caudal.
- Mantener un espacio de aire de más de 5cmts. entre los extremos de la tubería de desagüe o extremos de la tubería y el desagüe en el suelo.
- En algunas zonas pueden ser necesarios un permiso de fontanería y los servicios de un fontanero capacitado.
- En algunas zonas puede ser necesario un dispositivo para evitar la contracorriente.
- Sólo se deberá usar agua potable en este fabricante de hielo.



DCM-200F

Fig. 4

### 6. OPERACION - Cómo funciona

El agua entra de una acometida de agua potable por el grifo, entra en el accesorio de agua y en la Unidad de Acometida de Agua. La Unidad de Acometida de Agua funciona para mantener un nivel de agua constante dentro de la Unidad del Congelador. El agua de la Unidad de Acometida de Agua entra en el fondo del congelador y se convierte en hielo por el refrigerante de intercambio de calor de la Unidad de Condensación.

Una barrena de acero inoxidable dentro del Congelador está dirigida directamente por el Motor de Engranaje, y la Barrena rotativa empuja el hielo hacia arriba hasta la parte superior de la Barrena, donde se extrae el exceso de agua del hielo, antes de extruir y convertirse en cubitos de hielo (hielo comprimido) y se empuja a la Cubeta de Almacén.

Al mover el Interruptor de Potencia en la Caja de Control a la posición "CONECTADO" inicia el proceso automático y continuo de fabricación de hielo. Cuando la cubeta se llena de hielo, el Interruptor de Control de la Cubeta, situado encima de la Cubeta de Almacén, cierra el proceso de fabricación de hielo. Al sacar hielo de la cubeta, el Interruptor de Control de la Cubeta restablece automáticamente el proceso de fabricación de hielo.

Al mover el Interruptor de Modo de Dispensación a la posición "PORCION", ofrece al usuario un modo controlador de porción, cuando se dispensa cierta cantidad de hielo (Ver "8. CONTROLES Y AJUSTE") al apretar el botón de Vaivén. Al mover el interruptor a la posición "Continua", establece un modo de dispensación continuo, con lo que se dispensa hielo mientras se aprieta el botón de vaivén.

Un mecanismo agitador en la Cubeta de Almacén funciona para suavizar el caudal de hielo y evitar la formación de bloque de hielo.

## 7. PROCEDIMIENTO DE INICIO

- 1) Retirar los cuatro tornillos de palomilla en la Tapa Delantera de la Cubeta. Limpiar y/o sanear esta Cubeta.
- 2) Comprobar que el brazo del Interruptor de Control de la Cubeta se mueve fácilmente.
- 3) Reponer la tapa y atornillar.
- 4) Mover el Interruptor de Potencia en la Caja de Control a la posición "CONECTADO".
- 5) Reponer los Paneles Superior, Lateral e Inferior.
- 6) Abrir el grifo de agua.
- 7) Conectar la corriente.

### PRECAUCION

Comprobar que el Interruptor de Fabricación de Hielo, situado al fondo izquierdo del Panel Delantero Central, está en la posición "CONECTADO". Comprobar que la Válvula de Desagüe Manual al fondo derecho del Panel Delantero Central está cerrada.

- 8) Comprobar que el agua entra en las Unidades de Agua y de Congelador:
  - El agua entra en el Depósito por la Válvula de Agua.
  - El agua entra en el fondo del Congelador por la Tubería de Alimentación
  - El Interruptor Flotante se conecta para cerrar la Válvula de Agua.
- 9) Revisar si hay goteras en la entrada de agua y en las conexiones de desagüe.
- 10) Una vez cerrada la Válvula de Agua, el Motor de Engranaje se pone en marcha primero, después el Compresor, y finalmente da comienzo el proceso de fabricación de hielo.
- 11) Al cabo de unos minutos, salen los cubitos de hielo a la Cubeta de Almacén.
- 12) Al cabo de 30 minutos de operación revisar el ruido anormal del Compresor, Motor del Ventilador o Motor de Engranaje.
- 13) Mover el Interruptor del Control de Porción, situado al fondo del Panel Delantero Central, a la posición "PORCION" o "CONTINUO".

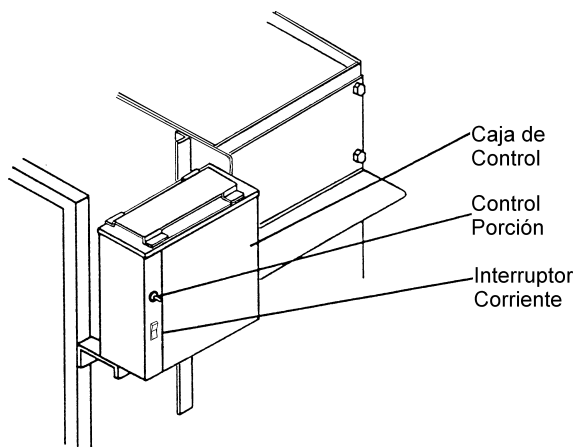


Fig. 5

14) Apretar el Botón de Vaivén para dispensar hielo, y se pondrá en operación el mecanismo de dispensación.

15) Apretar el Botón de Vaivén para dispensar agua, y se abrirá la Válvula de Agua.

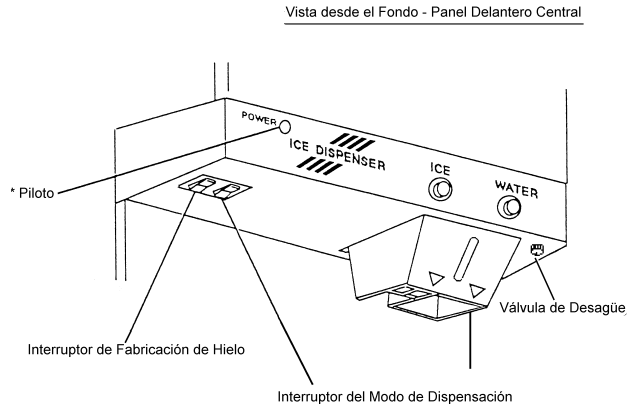


Fig. 6

**— IMPORTANTE —**

1. Revisar las condiciones y calidad de la producción de hielo
2. No usar hielo producido durante la prueba. Podría estar contaminado con materia extraña en el circuito del agua. Tirar o echar por el desagüe.

**8. CONTROLES Y AJUSTE - Control Porción**

- El Control de Porción está situado en la Caja de Control para ofrecer cantidades variables de hielo dispensado. Si es necesario el ajuste, se deberá tomar nota de lo siguiente y revisar siempre después de cualquier ajuste.
- Los números en la etiqueta indican el tiempo de dispensación (segundos).
- Se dispensa aproximadamente 35gms. de hielo por segundo.

Nota: el control de Porción está ajustado en fábrica en el tiempo mínimo de dispensación [0,6 segundos. (Aproximadamente 21gms)].

- Reponer el Panel Delantero una vez terminados los ajustes.

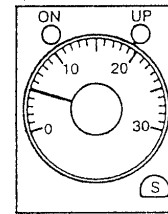


Fig. 7

**9. REVISIONES FINALES**

- 1) ¿Están todos los paneles exteriores fijos o sujetos?
- 2) ¿Están todas las abrazaderas instaladas y sujetas?
- 3) ¿Está el Control de Porción ajustado a las necesidades del cliente?
- 4) ¿Ha sido instruido el usuario sobre el uso correcto?
- 5) ¿Se han entregado los manuales de instrucciones e instalación al usuario?

**IMPORTANT**

1. Pour effectuer l'installation du produit comme il convient, et en toute sécurité, veuillez lire attentivement la présente notice et suivre les instructions qu'elle contient.
2. Après installation, mettre le distributeur en marche pour dépister tout défaut de fonctionnement éventuel, et indiquer à l'utilisateur la façon de se servir et d'entretenir son appareil conformément à la notice d'instructions.
3. La présente notice doit être remise à l'utilisateur après installation et celui-ci la conservera avec la notice d'instructions pour toute consultation ultérieure éventuelle.

**AVERTISSEMENT**

L'installation doit être effectuée par du personnel qualifié, en respectant les réglementations en vigueur et en suivant les consignes du fabricant.

**1. DEBALLAGE**

**AVERTISSEMENT**

Les enfants doivent être tenus à l'écart de tous les éléments d'emballage (sacs en plastique et polystyrène expansé) car ils sont potentiellement dangereux.

**ATTENTION**

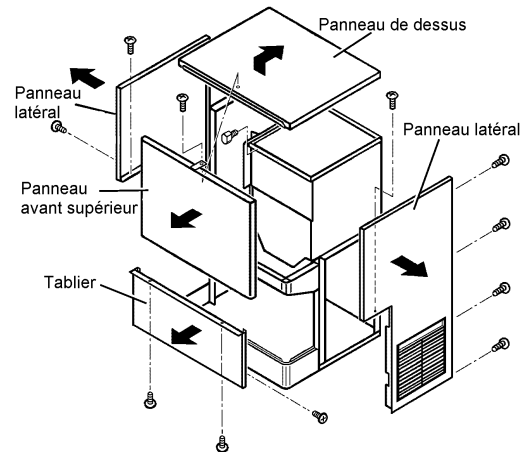
Enlevez le carton d'emballage, le(s) ruban(s) et les matériaux d'emballage. S'il reste des matériaux d'emballage dans le distributeur, enlevez-les pour ne pas entraver son fonctionnement.

- 1) Après avoir déposé l'emballage, assurez-vous que l'appareil soit en bon état. En cas de doute, ne pas utiliser l'équipement mais s'adresser directement au personnel professionnellement qualifié.
- 2) Déposez les panneaux avant supérieur, de dessus et latéraux pour éviter de les endommager pendant l'installation du distributeur. Voir figure 1.
- 3) Enlevez l'ensemble d'accessoires, et vérifiez le contenu :
  - a) Guide d'installation (DCM-230FE seulement)
 

Tuyau flexible d'arrivée	1
Tuyau flexible de sortie	2
Manchon fileté 1/2 - 3/4	1
Manchon fileté 3/4 - 3/4	2

- b) Patte (DCM-230FE seulement) 2
- c) Fusible 3

- 4) Vérifiez la présence des fusibles de rechange 10A, 1A et 0.5A.
- 5) Enlevez la feuille de plastique protectrice des panneaux. Si le distributeur de cubelets a été exposé au soleil ou à la chaleur, retirez la feuille après refroidissement du distributeur.



- Panneau avant supérieur : Retirez les vis. Tirez le bas vers vous.
- Panneau de dessus : Retirez la vis moletée. Soulevez l'avant et poussez pour faire sortir l'ensemble.
- Tablier/panneau latéral : Retirez les vis et tirez vers vous.

Fig. 1

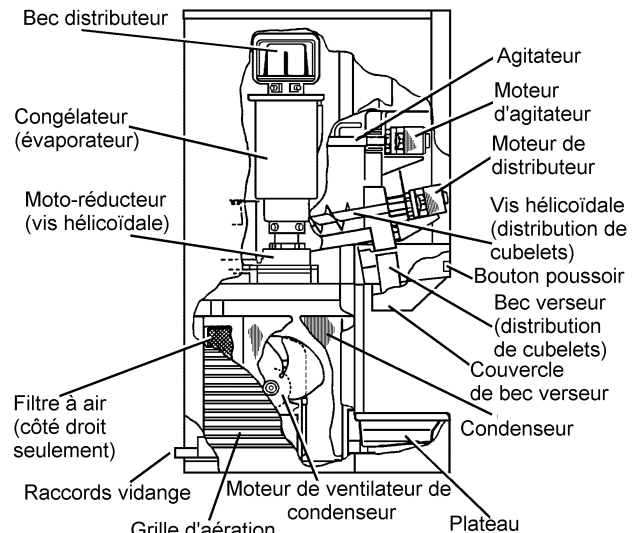


Fig. 2

## 2. EMBLACEMENT

### IMPORTANT

1. Ce distributeur n'est pas prévu pour être utilisé à l'extérieur. La température ambiante normale de son fonctionnement doit être comprise entre + 7° C et + 40° C. La température normale de l'eau de service doit être comprise entre + 7 ° C et + 35° C. Si le distributeur fonctionne pendant des périodes prolongées, en dehors de ces températures normales, cela peut influencer sa capacité de production.
2. Le distributeur ne doit pas être positionné à côté de fours, grills ou autres équipements produisant de la chaleur.
3. L'emplacement doit comprendre une fondation ferme et de niveau pour l'équipement, de façon à le positionner à la hauteur normale du haut de comptoir.
4. Il faut laisser un dégagement de 15 cm à l'arrière, sur les côtés et sur le dessus pour une bonne circulation de l'air et pour faciliter les opérations de maintenance et/ou de réparation éventuellement nécessaires.
5. Cet appareil ne doit pas être installé dans un endroit où un jet d'eau pourrait être utilisé, car il n'est pas étanche à l'arrosage.
6. Ne placez rien en haut du distributeur, ni devant la grille d'aération.

## 3. INSTALLATION

Une installation incorrecte peut entraîner des dommages ou accidents pour lesquels le fabricant ne peut pas être tenu responsable.

- 1) Positionnez le distributeur de cubelets à l'emplacement permanent choisi.
- 2) Placez le distributeur de cubelets dans une position parfaitement horizontale de gauche à droite et d'avant en arrière.
- 3) Fixez les deux pattes de support en bas et à l'arrière du distributeur (une de chaque côté).
- 4) Fixez les pattes à la surface de comptoir en utilisant quatre vis appropriées (non fourni).

NB : Les pattes servent à empêcher le soulèvement ou le déplacement du distributeur pendant son utilisation.

## 4. RACCORDEMENTS ELECTRIQUES

### AVERTISSEMENT

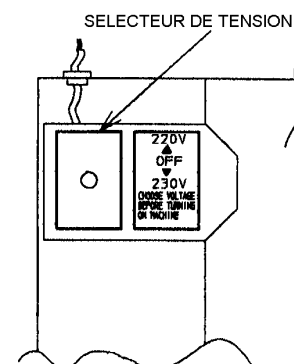
#### CET APPAREIL DOIT ETRE MIS A LA TERRE

Le distributeur doit avoir une terre qui respecte les réglementations électriques nationales et locales. Pour éviter tout risque d'électrocution grave ou de détérioration importante du matériel, reliez au distributeur un fil de terre adéquat. Avant d'entreprendre n'importe quelle opération d'entretien, de réparation ou de nettoyage, débranchez le cordon d'alimentation du secteur.

- Ce distributeur doit être alimenté séparément. Voir la plaque du constructeur. Il est recommandé d'avoir un circuit d'alimentation secteur propre à cet appareil.
- Les fusibles de la boîte de commande principale sont calibrés à 10A, 1A et 0,5A et ne doivent être remplacés que par un ingénieur d'entretien qualifié.
- Il faut généralement obtenir une autorisation pour effectuer l'installation électrique, et recourir aux services d'un électricien qualifié.
- S'il est nécessaire de remplacer le cordon d'alimentation et la prise, cela ne doit être fait que par un ingénieur d'entretien qualifié.

#### Sélection de la tension du DCM-200F-GE

Le sélecteur de tension se trouve à l'intérieur, près des fils de raccordement de la machine. Sélectionnez la tension appropriée **AVANT** d'appliquer la tension à la machine. Utilisez le tableau suivant pour choisir la tension qui convient.



TENSION SECTEUR NOMINALE

SELECTEUR

220V-1ϕ-50Hz	220V
220V-1ϕ-60Hz	
230V-1ϕ-50Hz	230V
230V-1ϕ-60Hz	

## 5a. RACCORDEMENTS D'ALIMENTATION D'EAU ET DE VIDANGE (DCM-230FE)

(Pour le Royaume-Uni seulement, les raccordements doivent être conformes aux réglementations actuelles de la loi Model 1986 SI N°1147).

- Il ne faudra utiliser pour ce distributeur de cubelets que de l'eau potable.
  - Des filtres extérieurs, filtres métalliques ou dispositifs de détartrage, peuvent s'avérer nécessaires, selon la qualité de l'eau locale.
  - La pression d'alimentation d'eau doit être au minimum de 0.5 bars et au maximum de 8 bars. Si la pression dépasse 8 bars, utilisez une vanne réductrice de pression. La pression NE DOIT PAS être réduite au moyen du robinet d'alimentation.
  - Dans certaines régions, les services et le certificat de conformité d'un plombier agréé peuvent être requis.
  - La vidange du distributeur de cubelets se fait par gravité, et il faut donc s'assurer que le tuyau de vidange ait une pente adéquate.
  - L'eau doit se vidanger dans un regard ou rigole d'évacuation ouverts.
- 1) Au moyen d'une clef appropriée, serrez le manchon fileté  $\frac{1}{2}$  -  $\frac{3}{4}$  « (accessoire) dans le raccord  $\frac{1}{2}$  FTP et les manchons filetés  $\frac{3}{4}$  -  $\frac{3}{4}$  « (accessoires) dans les raccords  $\frac{3}{4}$  FTP à l'arrière du distributeur de cubelets, comme indiqué. On utilisera du ruban PTFE et/ou une pâte d'étanchéité appropriée pour obtenir un joint étanche.

NB :Les pâtes à joint doivent être d'un type agréé et convenant à l'utilisation en eau potable.

- 2) Fixez l'extrémité coudée du tuyau flexible d'entrée (accessoires) sur l'extrémité libre du manchon fileté  $\frac{1}{2}$  -  $\frac{3}{4}$  «, en s'assurant que la rondelle d'étanchéité en caoutchouc soit correctement positionnée. Serrez suffisamment à la main pour établir un joint sans fuite.

- 3) Attachez l'autre extrémité du tuyau flexible d'entrée au robinet d'eau, en vérifiant que la rondelle d'étanchéité soit bien positionnée avant de serrer à la main comme ci-dessus. Voir figure 3b.
- 4) Raccordez les tuyaux flexibles gris de sortie (accessoires) aux extrémités libres des manchons filetés  $\frac{3}{4}$  -  $\frac{3}{4}$ , en vérifiant la position des rondelles en caoutchouc avant de serrer finalement les raccords à la main. Ces conduites peuvent être coupées à la longueur comme nécessaire afin de se rapporter à la position de l'évacuation principale.

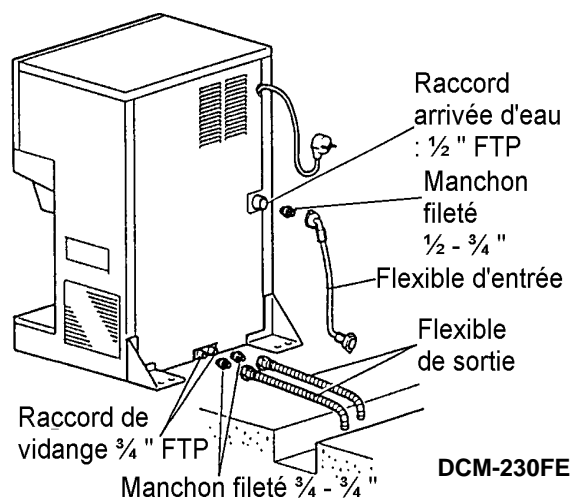
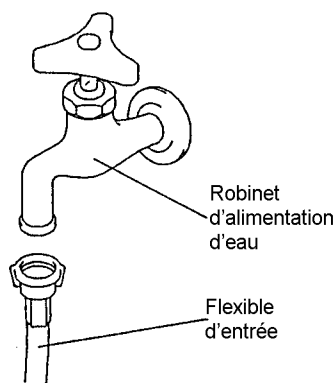


Fig. 3a



DCM-230FE

Fig. 3b

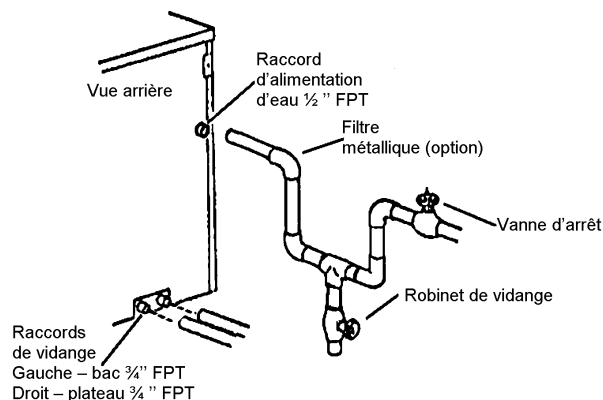
## 5b. RACCORDEMENTS D'ALIMENTATION D'EAU ET DE VIDANGE (DCM-200F)

- Le raccord d'entrée d'eau d'alimentation est à filetage femelle  $\frac{1}{2}$ » (FPT). Il est conseillé d'installer un filtre avec le bouchon de nettoyage orienté vers le bas. Positionnez le filtre dans la conduite d'alimentation d'eau, à côté du distributeur de cubelets, la flèche du filtre étant dans le sens de l'écoulement de l'eau.

NB : Le filtre pièce code 311166A01 est en option.

- Il convient d'installer une vanne d'arrêt sur la conduite d'alimentation d'eau et une vanne de vidange.

- La pression d'alimentation d'eau doit être au minimum de 0.5 bar et au maximum de 8 bars. Si la pression dépasse 8 bars, utilisez une vanne réductrice de pression.
- Les deux raccords de vidange sont à filetage femelle  $\frac{3}{4}$  » (FPT).
- Les vidanges doivent avoir 6,5 mm de pente pour 30,5 cm sur les longueurs horizontales afin d'obtenir un bon écoulement.
- Conservez un dégagement libre de plus de 5 cm entre les extrémités des tuyaux flexibles ou conduites de vidange et le regard ou la rigole d'évacuation.
- Dans certains pays, les services et le certificat de conformité d'un plombier agréé peuvent être nécessaires.
- Dans certaines régions, un dispositif anti-retour peut être requis.
- Seule de l'eau potable froide sera utilisée pour ce distributeur.



DCM-200F

Fig. 4

## 6. MODE DE FONCTIONNEMENT

L'eau provenant d'une source d'eau potable arrive par le robinet, entre au niveau du raccord d'entrée d'eau dans l'ensemble d'alimentation d'eau. L'ensemble d'alimentation d'eau fonctionne pour maintenir un niveau d'eau constant à l'intérieur du bloc congélateur. L'eau provenant de l'ensemble d'alimentation d'eau entre en bas du congélateur et se transforme en glace sous l'action d'un réfrigérant provenant du bloc condenseur. Une vis hélicoïdale en acier inoxydable, qui se trouve

à l'intérieur du congélateur, est directement entraînée par le moto-réducteur, et la vis hélicoïdale en rotation fait remonter les cubelets jusqu'en haut de la vis, l'excédent d'eau se trouvant extrait de la glace, avant que celle-ci soit évacuée et cassée en petits cubes (glace comprimée) puis refoulée dans le bac de stockage de glace.

Quand on met le commutateur de la boîte de commande en position 'MARCHE', cela met en marche le processus de fabrication automatique et continue de la glace. Quand le bac de stockage de glace est rempli de glace, le contact de contrôle du bac, qui se trouve en haut du bac de stockage, arrête le processus de fabrication de glace. Quand on a enlevé une certaine quantité de glace du bac de stockage, le contact de contrôle de bac se réenclenche automatiquement et redémarre le processus de fabrication de glace.

Quand on met le commutateur de mode de distribution en position 'PORTIONS', cela donne à l'utilisateur la possibilité d'utiliser le mode de distribution par portions, qui donne une certaine quantité de glace (voir 8. COMMANDES ET REGLAGES) quand on appuie sur le bouton-poussoir. Quand on met le commutateur sur la position 'continue', cela donne un mode de distribution continue, et la glace est distribuée pendant tout le temps que l'on appuie sur le bouton-poussoir.

Dans le bac de stockage, un mécanisme agitateur peut être mis en marche pour obtenir un débit régulier de glace pour empêcher la formation d'un bloc de glace.

## 7. METHODE DE MISE EN MARCHÉ

- 1) Déposez les 4 vis moletées fixant le couvercle de bac avant. Essayez et/ou désinfectez le bac de stockage.
- 2) Vérifiez que le bras du contact de contrôle de bac se déplace librement.
- 3) Remontez le couvercle et les vis.
- 4) Remontez le commutateur de la boîte de commande sur la position 'MARCHE'.
- 5) Remontez les panneaux de dessus, panneaux latéraux et tablier.
- 6) Ouvrez le robinet d'alimentation d'eau.
- 7) Etablissez l'alimentation secteur.

### AVERTISSEMENT

Assurez-vous que le contact de fabrication de glace, situé à gauche, sous le panneau avant du milieu, a été mis en position 'marche'. Vérifiez que la vanne de vidange manuelle située à droite, sous le panneau avant du milieu soit fermée.

- 8) Vérifiez que l'eau s'écoule dans les blocs d'alimentation d'eau et de congélation :
  - que l'eau s'écoule dans le réservoir par la vanne d'eau
  - que l'eau s'écoule dans le bas du congélateur, par le tube d'alimentation
  - que le contact à flotteur se déclenche pour fermer la vanne d'eau.
- 9) Vérifiez qu'il n'y a pas de fuite dans les raccords d'alimentation d'eau et de vidange.
- 10) Quand la vanne d'eau se ferme, c'est le moto-réducteur qui se met d'abord en marche, puis le compresseur, et finalement le processus automatique et continu de fabrication de glace.
- 11) Quelques minutes après, la glace sous forme de cubelets est extrudée dans le bac de stockage.
- 12) Vérifiez qu'il n'y ait pas de bruits anormaux dans le compresseur, le moteur de ventilateur, ou le moto-réducteur après 30 minutes de fonctionnement.
- 13) Mettez le contact de commande des portions qui se trouve en bas du panneau avant du milieu, en position 'portion' ou 'continu'.

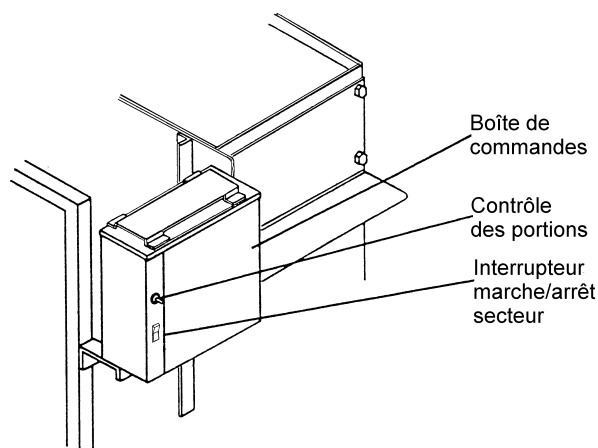


Fig. 5

14) Appuyez sur le bouton-poussoir pour distribuer de la glace, et le mécanisme de distribution fonctionnera.

15) Appuyez sur le bouton-poussoir pour distribuer de l'eau, et la vanne d'eau s'ouvrira.

Vue d'en bas - panneau avant du milieu

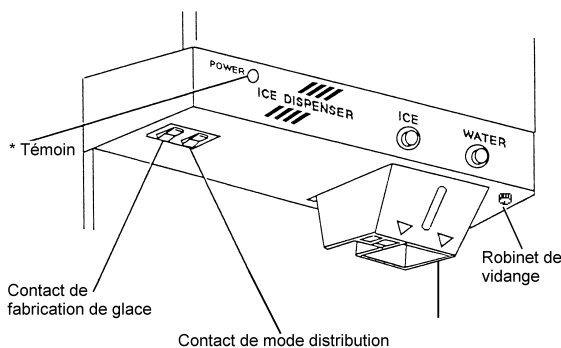


Fig. 6

### IMPORTANT

1. Vérifiez la qualité et les conditions de fabrication de la glace.
2. N'utilisez pas de glace produite dans la période d'essai. Celle-ci peut se trouver polluée par des particules dans le circuit d'eau. Jetez ou évacuez dans le réseau d'évacuation.

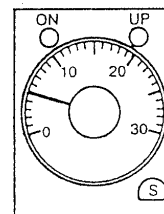


Fig. 7

## 9. VERIFICATIONS FINALES

- 1) Tous les panneaux extérieurs sont-ils bien fixés ?
- 2) Toutes les pattes de support sont-elles bien fixées ?
- 3) La commande de portions est-elle réglée selon les besoins des clients ?
- 4) L'utilisateur a-t-il reçu des instructions sur l'utilisation correcte ?
- 5) Les manuels d'instruction et d'installation ont-ils été remis à l'utilisateur ?

## 8. COMMANDES ET REGLAGES – Commande des portions

- La commande des portions se trouve sur la boîte de commande ; elle est conçue pour fournir une distribution de quantités variables de glace. Si un réglage est souhaité, veuillez noter les indications suivantes et toujours vérifier après tout réglage.
- Les numéros de l'étiquette indiquent le temps de distribution (en secondes).
- On obtient une distribution d'environ 35 grammes de glace par seconde.

NB : La commande des portions est réglée en usine au temps de distribution minimum [0,6 seconde (environ 21 grammes)].

- Après les réglages, remontez le panneau de devant.

**IMPORTANTE**

1. Per un'installazione sicura e affidabile del prodotto, leggere prima attentamente questo opuscolo e seguire le istruzioni in esso contenute.
2. Una volta completata l'installazione, avviare la macchina per controllare che non presenti anomalie e istruire l'utente sull'uso e la manutenzione della macchina secondo quanto previsto dal manuale di istruzione.
3. Ad installazione avvenuta, consegnare questo opuscolo all'utente che dovrà conservarlo unitamente al manuale di istruzione per eventuali riferimenti futuri.

**AVVERTENZA**

**L'installazione deve essere eseguita da personale qualificato**, in ottemperanza alle norme vigenti e secondo le indicazioni del fabbricante.

**1. DISIMBALLAGGIO**

**AVVERTENZA**

Tenere i bambini lontano dai componenti dell'imballo (sacchetti di plastica e polistirolo espanso) poiché costituiscono potenziali fonti di pericolo.

**ATTENZIONE**

Rimuovere il cartone di imballaggio, il nastro adesivo e l'involucro. Il distributore non può funzionare se al suo interno sono presenti residui del materiale di imballaggio.

- 1) Dopo aver rimosso l'imballaggio, assicurarsi che la macchina sia in buone condizioni. Nel dubbio, non metterlo in funzione e rivolgersi a personale qualificato. Consultare il foglio con le istruzioni allegato alla vaschetta di deposito per le indicazioni sul disimballaggio e l'installazione.
- 2) Togliere i pannelli anteriore superiore, superiore e laterali per evitare danni in fase d'installazione del distributore di cubetti di ghiaccio. Vedere la figura 1.
- 3) Rimuovere l'imballaggio degli accessori, e controllarne il contenuto:
  - a) Kit d'installazione (solo per il modello DCM-230FE)
    - Tubo d'ingresso
    - Tubo di sfianto

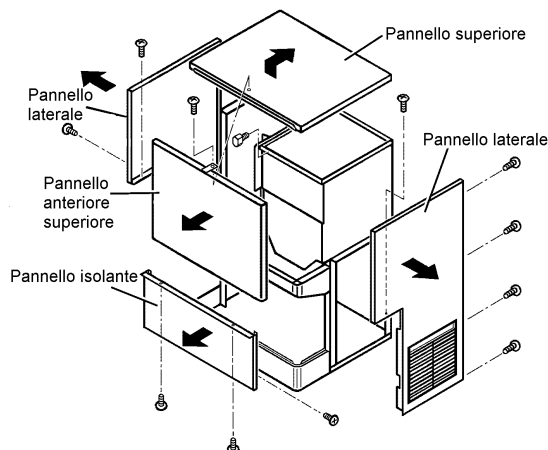
Rubinetto di regolazione 1/2 - 3/4

Rubinetto di regolazione 3/4 - 3/4

b) Staffa (solo per il modello DCM-230FE)

c) Fusibile

- 2) Verificare la presenza dei fusibili di ricambio 10A, 1A e 0,5A.
- 3) Rimuovere la pellicola protettiva dai pannelli. Se il distributore di cubetti di ghiaccio è esposto al sole o ad altra fonte di calore, rimuovere la pellicola dopo che il distributore di cubetti di ghiaccio si è raffreddato.

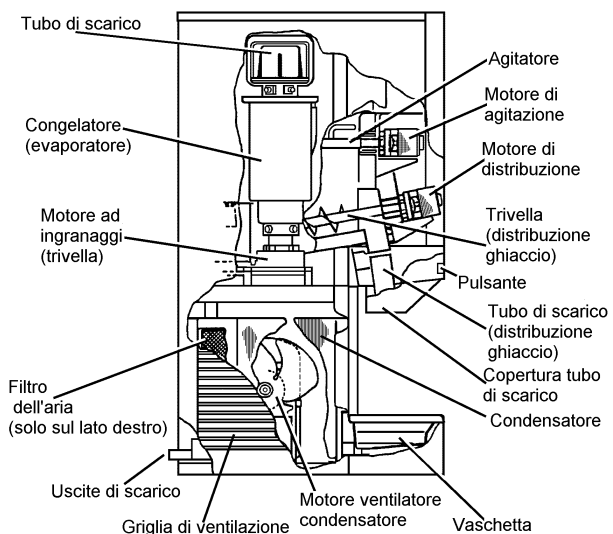


**Pannello anteriore anteriore:** Togliere le viti. Tirare verso di sé la parte inferiore.

**Pannello superiore:** Togliere la vite a testa zigrinata. Sollevare la parte anteriore e spingerla via.

**Pannello laterale/isolante:** Togliere le viti e tirare verso di sé.

**Fig. 1**



**Fig. 2**

## 2. UBICAZIONE

### IMPORTANTE

1. Questo apparecchio non è stato progettato per l'uso all'aperto. La temperatura dell'ambiente di esercizio dovrebbe mantenersi tra i 7°C e i 40°C, e quella dell'acqua tra i 7°C e i 35°C. Impiegare per lungo tempo questo apparecchio a temperature diverse da quelle indicate potrebbe danneggiarne seriamente la capacità produttiva.
2. Questo apparecchio non dovrebbe essere collocato in prossimità di forni, grill o altre fonti di calore.
3. L'ubicazione dovrebbe garantire un appoggio stabile e orizzontale per l'apparecchio ad un'altezza corrispondente alla normale altezza del bancone.
4. Lasciare uno spazio di 15 cm al di sopra dell'apparecchio e in corrispondenza delle pareti laterali e posteriore dell'apparecchio per favorire il passaggio dell'aria ed eventuali interventi di manutenzione.
5. Questo distributore non è indicato per l'installazione in aree in cui sia previsto l'uso di idrogetti e dove non sia consentito il gocciolamento.
6. Non collocare alcun oggetto sopra il distributore di cubetti di ghiaccio o davanti alla griglia di ventilazione.

## 3. INSTALLAZIONE

- Un'impropria installazione può causare danni a persone, animali o cose, verso cui il fabbricante non può ritenersi responsabile.
- 1) Collocare il distributore nella posizione permanente prescelta.
  - 2) Livellare il distributore nei sensi sinistra - destra e fronte - retro.
  - 3) Fissare le due staffe di supporto alla parte posteriore inferiore del distributore (una per lato).
  - 4) Fissare le staffe sulla superficie del bancone utilizzando 4 viti adatte (non fornite).
- Nota: Le staffe servono a garantire che il distributore non possa essere ribaltato o spostato durante l'impiego.

## 4. COLLEGAMENTI ELETTRICI

### AVVERTENZA

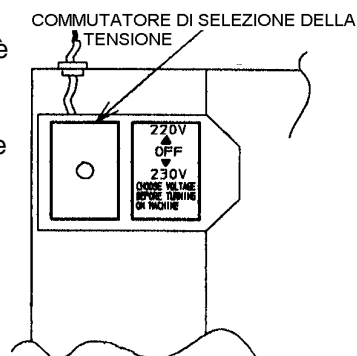
#### COLLEGARE IL DISTRIBUTORE A UNA PRESA DI TERRA

Per questo distributore è necessario disporre di una presa a terra che risponda alle normative vigenti. Per evitare traumi alle persone e danni elettrici all'impianto, collegare il distributore a una presa a terra con un apposito filo. Rimuovere la spina dalla presa di corrente prima di effettuare qualunque intervento di manutenzione, riparazione o pulizia.

- Questo apparecchio deve essere collegato ad alimentazione separata o a una presa di corrente di adeguata capacità. Controllare quanto riportato sulla targhetta.
- I fusibili della scatola di controllo principale sono di valore nominale pari a 10 A, 1 A e 0,5 A e devono essere sostituiti unicamente da un tecnico di manutenzione qualificato.
- Di solito sono necessari l'assistenza e la certificazione di un elettricista autorizzato.
- Se il cordone di alimentazione e la spina devono essere sostituiti, questo deve essere fatto unicamente da un tecnico di manutenzione qualificato.

#### Scelta della tensione del DCM-200F-GE

Il commutatore di selezione della tensione è situato all'interno, vicino ai fili di collegamento della macchina. Scegliere la tensione corretta **PRIMA** di collegare l'alimentazione alla macchina. Usare la tabella sottostante per la selezione della tensione corretta.



TENSIONE LOCALE	SELEZIONE DEL COMMUTATORE
220V-1 $\phi$ -50Hz	220V
220V-1 $\phi$ -60Hz	
230V-1 $\phi$ -50Hz	230V
230V-1 $\phi$ -60Hz	

## 5a. COLLEGAMENTI PER ALIMENTAZIONE E SCARICO ACQUA (DCM-230FE)

(Solo per il Regno Unito, i collegamenti dovranno essere effettuati conformemente alle normative vigenti delle norme idriche del modello 1986 SI n° 1147)

- Per questo distributore di ghiaccio utilizzare esclusivamente acqua potabile.
- Potrebbero essere necessari filtri esterni, altri filtri o trattamento delle incrostazioni, a seconda della qualità dell'acqua.
- La pressione dell'acqua di alimentazione dovrà essere di 0,5 bar minimo e 8 bar massimo. Qualora la pressione superi gli 8 bar, usare una valvola di limitazione della pressione. **NON** agire sul rubinetto dell'acqua.
- In alcune zone, potrebbe essere richiesta l'assistenza e la certificazione da parte di un idraulico autorizzato.
- Lo scarico del distributore è a flusso a gravità, quindi assicurarsi che il tubo di scarico abbia una pendenza o una caduta adeguata.
- L'acqua dovrà essere scaricata in un pozzetto aperto.

1) Mediante l'impiego di una chiave adatta, serrare il rubinetto di regolazione  $\frac{1}{2}$  -  $\frac{3}{4}$  (ausiliario) nell'accoppiamento FTP (passo gas femmina)  $\frac{1}{2}$ " e i rubinetti di regolazione  $\frac{3}{4}$ " -  $\frac{3}{4}$ " (ausiliari) negli accoppiamenti FTP  $\frac{3}{4}$ " sul retro del distributore, come indicato. Occorrerà utilizzare del nastro P.T.F.E. o un composto sigillante adeguato per ottenere una giunzione senza perdite.

Nota: i composti per giunzioni dovranno essere approvati e adatti per l'impiego con acqua potabile.

2) Collegare l'estremità angolata del tubo flessibile d'ingresso bianco (ausiliario) all'estremità libera del rubinetto di regolazione  $\frac{1}{2}$ " -  $\frac{3}{4}$ ", assicurandosi che la rondella di tenuta in gomma sia posizionata correttamente. Serrare manualmente in misura sufficiente da formare una giunzione senza fuoriuscite.

3) Collegare l'altra estremità del tubo d'ingresso al rubinetto dell'acqua, assicurandosi che la rondella sia posizionata correttamente prima di serrare manualmente come sopra (vedere la figura 3b).

4) Collegare i tubi flessibili di sfiato grigi (ausiliari) all'estremità libera dei rubinetti di regolazione  $\frac{3}{4}$ " -  $\frac{3}{4}$ ", verificando l'accoppiamento delle rondelle in gomma prima di effettuare il serraggio manuale finale delle giunzioni. Questi tubi possono essere tagliati alla lunghezza desiderata come necessario per adattarli alla posizione dello scarico principale.

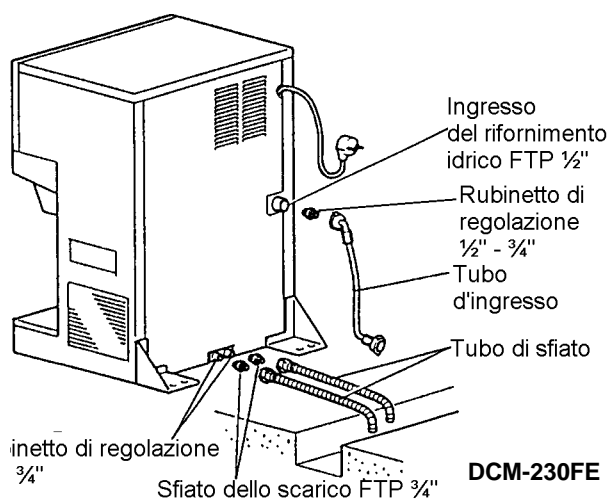


Fig. 3a

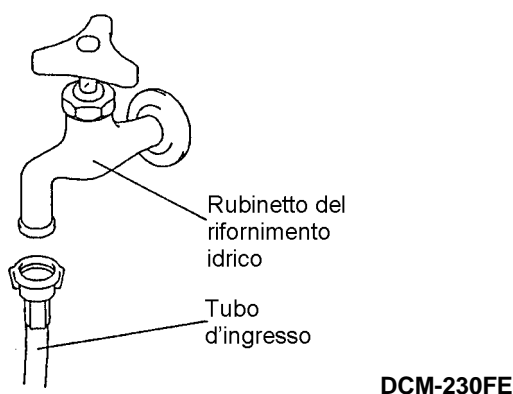


Fig. 3b

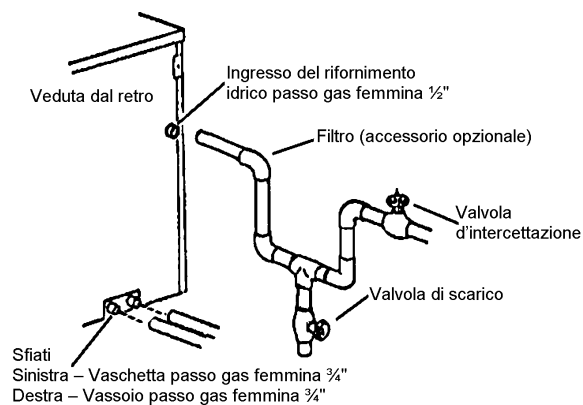
### 5b. COLLEGAMENTI PER ALIMENTAZIONE E SCARICO ACQUA (DCM-200F)

- L'ingresso del rifornimento idrico è un passo gas femmina (FTP) da 1/2". Dovrà essere installato un filtro con il tappo per la pulizia rivolto verso il basso. Collocare il filtro nel condotto di alimentazione dell'acqua, in prossimità del distributore, con la freccia sul filtro rivolta nella direzione del flusso d'acqua.

Nota: un filtro (codice parte 311166A01) è fornito come accessorio opzionale.

- Nel condotto di alimentazione dell'acqua occorrerà installare una valvola d'intercettazione e una valvola di scarico.

- La pressione dell'acqua di alimentazione deve essere di almeno 0,5 bar e non superare gli 8 bar. Se la pressione supera gli 8 bar, usare una valvola di limitazione della pressione.
- Due sfiati sono passo gas femmina 3/4" (FPT).
- Per favorire lo scolo, i condotti di scarico dovranno essere dotati di 6,5 mm di caduta e di 30,5 cm di corsa orizzontale.
- Lasciare uno spazio libero maggiore di 5 cm tra le estremità del tubo di scarico e le estremità del tubo flessibile e il pozzetto al suolo.
- In alcune zone potrebbe essere richiesta l'assistenza e la certificazione da parte di un idraulico autorizzato.
- In alcune zone potrebbe essere richiesta l'installazione di un dispositivo antiriflusso.
- Per questo distributore utilizzare solo acqua potabile fredda.



DCM-200F

Fig. 4

### 6. MODO OPERATIVO – Come funziona

L'acqua scorre da una fonte di acqua potabile attraverso il rubinetto, entra nel raccordo d'ingresso dell'acqua e prosegue fino al complessivo di rifornimento idrico. Il complessivo di rifornimento idrico funziona per mantenere un livello d'acqua costante all'interno del complessivo congelatore. L'acqua proveniente dal complessivo di rifornimento idrico entra dal fondo del congelatore e si trasforma in ghiaccio mediante refrigerante a scambio termico proveniente dal complessivo di condensazione.

Una trivella in acciaio inossidabile all'interno del congelatore è azionata direttamente dal motore ad

ingranaggi, e la trivella rotante trasporta il ghiaccio verso l'alto fino in cima alla trivella stessa, dove l'acqua in eccesso viene pressata fuori dal ghiaccio, prima che quest'ultimo venga estruso e rotto in cubetti di ghiaccio (ghiaccio compresso), e quindi spinto fuori nella vaschetta di deposito del ghiaccio.

Spostando l'interruttore di alimentazione, situato sulla scatola di controllo, sulla posizione "ON" si avvierà il processo continuo e automatico di produzione di ghiaccio. Quando la vaschetta di deposito del ghiaccio è piena di ghiaccio, l'interruttore di comando della vaschetta, situato in cima alla vaschetta di deposito, interromperà il processo di produzione di ghiaccio. Quando il ghiaccio viene tolto dalla vaschetta di deposito, l'interruttore di comando della vaschetta si resetterà automaticamente e riavvierà il processo di produzione di ghiaccio.

Spostando l'interruttore del modo distribuzione sulla posizione "PORZIONE", ciò darà all'utilizzatore un modo comandato a porzione, con il risultato che verrà distribuita una determinata quantità di ghiaccio (Vedere "8. COMANDI E REGOLAZIONI") quando viene premuto il pulsante. Spostando l'interruttore sulla posizione "CONTINUO", si avrà un modo di distribuzione continuo, con il risultato che quando verrà premuto il pulsante, il ghiaccio verrà distribuito.

Nella vaschetta di deposito è presente un meccanismo agitatore per dare un flusso di ghiaccio uniforme ed evitare la formazione di un blocco di ghiaccio.

## 7. PROCEDURA DI AVVIAMENTO

- 1) Togliere le 4 viti a testa zigrinata che fissano il coperchio anteriore della vaschetta. Pulire con uno straccio o igienizzare la vaschetta di deposito.
- 2) Controllare che il braccetto dell'interruttore di comando della vaschetta si muova liberamente.
- 3) Rimontare il coperchio e le viti.
- 4) Spostare l'interruttore di alimentazione sulla scatola di comando nella posizione "ON".
- 5) Rimontare i pannelli superiore, laterali e isolante.
- 6) Aprire il rubinetto dell'acqua.
- 7) Inserire l'alimentazione elettrica.

## CAUTELA

Assicurarsi che l'interruttore di produzione del ghiaccio, situato nella parte inferiore sinistra del pannello anteriore centrale, sia sulla posizione "ON". Controllare che la valvola di scarico manuale situata nella parte inferiore destra del pannello anteriore centrale sia chiusa.

- 8) Controllare che l'acqua scorra nei complessivi rifornimento idrico e congelatore:
  - L'acqua scorre nel serbatoio attraverso la valvola dell'acqua.
  - L'acqua scorre nel fondo del congelatore attraverso le tubazioni del congelatore.
  - L'interruttore di galleggiamento scatta per chiudere la valvola dell'acqua.
- 9) Controllare i collegamenti del rifornimento idrico e di scarico per eventuali perdite di acqua.
- 10) Dopo aver chiuso la valvola dell'acqua, prima si avvierà il motore degli ingranaggi, poi il compressore, e infine inizierà il processo automatico e continuo di produzione di ghiaccio.
- 11) Dopo alcuni minuti, il ghiaccio a cubetti verrà estruso nella vaschetta di deposito.
- 12) Verificare la presenza di rumori anormali provenienti dal compressore, dal motore del ventilatore o dal motore degli ingranaggi, dopo 30 minuti di funzionamento.
- 13) Spostare l'interruttore di comando della porzioni, situato nella parte inferiore del pannello anteriore centrale, nella posizione "PORZIONE" o "CONTINUO".

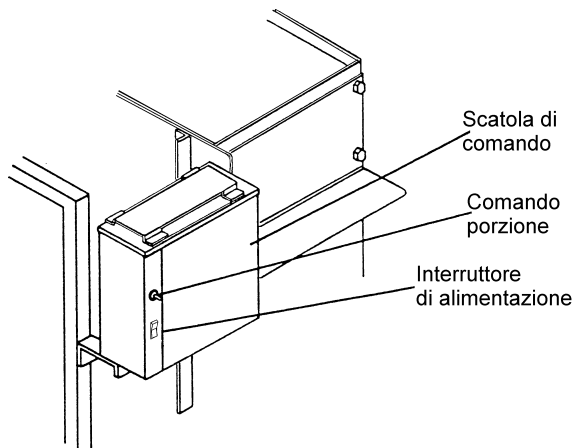


Fig. 5

- 14) Premere il pulsante per distribuire il ghiaccio, e verrà azionato il meccanismo di distribuzione.
- 15) Premere il pulsante per distribuire l'acqua, e la valvola dell'acqua si aprirà.

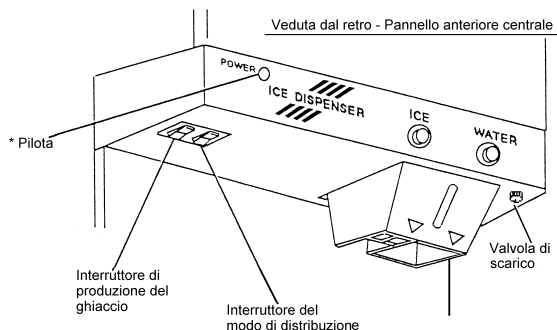


Fig. 6

**IMPORTANTE**

1. Controllare le condizioni e la qualità della produzione di ghiaccio.
2. Non utilizzare il ghiaccio prodotto durante il ciclo di prova. Potrebbe essere contaminato da materiali estranei presenti nel circuito idrico. Gettarlo o buttarlo nello scarico.

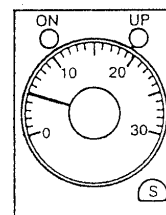


Fig. 7

**9. CONTROLLI FINALI**

- 1) Tutti i pannelli esterni sono stati montati e fissati?
- 2) Tutte le staffe di sostegno sono state montate e fissate?
- 3) Il comando porzione è impostato in base alle esigenze del cliente?
- 4) L'utilizzatore è stato istruito sull'impiego corretto?
- 5) I manuali d'istruzione e d'installazione sono stati consegnati all'utilizzatore?

**8. COMANDI E REGOLAZIONI –  
Comando porzione**

- Il comando porzione è situato sulla scatola di comando per fornire quantità di distribuzione del ghiaccio variabili. Se si desidera effettuare una regolazione, prendere nota delle istruzioni seguenti e controllare sempre dopo ogni regolazione.
- I numeri sull'etichetta indicano il tempo di distribuzione (in secondi).
- Circa 35 grammi di ghiaccio vengono distribuiti ogni secondo.

Nota: Il comando porzione è impostato in fabbrica sul tempo di distribuzione minimo (0,6 secondi – circa 21 grammi).

- Dopo aver terminato le regolazioni, rimontare il pannello anteriore.

## BELANGRIJK

1. Voor een veilige en correcte installatie van het product moet eerst dit boekje zorgvuldig worden doorgelezen en moeten de daarin opgenomen instructies worden opgevolgd.
2. Start na installatie de ijsmachine om op abnormaliteiten te controleren en geef de gebruiker instructies over het gebruik en onderhoud van de ijsmachine in overeenstemming met de instructiehandleiding.
3. Dit boekje moet na de installatie overhandigd worden aan de gebruiker en moet door de gebruiker samen met de instructiehandleiding worden bewaard om later te kunnen worden geraadpleegd.

## WAARSCHUWING

De installatie moet worden uitgevoerd door hiertoe bevoegd personeel, in overeenstemming met de geldende bepalingen en de instructies van de fabrikant.

## 1. UITPAKKEN

### WAARSCHUWING

Kinderen moeten op veilige afstand van de verpakkingselementen worden gehouden, aangezien plastic zakken en expansiepolystyreen potentieel gevaarlijk zijn.

### VOORZICHTIG

Verwijder alle kartonverpakking, plakband en andere emballage. Wanneer pakmateriaal in de cubelet-ijsmachine achterblijft, zal het apparaat niet goed werken.

N.B. Bij deze ijsmachine moet een opslagbak worden gebruikt. De aanbevolen opslagbak is de HOSHIZAKI IJSBAK, model B-300.

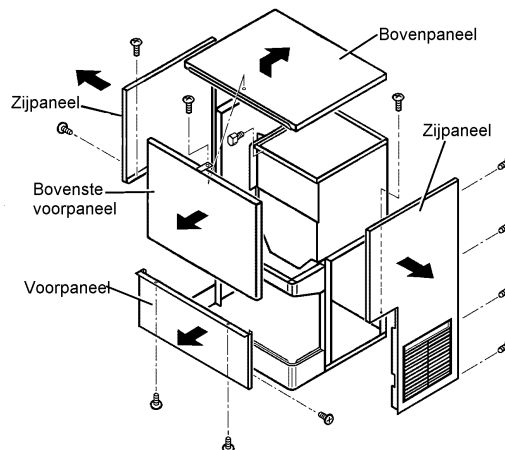
- 1) Nadat de verpakking is verwijderd, moet worden gecontroleerd of de ijsmachine in goede staat verkeert. In geval van twijfel mag u het toestel niet gebruiken maar moet u de hulp inroepen van bevoegd personeel.
- 2) Verwijder het bovenste deel van de voorkant en de boven- en zijpanelen om beschadiging bij het installeren van de ijsdispenser te voorkomen. Zie Afb. 1.
- 3) Verwijder de verpakking van de accessoires en controleer de inhoud:
  - a) Installatiekit (uitsluitend DCM-230FE)
 

Toevoerslang	1
Afvoerslang	2
1/2-3/4 nippel	1
3/4-3/4 nippel	2
  - b) Beugel (uitsluitend DCM-230FE) 2

c) Smeltveiligheid

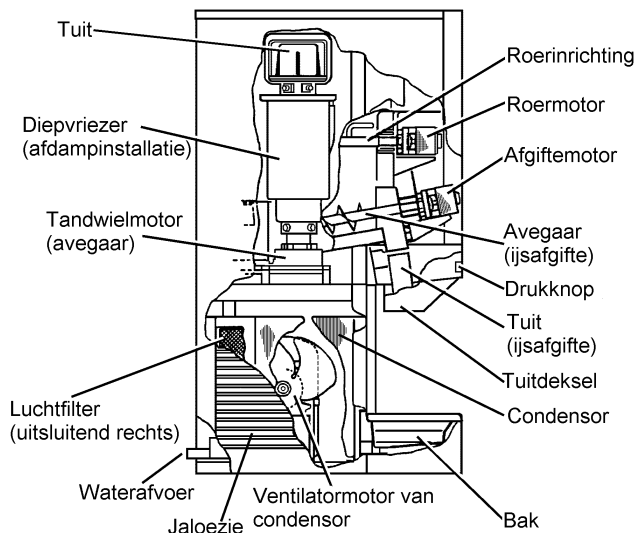
3

- 4) Controleer op 10A, 1A en 0,5A reservesmelt-veiligheden.
- 5) Verwijder de beschermfolie van de panelen. Indien de ijsdispenser is blootgesteld aan zonlicht of warmte mag de beschermfolie pas worden verwijderd nadat het apparaat is afgekoeld.



- Bovenste voorpaneel: Verwijder de schroeven. Trek de onderkant naar u toe.
- Bovenpaneel: Verwijder de duimschroef. Til de voorkant op en duw weg.
- Voor-/zijpaneel: Verwijder de schroeven en trek naar u toe.

Afb. 1



Afb. 2

## 2. LOCATIE

### BELANGRIJK

1. Deze ijsmachine is niet bedoeld voor gebruik buitenshuis. Tijdens normaal bedrijf ligt de omgevingstemperatuur tussen 7°C en 40°C en de watertemperatuur tussen 7°C en 35°C. Langdurig gebruik van de ijsmachine buiten deze temperatuurgrenzen kan een nadelig effect op de productiecapaciteit hebben.
2. De ijsmachine mag niet naast ovens, grills of andere warmteproducerende apparatuur worden geplaatst.
3. De locatie moet een stevige en waterpas ondergrond bieden aan het toestel, op hoogte van een normale toonbank.
4. Houd voor een goede luchtcirculatie en makkelijk uit te voeren onderhouds- en servicebeurten een ruimte aan van 15 cm rondom het apparaat.
5. Dit apparaat is niet geschikt voor installatie in een ruimte waar een hogedrukreiniger wordt gebruikt of druipen niet is toegestaan.
6. Er mag niets op de ijsdispenser of voor de jaloezie worden geplaatst.

## 3. INSTALLATIE

- Door een onjuiste installatie kan schade worden berokkend aan mensen, dieren en dingen, en de fabrikant stelt zich daarvoor niet aansprakelijk.
- 1) Zet de opslagbak op de geselecteerde permanente plaats.
  - 2) Maak de ijsdispenser waterpas, zowel van links naar rechts als van voren naar achteren.
  - 3) Bevestig de twee steunbeugels onder aan de achterkant van de dispenser (één per kant).
  - 4) Bevestig de beugels aan de toonbank met behulp van 4 geschikte schroeven (niet meegeleverd).

N.B.: De beugels moeten voorkomen dat de dispenser tijdens het gebruik kantelt of gaat schuiven.

## 5. ELEKTRISCHE AANSLUITINGEN

### WAARSCHUWING

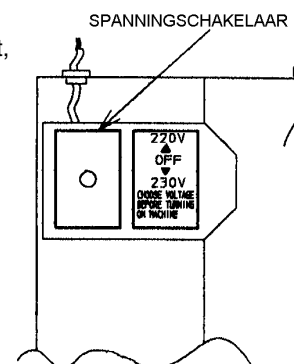
#### DIT APPARAAT MOET WORDEN GEAARD

Deze cubelet-ijsmachine vereist aarding die voldoet aan de landelijke en plaatselijke elektriciteitsvoorschriften. Om het persoonlijk gevaar van een zware elektrische schok en ernstige beschadiging van de apparatuur te voorkomen, moet een geschikte aardingsdraad aan de cubelet-ijsmachine worden bevestigd. Haal de stekker uit het stopcontact voordat wordt begonnen met onderhouds-, reparatie- of schoonmaakwerk.

- Deze ijsmachine moet worden aangesloten op een aparte voedingsbron of contactdoos van de juiste capaciteit. Zie het naamplaatje.
- De smeltveiligheden in het bedieningskastje zijn 10A, 1A en 0,5A en mogen uitsluitend worden vervangen door een bevoegde onderhoudsmonteur.
- Doorgaans is een elektriciteitsvergunning vereist en moet gebruik worden gemaakt van de diensten van een bevoegde elektricien.
- Indien het netsnoer of de stekker moeten worden vervangen, dan mag dit uitsluitend worden gedaan door een bevoegde onderhoudsmonteur.

### Spanninginstelling DCM-200F-GE

De spanningschakelaar bevindt zich aan de binnenkant, bij de netaansluitingen van de machine. Selecteer de juiste spanning VOORDAT de machine op het lichtnet wordt aangesloten. Gebruik de volgende tabel voor het bepalen van de juiste spanning.



PLAATSELIJKE SPANNING	STAND VAN SCHAKELAAR
220V-1ϕ-50Hz	220V
220V-1ϕ-60Hz	
230V-1ϕ-50Hz	230V
230V-1ϕ-60Hz	

## 5a. AANSLUITINGEN VOOR WATERTOEVOER EN –AFVOER (DCM230FE)

(Uitsluitend bestemd voor het Verenigd Koninkrijk: de aansluitingen moeten worden uitgevoerd conform de geldende eisen van de Waterverordeningen van 1986 SI Nr.1147).

- Er mag uitsluitend drinkwater voor deze ijsdispenser worden gebruikt.
- Afhankelijk van de kwaliteit van het water kan het nodig zijn om externe filters, zeven of behandelingen tegen ketelsteen te gebruiken.
- De druk van de watertoevoer moet minimaal 0,5 bar zijn en mag maximaal 8 bar bedragen. Indien de waterdruk hoger dan 8 bar is, moet een reduceerklep worden gebruikt. De watertoevoerkraan mag voor dit doel NIET gedeeltelijk worden dichtgedraaid.
- In sommige gebieden is een loodgietersvergunning vereist en moet een bevoegde loodgieter worden ingeschakeld.
- Het afvoerwater van de ijsdispenser stroomt onder natuurlijk verval, zodat moet worden gezorgd dat de afvoerbuis een geschikte hellingshoek heeft.
- Het water moet worden afgevoerd via een zwanenhalsconstructie.

1) Draai de 1/2-3/4 nippel (accessoire) met behulp van een geschikte sleutel in de 1/2 Rc fitting en de 3/4-3/4 nippels (accessoire) in de 3/4 Rc fitting aan de achterkant van de ijsdispenser, zoals aangegeven. Ten behoeve van een lekdichte verbinding moet gebruik worden gemaakt van PTFE-tape en/of een geschikte afdichtingpasta.

N.B. De afdichtingpasta moet goedgekeurd en geschikt zijn voor gebruik met drinkwater.

2) Bevestig het verbogen uiteinde van de witte buigzame toevoerslang (accessoire) aan het vrije eind van de 1/2-3/4 nippel, en zorg ervoor dat de rubberen afdichtingring goed is aangebracht. Draai met de hand goed aan voor een lekdichte verbinding.

3) Sluit het andere uiteinde van de toevoerslang aan op de waterkraan. Zorg ervoor dat de afdichtingring goed is aangebracht alvorens deze weer met de hand goed aan te draaien. Zie afb. 3b.

4) Sluit de grijze buigzame afvoerslangen (accessoire) aan op het vrije eind van de 3/4-3/4 nippels. Controleer of de rubber ringen goed zijn aangebracht voordat deze met de hand worden aangedraaid. De slang kan zonodig op lengte worden gesneden voor een passende aansluiting op de hoofdafvoer.

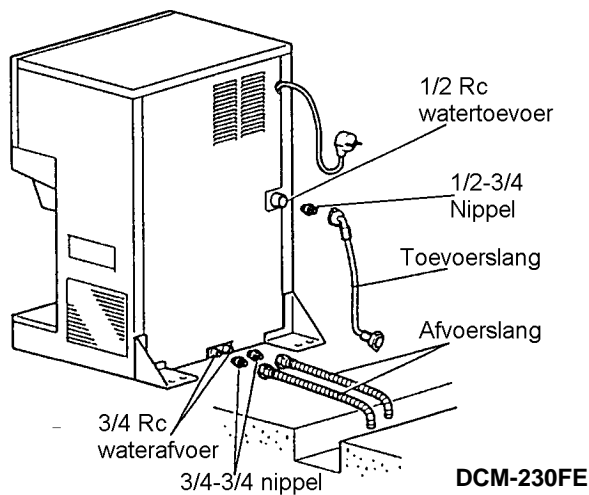


Fig. 3a

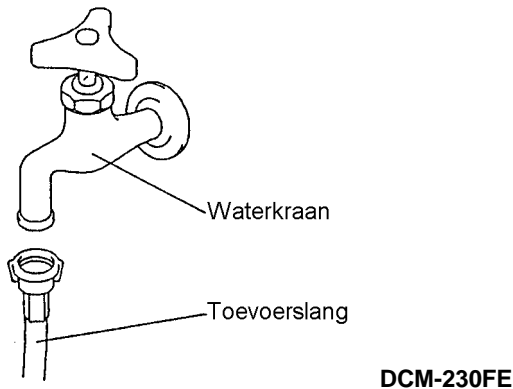
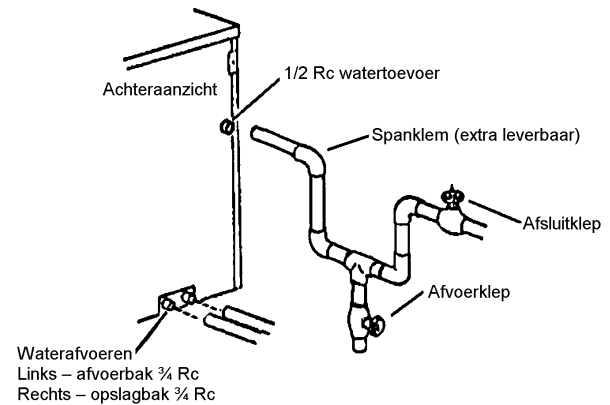


Fig. 3b

- De druk van de waterleiding moet minimaal 0,5 bar en maximaal 8 bar zijn. Als de druk hoger is dan 8 bar, moet er een reduceerklep worden gebruikt.
- De twee waterafvoeren zijn  $\frac{3}{4}$  Rc binnendraad.
- Voor een goede doorstroming moeten de horizontale delen van de afvoerleidingen een afloop hebben van 6,5 mm per 20,5 cm.
- Er moet een tussenruimte van minimaal 5 cm. zijn tussen het eind van de afvoerpijpen of -slangen en de afvoer in de vloer.
- In sommige gebieden is een loodgietersvergunning vereist en moet een bevoegde loodgieter worden ingeschakeld.
- In sommige gebieden moeten de afvoeren beveiligd zijn tegen terugstromen.
- Voor deze ijsdispenser mag uitsluitend koud drinkwater worden gebruikt.



DCM-200F

Afb. 4

## 5b. AANSLUITINGEN VOOR WATERTOEVOER EN -AFVOER (DCM-200F)

- De watertoevoer betreft een  $\frac{1}{2}$  Rc binnendraad. Er moet een spanklem worden aangebracht met de plug naar onderen. Zet de spanklem in de watertoevoerleiding, naast de ijsdispenser met de pijl op de spanklem in de stromingsrichting van het water.

N.B.: De spanklem met onderdeelcode 311166A01 is extra leverbaar.

- Er moet een afsluitlek en een afvoerklep in de watertoevoerleiding worden geïnstalleerd.

## 6. WERKING

Er stroomt water vanuit de drinkwatertoevoer naar de kraan, waarna het in de watertoevoerfiting komt en zo naar de watertoevoerinrichting. De watertoevoerinrichting zorgt ervoor dat er een constante watertoevoer naar de diepvriezer wordt gehandhaafd. Het water uit de watertoevoerinrichting komt onder in de diepvriezer aan en wordt door het warmtewisselende koelmiddel in de condensor in ijs veranderd.

De roestvrijstalen avegaar in de diepvriezer wordt door de tandwielmotor aangedreven. De draaiende avegaar vervoert het ijs naar boven waar het overtollige water uit het ijs wordt geperst. Het wordt geëxtrudeerd en in cubulet-ijs (samengeperst ijs) opgebroken en vervolgens in de ijsopslagbak geduwd.

Als de stroomschakelaar op het bedieningskastje op 'AAN' wordt gezet, wordt het automatische, ononderbroken ijsproductieproces op gang gebracht. Als de ijsopslagbak vol ijs zit, wordt het ijsproductieproces uitgeschakeld door de controleschakelaar aan de bovenkant van de bak. Als het ijs uit de opslagbak wordt verwijderd, wordt het ijsproductieproces door de controleschakelaar automatisch weer op gang gebracht.

Als de afgifteschakelaar op 'PORTION' wordt gezet, kan de gebruiker zelf instellen hoeveel ijs er wordt afgegeven als de drukknop wordt ingedrukt (zie '8. BEDIENING EN REGELING'). Als de schakelaar op 'ONONDERBROKEN' wordt gezet, wordt er ononderbroken ijs afgegeven als de drukknop wordt ingedrukt.

De opslagbak is voorzien van een roermechanisme om het ijs egaal te houden en te voorkomen dat er ijsblokken worden gevormd.

## 7. OPSTARTPROCEDURE

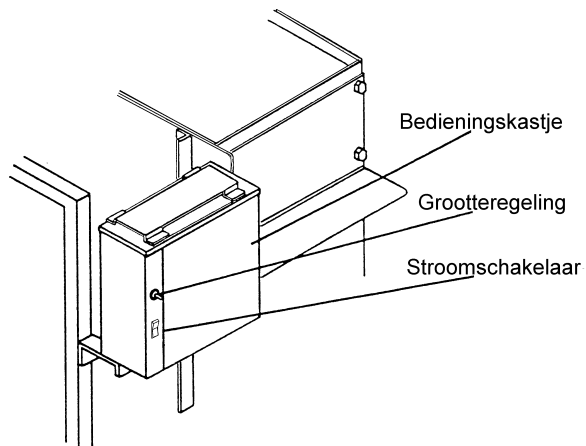
- 1) Verwijder de 4 duimschroeven waarmee het deksel aan de voorkant van de opslagbak vastzit. Maak de opslagbak grondig schoon.
- 2) Controleer of de arm van de controleschakelaar in de opslagbak onbelemmerd draait.
- 3) Breng het deksel weer aan en zet hem vast.
- 4) Zet de stroomschakelaar op het bedieningskastje op 'AAN'.
- 5) Breng de boven-, zij- en voorpanelen weer aan.
- 6) Draai de watertoevoerklep open.
- 7) Zet de stroom aan.

### WAARSCHUWING

Zorg ervoor dat de ijsproductieschakelaar, links onder op het middelste voorpaneel, op 'AAN' staat. Zorg ervoor dat de afvoerlepel rechts onder op het middelste voorpaneel dicht zit.

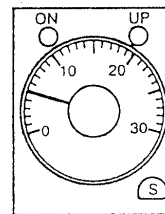
- 8) Controleer of er als volgt water in de watertoevoer- en diepvriesinrichtingen stroomt:
  - Water stroomt via de waterkraan in het reservoir.
  - Water stroomt via de slang de onderkant van de diepvriezer binnen.
  - De vlotter schakelaar sluit de waterkraan.
- 9) Controleer de aansluitingen van de watertoevoer en -afvoer op lekkage.

- 10) Nadat de waterklep is gesloten, start eerst de tandwielmotor, dan de compressor en begint uiteindelijk het automatische continu-ijsproductieproces.
- 11) Binnen een paar minuten wordt er cubulet-ijs in de opslagbak geperst.
- 12) Controleer na 30 minuten draaien op abnormale geluiden in de compressor, ventilatiemotor of tandwielmotor.



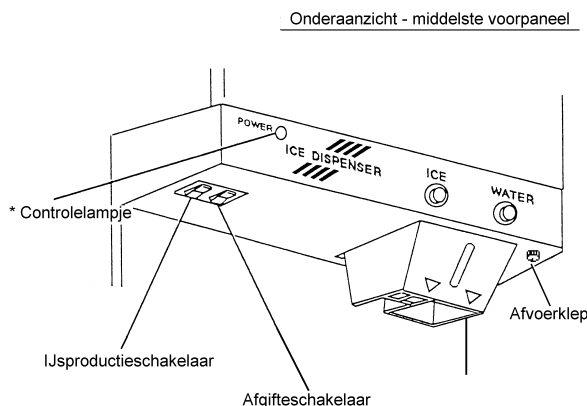
Afb. 5

- 13) Zet de afgifteschakelaar aan de onderkant van het middelste voorpaneel op 'PORTION' of 'ONONDERBROKEN'
- 14) Druk op de drukknop voor ijsafgifte waarna het ijsafgiftemechanisme in werking komt.
- 15) Druk op de drukknop om water af te geven waarna de waterkraan opent.



Afb. 7

- Breng na het afregelen het voorpaneel weer aan.



Afb. 6

## 9. EINDCONTROLES

- 1) Zijn alle panelen aan de buitenkant goed aangebracht en vastgezet?
- 2) Zijn alle steunbeugels aangebracht en vastgezet?
- 3) Is de grootteregeling naar wens van de klant ingesteld?
- 4) Is het gebruik uitgelegd aan de gebruiker?
- 5) Zijn de instructie- en installatiehandleidingen aan de gebruiker overhandigd?

### BELANGRIJK

1. Controleer de kwaliteit en de staat van het geproduceerde ijs.
2. Het ijs dat tijdens het proefdraaien is geproduceerd mag niet worden gebruikt. Er kan vreemd materiaal uit de waterleiding in zitten. Het moet worden weggegooid of weggespoeld.

## 8. BEDIENING EN REGELING – Grootteregeling

- De grootteregeling zit op het bedieningskastje. Hiermee kan de hoeveelheid ijsafgifte worden geregeld. Neem bij het instellen daarvan de volgende richtlijnen in acht en controleer de afgifte na afloop.
- De nummers op het etiket geven de afgiftetijd in seconden aan.
- Er wordt per seconde ongeveer 35g ijs afgegeven.

N.B.: De grootteregeling is in de fabriek ingesteld op de minimum afgiftetijd (0,6 sec.; ongeveer 21g).