

NO. U2GU-1489

ISSUED: NOV. 24, 1993

FINAL: SEP. 2, 2003



HOSHIZAKI CUBELET ICE DISPENSER

MODEL **DCM-700BAE**
DCM-700BWE

PARTS LIST

FINAL

(BAE) C-1 NOV. 1993
D-1 FEB. 1994
E-0 APR. 1995
F-0 JUN. 1996
F-1 NOV. 1996
G-0 JAN. 1997
G-1 SEP. 1997
H-0 JAN. 1998

(BWE) C-1 NOV. 1993
D-0 MAY 1994
E-0 APR. 1995
F-1 DEC. 1995
G-0 AUG. 1997
H-0 APR. 1998

MATERIAL ABBREVIATIONS

PLASTIC

ABS	=	Acrylonitrile-butadien-styrene
AC	=	Polyacetal
EVA	=	Ethylene vinyl acetate
PA	=	Polyamide = Nylon
PC	=	Polycarbonate
PE	=	Polyethylene
PES	=	Polyester
PETP	=	Polyethylene terephthalate = Tetlon
PF	=	Phenol-formaldehyde
PP	=	Polypropyleneoride
PS	=	Polystyrene
PTFE	=	Polytetrafluoroethylene = Teflon
PUR	=	Polyurethane
PVC	=	Polyvinyl chloride

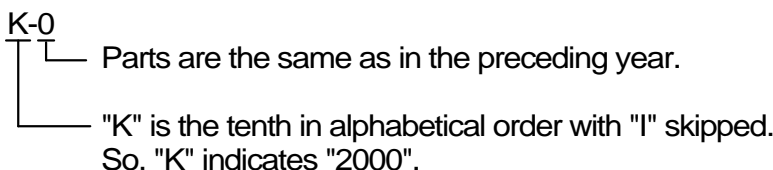
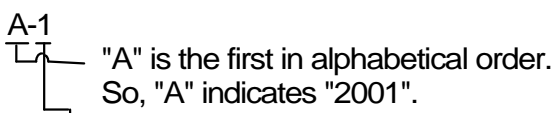

RUBBER

EPDM	=	EP rubber
NBR	=	Nitrile butadiene rubber
NR	=	Natural rubber
SI.R	=	Silicone rubber
SY.R	=	Synthetic rubber

STEEL

G.S	=	Galvanized steel
S.S	=	Stainless steel

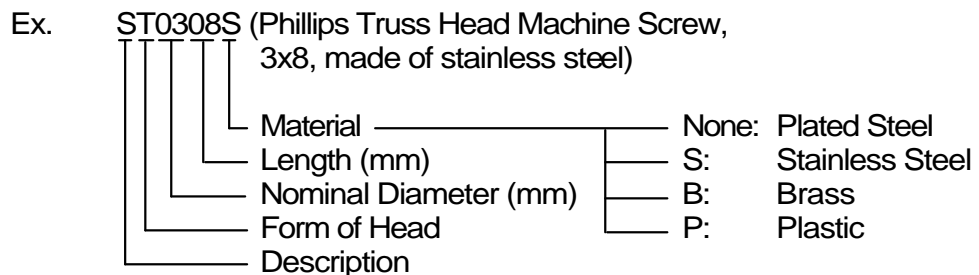
AUXILIARY CODE

- Ex.1 
- Ex.2 
- Ex.3 

(Note) —= Part deleted.
X = Part deleted and replaced by "O" part.
O = New part for "X" in the same auxiliary code.

FASTENER ABBREVIATION LIST

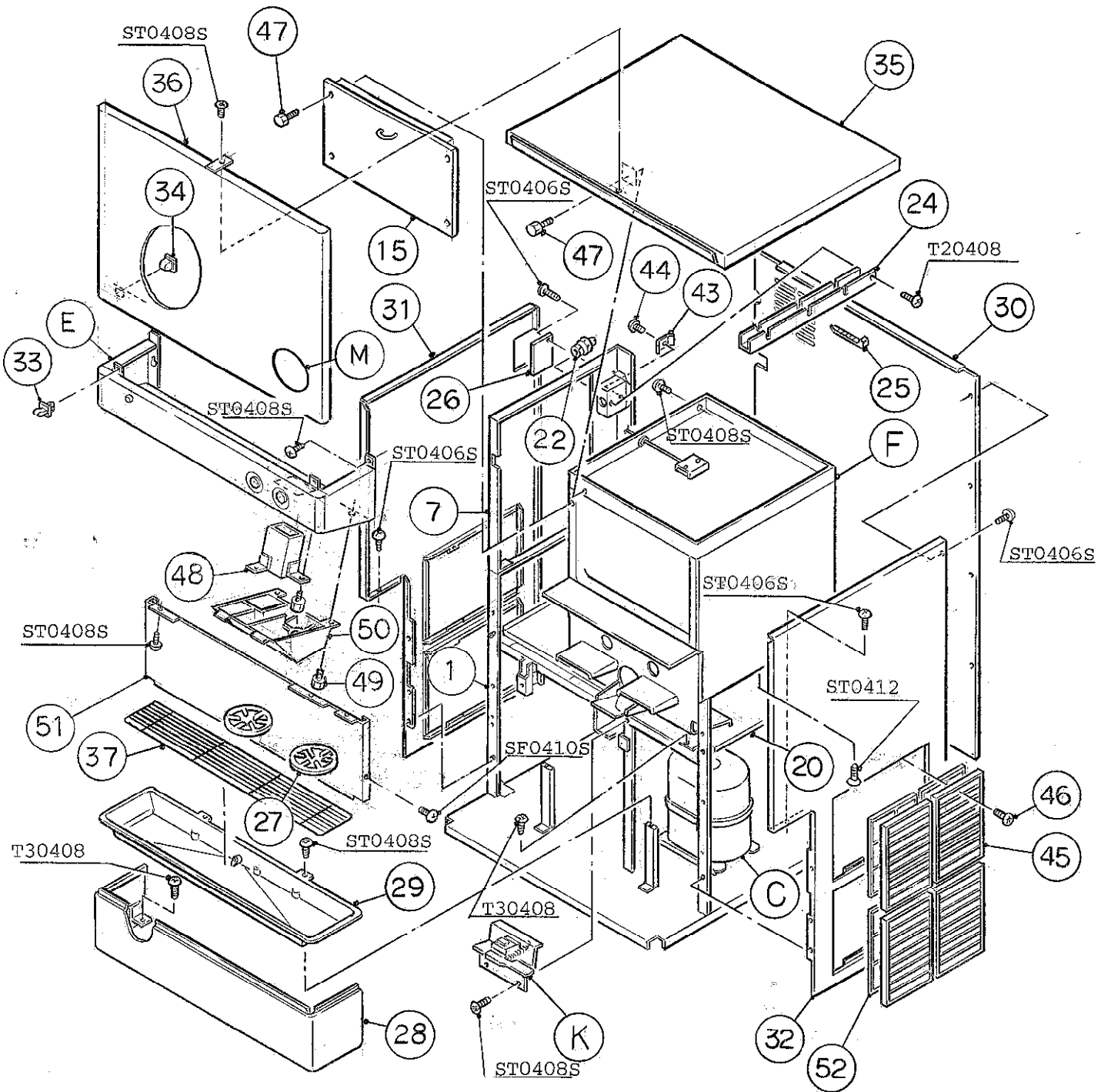
ST	Phillips Truss Head Machine Screw
SP	Phillips Pan Head Machine Screw
SF	Phillips Flat Head Machine Screw
SS	Phillips Pan Head Machine Screw with Split Lock Washer
SW	Phillips Pan Head Machine Screw with Split Lock Washer and Flat Washer
T1	Phillips Truss Head Tapping Screw (Correspond to Type A)
T2	Phillips Truss Head Tapping Screw (Correspond to Type B)
T3	Phillips Truss Head Tapping Screw (Correspond to Type C)
FT	Phillips Truss Head Tapping Screw (Special)
BH	Hexagon Head Bolt
BC	Socket Head Cap Screw
BS	Hexagon Bolt with Split Washer
BW	Hexagon Bolt with Split Washer and Flat Washer
BF	Hexagon Flange Bolt
BR	Cross-Recessed Hexagon Head Bolt
BRW	Cross-Recessed Hexagon Head Bolt with Split Lock Washer and Flat Washer
WL	Split Lock Washer
WT	External Tooth Washer
WF	Flat Washer
WS	Spring Washer
NH	Hexagon Nut
NF	Hexagon Flange Nut
NC	Hexagon Cap Nut
NS	Square Nut
NW	Wing Nut

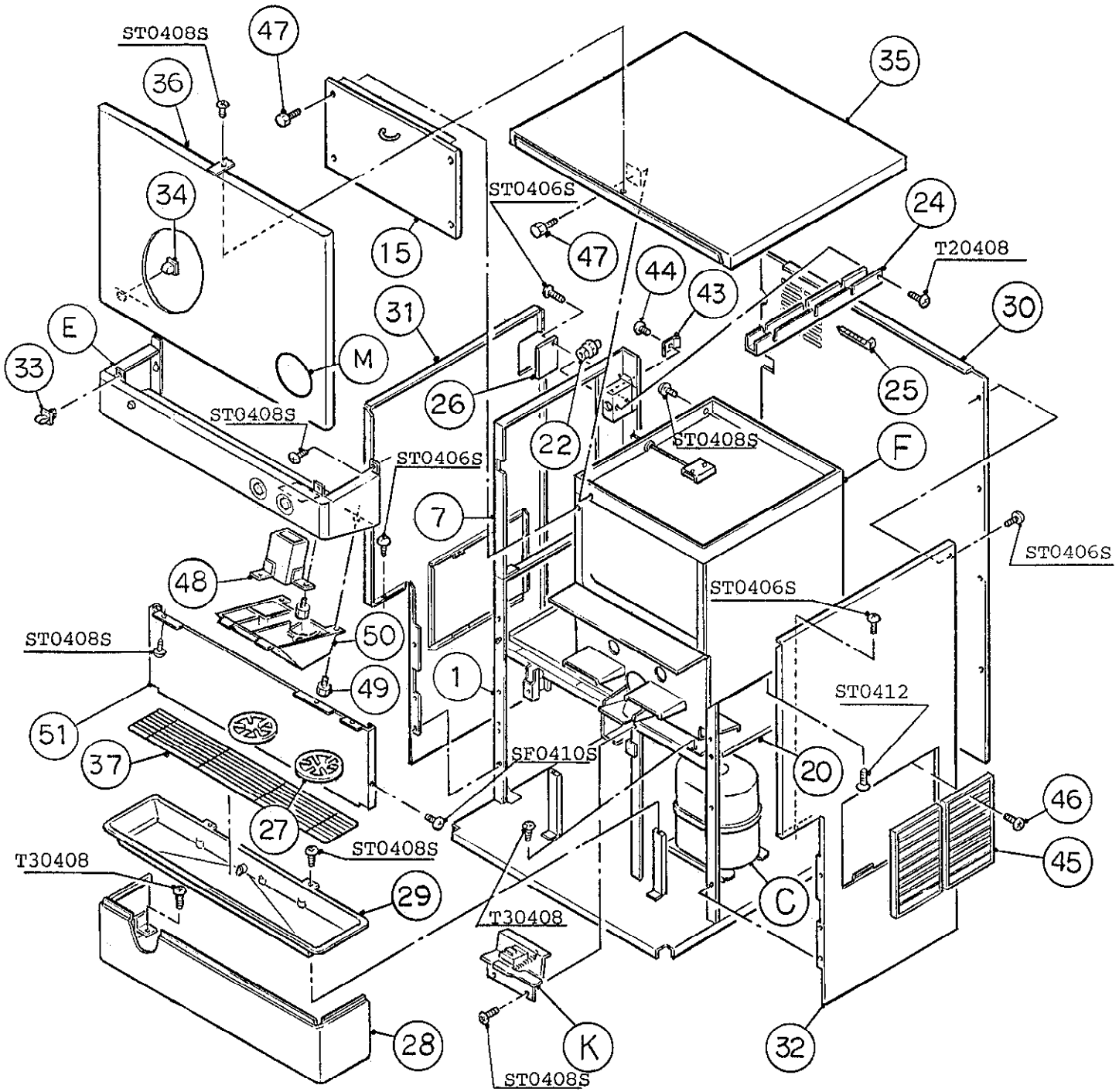


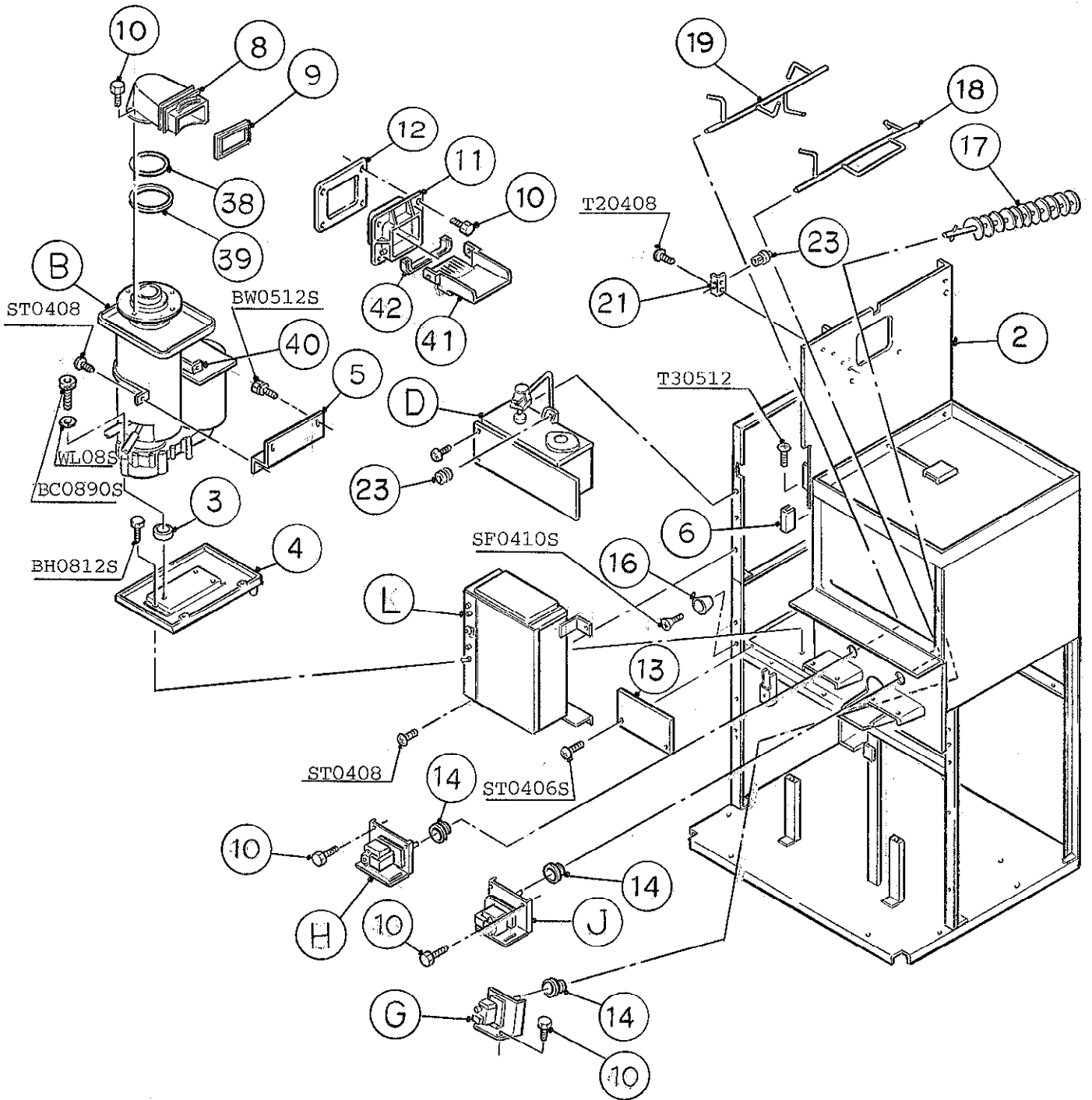
(Note) Second character is numerical except the list.

Ex. S1, S2, B3 etc.

And abbreviations and names are shown under the illustration.







HA

MODEL: DCM-700BAE TITLE: A. ICE DISPENSER ASSY							
INDEX NO.	DESCRIPTION	MATERIAL OR MODEL NUMBER	PART NUMBER	REQ'D NUMBER			
				C-1	D-1	E-0	F-0
B	EVAPORATOR ASSY	-	324704A03	1	1	1	1
C	REFRIGERATION CIRCUIT	-	106805A01	1	-		
		-	106805A02		1	1	1
D	WATER CIRCUIT	-	105365A02	1	1	1	1
E	MIDDLE FRONT PANEL ASSY	-	219681A03	1	1	1	1
F	BIN ASSY	-	104002A02	1	1	1	1
G	GEAR MOTOR ASSY	-	432467A01	1	1	1	1
H	GEAR MOTOR ASSY (L)	-	432468A01	1	1	1	1
J	GEAR MOTOR ASSY (R)	-	432469A01	1	1	1	1
K	SHUTTER ASSY	-	211245A02	1	1	1	1
L	CONTROL BOX ASSY	-	216191A02	1	1	1	1
M	LABEL LOCATION	-	220513A01	1	1	1	1
1	FRAME	G.S	105309G02	1	1	1	1
2	CENTER FRAME	G.S	429833G01	1	1	1	1
3	WASHER	PVC	422916-01	3	3	3	3
4	DRAIN PAN	S.S	319054G01	1	1	1	1
5	BRACKET - EVAPORATOR	S.S	431738-01	1	1	1	1
6	EDGING	CE-024	7991EC120	1	1	1	1
7	FRAME (UPPER)	G.S	319008G03	1	1	1	1
8	SPOUT	PC	103932G01	1	1	1	1
9	PACKING (A) - SPOUT	EPDM	427195-01	1	1	1	1
10	THUMBSCREW	S.S, ABS	415949G03	18	18	18	18
11	SPOUT	ABS	208807-01	1	1	1	1
12	PACKING (B) - SPOUT	EPDM	427196-01	1	1	1	1
13	BARRIER - DRIP	S.S	429825-01	1	1	1	1
14	GASKET	EPDM	429758-01	3	3	3	3
15	COVER - BIN	ABS	210023G01	1	1	1	1
16	COLLAR	S.S	4H0171-01	2	2	2	2
17	AUGER - DISPENSING	S.S	320679G01	1	1	1	1
18	AGITATOR (RIGHT)	S.S	321013G01	1	1	1	1
19	AGITATOR (LEFT)	S.S	319017G02	1	1	1	1

HA

MODEL: DCM-700BAE TITLE: A. ICE DISPENSER ASSY							
INDEX NO.	DESCRIPTION	MATERIAL OR MODEL NUMBER	PART NUMBER	REQ'D NUMBER			
				F-1	G-0	G-1	H-0
B	EVAPORATOR ASSY	-	324704A03	-			
		-	324704A02	1	1	1	1
C	REFRIGERATION CIRCUIT	-	106805A02	1	1	1	1
D	WATER CIRCUIT	-	105365A02	1	1	1	1
E	MIDDLE FRONT PANEL ASSY	-	219681A03	1	1	1	1
F	BIN ASSY	-	104002A02	1	1	1	1
G	GEAR MOTOR ASSY	-	432467A01	1	1	1	1
H	GEAR MOTOR ASSY (L)	-	432468A01	1	1	1	1
J	GEAR MOTOR ASSY (R)	-	432469A01	1	1	1	1
K	SHUTTER ASSY	-	211245A02	1	1	1	1
L	CONTROL BOX ASSY	-	216191A02	1	1	1	1
M	LABEL LOCATION	-	220513A01	1	1	1	1
1	FRAME	G.S	105309G02	1	1	1	1
2	CENTER FRAME	G.S	429833G01	1	1	1	1
3	WASHER	PVC	422916-01	3	3	3	3
4	DRAIN PAN	S.S	319054G01	1	1	1	1
5	BRACKET - EVAPORATOR	S.S	431738-01	1	1	1	1
6	EDGING	CE-024	7991EC120	1	1	1	1
7	FRAME (UPPER)	G.S	319008G03	1	1	1	1
8	SPOUT	PC	103932G01	1	1	1	1
9	PACKING (A) - SPOUT	EPDM	427195-01	1	1	1	1
10	THUMBSCREW	S.S, ABS	415949G03	18	18	18	18
11	SPOUT	ABS	208807-01	1	1	1	1
12	PACKING (B) - SPOUT	EPDM	427196-01	1	1	1	1
13	BARRIER - DRIP	S.S	429825-01	1	1	1	1
14	GASKET	EPDM	429758-01	3	3	3	3
15	COVER - BIN	ABS	210023G01	1	1	1	1
16	COLLAR	S.S	4H0171-01	2	2	2	2
17	AUGER - DISPENSING	S.S	320679G01	1	1	-	
		S.S	339194G01			1	1
18	AGITATOR (RIGHT)	S.S	321013G01	1	1	1	1
19	AGITATOR (LEFT)	S.S	319017G02	1	1	1	1

HA

MODEL: DCM-700BAE TITLE: A. ICE DISPENSER ASSY							
INDEX NO.	DESCRIPTION	MATERIAL OR MODEL NUMBER	PART NUMBER	REQ'D NUMBER			
				C-1	D-1	E-0	F-0
20	SEPARATOR	G.S	326873-01	1	1	1	1
21	BRACKET - FLOAT SWITCH LEADS	G.S	427165-01	1	1	1	1
22	BUSHING	SR-5KN-4	420472-06	1	1	1	1
23	BUSHING	SR-30-1	420472-03	2	2	2	2
24	BARRIER - LEADS	G.S	446469-01	1	1	1	1
25	TIE	CV-150	7920-0003	3	3	3	3
26	COVER - JUNCTION BOX	G.S	420594-01	1	1	1	1
27	GUIDE - CUP	ABS	326702-01	2	2	2	2
28	PANEL (LOWER)	S.S	216097G01	1	1	1	1
29	TRAY - DRIP	ABS	105311G01	1	1	1	1
30	REAR PANEL	G.S	220426-01	1	1	1	1
31	SIDE PANEL (LEFT)	S.S	216095-03	1	1	1	1
32	SIDE PANEL (RIGHT)	S.S	216096-03	1	1	1	1
33	STRIKE	83	435995-01	2	2	2	2
34	CATCH	82	435994-01	2	2	2	2
35	TOP PANEL	S.S	440457G06	1	-	-	-
		S.S	333962G02		1	1	1
36	FRONT PANEL	S.S	326874G03	1	1	1	1
37	GRILLE	PVC COATED STEEL	216100G01	1	1	1	1
38	"O"RING	G95	7616-G095	1	1	1	1
39	RING	PA	431736-01	1	1	1	1
40	STRAP	G.S	431737-01	1	1	1	1
41	GUIDE	ABS	211171-01	1	1	1	1
42	PACKING	EPDM	320668-01	1	1	1	1
43	SQUARE WASHER	BRASS	433537-02	1	1	1	1
44	SCREW - GROUNDING	BRASS	433304-02	1	1	1	1
45	LOUVER (C)	ABS	103122-01	8	8	-	
		ABS	103122-03			8	8
46	TAPPING SCREW - BLACK	STEEL, 4x8	433954-01	8	8	8	8
47	THUMBSCREW	ABS,S.S	415949G05	5	5	5	5
48	ICE CHUTE	S.S	439788G02	1	1	1	1

HA

MODEL: DCM-700BAE TITLE: A. ICE DISPENSER ASSY							
INDEX NO.	DESCRIPTION	MATERIAL OR MODEL NUMBER	PART NUMBER	REQ'D NUMBER			
				F-1	G-0	G-1	H-0
20	SEPARATOR	G.S	326873-01	1	1	1	1
21	BRACKET - FLOAT SWITCH LEADS	G.S	427165-01	1	1	1	1
22	BUSHING	SR-5KN-4	420472-06	1	1	1	1
23	BUSHING	SR-30-1	420472-03	2	2	2	2
24	BARRIER - LEADS	G.S	446469-01	1	1	1	1
25	TIE	CV-150	7920-0003	3	3	3	3
26	COVER - JUNCTION BOX	G.S	420594-01	1	1	1	1
27	GUIDE - CUP	ABS	326702-01	2	2	2	2
28	PANEL (LOWER)	S.S	216097G01	1	1	1	1
29	TRAY - DRIP	ABS	105311G01	1	1	1	1
30	REAR PANEL	G.S	220426-01	1	1	1	1
31	SIDE PANEL (LEFT)	S.S	216095-03	1	1	1	1
32	SIDE PANEL (RIGHT)	S.S	216096-03	1	1	1	1
33	STRIKE	83	435995-01	2	2	2	2
34	CATCH	82	435994-01	2	2	2	2
35	TOP PANEL	S.S	440457G06	-	-	-	-
		S.S	333962G02	1	1	1	1
36	FRONT PANEL	S.S	326874G03	1	1	1	1
37	GRILLE	PVC COATED STEEL	216100G01	1	1	1	1
38	"O"RING	G95	7616-G095	1	1	1	1
39	RING	PA	431736-01	1	1	1	1
40	STRAP	G.S	431737-01	1	1	1	1
41	GUIDE	ABS	211171-01	1	1	1	1
42	PACKING	EPDM	320668-01	1	1	1	1
43	SQUARE WASHER	BRASS	433537-02	1	1	1	1
44	SCREW - GROUNDING	BRASS	433304-02	1	1	1	1
45	LOUVER (C)	ABS	103122-03	8	8	8	8
46	TAPPING SCREW - BLACK	STEEL, 4x8	433954-01	8	8	8	8
47	THUMBSCREW	ABS,S.S	415949G05	5	5	5	5
48	ICE CHUTE	S.S	439788G02	1	1	1	1

HA

MODEL: DCM-700BAE		TITLE: A. ICE DISPENSER ASSY					
INDEX NO.	DESCRIPTION	MATERIAL OR MODEL NUMBER	PART NUMBER	REQ'D NUMBER			
				C-1	D-1	E-0	F-0
49	THUMBSCREW	ABS, S.S	415949G08	4	4	4	4
50	SPOUT COVER	ABS	215773-01	1	1	1	1
51	APRON PANEL	S.S	220386-01	1	1	1	1
52	AIR FILTER (C)	PP	208284G01	4	4	-	
		PP	208284G03			4	4

HA

MODEL: DCM-700BWE TITLE: A. ICE DISPENSER ASSY							
INDEX NO.	DESCRIPTION	MATERIAL OR MODEL NUMBER	PART NUMBER	REQ'D NUMBER			
				C-1	D-0	E-0	F-1
B	EVAPORATOR ASSY	-	324704A03	1	1	1	-
		-	324704A02				1
C	REFRIGERATION CIRCUIT	-	106806A01	1	1	1	1
D	WATER CIRCUIT	-	105365A02	1	1	1	1
E	MIDDLE FRONT PANEL ASSY	-	219681A03	1	1	1	1
F	BIN ASSY	-	104002A02	1	1	1	1
G	GEAR MOTOR ASSY	-	432467A01	1	1	1	1
H	GEAR MOTOR ASSY (L)	-	432468A01	1	1	1	1
J	GEAR MOTOR ASSY (R)	-	432469A01	1	1	1	1
K	SHUTTER ASSY	-	211245A02	1	1	1	1
L	CONTROL BOX ASSY	-	216191A02	1	1	1	1
M	LABEL LOCATION	-	220513A02	1	1	1	1
1	FRAME	G.S	105310G02	1	1	1	1
2	CENTER FRAME	G.S	429833G01	1	1	1	1
3	WASHER	PVC	422916-01	3	3	3	3
4	DRAIN PAN	S.S	319054G01	1	1	1	1
5	BRACKET - EVAPORATOR	S.S	431738-01	1	1	1	1
6	EDGING	CE-024	7991EC120	1	1	1	1
7	FRAME (UPPER)	G.S	319008G03	1	1	1	1
8	SPOUT	PC	103932G01	1	1	1	1
9	PACKING (A) - SPOUT	EPDM	427195-01	1	1	1	1
10	THUMBSCREW	S.S, ABS	415949G03	18	18	18	18
11	SPOUT	ABS	208807-01	1	1	1	1
12	PACKING (B) - SPOUT	EPDM	427196-01	1	1	1	1
13	BARRIER - DRIP	S.S	429825-01	1	1	1	1
14	GASKET	EPDM	429758-01	3	3	3	3
15	COVER - BIN	ABS	210023G01	1	1	1	1
16	COLLAR	S.S	4H0171-01	2	2	2	2
17	AUGER - DISPENSING	S.S	320679G01	1	1	1	1
18	AGITATOR (RIGHT)	S.S	321013G01	1	1	1	1
19	AGITATOR (LEFT)	S.S	319017G02	1	1	1	1
20	SEPARATOR	G.S	326873-01	1	1	1	1

HA

MODEL: DCM-700BWE TITLE: A. ICE DISPENSER ASSY							
INDEX NO.	DESCRIPTION	MATERIAL OR MODEL NUMBER	PART NUMBER	REQ'D NUMBER			
				G-0	H-0		
B	EVAPORATOR ASSY	-	324704A02	1	1		
C	REFRIGERATION CIRCUIT	-	106806A01	1	1		
D	WATER CIRCUIT	-	105365A02	1	1		
E	MIDDLE FRONT PANEL ASSY	-	219681A03	1	1		
F	BIN ASSY	-	104002A02	1	1		
G	GEAR MOTOR ASSY	-	432467A01	1	1		
H	GEAR MOTOR ASSY (L)	-	432468A01	1	1		
J	GEAR MOTOR ASSY (R)	-	432469A01	1	1		
K	SHUTTER ASSY	-	211245A02	1	1		
L	CONTROL BOX ASSY	-	216191A02	1	1		
M	LABEL LOCATION	-	220513A02	1	1		
1	FRAME	G.S	105310G02	1	1		
2	CENTER FRAME	G.S	429833G01	1	1		
3	WASHER	PVC	422916-01	3	3		
4	DRAIN PAN	S.S	319054G01	1	1		
5	BRACKET - EVAPORATOR	S.S	431738-01	1	1		
6	EDGING	CE-024	7991EC120	1	1		
7	FRAME (UPPER)	G.S	319008G03	1	1		
8	SPOUT	PC	103932G01	1	1		
9	PACKING (A) - SPOUT	EPDM	427195-01	1	1		
10	THUMBSCREW	S.S, ABS	415949G03	18	18		
11	SPOUT	ABS	208807-01	1	1		
12	PACKING (B) - SPOUT	EPDM	427196-01	1	1		
13	BARRIER - DRIP	S.S	429825-01	1	1		
14	GASKET	EPDM	429758-01	3	3		
15	COVER - BIN	ABS	210023G01	1	1		
16	COLLAR	S.S	4H0171-01	2	2		
17	AUGER - DISPENSING	S.S	320679G01	-			
		S.S	339194G01	1	1		
18	AGITATOR (RIGHT)	S.S	321013G01	1	1		
19	AGITATOR (LEFT)	S.S	319017G02	1	1		
20	SEPARATOR	G.S	326873-01	1	1		

HA

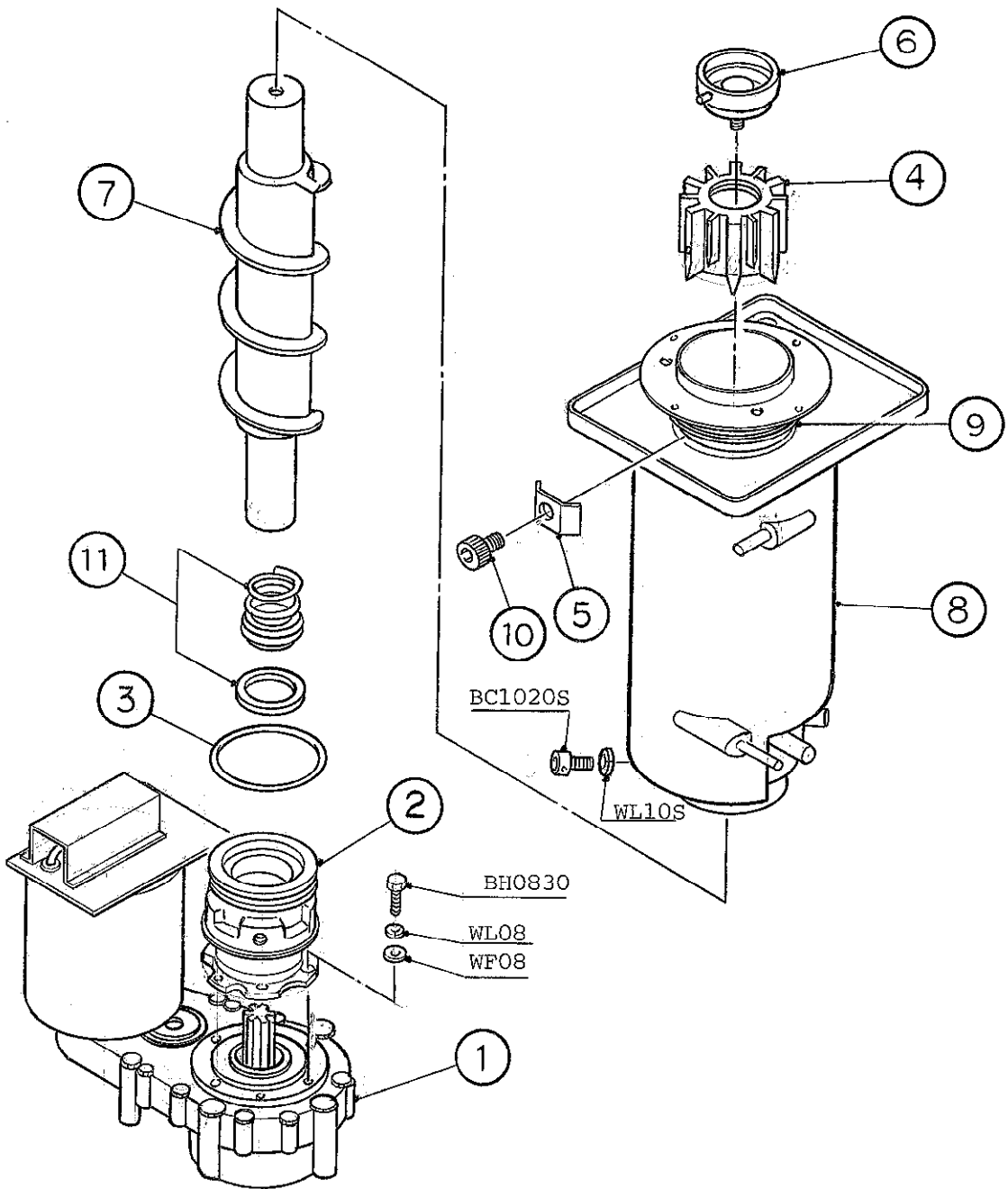
MODEL: DCM-700BWE TITLE: A. ICE DISPENSER ASSY							
INDEX NO.	DESCRIPTION	MATERIAL OR MODEL NUMBER	PART NUMBER	REQ'D NUMBER			
				C-1	D-0	E-0	F-1
21	BRACKET - FLOAT SWITCH LEADS	G.S	427165-01	1	1	1	1
22	BUSHING	SR-5KN-4	420472-06	1	1	1	1
23	BUSHING	SR-30-1	420472-03	2	2	2	2
24	BARRIER - LEADS	G.S	446469-01	1	1	1	1
25	TIE	CV-150	7920-0003	3	3	3	3
26	COVER - JUNCTION BOX	G.S	420594-01	1	1	1	1
27	GUIDE - CUP	ABS	326702-01	2	2	2	2
28	PANEL (LOWER)	S.S	216097G01	1	1	1	1
29	TRAY - DRIP	ABS	105311G01	1	1	1	1
30	REAR PANEL	G.S	220427-01	1	1	1	1
31	SIDE PANEL (LEFT)	S.S	220498-01	1	1	1	1
32	SIDE PANEL (RIGHT)	S.S	220499-01	1	1	1	1
33	STRIKE	83	435995-01	2	2	2	2
34	CATCH	82	435994-01	2	2	2	2
35	TOP PANEL	S.S	440457G06	1	-	-	-
		S.S	333962G02		1	1	1
36	FRONT PANEL	S.S	326874G03	1	1	1	1
37	GRILLE	PVC COATED STEEL	216100G01	1	1	1	1
38	"O"RING	G95	7616-G095	1	1	1	1
39	RING	PA	431736-01	1	1	1	1
40	STRAP	G.S	431737-01	1	1	1	1
41	GUIDE	ABS	211171-01	1	1	1	1
42	PACKING	EPDM	320668-01	1	1	1	1
43	SQUARE WASHER	BRASS	433537-02	1	1	1	1
44	SCREW - GROUNDING	BRASS	433304-02	1	1	1	1
45	LOUVER (C)	ABS	103122-01	4	4	-	
		ABS	103122-03			4	4
46	TAPPING SCREW (BLACK)	STEEL,4x8	433954-01	4	4	4	4
47	THUMBSCREW	ABS,S.S	415949G05	5	5	5	5
48	ICE CHUTE	S.S	439788G02	1	1	1	1
49	THUMBSCREW	ABS, S.S	415949G08	4	4	4	4

HA

MODEL: DCM-700BWE TITLE: A. ICE DISPENSER ASSY							
INDEX NO.	DESCRIPTION	MATERIAL OR MODEL NUMBER	PART NUMBER	REQ'D NUMBER			
				C-1	D-0	E-0	F-1
B	EVAPORATOR ASSY	-	324704A03	1	1	1	-
		-	324704A02				1
C	REFRIGERATION CIRCUIT	-	106806A01	1	1	1	1
D	WATER CIRCUIT	-	105365A02	1	1	1	1
E	MIDDLE FRONT PANEL ASSY	-	219681A03	1	1	1	1
F	BIN ASSY	-	104002A02	1	1	1	1
G	GEAR MOTOR ASSY	-	432467A01	1	1	1	1
H	GEAR MOTOR ASSY (L)	-	432468A01	1	1	1	1
J	GEAR MOTOR ASSY (R)	-	432469A01	1	1	1	1
K	SHUTTER ASSY	-	211245A02	1	1	1	1
L	CONTROL BOX ASSY	-	216191A02	1	1	1	1
M	LABEL LOCATION	-	220513A02	1	1	1	1
1	FRAME	G.S	105310G02	1	1	1	1
2	CENTER FRAME	G.S	429833G01	1	1	1	1
3	WASHER	PVC	422916-01	3	3	3	3
4	DRAIN PAN	S.S	319054G01	1	1	1	1
5	BRACKET - EVAPORATOR	S.S	431738-01	1	1	1	1
6	EDGING	CE-024	7991EC120	1	1	1	1
7	FRAME (UPPER)	G.S	319008G03	1	1	1	1
8	SPOUT	PC	103932G01	1	1	1	1
9	PACKING (A) - SPOUT	EPDM	427195-01	1	1	1	1
10	THUMBSCREW	S.S, ABS	415949G03	18	18	18	18
11	SPOUT	ABS	208807-01	1	1	1	1
12	PACKING (B) - SPOUT	EPDM	427196-01	1	1	1	1
13	BARRIER - DRIP	S.S	429825-01	1	1	1	1
14	GASKET	EPDM	429758-01	3	3	3	3
15	COVER - BIN	ABS	210023G01	1	1	1	1
16	COLLAR	S.S	4H0171-01	2	2	2	2
17	AUGER - DISPENSING	S.S	320679G01	1	1	1	1
18	AGITATOR (RIGHT)	S.S	321013G01	1	1	1	1
19	AGITATOR (LEFT)	S.S	319017G02	1	1	1	1
20	SEPARATOR	G.S	326873-01	1	1	1	1

HA

MODEL: DCM-700BWE TITLE: A. ICE DISPENSER ASSY							
INDEX NO.	DESCRIPTION	MATERIAL OR MODEL NUMBER	PART NUMBER	REQ'D NUMBER			
				G-0	H-0		
B	EVAPORATOR ASSY	-	324704A02	1	1		
C	REFRIGERATION CIRCUIT	-	106806A01	1	1		
D	WATER CIRCUIT	-	105365A02	1	1		
E	MIDDLE FRONT PANEL ASSY	-	219681A03	1	1		
F	BIN ASSY	-	104002A02	1	1		
G	GEAR MOTOR ASSY	-	432467A01	1	1		
H	GEAR MOTOR ASSY (L)	-	432468A01	1	1		
J	GEAR MOTOR ASSY (R)	-	432469A01	1	1		
K	SHUTTER ASSY	-	211245A02	1	1		
L	CONTROL BOX ASSY	-	216191A02	1	1		
M	LABEL LOCATION	-	220513A02	1	1		
1	FRAME	G.S	105310G02	1	1		
2	CENTER FRAME	G.S	429833G01	1	1		
3	WASHER	PVC	422916-01	3	3		
4	DRAIN PAN	S.S	319054G01	1	1		
5	BRACKET - EVAPORATOR	S.S	431738-01	1	1		
6	EDGING	CE-024	7991EC120	1	1		
7	FRAME (UPPER)	G.S	319008G03	1	1		
8	SPOUT	PC	103932G01	1	1		
9	PACKING (A) - SPOUT	EPDM	427195-01	1	1		
10	THUMBSCREW	S.S, ABS	415949G03	18	18		
11	SPOUT	ABS	208807-01	1	1		
12	PACKING (B) - SPOUT	EPDM	427196-01	1	1		
13	BARRIER - DRIP	S.S	429825-01	1	1		
14	GASKET	EPDM	429758-01	3	3		
15	COVER - BIN	ABS	210023G01	1	1		
16	COLLAR	S.S	4H0171-01	2	2		
17	AUGER - DISPENSING	S.S	320679G01	-			
		S.S	339194G01	1	1		
18	AGITATOR (RIGHT)	S.S	321013G01	1	1		
19	AGITATOR (LEFT)	S.S	319017G02	1	1		
20	SEPARATOR	G.S	326873-01	1	1		

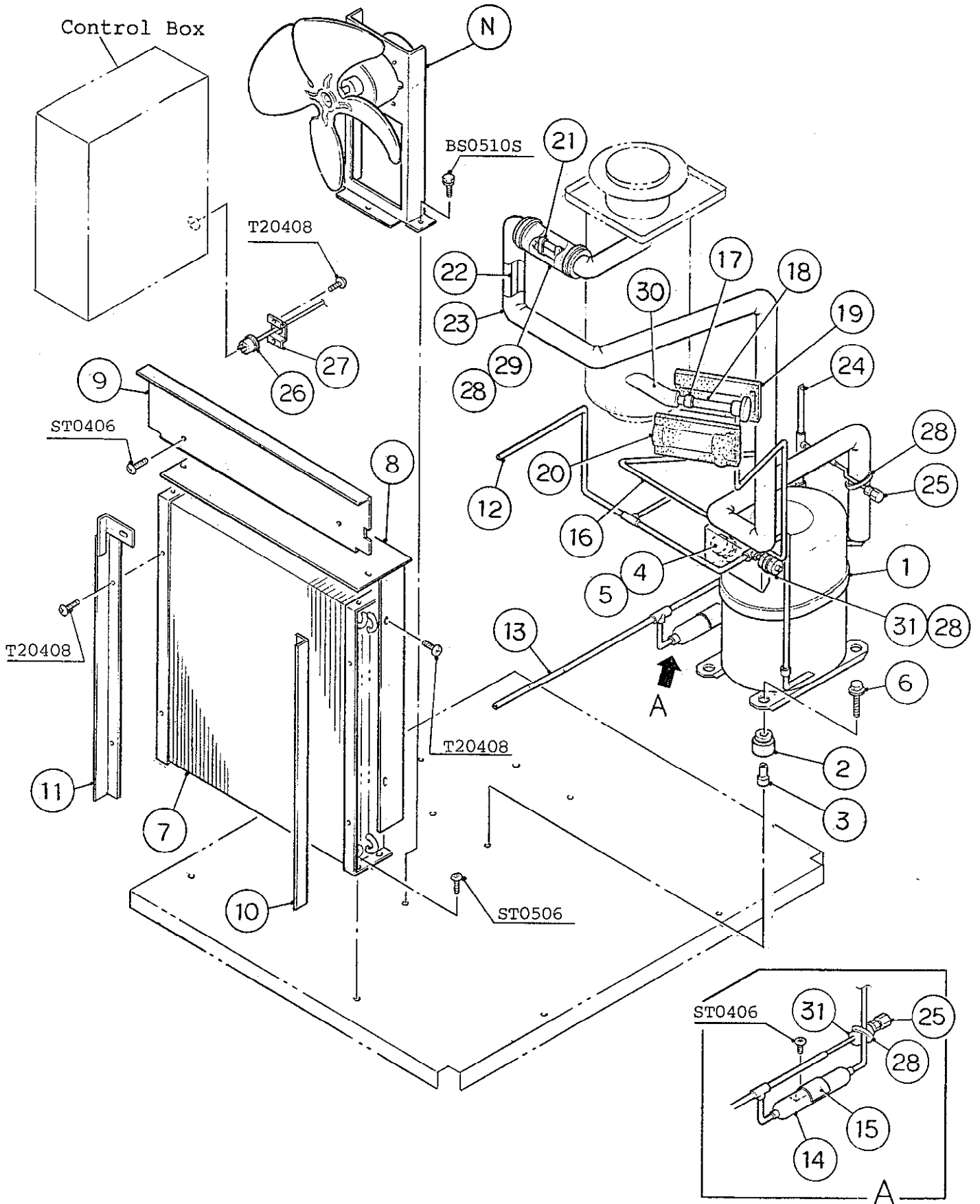


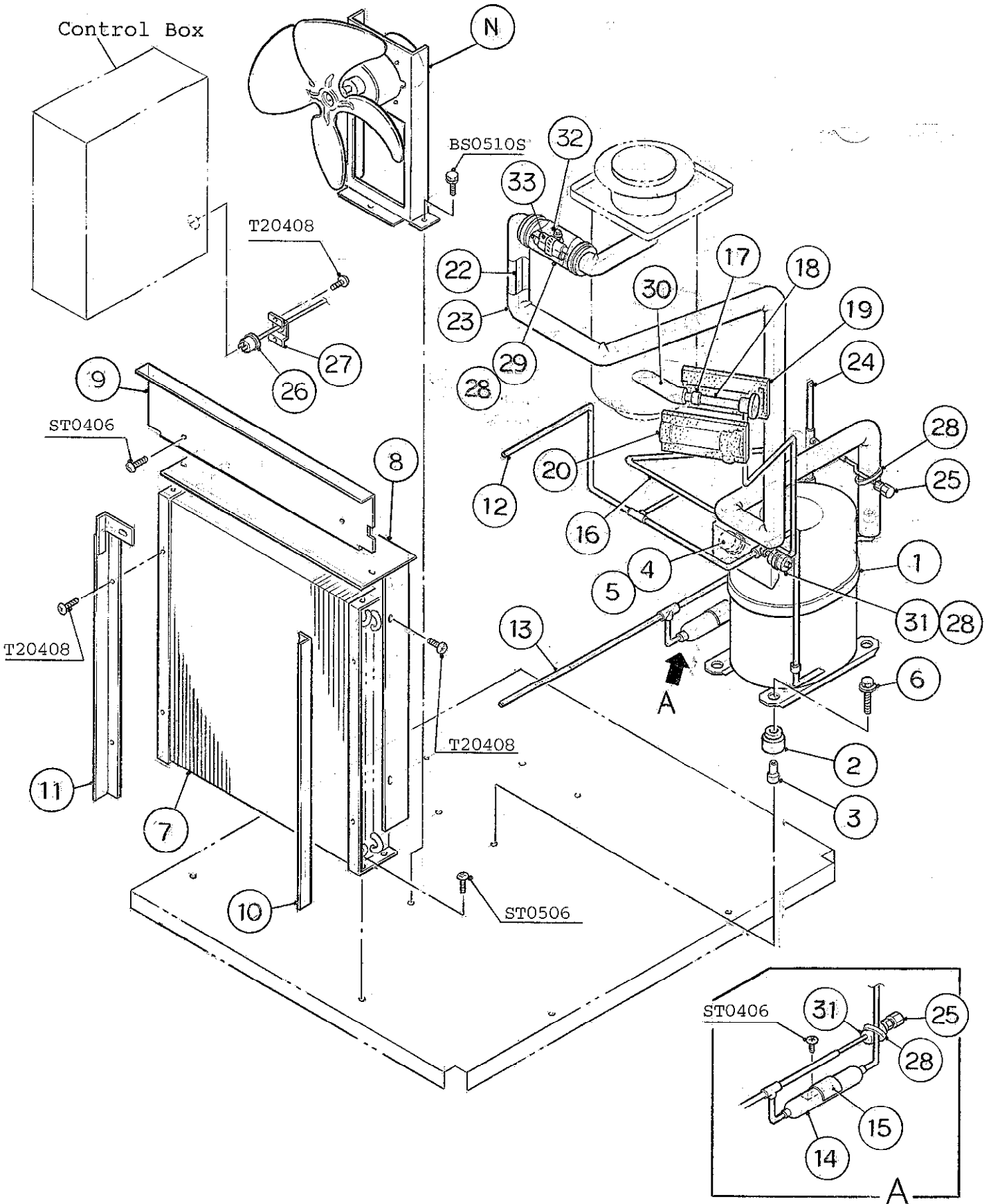
HA

MODEL: DCM-700BAE, BWE TITLE: B. EVAPORATOR ASSY							
INDEX NO.	DESCRIPTION	MATERIAL OR MODEL NUMBER	PART NUMBER	REQ'D NUMBER			
				C-1	D-0	D-1 E-0 F-0	F-1
1	GEAR MOTOR	MGZ2200UL-160E	2U0077-01	1	1	1	
2	HOUSING	-	315732G02	1	1	1	1
3	"O"RING	G90	7616G090	1	1	1	1
4	EXTRUDING HEAD	S.S	208121G02	1	1	1	-
	EXTRUDING HEAD-95	S.S	216409G01				1
5	WASHER	S.S	425277-01	3	3	3	3
6	CUTTER	S.S	315736G01	1	1	1	1
7	AUGER	S.S	211063G01	1	1	1	-
		S.S	235266G01				1
8	EVAPORATOR	-	319138G01	1	1	1	-
		-	228206G01				1
9	CORD HEATER	SP4523U	3U0097-01	1	1	1	1
10	SOCKET HEAD CAP SCREW	S.S, M10x15	429121-02	3	3	3	3
11	MECHANICAL SEAL	HK9A-MN	432493-01	1	1	1	1

HA

MODEL: DCM-700BAE, BWE TITLE: B. EVAPORATOR ASSY							
INDEX NO.	DESCRIPTION	MATERIAL OR MODEL NUMBER	PART NUMBER	REQ'D NUMBER			
				F-1 G-0	G-1 H-0		
1	GEAR MOTOR	MGZ2200UL-160E	2U0077-01	1	1		
2	HOUSING	-	315732G02	1	1		
3	"O"RING	G90	7616G090	1	1		
4	EXTRUDING HEAD-95	S.S	216409G01	1	1		
5	WASHER	S.S	425277-01	3	3		
6	CUTTER	S.S	315736G01	1	1		
7	AUGER	S.S	235266G01	1	1		
8	EVAPORATOR	-	228206G01	1	1		
9	CORD HEATER	SP4523U	3U0097-01	1	1		
10	SOCKET HEAD CAP SCREW	S.S, M10x15	429121-02	3	3		
11	MECHANICAL SEAL	HK9A-MN	432493-01	1	1		





HA

MODEL: DCM-700BAE		TITLE: C. REFRIGERATION CIRCUIT					
INDEX NO.	DESCRIPTION	MATERIAL OR MODEL NUMBER	PART NUMBER	REQ'D NUMBER			
				C-1	D-1	E-0	F-0
N	FAN MOTOR ASSY	(S-0662)	323357A01	1	1	1	1
1	COMPRESSOR	RSN6-0075-CAA	446521-01	1	1	1	1
2	GROMMET	027-0073-00	434403-01	4	4	4	4
3	SPACER	027-0072-02	434404-01	4	4	4	4
4	PROTECTOR	071-0127-42	446569-01	1	1	1	1
5	PROTECTOR HOLDER	S.S	437379-01	1	1	1	1
6	BOLT	MFZNIII, 8x50	436206-01	4	4	4	4
7	CONDENSER - AIR-COOLED	-	210099-02	1	1	1	1
8	SHROUD	G.S	326872-01	1	1	1	1
9	BARRIER (A)	G.S	429880-01	1	1	1	1
10	BARRIER (B)	G.S	440555-01	1	-		
		G.S	440555-02		1	1	1
11	BARRIER (C)	G.S	442080G01	1	-		
		G.S	442080G02		1	1	1
12	COPPER TUBE	COPPER	220457G01	1	1	1	1
13	COPPER TUBE	COPPER	332434G01	1	1	1	1
14	DRIER	KC-6749	427061-01	1	1	1	1
15	STRAP	G.S	425427-01	1	1	1	1
16	COPPER TUBE	COPPER	220458-01	1	1	1	1
17	SOCKET	Ø12.7xØ12.7	436578-01	1	1	1	1
18	EXPANSION VALVE	HFE-10HHD-4	443968-01	1	1	1	1
19	COVER (A) - EXPANSION VALVE	PE FOAM	324313-01	1	1	1	1
20	COVER (B) - EXPANSION VALVE	PE FOAM	324313-02	1	1	1	1
21	CLAMP	D11-S	435254-04	2	x 2		
22	COPPER TUBE	COPPER	220459-01	1	1	1	1
23	INSULATION TUBE	7762-1030 , L=1600	220459-02	1	1	1	1
24	COPPER TUBE - ACCESS VALVE	COPPER	446731G01	1	1	1	1
25	ACCESS VALVE	TCJ-2F15-HD	417366-01	2	2	2	2
26	PRESSURE SWITCH	ACB-2UB05	433441-06	1	1	1	1
27	BRACKET - PRESSURE SWITCH	G.S	425506-01	1	1	1	1

HA

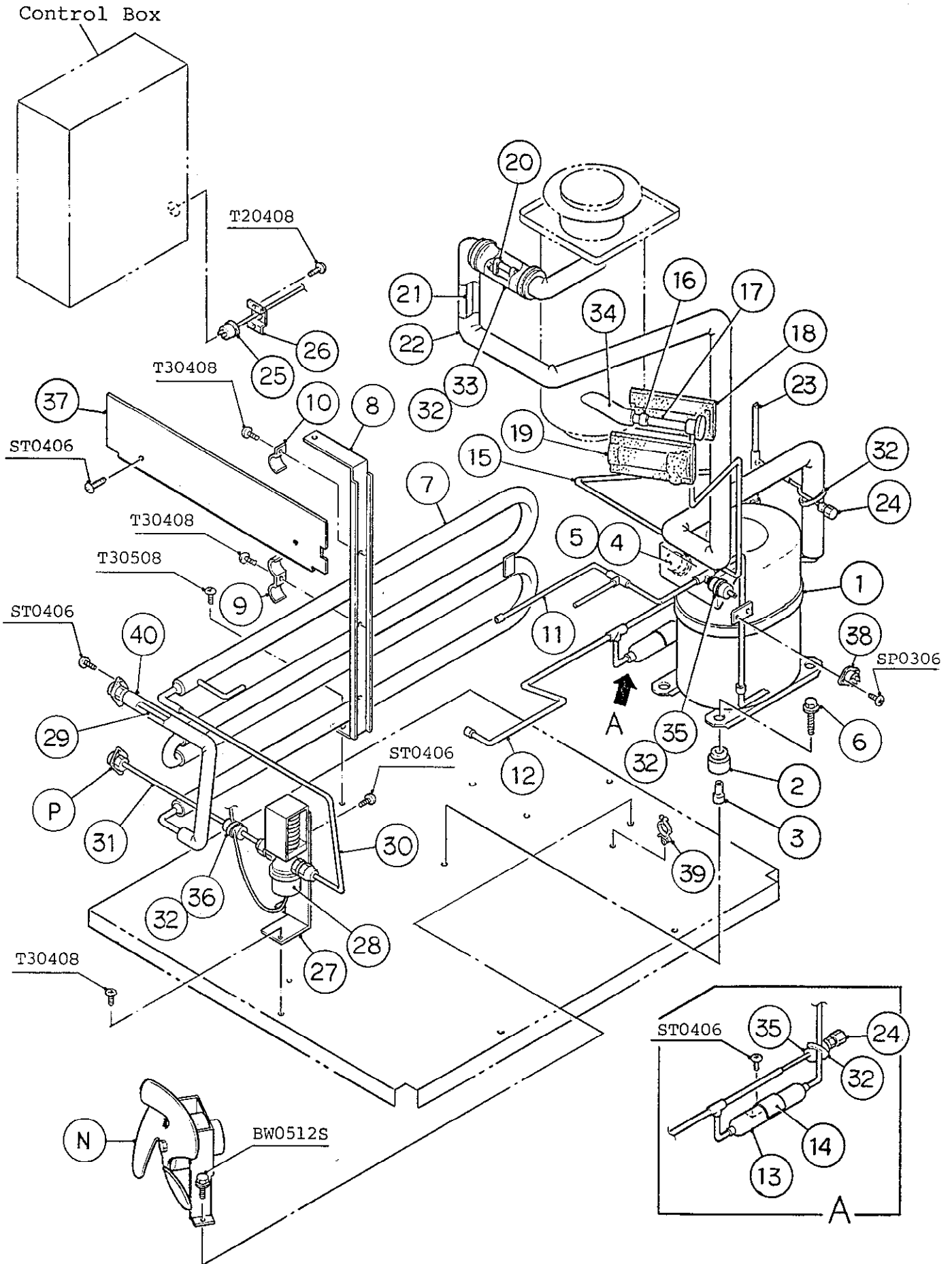
MODEL: DCM-700BAE		TITLE: C. REFRIGERATION CIRCUIT					
INDEX NO.	DESCRIPTION	MATERIAL OR MODEL NUMBER	PART NUMBER	REQ'D NUMBER			
				F-1	G-0	G-1	H-0
N	FAN MOTOR ASSY	(S-0662)	323357A01	1	1	1	1
1	COMPRESSOR	RSN6-0075-CAA	446521-01	1	1	1	1
2	GROMMET	027-0073-00	434403-01	4	4	4	4
3	SPACER	027-0072-02	434404-01	4	4	4	4
4	PROTECTOR	071-0127-42	446569-01	1	1	1	1
5	PROTECTOR HOLDER	S.S	437379-01	1	1	1	1
6	BOLT	MFZNIIII, 8x50	436206-01	4	4	4	4
7	CONDENSER - AIR-COOLED	-	210099-02	1	1	1	1
8	SHROUD	G.S	326872-01	1	1	1	1
9	BARRIER (A)	G.S	429880-01	1	1	1	1
10	BARRIER (B)	G.S	440555-02	1	1	1	1
11	BARRIER (C)	G.S	442080G02	1	1	1	1
12	COPPER TUBE	COPPER	220457G01	1	1	1	1
13	COPPER TUBE	COPPER	332434G01	1	1	1	1
14	DRIER	KC-6749	427061-01	1	1	1	1
15	STRAP	G.S	425427-01	1	1	1	1
16	COPPER TUBE	COPPER	220458-01	1	1	1	1
17	SOCKET	Ø12.7xØ12.7	436578-01	1	1	1	1
18	EXPANSION VALVE	HFE-10HHD-4	443968-01	1	1	1	1
19	COVER (A) - EXPANSION VALVE	PE FOAM	324313-01	1	1	1	1
20	COVER (B) - EXPANSION VALVE	PE FOAM	324313-02	1	1	1	1
21							
22	COPPER TUBE	COPPER	220459-01	1	1	1	1
23	INSULATION TUBE	7762-1030 , L=1600	220459-02	1	1	1	1
24	COPPER TUBE - ACCESS VALVE	COPPER	446731G01	1	1	1	1
25	ACCESS VALVE	TCJ-2F15-HD	417366-01	2	2	2	2
26	PRESSURE SWITCH	ACB-2UB05	433441-06	1	1	1	1
27	BRACKET - PRESSURE SWITCH	G.S	425506-01	1	1	1	1

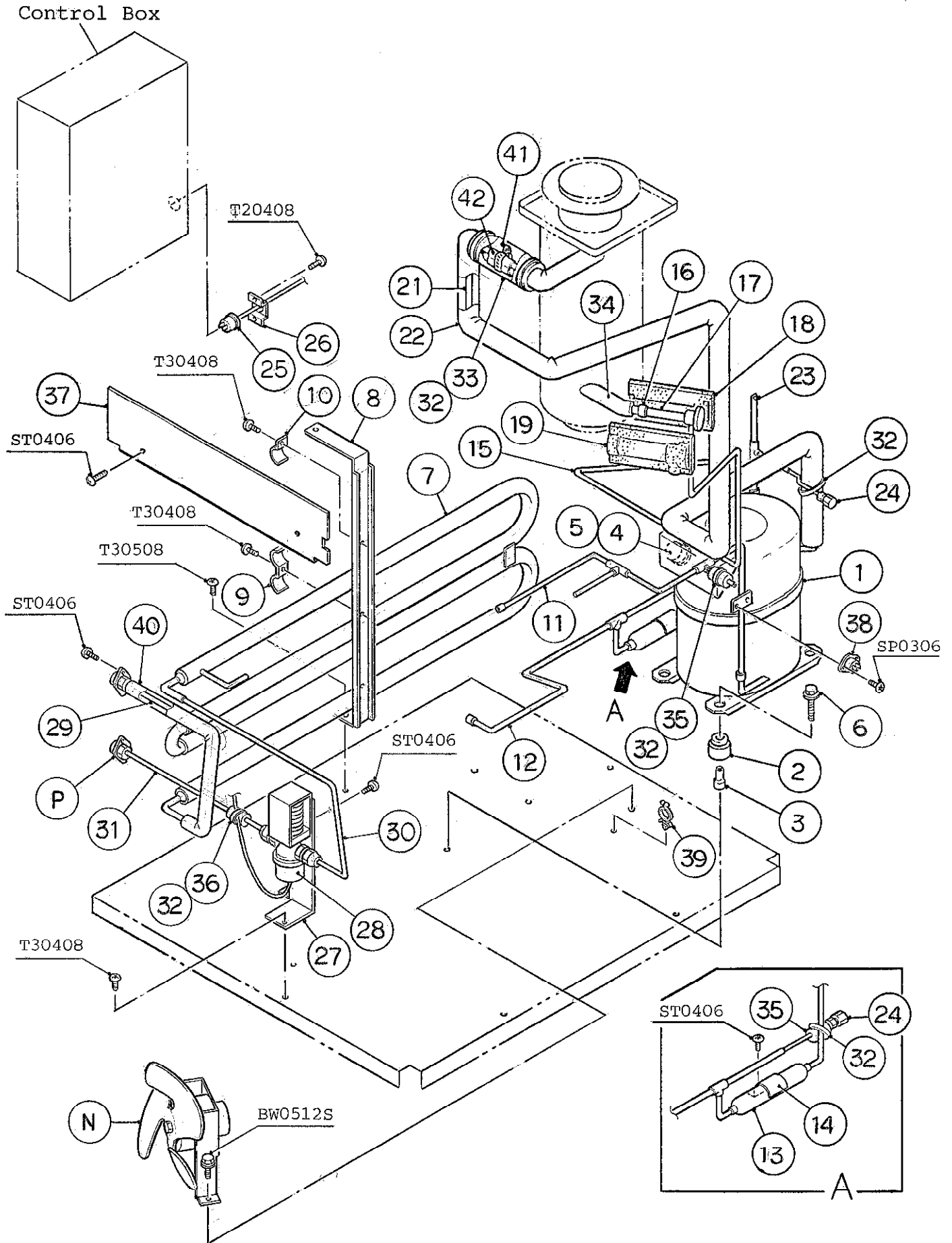
HA

MODEL: DCM-700BAE		TITLE: C. REFRIGERATION CIRCUIT					
INDEX NO.	DESCRIPTION	MATERIAL OR MODEL NUMBER	PART NUMBER	REQ'D NUMBER			
				C-1	D-1	E-0	F-0
28	TIE	CV-150	7920-0003	9	9	9	9
29	INSULATION TUBE	7762-2949, L=130	106805-37	1	1	1	1
30	INSULATION TUBE	7762-1323, L=80	106805-38	1	1	1	1
31	INSULATION TUBE	7762-0717, L=30	106805-39	2	2	2	2
32	CLAMP	SUS	443461-01		o 1	1	1
33	HOLDER / EXP. VALVE - 3/8	SUS	3A0107-01		o 1	1	1

HA

MODEL: DCM-700BAE				TITLE: C. REFRIGERATION CIRCUIT			
INDEX NO.	DESCRIPTION	MATERIAL OR MODEL NUMBER	PART NUMBER	REQ'D NUMBER			
				F-1	G-0	G-1	H-0
28	TIE	CV-150	7920-0003	9	9	9	9
29	INSULATION TUBE	7762-2949, L=130	106805-37	1	1	1	1
30	INSULATION TUBE	7762-1323, L=80	106805-38	1	1	1	1
31	INSULATION TUBE	7762-0717, L=30	106805-39	2	2	2	2
32	CLAMP	SUS	443461-01	1	1	1	1
33	HOLDER / EXP. VALVE - 3/8	SUS	3A0107-01	1	1	1	1





HA

MODEL: DCM-700BWE		TITLE: C. REFRIGERATION CIRCUIT					
INDEX NO.	DESCRIPTION	MATERIAL OR MODEL NUMBER	PART NUMBER	REQ'D NUMBER			
				C-1	D-0	E-0	F-1
N	FAN MOTOR ASSY	-	209823A01	1	1	1	1
P	FITTING (P) ASSY	(S-0351)	311425A01	2	2	2	2
1	COMPRESSOR	RSN6-0075-CAA	446521-01	1	1	1	1
2	GROMMET	027-0073-00	434403-01	4	4	4	4
3	SPACER	027-0072-02	434404-01	4	4	4	4
4	PROTECTOR	071-0127-42	446569-01	1	1	1	1
5	PROTECTOR HOLDER	S.S	437379-01	1	1	1	1
6	BOLT	MFZNIII, 8x50	436206-01	4	4	4	4
7	CONDENSER - WATER-COOLED	(S-0825)	219750G02	1	1	1	1
8	BRACE - CONDENSER	G.S	319408-01	1	1	1	1
9	CLAMP (A)	G.S	422985-01	1	1	1	1
10	CLAMP (B)	G.S	422986-01	2	2	2	2
11	COPPER TUBE	COPPER	220460G01	1	1	1	1
12	COPPER TUBE	COPPER	332435G01	1	1	1	1
13	DRIER	KC-6749	427061-01	1	1	1	1
14	STRAP	G.S	425427-01	1	1	1	1
15	COPPER TUBE	COPPER	220458-01	1	1	1	1
16	SOCKET	Ø12.7xØ12.7	436578-01	1	1	1	1
17	EXPANSION VALVE	HFE-10HHD-4	443968-01	1	1	1	1
18	COVER (A) - EXPANSION VALVE	PE FOAM	324313-01	1	1	1	1
19	COVER (B) - EXPANSION VALVE	PE FOAM	324313-02	1	1	1	1
20	CLAMP	D11-S	435254-04	2	x 2		
21	COPPER TUBE	COPPER	220459-01	1	1	1	1
22	INSULATION TUBE	7762-1030 , L=1600	220459-02	1	1	1	1
23	COPPER TUBE - ACCESS VALVE	COPPER	446731G01	1	1	1	1
24	ACCESS VALVE	TCJ-2F15-HD	417366-01	2	2	2	2
25	PRESSURE SWITCH	ACB-2UB05	433441-06	1	1	1	1
26	BRACKET - PRESSURE SWITCH	G.S	425506-01	1	1	1	1
27	BRACKET - WATER REGULATOR	G.S	326875-01	1	1	1	1
28	WATER REGULATOR	WVII-33RHD-1	415425-02	1	1	1	1

HA

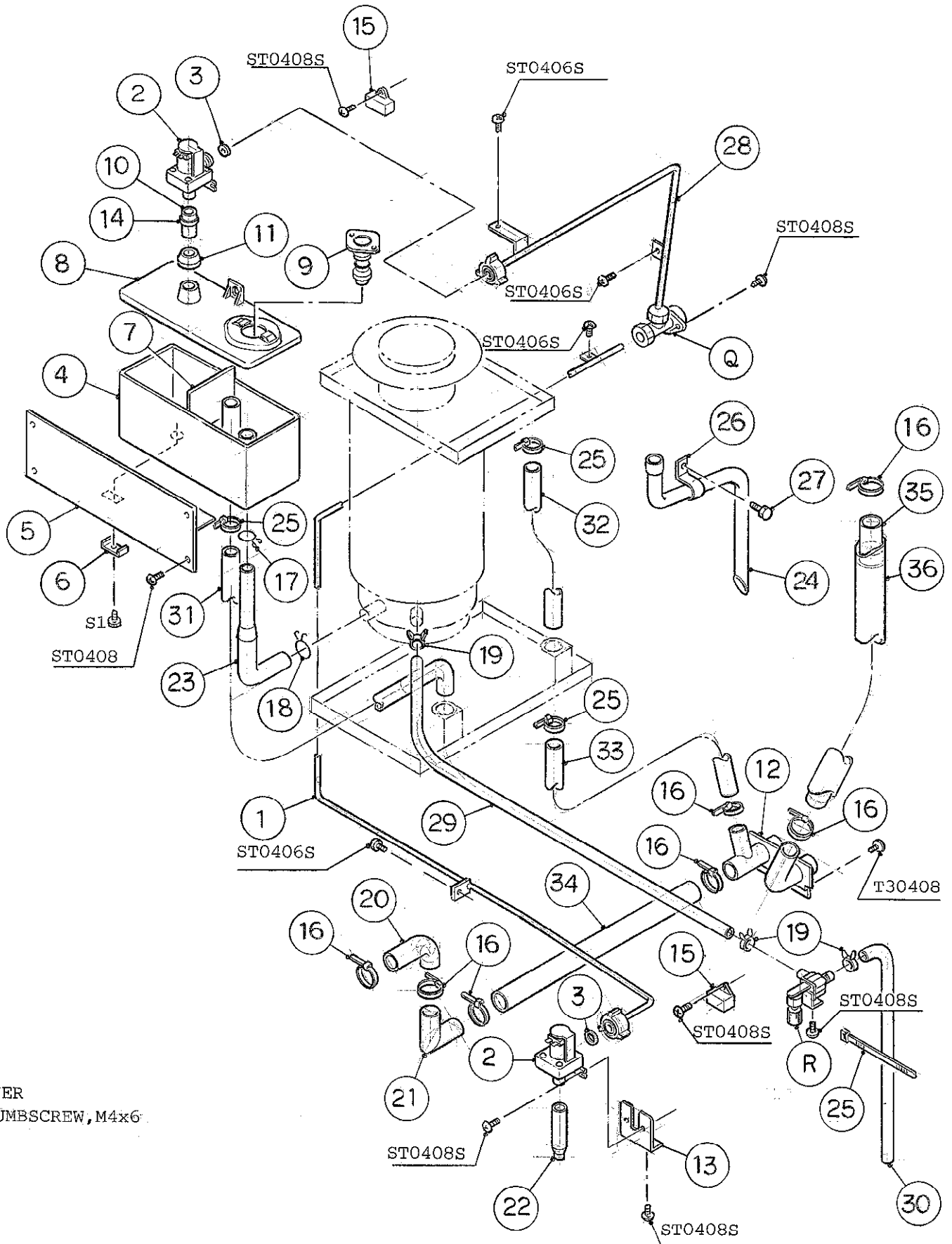
MODEL: DCM-700BWE		TITLE: C. REFRIGERATION CIRCUIT					
INDEX NO.	DESCRIPTION	MATERIAL OR MODEL NUMBER	PART NUMBER	REQ'D NUMBER			
				G-0	H-0		
N	FAN MOTOR ASSY	-	209823A01	1	1		
P	FITTING (P) ASSY	(S-0351)	311425A01	2	2		
1	COMPRESSOR	RSN6-0075-CAA	446521-01	1	1		
2	GROMMET	027-0073-00	434403-01	4	4		
3	SPACER	027-0072-02	434404-01	4	4		
4	PROTECTOR	071-0127-42	446569-01	1	1		
5	PROTECTOR HOLDER	S.S	437379-01	1	1		
6	BOLT	MFZNIII, 8x50	436206-01	4	4		
7	CONDENSER - WATER-COOLED	(S-0825)	219750G02	1	1		
8	BRACE - CONDENSER	G.S	319408-01	1	1		
9	CLAMP (A)	G.S	422985-01	1	1		
10	CLAMP (B)	G.S	422986-01	2	2		
11	COPPER TUBE	COPPER	220460G01	1	1		
12	COPPER TUBE	COPPER	332435G01	1	1		
13	DRIER	KC-6749	427061-01	1	1		
14	STRAP	G.S	425427-01	1	1		
15	COPPER TUBE	COPPER	220458-01	1	1		
16	SOCKET	Ø12.7xØ12.7	436578-01	1	1		
17	EXPANSION VALVE	HFE-10HHD-4	443968-01	1	1		
18	COVER (A) - EXPANSION VALVE	PE FOAM	324313-01	1	1		
19	COVER (B) - EXPANSION VALVE	PE FOAM	324313-02	1	1		
20							
21	COPPER TUBE	COPPER	220459-01	1	1		
22	INSULATION TUBE	7762-1030 , L=1600	220459-02	1	1		
23	COPPER TUBE - ACCESS VALVE	COPPER	446731G01	1	1		
24	ACCESS VALVE	TCJ-2F15-HD	417366-01	2	2		
25	PRESSURE SWITCH	ACB-2UB05	433441-06	1	1		
26	BRACKET - PRESSURE SWITCH	G.S	425506-01	1	1		
27	BRACKET - WATER REGULATOR	G.S	326875-01	1	1		
28	WATER REGULATOR	WVII-33RHD-1	415425-02	1	1		

HA

MODEL: DCM-700BWE		TITLE: C. REFRIGERATION CIRCUIT					
INDEX NO.	DESCRIPTION	MATERIAL OR MODEL NUMBER	PART NUMBER	REQ'D NUMBER			
				C-1	D-0	E-0	F-1
29	PIPE - WATER SUPPLY	COPPER	430368-01	1	1	1	1
30	COPPER TUBE (A) - DRAIN	COPPER	440707G01	1	1	1	1
31	COPPER TUBE (B) - DRAIN	COPPER	440708G01	1	1	1	1
32	TIE	CV-150	7920-0003	10	10	10	10
33	INSULATION TUBE	7762-1949, L=130	106806-43	1	1	1	1
34	INSULATION TUBE	7762-1323, L=80	106806-44	1	-		
		7762-2040, L=80	106806-44		1	1	1
35	INSULATION TUBE	7762-0717, L=30	106806-45	2	2	2	2
36	INSULATION TUBE	7762-1020, L=30	106806-46	1	1	1	1
37	BARRIER - LEADS	G.S	446606-01	1	1	1	1
38	THERMOSTAT	CS-12A	440664-01	1	1	1	1
39	CLAMP	NO.249	427902-03	1	1	1	1
40	INSULATION TUBE	7762-1020, L=340	106806-54	1	1	1	1
41	CLAMP	SUS	443461-01		o 1	1	1
42	HOLDER / EXP. VALVE - 3/8	SUS	3A0107-01		o 1	1	1

HA

MODEL: DCM-700BWE				TITLE: C. REFRIGERATION CIRCUIT			
INDEX NO.	DESCRIPTION	MATERIAL OR MODEL NUMBER	PART NUMBER	REQ'D NUMBER			
				G-0	H-0		
29	PIPE - WATER SUPPLY	COPPER	430368-01	1	1		
30	COPPER TUBE (A) - DRAIN	COPPER	440707G01	1	1		
31	COPPER TUBE (B) - DRAIN	COPPER	440708G01	1	1		
32	TIE	CV-150	7920-0003	10	10		
33	INSULATION TUBE	7762-1949, L=130	106806-43	1	1		
34	INSULATION TUBE	7762-2040 , L=80	106806-44	1	1		
35	INSULATION TUBE	7762-0717, L=30	106806-45	2	2		
36	INSULATION TUBE	7762-1020 , L=30	106806-46	1	1		
37	BARRIER - LEADS	G.S	446606-01	1	1		
38	THERMOSTAT	CS-12A	440664-01	1	1		
39	CLAMP	NO.249	427902-03	1	1		
40	INSULATION TUBE	7762-1020 , L=340	106806-54	1	1		
41	CLAMP	SUS	443461-01	1	1		
42	HOLDER / EXP. VALVE - 3/8	SUS	3A0107-01	1	1		



FASTENER
S1. THUMBSCREW, M4x6

HA

MODEL: DCM-700BAE, BWE TITLE: D. WATER CIRCUIT							
INDEX NO.	DESCRIPTION	MATERIAL OR MODEL NUMBER	PART NUMBER	REQ'D NUMBER			
				C-1	D-0	D-1 E-0 F-0	F-1
Q	FITTING (N) ASSY	(S-0346)	311215A01	1	1	1	1
R	VALVE ASSY	-	320803A02	1	1	1	1
1	WATER SUPPLY PIPE (A)	S.S	216089G01	1	1	1	1
2	WATER VALVE	J246-086	3U0065-01	2	2	2	2
3	PACKING	NBR	413854-03	2	2	2	2
4	RESERVOIR	ABS	208125-01	1	1	1	1
5	BRACKET - RESERVOIR	G.S	319108-01	1	1	1	1
6	COLLAR	S.S	423416-01	1	1	1	1
7	SEPARATOR - RESERVOIR	ABS	423538-02	1	1	1	1
8	COVER - RESERVOIR	ABS	208126-01	1	1	1	1
9	FLOAT SWITCH	TW-1221-101	435490-01	1	1	1	1
10	HOSE (C) - WATER SUPPLY	EVA	425289-02	1	1	1	1
11	COVER - RESERVOIR INLET	SI. R	415094-01	1	1	1	1
12	PIPE - DRAIN	G.S	430919G01	1	1	1	1
13	BRACKET - WATER VALVE	S.S	439769-01	1	1	1	1
14	CLAMP	SK-16	435934-04	1	1	1	1
15	NOISE REDUCER	SK25B 204B12003	3U0096-01	2	2	2	2
16	TIE	CV-200	7920-0010	7	7	7	7
17	CLAMP	SK-18.3	435934-06	1	1	1	1
18	CLAMP	SK-25	435934-07	1	1	1	1
19	CLIP BAND (C)	T12	423866-03	3	3	3	3
20	HOSE - DRAIN	EPDM	442084-01	1	1	1	1
21	ELBOW	S.S	440542G01	1	1	1	1
22	NOZZLE	SI.R	429750-01	1	1	1	1
23	HOSE - WATER SUPPLY	EPDM	428615-05	1	1	1	1
24	PIPE - DRAIN	-	320836-01	1	1	1	1
25	TIE	CV-150	7920-0003	4	4	4	4
26	BRACKET	S.S	432496-01	1	1	1	1
27	THUMBSCREW	S.S, ABS	415949G04	1	1	1	1
28	WATER SUPPLY PIPE (B)	S.S	212639G01	1	1	1	1

HA

MODEL: DCM-700BAE, BWE TITLE: D. WATER CIRCUIT							
INDEX NO.	DESCRIPTION	MATERIAL OR MODEL NUMBER	PART NUMBER	REQ'D NUMBER			
				F-1 G-0	G-1 H-0		
Q	FITTING (N) ASSY	(S-0346)	311215A01	1	1		
R	VALVE ASSY	-	320803A02	1	1		
1	WATER SUPPLY PIPE (A)	S.S	216089G01	1	1		
2	WATER VALVE	J246-086	3U0065-01	2	2		
3	PACKING	NBR	413854-03	2	2		
4	RESERVOIR	ABS	208125-01	1	1		
5	BRACKET - RESERVOIR	G.S	319108-01	1	1		
6	COLLAR	S.S	423416-01	1	1		
7	SEPARATOR - RESERVOIR	ABS	423538-02	1	1		
8	COVER - RESERVOIR	ABS	208126-01	1	1		
9	FLOAT SWITCH	TW-1221-101	435490-01	1	1		
10	HOSE (C) - WATER SUPPLY	EVA	425289-02	1	1		
11	COVER - RESERVOIR INLET	SI. R	415094-01	1	1		
12	PIPE - DRAIN	G.S	430919G01	1	1		
13	BRACKET - WATER VALVE	S.S	439769-01	1	1		
14	CLAMP	SK-16	435934-04	1	1		
15	NOISE REDUCER	SK25B 204B12003	3U0096-01	2	2		
16	TIE	CV-200	7920-0010	7	7		
17	CLAMP	SK-18.3	435934-06	1	1		
18	CLAMP	SK-25	435934-07	1	1		
19	CLIP BAND (C)	T12	423866-03	3	3		
20	HOSE - DRAIN	EPDM	442084-01	1	1		
21	ELBOW	S.S	440542G01	1	1		
22	NOZZLE	SI.R	429750-01	1	1		
23	HOSE - WATER SUPPLY	EPDM	428615-05	1	1		
24	PIPE - DRAIN	-	320836-01	1	1		
25	TIE	CV-150	7920-0003	4	4		
26	BRACKET	S.S	432496-01	1	1		
27	THUMBSCREW	S.S, ABS	415949G04	1	1		
28	WATER SUPPLY PIPE (B)	S.S	212639G01	1	1		

HA

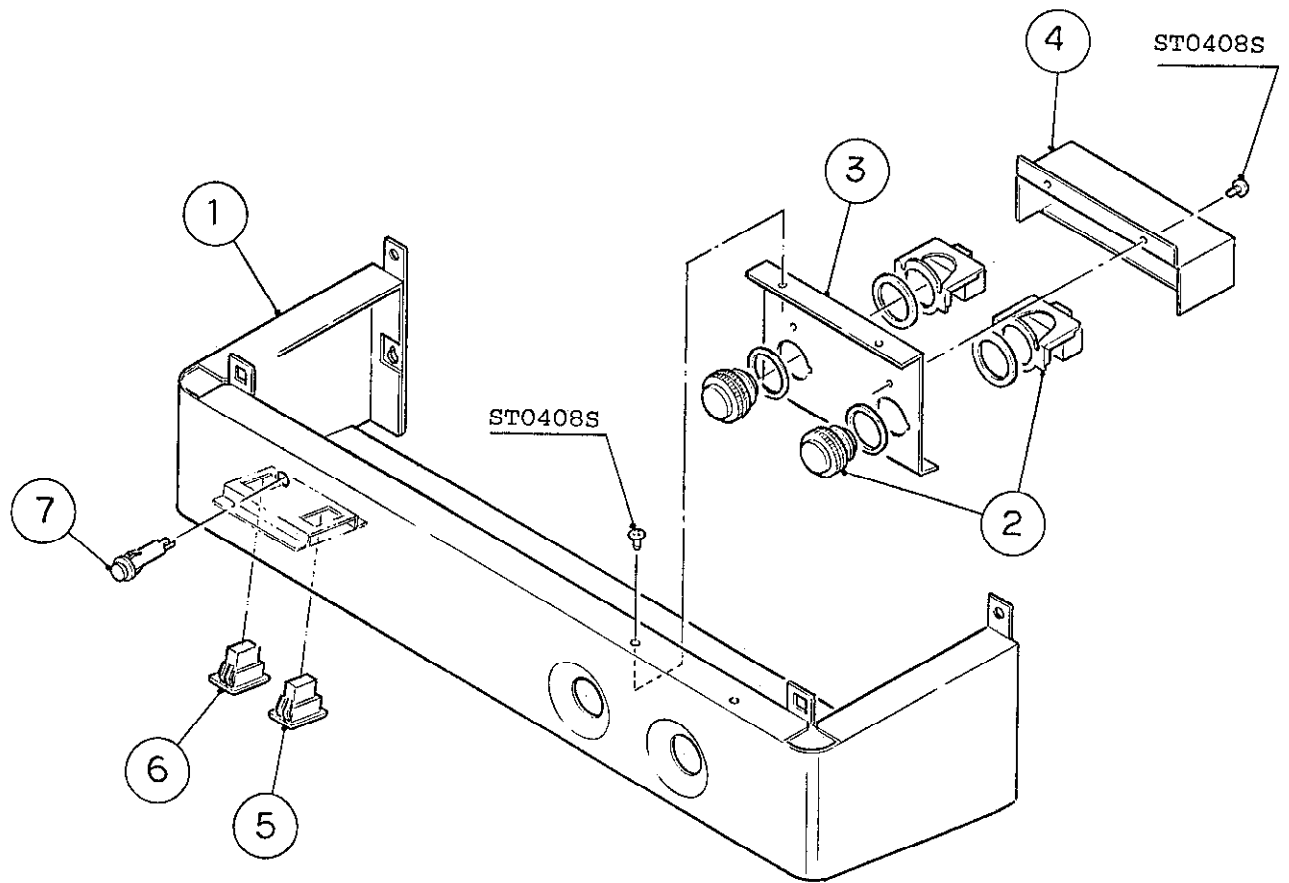
MODEL: DCM-700BAE, BWE TITLE: D. WATER CIRCUIT							
INDEX NO.	DESCRIPTION	MATERIAL OR MODEL NUMBER	PART NUMBER	REQ'D NUMBER			
				C-1	D-0	D-1 E-0 F-0	F-1
29	VINYL HOSE	Ø9xØ12xL760	105365-28	1	1	1	1
30	VINYL HOSE	Ø9xØ12xL450	105365-32	1	1	1	1
31	SILICONE HOSE	Ø18xØ22xL470	105365-33	1	1	1	1
32	VINYL HOSE	Ø19xØ23xL485	105365-34	1	1	1	1
33	VINYL HOSE	Ø19xØ23xL505	105365-35	1	1	1	1
34	VINYL HOSE	Ø25xØ30xL400	105365-38	1	1	1	1
35	VINYL HOSE	Ø25xØ30xL560	105365-39	1	1	1	1
36	INSULATION TUBE	Ø29xØ43xL605	105365-40	1	1	1	1

HA

MODEL: DCM-700BAE, BWE TITLE: D. WATER CIRCUIT							
INDEX NO.	DESCRIPTION	MATERIAL OR MODEL NUMBER	PART NUMBER	REQ'D NUMBER			
				F-1 G-0	G-1 H-0		
29	VINYL HOSE	Ø9xØ12xL760	105365-28	1	1		
30	VINYL HOSE	Ø9xØ12xL450	105365-32	1	1		
31	SILICONE HOSE	Ø18xØ22xL470	105365-33	1	1		
32	VINYL HOSE	Ø19xØ23xL485	105365-34	1	1		
33	VINYL HOSE	Ø19xØ23xL505	105365-35	1	1		
34	VINYL HOSE	Ø25xØ30xL400	105365-38	1	1		
35	VINYL HOSE	Ø25xØ30xL560	105365-39	1	1		
36	INSULATION TUBE	Ø29xØ43xL605	105365-40	1	1		

HA
DCM-700BAE, BWE

(H-0)
(F-0)(F-1)(G-0)(G-1)
E. MIDDLE FRONT PANEL ASSY (C-1)(D-0)(D-1)(E-0)



HA

MODEL: DCM-700BAE, BWE				TITLE: E. MIDDLE FRONT PANEL ASSY			
INDEX NO.	DESCRIPTION	MATERIAL OR MODEL NUMBER	PART NUMBER	REQ'D NUMBER			
				C-1	D-0	D-1 E-0 F-0	F-1
1	MIDDLE FRONT PANEL	G.S	216081G02	1	1	1	1
2	PUSH SW.	ZAP-1B(UL)	435745-02	2	2	2	2
3	SW. BRACKET	S.S	439780-01	1	1	1	1
4	SW. COVER	S.S	439781-01	1	1	1	1
5	ROCKER SWITCH	HLS 112D	421491-08	1	1	1	1
6	ROCKER SWITCH	HLS 112A	421490-01	1	1	1	1
7	LAMP	621T-2	446400-01	1	1	1	1

HA

MODEL: DCM-700BAE, BWE		TITLE: E. MIDDLE FRONT PANEL ASSY					
INDEX NO.	DESCRIPTION	MATERIAL OR MODEL NUMBER	PART NUMBER	REQ'D NUMBER			
				F-1 G-0	G-1 H-0		
1	MIDDLE FRONT PANEL	G.S	216081G02	1	1		
2	PUSH SW.	ZAP-1B(UL)	435745-02	2	2		
3	SW. BRACKET	S.S	439780-01	1	1		
4	SW. COVER	S.S	439781-01	1	1		
5	ROCKER SWITCH	HLS 112D	421491-08	1	1		
6	ROCKER SWITCH	HLS 112A	421490-01	1	1		
7	LAMP	621T-2	446400-01	1	1		

HA

DCM-700BAE, BWE

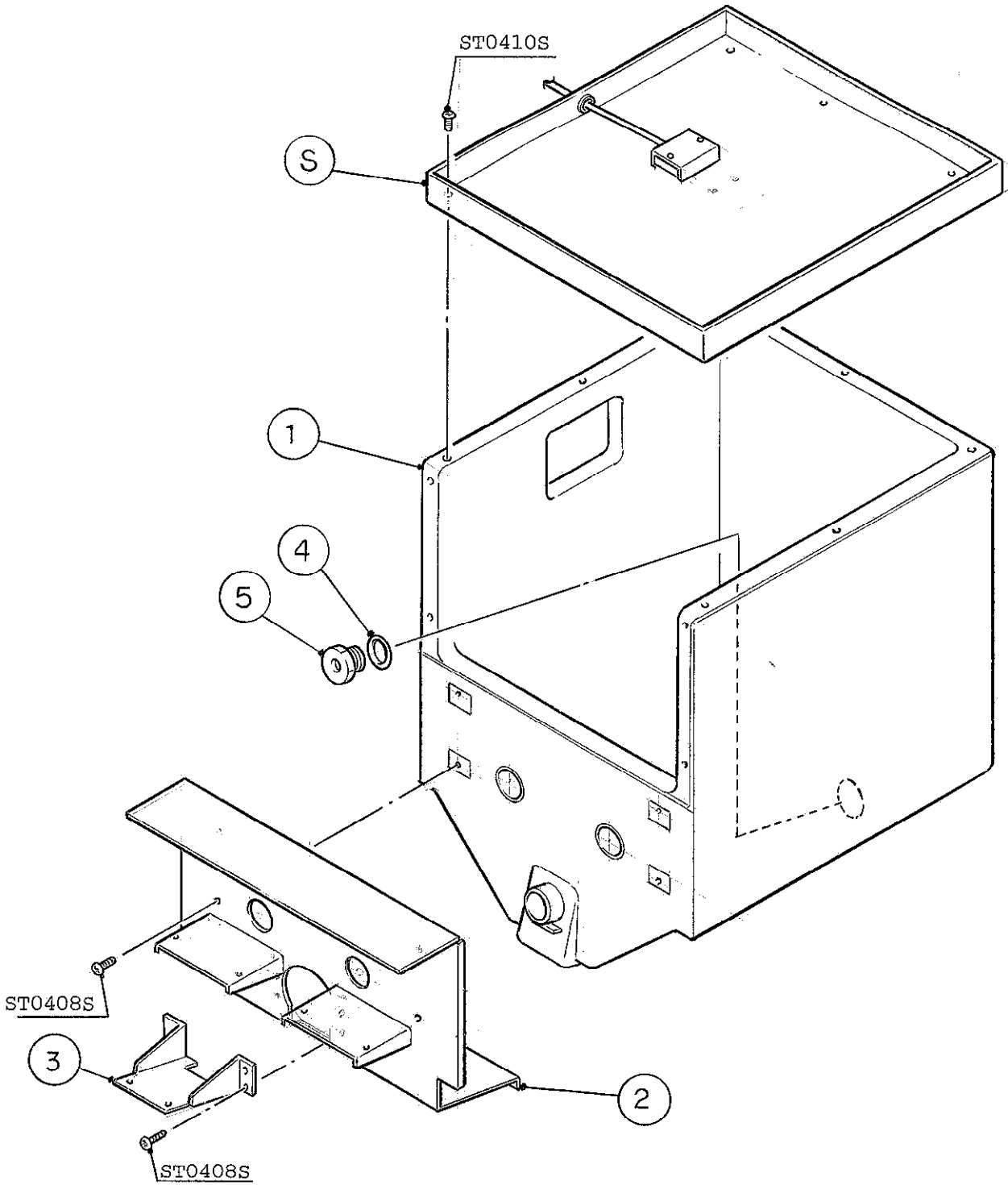
F. BIN ASSY.

(H-0)

(F-0)(F-1)(G-0)(G-1)

(C-1)(D-0)(D-1)(E-0)

104



HA

MODEL: DCM-700BAE, BWE TITLE: F. BIN ASSY							
INDEX NO.	DESCRIPTION	MATERIAL OR MODEL NUMBER	PART NUMBER	REQ'D NUMBER			
				C-1	D-0	D-1 E-0 F-0	F-1
S	COVER ASSY - BIN TOP	-	319021A02	1	1	1	1
1	BIN - FOAMED	-	104003G01	1	1	1	1
2	COVER	S.S	211177G02	1	1	1	1
3	BRACKET - SLIDING	S.S	320675-01	1	1	1	1
4	"O" RING	P32	7616-P032	3	3	3	3
5	SHAFT HOLDER (C)	AC	429818-01	3	3	3	3

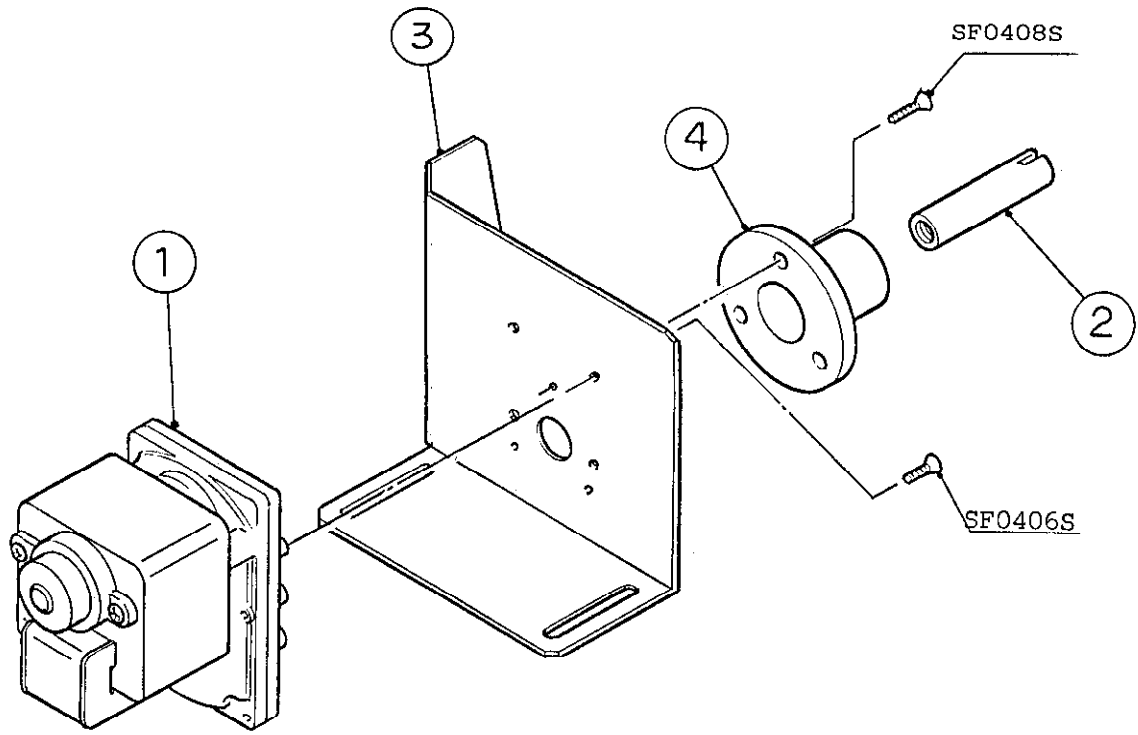
HA

MODEL: DCM-700BAE, BWE		TITLE: F. BIN ASSY					
INDEX NO.	DESCRIPTION	MATERIAL OR MODEL NUMBER	PART NUMBER	REQ'D NUMBER			
				F-1 G-0	G-1 H-0		
S	COVER ASSY - BIN TOP	-	319021A02	1	1		
1	BIN - FOAMED	-	104003G01	1	1		
2	COVER	S.S	211177G02	1	1		
3	BRACKET - SLIDING	S.S	320675-01	1	1		
4	"O" RING	P32	7616-P032	3	3		
5	SHAFT HOLDER (C)	AC	429818-01	3	3		

HA
DCM-700BAE, BWE

G. GEAR MOTOR ASSY

(H-0)
(F-0)(F-1)(G-0)(G-1)
(C-1)(D-0)(D-1)(E-0)



HA

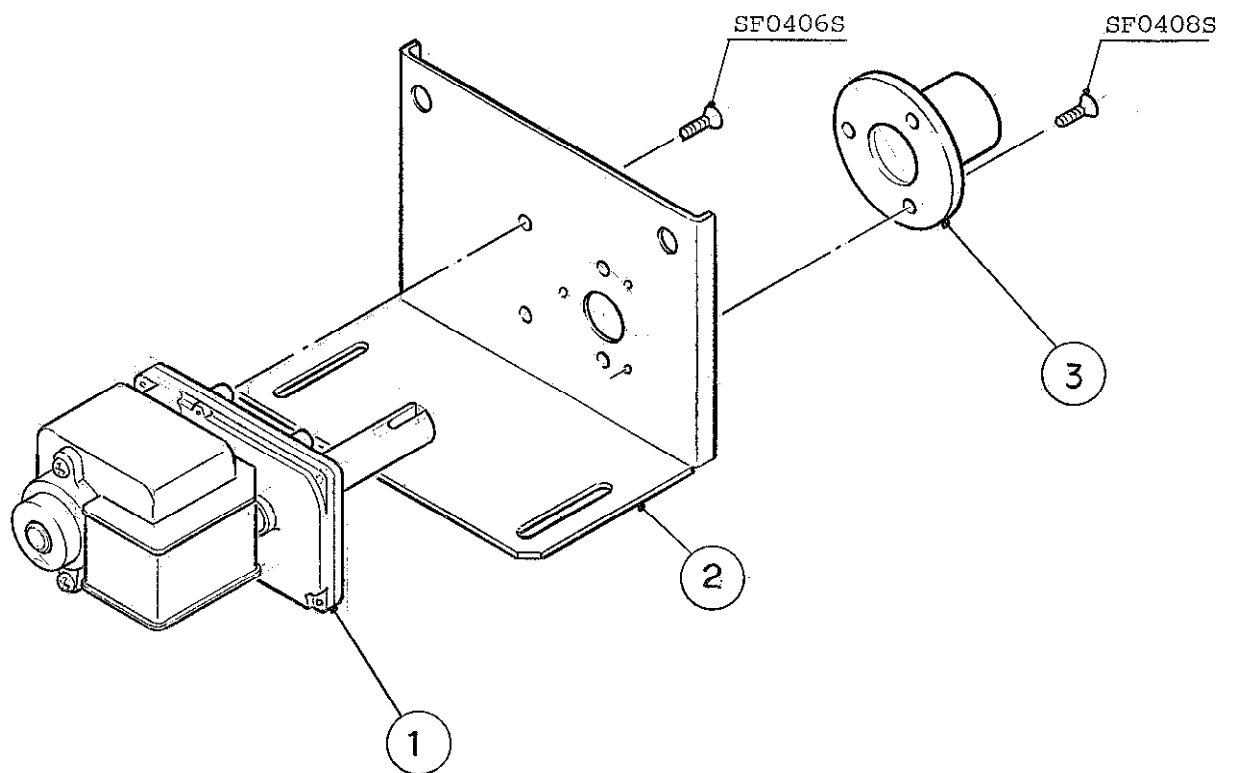
MODEL: DCM-700BAE, BWE TITLE: G. GEAR MOTOR ASSY							
INDEX NO.	DESCRIPTION	MATERIAL OR MODEL NUMBER	PART NUMBER	REQ'D NUMBER			
				F-1 G-0	G-1 H-0		
1	GEAR MOTOR	GN6-005A(F225)	2U0080-04	1	1		
2	JOINT	S.S	429764-01	1	1		
3	BRACKET - GEAR MOTOR	S.S	320676-01	1	1		
4	PLASTIC SLEEVE	AC	429761-01	1	1		

HA

DCM-700BAE, BWE

H. GEAR MOTOR ASSY (L)

(H-0)
(F-0)(F-1)(G-0)(G-1)
(C-1)(D-0)(D-1)(E-0)



HA

MODEL: DCM-700BAE, BWE TITLE: H. GEAR MOTOR ASSY (L)							
INDEX NO.	DESCRIPTION	MATERIAL OR MODEL NUMBER	PART NUMBER	REQ'D NUMBER			
				C-1	D-0	D-1 E-0 F-0	F-1
1	GEAR MOTOR	GN6-005A (F435)	2U0099-01	1	1	1	1
2	BRACKET - GEAR MOTOR	S.S	432843-01	1	1	1	1
3	PLASTIC SLEEVE	AC	429761-01	1	1	1	1

HA

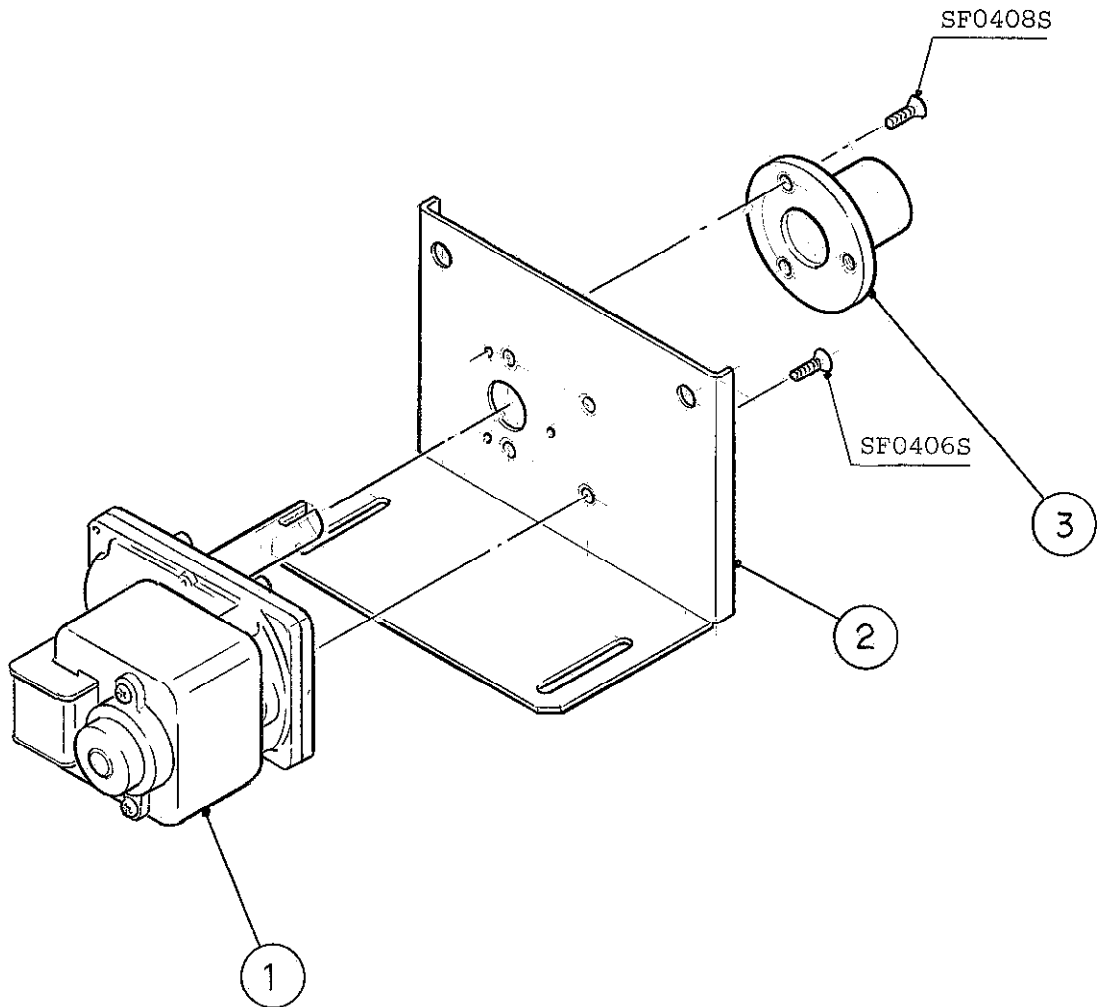
MODEL: DCM-700BAE, BWE TITLE: H. GEAR MOTOR ASSY (L)							
INDEX NO.	DESCRIPTION	MATERIAL OR MODEL NUMBER	PART NUMBER	REQ'D NUMBER			
				F-1 G-0	G-1 H-0		
1	GEAR MOTOR	GN6-005A (F435)	2U0099-01	1	1		
2	BRACKET - GEAR MOTOR	S.S	432843-01	1	1		
3	PLASTIC SLEEVE	AC	429761-01	1	1		

HA

DCM-700BAE, BWE

J. GEAR MOTOR ASSY (R)

(H-0)
(F-0)(F-1)(G-0)(G-1)
(C-1)(D-0)(D-1)(E-0)



HA

MODEL: DCM-700BAE, BWE TITLE: J. GEAR MOTOR ASSY (R)							
INDEX NO.	DESCRIPTION	MATERIAL OR MODEL NUMBER	PART NUMBER	REQ'D NUMBER			
				C-1	D-0	D-1 E-0 F-0	F-1
1	GEAR MOTOR	GN6-005A (F435)	2U0099-01	1	1	1	1
2	BRACKET - GEAR MOTOR	S.S	432842-01	1	1	1	1
3	PLASTIC SLEEVE	AC	429761-01	1	1	1	1

HA

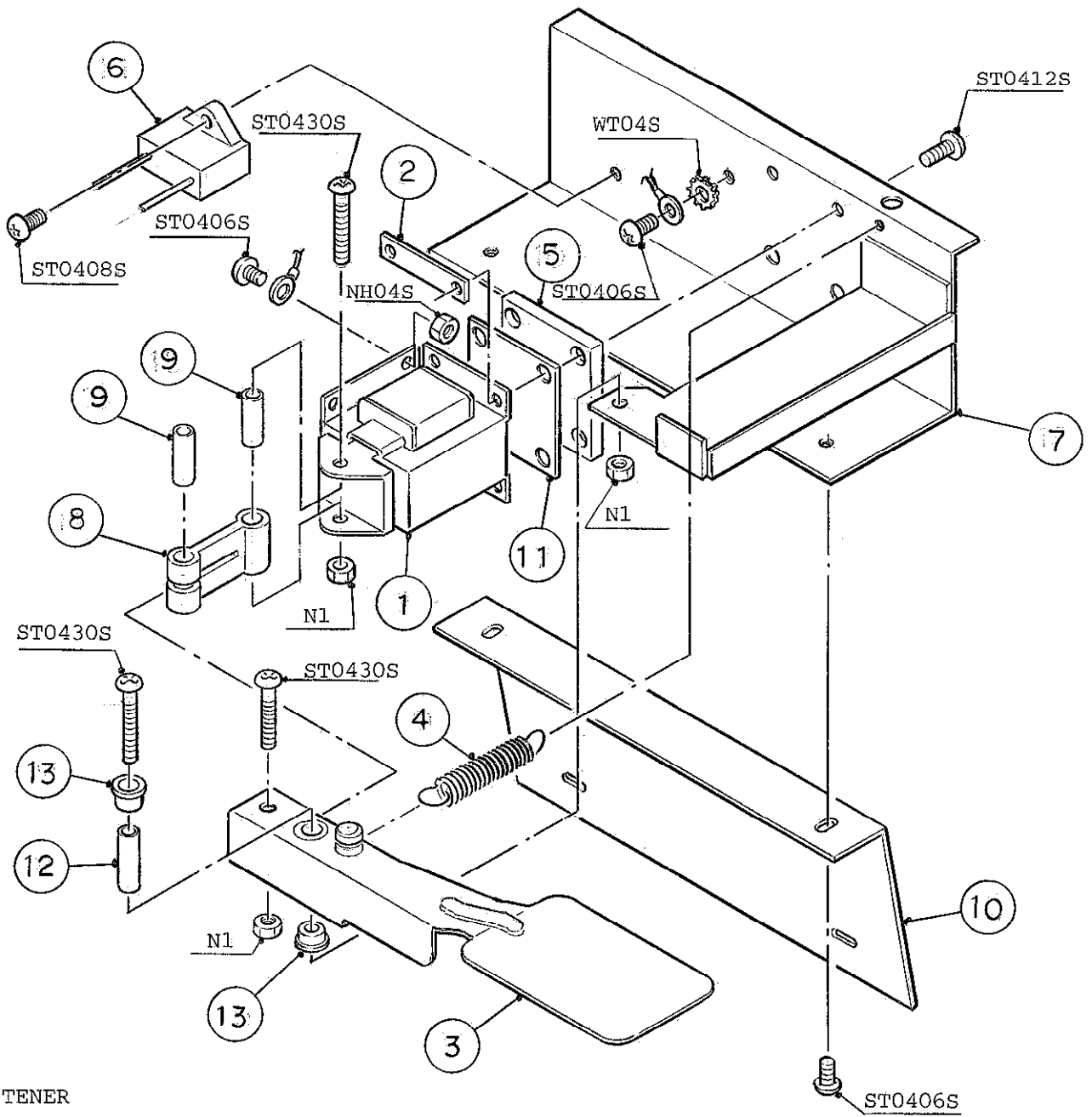
MODEL: DCM-700BAE, BWE TITLE: J. GEAR MOTOR ASSY (R)							
INDEX NO.	DESCRIPTION	MATERIAL OR MODEL NUMBER	PART NUMBER	REQ'D NUMBER			
				F-1 G-0	G-1 H-0		
1	GEAR MOTOR	GN6-005A (F435)	2U0099-01	1	1		
2	BRACKET - GEAR MOTOR	S.S	432842-01	1	1		
3	PLASTIC SLEEVE	AC	429761-01	1	1		

HA

DCM-700BAE, BWE

K. SHUTTER ASSY

(H-0)
(F-0)(F-1)(G-0)(G-1)
(C-1)(D-0)(D-1)(E-0)



FASTENER

N1 - U-Nut, STAINLESS, M4

HA

MODEL: DCM-700BAE, BWE TITLE: K. SHUTTER ASSY							
INDEX NO.	DESCRIPTION	MATERIAL OR MODEL NUMBER	PART NUMBER	REQ'D NUMBER			
				C-1	D-0	D-1 E-0 F-0	F-1
1	SOLENOID	AS-04-A117	3U0095-01	1	1	1	1
2	NUT	S.S	429723-01	2	2	2	2
3	LEVER	S.S	318976G02	1	1	1	1
4	SPRING	S.S	432878-01	1	1	1	1
5	PACKING	SY.R	430380-01	1	1	1	1
6	NOISE REDUCER	SK25B 204B12003	3U0096-01	1	1	1	1
7	BASE	S.S	320906G02	1	1	1	1
8	LINK	AC	432232-01	1	1	1	1
9	COLLAR (D)	S.S	432471-01	2	2	2	2
10	BASE (B)	S.S	320684-01	1	1	1	1
11	COVER - PACKING	S.S	431623-01	1	1	1	1
12	COLLAR (E)	S.S	432240-02	1	1	1	1
13	PLASTIC SLEEVE INSERT	R-ARF0608	432235-01	2	2	2	2

HA

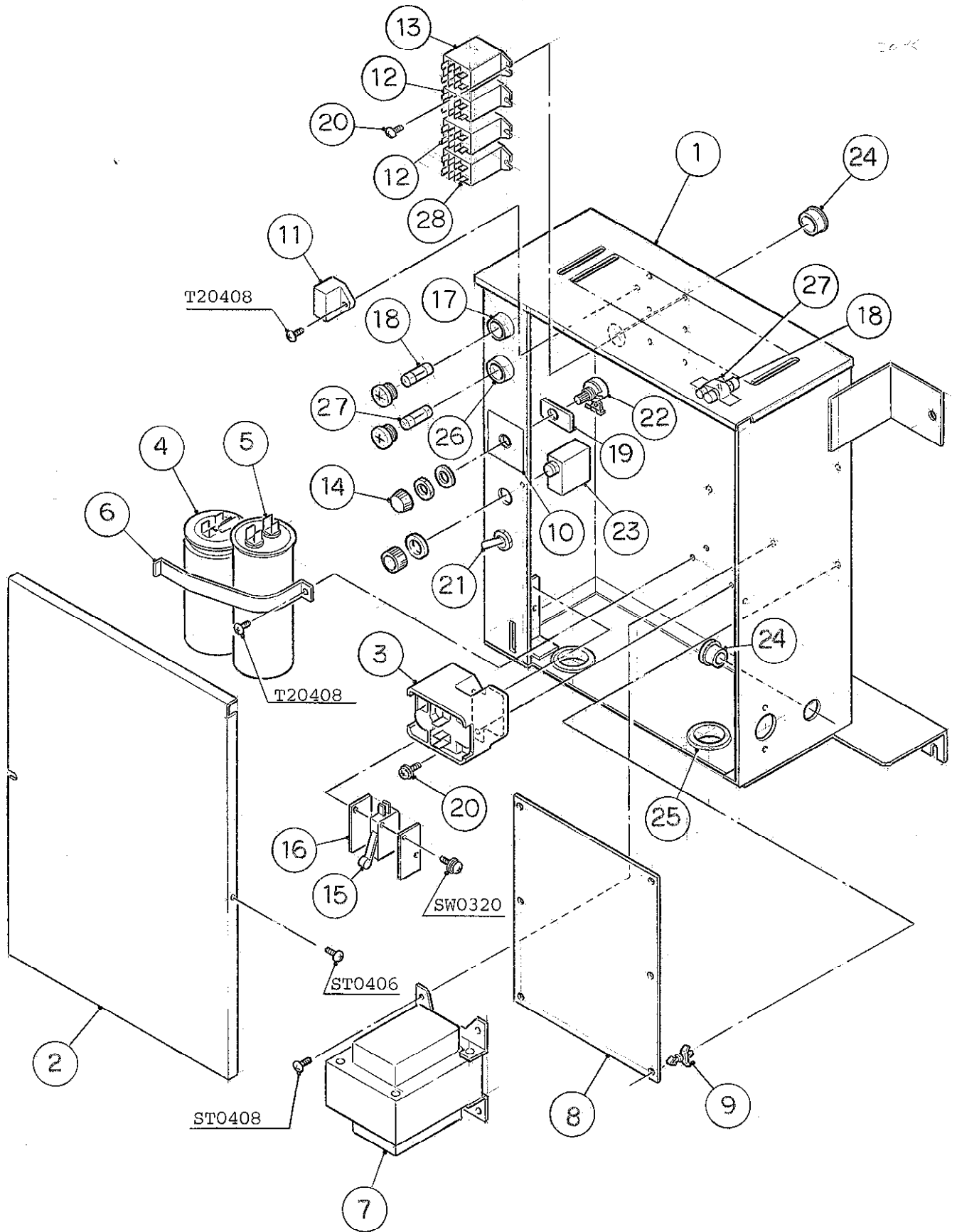
MODEL: DCM-700BAE, BWE TITLE: K. SHUTTER ASSY							
INDEX NO.	DESCRIPTION	MATERIAL OR MODEL NUMBER	PART NUMBER	REQ'D NUMBER			
				F-1 G-0	G-1 H-0		
1	SOLENOID	AS-04-A117	3U0095-01	1	1		
2	NUT	S.S	429723-01	2	2		
3	LEVER	S.S	318976G02	1	1		
4	SPRING	S.S	432878-01	1	1		
5	PACKING	SY.R	430380-01	1	1		
6	NOISE REDUCER	SK25B 204B12003	3U0096-01	1	1		
7	BASE	S.S	320906G02	1	1		
8	LINK	AC	432232-01	1	1		
9	COLLAR (D)	S.S	432471-01	2	2		
10	BASE (B)	S.S	320684-01	1	1		
11	COVER - PACKING	S.S	431623-01	1	1		
12	COLLAR (E)	S.S	432240-02	1	1		
13	PLASTIC SLEEVE INSERT	R-ARF0608	432235-01	2	2		

HA

DCM-700BAE, BWE

L. CONTROL BOX ASSY

(H-0)
(F-0)(F-1)(G-0)(G-1)
(C-1)(D-0)(D-1)(E-0)

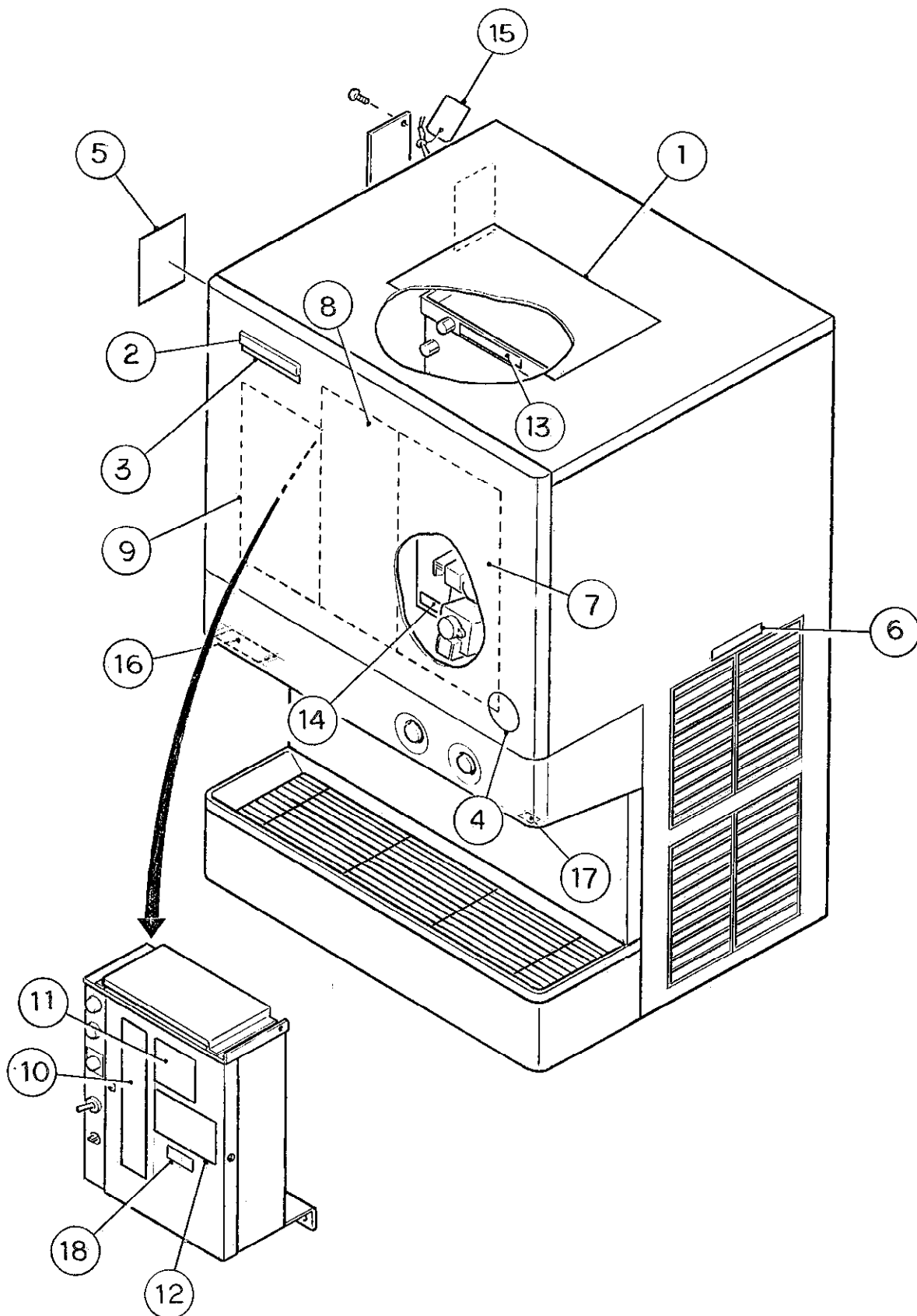


HA

MODEL: DCM-700BAE, BWE TITLE: L. CONTROL BOX ASSY							
INDEX NO.	DESCRIPTION	MATERIAL OR MODEL NUMBER	PART NUMBER	REQ'D NUMBER			
				C-1	D-0	D-1 E-0 F-0	F-1
1	CONTROL BOX	G.S	216091G02	1	1	1	1
2	COVER - CONTROL BOX	G.S	431091-01	1	1	1	1
3	STARTER	040-0001-20	434923-01	1	1	1	1
4	START CAPACITOR	014-0008-61	434171-04	1	1	1	1
5	RUN CAPACITOR	014-0037-15	434170-06	1	1	1	1
6	STRAP - CAPACITOR	G.S	445761-02	1	1	1	1
7	TRANSFORMER	TR0082-1	2U0082-02	1	1	1	1
8	TIMER BOARD	H2AA086C03	2U0098-02	1	1	1	1
9	BOARD SUPPORT	KGLS-6S	414929-01	6	6	6	6
10	LABEL - CONTROL	PVC FILM	432845-01	1	1	1	1
11	NOISE REDUCER	SK25B 204B12003	3U0096-01	1	1	1	1
12	RELAY	LY1F, AC120V	418271-03	2	2	2	2
13	RELAY	LY2ZF, AC24V	406132-06	1	1	1	1
14	KNOB	ABS	318744-01	1	1	1	1
15	MICROSWITCH	V-106-1C25	446616-01	1	1	1	1
16	SPACER	PF, t1.0	429933-01	2	2	2	2
17	FUSE HOLDER	FH032, 250V10A	424288-01	1	1	1	1
18	FUSE	FGA0-2, 3A	420468-01	2	2	2	2
19	SPACER	PF t1.0	439775-01	1	1	1	1
20	TAPPING SCREW	3x8	431415-01	9	9	9	9
21	TOGGLE SWITCH	P2011L/BFI C0C	440443-01	1	1	1	1
22	POTENTIOMETER - PORTION CONTROL	EVH- COAP15B15	432858-01	1	1	1	1
23	OVERLOAD - GEAR MOTOR	W58XB1A4A-4	425201-02	1	1	1	1
24	BUSHING	SB-625-8	420470-01	2	2	2	2
25	BUSHING	SB-1093-15	420470-03	2	2	2	2
26	FUSE HOLDER	FH-033	432816-01	1	1	1	1
27	FUSE	FGMB 0.5A	432837-01	2	2	2	2
28	RELAY	LY1F-HSD, AC220/240V	418271-05	1	1	1	1

HA

MODEL: DCM-700BAE, BWE TITLE: L. CONTROL BOX ASSY							
INDEX NO.	DESCRIPTION	MATERIAL OR MODEL NUMBER	PART NUMBER	REQ'D NUMBER			
				F-1	G-0	G-1	H-1
1	CONTROL BOX	G.S	216091G02	1	1	1	1
2	COVER - CONTROL BOX	G.S	431091-01	1	1	1	1
3	STARTER	040-0001-20	434923-01	1	1	1	1
4	START CAPACITOR	014-0008-61	434171-04	1	1	1	1
5	RUN CAPACITOR	014-0037-15	434170-06	1	1	1	1
6	STRAP - CAPACITOR	G.S	445761-02	1	1	1	1
7	TRANSFORMER	TR0082-1	2U0082-02	1	1	1	1
8	TIMER BOARD	H2AA086C03	2U0098-02	1	1	1	1
9	BOARD SUPPORT	KGLS-6S	414929-01	6	6	6	6
10	LABEL - CONTROL	PVC FILM	432845-01	1	1	1	1
11	NOISE REDUCER	SK25B 204B12003	3U0096-01	1	1	1	1
12	RELAY	LY1F, AC120V	418271-03	2	2	2	2
13	RELAY	LY2ZF, AC24V	406132-06	1	1	1	1
14	KNOB	ABS	318744-01	1	1	1	1
15	MICROSWITCH	V-106-1C25	446616-01	1	1	1	1
16	SPACER	PF, t1.0	429933-01	2	2	2	2
17	FUSE HOLDER	FH032, 250V10A	424288-01	1	-		
		F-130, 250V10A	446963-01		1	1	1
18	FUSE	FGA0-2, 3A	420468-01	2	2	2	2
19	SPACER	PF t1.0	439775-01	1	1	1	1
20	TAPPING SCREW	3x8	431415-01	9	9	9	9
21	TOGGLE SWITCH	P2011L/BFI C0C	440443-01	1	1	1	1
22	POTENTIOMETER - PORTION CONTROL	EVH- COAP15B15	432858-01	1	1	1	1
23	OVERLOAD - GEAR MOTOR	W58XB1A4A-4	425201-02	1	1	1	1
24	BUSHING	SB-625-8	420470-01	2	2	2	2
25	BUSHING	SB-1093-15	420470-03	2	2	2	2
26	FUSE HOLDER	FH-033	432816-01	1	1	1	1
27	FUSE	FGMB 0.5A	432837-01	2	2	2	2
28	RELAY	LY1F-HSD, AC220/240V	418271-05	1	1	1	1

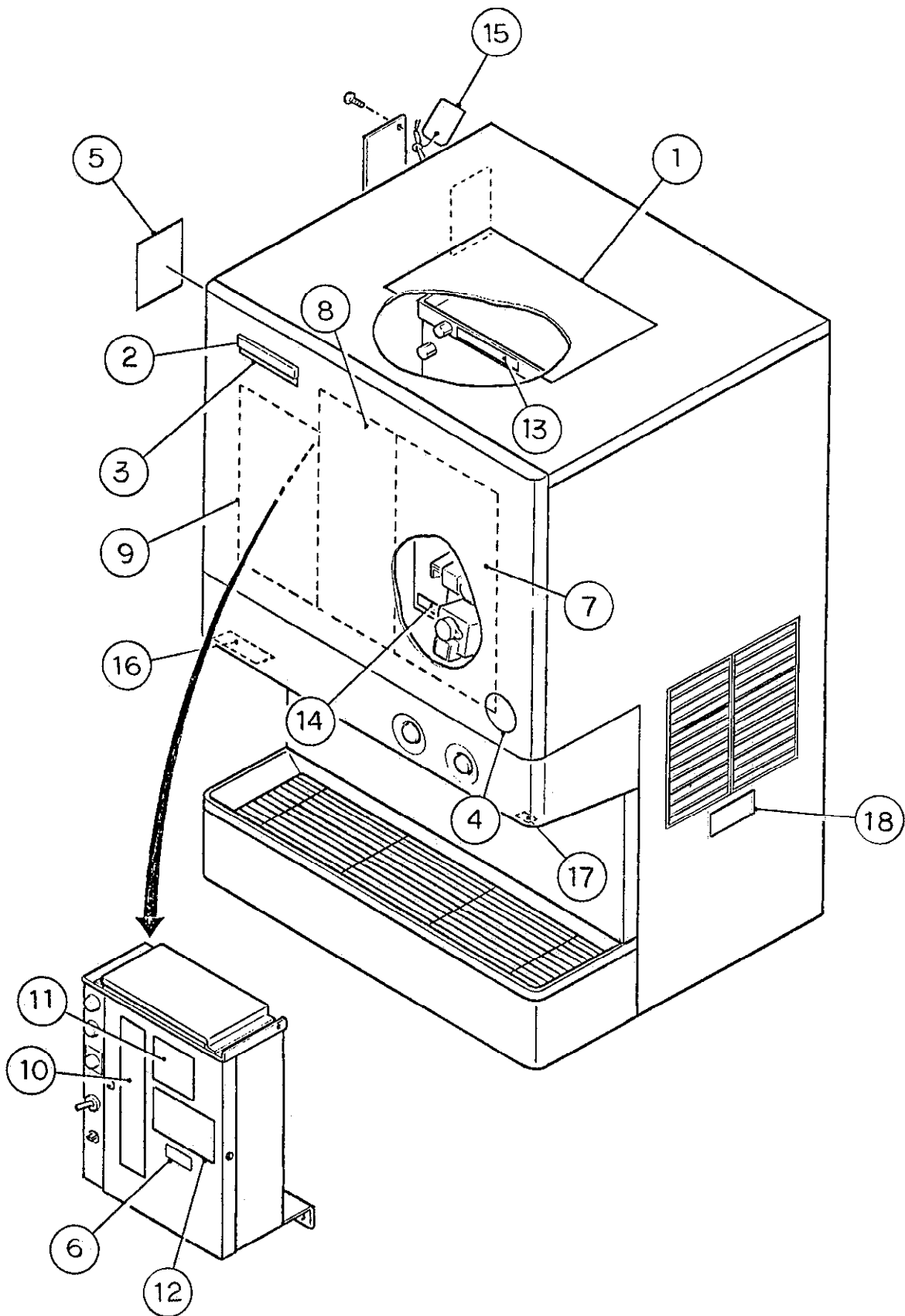


HA

MODEL: DCM-700BAE TITLE: M. LABEL LOCATION							
INDEX NO.	DESCRIPTION	MATERIAL OR MODEL NUMBER	PART NUMBER	REQ'D NUMBER			
				C-1	D-1	E-0	F-0
1	INSTRUCTION SHEET - INST. OPE.	PAPER	219708-01	1	1	1	1
2	EMBLEM (L) - HOSHIZAKI	ABS	418634G01	1	1	1	1
3	MODEL NUMBER LABEL	PETP FILM	445782-11	1	1	1	1
4	LABEL - PENGUIN	PETP FILM	423949-01	1	1	1	1
5	NAMEPLATE	PES FILM	446576-01	1	1	1	1
6	LABEL - AIR FILTER	PETP FILM	426177-01	1	1	1	1
7	INSTRUCTION LABEL	PVC FILM	219706-01	1	1	1	1
8	CLEANING LABEL	PVC FILM	219705-01	1	1	1	1
9	WIRING LABEL	PVC FILM	220545-01	1	1	1	1
10	LABEL - SWITCH, FUSE	PVC FILM	439962-01	1	1	1	1
11	RATING LABEL	PES FILM	446578-01	1	1	1	1
12	CAUTION LABEL (J)	PVC FILM	439149-01	1	1	1	1
13	LABEL - CAUTION: TOP PANEL	PVC FILM	430439-01	1	1	1	1
14	LABEL - CAUTION: SHUTTER	PAPER	430438-01	1	1	1	1
15	TAG - WARNING: ELECTRICAL CONNECTION	PAPER	435005-01	1	1	1	1
16	LABEL - SWITCH	PES FILM	442139-01	1	1	1	1
17	LABEL - DRAIN	PES FILM	442140-01	1	1	1	1
18	LABEL - R22	PES FILM	440362-01	1	1	1	1

HA

MODEL: DCM-700BAE TITLE: M. LABEL LOCATION							
INDEX NO.	DESCRIPTION	MATERIAL OR MODEL NUMBER	PART NUMBER	REQ'D NUMBER			
				F-1	G-0	G-1	H-0
1	INSTRUCTION SHEET - INST. OPE.	PAPER	219708-01	1	1	1	1
2	EMBLEM (L) - HOSHIZAKI	ABS	418634G01	1	1	1	1
3	MODEL NUMBER LABEL	PETP FILM	445782-11	1	1	1	1
4	LABEL - PENGUIN	PETP FILM	423949-01	1	1	1	1
5	NAMEPLATE	PES FILM	446576-01	1	1	1	1
6	LABEL - AIR FILTER	PETP FILM	426177-01	1	1	1	1
7	INSTRUCTION LABEL	PVC FILM	219706-01	1	1	1	1
8	CLEANING LABEL	PVC FILM	219705-01	1	1	1	1
9	WIRING LABEL	PVC FILM	220545-01	1	1	1	1
10	LABEL - SWITCH, FUSE	PVC FILM	439962-01	1	1	1	1
11	RATING LABEL	PES FILM	446578-01	1	1	1	1
12	CAUTION LABEL (J)	PVC FILM	439149-01	1	1	1	1
13	LABEL - CAUTION: TOP PANEL	PVC FILM	430439-01	1	1	1	1
14	LABEL - CAUTION: SHUTTER	PAPER	430438-01	1	1	1	1
15	TAG - WARNING: ELECTRICAL CONNECTION	PAPER	435005-01	1	1	1	1
16	LABEL - SWITCH	PES FILM	442139-01	1	1	1	1
17	LABEL - DRAIN	PES FILM	442140-01	1	1	1	1
18	LABEL - R22	PES FILM	440362-01	1	1	1	1



HA

MODEL: DCM-700BWE TITLE: M. LABEL LOCATION							
INDEX NO.	DESCRIPTION	MATERIAL OR MODEL NUMBER	PART NUMBER	REQ'D NUMBER			
				C-1	D-0	E-0	F-1
1	INSTRUCTION SHEET - INST. OPE.	PAPER	219708-01	1	1	1	1
2	EMBLEM (L) - HOSHIZAKI	ABS	418634G01	1	1	1	1
3	MODEL NUMBER LABEL	PETP FILM	445782-12	1	1	1	1
4	LABEL - PENGUIN	PETP FILM	423949-01	1	1	1	1
5	NAMEPLATE	PES FILM	446577-01	1	1	1	1
6	LABEL - R22	PES FILM	440362-01	1	1	1	1
7	INSTRUCTION LABEL	PVC FILM	219706-01	1	1	1	1
8	CLEANING LABEL	PVC FILM	219705-01	1	1	1	1
9	WIRING LABEL	PVC FILM	220545-01	1	1	1	1
10	LABEL - SWITCH, FUSE	PVC FILM	439962-01	1	1	1	1
11	RATING LABEL	PES FILM	446579-01	1	1	1	1
12	CAUTION LABEL (J)	PVC FILM	439149-01	1	1	1	1
13	LABEL CAUTION : TOP PANEL	PVC FILM	440439-01	1	1	1	1
14	LABEL CAUTION : SHUTTER	PAPER	430438-01	1	1	1	1
15	TAG - WARNING: ELECTRICAL CONNECTION	PAPER	435005-01	1	1	1	1
16	LABEL - SWITCH	PES FILM	442139-01	1	1	1	1
17	LABEL - DRAIN	PES FILM	442140-01	1	1	1	1
18	CAUTION LABEL (F)	PVC FILM	439146-01	1	1	1	1

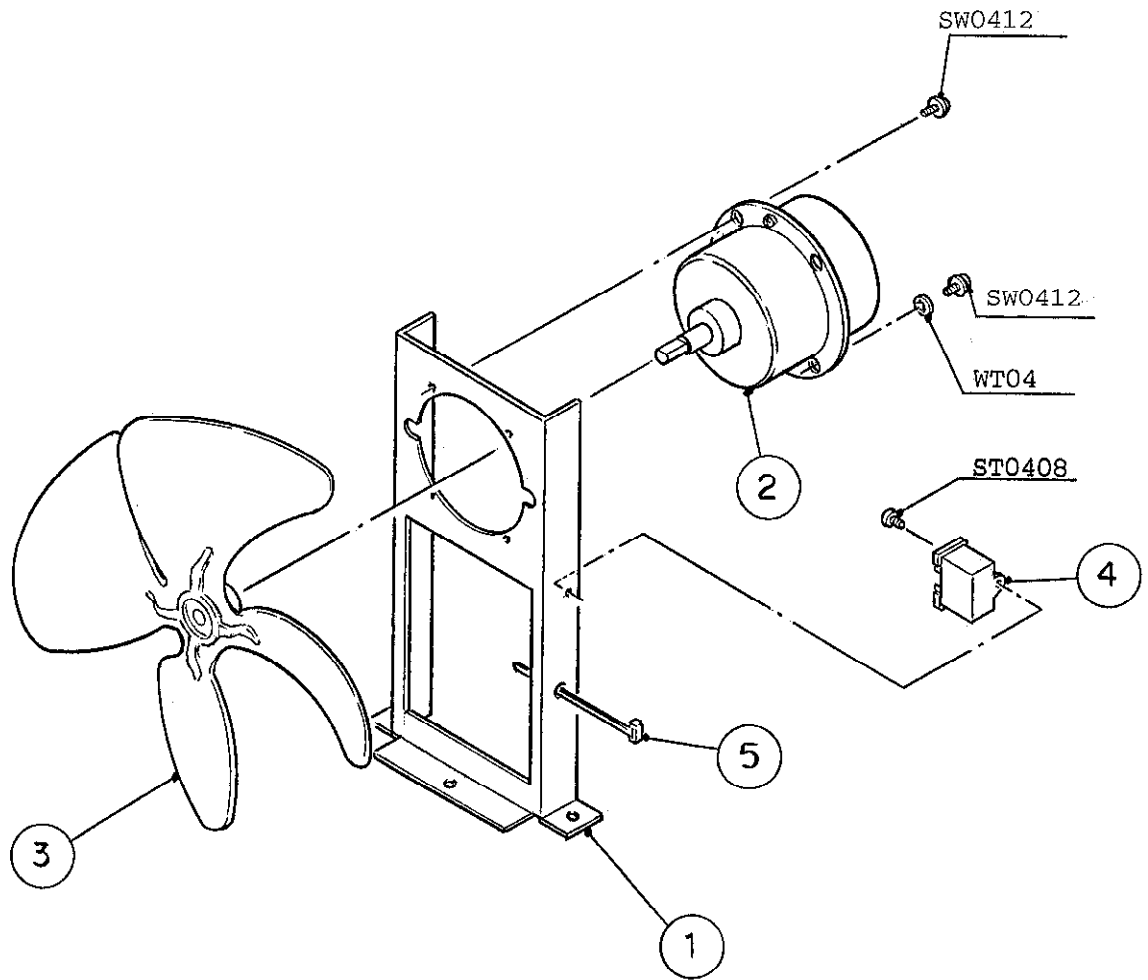
HA

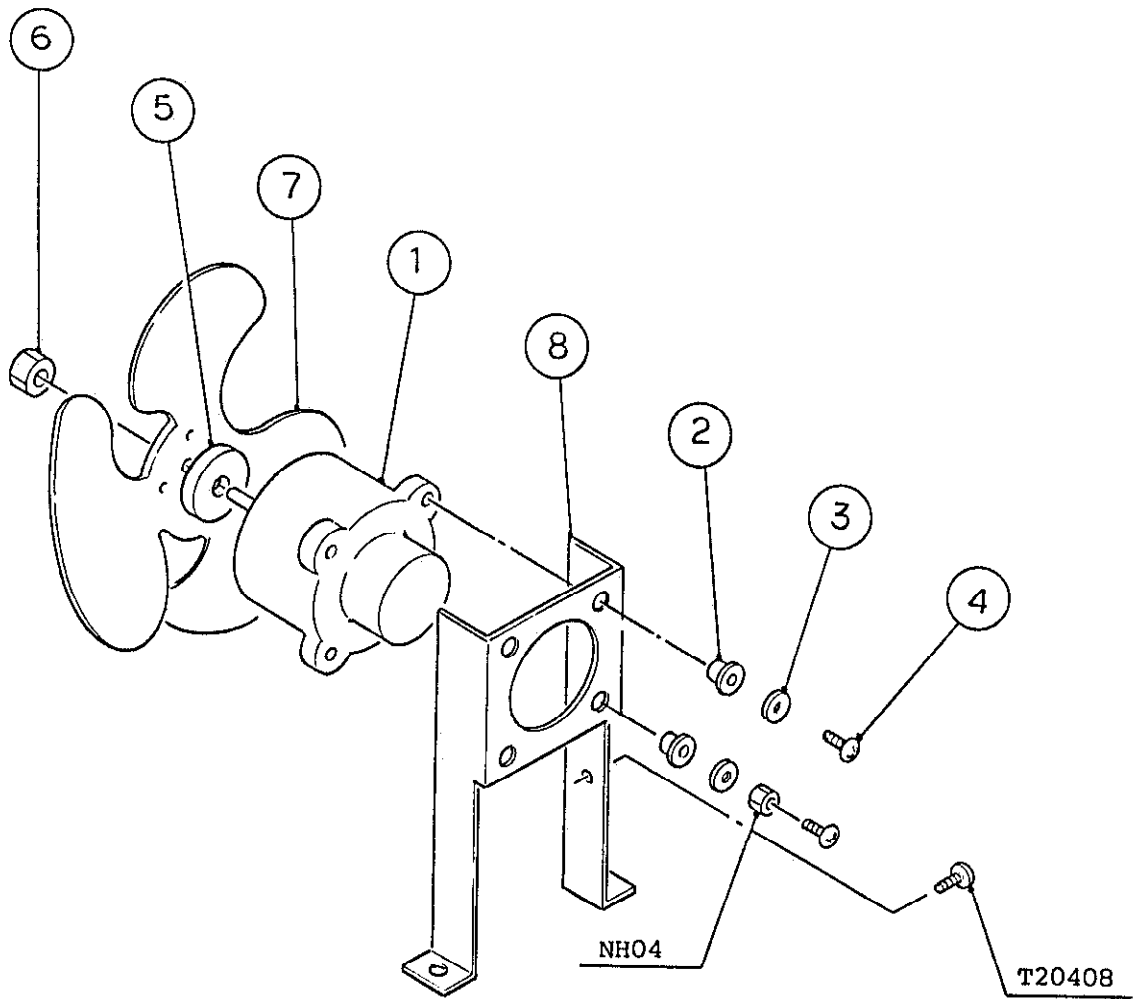
MODEL: DCM-700BWE TITLE: M. LABEL LOCATION							
INDEX NO.	DESCRIPTION	MATERIAL OR MODEL NUMBER	PART NUMBER	REQ'D NUMBER			
				G-0	H-0		
1	INSTRUCTION SHEET - INST. OPE.	PAPER	219708-01	1	1		
2	EMBLEM (L) - HOSHIZAKI	ABS	418634G01	1	1		
3	MODEL NUMBER LABEL	PETP FILM	445782-12	1	1		
4	LABEL - PENGUIN	PETP FILM	423949-01	1	1		
5	NAMEPLATE	PES FILM	446577-01	1	1		
6	LABEL - R22	PES FILM	440362-01	1	1		
7	INSTRUCTION LABEL	PVC FILM	219706-01	1	1		
8	CLEANING LABEL	PVC FILM	219705-01	1	1		
9	WIRING LABEL	PVC FILM	220545-01	1	1		
10	LABEL - SWITCH, FUSE	PVC FILM	439962-01	1	1		
11	RATING LABEL	PES FILM	446579-01	1	1		
12	CAUTION LABEL (J)	PVC FILM	439149-01	1	1		
13	LABEL CAUTION : TOP PANEL	PVC FILM	440439-01	1	1		
14	LABEL CAUTION : SHUTTER	PAPER	430438-01	1	1		
15	TAG - WARNING: ELECTRICAL CONNECTION	PAPER	435005-01	1	1		
16	LABEL - SWITCH	PES FILM	442139-01	1	1		
17	LABEL - DRAIN	PES FILM	442140-01	1	1		
18	CAUTION LABEL (F)	PVC FILM	439146-01	1	1		

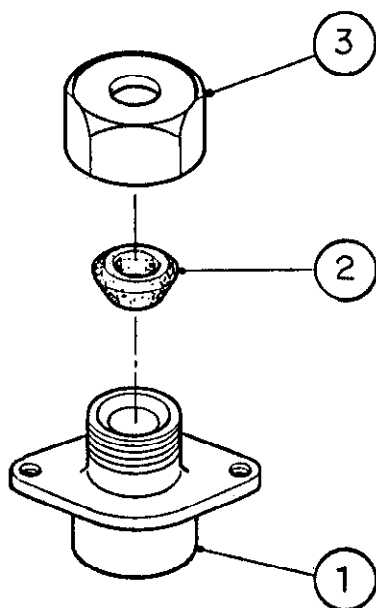
HA
DCM-700BAE

N. FAN MOTOR ASSY

(F-1)(G-0)(G-1)(H-0)
(C-1)(D-1)(E-0)(F-0)







HA

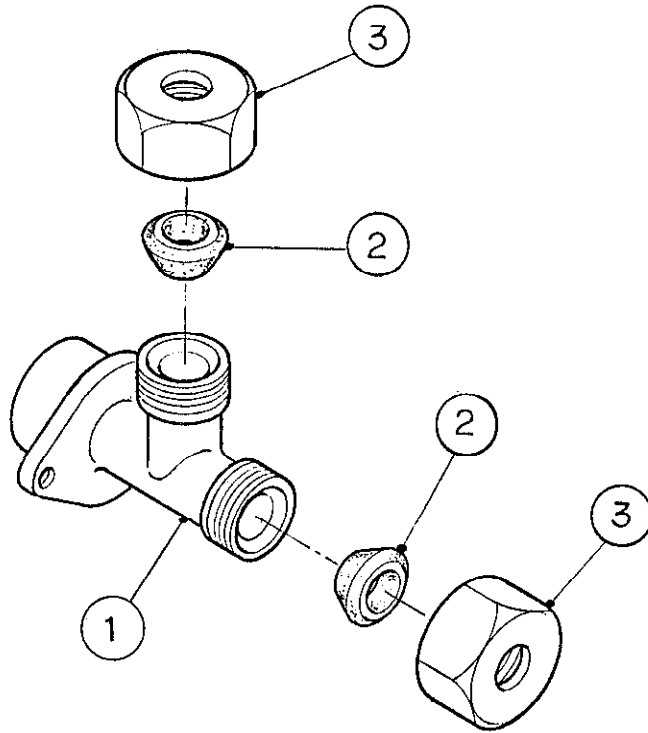
DCM-700BAE, BWE

Q . FITTING (N) ASSY

(H-O)

(F-O)(F-1)(G-O)(G-1)

(C-1)(D-O)(D-1)(E-O)



HA

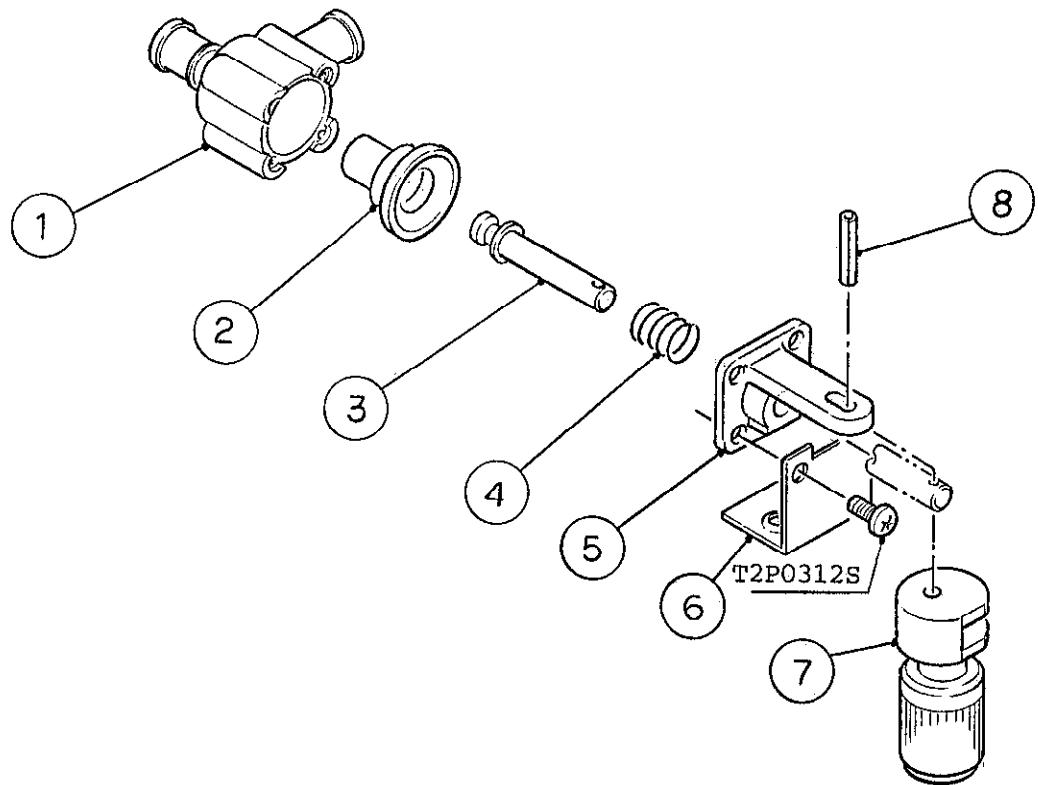
DCM-700BAE, BWE

R. VALVE ASSY

(H-O)

(F-O)(F-1)(G-O)(G-1)

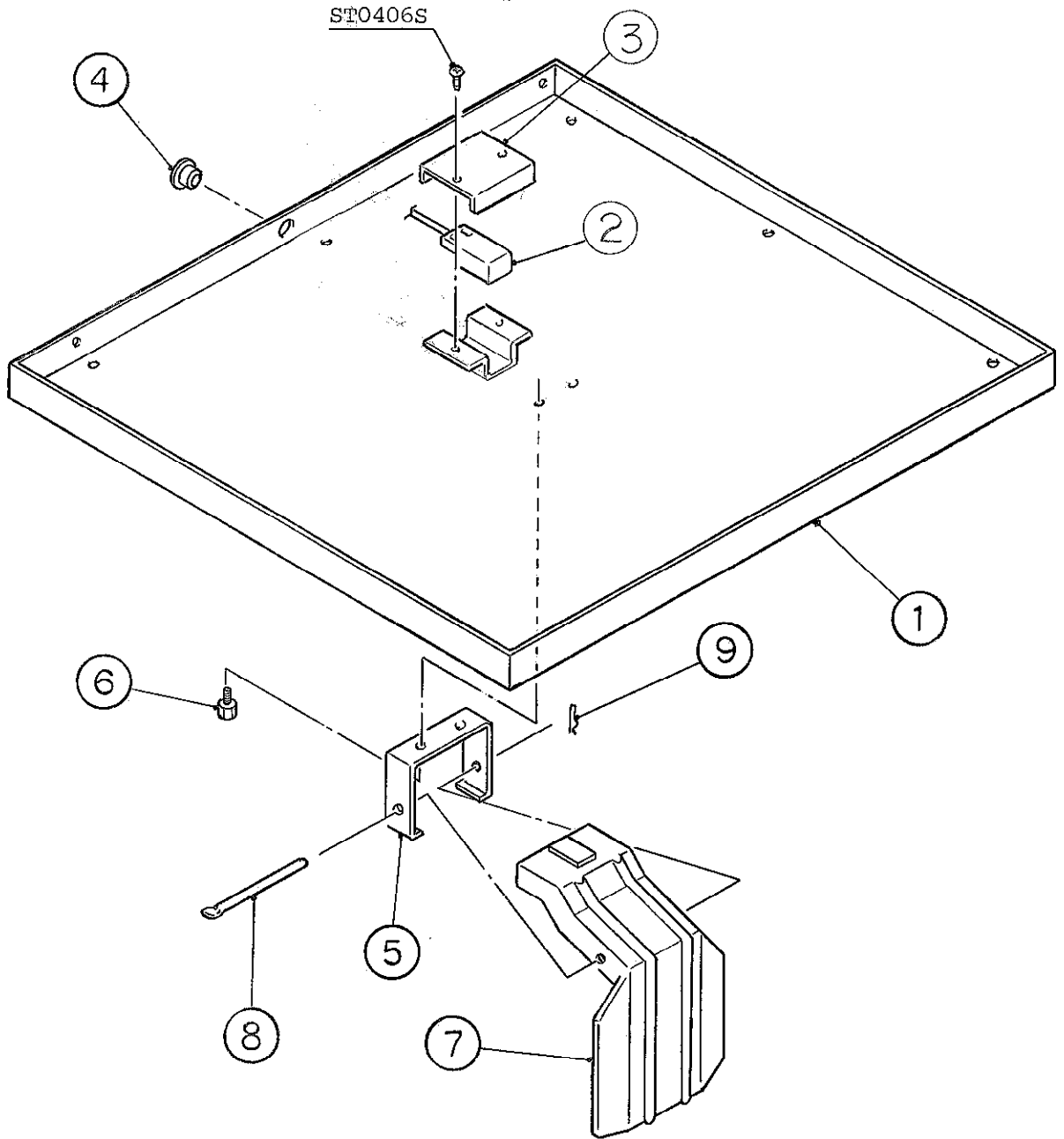
(C-1)(D-O)(D-1)(E-O)



HA
DCM-700BAE, BWE

S. COVER ASSY - BIN TOP

(H-0)
(F-0)(F-1)(G-0)(G-1)
(C-1)(D-0)(D-1)(E-0)



HA
DCM-700BAE, BWE

T. ACCESSORIES

(H-0)
(F-0)(F-1)(G-0)(G-1)
(C-1)(D-0)(D-1)(E-0)

