



HOSHIZAKI

Parts List

Ice and Water Dispenser

Model
DM-200B



hoshizakiamerica.com

Number: 71258
Issued: 10-5-2006
Revised: 9-1-2017

CONTENTS

Auxiliary Codes.....	3
Note About Ordering Parts	3
A. Main Assembly	4
B. Mechanism Assembly.....	6
C. Switch Cover Assembly	8
D. Solenoid Assembly	9
E. Shutter Assembly.....	11
F. Drain Circuit	12

Auxiliary Codes

DM-200B

R-0	July 2006
S-0	January 2007
S-5	February 2007
T-6	January 2008
U-5	February 2009
V-5	February 2010
A-5	January 2011
A-6	April 2011
B-5	January 2012
C-5	January 2013
C-6	July 2013
D-5	January 2014
E-5	January 2015
F-5	January 2016
G-5	January 2017

Auxiliary Code Breakdown

Auxiliary Codes ending in "-0"

The auxiliary code is the first two characters in the serial number. The first character indicates the year. Years progress or regress in alphabetical order. The series runs from "A" through "V" and the letters "I" and "O" are skipped. The second character indicates significant part changes within a year. Base is "0" and this number advances for each change. In cases where there is a letter in parentheses, this designates the month. This is the last character in the serial number. The series runs from "(A)" through "(M)" and the letter "(I)" is skipped. This designation is only included when identifying a parts change within an auxiliary code.

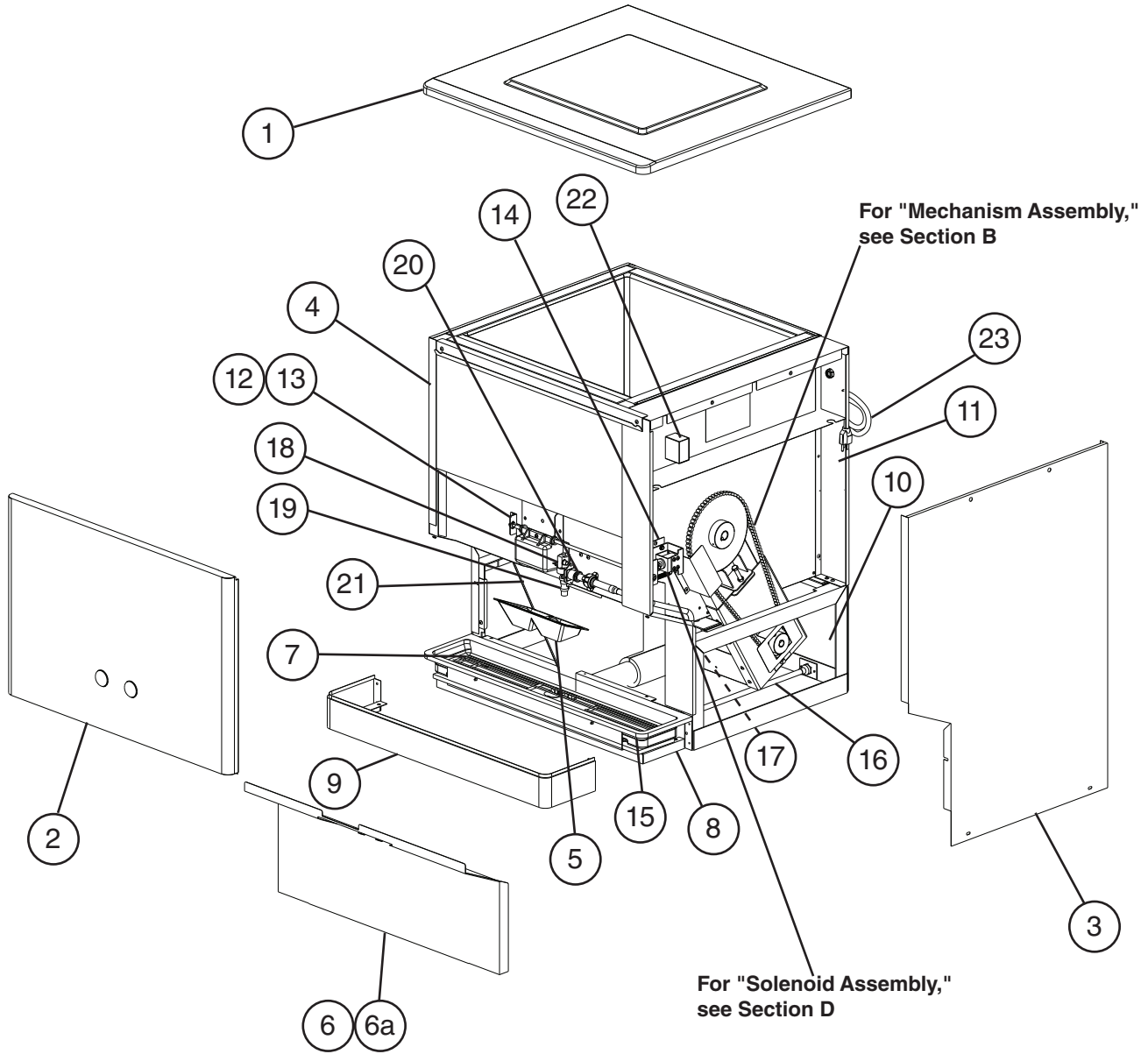
Auxiliary Codes ending in "-5"

The auxiliary code is the first two characters in the serial number. The first character indicates the year. Years progress or regress in alphabetical order. The series runs from "A" through "V" and the letters "I" and "O" are skipped. The second character indicates significant part changes within a year. Base is "5" and this number advances for each change. In cases where there is a letter in parentheses, this designates the month. This is the last character in the serial number. The series runs from "(A)" through "(M)" and the letter "(I)" is skipped. This designation is only included when identifying a parts change within an auxiliary code.

Note About Ordering Parts

Most assemblies cannot be ordered as complete units; parts in the assemblies generally must be ordered separately.

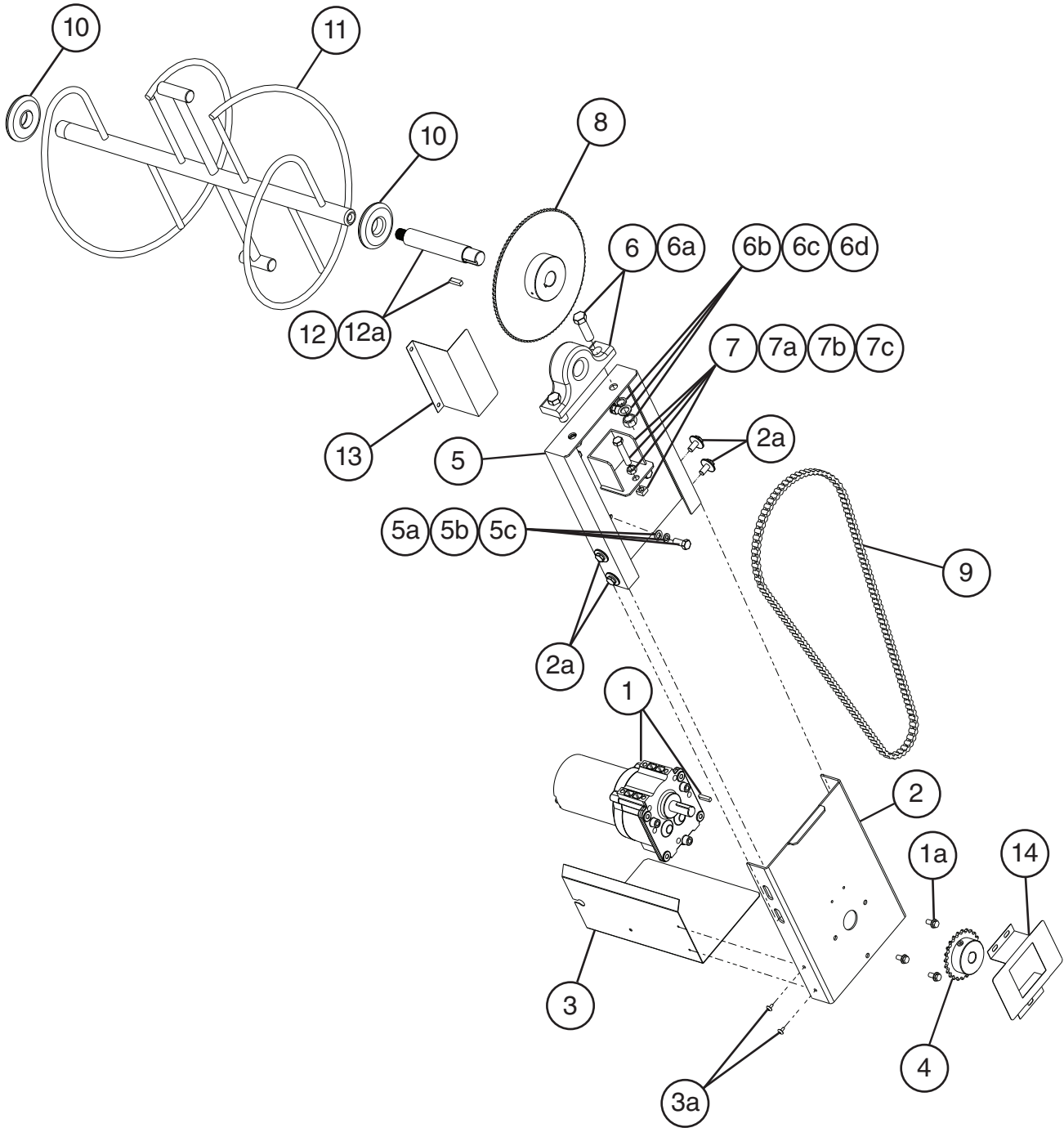
A. Main Assembly
DM-200B
R-0 to G-5



Title: A. Main Assembly Model: DM-200B

Index No.	Description	Material or Model Number	Part Number	Required Number										
				R-0 to T-5	T-6 to G-5									
1	Manual Fill Cover/Top Panel		2A3752-01	1	1									
2	Front Panel		2A3748-01	1	1									
3	Right Side Panel		2A3825-01	1	1									
4	Left Side Panel		2A3826-01	1	1									
5	Spout		2A3828-01	1	1									
6	Apron Panel		2A3827-01	1	1									
6a	Thumbscrew		415949G08	2	2									
7	Drain Grill		2A0187G01	1	1									
8	Drain Panel Mount		2A0273-01	1	1									
9	Drain Panel		2A0278-01	1	1									
10	Lower Rear Panel		3A3839-01	1	1									
11	Control Box (C)		3A3843-01	1	1									
12	Bracket Collar		439399-01	1	1									
13	Shutter Collar		435533-01	1	1									
14	Solenoid Assembly Base		4A0048-01	1	1									
15	Drain Pan		2A0312G01	1	1									
16	Water Supply Assembly		2A3745G01	1	1									
17	Drain Fitting		438729-01	1	1									
18	Dispense Water Valve		4A5251-09	1	1									
19	Hose		425289-05	1	1									
20	Washer		4A0867-01	1	1									
21	Drip Pan		3A3852-01	1	1									
22	Run Capacitor	25MFD, 370VAC	3A2005-06	1	-									
		20MFD, 250VAC	4A4319-02		1									
23	Power Supply Cord		4A1773-01	1	1									

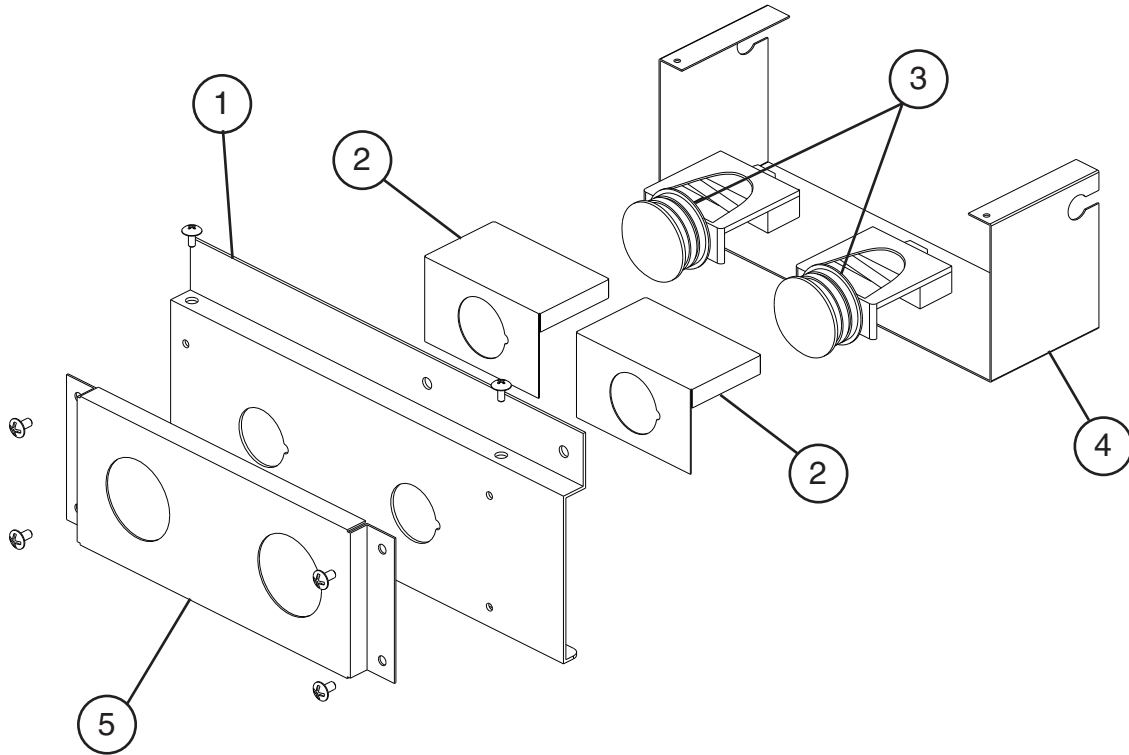
B. Mechanism Assembly
DM-200B
R-0 to G-5



Title: B. Mechanism Assembly Model: DM-200B

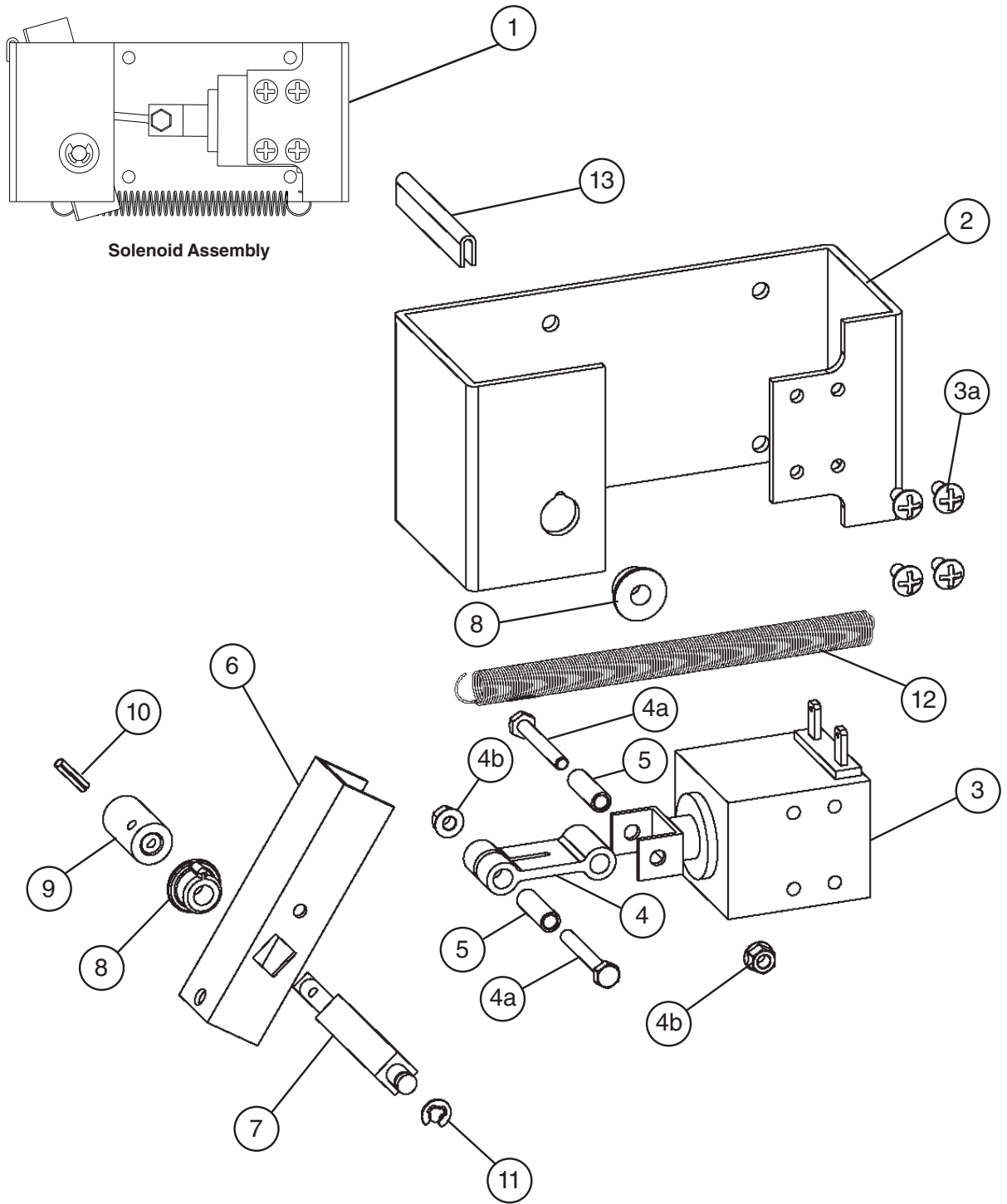
Index No.	Description	Material or Model Number	Part Number	Required Number										
				R-0 to S-5	T-6	U-5 to A-5	A-6	B-5 to G-5						
1	Gear Motor	HS-2128	4A0183-01	1	-									
			4A4264-01		1	1	-							
			4A5055-01				1	1						
1a	Hex Head Bolt		4A1989-01	4	4	4	-							
			4A5135-01				3	3						
2	Gear Motor Bracket		2A0123-01	1	1	1	-							
			2A5462-01				1	1						
2a	Hex Head Bolt Assembly	8x20	7B0130820	4	4	4	4	4						
3	Gear Motor Barrier (B)		3A0395-01	1	1	1	-							
			3A5807-01				1	1						
3a	T2 Screw	4x8	7P31-0408				2	2						
4	Sprocket (A)		4A3557-01	1	-									
			4A4413-01		1	1	1	1						
5	Gear Motor Bracket		2A0450G01	1	1	1	1	1						
5a	Hex Head Bolt	8x20	7B01-0820	4	4	4	4	4						
5b	Split Lock Washer		7L21-0800	4	4	4	4	4						
5c	Flat Washer		7W21-0800	4	4	4	4	4						
6	Pillow Block Bearing		435553-02	1	1	1	1	1						
6a	Hex Head Bolt	12x40	7B01-1240	2	2	2	2	2						
6b	Washer		7W21-1200	2	2	2	2	2						
6c	Split Lock Washer		7L21-1200	2	2	2	2	2						
6d	Hex Nut		7N11-1200	2	2	2	2	2						
7	Tension Bracket		4A0675-01	1	1	1	1	1						
7a	Tension Hex Bolt	8x45	7B01-0845	1	1	1	1	1						
7b	Tension Hex Nut	M8	7N11-0800	1	1	1	1	1						
7c	Square Weld Nut		7K01-0800	1	1	1	1	1						
8	Sprocket (B)		435554-01	1	1	1	1	1						
9	Chain	130 pitch	435797-01	1	1	1	1	1						
10	Seal		435558-01	2	2	2	2	2						
11	Agitator		212969G01	1	1	1	1	1						
12	Drive Shaft		435551-01	1	1	1	1	1						
12a	Key	6x6x22	437265-01	1	1	1	1	1						
13	Chain Cover (A)		438282-01	1	1	1	1	1						
14	Chain Cover (B)		438283-01	1	1	1	1	1						

C. Switch Cover Assembly
DM-200B
 R-0 to G-5



Title: C. Switch Cover Assembly		Model: DM-200B		Required Number										
Index No.	Description	Material or Model Number	Part Number	R-0 to G-5										
1	Spout Switch Bracket		3A3847-01	1										
2	Safety Cover		3A0415-01	2										
3	Push Switch		435745-01	2										
4	Spout Switch Cover A		3A3849-01	1										
5	Spout Switch Cover B		4A3948-01	1										

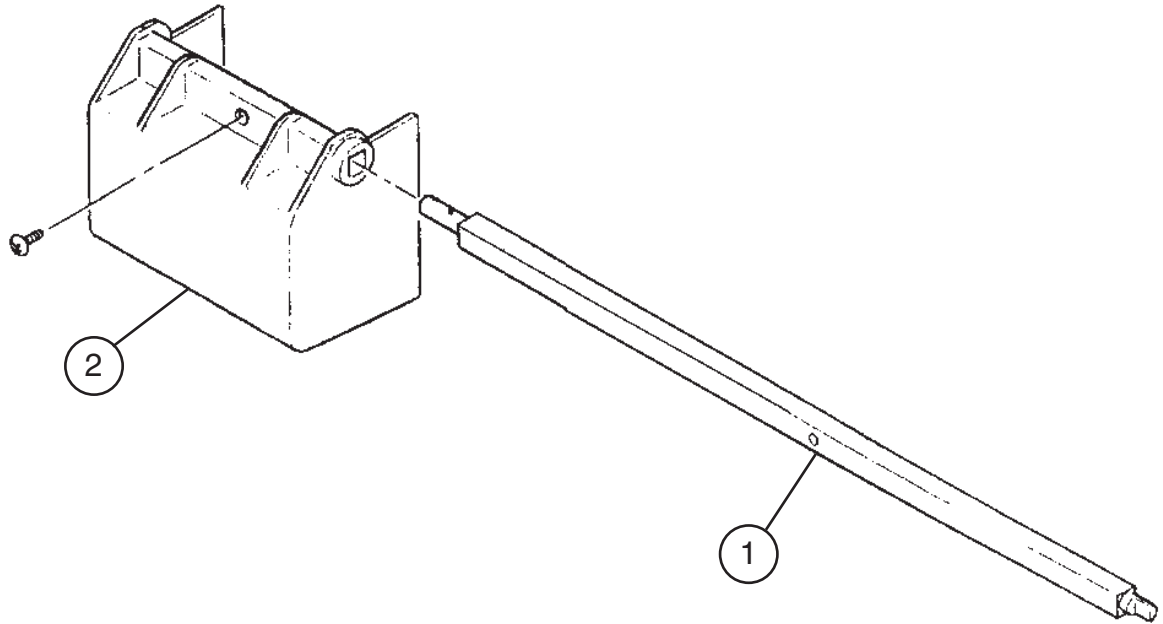
D. Solenoid Assembly
DM-200B
 R-0 to G-5



Title: D. Solenoid Assembly Model: DM-200B

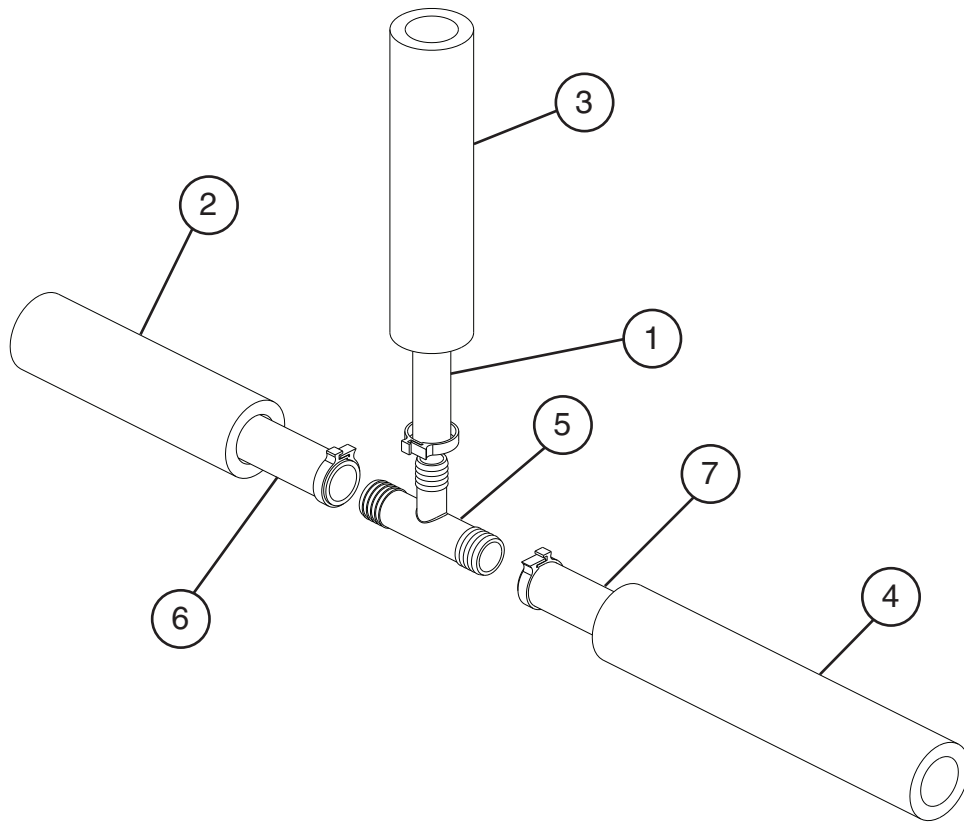
Index No.	Description	Material or Model Number	Part Number	Required Number									
				R-0 to G-5									
1	Solenoid Assembly (includes items 2 through 13)		2A0585A01	1									
2	Solenoid Bracket		3A0533-01	1									
3	Solenoid		4A0856-01	1									
3a	Truss Head Screw	4x8	7C32-0408	4									
4	Link		432232-01	1									
4a	Hex Head Bolt	4x30	7B02-0430	2									
4b	Hex Nut		7N22-0400	2									
5	Collar		432471-01	2									
6	Solenoid Link		439397-01	1									
7	Shaft		435532-01	1									
8	Shutter Coller		435533-01	2									
9	Connector		435534-01	1									
10	Spring Pin	3x12	712S-0312	1									
11	E-Ring		721S-0005	1									
12	Spring		432878-01	1									
13	Rubber Gasket	L=50 mm	4A0662L01	1									

E. Shutter Assembly
DM-200B
 R-0 to G-5



Title: E. Shutter Assembly Model: DM-200B										
Index No.	Description	Material or Model Number	Part Number	Required Number						
				R-0 to G-5						
1	Shaft Shutter		328648-01	1						
2	Shutter		215459-01	1						

F. Drain Circuit
DM-200B
 R-0 to G-5



Title: F. Drain Circuit Model: DM-200B															
Index No.	Description	Material or Model Number	Part Number	Required Number											
				R-0 to G-5											
1	Vinyl Hose	L=225 mm	7716-2025	1											
2	Insulation Tube	L=200 mm	7762-3555	1											
3	Insulation Tube	L=230 mm	7762-3555	1											
4	Insulation Tube	L=295 mm	7762-3555	1											
5	Tee		4A0525-05	1											
6	Vinyl Hose	L=195 mm	4A0658L01	1											
7	Vinyl Hose	L=300 mm	4A0658L01	1											