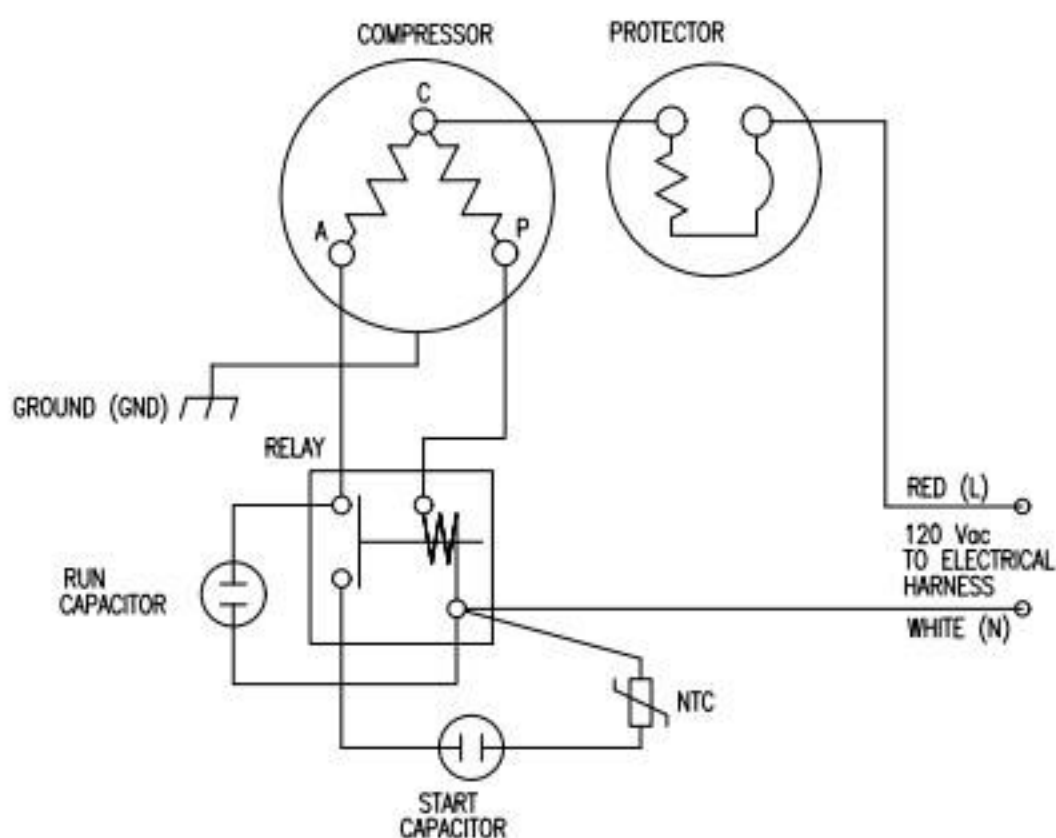
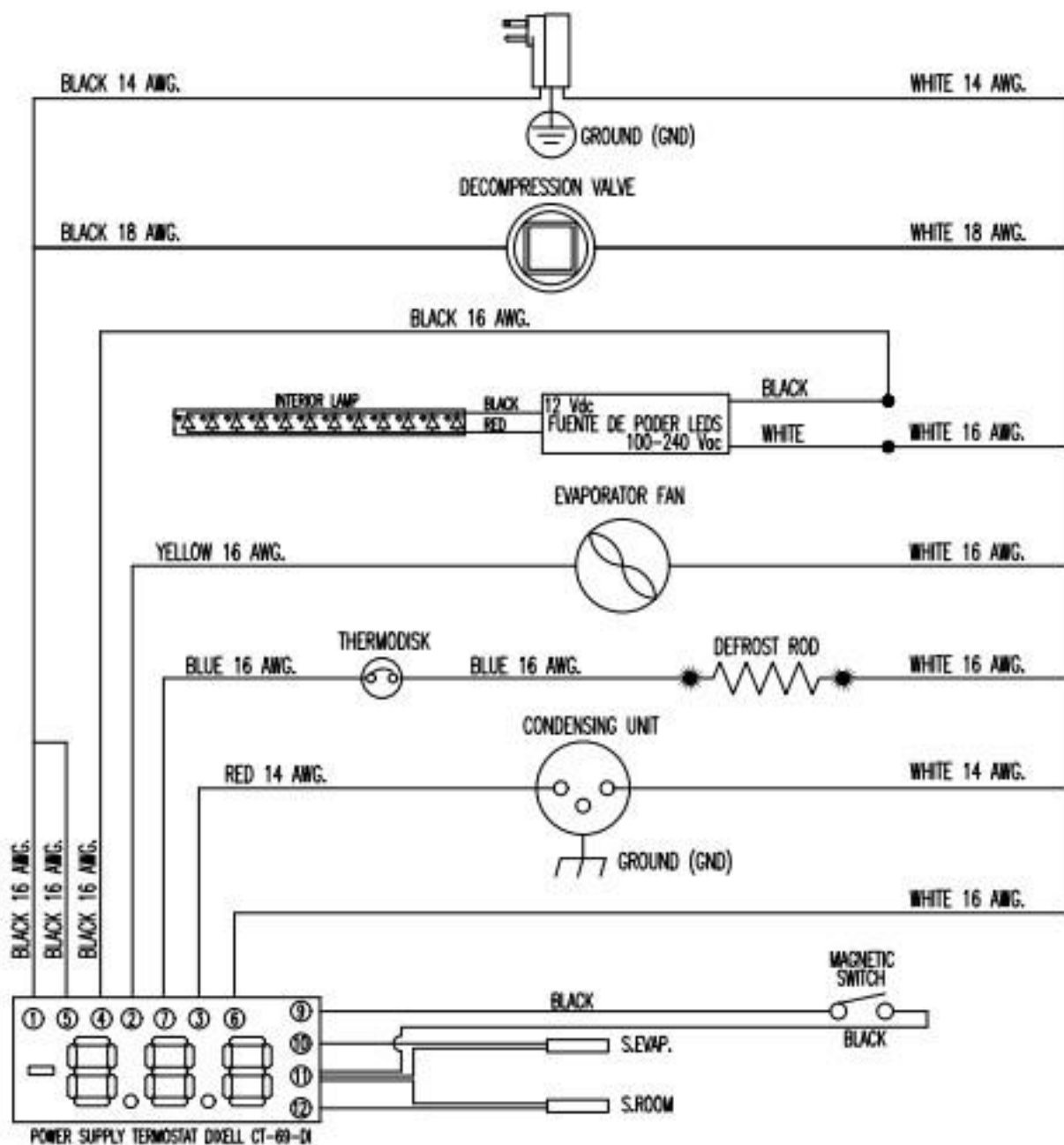
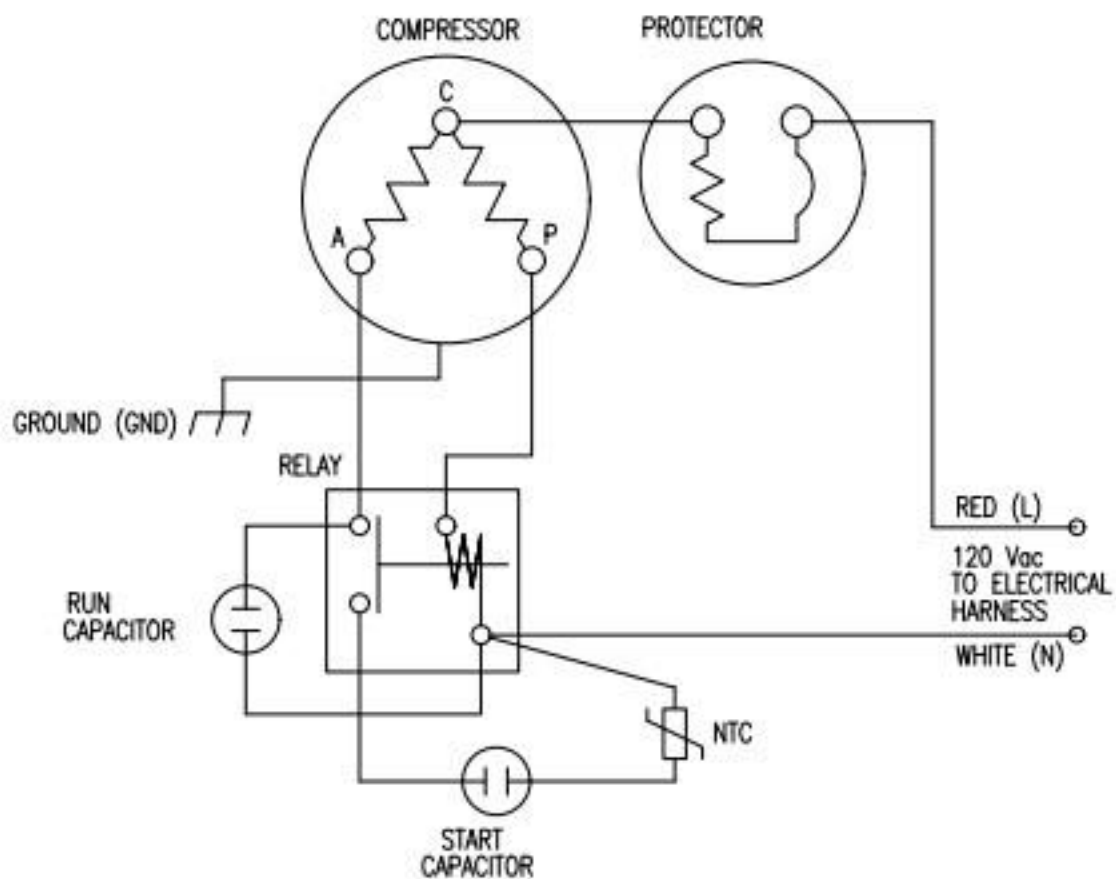
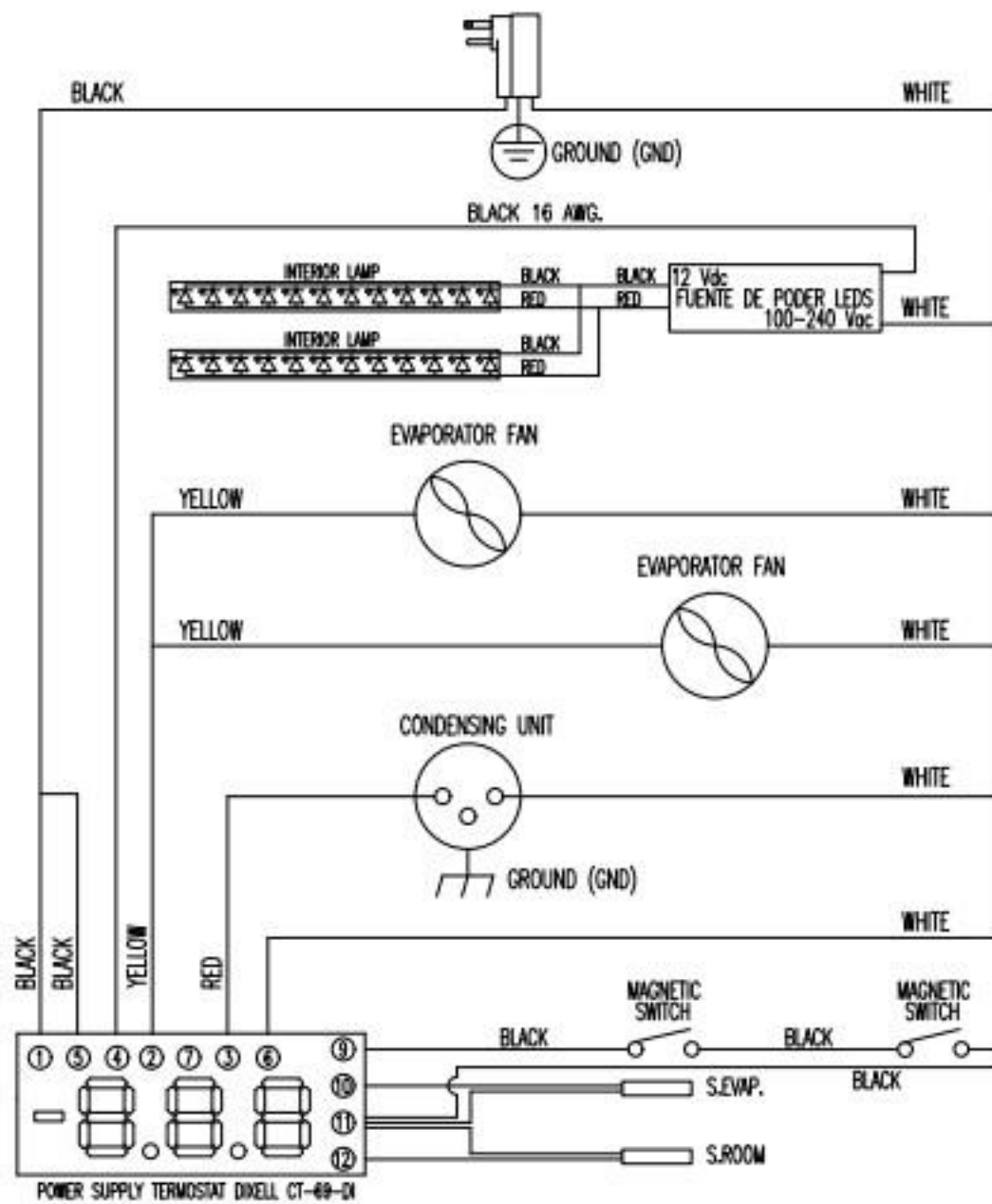


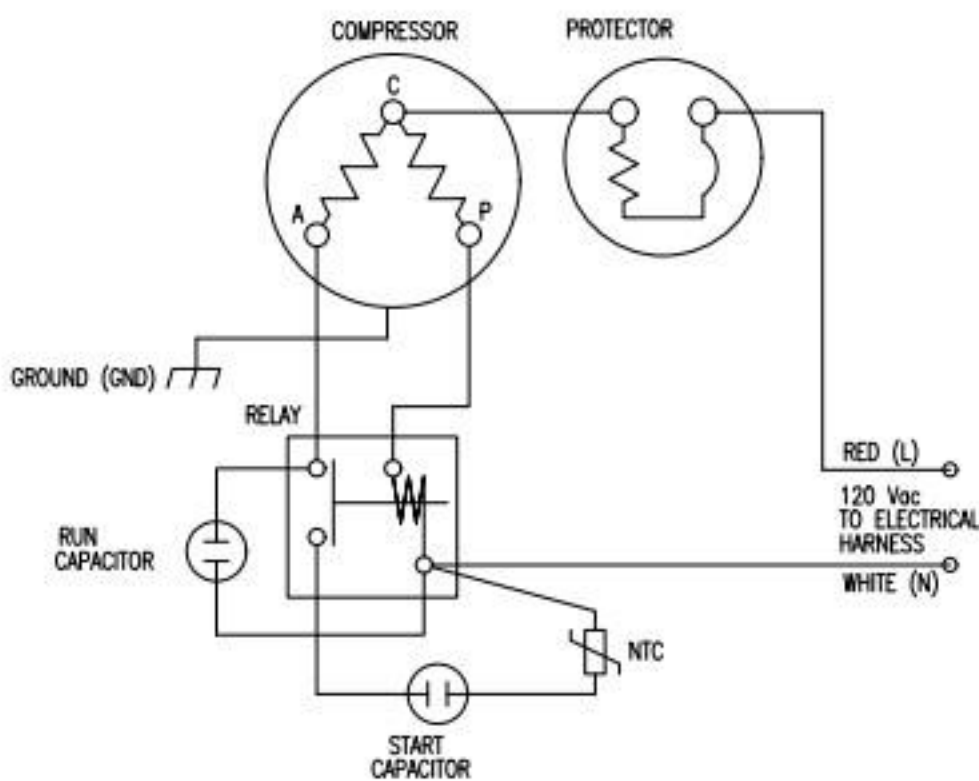
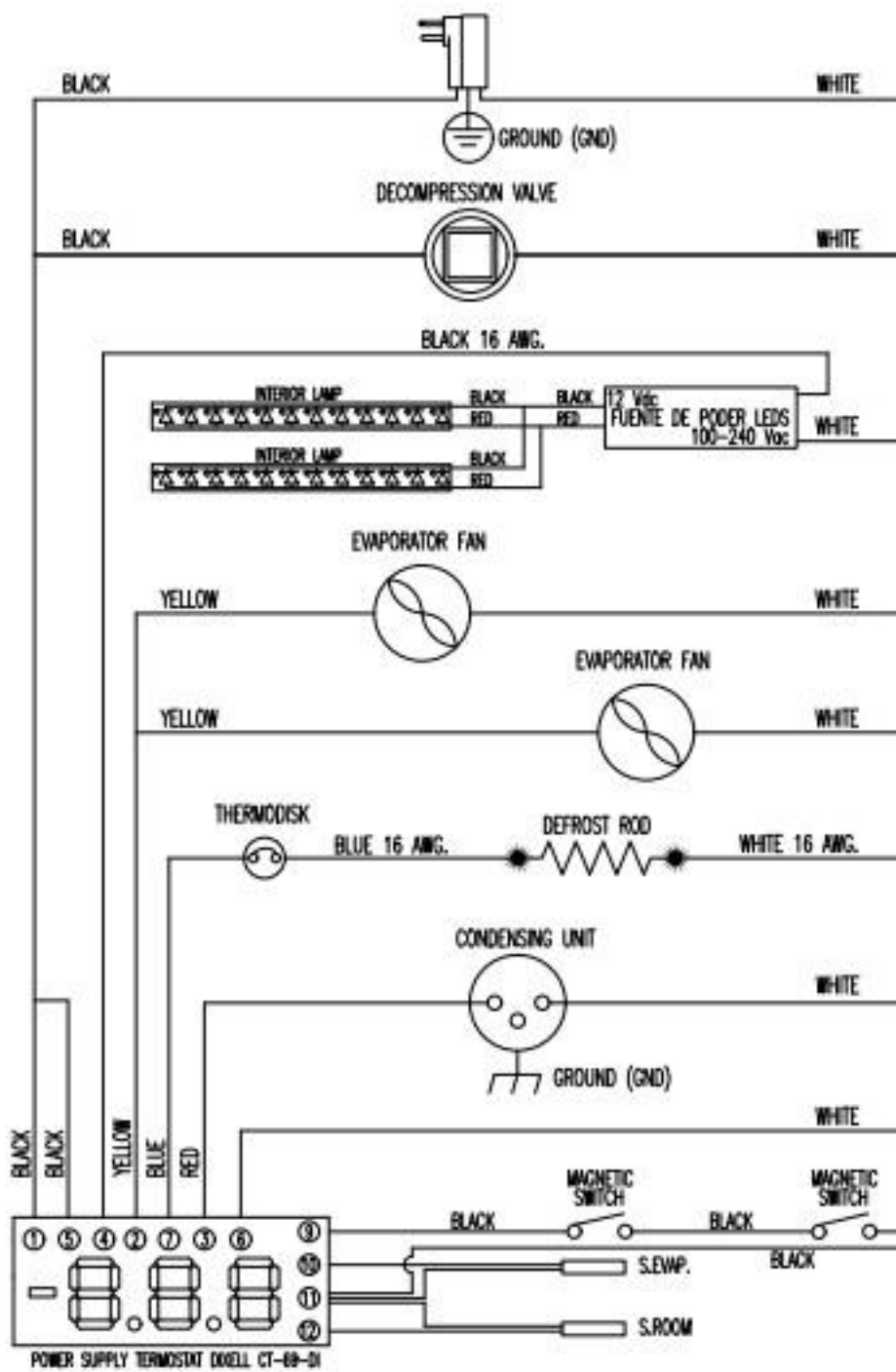
Model	Run Capacitor	Starting Capacitor
ER1A-FS	15 μ F 250 V	250 μ F 160 V



Model	Run Capacitor	Starting Capacitor
EF1A-FS	10 μ F 250 V	150 μ F 160 V



Model	Run Capacitor	Starting Capacitor
ER2A-FS	15 μ F 250 V	250 μ F 160 V



Model	Run Capacitor	Starting Capacitor
EF2A-FS	30 μ F 250 V	200 μ F 160 V