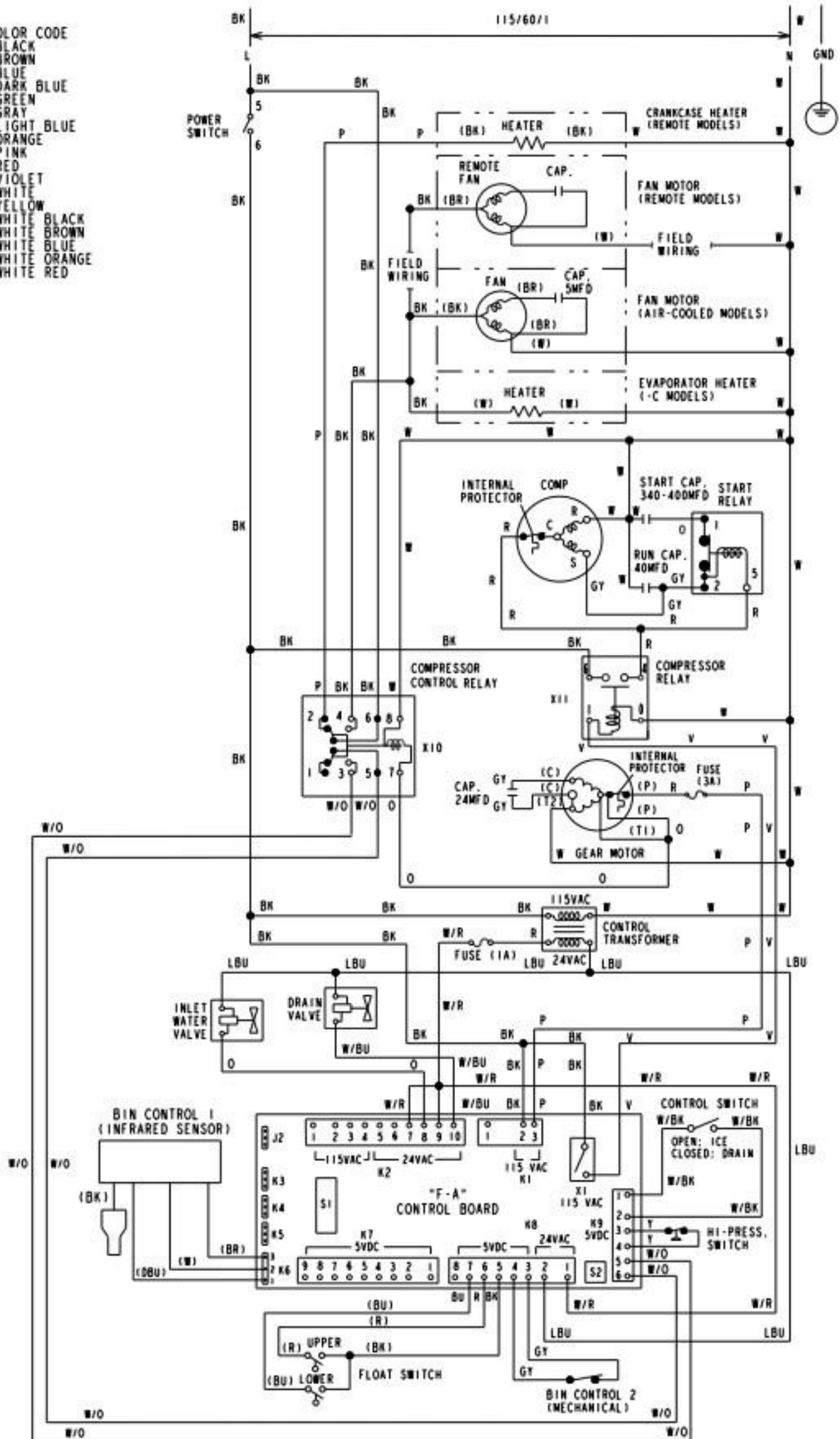


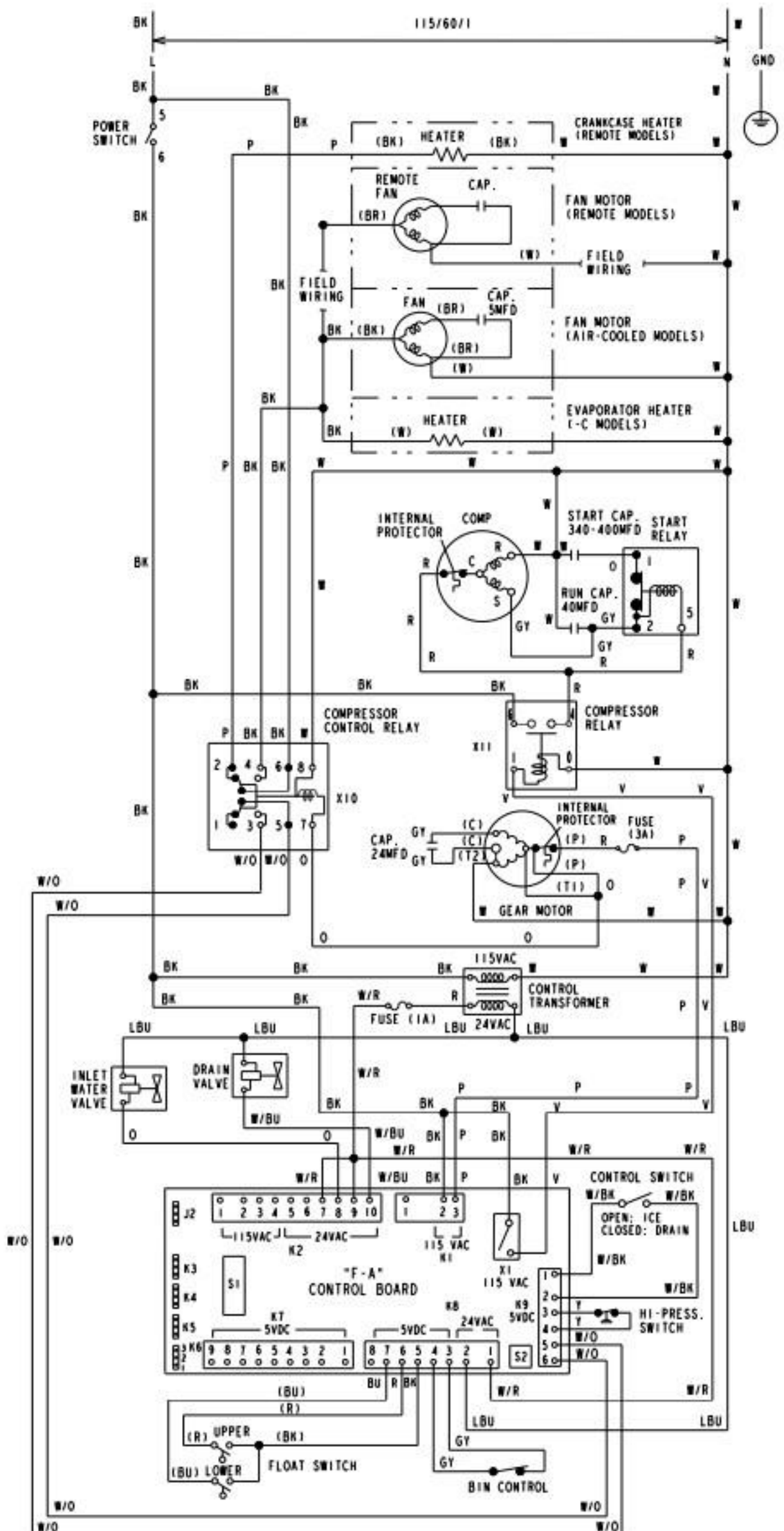
SI DIP SWITCH SETTING	1	2	3	4	5	6	7	8	9	10
FD-100IM_J / -C	ON	OFF	OFF	OFF	OFF	OFF	ON	ON	OFF	OFF

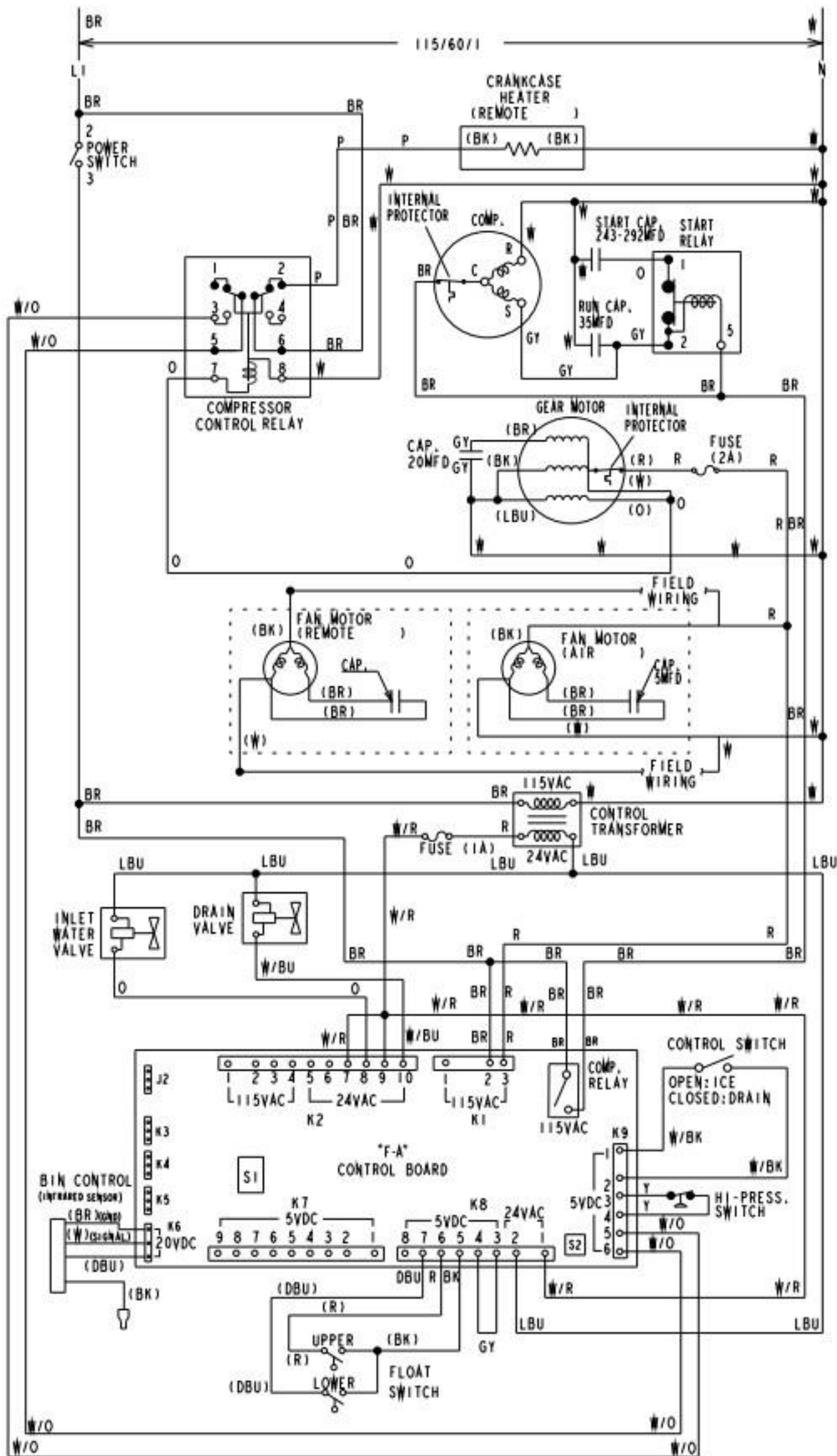
- WIRE COLOR CODE
- BK - BLACK
 - BR - BROWN
 - BU - BLUE
 - DBU - DARK BLUE
 - GR - GREEN
 - GY - GRAY
 - LBU - LIGHT BLUE
 - O - ORANGE
 - P - PINK
 - R - RED
 - V - VIOLET
 - W - WHITE
 - Y - YELLOW
 - W/BK - WHITE BLACK
 - W/BR - WHITE BROWN
 - W/BU - WHITE BLUE
 - W/O - WHITE ORANGE
 - W/R - WHITE RED



SI DIP SWITCH SETTING	1	2	3	4	5	6	7	8	9	10
F-100IM_J / -C	OFF	OFF	OFF	OFF	OFF	OFF	OFF	OFF	OFF	OFF

- WIRE COLOR CODE
- BK - BLACK
 - BR - BROWN
 - BU - BLUE
 - DBU - DARK BLUE
 - GR - GREEN
 - GY - GRAY
 - LBU - LIGHT BLUE
 - O - ORANGE
 - P - PINK
 - R - RED
 - V - VIOLET
 - W - WHITE
 - Y - YELLOW
 - W/BK - WHITE BLACK
 - W/BR - WHITE BROWN
 - W/BU - WHITE BLUE
 - W/O - WHITE ORANGE
 - W/R - WHITE RED

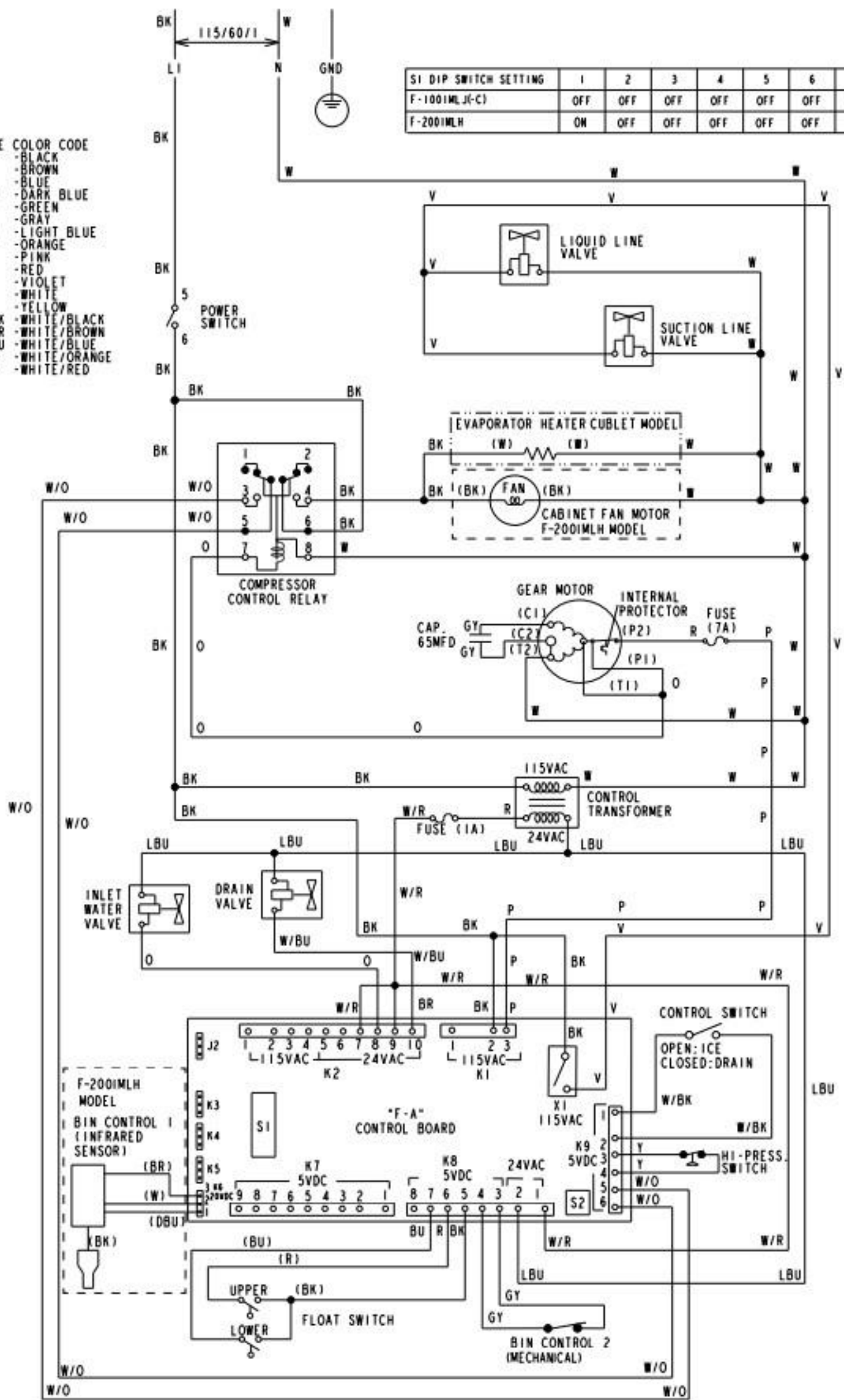




WIRE	COLOR CODE
BK	-BLACK
BR	-BROWN
BU	-BLUE
DBU	-DARK BLUE
GR	-GREEN
GY	-GRAY
LBU	-LIGHT BLUE
O	-ORANGE
P	-PINK
R	-RED
Y	-YELLOW
W	-WHITE
W/BK	-WHITE BLACK
W/BR	-WHITE BROWN
W/BU	-WHITE BLUE
W/O	-WHITE ORANGE
W/R	-WHITE RED

- WIRE COLOR CODE
- BK - BLACK
 - BR - BROWN
 - BU - BLUE
 - DBU - DARK BLUE
 - GR - GREEN
 - GY - GRAY
 - LBU - LIGHT BLUE
 - O - ORANGE
 - P - PINK
 - R - RED
 - V - VIOLET
 - W - WHITE
 - Y - YELLOW
 - W/BK - WHITE/BLACK
 - W/BR - WHITE/BROWN
 - W/BU - WHITE/BLUE
 - W/O - WHITE/ORANGE
 - W/R - WHITE/RED

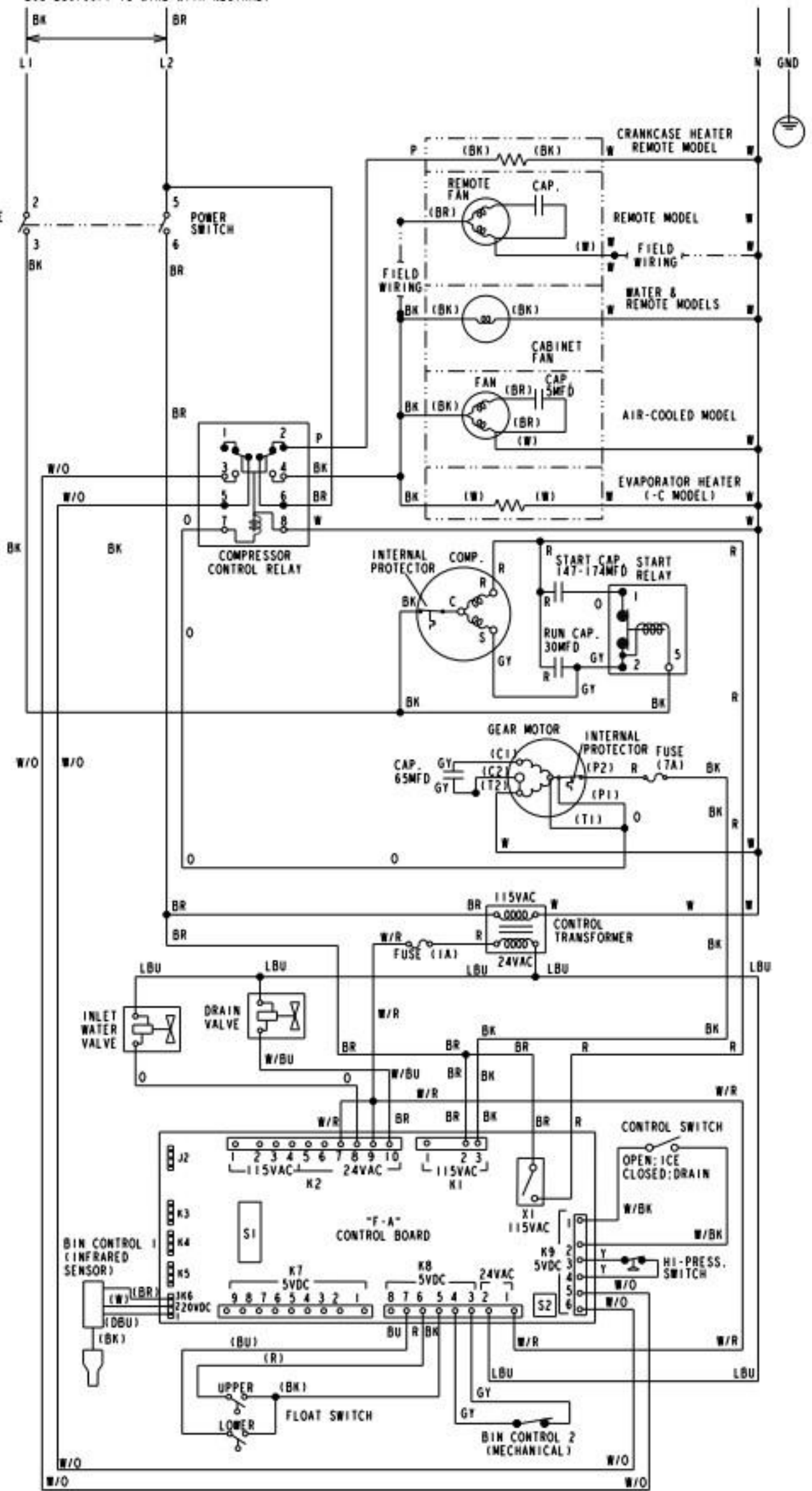
SI DIP SWITCH SETTING	1	2	3	4	5	6	7	8	9	10
F-100IMLJ(-C)	OFF	OFF	OFF	OFF	OFF	OFF	OFF	OFF	OFF	OFF
F-200IMLH	ON	OFF	OFF	OFF	OFF	OFF	OFF	ON	ON	OFF



SI DIP SWITCH SETTING	1	2	3	4	5	6	7	8	9	10
F-1501_H/-C	ON	OFF	OFF	OFF	OFF	OFF	OFF	ON	ON	OFF

208-230/60/1 (3 WIRE WITH NEUTRAL)

- WIRE COLOR CODE
- BK - BLACK
 - BR - BROWN
 - BU - BLUE
 - DBU - DARK BLUE
 - GR - GREEN
 - GY - GRAY
 - LBU - LIGHT BLUE
 - O - ORANGE
 - P - PINK
 - R - RED
 - V - VIOLET
 - W - WHITE
 - Y - YELLOW
 - W/BK - WHITE BLACK
 - W/BR - WHITE BROWN
 - W/BU - WHITE BLUE
 - W/O - WHITE ORANGE
 - W/R - WHITE RED



S1 DIP SWITCH SETTING	1	2	3	4	5	6	7	8	9	10
FD-1001M_H(-C)	ON	OFF	OFF	OFF	OFF	OFF	ON	ON	OFF	OFF
F-1001M_H(-C)	OFF	OFF	OFF	OFF	OFF	OFF	OFF	OFF	OFF	OFF

