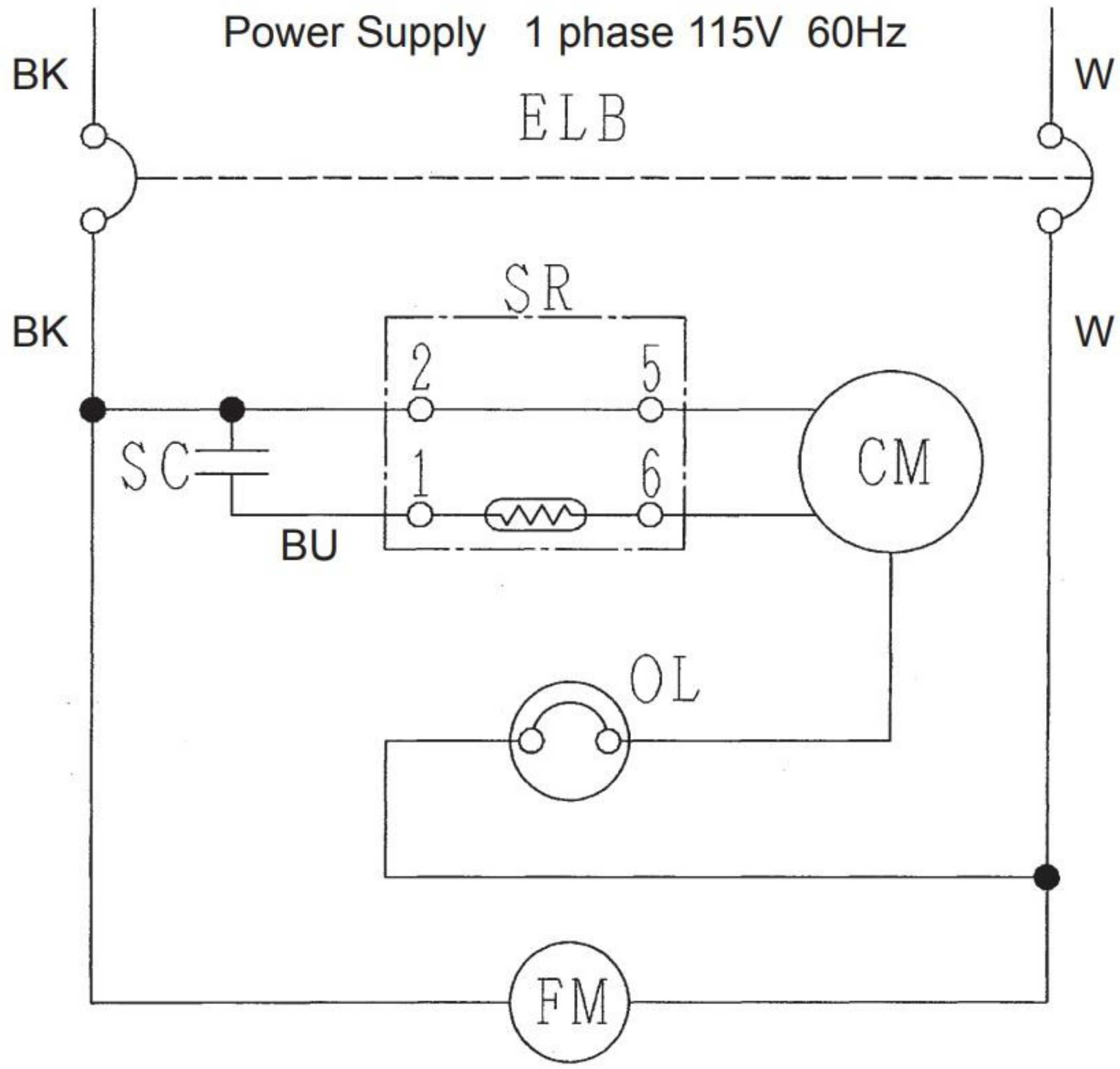


Power Supply 1 phase 115V 60Hz



Power Supply 1 phase 115V 60Hz

