



HOSHIZAKI

Parts List

Stackable Crescent Cuber

Models

KM-1900SAJ/3

KM-1900SWJ/3

KM-1900SRJ(Z)/3



hoshizakiamerica.com

Number: 71384
Issued: 8-31-2017
Revised: 8-6-2025

CONTENTS

Auxiliary Codes.....	3
Note About Ordering Parts	4
A. Main Assembly & Refrigeration Circuit	5
KM-1900SAJ/3	5
KM-1900SWJ/3	9
KM-1900SRJ/3.....	12
KM-1900SRJZ/3.....	13
B. Water Circuit	17
C. Control Box Assembly	21
D. Accessories & Labels	25

Auxiliary Codes

KM-1900SAJ

G-0 May 2017
G-1 October 2017
H-0 January 2018
J-1 May 2019
K-0 January 2020
L-0 January 2021
M-0 January 2022
N-0 January 2023
N-1 October 2023
P-0 January 2024
P-1 March 2024
P-2 April 2024
P-3 August 2024
P-4 September 2024
Q-0 January 2025
Q-1 April 2025
Q-2 July 2025

KM-1900SAJ3

G-0 May 2017
G-1 October 2017
H-0 January 2018
J-0 January 2019
J-1 April 2019
K-0 January 2020
L-0 March 2021
M-0 January 2022
N-0 March 2023
N-1 October 2023
P-0 January 2024
P-1 March 2024
P-2 April 2024
Q-0 January 2025
Q-1 May 2025
Q-2 July 2025

KM-1900SWJ

G-0 May 2017
G-1 October 2017
H-0 March 2018
J-1 May 2019
K-0 January 2020
L-0 March 2021
M-0 January 2022
N-0 March 2023
N-1 October 2023
P-0 January 2024
Q-1 May 2025
Q-2 July 2025

KM-1900SWJ3

G-0 May 2017
G-1 October 2017
H-0 April 2018
J-0 March 2019
J-1 May 2019
K-0 January 2020
L-0 March 2021
M-0 March 2022
N-0 March 2023
N-1 October 2023
P-0 January 2024
Q-0 January 2025
Q-2 July 2025

KM-1900SRJ

G-0 May 2017
G-1 October 2017
H-0 January 2018
J-0 January 2019
J-1 April 2019
K-0 January 2020
L-0 January 2021

KM-1900SRJ3

G-0 May 2017
G-1 November 2017
H-0 January 2018
J-0 January 2019
J-1 April 2019
K-0 January 2020
L-0 January 2021

KM-1900SRJZ

M-0 January 2022
N-0 January 2023
N-1 October 2023
P-0 January 2024
P-2 May 2024
P-3 July 2024
Q-0 January 2025
Q-1 May 2025
Q-2 July 2025

KM-1900SRJZ3

M-0 January 2022
N-0 January 2023
N-1 October 2023
P-0 January 2024
P-2 April 2024
P-3 July 2024
P-4 November 2024
Q-0 January 2025
Q-1 April 2025
Q-2 July 2025

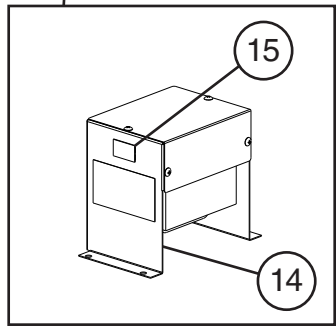
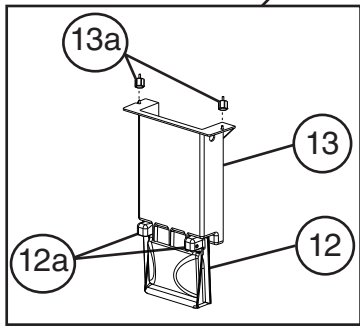
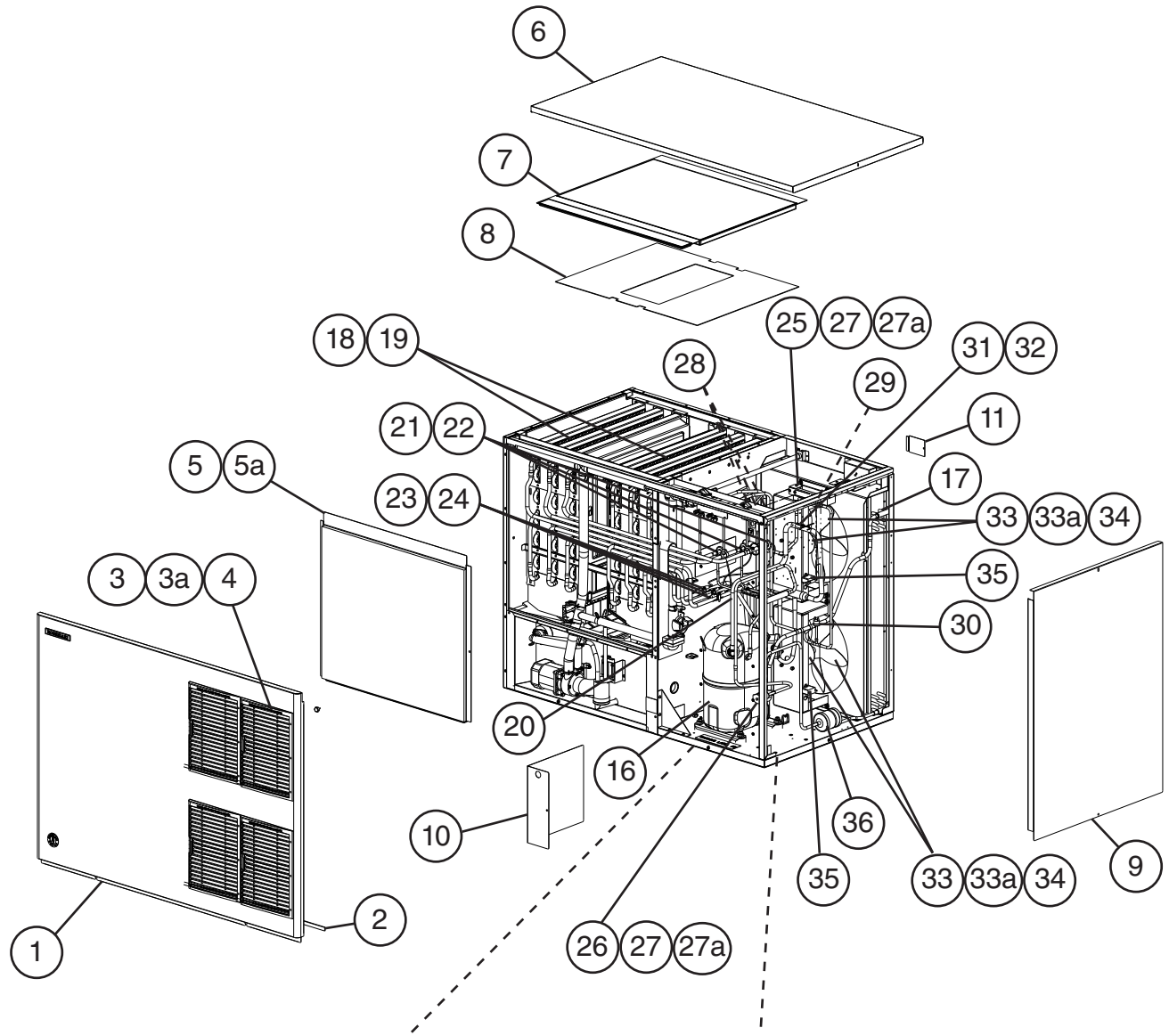
Auxiliary Code Breakdown

The auxiliary code is the first two characters in the serial number. The first character indicates the year. Years progress or regress in alphabetical order. The series runs from "A" through "V" and the letters "I" and "O" are skipped. The second character indicates significant part changes within a year. Base is "0" and this number advances for each change. In cases where there is a letter in parentheses, this designates the month. This is the last character in the serial number. The series runs from "(A)" through "(M)" and the letter "(I)" is skipped. This designation is only included when identifying a parts change within an auxiliary code.

Note About Ordering Parts

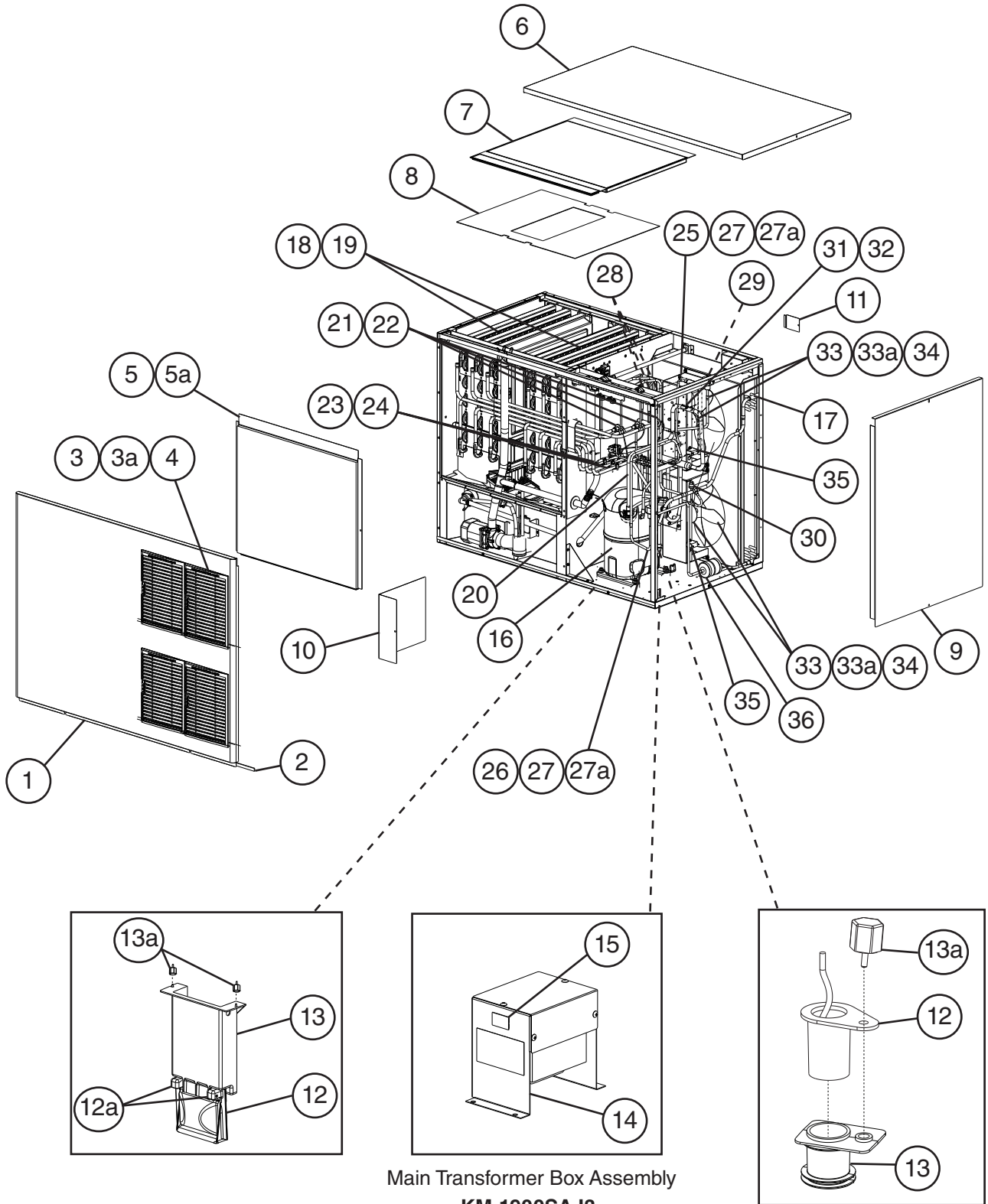
Most assemblies cannot be ordered as complete units; parts in the assemblies generally must be ordered separately.

A. Main Assembly & Refrigeration Circuit
KM-1900SAJ/3
1/2
 N-1(J) and earlier



Main Transformer Box Assembly
KM-1900SAJ3

A. Main Assembly & Refrigeration Circuit
KM-1900SAJ/3
2/2
 N-1(K) to Q-2



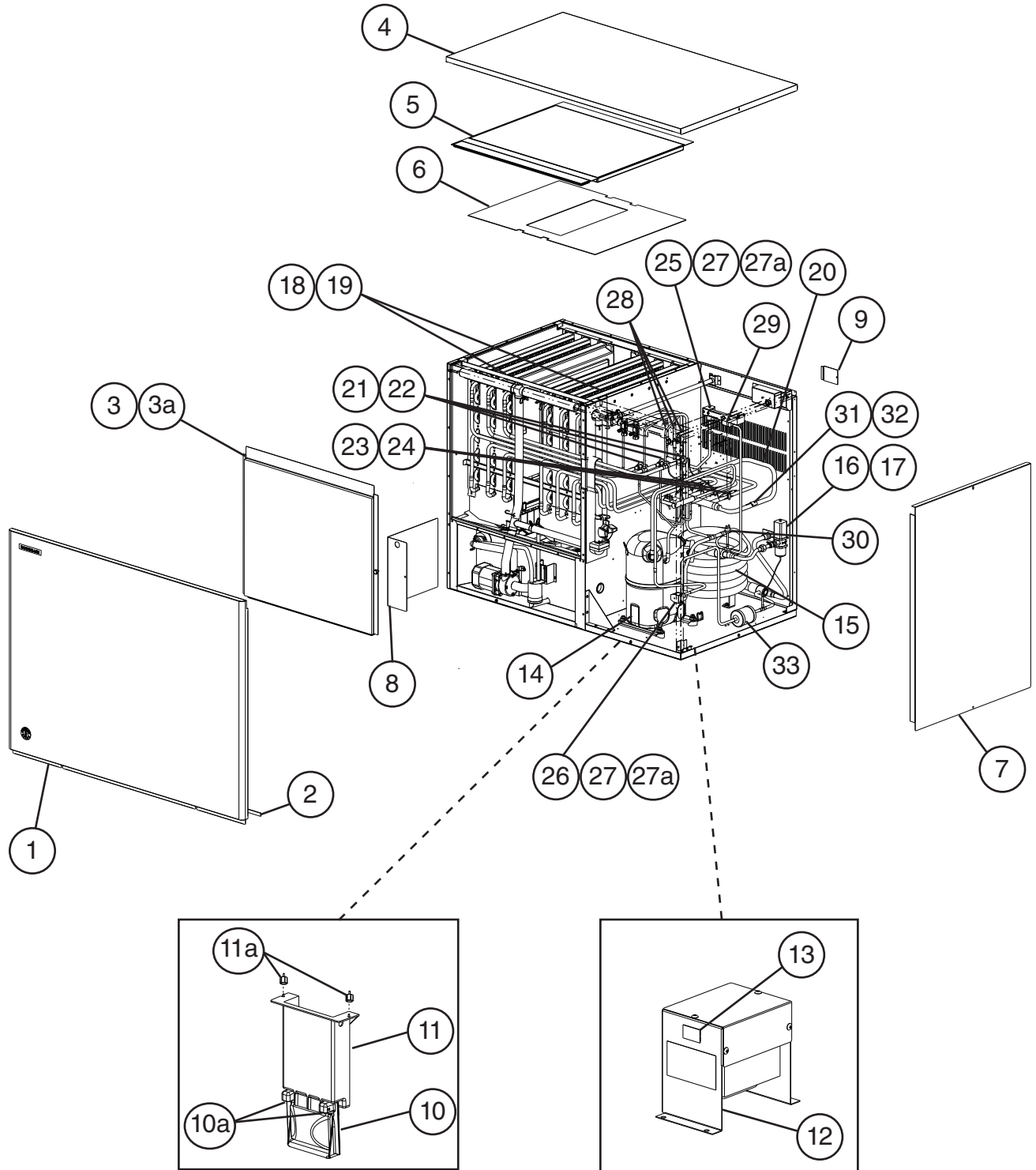
Title: A. Main Assembly & Refrigeration Circuit Model: KM-1900SAJ/3

Index No.	Description	Material or Model Number	Part Number	Required Number						
				G-0 to N-1 (J)	N-1 (K) to Q-1	Q-2				
Main Assembly										
1	Front Panel Assembly	Front Panel Only	3A1800G01	1	-					
			3B2126G02		1	1				
2	Gasket	L=1219 mm	4A0808L02	1	1	1				
3	Louver		1A0548-01	4	4	4				
3a	Push Retainer		4A2414-01	12	12	12				
4	Air Filter		2A2063G01	4	4	4				
5	Front Installation		326041G01	1	1	1				
5a	Thumbscrew		415949G10	1	1	1				
6	Top Panel		2A2255-01	1	1	1				
7	Top Insulation		324216G01	1	1	1				
8	Spacer		324321-01	1	1	1				
9	Right Side Panel		215381G02	1	1	1				
10	Control Box Cover		3A2386-03	1	-					
			3B2171-01		1	1				
11	Junction Box Cover		433410-01	1	1	1				
12	Mechanical Bin Control		2A8598G01	1	1	-				
	Ultrasonic Bin Control		4A6148G02			1				
12a	Thumbscrew		415949G10	2	2	-				
13	Bin Control Mounting Bracket		3A5726-01	1	1	-				
	Ultrasonic Sensor Holder		4A7285-01			1				
13a	Thumbscrew		415949G10	2	2	-				
						1				
14	Main Transformer	KM-1900SAJ3	4A5695-01	1	1	1				
15	Voltage Tap Switch	KM-1900SAJ3	4A1477-01	1	1	1				
Refrigeration Circuit										
16	Compressor	KM-1900SAJ	4A4581-01	1	1	1				
		KM-1900SAJ3	4A4582-01	1	1					
17	Condenser		2A1991-01	1	1	1				
18	Evaporator Bank Assembly (includes 4 of item 19)	SP-5371	2A8347G01	2	2	2				
19	Separator Hook		324152-01	8	8	8				
20	Heat Exchanger		1A4462G01	1	1	1				
21	Thermostatic Expansion Valve		4A1414-02	3	3	3				
22	Thermostatic Expansion Valve Cover		3A0944-01	3	3	3				
23	Thermostatic Expansion Valve Bulb Holder		3A0107-01	3	3	3				
24	Clamp		443461-02	3	3	3				
25	Hot Gas Valve Body		4A3978-01	1	1	1				
26	Liquid Line Valve Body		4A3276-01	1	1	1				
27	Valve Coil		4A3277-01	2	2	2				
27a	Bolt		4A3277F01	2	2	2				
28	Check Valve		4A1373-01	3	3	3				

Title: A. Main Assembly & Refrigeration Circuit Model: KM-1900SAJ/3

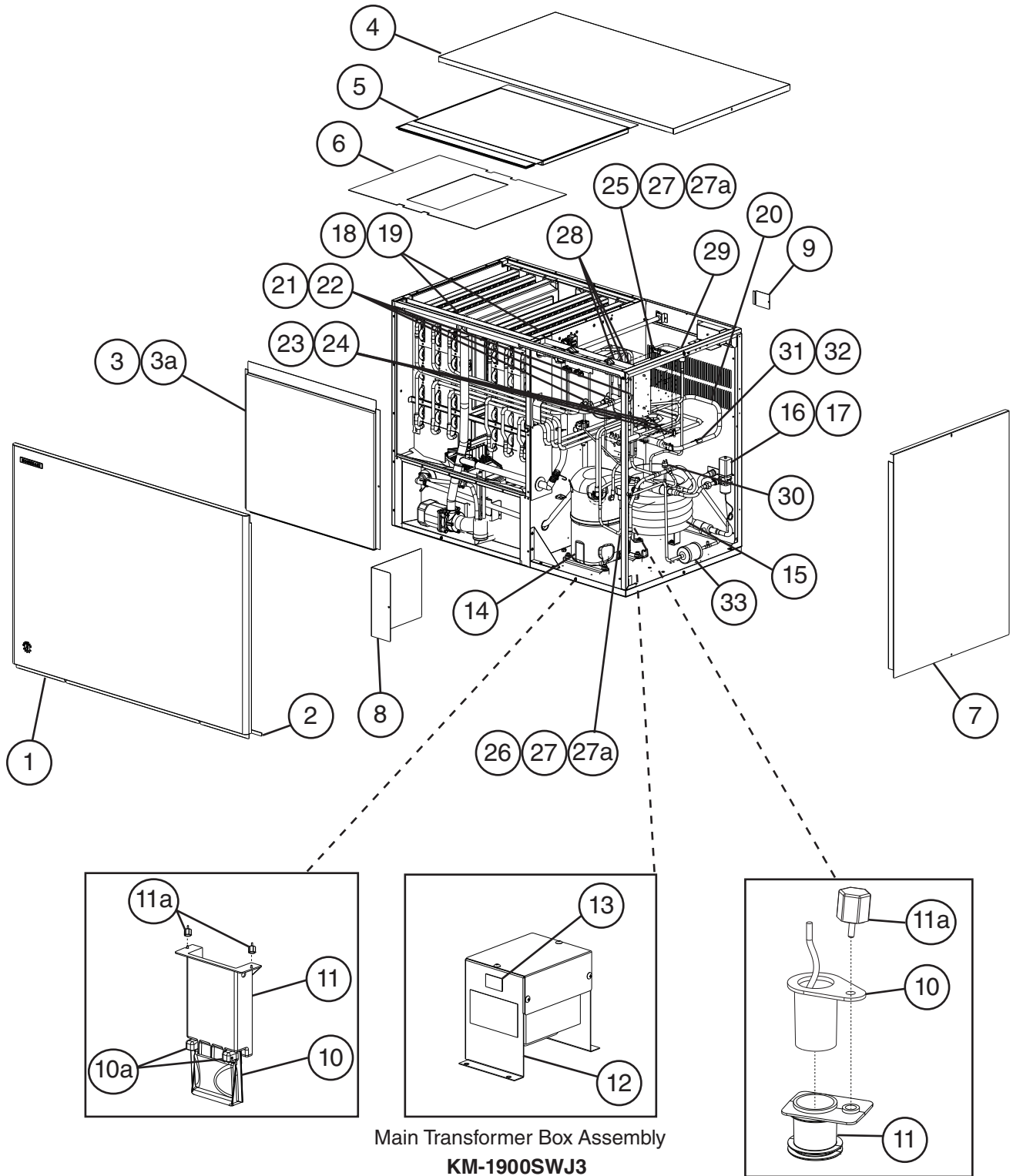
Index No.	Description	Material or Model Number	Part Number	Required Number									
				G-0 to N-1 (J)	N-1 (K) to Q-1	Q-2							
29	Strainer		441569-04	1	1	1							
30	High-Pressure Switch		463180-04	1	1	1							
31	Thermistor		429006-03	1	1	1							
32	Thermistor Holder		438247-01	1	1	1							
33	Fan Motor		4A3158-01	2	2	2							
33a	Self-Locking Nut		7N2110832	8	8	8							
34	Fan Blade		4A0197-01	2	2	2							
35	Fan Motor Capacitor	5.0MFD, 250VAC	4A6435-02	2	2	2							
36	Drier		4A1338-01	1	1	1							

A. Main Assembly & Refrigeration Circuit
KM-1900SWJ/3
1/2
 N-1(J) and earlier



Main Transformer Box Assembly
KM-1900SWJ3

A. Main Assembly & Refrigeration Circuit
KM-1900SWJ/3
2/2
 N-1(K) to Q-2



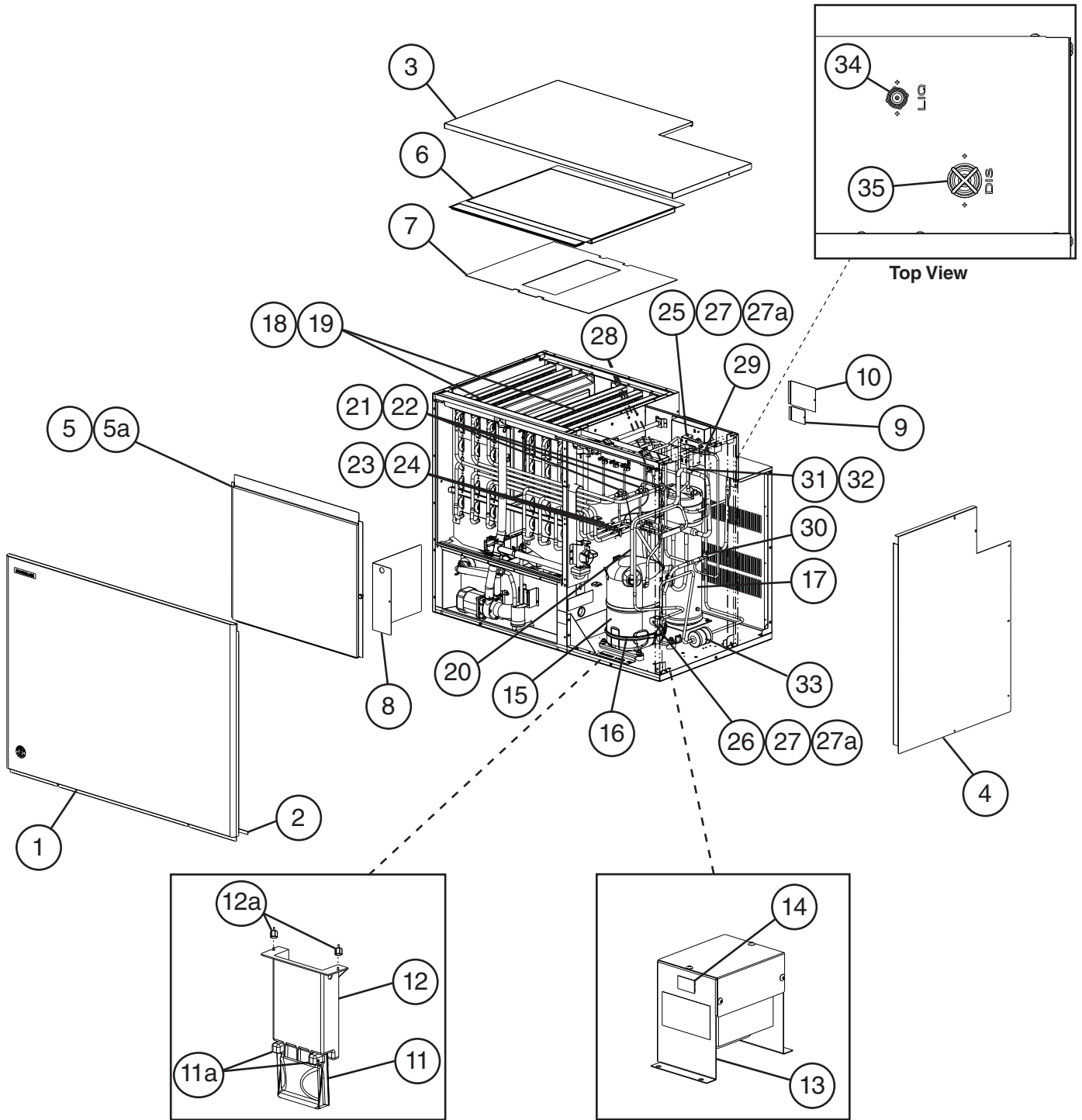
Title: A. Main Assembly & Refrigeration Circuit Model: KM-1900SWJ/3										
Index No.	Description	Material or Model Number	Part Number	Required Number						
				G-0 to N-1 (J)	N-1 (K) to Q-0	Q-2				
Main Assembly										
1	Front Panel Assembly	Front Panel Only	3A1838G01	1	-					
			3B2126G01		1	1				
2	Gasket	L=1219 mm	4A0808L02	1	1	1				
3	Front Insulation		326041G01	1	1	1				
3a	Thumbscrew		415949G10	1	1	1				
4	Top Panel		2A2255-01	1	1	1				
5	Top Insulation		324216G01	1	1	1				
6	Spacer		324321-01	1	1	1				
7	Right Side Panel		215381G02	1	1	1				
8	Control Box Cover		3A2386-03	1	-					
			3B2171-01		1	1				
9	Junction Box Cover		433410-01	1	1	1				
10	Mechanical Bin Control		2A8598G01	1	1	-				
	Ultrasonic Bin Control		4A6148G02			1				
10a	Thumbscrew		415949G10	2	2	-				
11	Bin Control Mounting Bracket		3A5726-01	1	1	-				
	Ultrasonic Sensor Holder		4A7285-01			1				
11a	Thumbscrew		415949G10	2	2	-				
						1				
12	Main Transformer	KM-1900SWJ3	4A5695-01	1	1	1				
13	Voltage Tap Switch	KM-1900SWJ3	4A1477-01	1	1	1				
Refrigeration Circuit										
14	Compressor	KM-1900SWJ	4A4581-01	1	1	1				
		KM-1900SWJ3	4A4582-01	1	1	1				
15	Water-Cooled Condenser		3A7324-01	1	1	1				
16	Water Regulating Valve		4A0911-07	1	1	1				
17	Male Connector		4A1087-01	1	1	1				
18	Evaporator Bank Assembly (includes 4 of item 19)	SP-5371	2A8347G01	2	2	2				
19	Separator Hook		324152-01	8	8	8				
20	Heat Exchanger		1A4467G01	1	1	1				
21	Thermostatic Expansion Valve		4A1414-02	3	3	3				
22	Thermostatic Expansion Valve Cover		3A0944-01	3	3	3				
23	Thermostatic Expansion Valve Bulb Holder		3A0107-01	3	3	3				
24	Clamp		443461-02	1	1	1				
25	Hot Gas Valve Body		4A3978-01	1	1	1				
26	Liquid Line Valve Body		4A3276-01	1	1	1				
27	Valve Coil		4A3277-01	2	2	2				
27a	Bolt		4A3277F01	2	2	2				
28	Check Valve		4A1373-01	3	3	3				
29	Strainer		441569-04	1	1	1				
30	High-Pressure Switch		463180-05	1	1	1				
31	Thermistor	L=1050 mm	429006-03	1	1	1				
32	Thermistor Holder		438247-01	1	1	1				
33	Drier		4A1338-01	1	1	1				

A. Main Assembly & Refrigeration Circuit

KM-1900SRJ/3

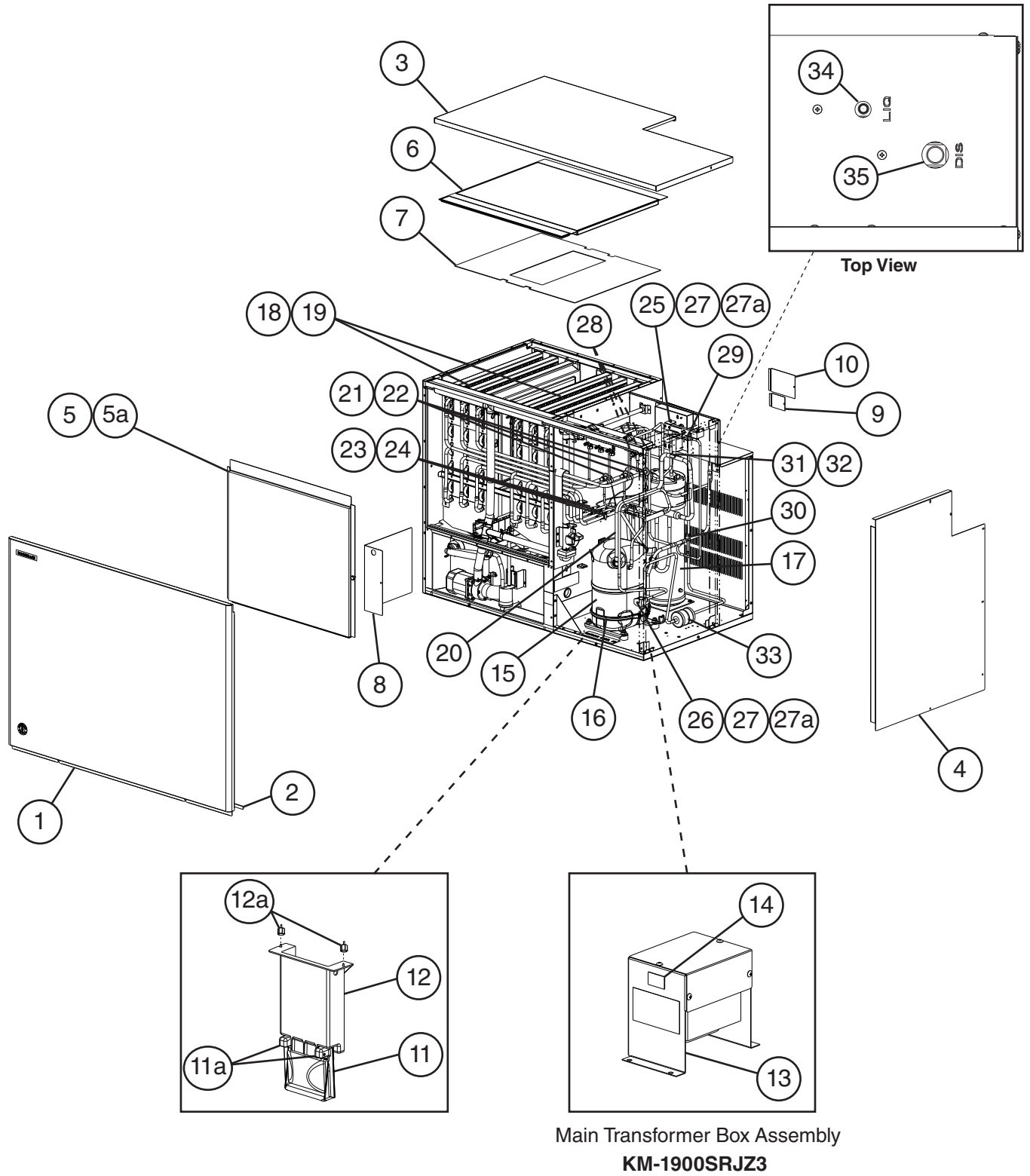
1/3

G-0 to L-0

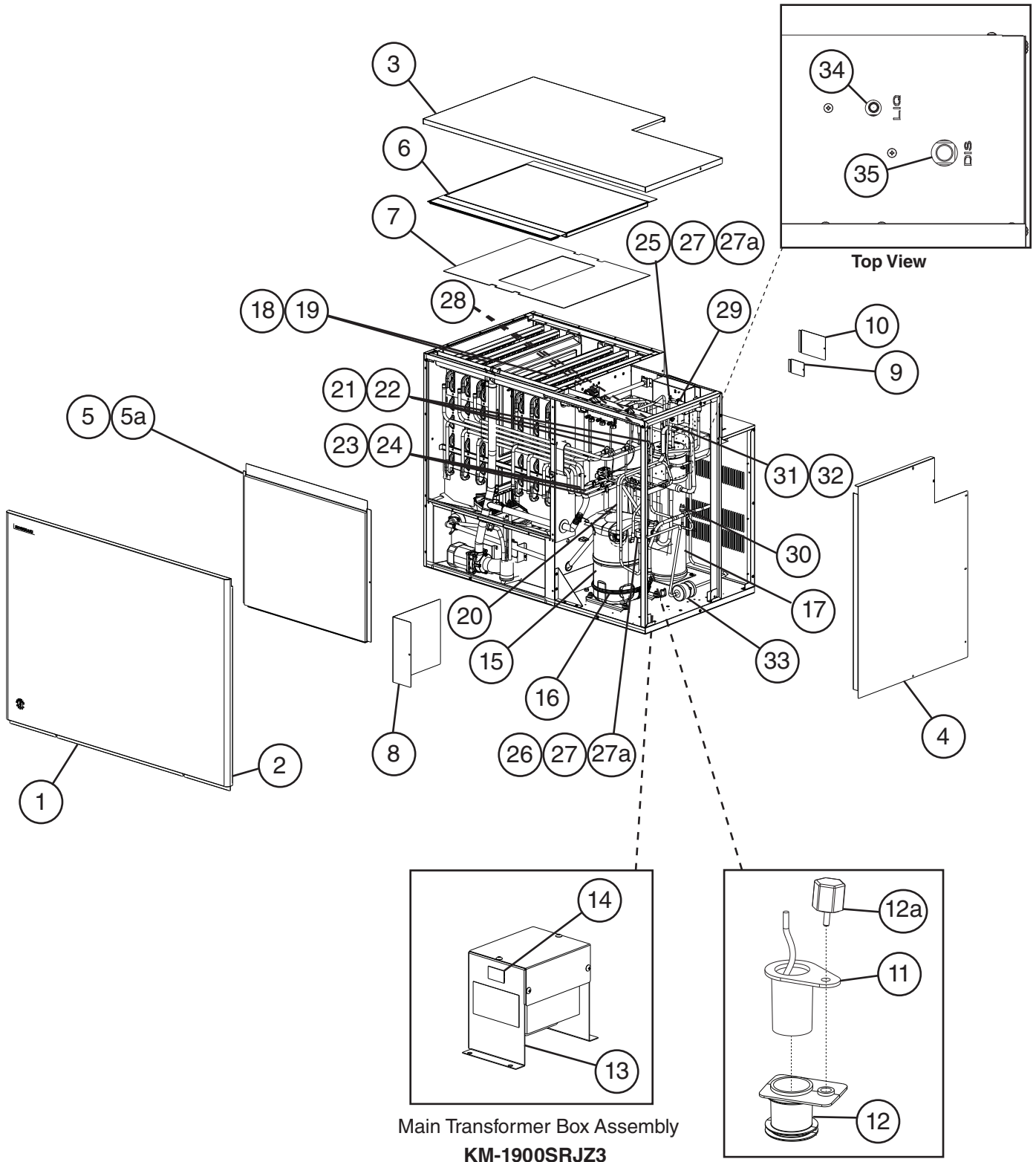


Main Transformer Box Assembly
KM-1900SRJ3

A. Main Assembly & Refrigeration Circuit
KM-1900SRJZ/3
2/3
 M-0 to Q-1



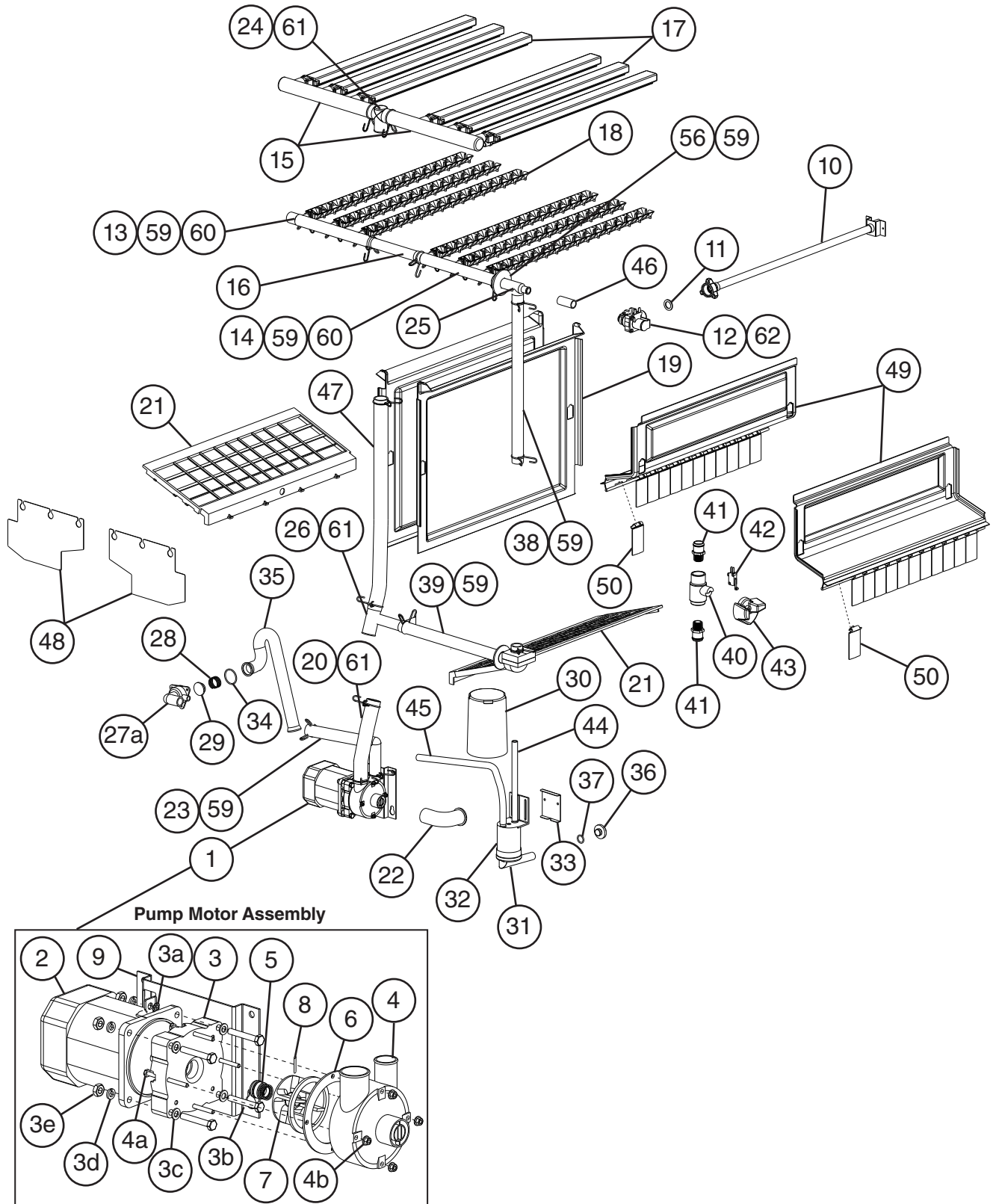
A. Main Assembly & Refrigeration Circuit
KM-1900SRJZ/3
3/3
Q-2



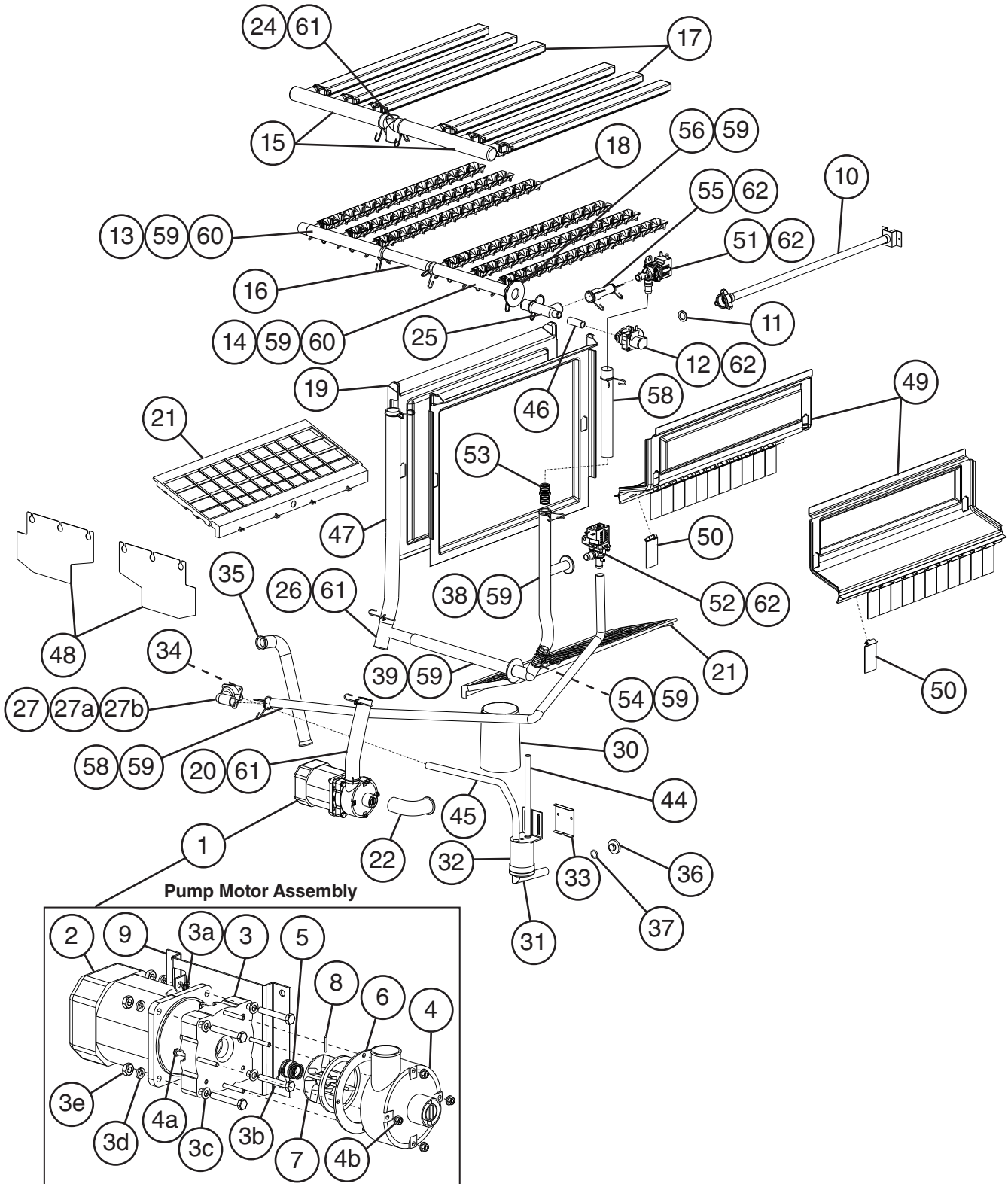
Title: A. Main Assembly & Refrigeration Circuit Model: KM-1900SRJ(Z)/3											
Index No.	Description	Material or Model Number	Part Number	Required Number							
				G-0 to L-0	M-0 to N-1 (J)	N-1 to Q-1 (K)	Q-2				
Main Assembly											
1	Front Panel Assembly	Front Panel Only	3A1838G01	1	1	-					
			3B2126G01			1	1				
2	Gasket	L=1219 mm	4A0808L02	1	1	1	1				
3	Top Panel		2A8390-01	1	1	1	1				
4	Right Side Panel		2A8391-01	1	1	1	1				
5	Front Insulation		326041G01	1	1	1	1				
5a	Thumbscrew		415949G10	1	1	1	1				
6	Top Insulation		324216G01	1	1	1	1				
7	Spacer		324321-01	1	1	1	1				
8	Control Box Cover	KM-1900SRJ	3A2386-01	1	1	-					
		KM-1900SRJ(Z)3	3B2171-01			1	1				
9	Junction Box Cover A		433410-01	1	1	1	1				
10	Junction Box Cover B		4A4704-01	1	1	1	1				
11	Mechanical Bin Control		2A8598G01	1	1	1	-				
	Ultrasonic Bin Control		4A6148G02				1				
11a	Thumbscrew		415949G10	2	2	2	-				
12	Bin Control Mounting Bracket		3A5726-01	1	1	1	-				
	Ultrasonic Sensor Holder		4A7285-01				1				
12a	Thumbscrew		415949G10	2	2	2	-				
							1				
13	Main Transformer	KM-1900SRJZ3	4A5695-01	1	1	1	1				
14	Voltage Tap Switch	KM-1900SRJZ3	4A1477-01	1	1	1	1				
Refrigeration Circuit											
15	Compressor	KM-1900SRJ(Z)	4A4581-01	1	1	1	1				
		KM-1900SRJZ3	4A4582-01	1	1	1	1				
16	Crankcase Heater		4A5397-02	1	1	1	1				
17	Receiver		4A6215-01	1	1	1	1				
18	Evaporator Bank Assembly (includes 4 of item 19)	SP-5371	2A8347G01	2	2	2	2				
19	Separator Hook		324152-01	8	8	8	8				
20	Heat Exchanger		1A4462G01	1	1	1	1				
21	Thermostatic Expansion Valve		4A1414-02	3	3	3	3				
22	Thermostatic Expansion Valve Cover		3A0944-01	3	3	3	3				
23	Thermostatic Expansion Valve Bulb Holder		3A0107-02	3	3	3	3				
24	Clamp		443461-02	3	3	3	3				
25	Hot Gas Valve Body		4A3978-01	1	1	1	1				
26	Liquid Line Valve Body		4A3276-01	1	1	1	1				
27	Valve Coil		4A3277-01	2	2	2	2				
27a	Bolt		4A3277F01	2	2	2	2				
28	Check Valve		4A1373-01	3	3	3	3				
29	Strainer		441569-04	1	1	1	1				
30	High-Pressure Switch		463180-04	1	1	1	1				

Title: A. Main Assembly & Refrigeration Circuit Model: KM-1900SRJ(Z)/3											
Index No.	Description	Material or Model Number	Part Number	Required Number							
				G-0 to L-0	M-0 to N-1 (J)	N-1 (K) to Q-1	Q-2				
31	Thermistor	L=1050 mm	429006-03	1	1	1	1				
32	Thermistor Holder		438247-01	1	1	1	1				
33	Drier		4A1338-01	1	1	1	1				
34	Liquid Line Coupling	KM-1900SRJ/3	426554-01	1	-						
	Liquid Line Shutoff Valve	KM-1900SRJZ/3	4A3491-01		1	1	1				
35	Discharge Line Coupling	KM-1900SRJ/3	434072-01	1	-						
	Discharge Line Shutoff Valve	KM-1900SRJZ/3	4A3490-01		1	1	1				

B. Water Circuit
KM-1900S_J(Z)/3
1/2
 N-1(J) and earlier



B. Water Circuit
KM-1900S_J(Z)/3
2/2
 N-1(K) to Q-2



Title: B. Water Circuit Model: KM-1900S_J(Z)/3

Index No.	Description	Material or Model Number	Part Number	Required Number								
				G-0 to N-1 (J)	N-1 (K) to P-0	P-1 to P-3	P-4	Q-0 Q-2				
1	Pump Motor Assembly (includes items 2 through 9)	S-0730	215692A03	1	-							
			2B0567A01		1	1	1	1	1			
2	Pump Motor		4A7462-01	1	1	1	1	1				
3	Pump Flange		215662-01	1	1	1	1	1				
3a	Tooth Washer		7R22-0600	2	2	2	2	2				
3b	Hex Head Bolt	6x40	7B02-0640	4	4	4	4	4				
3c	Flat Washer		7W22-0600	4	4	4	4	4				
3d	Split Lock Washer		7L22-0600	4	4	4	4	4				
3e	Hex Nut		7N12-0600	4	4	4	4	4				
4	Pump Housing		213687-01	1	-							
			4A6641-01		1	1	1	1				
4a	Hex Head Bolt	4x55	7B02-0455	4	4	4	4	4				
4b	Hex Flange Nut		7J02-0400	4	4	4	4	4				
5	Mechanical Seal		4A3820-03	1	1	1	1	1				
6	Packing		428547-01	1	1	1	1	1				
7	Impeller		436584-01	1	1	1	1	1				
8	Pin		4A0648-01	1	1	1	1	1				
9	Pump Motor Bracket		323904-01	1	1	1	1	1				
10	Water Supply Pipe	KM-1900SRJZ/3	4A0768G04	1	-			1				
			4A0768G11		1	1	1	1				
11	Rubber Gasket		413854-03	1	1	1	1	1				
12	Inlet Water Valve		3U0111-01	1	1	-		1				
			3B1433-01			1	1	-				
13	Distributor Hose A		325738-01	1	1	1	1	1				
14	Distributor Hose B		325738-02	1	1	1	1	1				
15	Distributor Hose C		325739-01	2	2	2	2	2				
16	Joint Pipe		439297-01	1	1	1	1	1				
17	Spray Tube		437049G01	6	6	6	6	6				
18	Spray Guide		2A4282-02	6	6	6	6	6				
19	Separator A		215046-01	2	2	2	2	2				
20	Vinyl Hose	L=230 mm	7716B2732	1	1	1	1	1				
21	Cube Guide		214243-01	2	2	2	2	2				
22	Hose A		435091-01	1	1	1	1	1				
23	Drain Hose	KM-1900SRJ/3	325869-01	1	1	1	1					
24	Distributor A		439266-01	1	1	1	1	1				
25	Distributor B (Tee)		439239-01	1	1	1	1	1				
26	Distributor C		439238-01	1	1	1	1	1				
27	Drain Housing Assembly (Includes items 27a and 27b)	All Except KM-1900SRJ/3	3B1598G01		1	1	1	1				
27a	Drain Valve Housing		323613-01	1	1	1	1	1				
27b	Joint Pipe	All Except KM-1900SRJ/3	4A6286-01		1	1	1	1				
28	Spring		322110-01	1								
29	Valve Seat		433705-01	1								
30	Overflow Cap		325866-01	1	1	1	1	1				
31	Float Switch Connector		426799-04	1	1	1	1	1				

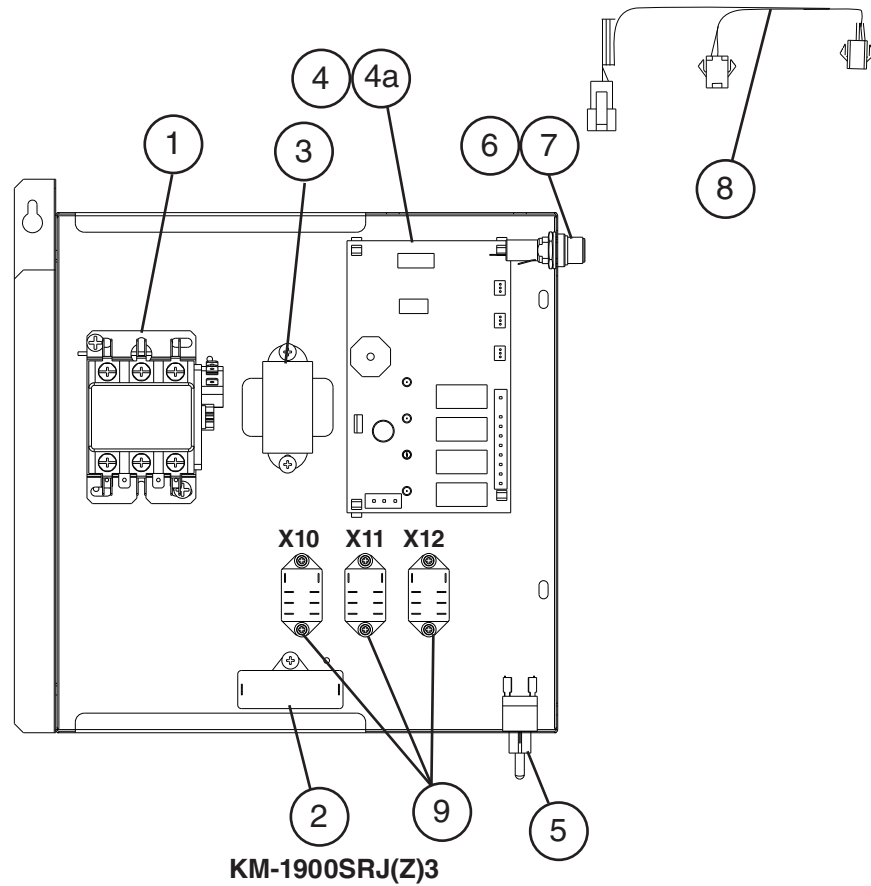
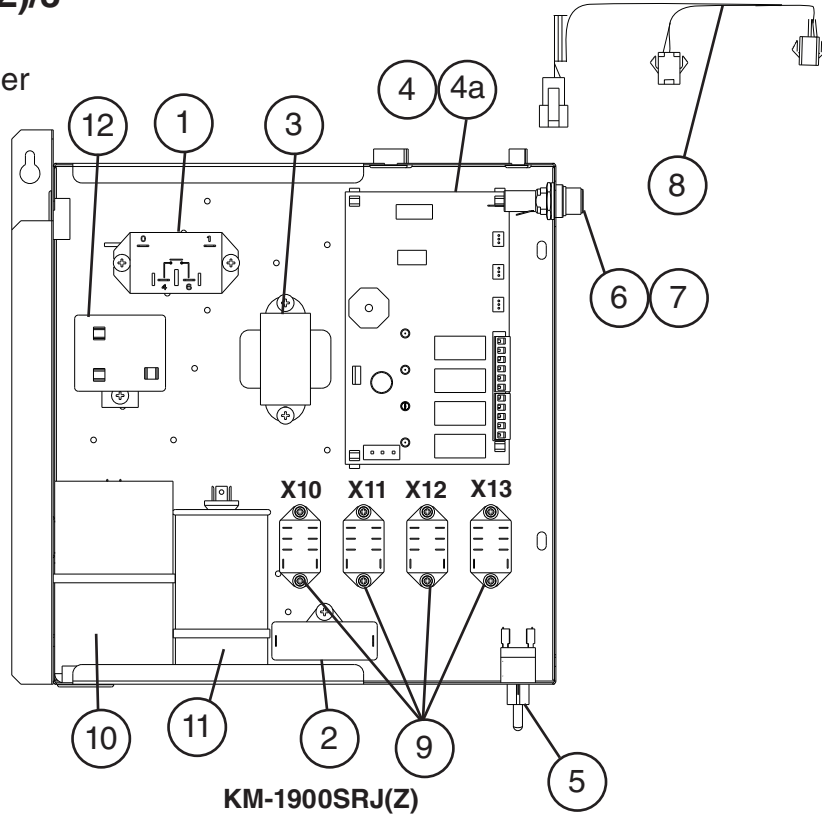
Title: B. Water Circuit Model: KM-1900S_J(Z)/3													
Index No.	Description	Material or Model Number	Part Number	Required Number									
				G-0 to N-1 (J)	N-1 (K) to P-0	P-1 to P-3	P-4	Q-0 Q-2					
32	Float Switch Assembly		4A7077G01	1	1	1	1	1					
33	Float Switch Stop		3A9640-01	1	1	1	1	1					
34	Drain Valve O-Ring		7611-G035	1	1	1	1						
35	Hose B		324757-01	1	-								
		SP-5728	325867-01		1	1	1	1					
36	Drain Plug		309246-01	1	1	1	1	1					
37	O-Ring		7611-P015	1	1	1	1	1					
38	Joint Hose		439309-01	1	-								
			2A8823-01		1	1	1	1					
39	Bypass Hose		439237-02	1	1	1	1	1					
40	Control Valve Ball Valve	S-0761	439293-01	1									
41	Control Valve Male Adaptor		325826-01	2									
42	Control Valve Microswitch		4A2546-01	1									
43	Control Valve Handle		215383-01	1									
44	Silicone Hose	L=250 mm	7730I3812	1	1	1	1	1					
45	Silicone Hose	L=430 mm	7730I3896	1	1	1	1	1					
46	Vinyl Hose	L=40 mm	7716B1519		1	1	-						
	Silicone Hose		7716B1216				1	1					
47	Vinyl Hose	L=750 mm	7716B2732	1	1	1	1	1					
48	Splash Guard		4A6141-01	2	2	2	2	2					
49	Splash Curtain		1A4890-01	2	2	2	2	2					
50	Separator		3A9811-01	24	24	24	24	24					
51	Cleaning Valve		4A5745-06		1	1	1	1					
52	Drain Valve		4A5745-07		1	1	1	1					
53	Hose Barb		4A7351-01		2	2	1	1					
54	Hose Barb B		2A8823-03				1	1					
55	Vinyl Hose	L= 60 mm All	7716B2025		1	1	-						
		All Except KM-1900SRJ/3	3B1462-01				1	1					
56	Flange		439267-02	1	1	1	1	1					
57	Silicone Hose		7716B1216		1	1	1	1					
58	Silicone Hose		7716B1519		1	1	1	1					
Hose Clamps													
59	Hose Clamp	25 mm	427443-03	9	9	9	9	9					
60	Hose Clamp	13.5 mm	427443-07	6	6	6	6	6					
61	Hose Clamp	32 mm	427443-09	6	6	6	6	6					
62	Hose Clamp	17-21 mm	4A2017-05	1	-								
			427443-05		6	6	6	6					

C. Control Box Assembly

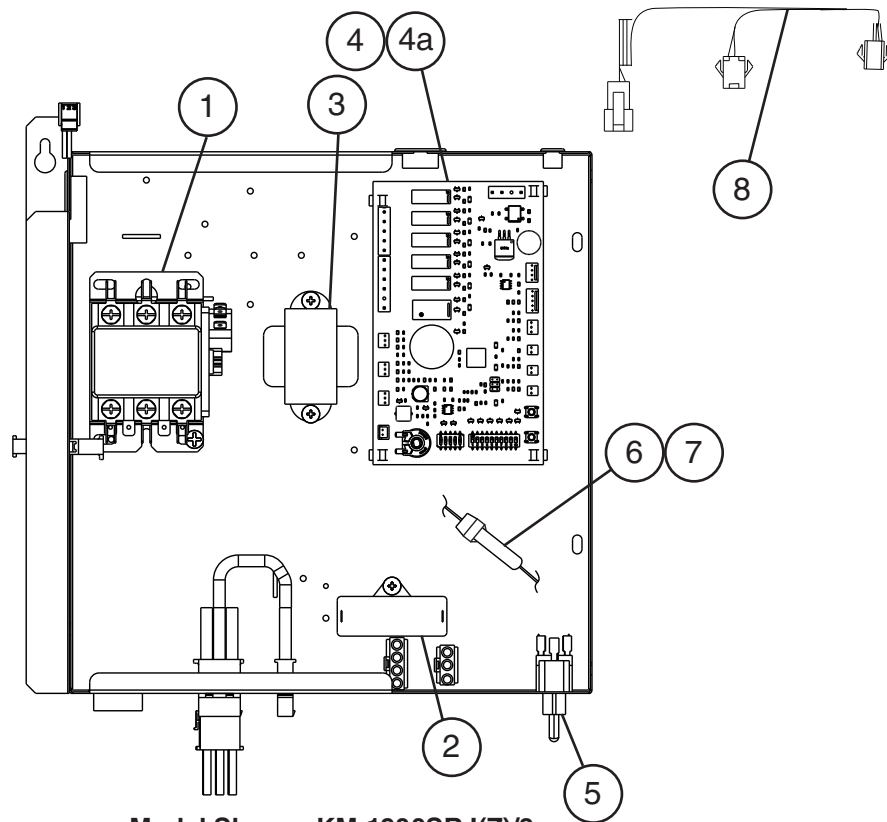
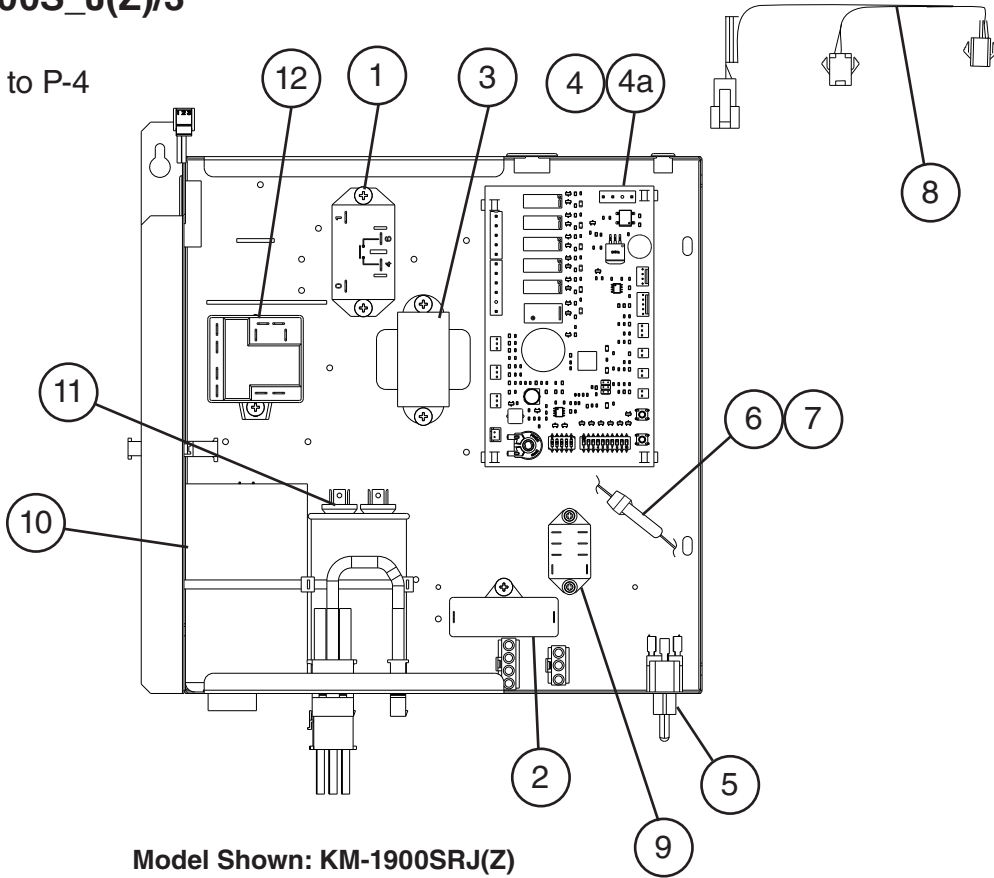
KM-1900S_J(Z)/3

1/3

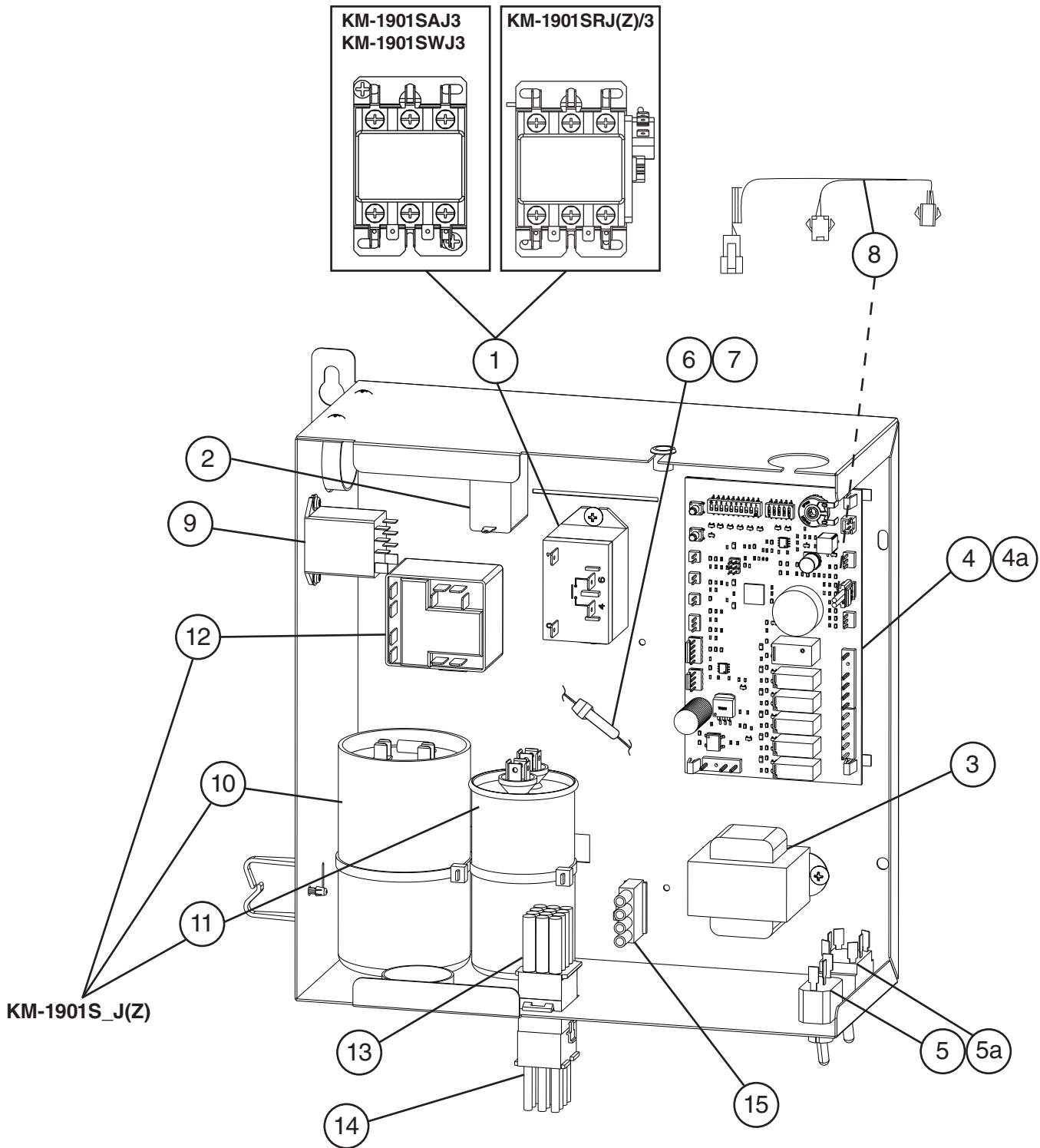
N-1(J) and earlier



C. Control Box Assembly
KM-1900S_J(Z)/3
2/3
 N-1(K) to P-4



C. Control Box Assembly
KM-1900S_J(Z)/3
3/3
 Q-0 to Q-2

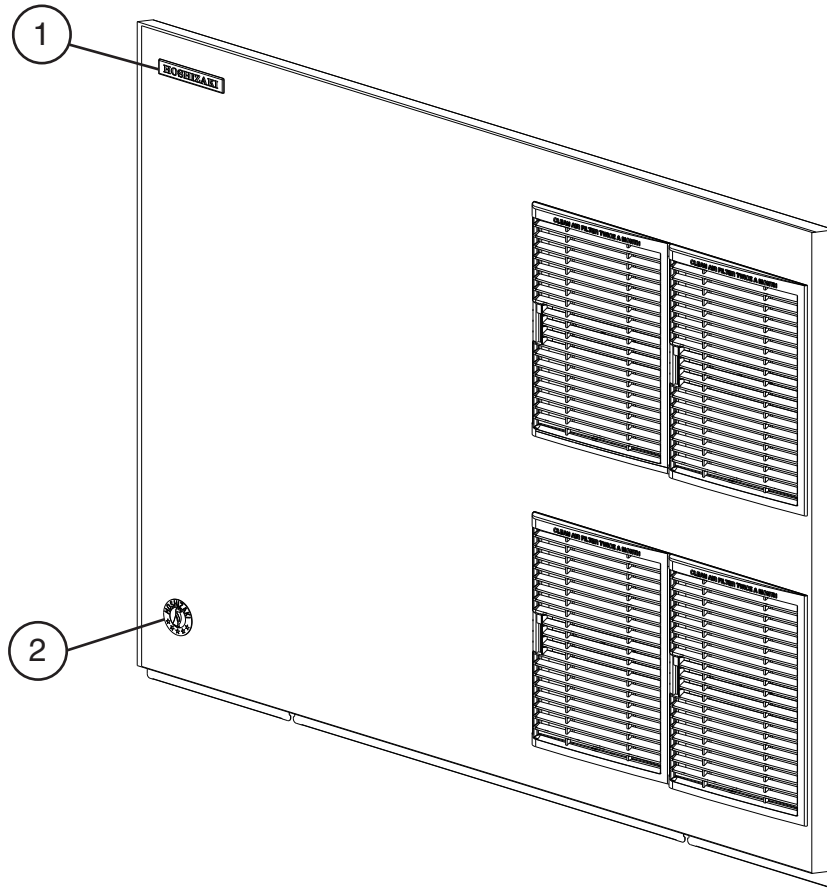


Title: C. Control Box Assembly Model: KM-1900S_J(Z)/3										
Index No.	Description	Material or Model Number	Part Number	Required Number						
				G-0 to N-1 (J)	N-1 (K) to P-4	Q-0 Q-2				
1	Compressor Relay	KM-1900SAJ KM-1900SWJ KM-1900SRJ(Z)	4A3140-01	1	1	1				
	Magnetic Contactor	KM-1900SAJ3 KM-1900SWJ3	4A0794-02	1	1	1				
		KM-1900SRJ(Z)3	4A0794-01	1	1	1				
2	Pump Motor Capacitor	15MFD, 240VAC KM-1900SAJ KM-1900SWJ/3	439705-01	1	1	1				
3	Control Transformer		3A0172-01	1	1	1				
4	Control Board		2A7664-04	1	-					
			2A9678-02		1	1				
4a	Control Board Support		4A0336-03	4	4	4				
5	Control Switch		443119-01	1	-					
			4A0985-01		1	1				
5a	Mode Switch		4A6232-01			1				
6	Fuse Holder	KM-1900SRJ/3	4A5443-01	1	-					
	In-Line Fuse Holder		4A6950-01		1	1				
7	Fuse	AGC-10A, 250VAC KM-1900SRJ/3	4A0893-07	1	1	1				
8	Wire Harness	KM-1900SRJ(Z)/3	4A5197G01	1	1	-				
		KM-1900SAJ/3 KM-1900SWJ/3	4A6973G01	1	1	-				
		KM-1900SAJ/3 KM-1900SWJ/3	4A7670G01			1				
		KM-1900SRJZ/3	4A7671G01			1				
9	Relay X10 = Pump Direction Relay X11 = X10 Control Relay X12 = Anti-Slush Control Relay		406132-07	3						
	X13 = Crankcase Heater	KM-1900SRJ(Z)		1	1	1				
10	Start Capacitor	189-227MFD, 330VAC KM-1900S_J	3A0076-12	1	1	1				
11	Run Capacitor	35MFD, 440VAC KM-1900S_J	3A2005-12	1	1	1				
		KM-1900SAJ/3	4A6435-02			2				
12	Start Relay		4A1107-09	1	1	1				
13	Wire Harness A		1A5695-01		1	-				
		KM-1900SWJ KM-1900SRJZ	1A7314-01			1				
		KM-1900S_J	1A7314-02			1				
		KM-1900SRJZ3 KM-1900SWJ3	1A7315-01			1				
		KM-1900SAJ3	1A7315-02			1				
14	Wire Harness B		1A5696-01		1	-				
		KM-1900SAJ/3 KM-1900SWJ3	1A7316-01			1				
15	Wire Harness C	KM-1900SRJZ/3	1A5697-01		1	1				
16	Wire Harness D (not shown)	KM-1900SWJ3	1A5760-01		1	-				
17	Compressor Harness (not shown)		1A4899-02		1	1				

D. Accessories & Labels

KM-1900S_J(Z)/3

G-0 to Q-2



Title: D. Accessories & Labels Model: KM-1900S_J(Z)/3										
Index No.	Description	Material or Model Number	Part Number	Required Number						
				G-0 to Q-2						
1	Hoshizaki Emblem		4A0560-01	1						
2	Penguin Label		475552L02	1						
3	Universal Brace		4A0363-01	2						
3a	Hex Bolt	5x12, SS	7B02-0512	4						