



HOSHIZAKI

Parts List

Modular Crescent Cuber

Model
KM-201BAH



hoshizakiamerica.com

Number: F016-3164
Issued: 7-2016

Auxiliary Codes

KM-201BAH	T-1	November 2009
	U-1	February 2009
	V-1	April 2010
	V-2	August 2010

Auxiliary Code Breakdown

The auxiliary code is the first two characters in the serial number. The first character indicates the year. Years progress or regress in alphabetical order. The series runs from "A" through "V" and the letters "I" and "O" are skipped. The second character indicates significant part changes within a year. Base is "0" and this number advances for each change. In cases where there is a letter in parentheses, this designates the month. This is the last character in the serial number. The series runs from "(A)" through "(M)" and the letter "(I)" is skipped. This designation is only included when identifying a parts change within an auxiliary code.

Note About Ordering Parts

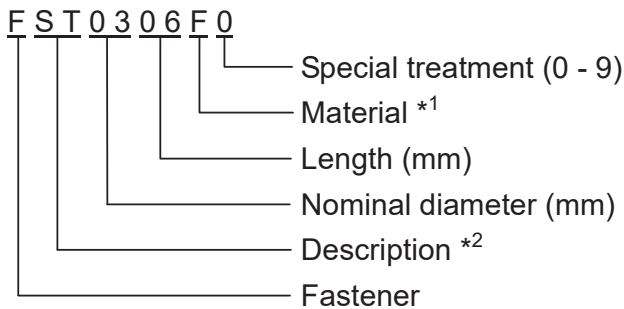
Most assemblies cannot be ordered as complete units; parts in the assemblies generally must be ordered separately.

MARKS LOCATED UNDER THE AUXILIARY CODE

- = Part deleted.
- x = Part deleted and replaced by "o" part.
- o = New part in place of "x" part.

FASTENER PART NUMBER

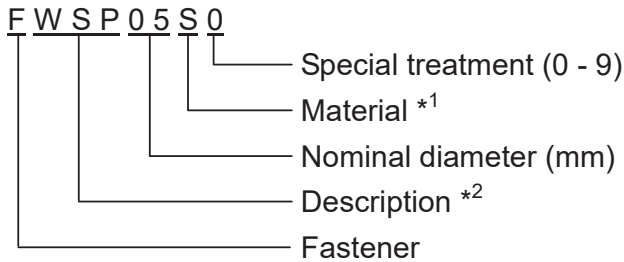
SCREWS



*1 Material

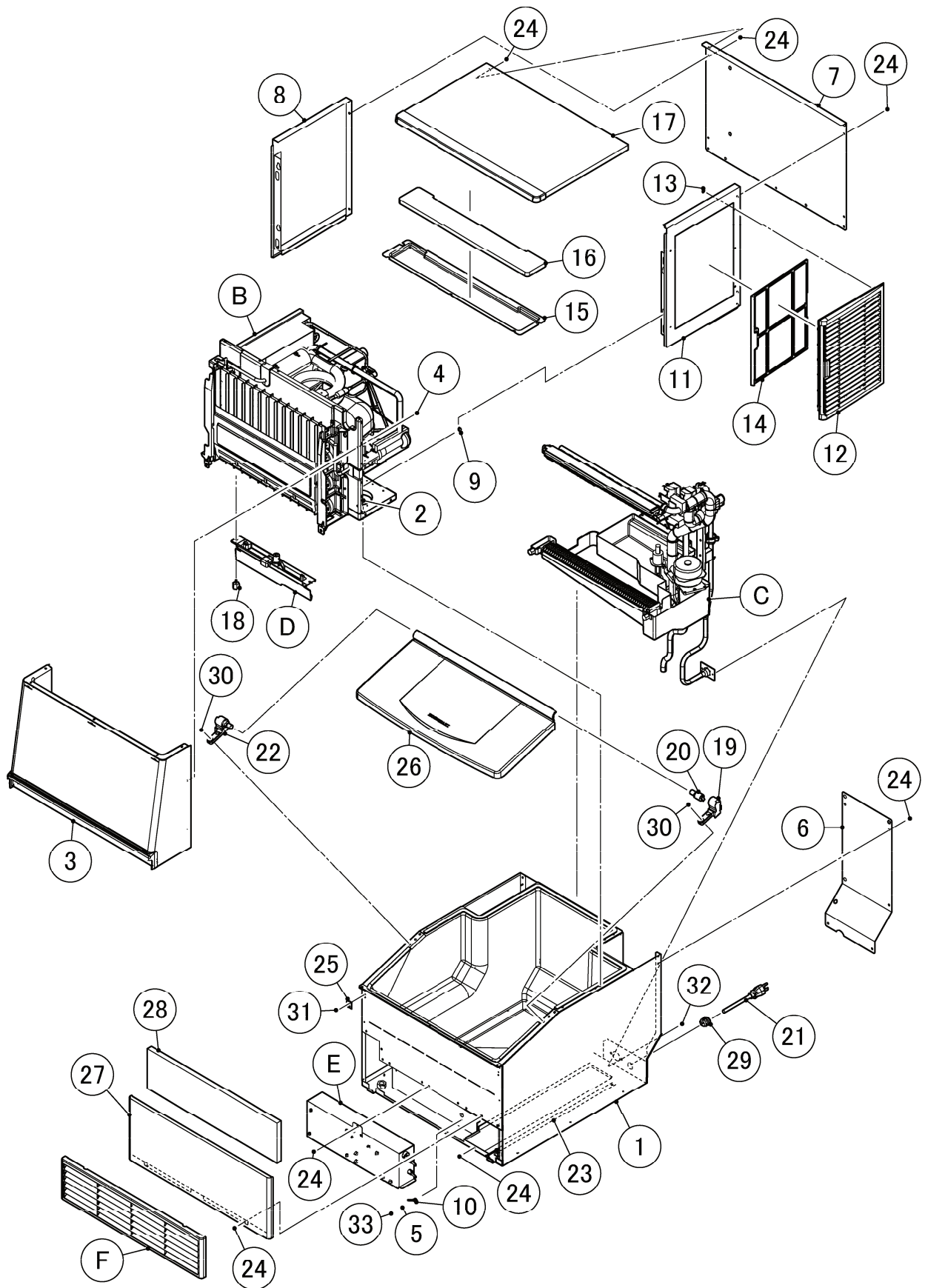
- F: Steel
- S: Austenitic stainless steel
- M: Martensitic stainless steel
- B: Copper alloy
- P: Polycarbonate
- N: Polyamide
- V: PVC
- A: ABS
- X: Polyacetal
- L: Aluminum

NUTS & WASHERS



*2 Description

- First letter
- S: Machine screw
- T: Tapping screw
- M: Wood screw
- B: Bolt
- W: Washer
- N: Nut

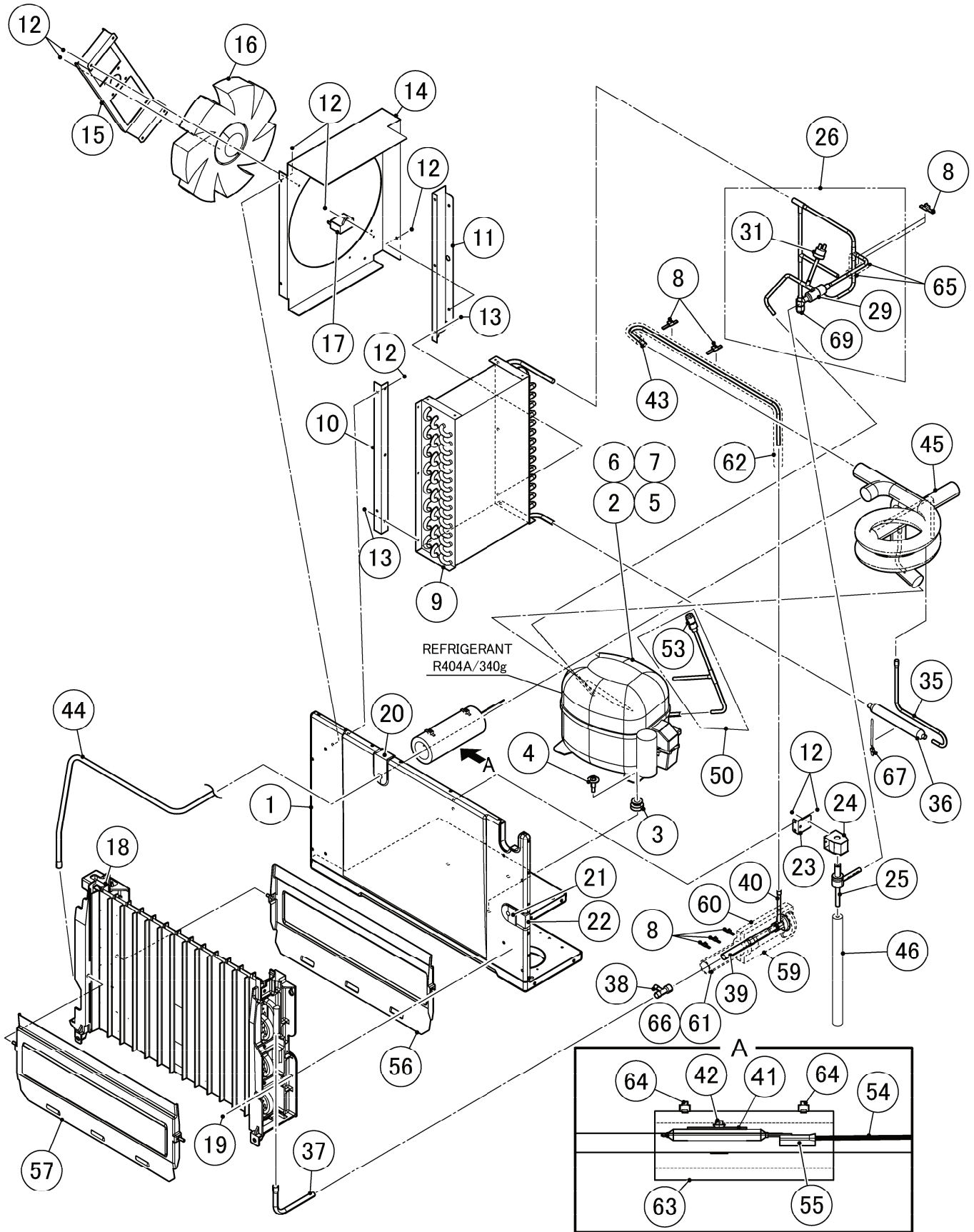


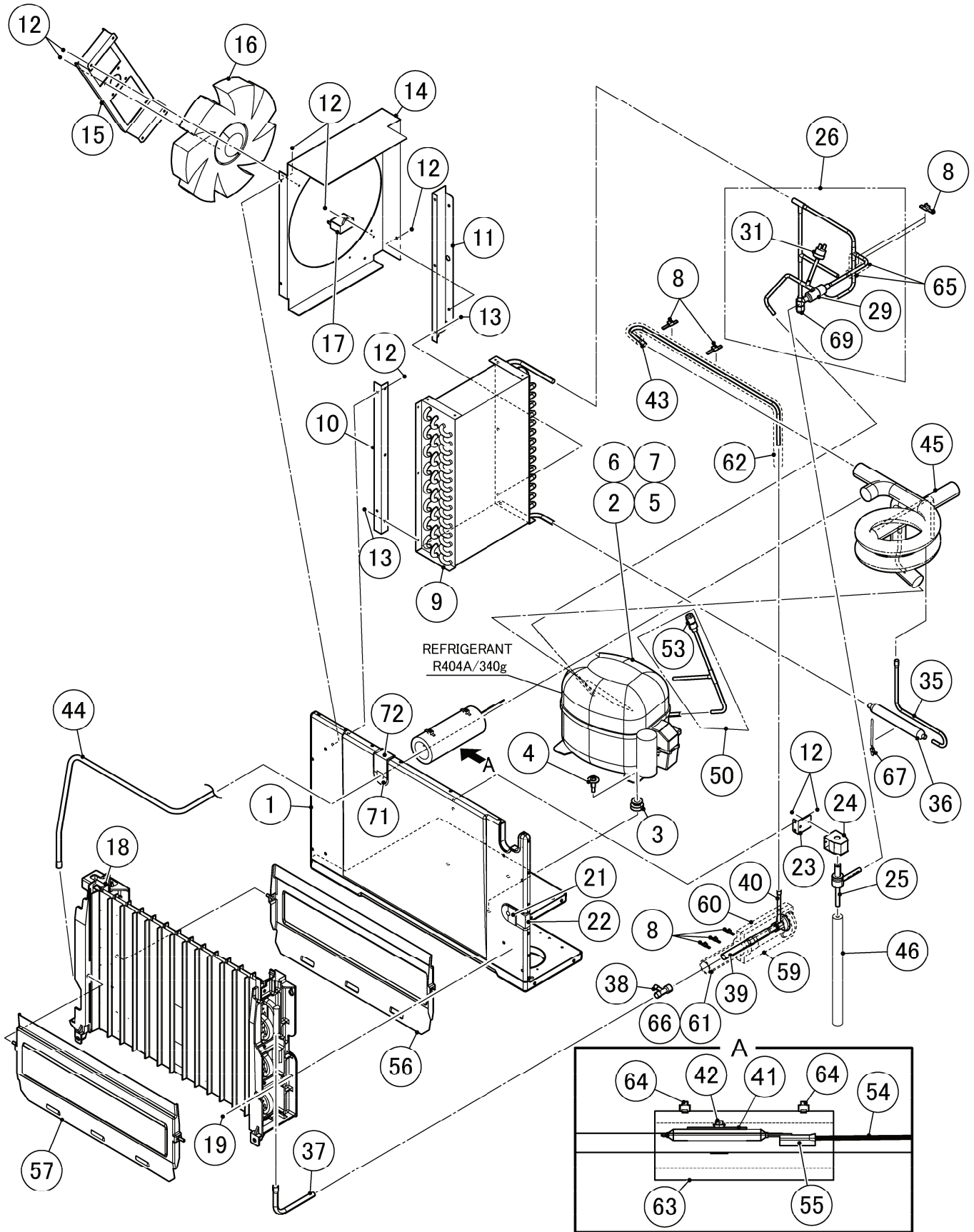
HA

MODEL: KM-201BAH		TITLE: A. ICE CUBER ASSY					
INDEX NO.	DESCRIPTION	MATERIAL OR MODEL NUMBER	PART NUMBER	REQ'D NUMBER			
				T-1 U-0	U-1 V-0	V-1	V-2
B	REFRIGERATION CIRCUIT		119149A01	1	1	1	1
C	WATER CIRCUIT		119152A01	1	1	-	-
			120502A01			1	1
D	MECHANICAL BIN SWITCH		370982A01	1	1	1	1
E	CONTROL BOX ASSY		371208A02	1	1	1	1
F	LOUVER ASSY - 24		371425A01	1	1	1	1
G	LABEL LOCATION		256080A02	1	1	1	1
H	ACCESSORIES		A01679-01	1	1	1	1
1	BIN ASSY - 24		118999G02	1	1	1	1
2	TRUSS HEAD SCREW	SUS 4x30	FST0430S0	3	4	4	4
3	FRONT COVER - 24		255322G02	1	1	1	1
4	TRUSS HEAD SCREW	SUS 4x20	FST0420S0	4	4	4	4
5	SPRING WASHER		FWSP04S0	1	1	1	1
6	REAR COVER		371199M01	1	1	1	1
7	REAR PANEL (UP) - 24		371248M01	1	1	1	1
8	SIDE PANEL (L,UP)		371013G02	1	1	1	1
9	TAPER COLLAR		4H0171-01	4	4	4	4
10	WIRE HARNESS		255562Z01	1	1	1	1
11	SIDE PANEL (R,UP)		371015G02	1	1	1	1
12	LOUVER B		121370P01	1	1	1	1
13	PUSH RETAINER	94807A024	4A2414-01	3	3	3	3
14	AIR FILTER B		121372G01	1	1	1	1
15	TOP COVER - 24		255268P01	1	1	1	1
16	INSULATION - TOP (24)		472571P01	1	1	1	1
17	TOP PANEL - 24		371178G02	1	1	1	1
18	THUMBSCREW		415949G12	2	2	2	2
19	HINGE MOUNT (R)		370969P01	1	1	1	1
20	HINGE	FYN-P1-R103	P01080-01	1	1	1	1

HA

MODEL: KM-201BAH		TITLE: A. ICE CUBER ASSY					
INDEX NO.	DESCRIPTION	MATERIAL OR MODEL NUMBER	PART NUMBER	REQ'D NUMBER			
				T-1 U-0	U-1 V-0	V-1	V-2
21	POWER SUPPLY CORD		P00004-01	1	1	1	1
22	HINGE MOUNT (L)		370970P01	1	1	1	1
23	WIRE COVER		371197M01	1	-	-	-
			372564M01		1	1	1
24	TRUSS HEAD SCREW	4x8	FST0408F0	24	24	24	24
25	CLAMP		472587M01	2	2	2	2
26	DOOR ASSY - 24		371214G01	1	1	1	1
27	FRONT PANEL (LO)		255033M03	1	1	1	1
28	INSULATION (F) - 24		472743P01	1	1	1	1
29	BUSHING	SR-7K-2	420472-02	1	1	1	1
30	PAN HEAD SCREW (S)	SUS 5x16 KP-707Y, RVV 3x1.0	FSS0516S0	4	4	4	4
31	TRUSS HEAD TAPPING SCREW (TYPE B)	4x8	FT20408F0	2	2	2	2
32	T2 SCREW	SUS 4x12	FT20412M0	2	2	2	2
33	TRUSS HEAD SCREW	4x8	FST0408S0	1	1	1	1





HA

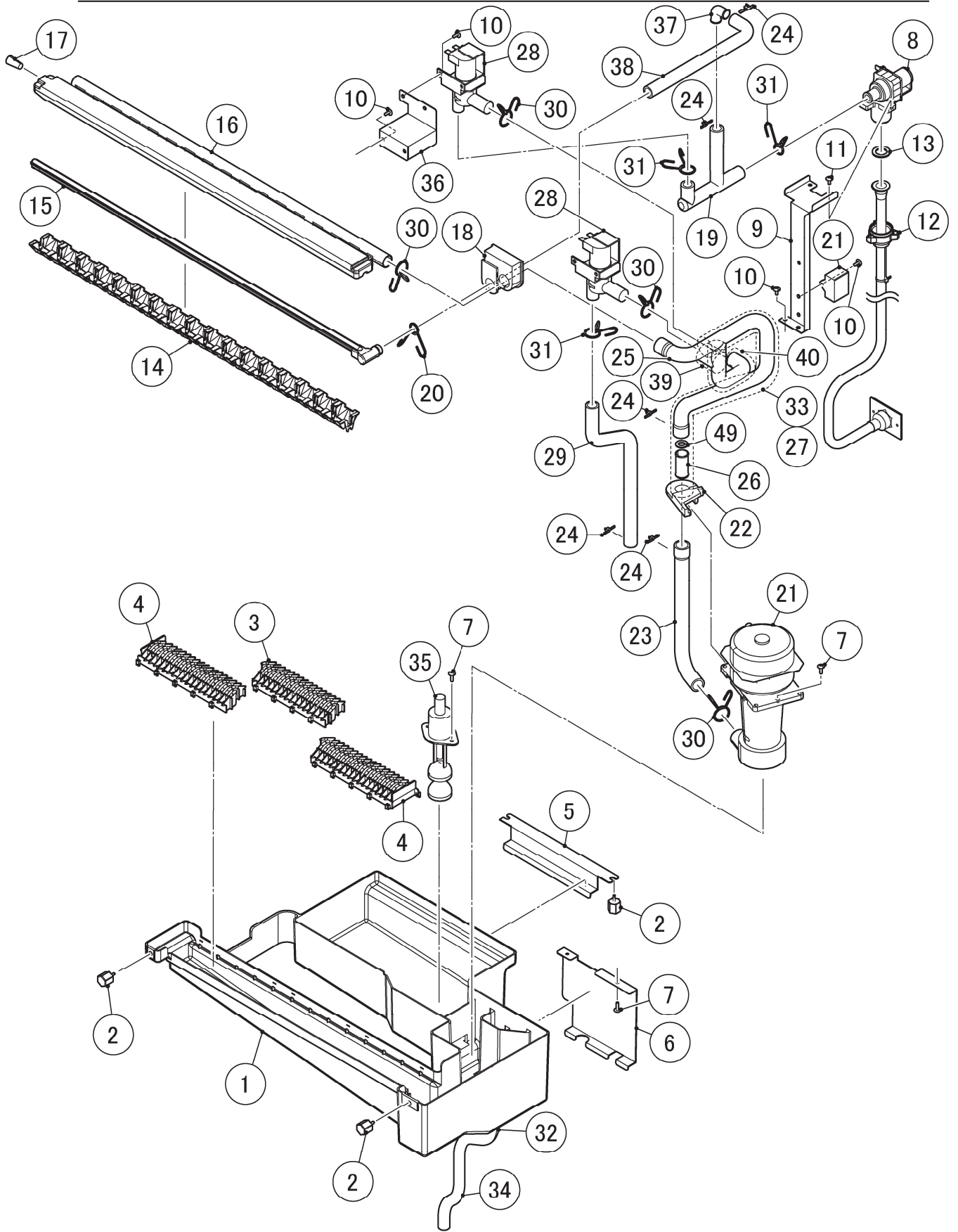
MODEL: KM-201BAH		TITLE: B. REFRIGERATION CIRCUIT					
INDEX NO.	DESCRIPTION	MATERIAL OR MODEL NUMBER	PART NUMBER	REQ'D NUMBER			
				T-1 U-0	U-1 V-0	V-1	V-2
1	BASE ASSY 24		372010G01	1	1	-	-
			374019G01	-	-	1	1
2	COMPRESSOR	NF7CLX 115V 60Hz	P01130-01	1	1	1	1
3	RUBBER GROMMET		4A1452-01	4	4	4	4
4	BOLT		468180-01	4	4	4	4
5	STARTER		4A4232-01	1	1	1	1
6	COVER		4A2141-01	1	1	1	1
7	STARTING CAPACITOR		4A2134-04	1	1	1	1
8	TIE	CV-150	7920-0003	7	7	7	7
9	CONDENSER		P00823-01	1	1	1	1
10	BRACKET (A) - CONDENSER		472458M01	1	1	1	1
11	BRACKET (B) - CONDENSER		472463M01	1	1	1	1
12	TRUSS HEAD SCREW	4X8	FST0408F0	20	20	20	20
13	T2 SCREW	4X8	FT20408M0	6	6	6	6
14	SHROUD - 24		255353M01	1	1	1	1
15	BRACKET - FAN MOTOR		371200M01	1	1	1	1
16	FAN MOTOR	A4E250-AH36-70	P01054-01	1	1	1	1
17	CAPACITOR		443158-02	1	1	1	1
18	EVAPORATOR ASSY		371399G01	1	1	-	-
			374022G01	-	-	1	1
19	TRUSS HEAD SCREW	SUS 4X12	FST0412S0	4	4	4	4
20	GROMMET (A)		472435R01	1	1	-	-
21	GROMMET (C1)		472437R01	1	1	1	1
22	GROMMET (C2)		472560R01	1	1	1	1
23	BRACKET - HOT GAS		472590M01	1	1	1	1
24	COIL - VALVE	AMS-C12HDU-3	4A3277-01	1	1	1	1
25	VALVE BODY	ATS-B7SHDU-2	4A3978-01	1	1	1	1
26	COPPER TUBE (A) - H		371578G01	1	1	1	1
29	STRAINER	COPPER TUBE (A) - H 371578G01	P00812-01	1	1	1	1

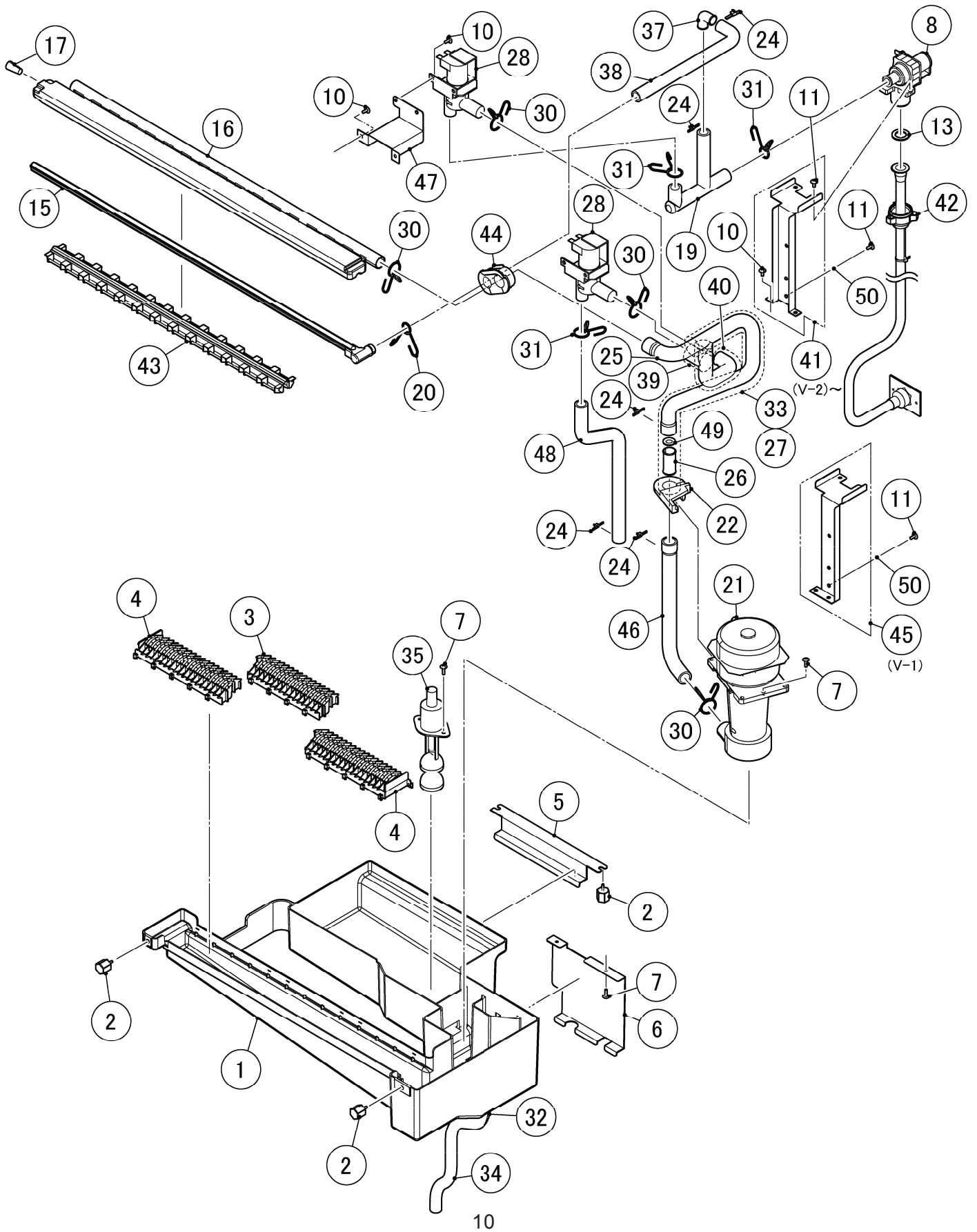
HA

MODEL: KM-201BAH		TITLE: B. REFRIGERATION CIRCUIT					
INDEX NO.	DESCRIPTION	MATERIAL OR MODEL NUMBER	PART NUMBER	REQ'D NUMBER			
				T-1 U-0	U-1 V-0	V-1	V-2
31	PRESSURE SWITCH	COPPER TUBE (A) - H 371578G01 ACB-1UB44	463180-04	1	1	1	1
35	COPPER TUBE (B) - H		472795M01	1	1	1	1
36	DRIER		P00026-01	1	1	1	1
37	COPPER TUBE (B) - L		472597M01	1	1	-	-
			474848M01	-	-	1	1
38	TEE	111R-642	436000-08	1	1	1	1
39	COPPER TUBE (A) - L		472596M01	1	1	1	1
40	EXP. VALVE		P01129-01	1	1	1	1
41	HOLDER - EXPV		451267-01	1	1	1	1
42	CLAMP		443461-01	1	1	1	1
43	COPPER TUBE (C) - H		371398M01	1	1	1	1
44	COPPER TUBE (C) - L		371397M01	1	1	-	-
			374258M01	-	-	1	1
45	HEAT EXCHANGER		255645G01	1	1	1	1
46	COPPER TUBE (A) - HOT GAS		371579G01	1	1	1	1
50	COPPER TUBE - ACCESS VALVE		472801G01	1	1	1	1
53	ACCESS VALVE	COPPER TUBE - ACCESS VALVE 472801G01 TCJ-2F20NHDU-1	457729-01	1	1	1	1
54	THERMISTOR		P00027-01	1	1	1	1
55	HOLDER - THERMISTOR		436455-01	1	1	1	1
56	SEPARATOR		370971G01	1	1	1	1
57	SEPARATOR		370971G02	1	1	1	1
59	COVER (A) - EXP. VALVE		324313-01	1	1	1	1
60	COVER (B) - EXP. VALVE		324313-02	1	1	1	1
61	INSULATION TUBE	7762-1323 L=140	H71323140	1	1	1	1
62	INSULATION TUBE	7762-0717 L=600	H70717600	1	1	1	1
63	INSULATION TUBE	7762-3858 L=150	H73858150	1	1	1	1
64	TIE	CV-200	7920-0010	2	2	2	2
65	INSULATION TUBE	7762-1020 L=50	H71020050	2	4	4	4
66	INSULATION TUBE	7762-2030 L=100	H72030100	1	1	1	1

HA

MODEL: KM-201BAH		TITLE: B. REFRIGERATION CIRCUIT					
INDEX NO.	DESCRIPTION	MATERIAL OR MODEL NUMBER	PART NUMBER	REQ'D NUMBER			
				T-1 U-0	U-1 V-0	V-1	V-2
67	PUSH MOUNT TIE	T30RSF	436156-01	1	1	1	1
69	ACCESS VALVE	COPPER TUBE(A)-H 371578G01	457729-01		1	1	1
70	TIE	CV-150	7920-0003		9	9	9
71	GROMMET(A1)		475110R01			1	1
72	GROMMET(A2)		475111R01			1	1





HA

MODEL: KM-201BAH		TITLE: C. WATER CIRCUIT					
INDEX NO.	DESCRIPTION	MATERIAL OR MODEL NUMBER	PART NUMBER	REQ'D NUMBER			
				T-1 U-0	U-1 V-0	V-1	V-2
1	TANK - 24		118944P01	1	1	1	1
2	THUMBSCREW		415949G12	4	4	4	4
3	CUBE GUIDE (B)		2A3363-01	1	1	1	1
4	CUBE GUIDE (A)		2A3362-01	2	2	-	-
			258598P01	-	-	2	2
5	HOOK (B) - TANK		371007M01	1	1	1	1
6	HOOK (D) - TANK		371204M01	1	1	1	1
7	TRUSS HEAD SCREW	SUS 4x12	FST0412S0	6	6	6	6
8	WATER VALVE	2L/min	3U0150-01	1	1	1	1
9	BRACKET (A) - WATER VALVE		372006M01	1	1	-	-
10	TRUSS HEAD SCREW	4x8	FST0408F0	9	9	9	9
11	TRUSS HEAD SCREW	SUS 4x8	FST0408S0	2	2	3	3
12	WATER SUPPLY PIPE		371230G01	1	1	-	-
13	RUBBER GASKET		413854-03	1	1	1	1
14	SPRAY GUIDE		118939P02	1	1	-	-
15	WATER SUPPLY TUBE		250743-03	1	1	1	1
16	SPRAY TUBE - 24		255329P01	1	1	1	1
17	PLUG		4A0176-01	1	1	1	1
18	GROMMET (B)		472436R01	1	1	-	-
19	WATER SUPPLY PIPE (A)		472438R01	1	1	1	1
20	HOSE CLAMP ※Use either of the right	13.5mm SUS	427443-07	1	1	1	1
			P02909-07	1	1	1	1
21	PUMP MOTOR	PV-0511BHZ1	P00468-01	1	1	1	1
22	COVER - PUMP MOTOR		371173R01	1	1	1	1
23	WATER SUPPLY PIPE (E)		472558R01	1	1	-	-
24	TIE	CV-100	7920-0002	5	5	5	5
25	WATER SUPPLY PIPE (F)		255236R01	1	1	1	1
26	SOCKET		472564P01	1	1	1	1
27	TIE	CV-150	7920-0003	15	15	15	15
28	SOLENOID VALVE	FDC-90-02-115	P00018-02	2	2	2	2

HA

MODEL: KM-201BAH		TITLE: C. WATER CIRCUIT					
INDEX NO.	DESCRIPTION	MATERIAL OR MODEL NUMBER	PART NUMBER	REQ'D NUMBER			
				T-1 U-0	U-1 V-0	V-1	V-2
29	DRAIN PIPE		472441R01	1	1	-	-
30	HOSE CLAMP	20mm SUS	427443-06	4	4	4	4
	※Use either of the right		P02909-06	4	4	4	4
31	HOSE CLAMP	18mm SUS	427443-05	3	3	3	3
	※Use either of the right		P02909-05	3	3	3	3
32	SILICONE HOSE	φ14×φ18×L30	H11418030	1	1	1	1
33	INSULATION TUBE	7762-2030 L=510	H72030510	1	1	-	-
			H72030480			1	1
34	DRAIN PIPE (B)		472442P01	1	1	1	1
35	FLOAT SWITCH	OLV-29Z-2P2	P00816-01	1	1	1	1
36	BRACKET(B) - WATER VALVE		472467M01	1	1	1	-
37	ELBOW		470303-01	1	1	1	1
38	WATER SUPPLY PIPE (B)		472439R01	1	1	1	1
39	INSULATION TUBE	7762-2030 L=30	H72030030	1	1	1	1
40	INSULATION TUBE	7762-2030 L=150	H72030150	1	-	-	-
			H72030200		1	1	1
41	BRACKET(A) - WATER VALVE		374254M01			-	1
42	WATER SUPPLY PIPE		373857G01			1	1
43	SPRAY GUIDE		258313P05			1	1
44	GROMMET		474786R01			1	1
45	BRACKET(A) - WATER VALVE		373853M01			1	-
46	WATER SUPPLY PIPE(E)		474711R01			1	1
47	BRACKET(B) - WATER VALVE		475117M01			-	1
48	DRAIN PIPE		472441R02			1	1
49	ORIFICE		4Y4194P01	1	1	1	1
50	SPRING WASHER		FWSP04S0	1	1	1	1

