



# HOSHIZAKI

## Parts List

Stackable Crescent Cuber

Models

KM-2200SWJ3

KM-2200SRJ3

KM-2200SRJZ3



[hoshizakiamerica.com](http://hoshizakiamerica.com)

Number: 71382  
Issued: 5-11-2017  
Revision: 6-24-2025

## CONTENTS

Auxiliary Codes.....	3
Note About Ordering Parts .....	3
A. Main Assembly & Refrigeration Circuit .....	4
KM-2200SWJ3 .....	4
KM-2200SRJ(Z)3 .....	7
B. Water Circuit .....	11
C. Control Box Assembly .....	15
D. Accessories & Labels .....	18

## Auxiliary Codes

### KM-2200SWJ3

G-0 February 2017  
G-1 September 2017  
G-2 November 2017  
H-0 January 2018  
J-0 February 2019  
J-1 April 2019  
K-0 February 2020  
L-0 March 2021  
M-0 January 2022  
N-0 March 2023  
N-1 September 2023  
P-0 January 2024  
P-2 May 2024  
Q-0 March 2025  
Q-1 April 2025  
Q-2 July 2025

### KM-2200SRJ3

G-0 February 2017  
G-1 September 2017  
G-2 November 2017  
H-0 January 2018  
J-0 January 2019  
J-1 April 2019  
K-0 January 2020  
L-0 January 2021

### KM-2200SRJZ3

M-0 January 2022  
N-0 February 2023  
N-1 September 2023  
P-0 January 2024  
P-1 March 2024  
P-2 May 2024  
P-3 July 2024  
P-4 November 2024  
Q-1 April 2025  
Q-2 July 2025

## Auxiliary Code Breakdown

The auxiliary code is the first two characters in the serial number. The first character indicates the year. Years progress or regress in alphabetical order. The series runs from "A" through "V" and the letters "I" and "O" are skipped. The second character indicates significant part changes within a year. Base is "0" and this number advances for each change. In cases where there is a letter in parentheses, this designates the month. This is the last character in the serial number. The series runs from "(A)" through "(M)" and the letter "(I)" is skipped. This designation is only included when identifying a parts change within an auxiliary code.

## Note About Ordering Parts

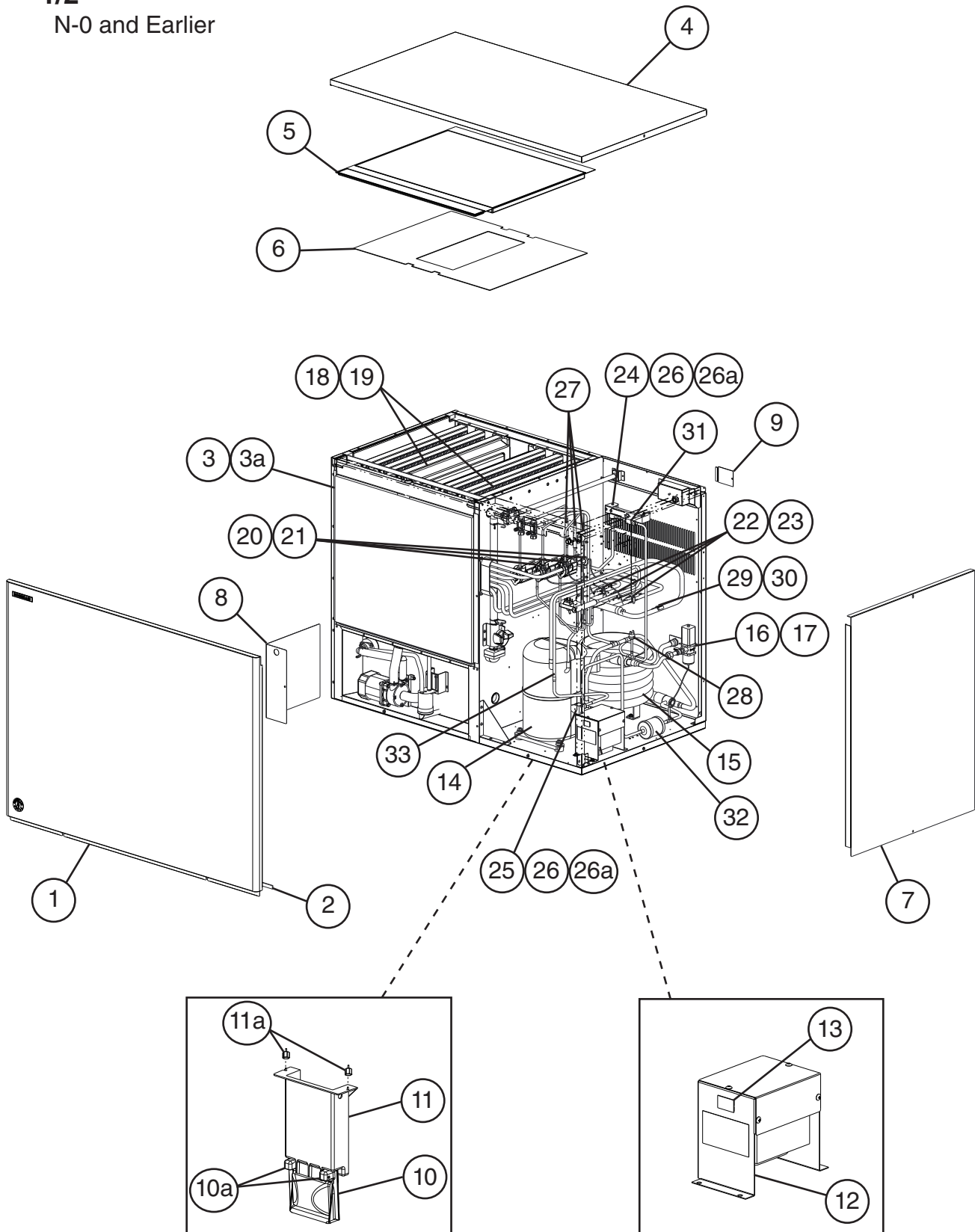
Most assemblies cannot be ordered as complete units; parts in the assemblies generally must be ordered separately.

# A. Main Assembly & Refrigeration Circuit

## KM-2200SWJ3

1/2

N-0 and Earlier



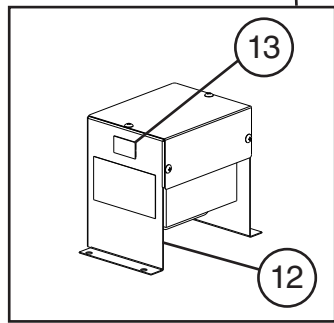
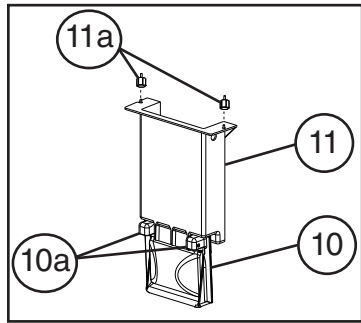
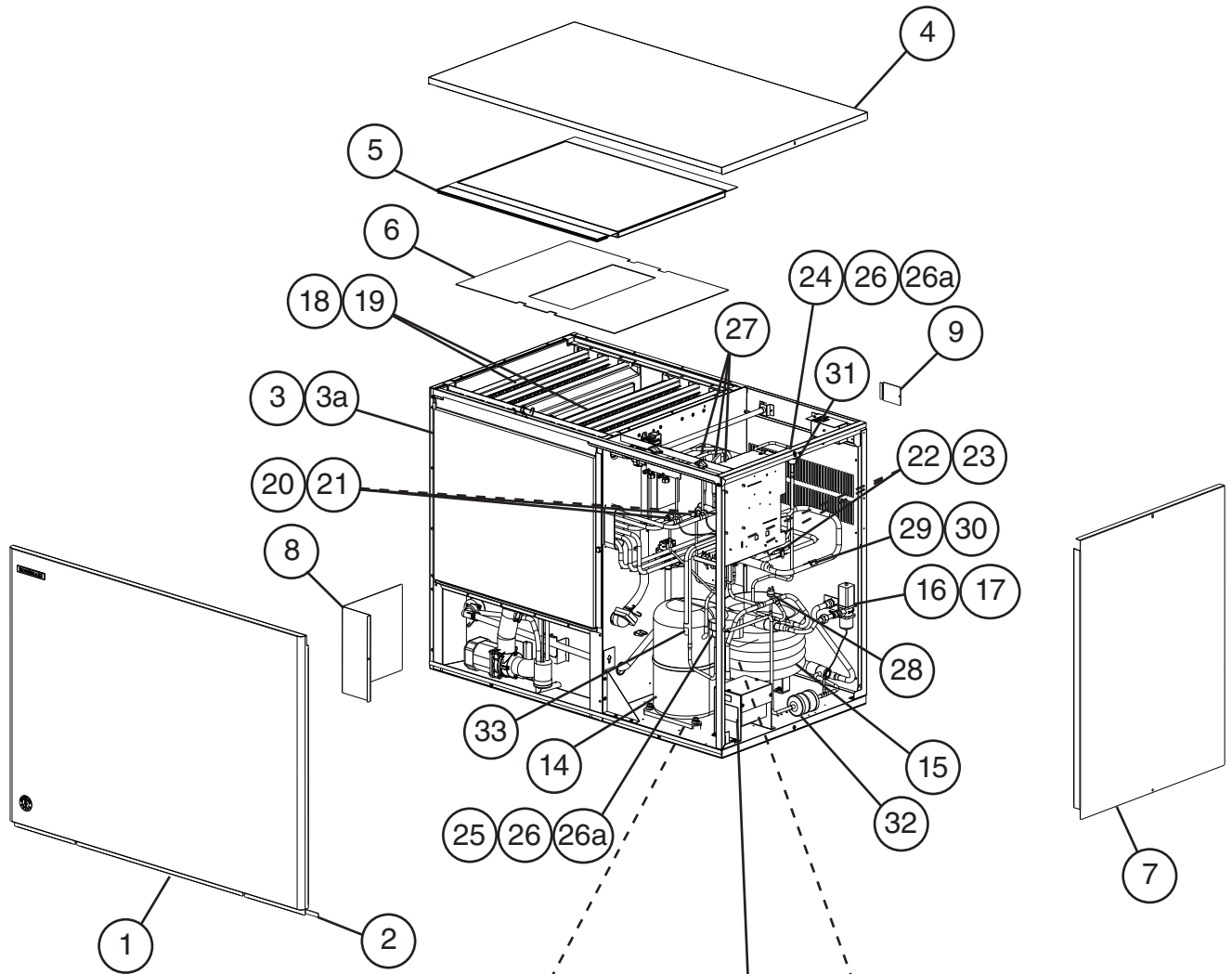
Main Transformer Box Assembly  
KM-2200SWJ3

# A. Main Assembly & Refrigeration Circuit

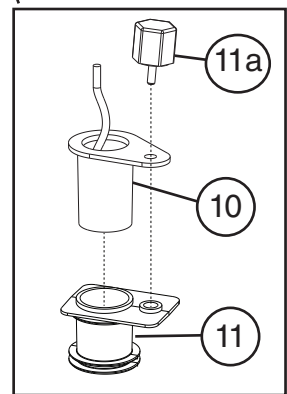
## KM-2200SWJ3

2/2

N-1 to Q-2



Main Transformer Box Assembly  
KM-2200SWJ3



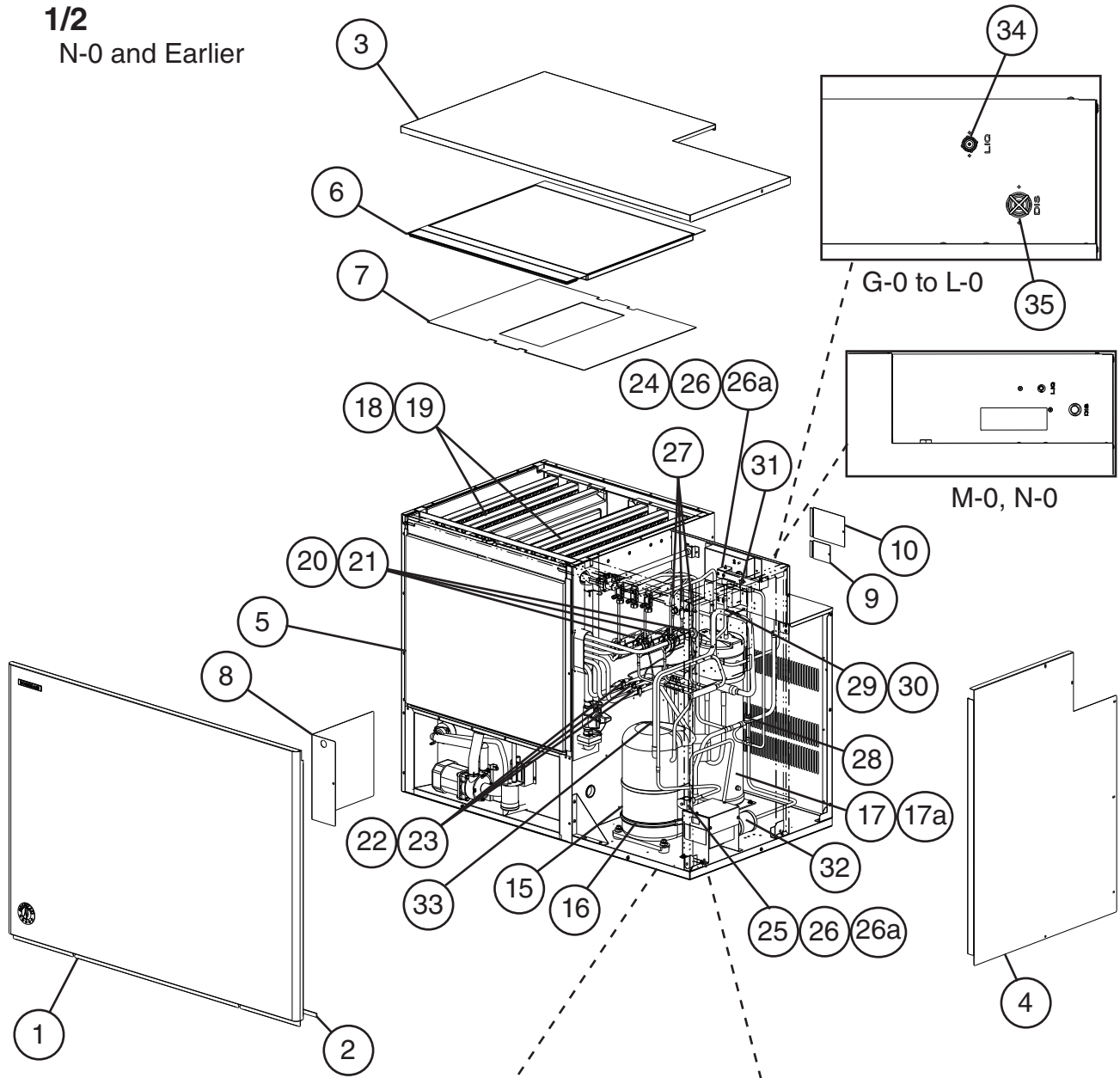
Title: A. Main Assembly & Refrigeration Circuit Model: KM-2200SWJ3												
Index No.	Description	Material or Model Number	Part Number	Required Number								
				G-0 to N-0	N-1 to P-2	Q-0 to Q-1	Q-2					
<b>Main Assembly</b>												
1	Front Panel Assembly	Front Panel Only	3A1838G01	1	-							
			3B2126G01		1	1	1					
2	Gasket	L=1219 mm	4A0808L02	1	1	1	1					
3	Front Insulation		326041G01	1	1	1	1					
3a	Thumbscrew		415949G10	1	1	1	1					
4	Top Panel		2A2255-01	1	1	1	1					
5	Top Insulation		324216G01	1	1	1	1					
6	Spacer		324321-01	1	1	1	1					
7	Right Side Panel		215381G02	1	1	1	1					
8	Control Box Cover		3A2386-03	1	-							
			3B1942-01		1	1	-					
			3B2171-01				1					
9	Junction Box Cover		433410-01	1	1	1	1					
10	Mechanical Bin Control		2A8598G01	1	1	1	-					
	Ultrasonic Bin Control		4A6148G02				1					
10a	Thumbscrew		415949G10	2	2	2	-					
11	Bin Control Mounting Bracket		3A5726-01	1	1	1	-					
	Ultrasonic Sensor Holder		4A7285-01				1					
11a	Thumbscrew		415949G10	2	2	2	-					
							1					
12	Main Transformer		4A5695-01	1	1	1	1					
13	Voltage Tap Switch		4A1477-01	1	1	1	1					
<b>Refrigeration Circuit</b>												
14	Compressor		4A4891-01	1	1	1	1					
15	Water-Cooled Condenser		3A7324-01	1	1	1	1					
16	Water Regulating Valve		4A0911-07	1	1	1	1					
17	Male Connector		4A1087-01	1	1	1	1					
18	Evaporator Bank Assembly (includes 4 of item 19)	SP-5371	2A7635G01	3	3	3	3					
19	Separator Hook		324152-01	8	8	8	8					
20	Thermostatic Expansion Valve		4A4008-02	3	3	3	3					
21	Thermostatic Expansion Valve Cover		3A0944-01	3	3	3	3					
22	Thermostatic Expansion Valve Bulb Holder		3A0107-01	3	3	3	3					
23	Clamp		443461-02	3	3	3	3					
24	Hot Gas Valve Body		4A3978-01	1	1	1	1					
25	Liquid Line Valve Body		4A3276-01	1	1	1	1					
26	Valve Coil		4A3277-01	2	2	2	2					
26a	Bolt		4A3277F01	2	2	2	2					
27	Check Valve		4A1373-01	3	3	3	3					
28	High-Pressure Switch		463180-05	1	1	1	1					
29	Thermistor		429006-03	1	1	1	1					
30	Thermistor Holder		438247-01	1	1	1	1					
31	Strainer		441569-04	1	1	1	1					
32	Drier		4A1338-01	1	1	1	1					
33	Heat Exchanger		1A4467G01	1	1	1	1					

# A. Main Assembly & Refrigeration Circuit

## KM-2200SRJ(Z)3

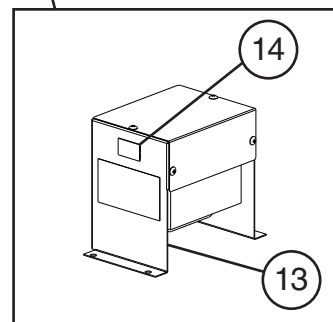
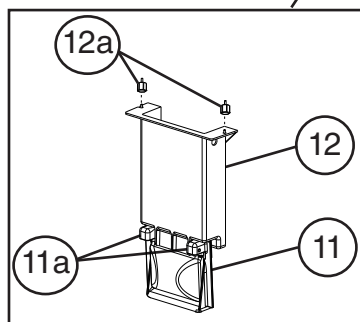
1/2

N-0 and Earlier



G-0 to L-0

M-0, N-0



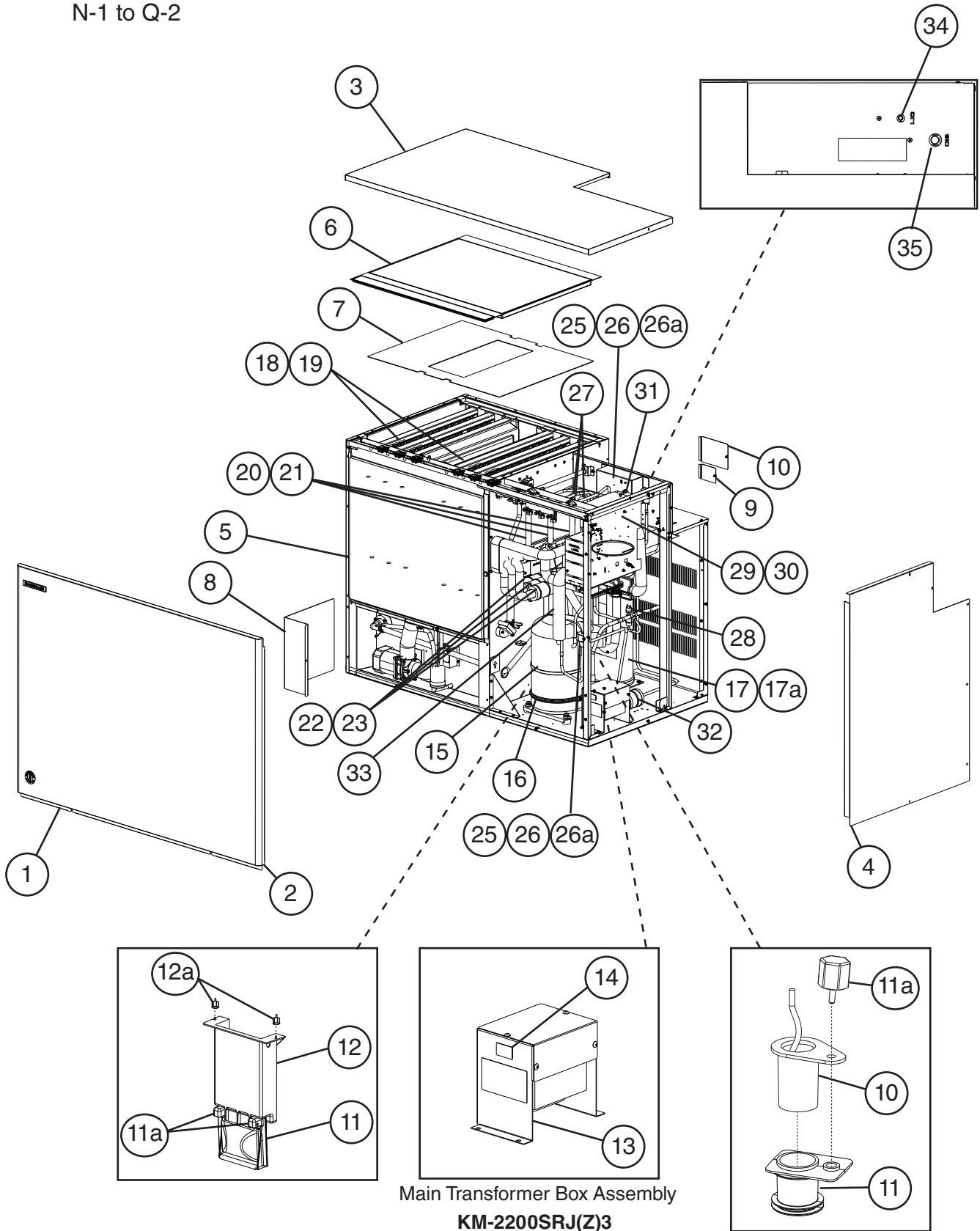
Main Transformer Box Assembly  
KM-2200SRJ(Z)3

# A. Main Assembly & Refrigeration Circuit

## KM-2200SRJ(Z)3

2/2

N-1 to Q-2

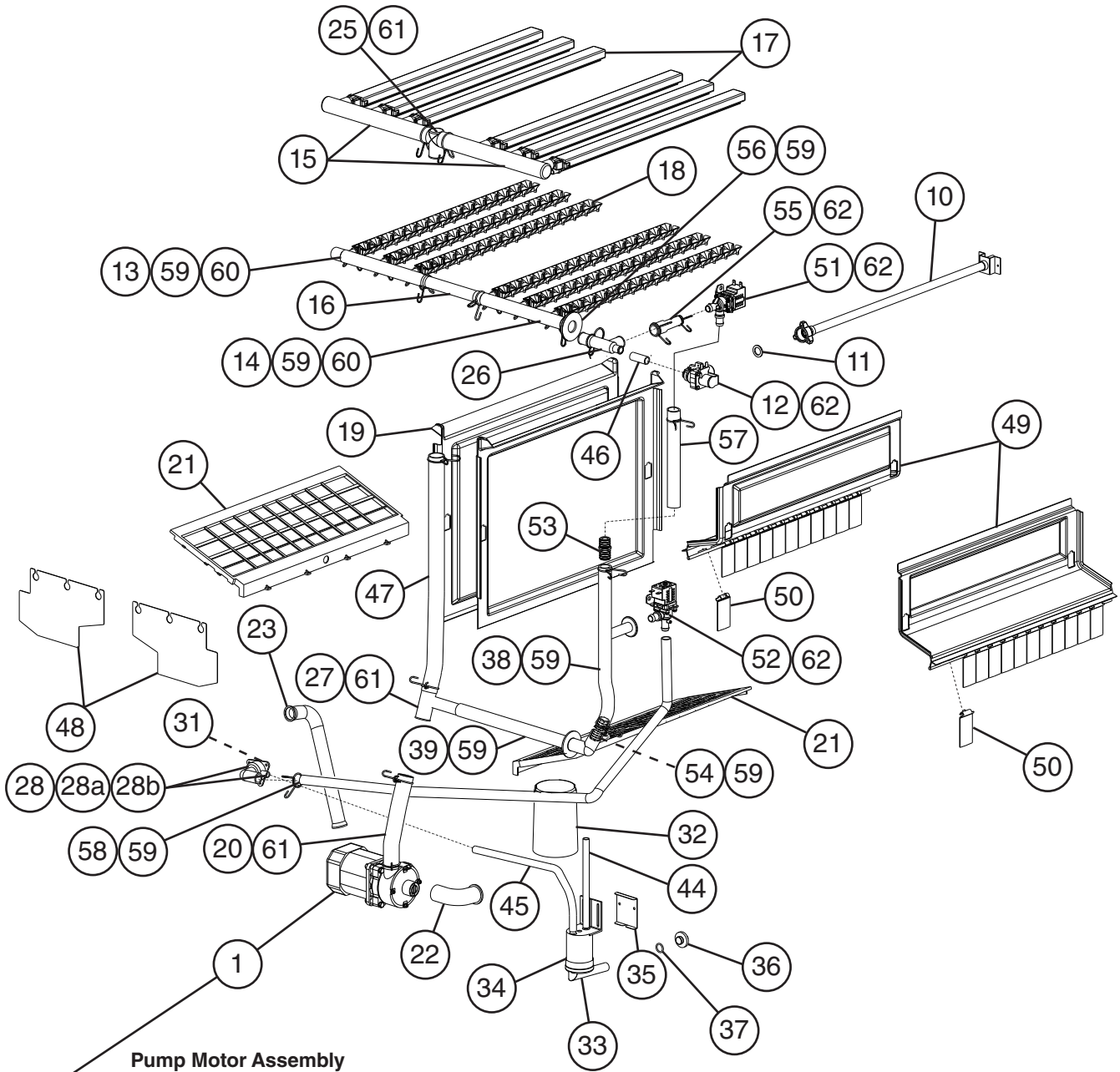


Title: A. Main Assembly & Refrigeration Circuit Model: KM-2200SRJ(Z)3												
Index No.	Description	Material or Model Number	Part Number	Required Number								
				G-0 to L-0	M-0 N-0	N-1 to P-4	Q-1	Q-2				
<b>Main Assembly</b>												
1	Front Panel Assembly	Front Panel Only	3A1838G01	1	1	-						
			3B2126G01			1	1	1				
2	Gasket	L=1219 mm	4A0808L02	1	1	1	1	1				
3	Top Panel		2A8390-01	1	1	1	1	1				
4	Right Side Panel		2A8391-01	1	1	1	1	1				
5	Front Insulation		326041G01	1	1	1	1	1				
6	Top Insulation		324216G01	1	1	1	1	1				
7	Spacer		324321-01	1	1	1	1	1				
8	Control Box Cover		3A2386-01	1	1	-						
			3A2386-03			1	1	-				
			3B2171-01					1				
9	Junction Box Cover A		433410-01	1	1	1	1	1				
10	Junction Box Cover B		4A4704-01	1	1	1	1	1				
11	Mechanical Bin Control		2A8598G01	1	1	1	1	-				
	Ultrasonic Bin Control		4A6148G02					1				
11a	Thumbscrew		415949G10	2	2	2	2	-				
12	Bin Control Mounting Bracket		3A5726-01	1	1	1	1	-				
	Ultrasonic Sensor Holder		4A7285-01					1				
12a	Thumbscrew		415949G10	2	2	2	2	-				
								1				
13	Main Transformer		4A5695-01	1	1	1	1	1				
14	Voltage Tap Switch		4A1477-01	1	1	1	1	1				
<b>Refrigeration Circuit</b>												
15	Compressor		4A4891-01	1	1	1	1	1				
16	Crankcase Heater		4A5397-02	1	1	1	1	1				
17	Receiver		4A6215-01	1	1	1	1	1				
17a	Hex Head Bolt w/ Washer		7B0130510	3	3	3	3	3				
18	Evaporator Bank Assembly (includes 4 of item 19)	SP-5371	2A7635G01	3	3	3	3	3				
19	Separator Hook		324152-01	8	8	8	8	8				
20	Thermostatic Expansion Valve		4A4008-02	3	3	3	3	3				
21	Thermostatic Expansion Valve Cover		3A0944-01	3	3	3	3	3				
22	Thermostatic Expansion Valve Bulb Holder		3A0107-01	3	3	3	3	3				
23	Clamp		443461-02	3	3	3	3	3				
24	Hot Gas Valve Body		4A3978-01	1	1	1	1	1				
25	Liquid Line Valve Body		4A3276-01	1	1	1	1	1				
26	Valve Coil		4A3277-01	2	2	2	2	2				
26a	Bolt		4A3277F01	2	2	2	2	2				
27	Check Valve		4A1373-01	3	3	3	3	3				
28	High-Pressure Switch		463180-04	1	1	1	1	1				
29	Thermistor		429006-03	1	1	1	1	1				
30	Thermistor Holder		438247-01	1	1	1	1	1				
31	Strainer		441569-04	1	1	1	1	1				

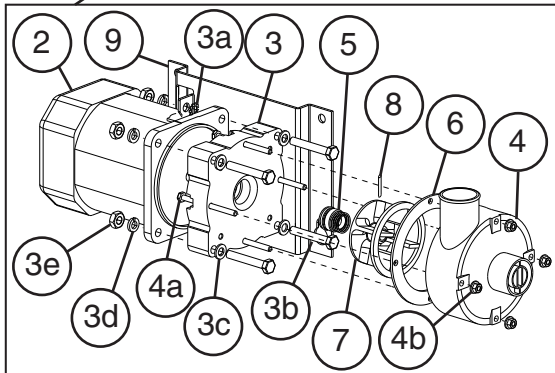
Title: A. Main Assembly & Refrigeration Circuit Model: KM-2200SRJ(Z)3												
Index No.	Description	Material or Model Number	Part Number	Required Number								
				G-0 to L-0	M-0 N-0	N-1 to P-4	Q-1	Q-2				
32	Drier		<a href="#">4A1338-01</a>	1	1	1	1	1				
33	Heat Exchanger		<a href="#">1A4462G01</a>	1	1	1	1	1				
34	Liquid Line Coupling	<b>KM-2200SRJ3</b>	<a href="#">426554-01</a>	1	-							
	Liquid Line Service Valve	<b>KM-2200SRJZ3</b>	<a href="#">4A3491-01</a>		1	1	1	1				
35	Discharge Line Coupling	<b>KM-2200SRJ3</b>	<a href="#">434072-01</a>	1	-							
	Discharge Line Service Valve	<b>KM-2200SRJZ3</b>	<a href="#">4A3490-01</a>		1	1	1	1				



**B. Water Circuit**  
**KM-2200S\_J(Z)3**  
**2/2**  
 N-1 to Q-2



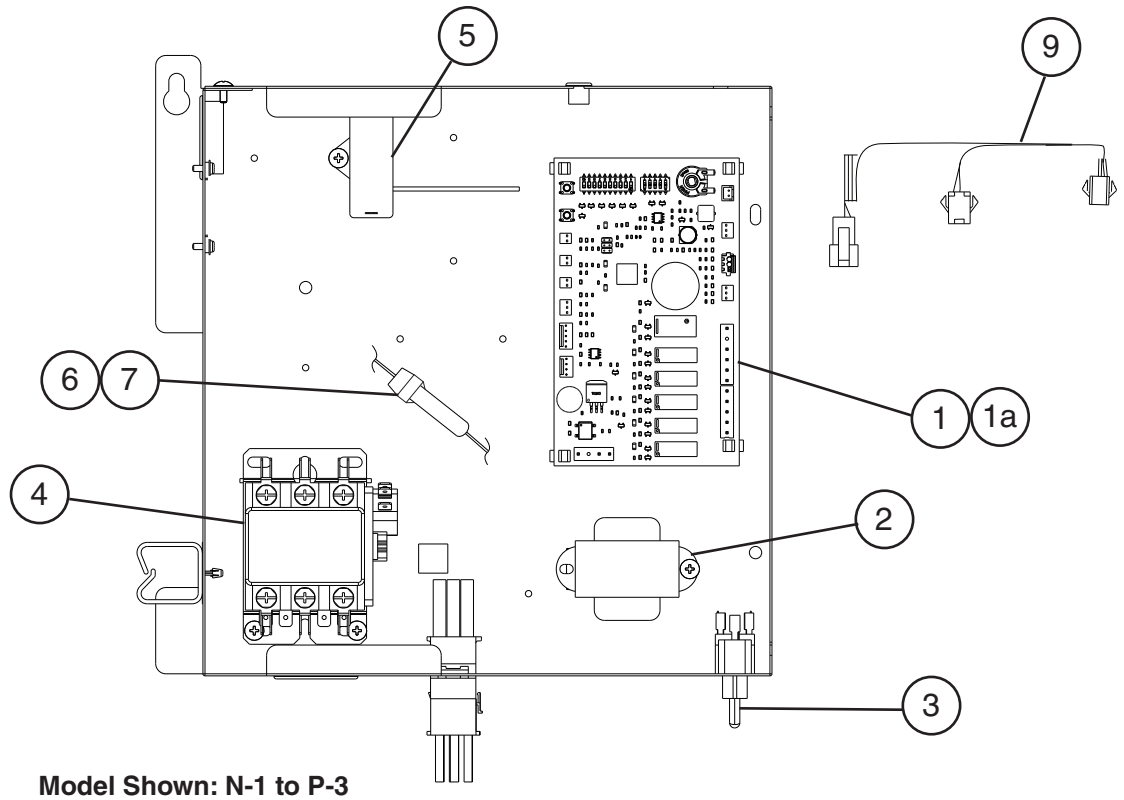
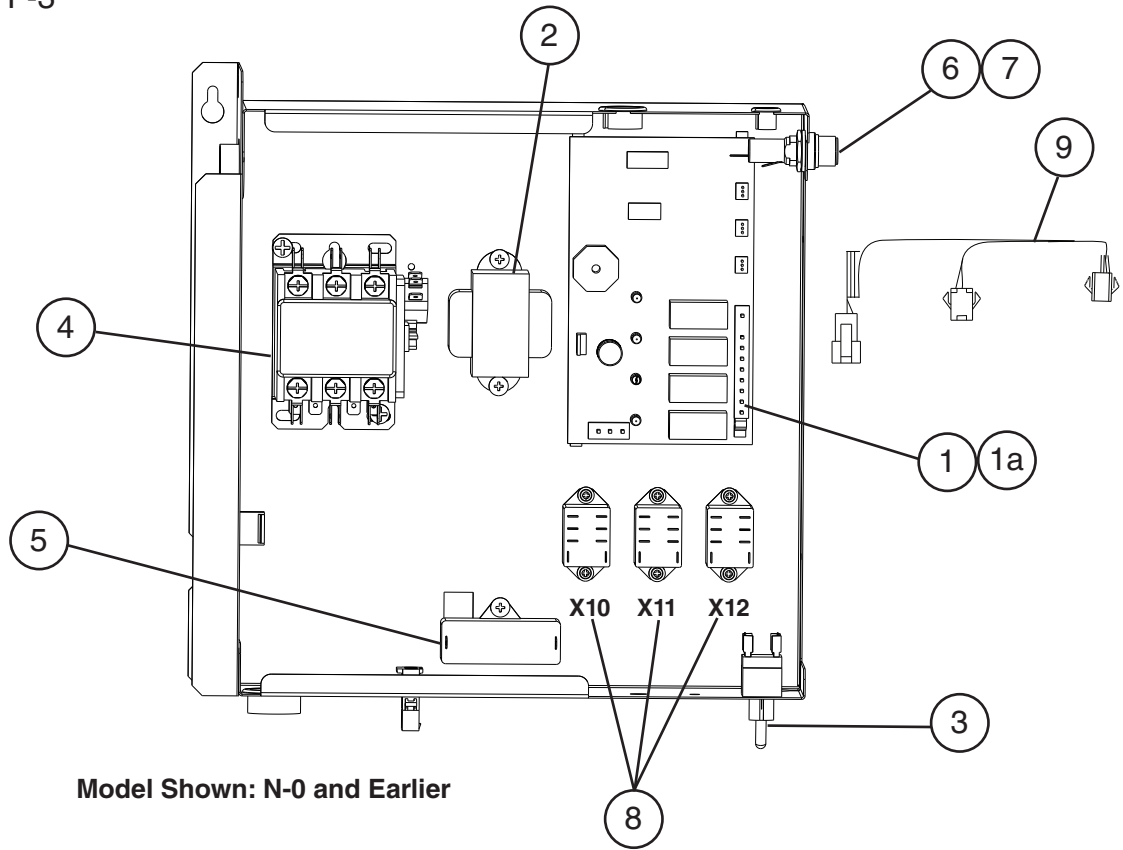
**Pump Motor Assembly**



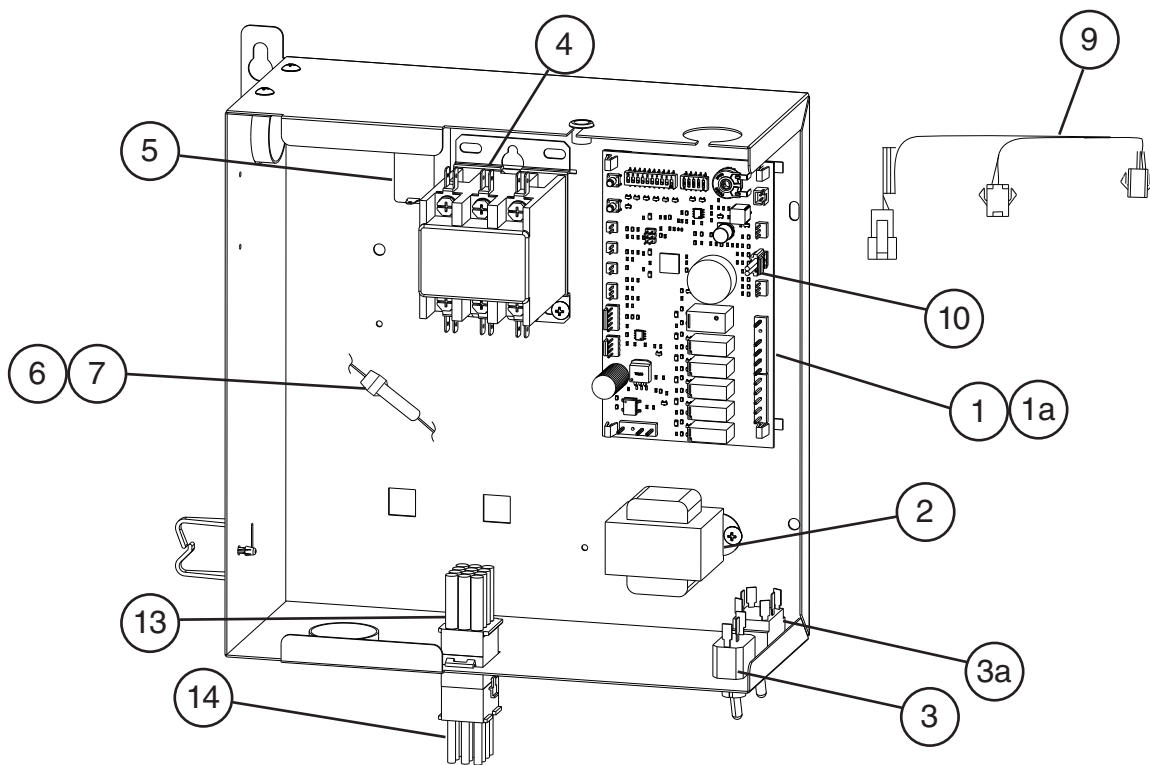
Title: B. Water Circuit Model: KM-2200S_J(Z)3													
Index No.	Description	Material or Model Number	Part Number	Required Number									
				G-0 to N-0	N-1 to P-0	P-1 to P-3 (H)	P-3 (J) P-4	Q-0 to Q-2					
1	Pump Motor Assembly (includes items 2 through 9)	SP-0730	215692A03	1	-								
			2B0567A01		1	1	1	1	1				
2	Pump Motor		4A7462-01	1	1	1	1	1					
3	Pump Flange		215662-01	1	1	1	1	1					
3a	Tooth Washer		7R22-0600	2	2	2	2	2					
3b	Hex Head Bolt	6x40	7B02-0640	4	4	4	4	4					
3c	Flat Washer		7W22-0600	4	4	4	4	4					
3d	Split Lock Washer		7L22-0600	4	4	4	4	4					
3e	Hex Nut		7N12-0600	4	4	4	4	4					
4	Pump Housing		213687-01	1	-								
			4A6641-01		1	1	1	1	1				
4a	Hex Head Bolt	4x55	7B02-0455	4	4	4	4	4					
4b	Hex Flange Nut		7J02-0400	4	4	4	4	4					
5	Mechanical Seal		4A3820-03	1	1	1	1	1					
6	Packing		428547-01	1	1	1	1	1					
7	Impeller		436584-01	1	1	1	1	1					
8	Pin		4A0648-01	1	1	1	1	1					
9	Pump Motor Bracket		323904-01	1	1	1	1	1					
10	Water Supply Pipe	KM-2200SWJ3	4A0768G04	1	1	1	1	1					
		KM-2200SRJ(Z)3	4A0768G11	1	1	1	1	1					
11	Rubber Gasket		413854-03	1	1	1	1	1					
12	Inlet Water Valve		3U0111-01	1	1	-		1					
			3B1433-01			1	1	-					
13	Distributor Hose A		325738-01	1	1	1	1	1					
14	Distributor Hose B		325738-02	1	1	1	1	1					
15	Distributor Hose C		325739-01	2	2	2	2	2					
16	Joint Pipe		439297-01	1	1	1	1	1					
17	Spray Tube		437049G01	6	6	6	6	6					
18	Spray Guide		2A4282-02	6	6	6	6	6					
19	Separator A		215046-01	2	2	2	2	2					
20	Vinyl Hose	L=230 mm	7716B2732	1	1	1	1	1					
21	Cube Guide		214243-01	2	2	2	2	2					
22	Hose A		435091-01	1	1	1	1	1					
23	Hose B		325867-01	1	1	1	1	1					
24	Drain Hose		325869-01	1									
25	Distributor A		439266-01	1	1	1	1	1					
26	Distributor B (Tee)		439239-01	1	1	1	1	1					
27	Distributor C		439238-01	1	1	1	1	1					
28	Drain Housing Assembly (Includes items 27a and 27b)		3B1598G01		1	1	1	1					
28a	Drain Valve Housing		323613-01	1	1	1	1	1					
28b	Joint Pipe		4A6286-01		1	1	1	1					
29	Drain Valve Spring		322110-01	1									
30	Drain Valve Seat		433705-01	1									
31	Drain Valve O-Ring		7611-G035	1	1	1	1	1					
32	Overflow Cap		325866-01	1	1	1	1	1					
33	Float Switch Connector		426799-04	1	1	1	1	1					

Title: B. Water Circuit Model: KM-2200S_J(Z)3													
Index No.	Description	Material or Model Number	Part Number	Required Number									
				G-0 to N-0	N-1 to P-0	P-1 to P-3 (H)	P-3 (J) P-4	Q-0 to Q-2					
34	Float Switch Assembly		4A7077G01	1	1	1	1	1					
35	Float Switch Stop		3A9640-01	1	1	1	1	1					
36	Drain Plug		309246-01	1	1	1	1	1					
37	O-Ring		7611-P015	1	1	1	1	1					
38	Joint Hose		439309-01	1	-								
			2A8823-01		1	1	1	1					
39	Bypass Hose		439237-02	1	1	1	1	1					
40	Control Valve Ball Valve	S-0761	439293-01	1									
41	Control Valve Male Adaptor		325826-01	2									
42	Control Valve Microswitch		4A2546-01	1									
43	Control Valve Handle		215383-01	1									
44	Silicone Hose	L=190 mm	7730I3812	1	1	1	1	1					
45	Silicone Hose	L=430 mm	7730I3896	1	1	1	1	1					
46	Vinyl Hose	L=40 mm	7716B1519	1	1	1	-						
	Silicone Hose		7716B1216				1	1					
47	Vinyl Hose	L=550 mm	7716B2732	1	1	1	1	1					
48	Splash Guard		4A6141-01	2	2	2	2	2					
49	Splash Curtain		1A4890-01	2	2	2	2	2					
50	Separator		3A9811-01	24	24	24	24	24					
51	Cleaning Valve		4A5745-06		1	1	1	1					
52	Drain Valve		4A5745-07		1	1	1	1					
53	Hose Barb		4A7351-01		2	2	1	1					
54	Hose Barb B		2A8823-03				1	1					
55	Vinyl Hose	L= 60 mm	7716B2025	1	1	1	-						
			3B1462-01				1	1					
56	Flange		439267-02		1	1	1	1					
57	Silicone Hose		7716B1216		1	1	1	1					
58	Silicone Hose		7716B1519		1	1	1	1					
<b>Hose Clamps</b>													
59	Hose Clamp	25 mm	427443-03	9	9	9	9	9					
60	Hose Clamp	13.5 mm	427443-07	6	6	6	6	6					
61	Hose Clamp	32 mm	427443-09	6	6	6	6	6					
62	Hose Clamp	17-21 mm	4A2017-05	1	-								
			427443-05		6	6	6	6					

**C. Control Box Assembly**  
**KM-2200S\_J(Z)3**  
 G-0 to P-3



**C. Control Box Assembly**  
**KM-2200S\_J(Z)3**  
P-4 to Q-2



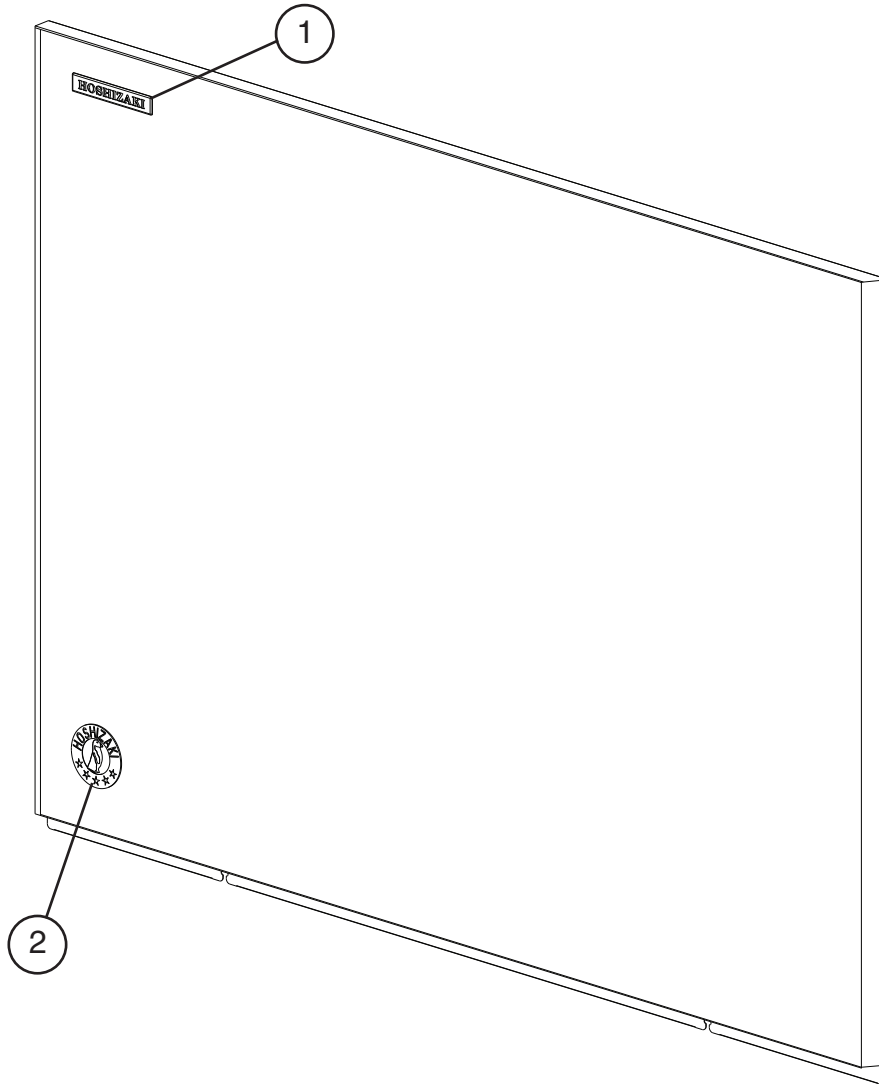
**Title: C. Control Box Assembly Model: KM-2200S\_J(Z)3**

Index No.	Description	Material or Model Number	Part Number	Required Number								
				G-0 to N-0	N-1 to P-3	P-4 to Q-2						
1	Control Board		2A7664-04	1	-							
			2A9678-02		1	1						
1a	Control Board Support		4A0336-03	4	4	4						
2	Control Transformer		3A0172-01	1	1	1						
3	Control Switch		443119-01	1	-							
			4A0985-01		1	1						
3a	Mode Switch		4A6232-01			1						
4	Magnetic Contactor	KM-2200SWJ3	4A0794-02	1	1	1						
		KM-2200SRJ(Z)3	4A0794-01	1	1	1						
5	Pump Motor Capacitor	15MFD, 240VAC	439705-01	1	1	1						
6	Fuse Holder		4A5443-01	1	-							
	In-Line Fuse Holder		4A6950-01		1	1						
7	Fuse	ACG-10A 250VAC	4A0893-07	1	1	1						
8	Relay (X10 = Pump Direction X11 = Control X12 = Slush Control)		406132-07	3	-							
9	Bin Control Wire Harness	KM-2200SRJ3	4A5197G01	1	1	1						
		KM-2200SRJZ3	4A7671G01	1	1	1						
		KM-2200SWJ3										
10	Wire Harness	KM-2200SRJZ3 KM-2200SWJ3	4A7670G01			1						
11	Pump Motor Harness (not shown)	KM-2200SRJ3	3B1815G01			1						
12	Compressor Harness (not shown)		1A4899-02			1						
13	Wire Harness A	KM-2200SRJZ3 KM-2200SWJ3	1A7315-01			1						
14	Wire Harness B		1A7316-01			1						
15	Wire Harness C (not shown)	KM-2200SRJ3 KM-2200SRJZ3	1A5697-01			1						
16	Wire Harness D (not shown)	KM-2200SRJ3	1A5760-01			1						

## D. Accessories & Labels

### KM-2200S\_J(Z)3

G-0 to Q-2



Title: D. Accessories & Labels    Model: KM-2200S_J(Z)3					Required Number								
Index No.	Description	Material or Model Number	Part Number	G-0 to Q-2									
					1	Hoshizaki Emblem		4A0560-01	1				
2	Penguin Label		475552L02	1									
3	Universal Brace		4A0363-01	2									
4	Hex Head Bolt	5x12	7B02-0512	4									