



# HOSHIZAKI

## Parts List

Crescent Cuber

Model  
KM-260BAH



[hoshizakiamerica.com](http://hoshizakiamerica.com)

Number: F015-3163  
Issued: 7-2016

## Auxiliary Codes

<b>KM-260BAH</b>	T-1	November 2009
	U-1	February 2009
	V-1	April 2010
	V-2	August 2010

### Auxiliary Code Breakdown

The auxiliary code is the first two characters in the serial number. The first character indicates the year. Years progress or regress in alphabetical order. The series runs from "A" through "V" and the letters "I" and "O" are skipped. The second character indicates significant part changes within a year. Base is "0" and this number advances for each change. In cases where there is a letter in parentheses, this designates the month. This is the last character in the serial number. The series runs from "(A)" through "(M)" and the letter "(I)" is skipped. This designation is only included when identifying a parts change within an auxiliary code.

### Note About Ordering Parts

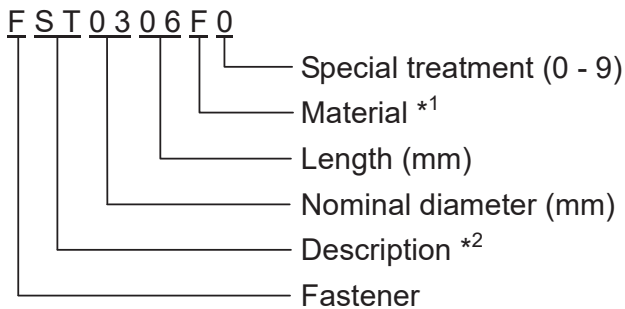
Most assemblies cannot be ordered as complete units; parts in the assemblies generally must be ordered separately.

## MARKS LOCATED UNDER THE AUXILIARY CODE

- = Part deleted.
- x = Part deleted and replaced by "o" part.
- o = New part in place of "x" part.

## FASTENER PART NUMBER

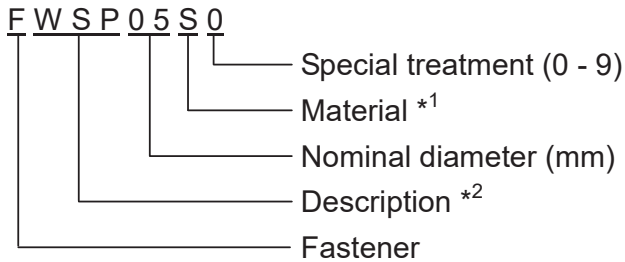
### SCREWS



\*1 Material

- F: Steel
- S: Austenitic stainless steel
- M: Martensitic stainless steel
- B: Copper alloy
- P: Polycarbonate
- N: Polyamide
- V: PVC
- A: ABS
- X: Polyacetal
- L: Aluminum

### NUTS & WASHERS



\*2 Description

- First letter
- S: Machine screw
  - T: Tapping screw
  - M: Wood screw
  - B: Bolt
  - W: Washer
  - N: Nut

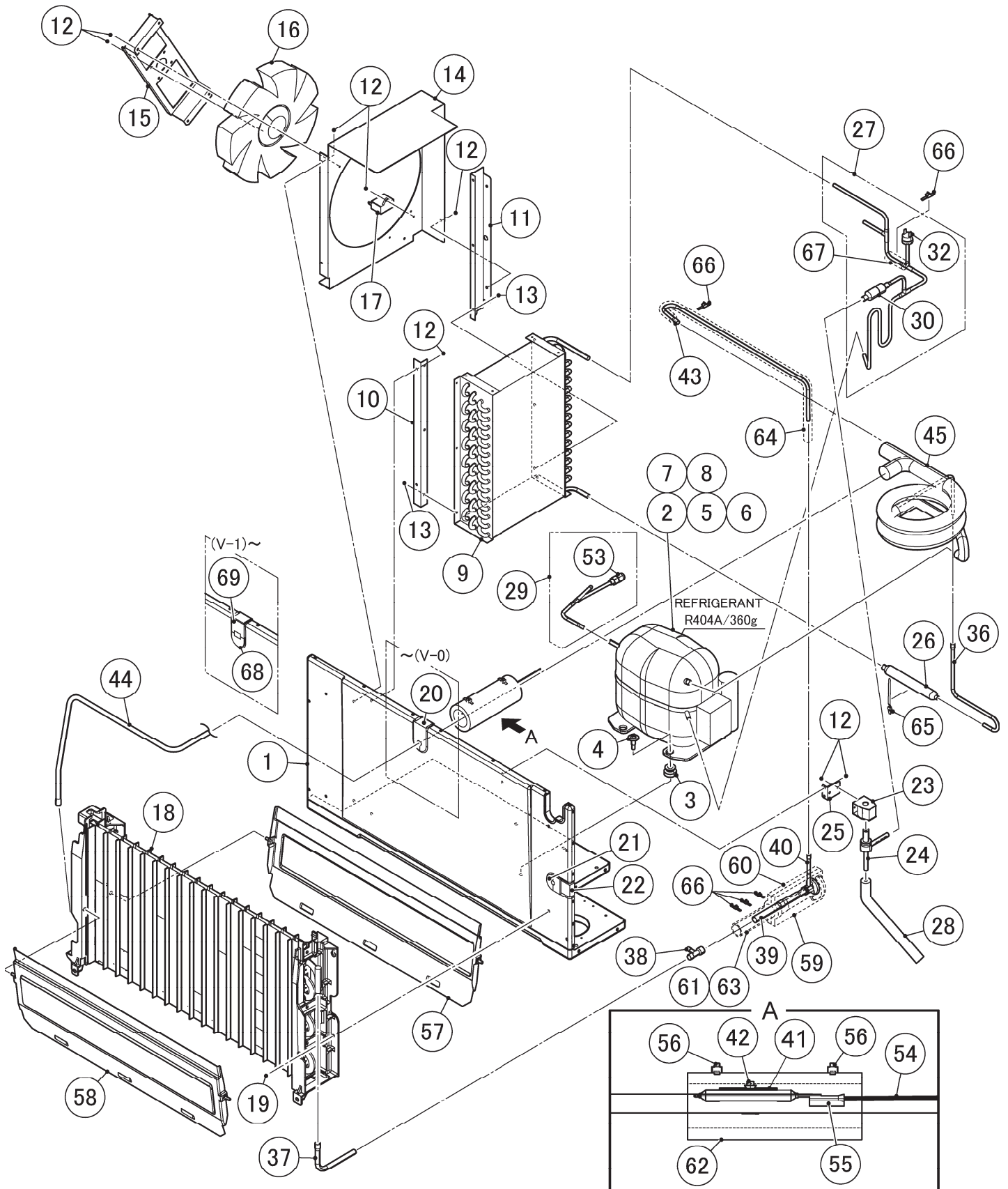


HA

MODEL: <b>KM-260BAH</b>		TITLE: <b>A. ICE CUBER ASSY</b>					
INDEX NO.	DESCRIPTION	MATERIAL OR MODEL NUMBER	PART NUMBER	REQ'D NUMBER			
				T-1 U-0	U-1 V-0	V-1	V-2
B	REFRIGERATION CIRCUIT		119145A01	1	1	1	1
C	WATER CIRCUIT		119146A01	1	1	-	-
			120450A01			1	1
D	MECHANICAL BIN SWITCH - 30		371417A01	1	1	1	1
E	CONTROL BOX ASSY		371208A02	1	1	1	1
F	LABEL LOCATION		256080A01	1	1	1	1
G	LOUVER ASSY - 30		371295A01	1	1	1	1
H	ACCESSORIES		A01679-01	1	1	1	1
1	BIN ASSY - 30		118990G02	1	1	1	1
2	TRUSS HEAD SCREW	SUS 4x30	FST0430S0	4	5	5	5
3	FRONT COVER - 30		254938G02	1	1	1	1
4	TRUSS HEAD SCREW	SUS 4x20	FST0420S0	4	4	4	4
5	T2 SCREW	SUS 4x12	FT20412M0	2	2	2	2
6	REAR COVER		371199M01	1	1	1	1
7	REAR PANEL (UP) - 30		371000M01	1	1	1	1
8	SIDE PANEL (L,UP)		371013G02	1	1	1	1
9	TAPER COLLAR		4H0171-01	4	4	4	4
10	INSULATION (F) - 30		472742P01	1	1	1	1
11	SIDE PANEL (R,UP)		371015G02	1	1	1	1
12	LOUVER B		121370P01	1	1	1	1
13	PUSH RETAINER	94807A024	4A2414-01	3	3	3	3
14	AIR FILTER B		121372G01	1	1	1	1
15	TOP COVER - 30		254953P01	1	1	1	1
16	INSULATION - UP,30		472444P01	1	1	1	1
17	TOP PANEL - 30		371008G02	1	1	1	1
18	THUMBSCREW		415949G12	2	2	2	2
19	HINGE MOUNT (R)		370969P01	1	1	1	1
20	HINGE	FYN-P1-R103	P01080-01	1	1	1	1
21	POWER SUPPLY CORD		P00004-01	1	1	1	1
22	HINGE MOUNT (L)		370970P01	1	1	1	1
23	WIRE COVER		371197M01	1	-	-	-
			372564M01		1	1	1

HA

MODEL: <b>KM-260BAH</b>		TITLE: <b>A. ICE CUBER ASSY</b>					
INDEX NO.	DESCRIPTION	MATERIAL OR MODEL NUMBER	PART NUMBER	REQ'D NUMBER			
				T-1 U-0	U-1 V-0	V-1	V-2
24	TRUSS HEAD SCREW	4x8	<a href="#">FST0408F0</a>	24	24	24	24
25	CLAMP		<a href="#">472587M01</a>	2	2	2	2
26	DOOR ASSY		<a href="#">370980G01</a>	1	1	1	1
27	FRONT PANEL (LO)		<a href="#">255033M04</a>	1	1	1	1
28	SPRING WASHER		FWSP04S0	1	1	1	1
29	BUSHING	SR-7K-2	<a href="#">420472-02</a>	1	1	1	1
30	PAN HEAD SCREW (S)	SUS 5x16	<a href="#">FSS0516S0</a>	4	4	4	4
31	TRUSS HEAD TAPPING SCREW (TYPE B)	4x8	<a href="#">FT20408F0</a>	2	2	2	2
32	WIRE HARNESS		<a href="#">255562Z01</a>	1	1	1	1
33	TRUSS HEAD SCREW	4x8	<a href="#">FST0408S0</a>	1	1	1	1

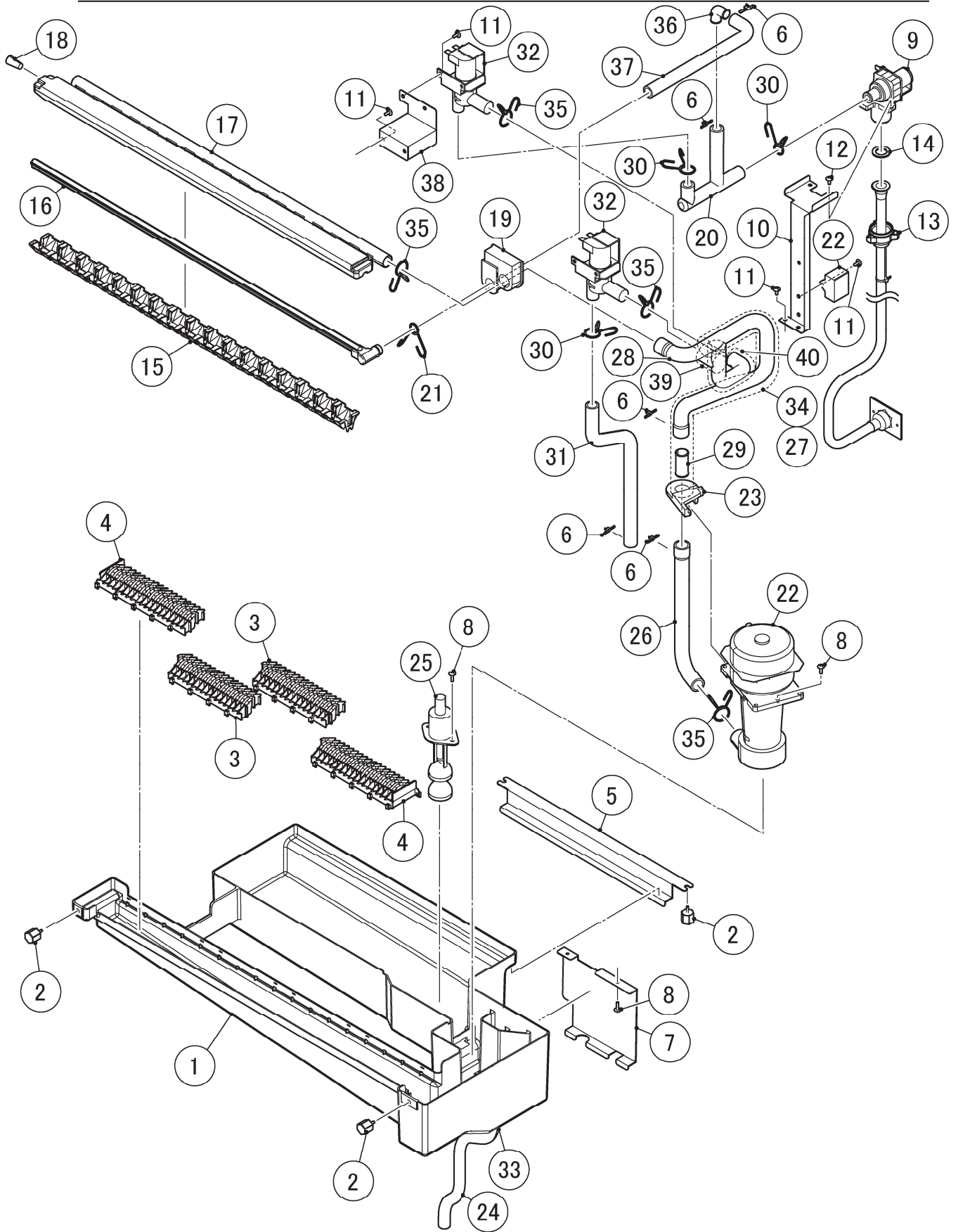


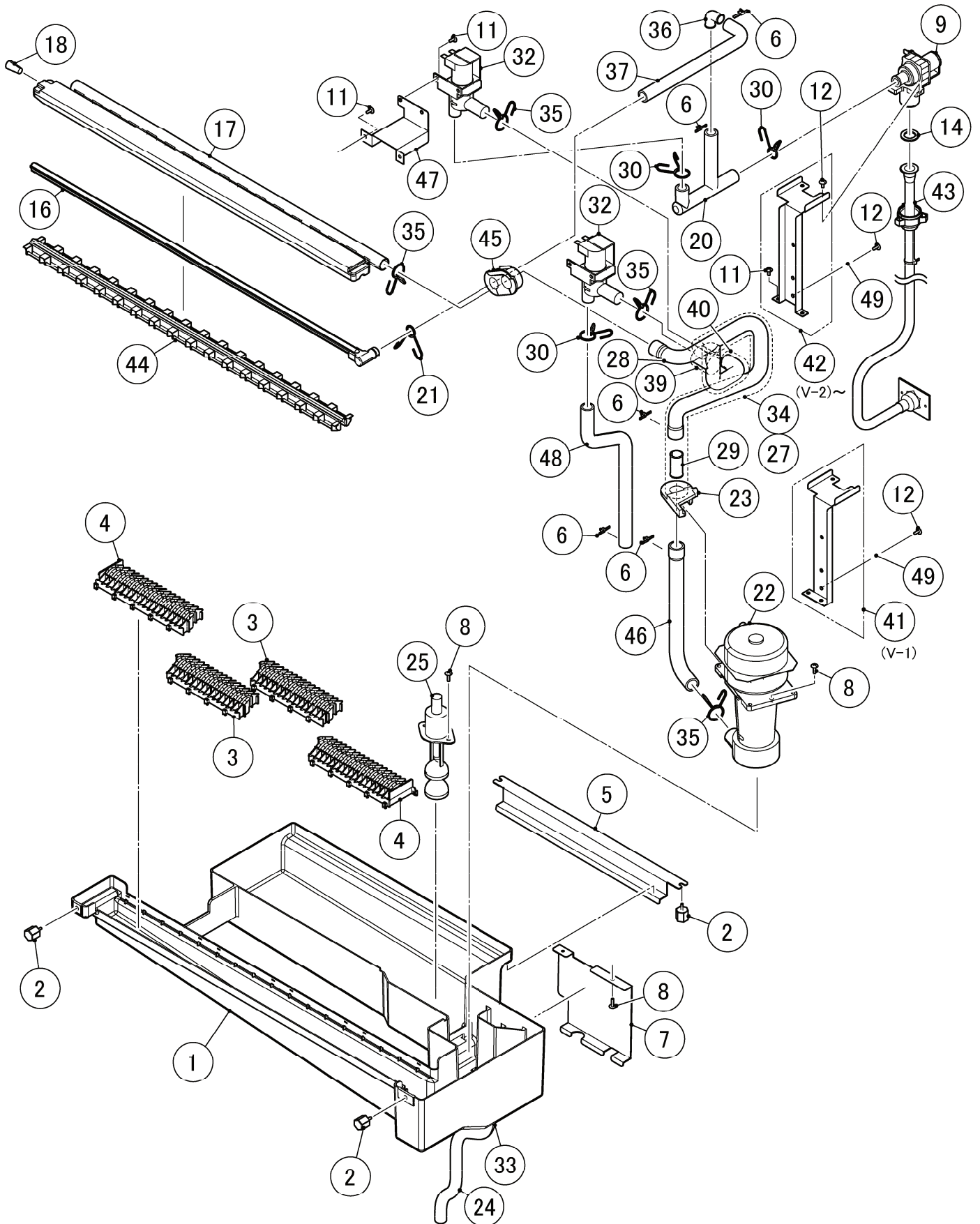
HA

MODEL: <b>KM-260BAH</b>								TITLE: <b>B. REFRIGERATION CIRCUIT</b>							
INDEX NO.	DESCRIPTION	MATERIAL OR MODEL NUMBER	PART NUMBER	REQ'D NUMBER											
				T-1 U-0	U-1 V-0	V-1	V-2								
1	BASE ASSY		371180G01	1	1	-	-								
			373776G01			1	1								
2	COMPRESSOR	SC10CL 115V 60Hz	P01081-01	1	1	1	1								
3	GROMMET		450897-01	4	4	4	4								
4	BOLT		468180-01	4	4	4	4								
5	STARTING RELAY		P01178-01	1	1	1	1								
6	COVER		P01179-01	1	1	1	1								
7	STARTING CAPACITOR		P01180-01	1	1	1	1								
8	CORD RELIEF		452239-01	1	1	1	1								
9	CONDENSER		P00822-01	1	1	1	1								
10	BRACKET (A) - CONDENSER		472458M01	1	1	1	1								
11	BRACKET (B) - CONDENSER		472463M01	1	1	1	1								
12	TRUSS HEAD SCREW	4X8	FST0408F0	21	21	21	21								
13	T2 SCREW	4X8	FT20408M0	6	6	6	6								
14	SHROUD - 30		255381M01	1	1	1	1								
15	BRACKET - FAN MOTOR		371200M01	1	1	1	1								
16	FAN MOTOR	A4E250-AH36-70	P01054-01	1	1	1	1								
17	CAPACITOR		443158-02	1	1	1	1								
18	EVAPORATOR ASSY		371296G01	1	1	-	-								
			373810G01			1	1								
19	TRUSS HEAD SCREW	SUS 4X12	FST0412S0	4	4	4	4								
20	GROMMET (A)		472435R01	1	1	-	-								
21	GROMMET (C1)		472437R01	1	1	1	1								
22	GROMMET (C2)		472560R01	1	1	1	1								
23	COIL - VALVE	AMS-C12HDU-3	4A3277-01	1	1	1	1								
24	VALVE BODY	ATS-B7SHDU-2	4A3978-01	1	1	1	1								
25	BRACKET - HOT GAS		472590M01	1	1	1	1								
26	DRIER		P00026-01	1	1	1	1								
27	COPPER TUBE (A) - H	(includes items: 30, 32)	371212G02	1	1	1	1								
28	COPPER TUBE - HOT GAS		371216G01	1	1	1	1								
29	COPPER TUBE - ACCESS VALVE	(includes item: 53)	472598G02	1	1	1	1								
30	STRAINER	(included in item 27: 371212G02)	P00812-01	1	1	1	1								

HA

MODEL: <b>KM-260BAH</b>		TITLE: <b>B. REFRIGERATION CIRCUIT</b>					
INDEX NO.	DESCRIPTION	MATERIAL OR MODEL NUMBER	PART NUMBER	REQ'D NUMBER			
				T-1 U-0	U-1 V-0	V-1	V-2
32	PRESSURE SWITCH	(included in item 27: 371212G02) ACB-1UB44	463180-04	1	1	1	1
36	COPPER TUBE (B) - H		472595M01	1	1	1	1
37	COPPER TUBE (B) - L		472597M01	1	1	-	-
			474848M01			1	1
38	TEE	111R-642	436000-08	1	1	1	1
39	COPPER TUBE (A) - L		472596M01	1	1	1	1
40	EXP. VALVE	HFE-10NHD-6	P00826-01	1	1	1	1
41	HOLDER - EXPV		451267-01	1	1	1	1
42	CLAMP		443461-01	1	1	1	1
43	COPPER TUBE (C) - H		371213M01	1	1	1	1
44	COPPER TUBE (C) - L		371215M01	1	1	-	-
			374282M01			1	1
45	HEAT EXCHANGER		255315G02	1	1	1	1
53	ACCESS VALVE	(included in item 29: 472598G02) TCJ-2F20NH DU-1	457729-01	1	1	1	1
54	THERMISTOR		P00027-01	1	1	1	1
55	HOLDER - THERMISTOR		436455-01	1	1	1	1
56	TIE	CV-200	7920-0010	2	2	2	2
57	SEPARATOR - 30		370971G03	1	1	1	1
58	SEPARATOR - 30		370971G04	1	1	1	1
59	COVER (A) - EXP. VALVE		324313-01	1	1	1	1
60	COVER (B) - EXP. VALVE		324313-02	1	1	1	1
61	INSULATION TUBE	7762-2030 L=100	H72030100	1	1	1	1
62	INSULATION TUBE	7762-3858 L=150	H73858150	1	1	1	1
63	INSULATION TUBE		H71323140	1	1	1	1
64	INSULATION TUBE		H70717640	1	1	1	1
65	PUSH MOUNT TIE	T30RSF	436156-01	1	1	1	1
66	TIE	CV-150	7920-0003	5	7	7	7
67	INSULATION TUBE	7762-1020 L=50	H71020050	1	2	2	2
68	GROMMET (A1)		475110R01			1	1
69	GROMMET (A2)		475111R01			1	1





HA

MODEL: <b>KM-260BAH</b>								TITLE: <b>C. WATER CIRCUIT</b>							
INDEX NO.	DESCRIPTION	MATERIAL OR MODEL NUMBER	PART NUMBER	REQ'D NUMBER											
				T-1 U-0	U-1 V-0	V-1	V-2								
1	TANK - 30		118840P01	1	1	1	1								
2	THUMBSCREW		415949G12	4	4	4	4								
3	CUBE GUIDE (B)		2A3363-01	2	2	2	2								
4	CUBE GUIDE (A)		2A3362-01	2	2	-	-								
			258598P01			2	2								
5	HOOK (B) - TANK		371193M01	1	1	1	1								
6	TIE	CV-100	7920-0002	5	5	5	5								
7	HOOK (D) - TANK		371204M01	1	1	1	1								
8	TRUSS HEAD SCREW	SUS 4x12	FST0412S0	2	2	2	2								
9	WATER VALVE	2L/min	3U0150-01	1	1	1	1								
10	BRACKET (A) - WATER VALVE		372006M01	1	1	-	-								
11	TRUSS HEAD SCREW	4x8	FST0408F0	9	9	9	9								
12	TRUSS HEAD SCREW	SUS 4x8	FST0408S0	2	2	3	3								
13	WATER SUPPLY PIPE		371230G01	1	1	-	-								
14	RUBBER GASKET		413854-03	1	1	1	1								
15	SPRAY GUIDE		118939P01	1	1	-	-								
16	WATER SUPPLY TUBE - 30		254949P01	1	1	1	1								
17	SPRAY TUBE - 30		254950P01	1	1	1	1								
18	PLUG		4A0176-01	1	1	1	1								
19	GROMMET (B)		472436R01	1	1	-	-								
20	WATER SUPPLY PIPE (A)		472438R01	1	1	1	1								
21	HOSE CLAMP ※Use either of the right	13.5mm SUS	427443-07	1	1	1	1								
			P02909-07	1	1	1	1								
22	PUMP MOTOR	PV-0511AHZ1	P00468-01	1	1	1	1								
23	COVER - PUMP MOTOR		371173R01	1	1	1	1								
24	DRAIN PIPE (B)		472442P01	1	1	1	1								
25	FLOAT SWITCH	OLV-29Z-2P2	P00816-01	1	1	1	1								
26	WATER SUPPLY PIPE (E)		472558R01	1	1	-	-								
27	TIE	CV-150	7920-0003	15	15	15	15								
28	WATER SUPPLY PIPE (F)		255236R01	1	1	1	1								
29	SOCKET		472564P01	1	1	1	1								
30	HOSE CLAMP ※Use either of the right	18mm SUS	427443-05	3	3	3	3								
			P02909-05	3	3	3	3								

HA

MODEL: <b>KM-260BAH</b>		TITLE: <b>C. WATER CIRCUIT</b>					
INDEX NO.	DESCRIPTION	MATERIAL OR MODEL NUMBER	PART NUMBER	REQ'D NUMBER			
				T-1 U-0	U-1 V-0	V-1	V-2
31	DRAIN PIPE		472441R01	1	1	-	-
32	SOLENOID VALVE	FDC-90-02-115	P00018-02	2	2	2	2
33	SILICON HOSE	φ14xφ18xL30	H11418030	1	1	1	1
34	INSULATION TUBE	7762-2030 L=510	H72030510	1	1	-	-
			H72030480			1	1
35	HOSE CLAMP ※Use either of the right	20mm SUS	427443-06	4	4	4	4
			P02909-06	4	4	4	4
36	ELBOW		470303-01	1	1	1	1
37	WATER SUPPLY PIPE (B)		472439R01	1	1	1	1
38	BRACKET (B) - WATER VALVE		472467M01	1	1	1	-
39	INSULATION TUBE	7762-2030 L=30	H72030030	1	1	1	1
40	INSULATION TUBE	7762-2030 L=150	H72030150	1	-	-	-
			H72030200		1	1	1
41	BRACKET (A) - WATER VALVE		373853M01			1	-
42	BRACKET (A) - WATER VALVE		374254M01			-	1
43	WATER SUPPLY PIPE		373857G01			1	1
44	SPRAY GUIDE		258313P07			1	1
45	GROMMET		474786R01			1	1
46	WATER SUPPLY PIPE (E)		474711R01			1	1
47	BRACKET (B) - WATER VALVE		475117M01			-	1
48	DRAIN PIPE		472441R02			1	1
49	SPRING WASHER		FWSP04S0	1	1	1	1

