

Hoshizaki America, Inc.

Modular Crescent Cuber

Models

KM-320MAH

KM-320MWH



“A Superior Degree
of Reliability”

www.hoshizaki.com

PARTS LIST



Number: 71250
Issued: 2-13-2006
Revised: 10-19-2015

CONTENTS

Auxiliary Codes.....	3
Note About Ordering Parts	3
A. Main Assembly & Refrigeration Circuit	4
KM-320MAH.....	4
KM-320MWH.....	6
B. Water Circuit	8
C. Control Box Assembly	11
D. Accessories & Labels	13

Auxiliary Codes

KM-320MAH

Q-0 September 2005
R-1 March 2006
S-1 January 2007
T-0 January 2008
U-0 January 2009
U-1 February 2009
U-2 March 2009
V-0 January 2010
V-1 March 2010
V-2 April 2010
V-3 August 2010
A-0 January 2011
B-0 January 2012
C-0 January 2013
C-1 May 2013
C-2 October 2013
D-0 January 2014
D-1 March 2014
D-2 December 2014
E-0 January 2015

KM-320MWH

Q-0 September 2005
R-1 March 2006
S-1 January 2007
T-0 January 2008
U-0 January 2009
U-1 February 2009
U-2 March 2009
V-1 March 2010
V-2 April 2010
V-3 August 2010
A-0 January 2011
B-0 January 2012
C-0 January 2013
C-2 May 2013
D-0 February 2014
E-0 January 2015

Auxiliary Code Breakdown

The auxiliary code is the first two characters in the serial number. The first character indicates the year. Years progress or regress in alphabetical order. The series runs from "A" through "V" and the letters "I" and "O" are skipped. The second character indicates significant part changes within a year. Base is "0" and this number advances for each change. In cases where there is a letter in parentheses, this designates the month. This is the last character in the serial number. The series runs from "(A)" through "(M)" and the letter "(I)" is skipped. This designation is only included when identifying a parts change within an auxiliary code.

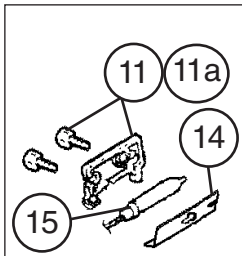
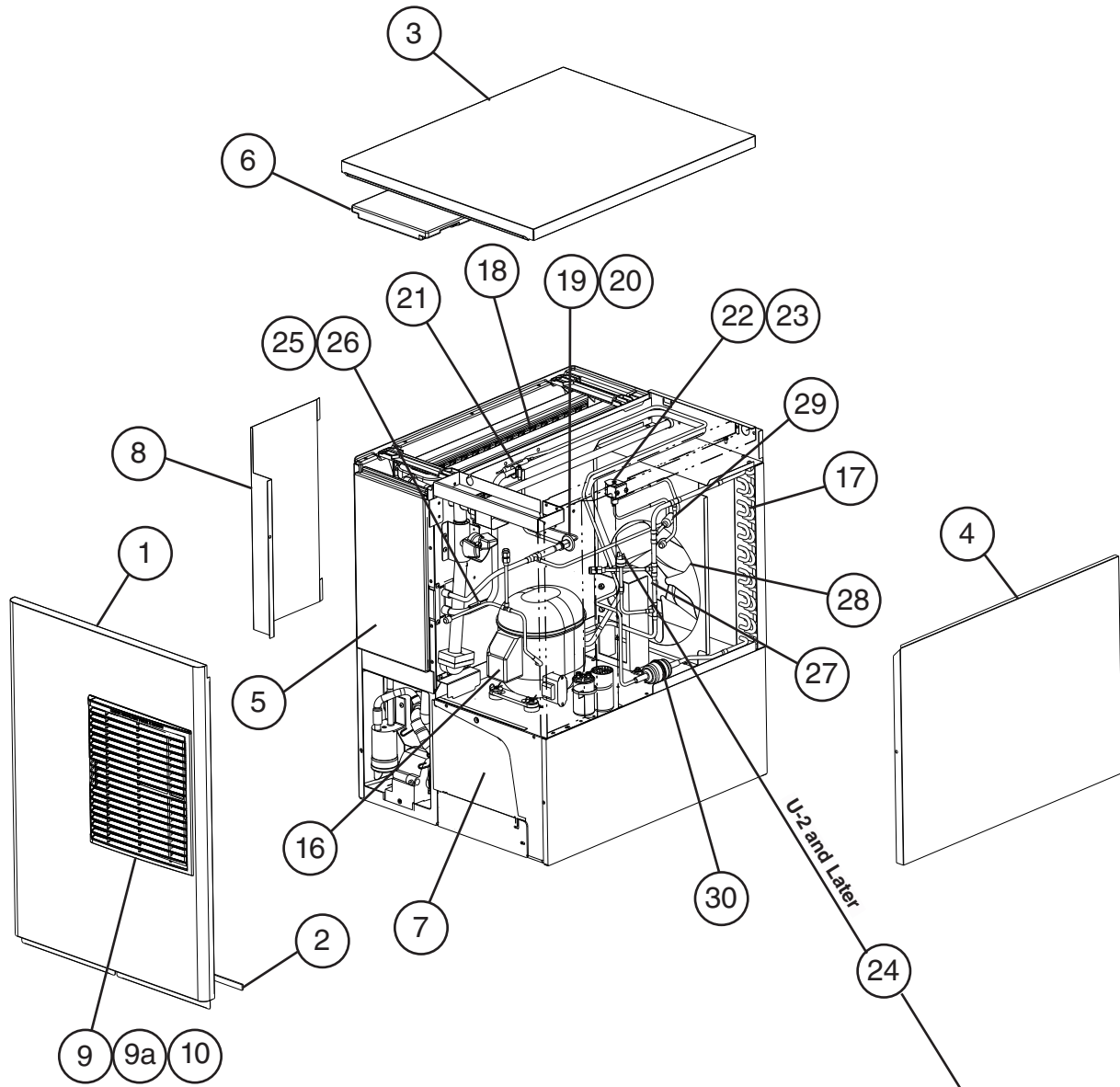
Note About Ordering Parts

Most assemblies cannot be ordered as complete units; parts in the assemblies generally must be ordered separately.

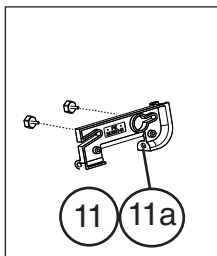
A. Main Assembly & Refrigeration Circuit

KM-320MAH

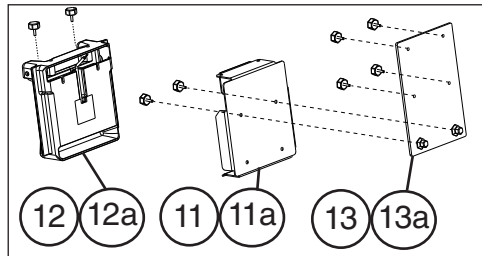
Q-0 to E-0



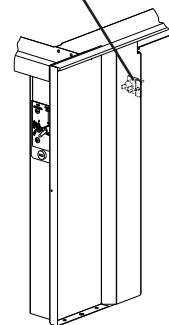
Q-0, R-1



S-1 to U-0



U-1 and Later



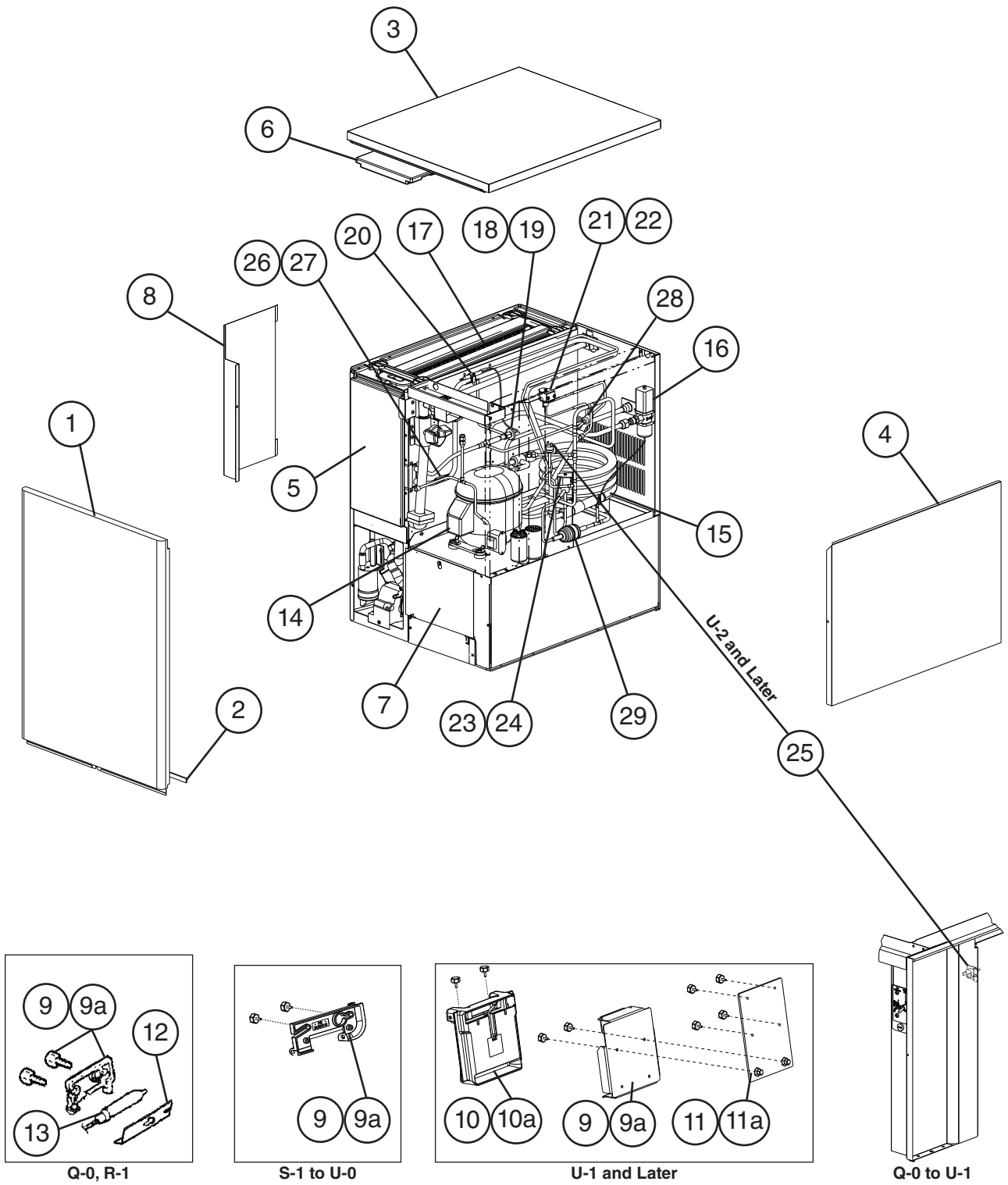
Q-0 to U-1

Title: A. Main Assembly & Refrigeration Circuit Model: KM-320MAH												
Index No.	Description	Material or Model Number	Part Number	Required Number								
				Q-0 R-1	S-1 to U-0	U-1	U-2 to C-0	C-1 to E-0				
Main Assembly												
1	Front Panel		2A2141G01	1	1	1	1	1				
2	Gasket	L=554 mm	4A0808L02	1	1	1	1	1				
3	Top Panel		3A1890A01	1	1	1	1	1				
4	Right Side Panel		2A2117G01	1	1	1	1	1				
5	Front Insulation		215731G01	1	1	1	1	1				
6	Top Insulation		215730G01	1	1	1	1	1				
7	Base Cover		321525G01	1	1	1	1	1				
8	Control Box Cover		3A2476-01	1	1	1	1	1				
9	Louver		1A0547-01	1	1	1	1	1				
9a	Push Retainer		4A2414-01	3	3	3	3	3				
10	Air Filter		2A2062G01	1	1	1	1	1				
11	Bulb Holder		328919-01	1	-							
			3A3903-01		1	-						
	Mechanical Bin Control Switch Mount		3A4463-01			1	1	-				
			3A6040-01						1			
11a	Thumbscrew		415949G11		2	-						
			415949G10			2	2	2				
12	Mechanical Bin Control		2A4393G01			1	1	1				
12a	Thumbscrews		415949G10			2	2	2				
13	Mechanical Bin Control Extension Bracket		4A5046G01			1	1	1				
13a	Thumbscrew		415949G10			4	4	4				
14	Deflector		4A1951-01	1	-							
15	Spacer		443545-01	1	-							
Refrigeration Circuit												
16	Compressor		4A2456-01	1	1	1	1	1				
17	Condenser		2A3476-01	1	1	1	1	1				
18	Evaporator		2A3526G01	1	1	1	1	1				
19	Thermostatic Expansion Valve		4A1414-01	1	1	1	1	1				
20	Thermostatic Expansion Cover		3A0944-01	1	1	1	1	1				
21	Thermostatic Expansion Valve Holder		3A0107-01	1	1	1	1	1				
22	Hot Gas Valve Body		3U0151-01	1	1	1	1	1				
23	Valve Coil		3U0151F01	1	1	1	1	1				
24	High-Pressure Switch		433441-07	1	1	1	-					
			463180-04				1	1				
25	Thermistor		429006-03	1	1	1	1	1				
26	Thermistor Holder		427430-01	1	1	1	1	1				
27	Fan Motor		4A3158-01	1	1	1	1	1				
28	Fan Blade		444898-01	1	1	1	1	1				
29	Strainer		441569-01	1	1	1	1	1				
30	Drier		4A2666-01	1	1	1	1	1				

A. Main Assembly & Refrigeration Circuit

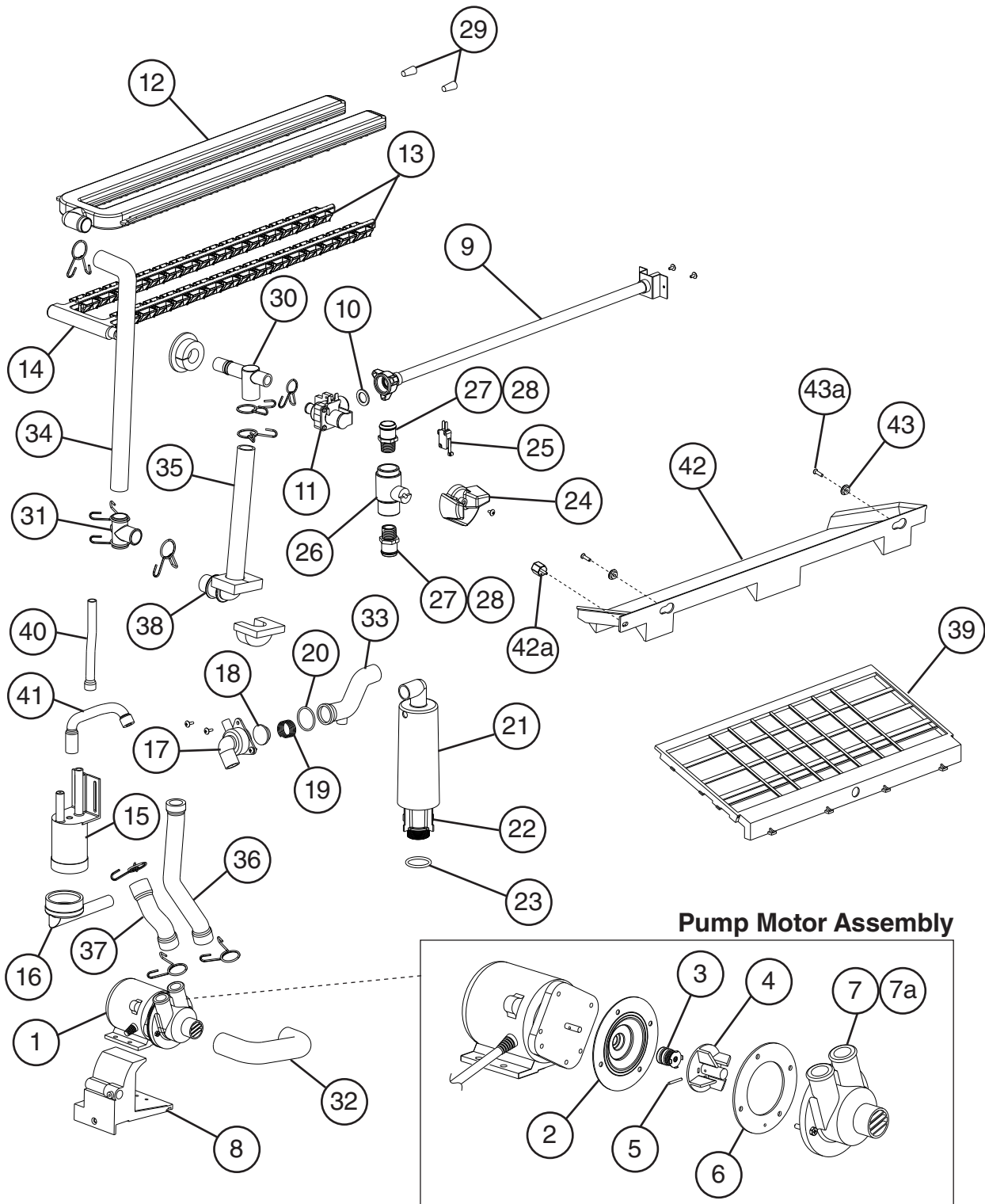
KM-320MWH

Q-0 to E-0



Title: A. Main Assembly & Refrigeration Circuit Model: KM-320MWH												
Index No.	Description	Material or Model Number	Part Number	Required Number								
				Q-0 R-1	S-1 to U-0	U-1	U-2 to C-0	C-1	C-2 to E-0			
Main Assembly												
1	Front Panel		2A2150G01	1	1	1	1	1	1			
2	Gasket	L=554 mm	4A0808L02	1	1	1	1	1	1			
3	Top Panel		3A1890A01	1	1	1	1	1	1			
4	Right Side Panel		2A2117G01	1	1	1	1	1	1			
5	Front Insulation		215731G01	1	1	1	1	1	1			
6	Top Insulation		215730G01	1	1	1	1	1	1			
7	Base Cover		321525G01	1	1	1	1	1	1			
8	Control Box Cover		3A2476-01	1	1	1	1	1	1			
9	Bulb Holder Mechanical Bin Control Switch Mount		328919-01	1	-							
			3A3903-01		1	-						
			3A4463-01			1	1	-				
			3A6040-01					1	1			
9a	Thumbscrew		415949G11		2	-						
			415949G10			2	2	2	2			
10	Mechanical Bin Control		2A4393G01			1	1	1	1			
10a	Thumbscrew		415949G10			2	2	2	2			
11	Mechanical Bin Control Extension Bracket		4A5046G01			1	1	1	1			
11a	Thumbscrew		415949G10			4	4	4	4			
12	Deflector		4A1951-01	1	-							
13	Spacer		443545-01	1	-							
Refrigeration Circuit												
14	Compressor		4A2456-01	1	1	1	1	1	1			
15	Condenser		2A2359G01	1	1	1	1	1	-			
			3A7321-01						1			
16	Water Regulator		4A0911-06	1	1	1	1	1	1			
17	Evaporator		2A3526G01	1	1	1	1	1	1			
18	Thermostatic Expansion Valve		4A1414-01	1	1	1	1	1	1			
19	Thermostatic Expansion Valve Cover		3A0944-01	1	1	1	1	1	1			
20	Thermostatic Expansion Valve Holder		3A0107-01	1	1	1	1	1	1			
21	Hot Gas Valve Body		3U0151-01	1	1	1	1	1	1			
22	Valve Coil		3U0151F01	1	1	1	1	1	1			
23	Liquid Line Valve Body		4A3276-01	1	1	1	1	1	1			
24	Valve Coil		4A3277-01	1	1	1	1	1	1			
25	High-Pressure Switch		433441-05	1	1	1	-					
			463180-05				1	1	1			
26	Thermistor		429006-03	1	1	1	1	1	1			
27	Thermistor Holder		427430-01	1	1	1	1	1	1			
28	Strainer		441569-01	1	1	1	1	1	1			
29	Drier		4A2666-01	1	1	1	1	1	1			

B. Water Circuit
KM-320M_H
 Q-0 to E-0



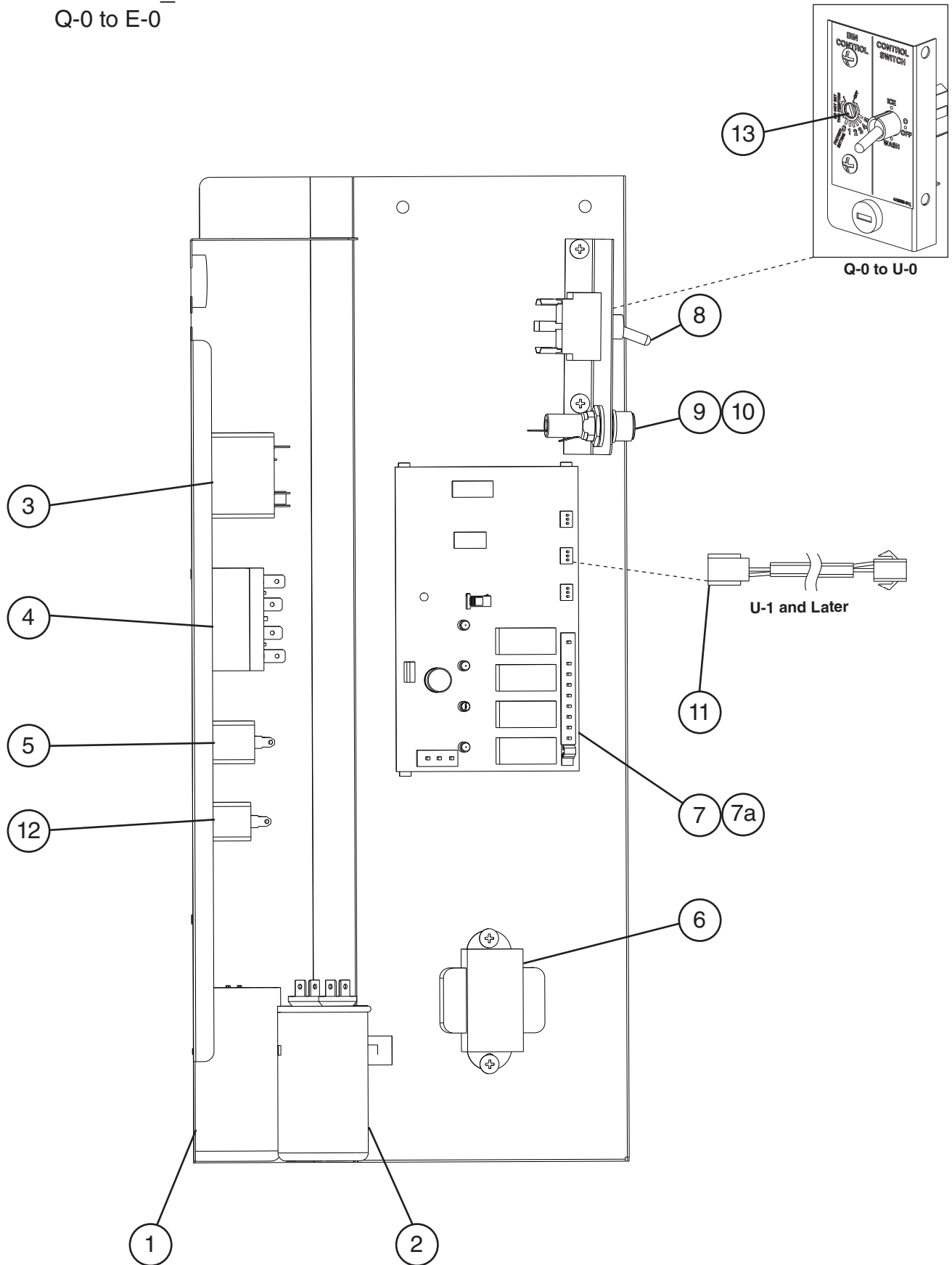
Title: B. Water Circuit Model: KM-320M_H												
Index No.	Description	Material or Model Number	Part Number	Required Number								
				Q-0	R-1 to D-0	D-1 to E-0						
1	Pump Motor Assembly (includes items 2-7a)	PA0613	3A2638A03	1	1	1						
2	Pump Flange		3A2974-01	1	-							
			3A2988-01		1	1						
3	Mechanical Seal		465627-01	1	1	1						
4	Impeller		433522-01	1	1	1						
5	Pin		4A0648-01	1	1	1						
6	Pump Gasket		4A2974-01	1	1	1						
7	Pump Housing		211409-01	1	1	1						
7a	Screw		4A3871-01	4	4	4						
8	Pump Motor Bracket		211408-01	1	1	1						
9	Water Supply Pipe		4A5216G04	1	1	1						
10	Rubber Gasket		413854-03	1	1	1						
11	Inlet Water Valve		3U0150-01	1	1	-						
			3U0111-04			1						
12	Spray Tube		1A0260-02	1	1	1						
13	Spray Guide		208586-01	6	6	6						
14	Water Supply Tube		2A0079-01	1	1	1						
15	Float Switch		4A3624-01	1	1	1						
16	Float Switch Connector		426799-01	1	1	1						
17	Drain Valve Housing		321001-01	1	1	1						
18	Drain Valve Seat		433705-01	1	1	1						
19	Drain Valve Spring		322110-01	1	1	1						
20	Drain Valve O-Ring		7611-G035	1	1	1						
21	Overflow Cap		321002-01	1	1	1						
22	Overflow Pipe		430722-08	1	1	1						
23	Overflow Pipe O-Ring		4A1234-01	1	1	1						
24	Cleaning Valve Handle		215383-01	1	1	1						
25	Cleaning Valve Microswitch		4A2546-01	1	1	1						
26	Cleaning Valve Ball Valve		439293-01	1	1	1						
27	Cleaning Valve Male Adaptor		325826-01	2	2	2						
28	Cleaning Valve O-Ring		7611-P018	2	Replaced with thread sealant tape							
29	Spray Tube Plug		4A0176-01	2	2	2						
30	Tee		4A0177-01	1	1	1						
31	Distributor		432426-01	1	1	1						
32	Suction House		433466-01	1	1	1						
33	Drain Hose		433468-01	1	1	1						
34	Rubber Hose		4A1551-03	1	1	1						
35	Rubber Hose		4A1551-04	1	1	1						
36	Vinyl Hose	L=250 mm	7716-2025	1	1	1						
37	Vinyl Hose	L=110 mm	7716-2025	1	1	1						
38	Rubber Ring		439236-01	1	1	1						
39	Cube Guide		212088-01	1	1	1						
40	Silicone Hose	L=140 mm	773013812	1	1	1						
41	Silicone Hose	L=140 mm	773013896	1	1	1						

Title: B. Water Circuit Model: KM-320M_H											
Index No.	Description	Material or Model Number	Part Number	Required Number							
				Q-0	R-1 to D-0	D-1 to E-0					
42	Deflector A		3A3500-01	1	1	1					
42a	Thumbscrew		415949G12	1	1	1					
43	Collar		435269-01	2	2	2					
43a	Flat Head T2 Screw	4x16	7P22-0416	2	2	2					
	Hose Clamp	25 mm	427443-03	9	9	9					
	Hose Clamp	18 mm	427443-05	1	1	1					
	Hose Clamp	20 mm	427443-03	1	1	1					

C. Control Box Assembly

KM-320M_H

Q-0 to E-0

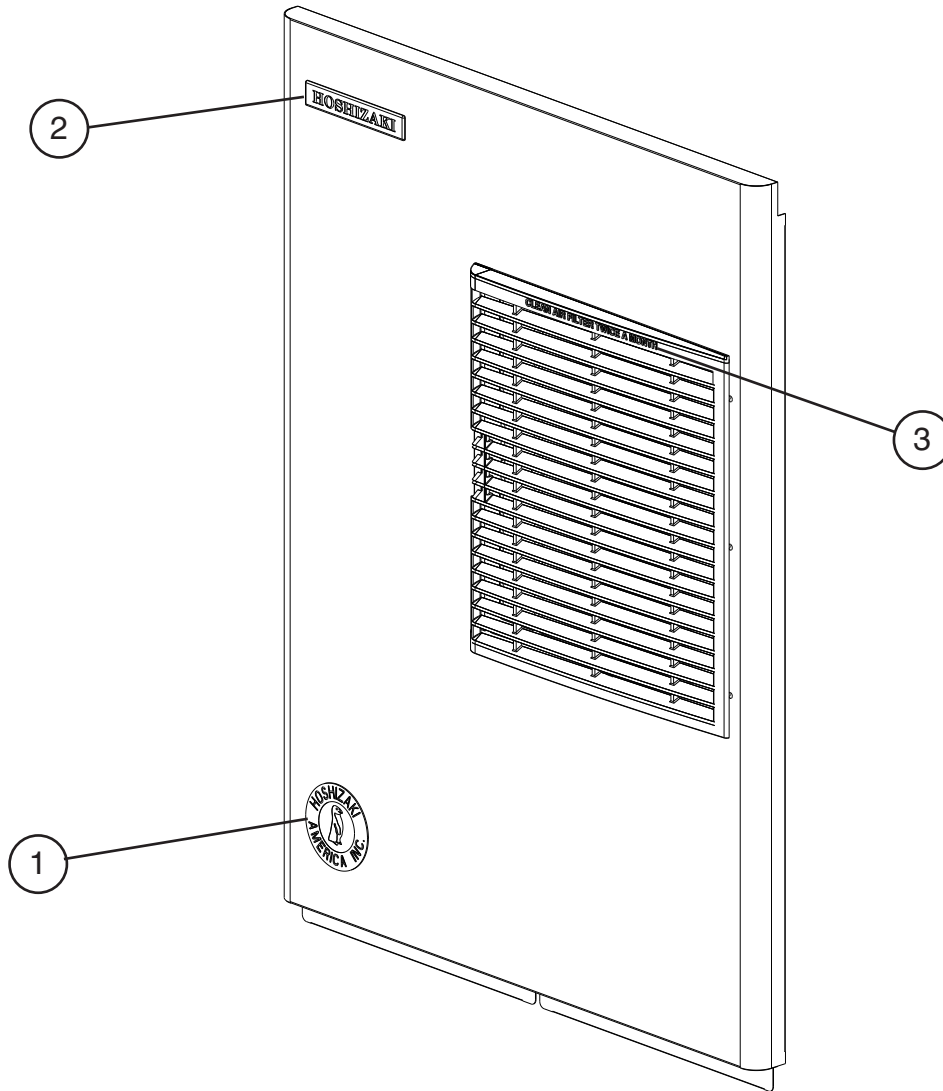


Title: C. Control Box Assembly Model: KM-320M_H											
Index No.	Description	Material or Model Number	Part Number	Required Number							
				Q-0 to U-0	U-1 to V-1	V-2 to E-0					
1	Start Capacitor	330VAC, 72-86 MFD	3A1414-01	1	1	1					
2	Run Capacitor	440VAC, 20 MFD	3A2005-01	1	1	1					
3	Start Relay		4A1107-14	1	1	1					
4	Magnetic Contactor		428393-01	1	1	-					
	Compressor Relay		4A3140-01			1					
5	Pump Motor Capacitor	5.5 MFD, 250VAC	443192-03	1	1	1					
6	Control Transformer		3A0172-01	1	1	1					
7	Control Board	"E" Control Board	2A1410-01	1	-						
		"G" Control Board	2A3792-01		1	1					
7a	Control Board Support		4A0336-03	4	4	4					
8	Control Switch		443119-01	1	1	1					
9	Fuse Holder		4A5443-01	1	1	1					
10	Fuse	AGC-10A, 250VAC	4A0893-07	1	1	1					
11	Mechanical Bin control Wire Harness		4A2200G04		1	1					
12	Fan Motor Capacitor	KM-320MAH 5 MFD, 250VAC	443192-02	1	1	1					
13	Bin Control Thermostat		4A2879-02	1	-						

D. Accessories & Labels

KM-320M_H

Q-0 to E-0



Title: D. Accessories & Labels		Model: KM-320M_H		Required Number							
Index No.	Description	Material or Model Number	Part Number	Q-0	E-0						
				(A)	(B)						
1	Penguin Label		4A0526-01	1	1						
2	Hoshizaki Emblem		4A0560-01	1	1						
3	Air Filter Label		426177-01	1	-						
4	Universal Brace		4A0363-01	2	2						
4a	Hex Head Bolt	5x12, SS	7B02-0512	4	4						