



HOSHIZAKI

Parts List

Modular Crescent Cuber

Models

KM-515MAH, MWH, MRH



hoshizakiamerica.com

Number: 71274
Issued: 1-28-2008
Revised: 4-21-2020

CONTENTS

Auxiliary Codes.....	3
Note About Ordering Parts	4
A. Main Assembly & Refrigeration Circuit	5
KM-515MAH	5
KM-515MWH.....	7
KM-515MRH.....	9
B. Water Circuit	11
C. Control Box Assembly	14
D. Accessories & Labels	16

Auxiliary Codes

KM-515MAH

S-0 October 2007
T-0 April 2008
U-1 January 2009
U-2 February 2009
U-3 August 2009
V-0 January 2010
V-1 March 2010
V-2 April 2010
V-3 August 2010
A-0 January 2011
B-0 January 2012
B-1 March 2012
C-0 January 2013
C-1 May 2013
C-2 October 2013
D-0 January 2014
D-1 December 2014
E-0 January 2015
F-0 January 2016
G-0 January 2017
G-1 August 2017

KM-515MWH

S-0 November 2007
T-0 February 2008
U-1 January 2009
U-2 February 2009
U-3 August 2009
V-0 January 2010
V-1 March 2010
V-2 April 2010
V-3 August 2010
A-0 January 2011
B-0 January 2012
B-1 May 2012
C-0 January 2013
C-1 April 2013
C-2 May 2013
C-3 October 2013
D-0 January 2014
D-1 December 2014
E-0 January 2015
F-0 January 2016
G-0 January 2017
G-1 August 2017

KM-515MRH

S-0	October 2007
T-0	May 2008
T-1	October 2008
U-1	January 2009
U-2	February 2009
U-3	August 2009
V-0	January 2010
V-1	March 2010
V-3	August 2010
A-0	January 2011
B-0	January 2012
B-1	May 2012
C-0	January 2013
C-1	May 2013
D-0	January 2014
D-1	June 2014
D-2	December 2014
E-0	January 2015
F-0	January 2016
G-0	January 2017
G-1	August 2017

Auxiliary Code Breakdown

The auxiliary code is the first two characters in the serial number. The first character indicates the year. Years progress or regress in alphabetical order. The series runs from "A" through "V" and the letters "I" and "O" are skipped. The second character indicates significant part changes within a year. Base is "0" and this number advances for each change. In cases where there is a letter in parentheses, this designates the month. This is the last character in the serial number. The series runs from "(A)" through "(M)" and the letter "(I)" is skipped. This designation is only included when identifying a parts change within an auxiliary code.

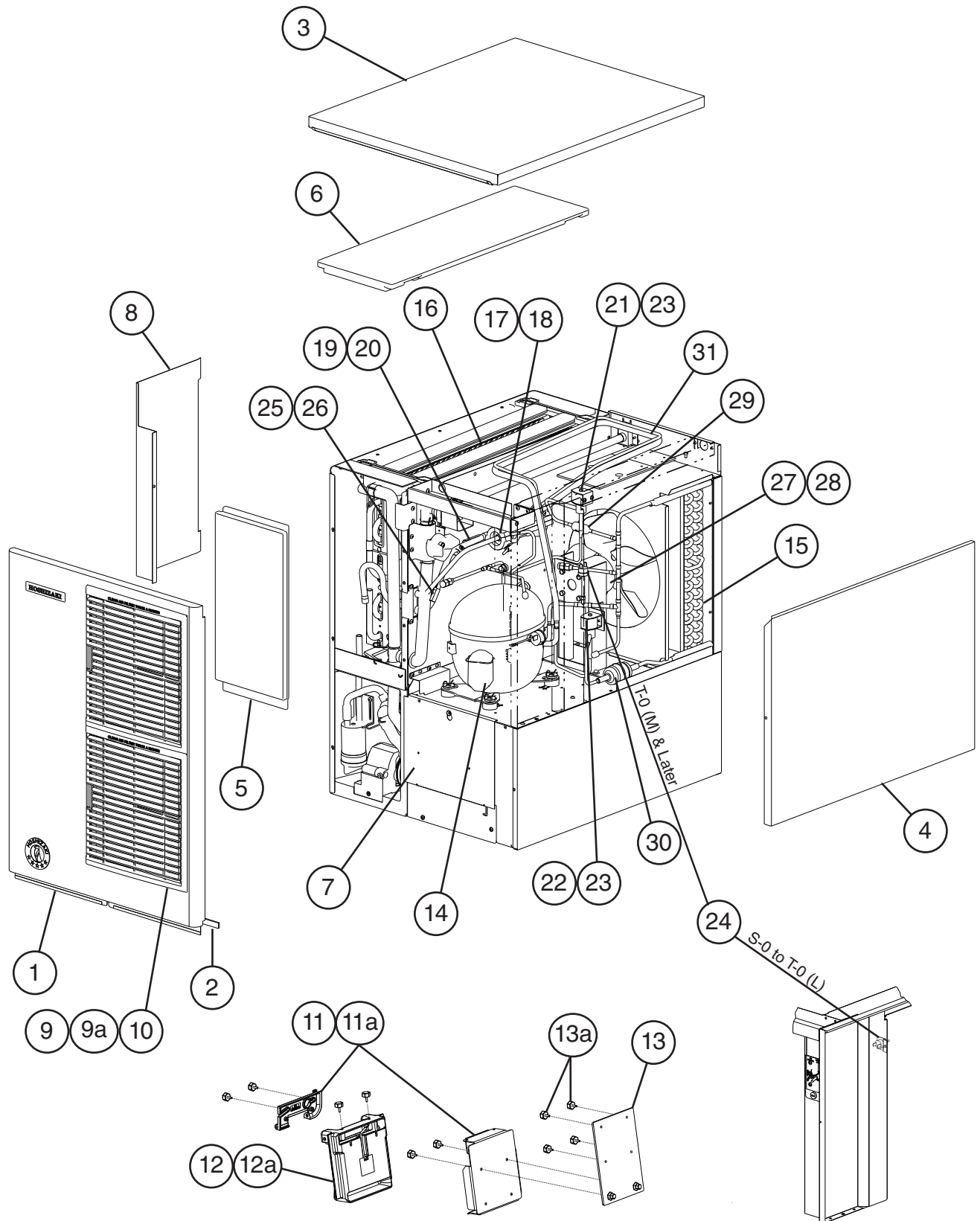
Note About Ordering Parts

Most assemblies cannot be ordered as complete units; parts in the assemblies generally must be ordered separately.

A. Main Assembly & Refrigeration Circuit

KM-515MAH

S-0 to G-1



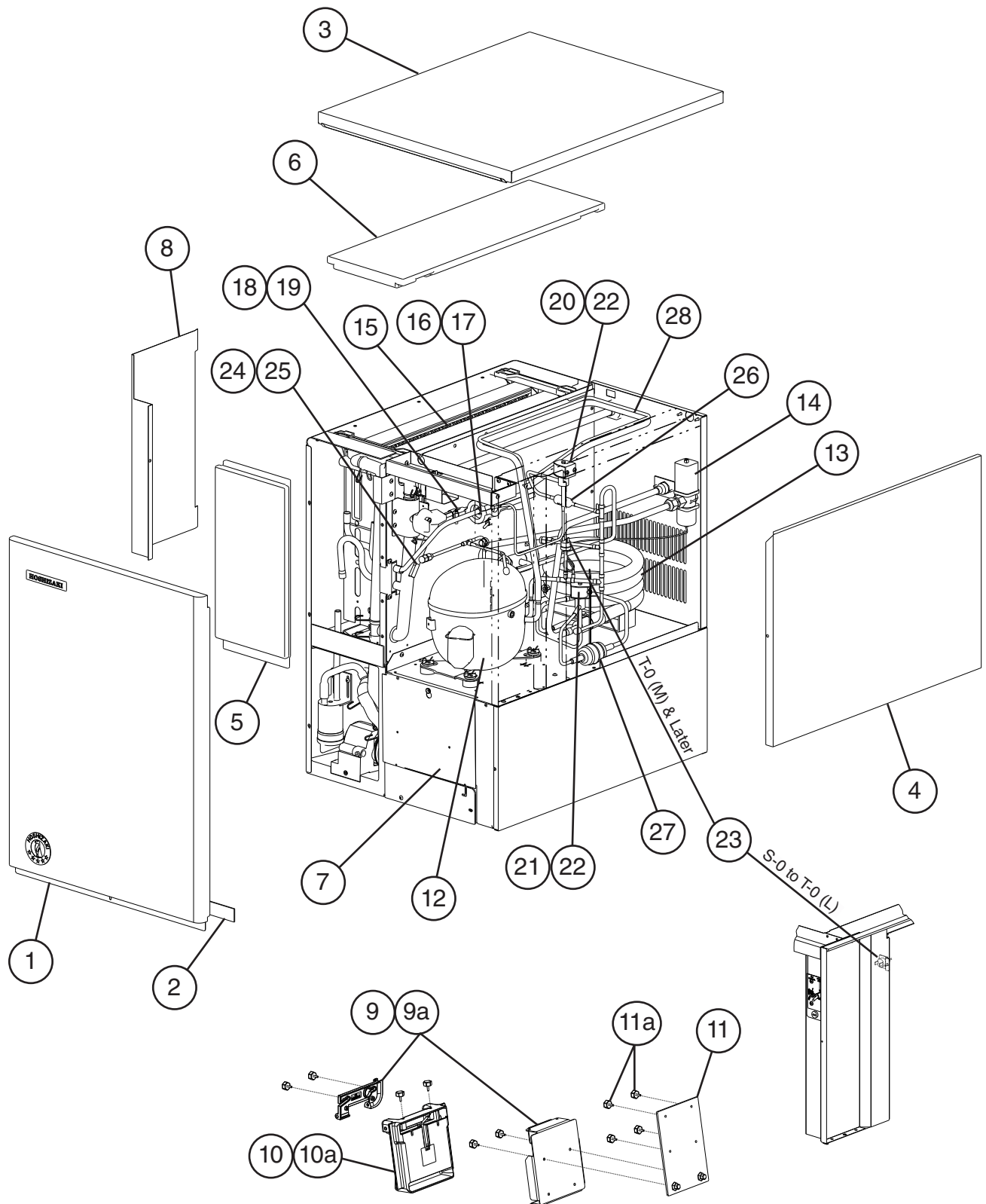
Title: A. Main Assembly & Refrigeration Circuit Model: KM-515MAH

Index No.	Description	Material or Model Number	Part Number	Required Number										
				S-0 to T-0 (L)	T-0 (M) to U-1	U-2 to B-0	B-1 to C-0	C-1 to G-1						
Main Assembly														
1	Front Panel		2A3767G01	1	1	1	1	1						
2	Gasket	L=554 mm	4A0808L02	1	1	1	1	1						
3	Top Panel		3A3878A01	1	1	1	1	1						
4	Right Side Panel		2A2117G01	1	1	1	1	1						
5	Front Insulation		215731G01	1	1	1	1	1						
6	Top Insulation		215730G01	1	1	1	1	1						
7	Base Cover		321525G01	1	1	1	1	1						
8	Control Box Cover		3A2476-01	1	1	1	1	1						
9	Louver		1A0547-01	2	2	2	2	2						
9a	Push Retainer		4A2414-01	6	6	6	6	6						
10	Air Filter		2A2062G01	2	2	2	2	2						
11	Bulb Holder		3A3903-01	1	1	-								
	Mechanical Bin Control Switch Mount		3A4463-01			1	1	-						
			3A6040-01						1					
11a	Thumbscrew		415949G11	2	2	-								
			415949G10			2	2	2						
12	Mechanical Bin Control		2A4393G01			1	1	1						
12a	Thumbscrew		415949G10			2	2	2						
13	Mechanical Bin Control Extension Bracket		4A5046G01			1	1	1						
13a	Thumbscrew		415949G10			4	4	4						
Refrigeration Circuit														
14	Compressor		4A4376-01	1	1	1	1	1						
15	Condenser		2A3756-01	1	1	1	1	1						
16	Evaporator		106492G01	1	1	1	-							
			1A2357G01				1	1						
17	Thermostatic Expansion Valve		4A4008-01	1	1	1	1	1						
18	Thermostatic Expansion Valve Cover		3A0944-01	1	1	1	1	1						
19	Thermostatic Expansion Valve Bulb Holder		3A0107-01	1	1	1	1	1						
20	Clamp		443461-02	1	1	1	1	1						
21	Hot Gas Valve Body		4A3978-01	1	1	1	1	1						
22	Liquid Line Valve Body		4A3276-01	1	1	1	1	1						
23	Valve Coil		4A3277-01	2	2	2	2	2						
24	High-Pressure Switch		433441-07	1	-									
			463180-04		1	1	1	1						
25	Thermistor		429006-03	1	1	1	1	1						
26	Thermistor Holder		427430-01	1	1	1	1	1						
27	Fan Motor		4A3158-01	1	1	1	1	1						
28	Fan Blade		4A3959-01	1	1	1	1	1						
29	Strainer		441569-01	1	1	1	1	1						
30	Drier		4A2666-01	1	1	1	1	1						
31	Heat Exchanger		2A4382G01	1	1	1	1	1						

A. Main Assembly & Refrigeration Circuit

KM-515MWH

S-0 to G-1

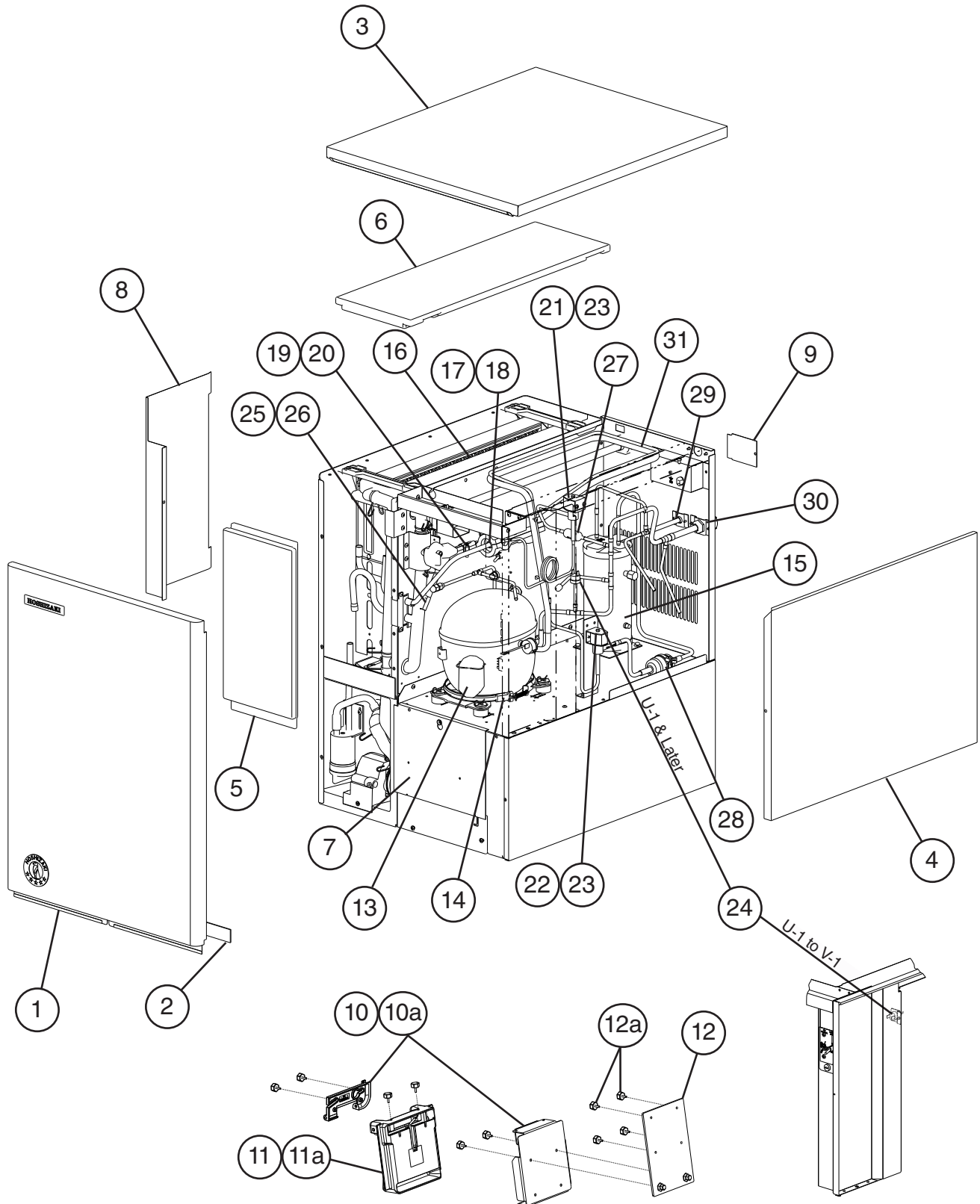


Title: A. Main Assembly & Refrigeration Circuit Model: KM-515MWH													
Index No.	Description	Material or Model Number	Part Number	Required Number									
				S-0 to T-0 (L)	T-0 to U-1	U-2 to C-0	C-1	C-2 to G-1					
Main Assembly													
1	Front Panel		2A2150G01	1	1	1	1	1					
2	Gasket	L=554 mm	4A0808L02	1	1	1	1	1					
3	Top Panel		3A3878A01	1	1	1	1	1					
4	Right Side Panel		2A2117G01	1	1	1	1	1					
5	Front Insulation		215731G01	1	1	1	1	1					
6	Top Insulation		215730G01	1	1	1	1	1					
7	Base Cover		321525G01	1	1	1	1	1					
8	Control Box Cover		3A2476-01	1	1	1	1	1					
9	Bulb Holder		3A3903-01	1	1	-							
	Mechanical Bin Control Switch Mount		3A4463-01			1	1	-					
			3A6040-01						1				
9a	Thumbscrew		415949G11	2	2	-							
			415949G10			2	2	2					
10	Mechanical Bin Control		2A4393G01			1	1	1					
10a	Thumbscrew		415949G10			2	2	2					
11	Mechanical Bin Control Extension Bracket		4A5046G01			1	1	1					
11a	Thumbscrew		415949G10			4	4	4					
Refrigeration Circuit													
12	Compressor		4A4376-01	1	1	1	1	1					
13	Condenser	HS-0160	2A2359G01	1	1	1	-						
			3A7321-01				1	1					
14	Water Regulating Valve		4A0911-06	1	1	1	1	1					
15	Evaporator		106492G01	1	1	1	1	1					
16	Thermostatic Expansion Valve		4A4008-01	1	1	1	1	1					
17	Thermostatic Expansion Valve Cover		3A0944-01	1	1	1	1	1					
18	Thermostatic Expansion Valve Bulb Holder		3A0107-01	1	1	1	1	1					
19	Clamp		443461-02	1	1	1	1	1					
20	Hot Gas Valve Body		4A3978-01	1	1	1	1	1					
21	Liquid Line Valve Body		4A3276-01	1	1	1	1	1					
22	Valve Coil		4A3277-01	2	2	2	2	2					
23	High-Pressure Switch		433441-05	1	-								
			463180-05		1	1	1	1					
24	Thermistor		429006-03	1	1	1	1	1					
25	Thermistor Holder		427430-01	1	1	1	1	1					
26	Strainer		441569-01	1	1	1	1	1					
27	Drier		4A2666-01	1	1	1	1	1					
28	Heat Exchanger		2A4382G01	1	1	1	1	1					

A. Main Assembly & Refrigeration Circuit

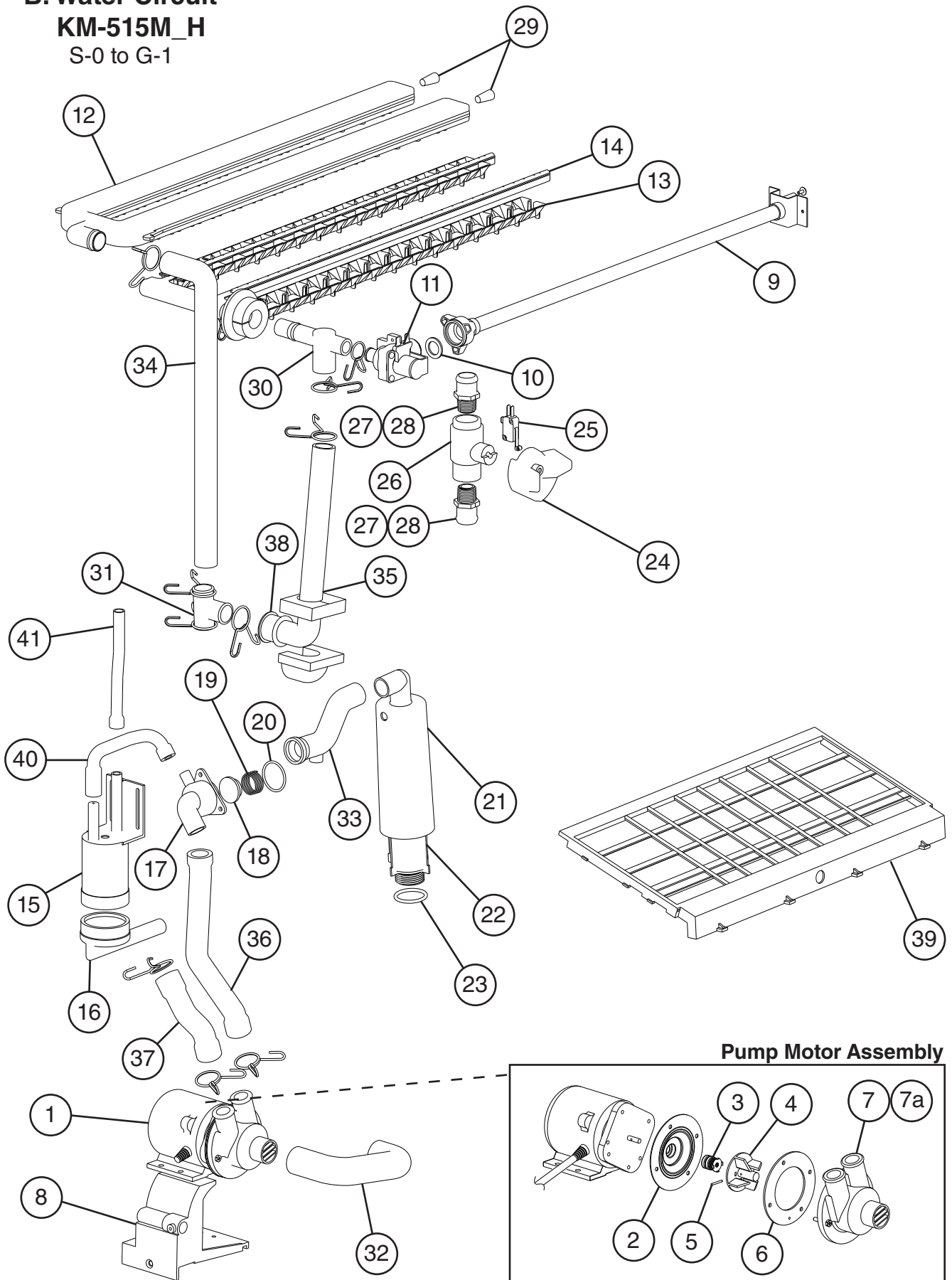
KM-515MRH

S-0 to G-1



Title: A. Main Assembly & Refrigeration Circuit Model: KM-515MRH												
Index No.	Description	Material or Model Number	Part Number	Required Number								
				S-0 to T-1	U-1	U-2 to V-3 (K)	V-3 (L) to C-0	C-1 to G-1				
Ice Cuber Assembly												
1	Front Panel		2A2150G01	1	1	1	1	1				
2	Gasket	L=554 mm	4A0808L02	1	1	1	1	1				
3	Top Panel		3A3878A01	1	1	1	1	1				
4	Right Side Panel		2A2117G01	1	1	1	1	1				
5	Front Insulation		215731G01	1	1	1	1	1				
6	Top Insulation		215730G01	1	1	1	1	1				
7	Base Cover		321525G01	1	1	1	1	1				
8	Control Box Cover		3A2476-01	1	1	1	1	1				
9	Junction Box Cover		433410-01	1	1	1	1	1				
10	Bulb Holder		3A3903-01	1	1	-						
	Mechanical Bin Control Switch Mount		3A4463-01			1	1	-				
			3A6040-01						1			
10a	Thumbscrew		415949G11	2	2	-						
			415949G10			2	2	2				
11	Mechanical Bin Control		2A4393G01			1	1	1				
11a	Thumbscrew		415949G10			2	2	2				
12	Mechanical Bin Control Extension Bracket		4A5046G01			1	1	1				
12a	Thumbscrew		415949G10			4	4	4				
Refrigeration Circuit												
13	Compressor		4A4376-01	1	1	1	1	1				
14	Crankcase Heater		3A4663-01	1	1	1	-					
			4A5091-01				1	1				
15	Receiver Tank		437596-01	1	1	1	1	1				
16	Evaporator		106492G01	1	1	1	1	1				
17	Thermostatic Expansion Valve		4A1414-01	1	1	1	1	1				
18	Thermostatic Expansion Valve Cover		3A0944-01	1	1	1	1	1				
19	Thermostatic Expansion Valve Bulb Holder		3A0107-01	1	1	1	1	1				
20	Clamp		443461-02	1	1	1	1	1				
21	Hot Gas Valve Body		4A3978-01	1	1	1	1	1				
22	Liquid Line Valve Body		4A3276-01	1	1	1	1	1				
23	Valve Coil		4A3277-01	2	2	2	2	2				
24	High-Pressure Switch		433441-07	1	-							
			463180-04		1	1	1	1				
25	Thermistor		429006-03	1	1	1	1	1				
26	Thermistor Holder		427430-01	1	1	1	1	1				
27	Strainer		441569-01	1	1	1	1	1				
28	Drier		4A2666-01	1	1	1	1	1				
29	Liquid Line Coupling		4A3972G01	1	1	1	1	1				
30	Discharge Line Coupling		434136G01	1	1	1	1	1				
31	Heat Exchanger		2A4382G01	1	1	1	1	1				

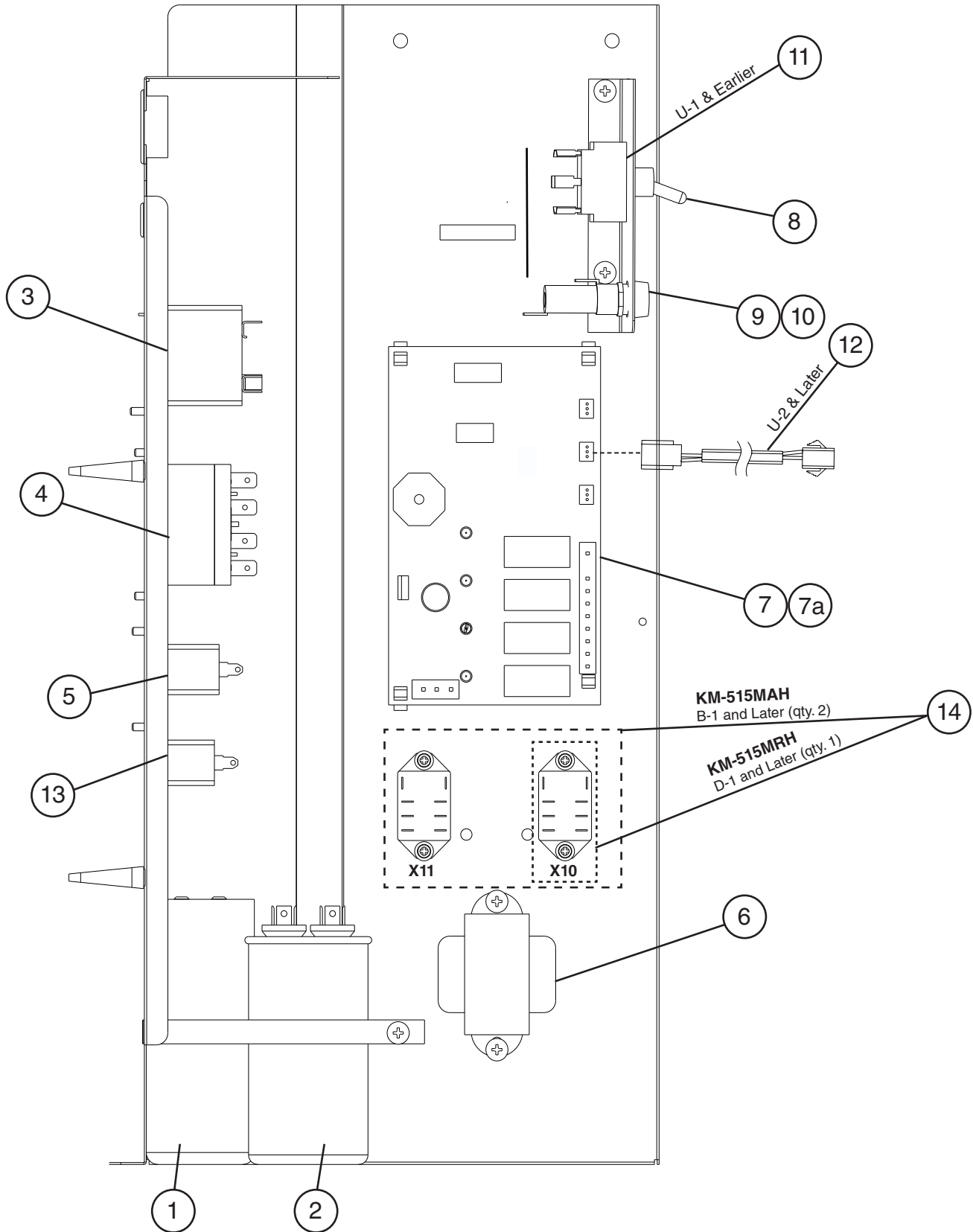
B. Water Circuit
KM-515M_H
 S-0 to G-1



Title: B. Water Circuit Model: KM-515M_H												
Index No.	Description	Material or Model Number	Part Number	Required Number								
				S-0 to V-3	A-0 B-0	B-1 to G-1						
1	Pump Motor Assembly (includes items 2 through 7a)	PA0613	3A2638A03	1	1	1						
2	Pump Flange		3A2988-01	1	1	1						
3	Mechanical Seal		465627-01	1	1	1						
4	Impeller		433522-01	1	1	1						
5	Pin		4A0648-01	1	1	1						
6	Pump Gasket		4A2974-01	1	1	1						
7	Pump Housing		211409-01	1	1	1						
7a	Screw	4x20	4A3871-01	4	4	4						
8	Pump Motor Bracket		211408-01	1	1	1						
9	Water Supply Pipe		4A0768G04	1	-							
			4A5216G04		1	1						
10	Rubber Gasket		413854-03	1	1	1						
11	Inlet Water Valve	KM-515MAH	3U0111-04	1	1	-						
			3U0111-03			1						
		KM-515MWH KM-515MRH	3U0111-04	1	1	1						
12	Spray Tube		1A0260-02	1	1	1						
13	Spray Guide	KM-515MAH	208586-01	6	6	-						
			2A4282-02			2						
		KM-515MWH KM-515MRH	208586-01	6	6	6						
14	Water Supply Tube		2A0079-01	1	1	1						
15	Float Switch		4A3624-01	1	1	1						
16	Float Switch Connector		426799-01	1	1	1						
17	Drain Valve Housing		321001-01	1	1	1						
18	Drain Valve Seat		433705-01	1	1	1						
19	Drain Valve Spring		322110-01	1	1	1						
20	Drain Valve O-Ring		7611-G035	1	1	1						
21	Overflow Cap		321002-01	1	1	1						
22	Overflow Pipe		430722-03	1	1	1						
23	Overflow Pipe O-Ring		4A1234-01	1	1	1						
24	Cleaning Valve Handle		215383-01	1	1	1						
25	Cleaning Valve Microswitch		4A2546-01	1	1	1						
26	Cleaning Valve Ball Valve		439293-01	1	1	1						
27	Cleaning Valve Male Adaptor		325826-01	2	2	2						
28	Cleaning Valve O-Ring		7611-P018	2	Replaced with thread sealant tape							
29	Spray Tube Plug		4A0176-01	2	2	2						
30	Tee		4A0177-01	1	1	1						
31	Distributor		432426-01	1	1	1						
32	Suction Hose		433466-01	1	1	1						
33	Drain Hose		433468-01	1	1	1						
34	Rubber Hose C		4A1551-03	1	1	1						
35	Rubber Hose D		4A1551-04	1	1	1						
36	Vinyl Hose	L=250 mm	7716-2025	1	1	1						
37	Vinyl Hose	L=110 mm	7716-2025	1	1	1						
38	Rubber Ring		439236-01	1	1	1						
39	Cube Guide		212088-01	1	1	1						

Title: B. Water Circuit Model: KM-515M_H											
Index No.	Description	Material or Model Number	Part Number	Required Number							
				S-0 to V-3	A-0 B-0	B-1 to G-1					
40	Silicone Hose	L=140 mm	773013896	1	1	1					
41	Silicone Hose	L=140 mm	773013812	1	1	1					
	Hose Clamp	25 mm	427443-03	9	9	9					
	Hose Clamp	18 mm	427443-05	1	1	1					
	Hose Clamp	20 mm	427443-06	1	1	1					

C. Control Box Assembly
KM-515M_H
 S-0 to G-1

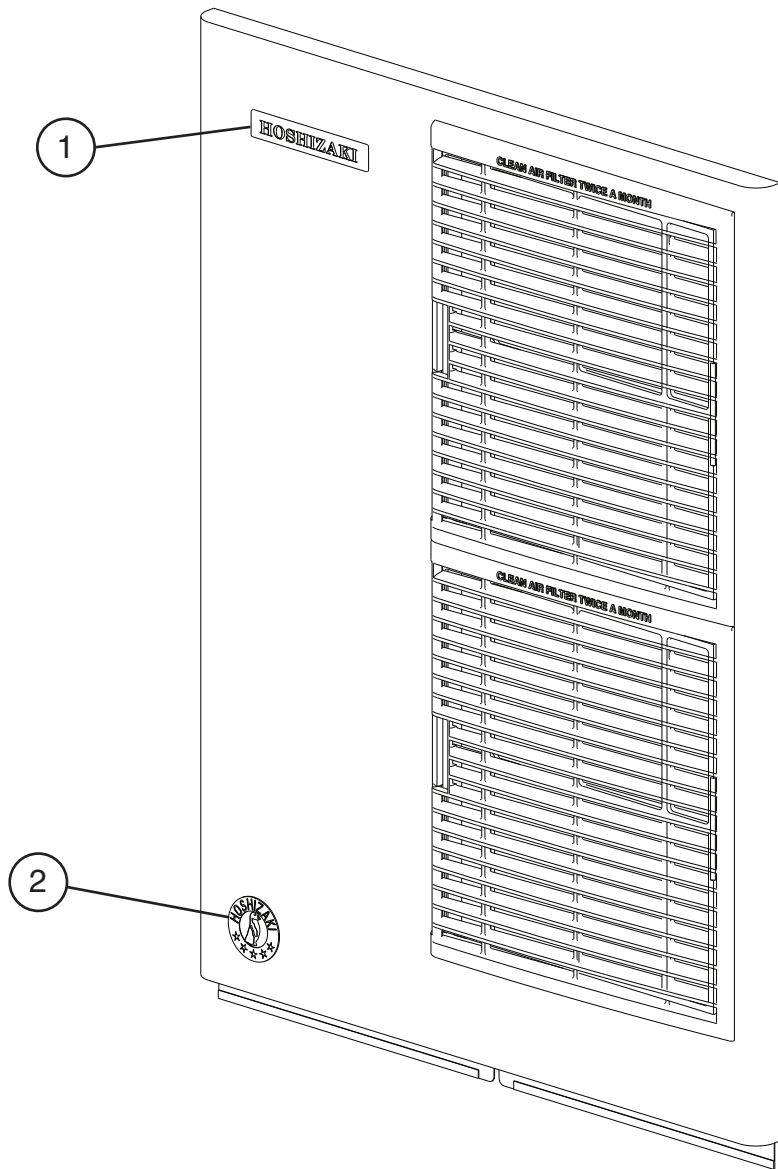


Title: C. Control Box Assembly Model: KM-515M_H												
Index No.	Description	Material or Model Number	Part Number	Required Number								
				S-0 to U-1	U-2 to V-1	V-2 to B-0	B-1 to D-0	D-1 to G-1				
1	Start Capacitor	243-292MFD, 165V	3A0076-20	1	1	1	1	1				
2	Run Capacitor	35MFD, 440VAC	3A2005-12	1	1	1	1	1				
3	Start Relay (Starter)		4A1107-11	1	1	1	1	1				
4	Magnetic Contactor	KM-515MAH	428393-01	1	1	-						
	Compressor Relay	KM-515MWH	4A3140-01			1	1	1				
	Magnetic Contactor	KM-515MRH	428393-01	1	1	-						
	Compressor Relay		4A5096-01			1	1	-				
			4A3140-01					1				
5	Pump Motor Capacitor	5.5MFD, 250VAC	443192-03	1	1	1	1	1				
6	Control Transformer		3A0172-01	1	1	1	1	1				
7	Control Board	"E" Board	2A1410-01	1	-							
		"G" Board	2A3792-01		1	1	1	1				
7a	Control Board Support		4A0336-03	4	4	4	4	4				
8	Control Switch		443119-01	1	1	1	1	1				
9	Fuse Holder		4A5443-01	1	1	1	1	1				
10	Fuse	AGC-10A, 250VAC	4A0893-07	1	1	1	1	1				
11	Bin Control Thermostat		4A2879-01	1	-							
12	Mechanical Bin Control Wire Harness		4A2200G04		1	1	1	1				
13	Fan Motor Capacitor	KM-515MAH 5MFD, 250VAC	443192-02	1	1	1	1	1				
14	Harvest Pump Timer Relays (X10 = Pump Direction Relay, X11 = X10 Control Relay)	KM-515MAH	406132-07				2	2				
	Crankcase Heater Relay (X10)	KM-515MRH	406132-07					1				

D. Accessories & Labels

KM-515M_H

S-0 to G-1



Title: D.Accessories & Labels		Model: KM-515M_H		Required Number								
Index No.	Description	Material or Model Number	Part Number	S-0 to G-1								
1	Hoshizaki Emblem Label		4A0560-01	1								
2	Penguin Label		475552L02	1								
3	Universal Brace		4A0363-01	2								
3a	Hex Head Bolt	5x12, SS	7B02-0512	2								